

Model 1008 RepeatAir™ CO₂ Pellet Pistol
OWNER'S MANUAL



**READ ALL INSTRUCTIONS AND WARNINGS IN THIS
MANUAL BEFORE USING THIS AIRGUN.**

CONGRATULATIONS!

And thank you for choosing Crosman AirGuns Model 1008 RepeatAir™ CO₂ Pellet air pistol. The RepeatAir includes many up-to-date features which will mean easier handling, greater accuracy and more enjoyment for you.

- Convenience of CO₂ power.
- Pivoting barrel for easy loading and cleaning.
- Rifled steel barrel for accuracy.
- Single or double action.

To get the most enjoyment from your new airgun, please read this Owner's Manual completely. And remember, the Model 1008 is not a toy. Treat it with the same respect you would a firearm. Always carefully follow the safety instructions found in this Owner's Manual and keep this manual in a safe place for future use.

Thank you for choosing a Crosman airgun.

⚠️ WARNING: NOT A TOY. ADULT SUPERVISION REQUIRED. MISUSE OR CARELESS USE MAY CAUSE SERIOUS INJURY OR DEATH. MAY BE DANGEROUS UP TO 400 YARDS (366 METERS).
READ ALL INSTRUCTIONS BEFORE USING.
BUYER AND USER HAVE THE DUTY TO OBEY ALL LAWS ABOUT THE USE AND OWNERSHIP OF THIS AIRGUN.

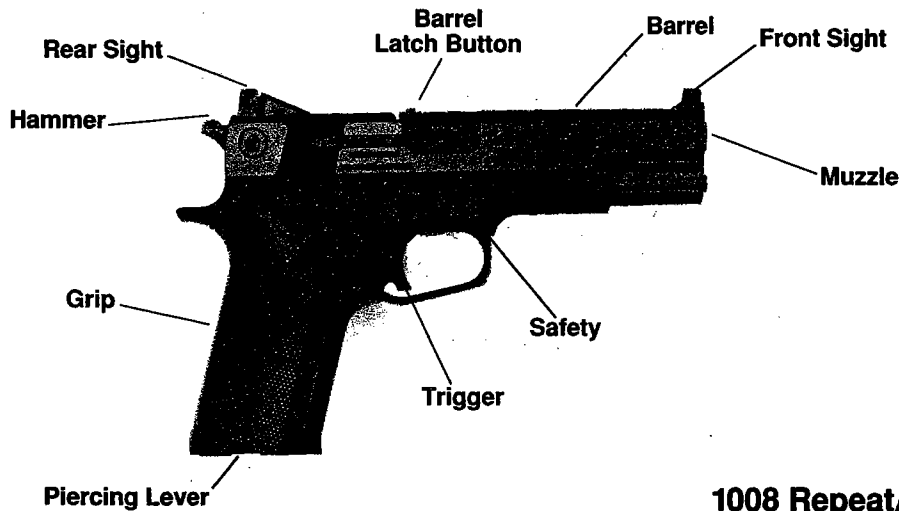
THIS AIRGUN IS INTENDED FOR USE BY THOSE 16 YEARS OF AGE OR OLDER.

STEPS FOR SAFE SHOOTING

	Page
Step 1. Learning the Parts of Your New Air Pistol	4
Step 2. Operating the Safety	5
Step 3. Removing and Installing CO ₂ Cylinder	6-7
Step 4. Loading and Unloading the Air Pistol	8-9
Step 5. Aiming and Firing Safely	10-11
Step 6. Removing a Jammed Pellet	12
Step 7. Maintaining Your Air Pistol	12-13
Step 8. Reviewing Safety	14
Step 9. Using and Enjoying Your Air Pistol	15-16

Step 1. Learning the Parts of Your New Air Pistol

Learning the names of the parts of your new air pistol will help you to understand your Owner's Manual. Use this manual to increase your airgun enjoyment.



1008 RepeatAir™
4

3

Step 2. Operating the Safety

A. To put the air pistol on safe, locate the safety in front of the trigger. Push the safety from the left side all the way in. (Fig. 1). The safety is not on unless it is pushed all the way in and the orange line around the safety is not showing. The air pistol will not fire when on safe.

B. Even when the safety is on safe you should continue to handle the air pistol safely. Don't point the gun at anything you don't intend to shoot.

C. To take the air pistol off safe, push the safety from the right side all the way in. When you can see the orange line around the safety, the pistol is off safe and will fire.

⚠ WARNING: KEEP THE AIR PISTOL ON SAFE UNTIL YOU ARE ACTUALLY READY TO SHOOT. THEN PUSH IT TO OFF SAFE.

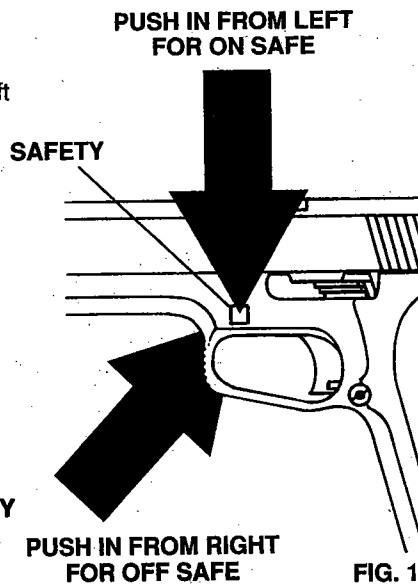


FIG. 1

5

Step 3. Removing and Installing CO₂ Cylinder

⚠ CAUTION: KEEP HANDS AWAY FROM ESCAPING CO₂ GAS. IT CAN CAUSE FROSTBITE IF ALLOWED TO COME IN CONTACT WITH SKIN.

A. Removing CO₂ Cylinder

- Put pistol on safe. (See Step 2)
- With one hand hold the pistol by the frame. With the other hand turn the piercing lever counterclockwise until it stops turning. (Fig. 2)
- Remove the grip cover from the right side of the pistol lifting from the bottom edge.
- Remove the empty CO₂ cylinder by turning the pistol over and shaking it. The cartridge will fall into your hand.

B. Installing New CO₂ Cylinder

- Insert the new CO₂ cylinder into the pistol with the small neck of the cylinder pointing toward the piercing assembly. (Fig. 3)
- Snap the grip cover into place.
- With thumb and finger, turn piercing lever clockwise to pierce the CO₂ cylinder.

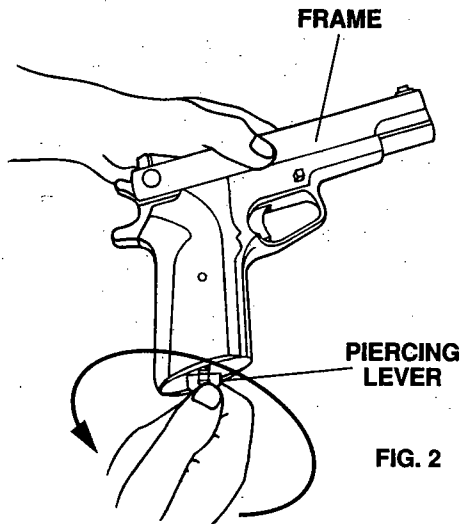


FIG. 2

6

- Point the pistol in a SAFE DIRECTION, take off safe and pull the trigger. If the pistol does not fire, tighten the piercing lever a little more and try to fire again. Repeat until the gun will fire.
- Do not overtighten the piercing lever or use a tool on it. Overtightening can cause injury to you or damage to your air pistol.
- Return safety to the on safe position.

NOTE: We recommend the use of Crosman Copperhead® CO₂ Powerlets®. They are made to fit the RepeatAir. Other brands of CO₂ cylinders may not fit properly and if you force them into place it may result in injury to you or damage to your pistol. Never try to force any CO₂ cylinder into or out of place.

⚠ WARNING: CO₂ CYLINDERS MAY EXPLODE AT TEMPERATURES ABOVE 120°F. DO NOT MUTILATE OR INCINERATE THEM. DO NOT EXPOSE THEM TO HEAT OR STORE THEM AT TEMPERATURES ABOVE 120°F.

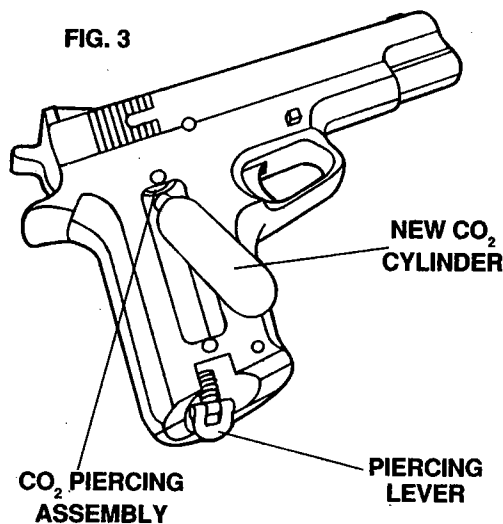


FIG. 3

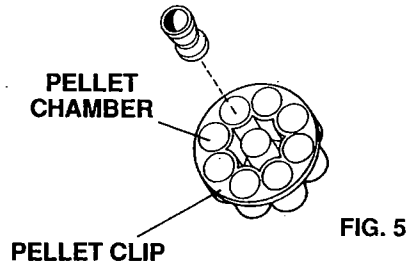
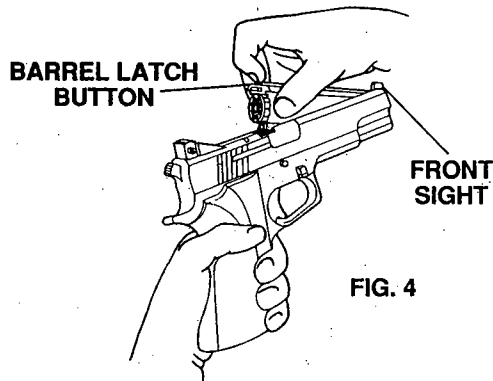
7

Step 4. Loading and Unloading the Air Pistol

⚠ CAUTION: USE .177 CALIBER PELLETS ONLY. NEVER REUSE PELLETS. USE OF ANY PELLET OTHER THAN .177 CALIBER CAN CAUSE INJURY TO YOU OR DAMAGE TO YOUR AIR PISTOL.

A. Loading the Air Pistol

- Put the air pistol on safe. (See Step 2)
- Open the barrel by pushing the barrel latch button toward the front sight until the barrel pops open. (Fig. 4)
- **DO NOT PULL THE BARREL UPWARD BEYOND THIS POINT:** This could damage your airgun.
- The air pistol will not fire when the barrel is in the open position.
- For ease of loading, remove the pellet clip and place a .177 pellet, nose first, in each pellet chamber. (Fig. 5) To avoid jams or deforming pellets, make sure each pellet skirt is level or slightly below the rim of the pellet chamber.
- Replace the pellet clip on the barrel.
- Close the barrel by pressing downward on



B. Unloading the Air Pistol

- Put the air pistol on safe. (See Step 2)
- Open the barrel. (See Step 4A)
- Remove the pellet clip. Using a ramrod or similar tool, gently push each pellet out of the pellet chamber.
NOTE: Never use sharp metal tools to remove pellets.
- Look down the breech end of the barrel to be sure the air pistol is completely unloaded.
- If there is a pellet in the barrel, insert a rod or straightened clothes hanger into the barrel. (Start at the breech.)
- Push the pellet out the muzzle of the air pistol. (FIG. 6)
- Don't try to reuse that pellet again.

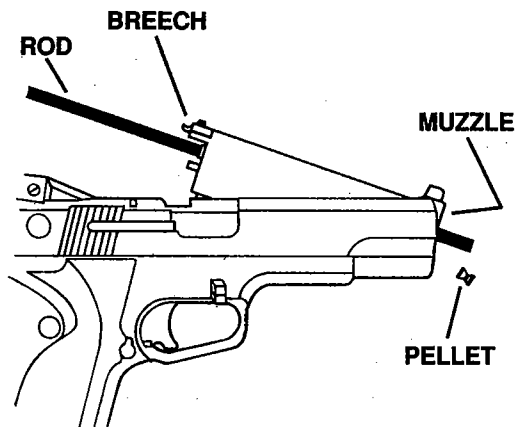


FIG. 6

Step 5. Aiming and Firing Safely

A. Aiming the Air Pistol

Always aim your air pistol in a **SAFE DIRECTION**. When you are sure of your target and backstop, and the area around the target is clear, take the air pistol off safe (see Step 2) and squeeze the trigger to fire.

Don't shoot at hard surfaces or at the surface of water. The pellet may bounce off and hit someone or something you had not intended to hit.

The air pistol is correctly aimed when the front sight blade is positioned exactly in the notch of the rear sight. The top of the front sight blade should be even with the top of the notch in the rear sight. The bullseye should appear to rest on the top of the front sight. (Fig. 7)

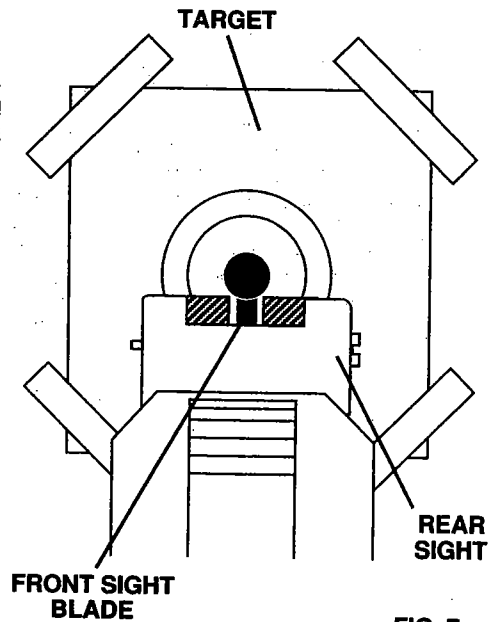


FIG. 7

10

9

B. Sight Adjustment

Move the rear sight in the same direction you want the pellet to hit on the target.

(Fig. 8) Elevation Adjustment: Turn screw clockwise to move point of impact up, turn screw counterclockwise to move point of impact down. Windage Adjustment: Turn screw clockwise to move point of impact to right and counterclockwise to move point of impact to left.

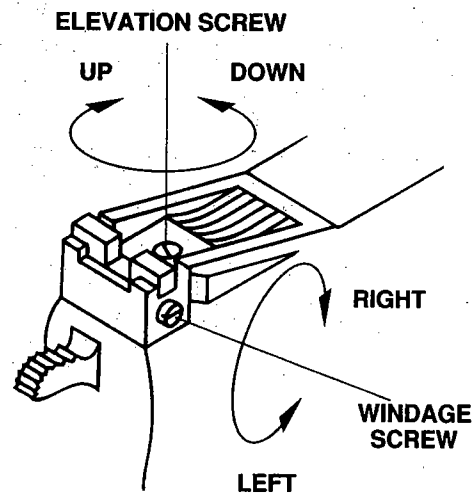


FIG. 8

11

Step 6. Removing a Jammed Pellet

- Follow instructions under Step 4B—Unloading Air Pistol.
- If for some reason you are unable to unjam your air pistol, take or send it to your nearest Crosman Authorized Service Center. (List of service centers is in box with air pistol.)

Step 7. Maintaining Your Air Pistol

Trouble Shooting Guide

PROBLEMS	REASONS									
	Safety in On position	CO ₂ cylinder full or empty	Barrel plugged	CO ₂ cylinder not fully pierced	Extreme high or low temperatures	Defective or improper ammunition	Pellet loaded backwards	Gun fired beyond recommended number of shots	Barrel in open position	Sight not adjusted
INACCURACY		●		●	●	●		●		●
GUN FAILS TO SHOOT	●	●	●	●		●	●	●	●	
LOW POWER		●		●	●	●		●		
BARREL PLUGGED		●		●	●		●			
GUN LEAKS				●						

12

Your air pistol will work best if you oil it every 250 shots. Put 2 or 3 drops of Crosman Pellgunoil® (available for order through Crosman Accessories Catalog) on the CO₂ piercing assembly and the piercing lever. Pellgunoil is best, but any light household oil is better than none. Don't over-oil. This can cause damage to your air pistol. (Fig. 9)

Tampering with the airgun or attempts to change the airgun in any way make it unsafe to use. If you drop your airgun, check to see that it works properly before you use it again. If anything seems changed, like a shorter or weaker trigger pull, this may mean worn out or broken parts. Don't use it again until you've had it checked by an Authorized Service Station. (A list of Service Stations is in the box with the air pistol.)

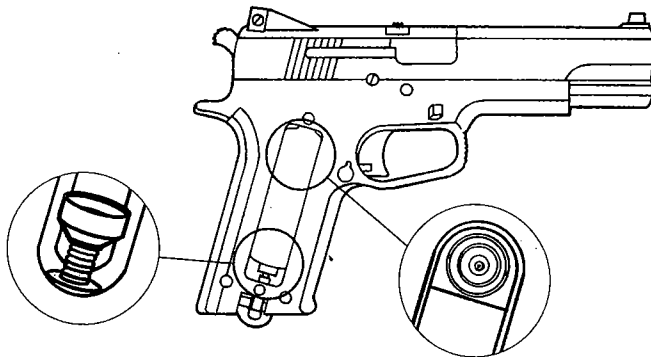


FIG. 9

Step 8. Reviewing Safety

- Always treat your air pistol as though it were loaded. Don't point at anything you don't intend to shoot. Always aim in a SAFE DIRECTION.
- Always keep air pistol on safe until you are ready to shoot in a SAFE DIRECTION.
- Always wear shooting glasses to protect your eyes.
- Keep hands away from escaping CO₂ gas. It can cause frostbite if allowed to come in contact with skin.
- Stop using a backstop if it becomes worn. Place backstop in a location that will be safe should the backstop fail.
- Never use any tool on the Powerlet piercing lever. Overtightening can cause injury to you.
- Use .177 caliber pellets only. Never reuse ammunition.
- Don't shoot at water or hard surfaces such as metal. The pellet may bounce off or ricochet and hit someone or something you had not intended to hit.
- Do not attempt to disassemble or tamper with your airgun. Use a competent repairman.
- Always check to see if the air pistol is on safe and unloaded when getting it from another person or from storage.
- Don't put the air pistol away loaded. Make sure all of the pellets are unloaded.
(See Step 4B)

Step 9. Using and Enjoying Your Air Pistol

Now that you have studied your owner's manual and understand how to use your air pistol properly, you are ready to begin your shooting enjoyment. Follow these shooting tips for fun and safe shooting.

Choosing Targets

Always choose your targets carefully. It is best to shoot at paper bullseye targets which are attached to a safe backstop such as the Crosman Target Trap. A heavy blanket should be hung behind the target trap to prevent ricochet or pellets bouncing off should you miss the backstop. It is also best to wear shooting glasses to protect your eyes.

Don't shoot at hard surfaces or at the surface of water. The pellet may bounce off and hit someone or something you had not intended to hit.

Your backstop should be checked for wear before and after each use. Stop using any backstop if the surface is worn or damaged or if the pellet bounces off or ricochets.

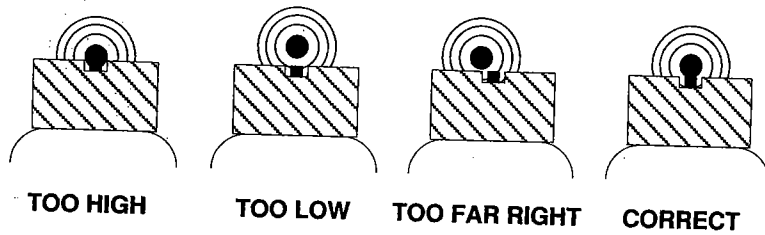
Your airgun is designed for target shooting and is suited for both indoor and outdoor use. Always remember to place your target carefully. THINK what you will hit if you miss the target!

Shooting

We talked earlier about aiming your air pistol and sight adjustment (Step 5). The next step is putting the sights together with the target. This is known as sight picture.

A correct sight picture has the bullseye directly centered on top of the front sight with both sights correctly aligned. (Fig. 10)

FIG. 10



Now with the sights and target in the proper position, you are ready to squeeze the trigger to fire double action, or cock the hammer and squeeze the trigger to fire single action.

A trigger must be squeezed smoothly to keep the sights aligned and on the target as you fire the airgun.

Competitive Enjoyment



Competing with friends and holding informal shooting matches can make airgun ownership more fun and exciting. Crosman accessory targets will help make your neighborhood matches the most popular around.

REMEMBER...shooters are made, not born. Know the basics of safe shooting.

16

15

SPECIFICATIONS

Mechanism: 8 Shot Revolver
 Caliber: .177
 Ammunition: .177 cal. (4.5 mm)
 Lead Airgun Pellet 
 Weight: 17 oz. (.482 kg)
 Length: 8 5/8" (21.9 cm)
 Sights: Rear Adjustable for Windage and Elevation
 Front Fixed Blade
 Barrel: 4 1/4" (10.8 cm) Rifled Steel
 Power Source: 12 Gram. CO₂ Powerlet®
 (small neck type) 
 Safety: Cross Bolt

REPAIR SERVICE

If your airgun needs repair, we recommend you take or send it to your nearest Crosman Authorized Service Center, (list of service centers in box with airgun). Your airgun requires special tools and fixtures to repair it. If you take it apart, you probably will not be able to reassemble it correctly. Crosman assumes no warranty responsibility in this case.

A SPECIAL CUSTOMER SERVICE

Crosman Authorized Service Stations will unjam your air pistol at no cost during the warranty period

Projectile	Weight	*Muzzle Velocity	Average Shots
.177 Pellet	7.9 gr.	430 FPS	CO ₂ Powerlet **60

*Initial velocity listed may exceed average velocity up to 15%. Many factors affect velocity, including brand of projectile, type of projectile, amount of CO₂ in cartridge, oiling of the gun, barrel condition, temperature and elevation. **Shooting more than 60 pellets per CO₂ cartridge may result in unsatisfactory accuracy due to lower velocities.

NOTE: Operating pistol at below 70°F will decrease the number of effective shots. The reverse is true for operating above 70°F.

17

LIMITED ONE YEAR WARRANTY

This product is warranted to the retail consumer for one year from date of retail purchase against defects in material and workmanship and is transferable. To register the serial number of your gun, please return the Airgun registration form. The warranty is not conditioned on the return of the card.

WHAT IS COVERED

Replacement parts and labor. Transportation charges to consumer for repaired product.

WHAT IS NOT COVERED

Transportation charges to Crosman for defective product. Damages caused by abuse or failure to perform normal maintenance—see Owner's Manual. Sales outside of the United States. Any other expense. CONSEQUENTIAL DAMAGES, INCIDENTAL DAMAGES, OR INCIDENTAL EXPENSES, INCLUDING DAMAGE TO PROPERTY. SOME STATES DO NOT ALLOW THE EXCLUSION OR LIMITATION OF INCIDENTAL OR CONSEQUENTIAL DAMAGES, SO THE ABOVE LIMITATION OR EXCLUSION MAY NOT APPLY TO YOU.

18

HOW TO OBTAIN WARRANTY PERFORMANCE

Locate nearest Crosman Service Center on list with Product or in phone book. Attach to Product your name, address, description of problem, phone number and proof of date of retail purchase (sales slip). Package and return Product to Crosman Service Center, transportation charges prepaid.

IMPLIED WARRANTIES

ANY IMPLIED WARRANTIES, INCLUDING THE IMPLIED WARRANTIES OF MERCHANTABILITY AND FITNESS FOR A PARTICULAR PURPOSE, ARE LIMITED IN DURATION TO ONE YEAR FROM DATE OF RETAIL PURCHASE. SOME STATES DO NOT ALLOW LIMITATIONS ON HOW LONG AN IMPLIED WARRANTY LASTS, SO THE ABOVE LIMITATIONS MAY NOT APPLY TO YOU.

To the extent any provision of this warranty is prohibited by federal, state, or municipal law which cannot be preempted, it shall not be applicable. This warranty gives you specific legal rights, and you may also have other rights which vary from state to state.