

*Mr. Bartley
2, Wallford Way 2/6*

THE BOYS' BOOK OF CRYSTAL SETS with practical circuits

by
W.J.MAY

Medium, Long, and Short Wave designs
12 different circuits to suit all areas and
conditions · Complete practical wiring diagrams
Comprehensive information on Aerial and
Earth Installation · There are suitable designs
for the beginner and advanced constructor

BERNARDS RADIO MANUALS

INTRODUCTION

Before any attempt is made to construct a receiver, it is necessary to examine the problems which surround the crystal set, so that the best can be obtained from any of the designs attempted.

Firstly, it must be understood that the crystal set as it is to-day does not provide any amplification. It relies entirely on what is fed into it via the aerial and earth system and gives a very faithful replica of the original transmission.

From this it will be obvious that the aerial and earth system must be as efficient as possible if the final results are to be in any way outstanding. This because these are the only means by which the signals are fed to the receiver.

Secondly it is necessary to understand the nature of the transmitted signal, then it will be easy to understand the working of the set and to appreciate the function of each of the components.

When crystal sets first became popular, very little information was generally available, at least, not in a form that school-boys could understand.

We all built sets of all shapes and sizes, with coil designs that had to be seen to be believed, but very few of us had much idea of how they worked.

I well remember the case of a cousin of mine who, in those days acquired a magnificent variable capacitor or condenser as it was then called, this instrument had a most impressively engraved dial of polished ebonite, brass vanes and nickel plated end plates. Having observed similar dials on several highly priced commercial receivers in the town, he at once ripped out the somewhat tattered coil from the family receiver and replaced it with this device. The profound silence which ensued caused considerable amazement and dismay until a better informed adult explained the mysteries of L and C to him. Readers of this manual, however, will be better informed and there is no risk of failure with any of the designs described provided the instructions are carefully followed.

The Signal

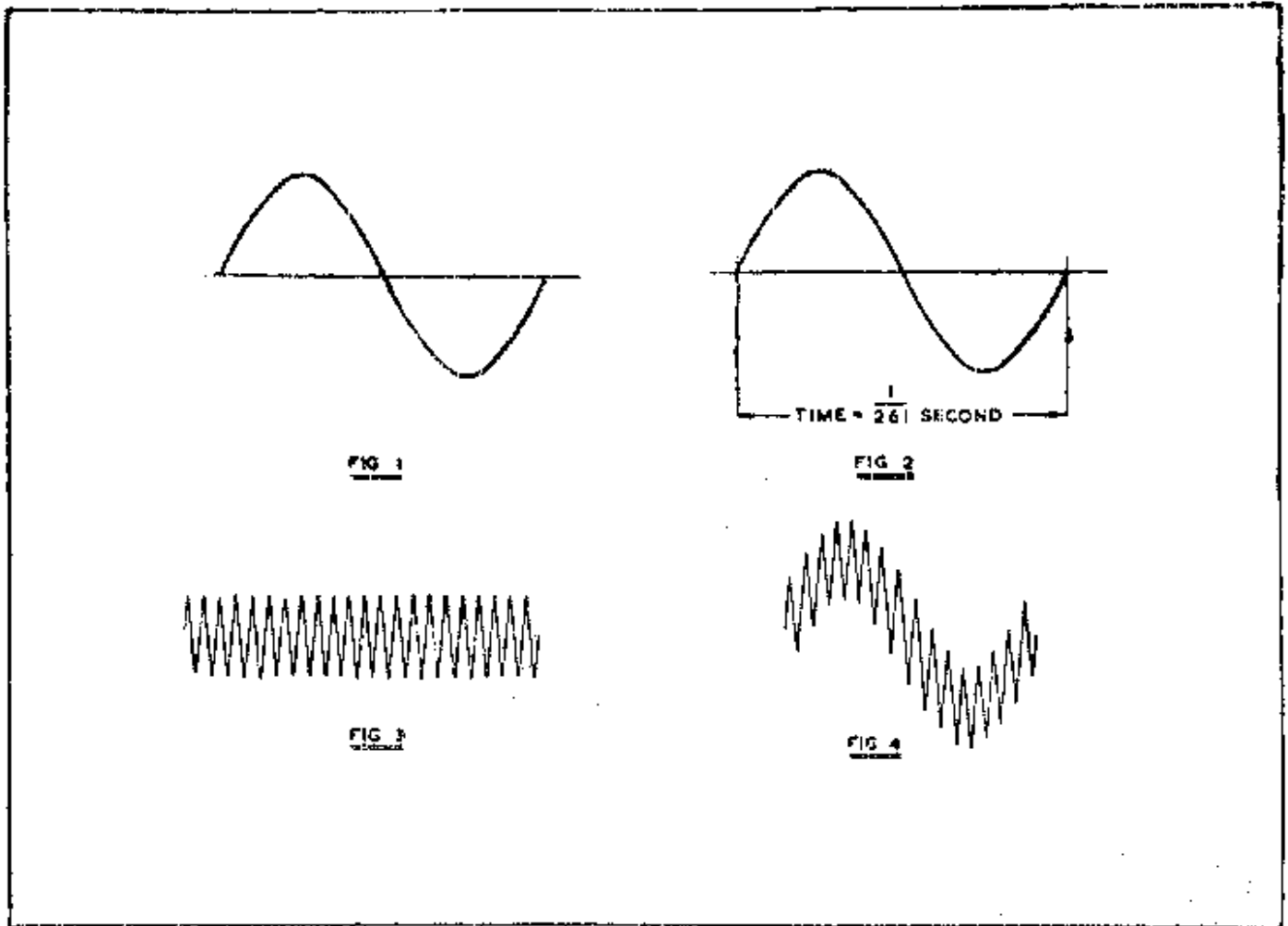
To commence, we will assume that an orchestra

is playing in a broadcasting studio. Since the principle of radio transmission is electrical it is necessary to change the sound produced by the orchestra into an electrical equivalent. This is carried out by the microphone, which picks up the sound and changes it into minute electric currents.

As they appear at the output of the microphone they are too small to be of use and accordingly are passed through a high power amplifier. These amplified currents could now be transmitted, but unfortunately, as we shall learn, owing to the inherent nature of the signal in this state, transmission over any useful distance would be impractical.

When the music from the orchestra is transformed into electrical currents they are in the form of alternating currents, usually called A.C., that is they rise to a maximum in one direction, fall to a minimum, rise to a maximum in the opposite direction and then fall to minimum again. This process is repeated over and over again. One complete rise and fall in each direction is called a cycle and is drawn in Fig. 1. Every time a note is struck on a piano, vibrations are sent out which reach the ear enabling you to hear it. These vibrations are also spoken of as cycles, they rise and fall in intensity the same way as an alternating current. The number of cycles radiated by any given note over a period of one second are referred to as its frequency. Middle C on the piano sends out 261 cycles every second and is known as having a frequency of 261. The microphone also "hears" the note and in the case of middle C produces minute A.C. at 261 cycles. This can be drawn as in Fig. 2, the only difference between Fig. 1 and 2 is, that the time factor is given so that the frequency can be identified. The higher the pitch of a note the higher the frequency and the lower the pitch the lower the frequency. On a piano the frequency of the top note is 3515 cycles and that of the lower 27 cycles. Those of you who have listened to an organ in a concert hall will have noticed that when a very deep note was played, it sounded like a growl to the ear, but the vibrating fre-

THE BOY'S BOOK OF CRYSTAL SETS



quency could be distinctly felt through the seat. Higher notes have too high a frequency to be observed in this manner.

The range of sounds which can be detected by the human ear are known as audio or low frequencies. From this you will understand that a low frequency amplifier is one which amplifies sound.

So that the transmitter will carry the programme over a useful distance it is necessary to radiate high frequencies. Now, as explained, the programme to be transmitted consists of low frequencies, and to overcome the difficulty, the transmitter generates A.C. of high frequency and combines it with the low frequencies. It will now be understood that the transmitted signal consists essentially of two different parts, a high and a low frequency content.

Fig. 3 gives a representation of the high frequency signal generated by the transmitter. In the case of the London Home Service, the frequency is 908000 cycles.

When referring to a high frequency signal on the medium or long wave-band it is usual to express the frequency in thousands of cycles, thus

908000 cycles becomes 908 kilo-cycles, which in turn may be abbreviated to 908 k/cs. It might at first be thought that by adding the low frequency or L.F. signal to the high frequency or H.F. carrier a form such as in Fig. 4 would result, such a combination is useless, and, so that the original L.F. content can be satisfactorily extracted by the receiver, the L.F. signal must vary the amplitude or output power of the H.F. signal as in Fig. 5.

It is in this form that the signal arrives at the receiving aerial. The aerial in itself is incapable of discriminating between one signal and another, and countless signals will be collected by the aerial at any one time. Many of these are too weak to be of use but the stronger ones must be sorted out since there is no point in receiving several programmes at once.

Fig. 6 shows the basic circuit of the input to a crystal. The coil L possesses a quality known as inductance, and the capacitor C, that of capacitance. If the coil had no capacitance whatever across it, all signals arriving at the aerial would be effectively short circuited to earth. As a matter of interest, it is impossible to obtain this state of affairs since even without any additional capa-

THE BOY'S BOOK OF CRYSTAL SETS

citor any coil **must** contain a certain amount of self capacitance.

By combining a coil and capacitor as in Fig. 6 a peculiar effect is observed, at one particular frequency, the signals are not short circuited to earth, but are developed across the coil. In other words the combined effect of L and C no longer provides a short circuit, **but only at one particular frequency**. If the value of C is altered the effect will be observed at a different frequency; likewise by altering L the frequency at which the effect will take place can be changed. There is a name for this phenomena, the frequency at which it occurs with any given L and C combination is known as the **resonant frequency**.

The values of the coils and capacitors shown in this manual have been carefully chosen so that resonance will be obtained at all frequencies where stations are broadcasting. Broadcasting stations work in bands of frequencies, those of major interest to crystal set constructors are the medium wave-band 1200 k/cs—600 k/cs and the long wave-band 300 kc/s—150 k/cs.

Usually a variable capacitor is used with a fixed inductance to cover one band and an additional

coil switched in to increase the inductance to cover the other. In this way the L and C combination can be adjusted to provide resonance at the desired frequency of any given station. In other words you can **select** the station you want by varying C, that is turning the dial of the variable capacitor. This procedure is referred to as tuning. Having selected or tuned the required station it still remains necessary to change the form of the signal back to that of the original transmission. This process is called detection or de-modulation.

Examination of Fig. 5 will show that the signal has been duplicated, in other words, as it rises in one direction it also rises equally in the other. In this form the signal is useless since each half of the signal cancels the other, and if this signal is applied to a pair of headphones silence will result. Obviously some provision must be made to get rid of the unwanted half of the signal, and it is here that the crystal detector must be considered. This device will pass current in one direction only, ignoring any signal in the opposite direction, so that if the signal of Fig. 5 is passed through such a crystal, that of Fig. 7 will result. There is still the H.F. content to be reckoned

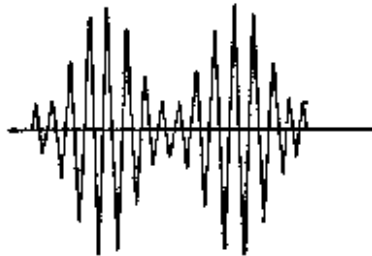


FIG 5

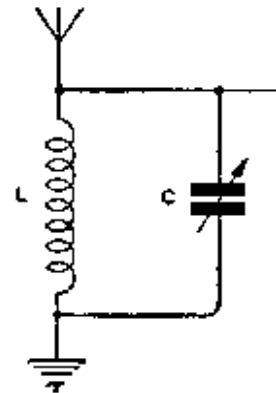


FIG 6

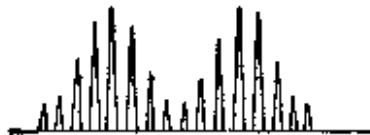


FIG 7



FIG 8

THE BOY'S BOOK OF CRYSTAL SETS

with, fortunately this is easily dealt with, a capacitor connected across the headphone terminals effectively disposes of this, leaving only the audio or L.F. content, as shown in Fig. 8. This audio content, which is a faithful replica of the original transmission is fed to the headphones. These in turn reverse the process of the microphone and transform the electrical currents into sound waves acceptable to the human ear.

Briefly then, your requirements are as follows:—

- (1) A good aerial and earth installation, to make the most of the available signals.
- (2) A receiver containing:—
 - (a) Some form of coil and capacitor (L & C) combination to select or tune in the wanted station.
 - (b) A crystal to get rid of the unwanted half of the signal (detection).
 - (c) A fixed capacitor across the headphones to get rid of any remaining carrier.
- (3) A pair of sensitive high resistance headphones.

Aerials

By this time the intending constructor will be able to appreciate the necessity of a good aerial. It is a point which cannot be over-emphasised. Assuming that you are in the fortunate position of being able to erect an outdoor aerial there are two main considerations, height and length.

One of the best that can be used is the inverted L shown diagrammatically in Fig. 9.

It should be erected as high as is practical, every foot counts. The horizontal wire, that is the aerial proper, should have a minimum length of 60' to which of course the length of the down lead is added. Where it is impossible to erect an aerial with an ideal horizontal length, a compromise must be effected.

Fig. 10 shows a three wire spreader aerial which gives quite a good effective length.

Suitable wire for a receiving aerial will not set any problems, stranded copper about 7/22 gauge is the best. 7/22 means that it consists of 7 strands of 22-gauge wire. This wire may be obtained covered, and for the present purpose is better than the plain or enamelled kind.

Note that insulators are used between the actual aerial wire and its anchoring supports, it is important that these are used, otherwise leakage will occur which will of course spoil its efficiency. Fig. 11 and 12 show how the wire may best be attached to two of the most common types of insulator available. Fig. 11 is of porcelain and is usually referred to as an egg insulator, whereas Fig. 12 shows a more modern (and more expensive) type in glass. If you are using

the glass pattern, one is usually sufficient at each end of the aerial, but with the egg type two should be used. No doubt many readers will not be in a position to erect an out-door aerial, and must necessarily be content with an indoor installation.

The next best thing to a good out-door aerial is a replica constructed in a loft. If this form of construction is used, care must be taken when feeding the down lead to avoid close contact with the wall of the house. At the point where the lead feeds under the eaves, a length of rubber tubing can be used to cover the wire. The lead is fed through one of the small spaces left for ventilation purposes. A general idea is given by Fig. 13.

A less elaborate but quite effective aerial can be obtained by using a bed-spring. A length of 7/22 copper insulated wire is connected between the receiver and the spring. The spring should first be cleaned with emery cloth. Remove about 2" of insulation from the wire and bind it tightly round the prepared spring. The joint may be covered with insulating tape which is obtainable from all electrical stores for a few pence.

Such aerials are quite popular since so many crystal sets are built for bedroom use.

When an aerial is required in the living room, the picture rail can be conveniently used. Insulated screw-eyes are fixed at intervals of about 3 feet along the rail, the wire is firmly anchored to one of them, and stretched right round the room until you arrive back at the starting point. By use of one of the insulated screw-eyes, the wire is secured and the down lead fed to the receiver. The idea is illustrated in Fig. 14.

Soldering

Before leaving the subject of aerials, a few words on soldering will not come amiss. Down leads on outdoor aerials should be soldered, and the same applies to loft types. Apart from aerial leads; earth leads and all the connections in the receiver will require soldering.

For the type of soldering necessary in radio construction an electric iron is the best solution. One of the small types marketed by Adcola or Henleys will be found admirable for the job. These are excellent for actual set construction but are hardly large enough for soldering the down lead to an outdoor type of aerial. Here the heat is dissipated much more quickly and a larger iron is required in order to get the solder to flow.

Ordinary irons which may be heated by a gas flame can be obtained very cheaply from most ironmongers' stores. Assuming the use of such an iron, first heat the iron until the copper bit is giving off a green coloured flame, the iron is now at the correct operating temperature. The bit is now discoloured or oxidised and its tip

THE BOY'S BOOK OF CRYSTAL SETS

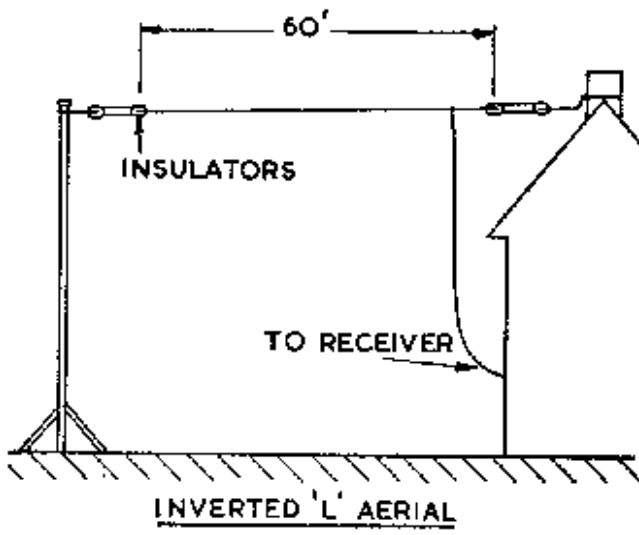


FIG. 9

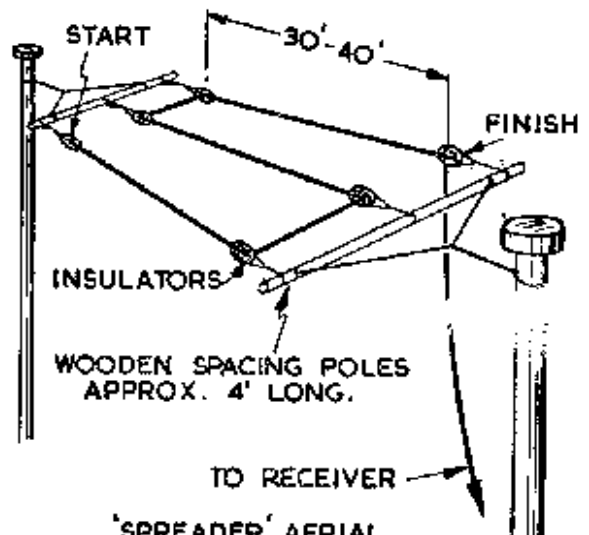


FIG. 10

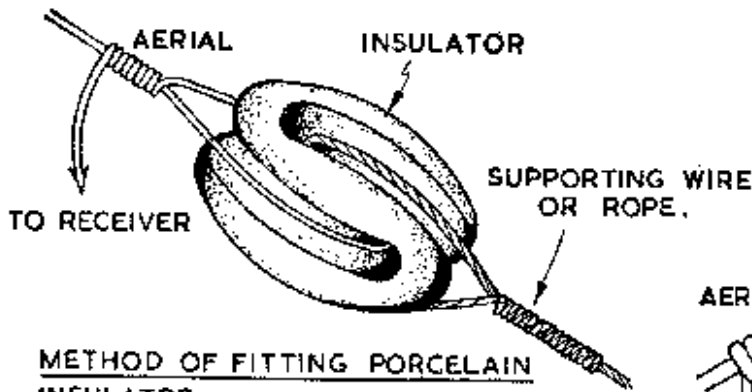


FIG. 11

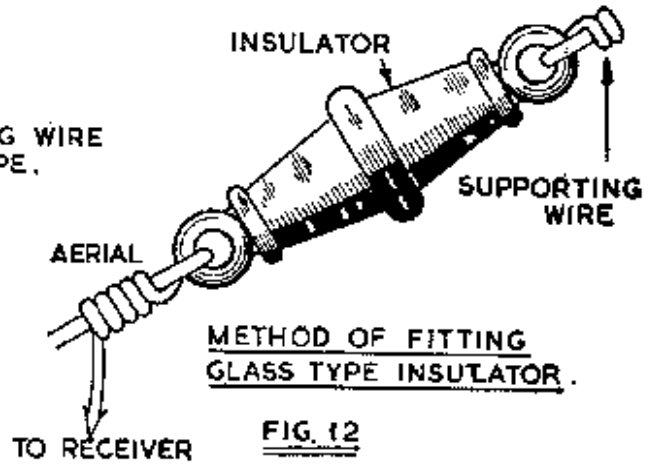


FIG. 12

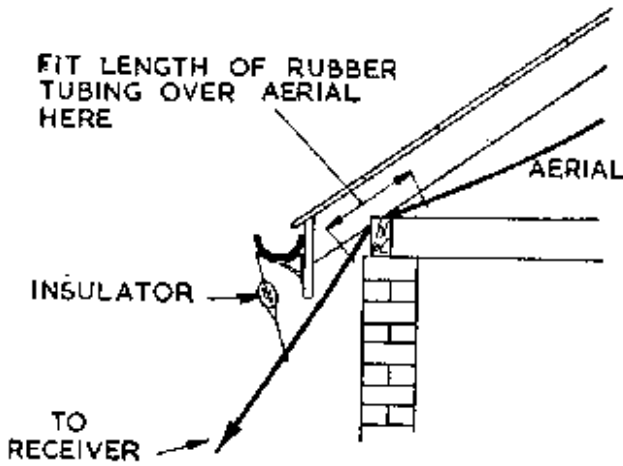


FIG. 13

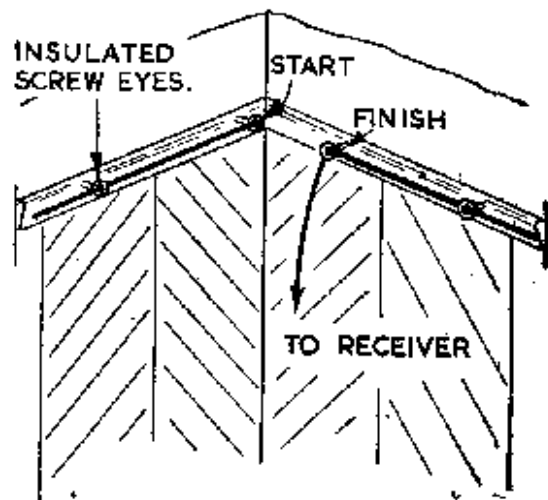


FIG. 14

THE BOY'S BOOK OF CRYSTAL SETS

should be quickly cleaned with an old file which should be kept specially for the purpose. A better idea is to obtain a small block of sal-ammoniac and rub the tip of the hot iron on it. This will clean the tip of the bit perfectly. Next take a length of cored solder such as Ersin Multicoore, and melt a little on to the prepared tip faces, now smooth it evenly over the surface with a piece of old rag (be very careful not to burn your fingers) the iron is now "tinned" and ready for use. When heating the iron, be very careful not to let the bit overheat or get red hot, otherwise the tinned surface will be destroyed and the whole process will have to be gone through again.

An electric iron will not overheat, and the tinning will last much longer than with ordinary types, and since the heat does not deteriorate there is less likelihood of making faulty joints.

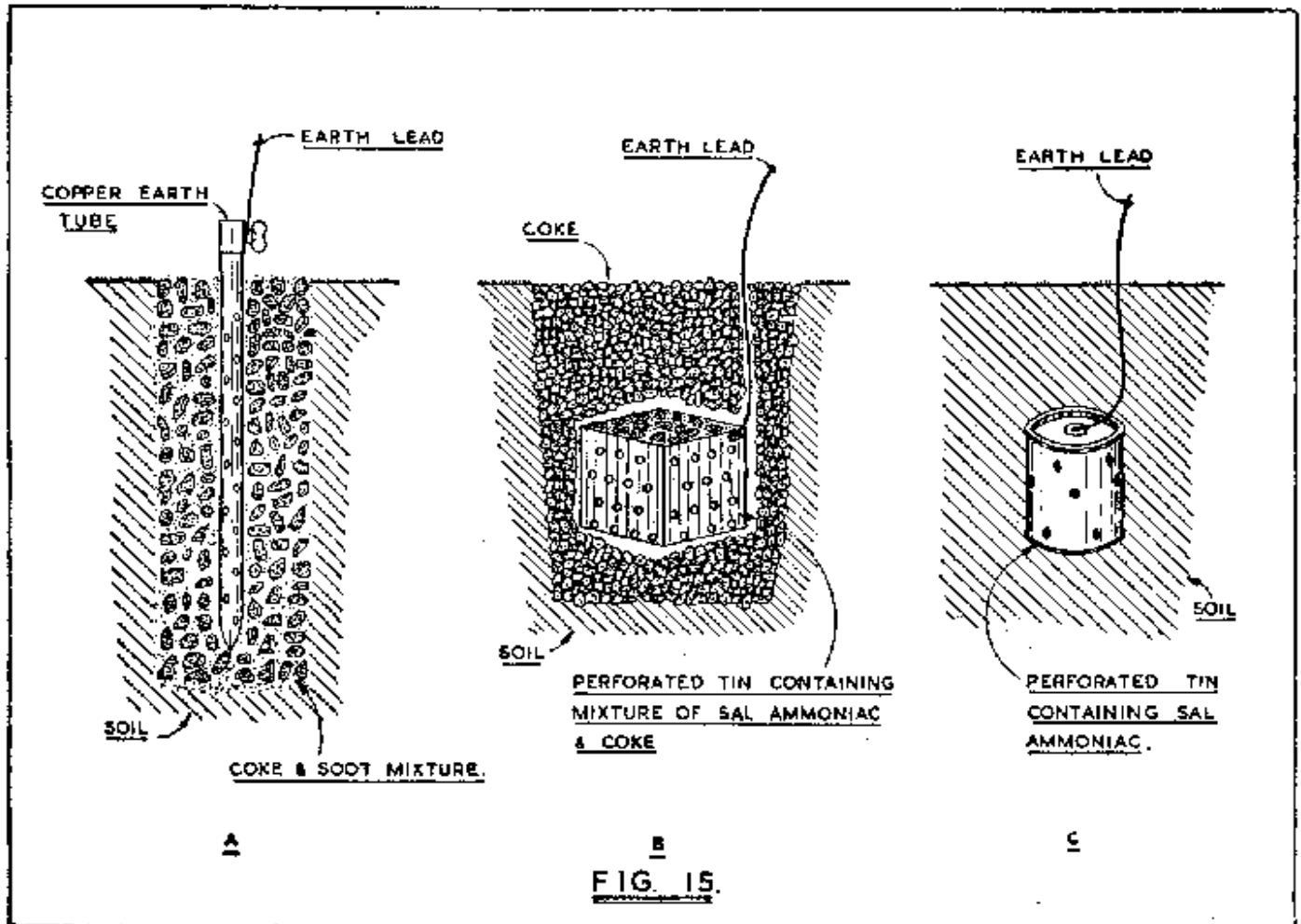
Having obtained a tinned iron, the process of soldering joints is remarkably simple and anyone with a little patience can acquire the art in a very short time.

To solder two copper wires together: clean the wire with emery cloth, apply a prepared iron and some cored solder to it, the solder will flow evenly over the wire thus tinning it. Repeat the

process with the remaining wire and then twist the two together. Now apply the iron to the joint from the underside and the cored solder to the joint on top. Solder will flow evenly over the joint. Remove both iron and solder and allow to set. The solder will harden or set in a few seconds but during this period the joint must not be touched or moved, as otherwise the joint will be "dry" and quite useless mechanically or electrically. On radio components, tags for soldering are already tinned though if they are old, or discoloured it is best to re-tin them. Normally, however, it is only necessary to twist the connecting wire to it and apply the iron and solder as explained.

Remember: never apply the solder to the iron and then the iron to the joint, always apply the iron and the solder to the joint. It is however a good thing to apply a little solder to the iron tip even when it is perfectly tinned just before making a new joint.

One final "DON'T," you will have noticed that the solder referred to is "cored," that is, it contains resin and other substances through its centre, plain solder as used by electricians and plumbers will not do, as it is the resin or flux



THE BOY'S BOOK OF CRYSTAL SETS

as it is called which makes the solder flow evenly and permits a good electrical joint.

Equally important do not attempt to use a separate flux or soldering fluid with plain solder or to "help" the cored solder, since these are almost certain to cause eventual corrosion and will destroy any components that have been contaminated.

Earths

The provision of a good earth is just as important as the rest of the installation.

Much disappointment would be avoided if this fact were not lost sight of, to avoid any slip up in this direction I am proposing to outline several well tried and efficient earth systems.

If it can be obtained, an earth rod, specially designed for the purpose provides the basis of a good earth connection. These were very popular some years ago when the majority of receivers were either crystal or battery operated, but in these days of modern mains driven sets they are not often used and consequently not always readily available.

Fig. 15 shows how it is used. First excavate a hole to a depth of three feet and fill with a mixture of soot and coke. Drive in the earth rod, which is a hollow copper tube, perforated. The lead to the receiver is connected at the top, and should be of covered 7/22 gauge, as used for the aerial system. Though not obvious it is important that this lead-in should be in covered wire, otherwise a number of indifferent earth contacts are likely to be made at various points along its length until it reaches the set. This is very undesirable and will spoil the efficiency of the system. It is essential to keep the soil surrounding the rod moist, which is one reason why the tube is hollow, and care must be taken to pour water into the tube at intervals.

A very efficient earth is the percolative type also popular at one time. Due to the chemicals used, it will extract moisture from its surroundings, thus maintaining a permanently moist earth.

It should be installed as in Fig. 15b.

The container is of copper or zinc, anything else will quickly rust away, again a good quantity of coke is used. Fill the container with a mixture of sal-ammoniac and coke, and then bury in coke as illustrated. This earth will not require further attention. It is possible to use powdered calcium chloride instead of sal-ammoniac but unless a chemist can be persuaded to make some up it is better to stick to sal-ammoniac.

If a zinc container is not available and you do not use or cannot easily get coke, Fig. 15c should be used. This makes a better earth than many so-called "earths" that I have come across. Obtain as large a tin as possible, make a number of holes as shown. Solder the lead in the bottom

and fill it with sal-ammoniac. Replace the lid and bury in the ground. The tin will eventually rust away, but the replacement cost is negligible.

If it is quite impossible to make direct contact with the ground, a water pipe must be pressed into service. This should be a main pipe feeding straight to ground and not a hot water pipe or one fed from a tank. Scrape the pipe clean and twist the lead in tightly around it, a copper clip is even better. Do not attempt to solder on to the water pipe; since cold water is flowing through the pipe, it is extremely unlikely that your soldering iron will heat up the water supply sufficiently to allow a sound electrical joint, though you may spring a leak.

No attempt should be made to utilise gas pipes; the possibility of causing a fire is certainly very remote but, they make incredibly bad earth connections due to a number of joints made before true ground is reached. These joints are at best only semi-conductors, at least from an electrical standpoint.

Headphones

Since the late war there have been a large number of head-phone sets available on the surplus market. These may be roughly divided into two types, high-impedance and low-impedance. For the crystal sets detailed in this book high-impedance 'phones are required and the low-impedance pattern will not be suitable unless a matching transformer is used. As this is likely to cost more than the rest of the installation including the set, it will be as well to avoid them.

High-impedance types have an impedance of 2000 Ω to 4000 Ω whereas the low-impedance types are usually 600 Ω .

The remaining consideration is weight; often cheap headphones are very heavy and uncomfortable to wear, every endeavour should be made to obtain 'phones as light in weight as possible.

Crystals

All the sets shown in this book have been designed to work with modern germanium crystals rather than the older galena crystal.

These germanium crystals require no adjustment, which, in itself, removes the main objection to this class of receiver. Suitable crystals are available from the following manufacturers and on the surplus market: Mullard, G.E.C., Brimar, Westinghouse and B.T.H. They are of robust construction, some in glass, others in ceramic or plastic, but must not be subjected to heavy knocks, otherwise the contact point may become dislodged.

From the information given, you should now be able to install an excellent aerial and earth system, and have some idea of how the crystal set works, so it is time to pass on to the actual receiver construction.

THE BOY'S BOOK OF CRYSTAL SETS

CONSTRUCTION 1

If you examine the following circuits you will find that each one is different. In most cases the difference lies in the coil design and/or the method by which the crystal and aerial is tapped into it. Each of these circuits has its own particular advantage to suit different conditions and the ideal circuit in some localities is not necessarily the best in others. It is not just a matter of a given circuit giving louder results than another, if it were there would be no point in showing more than one.

The main problem is to obtain adequate selectivity without reducing the volume level.

A receiver is said to be selective when it tunes sharply, a set with poor selectivity allows the stations to spread over the dial and when used near a transmitter will receive the local stations mixed together, which of course is useless.

Consider Fig. 16a, this is a very simple receiver, with no special attempt to provide any great amount of selectivity. In areas where signal

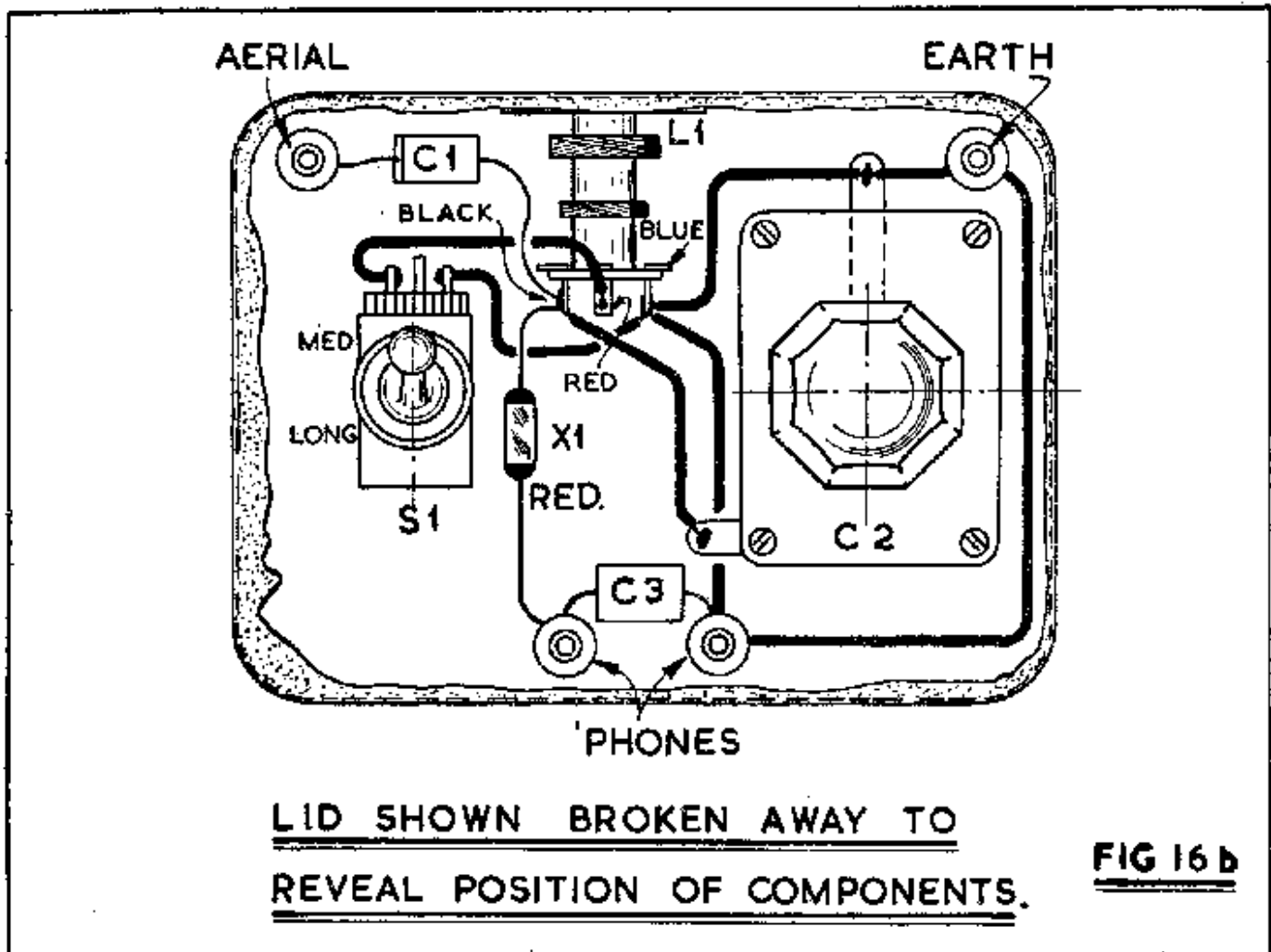
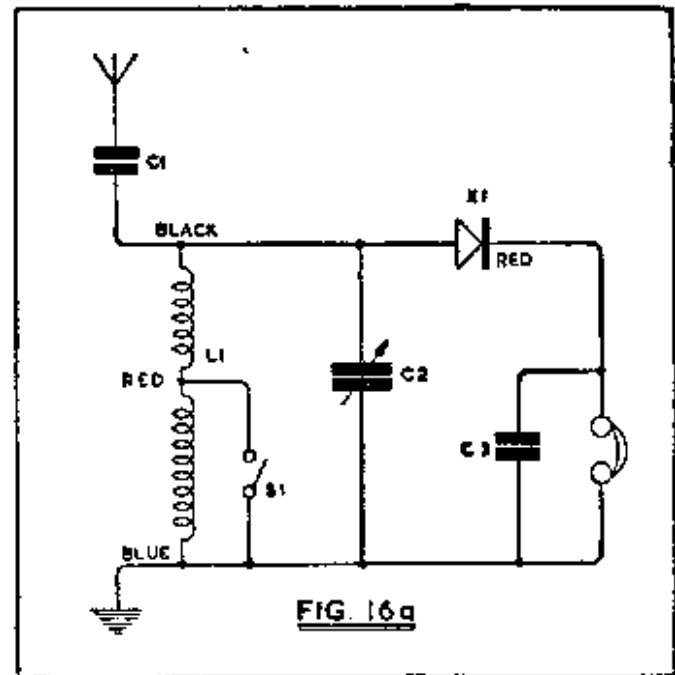


FIG 16 b

THE BOY'S BOOK OF CRYSTAL SETS

strength is not high, or a short aerial is used, it will probably be ideal.

It would have been quite easy to increase the selectivity by providing a tap on the coil for the aerial as in Fig. 17a, but unfortunately, as the selectivity is increased overall volume is likely to decrease, so that unless you live close enough to the transmitter to have a large signal available and therefore need the selectivity, the circuit of Fig. 16a will be quite satisfactory.

Capacitor C1 is to prevent the aerial damping the circuit too heavily because this would flatten the tuning unnecessarily, however with small aeriels it may be better to take the aerial direct to the black tag on L1. The signals are selected or tuned by L1 and C2, X1 is the crystal and C3 the capacitor across the 'phones to prevent unwanted carrier or R.F. reaching the 'phones.

A practical diagram (Fig. 16b) is provided showing the layout and all the wiring. You will require nuts and bolts to fix the coil, about $\frac{1}{4}$ " 4BA size will do, the other parts have locking nuts provided. An old 2-oz. tobacco tin makes a very good container and keeps the size down. Note that the metal box is connected to earth. With the exception of AC/DC receivers the metal

work on any receiver or amplifier is connected to earth.

When S1 is open as in the diagram, the set will tune in long-wave stations, but when closed the medium wave-band will be received.

Components List, Fig. 16a

- C1 100pF mica capacitor.
- C2 500pF tuning capacitor, solid dielectric.
- C3 1000pF mica capacitor.
- X1 Germanium crystal.
- L1 Crystal Set Coil, R.E.P.
- S1 Single Pole toggle switch.
- 4 Insulated wander-plug sockets and plugs.
- 1 2-oz. tobacco tin (or similar container).

Make sure that the wander-plug sockets are of the **insulated** type, otherwise the metal case will join all the sockets together electrically.

Try to follow the theoretical diagram when wiring, a little practice will soon enable you to wire up a set without a practical diagram, which is a great advantage because often only the theoretical diagram is given when circuits are detailed in the technical press.

Fig 28 on page 34 gives a list of symbols used on the theoretical diagrams, so that you can readily identify the components.

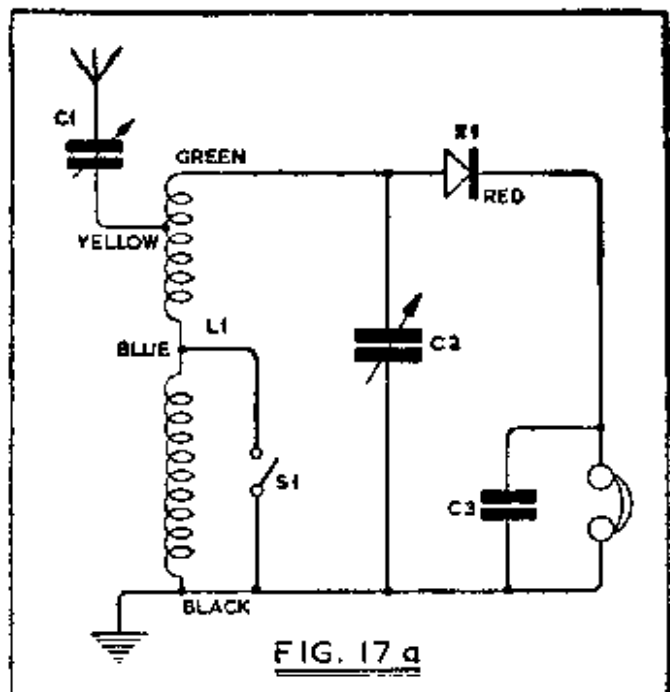
2

Fig. 17a circuit is similar in many respects to that of Fig. 16a. The difference is purely one of selectivity, tuning will certainly be sharper, and even with comparatively inefficient aeriels the design will put up a very good performance. There is no reason why the construction should not follow the same lines as the previous receiver but, by enlarging the set a little and using an air spaced tuning capacitor, the efficiency is improved. Observe that the colour coding on the coil, an R.E.P. Dual Range (Blue Box) is different from that of the Crystal set coil used on the previous design, and make sure it is correctly wired in.

C1 is a mica compression capacitor, often referred to as a "trimmer" and because it is adjustable, permits the set to be matched to aeriels of varying lengths. Construction is carried out on a square panel of bakelite, perspex or wood, as shown in Fig. 17b. Perspex being clear like glass presents a most attractive finish, provided the set is neatly wired. It must be drilled slowly, however, otherwise the generated heat of the drill will make the hole wander, and spoil the panel.

After the set has been wired and tested a small wooden container can be made to house the completed set.

When carrying out reception tests, a little experiment is well worth while, to get the best out of the set. Try removing the germanium crystal



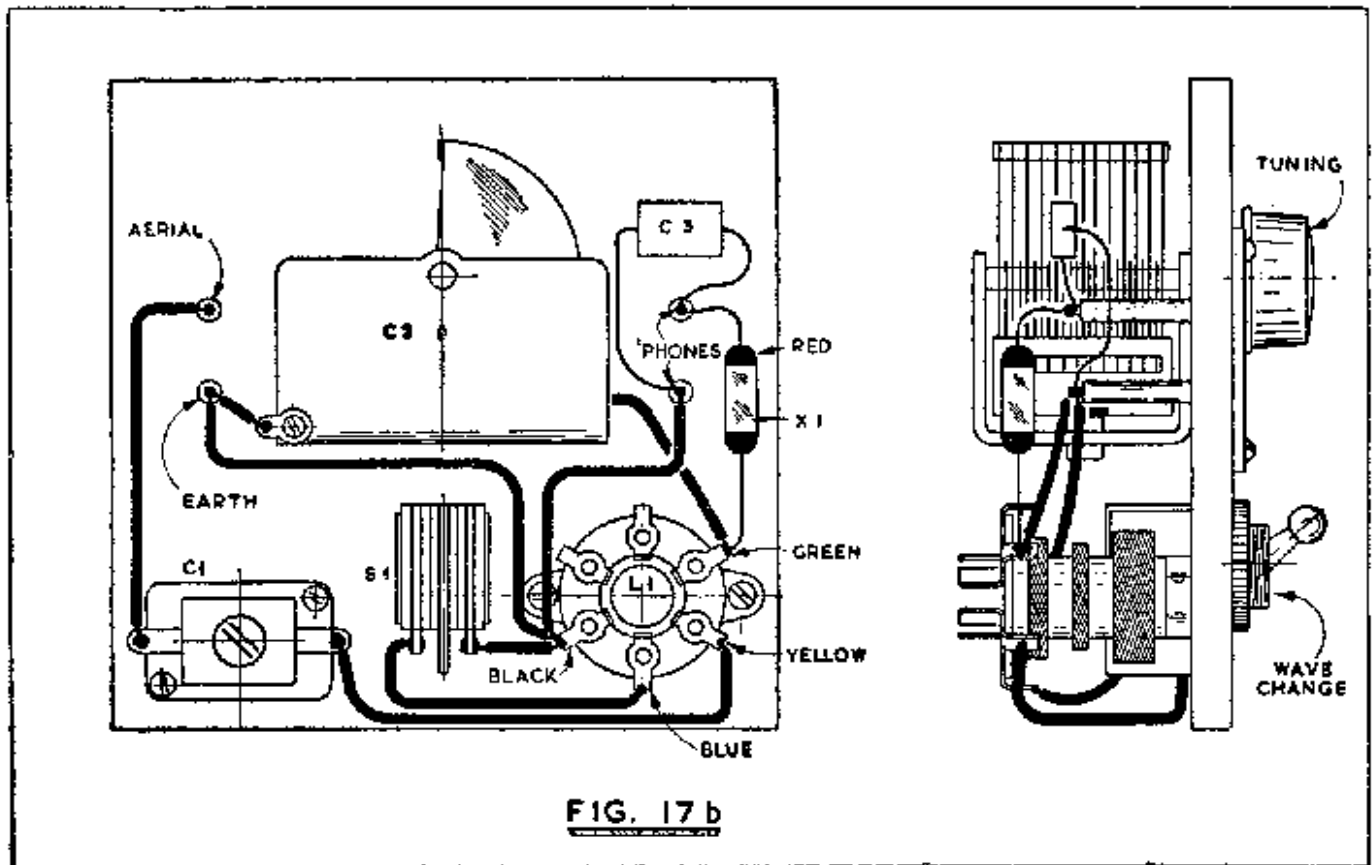
from the green tag on L1 and connecting it to yellow, at the same time removing the lead from C1 to yellow and connecting it to green. Once the best arrangement has been found the wiring

THE BOY'S BOOK OF CRYSTAL SETS

can be left permanently in that position. Note that two tags on the coil are unused, this is intentional because on this circuit the extra winding connected to these tags is not required. With the switch S1 closed, the coil will cover the medium wave-band, and when open, long wave stations can be received. It is customary to abbreviate the expression medium wave-band to M.W. and long wave-band to L.W.

Components List, Fig. 17a

- C1 100pF mica trimmer capacitor.
- C2 500pF variable capacitor (air spaced).
- C3 1000pF mica capacitor.
- L1 Dual Range Coil R.E.P. (Blue Box).
- S1 Single Pole toggle switch.
- X1 Germanium Crystal.
- 4 Terminals or wander-plugs and sockets. Perspex, bakelite or wood for mounting panel.



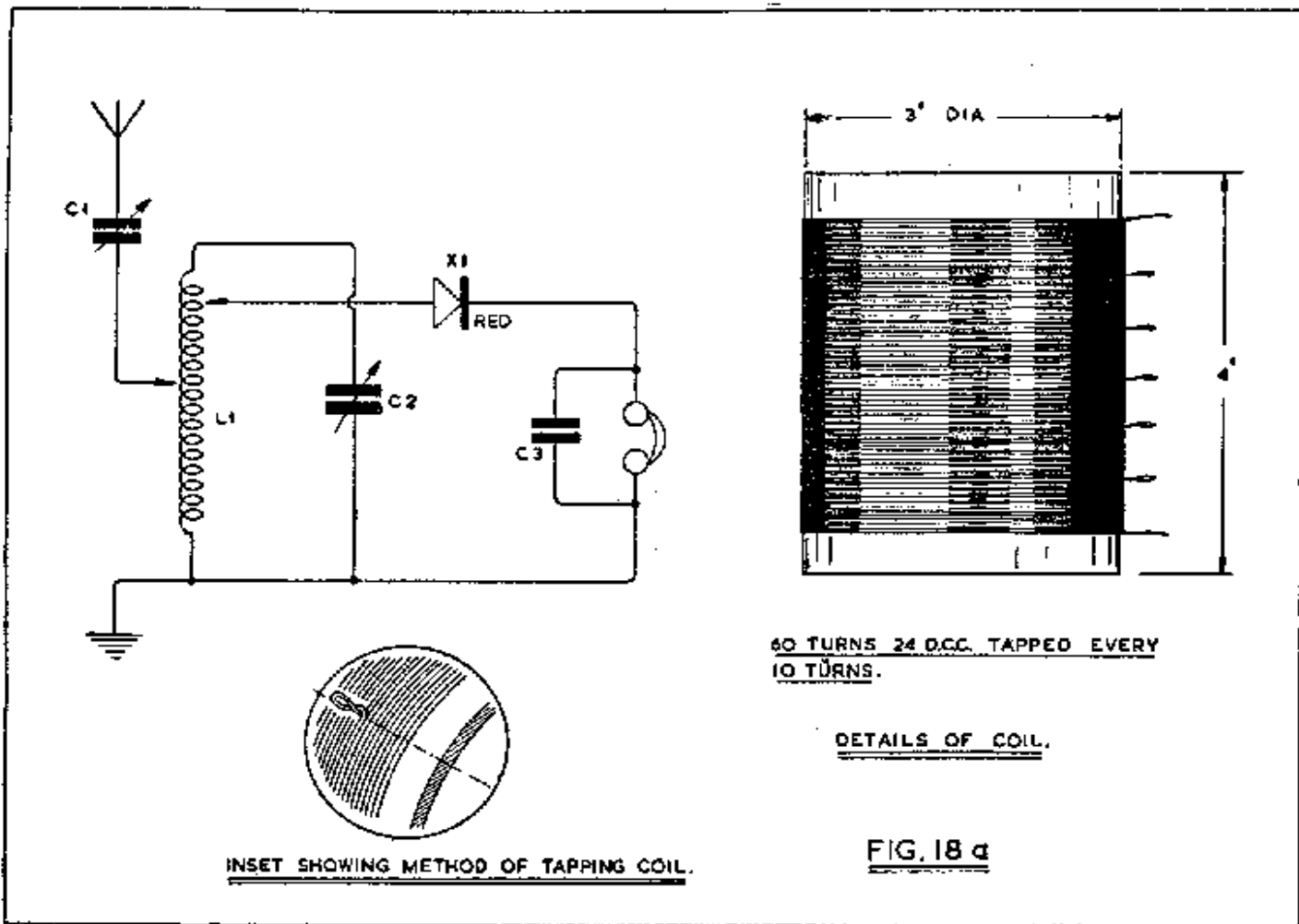
3

The design shown in Fig. 18a and 18b is more flexible than either of the preceding sets. That is, it can be varied to suit local conditions to a greater extent than the first two sets. This is made possible by the large number of taps provided on the coil.

You will notice that in this instance the coil is home-constructed on a cardboard former and is much larger than commercially produced coils. Coils wound in this manner are called **solenoids**, the turns are wound on side by side; in this case to a depth of some three inches. The diameter of the coil is made purposely large so as to obtain high efficiency. Modern commercial coils are invariably wave-wound and quite often are **litzendraht** which is the German for litz wire.

This wire is made up of a number of strands of fine copper wire, each strand is enamelled to insulate it from the others, the whole is then silk covered. Litzendraht is more efficient than solid copper wire, and by using this and wave-winding, manufacturers can produce an efficient coil which is also small. Unfortunately wave-wound coils cannot be produced without a complex winding machine and home-constructed coils must take the solenoid form. It would be possible to use litzendraht but it is not easy to obtain by the reel, it is most expensive, and is difficult to handle. This last point is because at termination points, each strand must be cleaned of its enamel before a joint is made, and if one strand is broken, its advantage over plain copper wire is lost. How-

THE BOY'S BOOK OF CRYSTAL SETS



ever, by using a former of reasonably large dimensions an efficient coil can be produced cheaply using ordinary copper wire.

The wire must be firmly secured at the start and finish of the windings. Pierce three small holes about $\frac{1}{4}$ " apart $\frac{1}{2}$ " from the end of the former. Pass the wire through the first from the outside, return it through the second and pass it back again through the third. Leave some 6" of wire at the end to make off the connection. It will now be possible to wind the turns on tightly without wire slipping.

Count on ten turns and make a loop 1" long. The method of preparing loops is shown in Fig. 18a, loops or taps should always be made in this manner, never by baring the wire and soldering a further length of wire to it. Carry on with the winding, making off the taps every ten turns as directed until the coil is complete.

Construction is carried out on a wooden base-board and front panel. Secure the coil to the base-board as shown on Fig. 18b, mount the remaining components and proceed with the wiring.

When testing out, it will be found that the further the aerial is tapped down the coil towards the earth end, the greater the selectivity. A position should be found which permits separation of local stations without excessive loss of sensitivity.

The crystal tap is adjusted for best results and different settings of C1 tried out, when choosing the best position for the aerial tap.

Components List, Fig. 18a

- C1 450pF padder.
- C2 500pF variable capacitor.
- C3 1000pF mica capacitor.
- L1 See text and Fig. 18a.
- X1 Germanium Crystal.
- 2 Crocodile Clips (to connect leads to coil taps).
- 4 Wander-plugs and sockets.

THE BOY'S BOOK OF CRYSTAL SETS

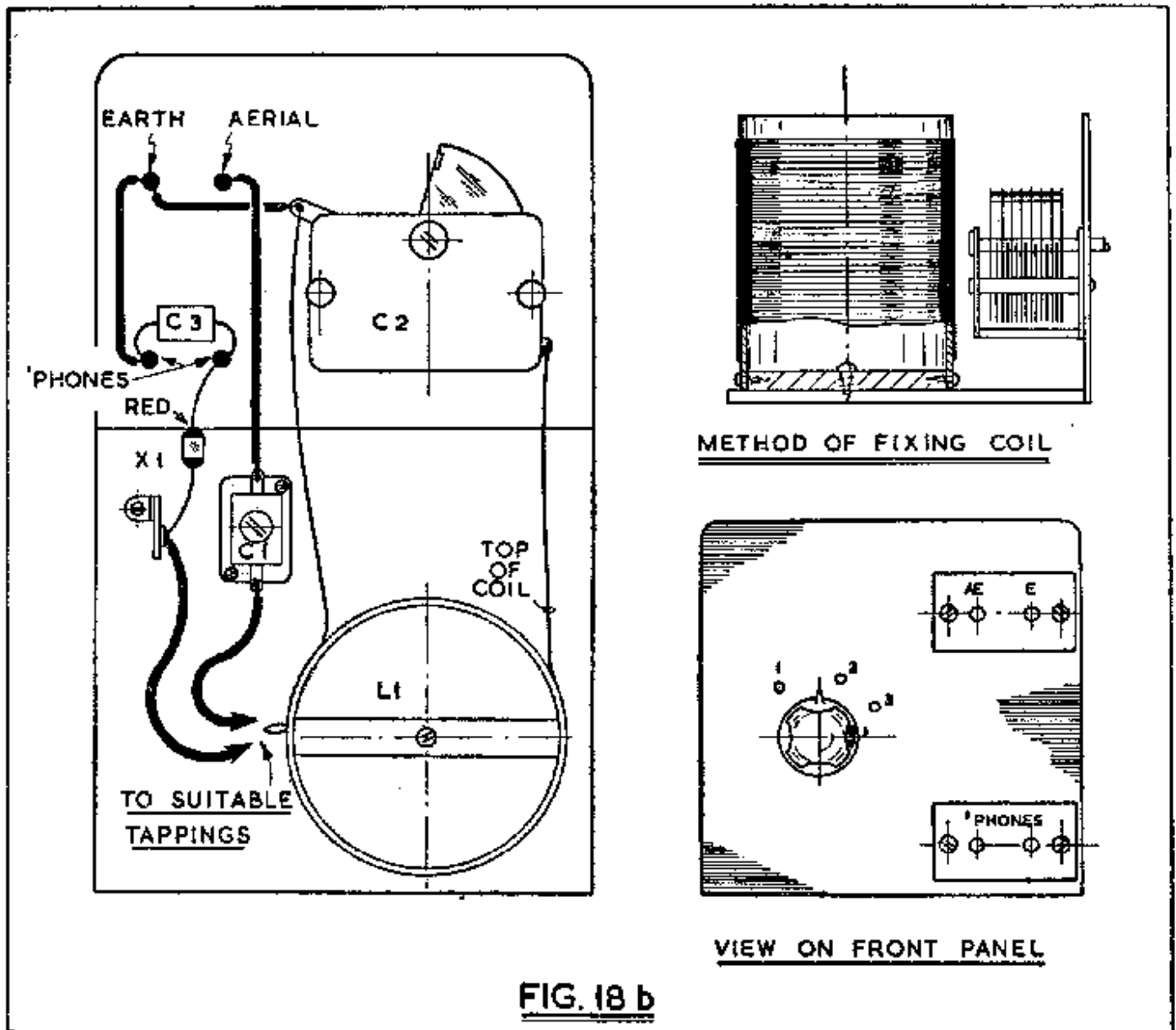


FIG. 18 b

4

A most unusual design is reproduced in Fig. 19a.

It first appeared in America about three years ago, and it certainly does offer some advantage over more conventional sets. The tuning circuits are duplicated and two crystals are used, so the circuit may be described as a full-wave receiver. Signals received will certainly be louder than with simple sets, but care must be taken with the coil winding, as with the other receivers using home-made coils, otherwise results will be disappointing. Be very careful to ensure that all three windings are in the same direction, this is very important.

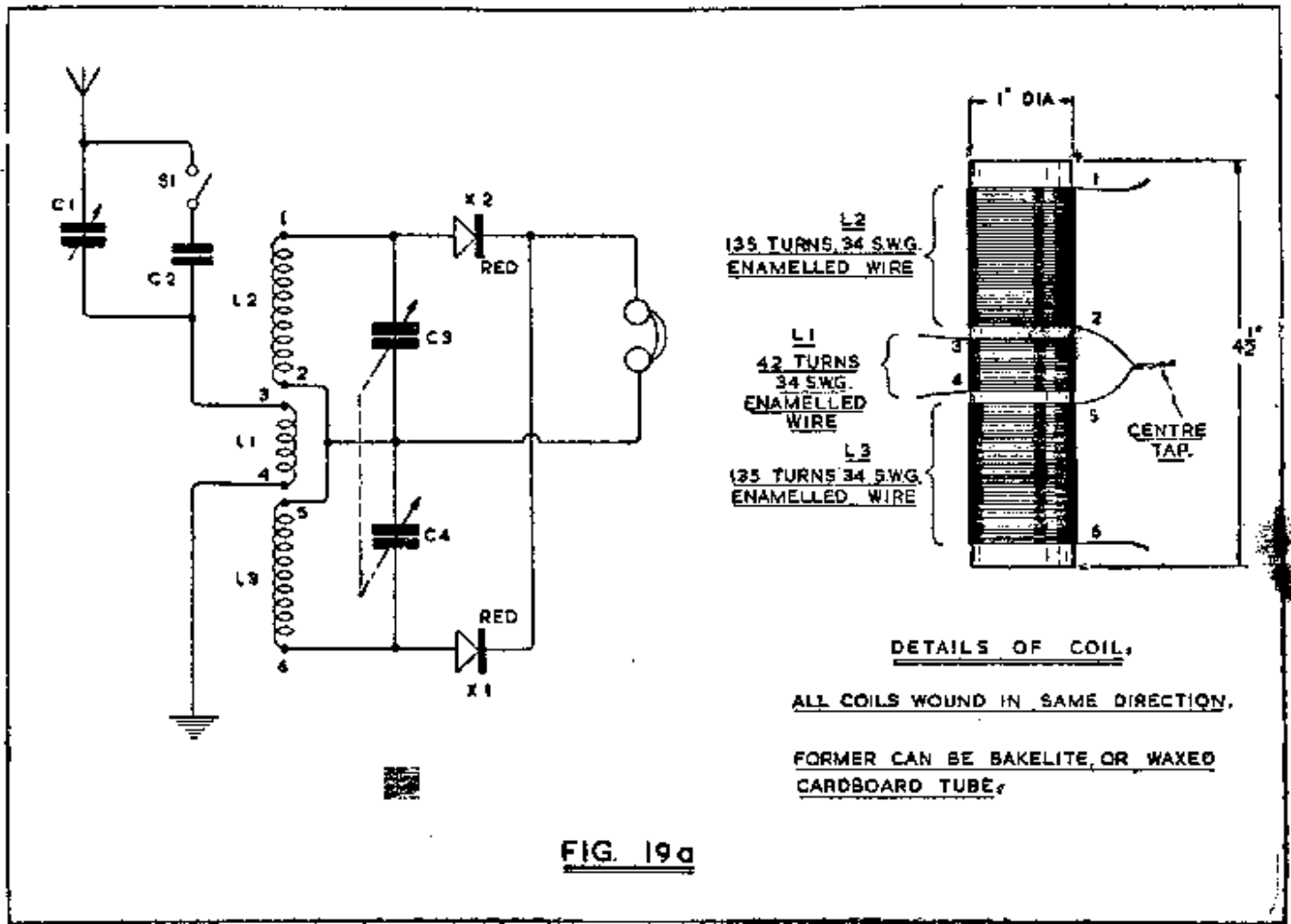
The distance between each winding should be $\frac{1}{4}$ ". After the coil has been wound it is a good

plan to warm it before a fire and paint the windings with "Durafix." Heating the coils makes the "Durafix" run freely. This substance sets quite hard and there will be no risk of the windings loosening. A small quantity of enamelled wire will cover the requirements of this coil, a 2 oz. reel will provide more than sufficient.

Before wiring in the germanium crystals, examine them carefully, note that one end is coloured red or in some cases marked with a positive sign thus +. You will notice, the sign is the same as the addition symbol used in arithmetic.

It is essential that both the red or positive ends are connected together, note that this is clearly marked on Fig. 19b. The receiver cannot work if

THE BOY'S BOOK OF CRYSTAL SETS



one of the crystals is connected the reverse way round.

A baseboard and panel form of assembly is used for this set which looks quite attractive if housed in a small polished cabinet. Dimensions are not at all critical but Fig. 19b gives a general idea of the layout that should be used. To avoid any unnecessary losses the coil should be mounted on perspex.

Obtain two strips of perspex $5\frac{1}{2}$ " long by $\frac{1}{2}$ " wide, drill fixing holes at both ends of each strip. It is best to clamp the two together when drilling these holes. Place one strip on the board in position, then put the coil and remaining strip over the first one and screw down. The coil will be clamped neatly and rigidly into position.

Twin socket bakelite strips are used to carry the aerial/earth and 'phone connections, if de-

sired terminals mounted on pieces of bakelite could be used. These socket strips can be purchased from most shops selling components. If feet are not provided, drill two holes and screw into the edge of the base-board. Tag-strips are used to anchor some of the wires from the coil, and the germanium crystals. These also can be purchased for a few pence. At least two tags are necessary on one, and three on the other, though if the strips have more tags than required it is of no consequence. C3-C4, the ganged tuning capacitors have trimmers fitted, this should be stipulated when purchasing, and when first operating the set these small trimming capacitances are set about half-way. The idea of these trimmers is, that they compensate for any difference between the self-capacity of the tuning coils. With the switch S.1 open, that is in the OFF position, ~~two~~

THE BOY'S BOOK OF CRYSTAL SETS

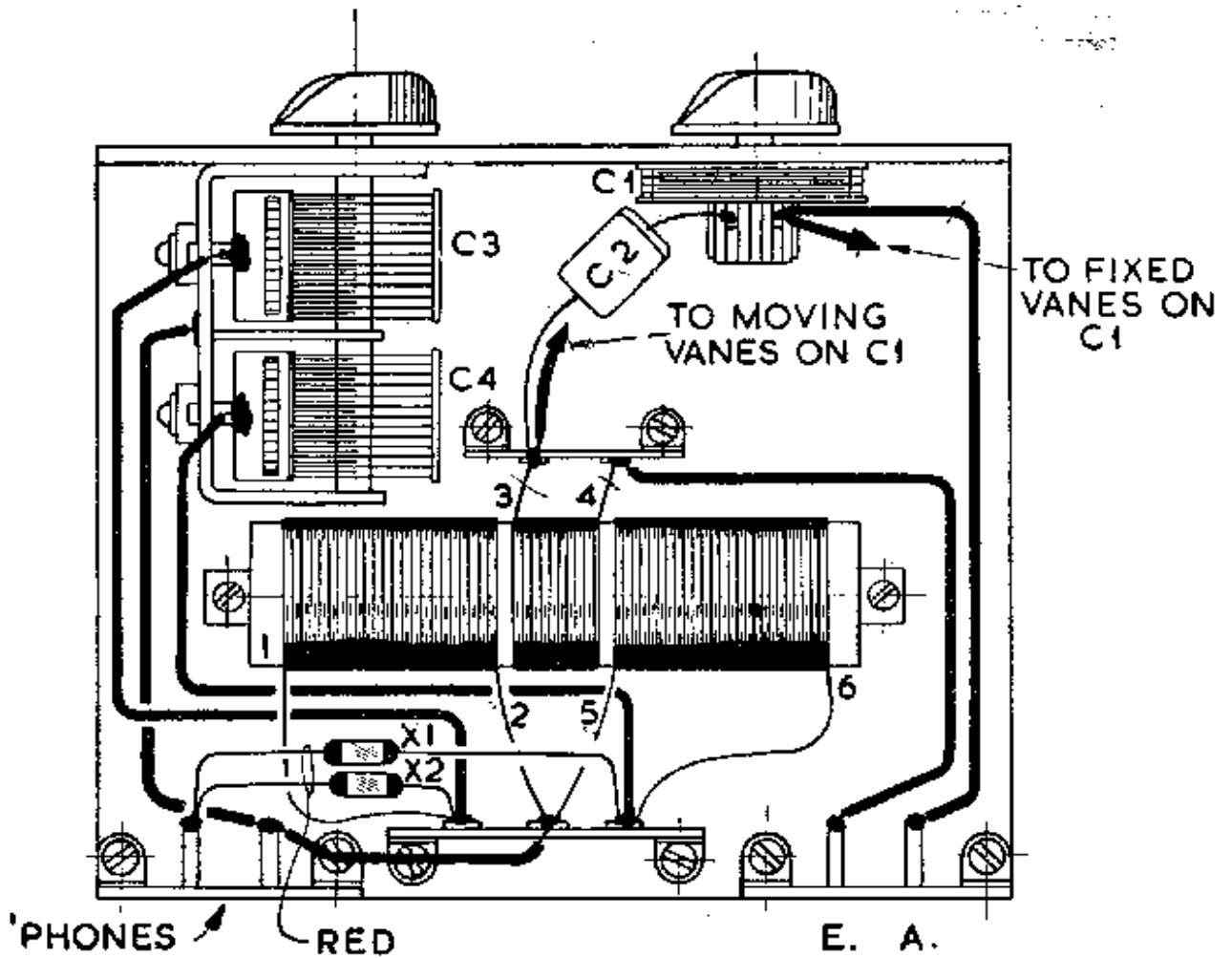
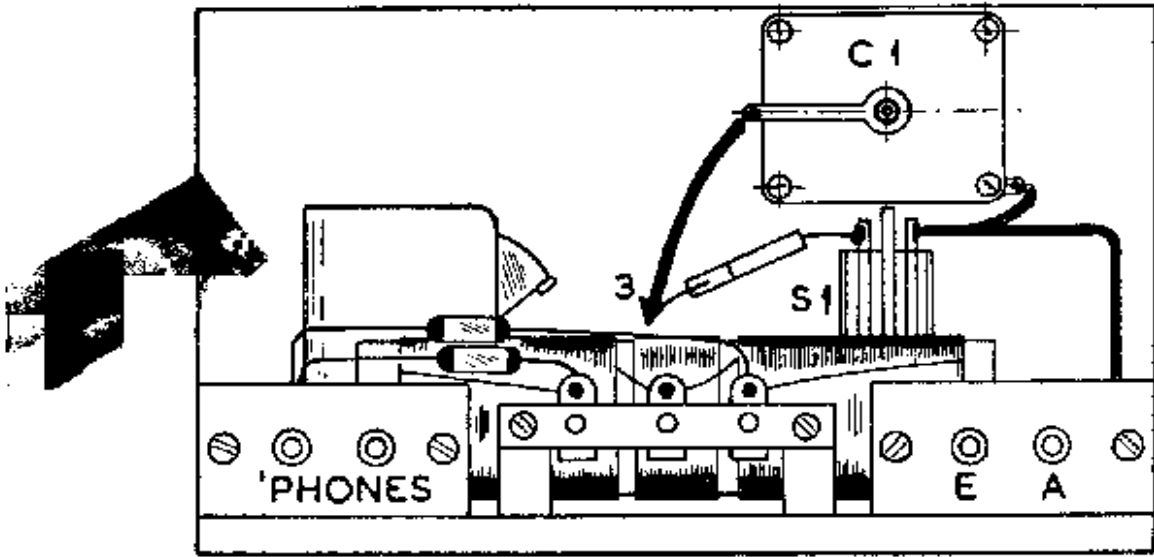


FIG. 19 b

THE BOY'S BOOK OF CRYSTAL SETS

in a station at the high-frequency end of the band, that is with the vanes of C3-C4 towards the disengaged position. Adjust C1 for maximum volume, without interference from other stations. Now adjust the trimmers for loudest headphone strength. It may be necessary to run over the adjustments several times for best results. Once they are correctly set, the trimmers require no further adjustment. The tuning coil covers the M.W. band, 1500 kc/s. to 600 kc/s., as the capacitor C3-C4 is advanced and the vanes start to mesh, the frequency to which the receiver tunes **decreases** so that with the vanes disengaged the set is tuned to 1500 kc/s. approximately and at full mesh, 600 kc/s. Switch S1 is used as follows, for stations **lower** in frequency than 850 kc/s it should be in the ON position with the contact closed, but for stations **higher** in frequency, it is in the OFF position. As an example both the London Home Service and London Light Programme transmitters on the M.W. band operate at a higher frequency than 850 kc/s. If any doubt exists as to the operating frequency of a given

station, reference should be made to the Radio Times which quotes both wave-lengths and frequency. If you know the wave-length in metres, it is simple to find the frequency. Divide 300,000 by the wave-length in metres, the dividend equals the frequency in kilocycles, i.e., $300,000 \div 300 \text{ metres} = 1,000 \text{ kc/s.}$ In the same way, dividing 300,000 by the frequency in kilocycles will produce the wave-length in metres.

To use the receiver, tune in the signal by C3-C4, adjust C1 for maximum volume without allowing stations to overlap.

Components List, Fig. 19a

C1	300pF solid dielectric variable capacitor.
C2	1000pF mica capacitor.
C3-4	500pF twin gang variable capacitor.
L1-2-3	See text and Fig. 19a.
X1-2	Germanium Crystal.
2	Tag-strips.
2	Twin socket strips.
S1	Single Pole toggle switch.

5

Whenever crystal sets are discussed, constructors are apt to think in terms of medium-wave reception. When you consider that at least 98% of published circuits are designed for this band (sometimes with the long-wave band thrown in as an afterthought) it is understandable. However, if you can provide a good outdoor aerial (and an equally good earth) there is a lot of fun to be had listening to the short-wave bands. This receiver is designed specially for short-wave reception.

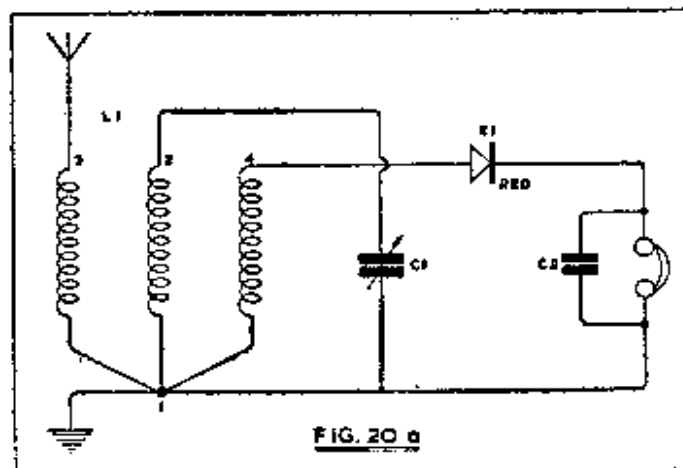
A metal chassis is used for construction, these can be obtained ready made in aluminium from most good supply houses. It can be quite small and on the original model a 6" x 4" was used. Low loss components are used so as to obtain greatest efficiency on the short wave bands. The coil is a commercial product which plugs into a 4-pin base. Best results were obtained on the 3mc/s to 7mc/s band though coils covering other bands are available.

Note that the tuning capacitor C1 is smaller than normally used and has a maximum capacitance of 140pF.

Coil type 706/R covers the 3mc/s to 7mc/s band, but the set is equally satisfactory on the M.W. band, and to cover this coil type 706P should be used. This coil has an iron dustcore which can be adjusted to make the coil cover the required band. The effect of the core is as if turns were being added or removed from an or-

inary coil. When dealing with the short waves it is customary to refer to the frequencies in terms of mega-cycles (mc/s) rather than kilo-cycles. One mega-cycle is equivalent to 1000 kilo-cycles, that is 1,000,000 cycles.

Layout and wiring can be clearly followed from Fig. 20b and a theoretical diagram is shown in Fig. 20a. Care should be taken when arranging a mounting for the aerial terminal. The best plan is to cut a 1" hole in the chassis, mount the aerial terminal on a piece of perspex and screw into the chassis. This avoids any unnecessary losses between aerial and chassis. The earth terminal is screwed directly into the chassis.



THE BOY'S BOOK OF CRYSTAL SETS

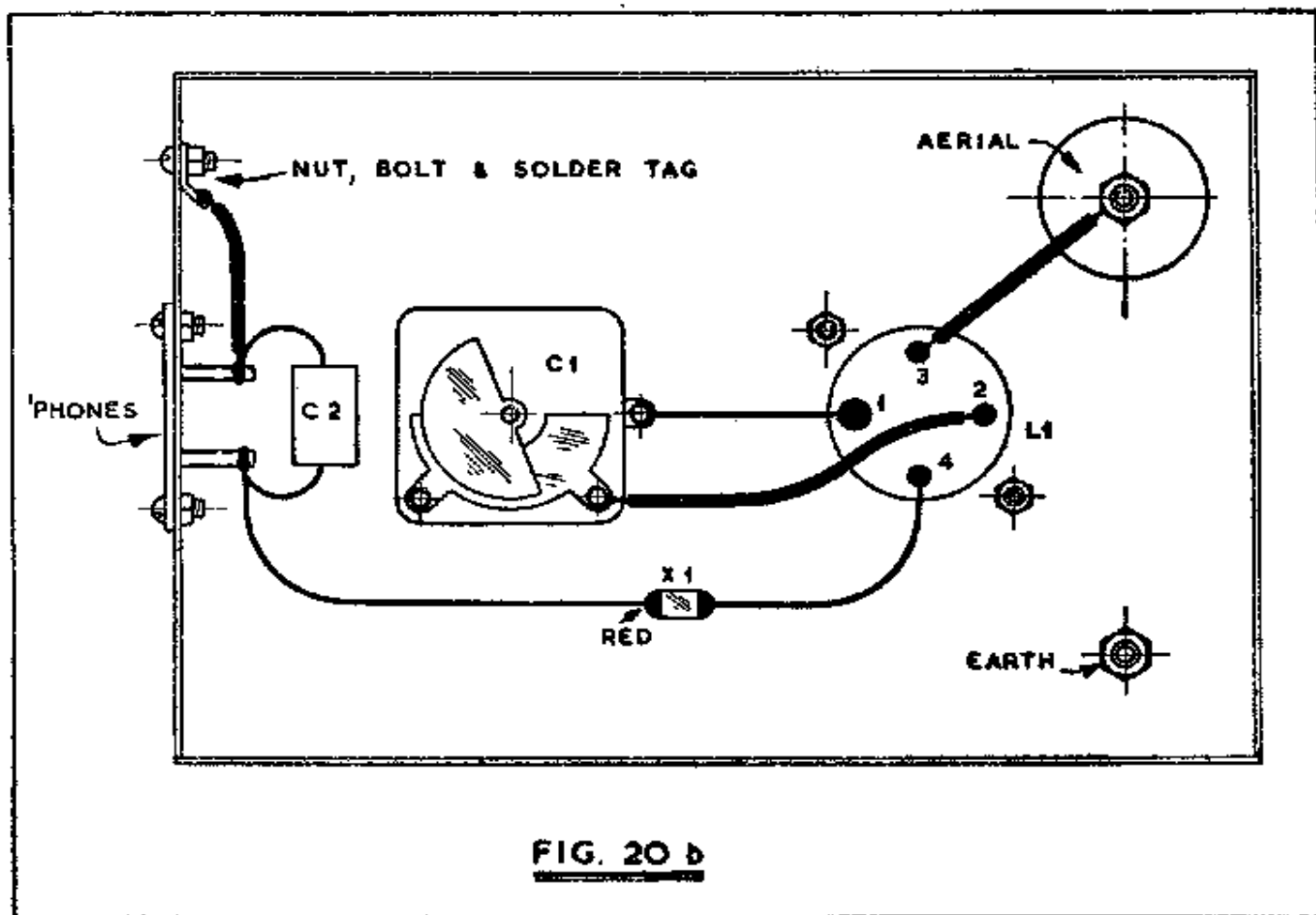


FIG. 20 b

Wiring as shown in Fig. 20a is likely to give the best results, but other arrangements are possible and to get the best out of the set they should be tried.

Refer to Fig. 20a. The aerial is connected to pin 3 on L1, C1 to pin 2 and X1 the crystal to pin 4. If you have a long aerial try this combination—Aerial to pin 4, C1 to pin 2, and the crystal to pin 3. Connections to pin 1 are not altered. In a few cases the following arrangement may prove best. Crystal and C1 to pin 2, aerial to pin 3, pin 4 left free and again pin 1 is unaltered.

Tuning on the short-wave bands is more critical than on the medium waves so tune very

slowly over the band and remember signal strength is likely to vary from day to day.

Components List, Fig. 20a

- | | |
|----|---|
| C1 | 140pF variable capacitor Eddystone 586. |
| C2 | 1000pF mica capacitor. |
| 1 | Coil holder Eddystone 707. |
| L1 | 3m/c—7m/c coil Eddystone 706/R. |
| 1 | Engraved tuning dial. |
| 1 | 6"x4"x2½" chassis. |
| 2 | Terminals (Aerial-Earth). |
| 1 | Twin socket strip ('phones). |
| X1 | Germanium Crystal. |

6

Fig. 21a-b is yet another design from America and appeared in Radio Craft some years ago, designed by Mr. W. J. Spain. The original used a silicon crystal which preceded the development of the germanium. Results are certainly very good though of course on the model built here,

a germanium crystal was used. Selectivity can be adjusted to suit all conditions and even at short distances from local stations. Good volume can be obtained without the programmes overlapping. Home made coils are used and for best results a 75' outdoor aerial is desirable.

THE BOY'S BOOK OF CRYSTAL SETS

Baseboard and panel construction is used, which can conveniently be housed in a small wooden cabinet.

Operation is a little more complicated than some of the other designs, but the results certainly merit the extra trouble taken. As with the other receivers much of the success obtainable is due to the coils and these must be carefully made otherwise results will be disappointing.

Layout and wiring can be followed quite easily from Fig. 21b and requires no special comment.

First make the coils. L1 is a tapped coil, the taps should be made in the same way as shown in Fig. 18b. It consists of 90 turns of 22 D.C.C. (double cotton covered) copper wire tapped at the following number of turns, 5, 10, 15, 25, 30, 40, 50, 60, 70 and 80. The former used has a diameter of 2". L2 is also wound on a 2" diameter former, this coil however is not tapped, it consists of 110 turns of 38 D.C.C. or enamelled copper wire. Great care must be taken when handling this wire, it is quite fine and in the

hands of the inexperienced will easily break.

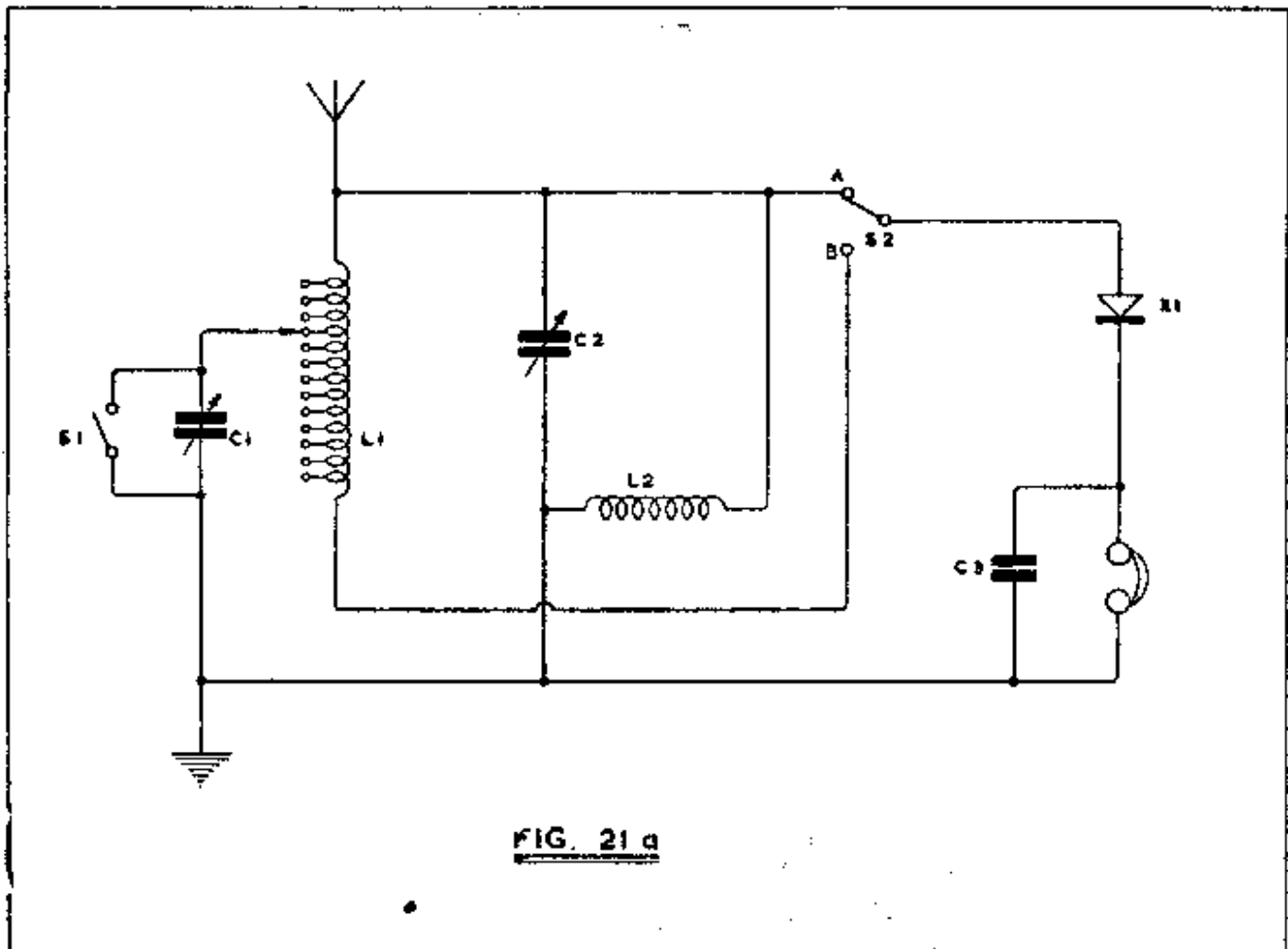
After wiring has been carried out the set can be put into operation.

Selectivity is controlled by S2, in position B tuning is broad but in position A it can be quite sharp.

When searching for a station switch S2 to B. Tune the station and switch S2 to A. The frequency range is controlled by the position of the tap on L1, a good plan is to start with the 5 turn tap on L1.

Components List, Fig. 21a

- C1 500pF variable capacitor.
- C2 500pF variable capacitor.
- C3 1000pF Mica Capacitor.
- X1 Germanium Crystal.
- L1 & L2 See text.
- S1 Single Pole toggle switch.
- S2 Single Pole 2-way toggle switch.
- 2 Twin socket strips
(Aerial/Earth and 'Phones).



THE BOY'S BOOK OF CRYSTAL SETS

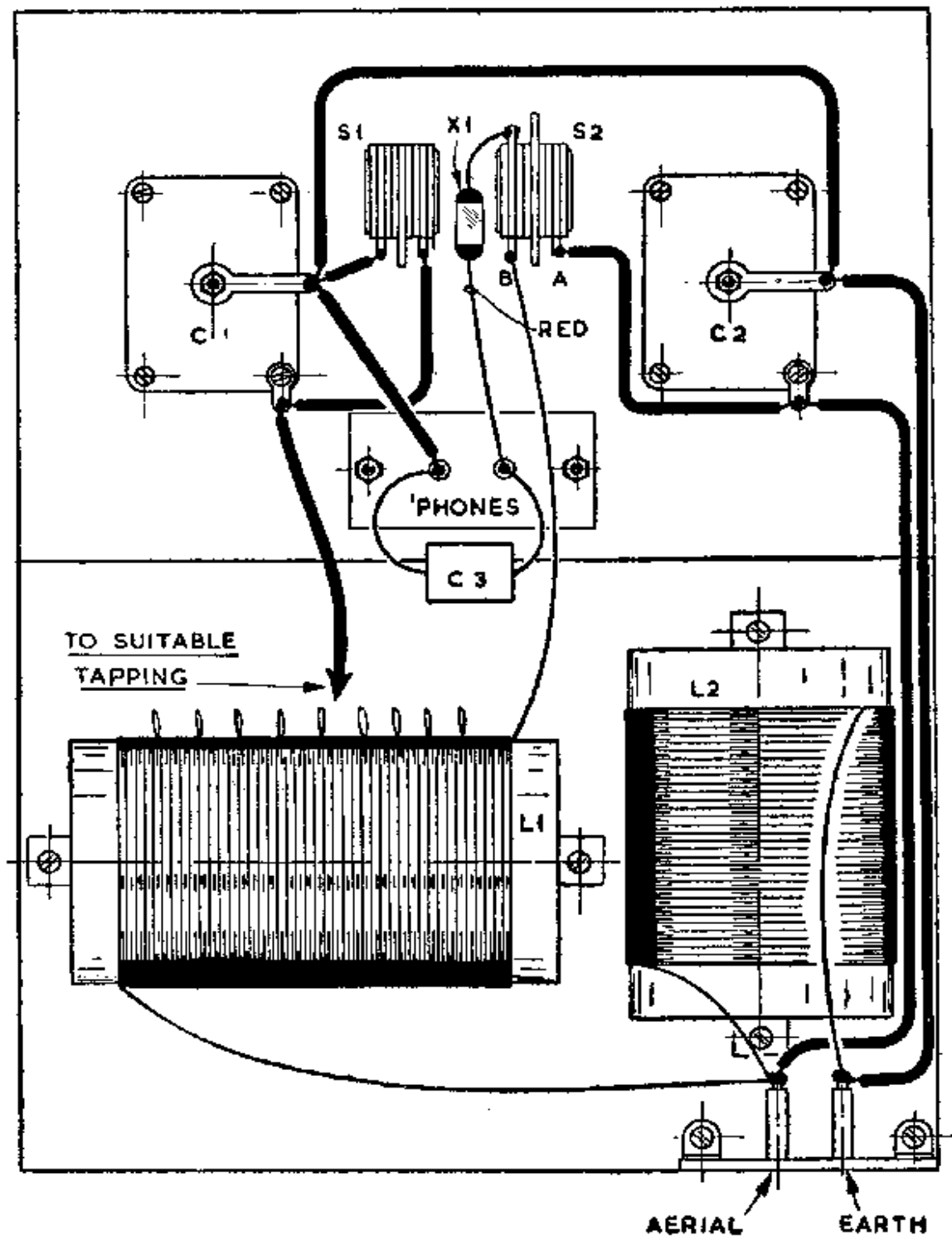


FIG. 21 b

THE BOY'S BOOK OF CRYSTAL SETS

Keep S1 open and C1 for tuning, adjusting the tap on L1 for best results. Very powerful signals are best brought in with S1 closed. When using C1 and adjusting the taps on L1, switch S2 is kept in the A position.

It will be found that C2 acts as a fine control on C1. One division of the tuning dial on C1 is

roughly equal to a movement of 20 divisions on C2.

Note that the coils are mounted at right angles to one another and that in this instance wood has been used as far as possible, an aluminium or other metal chassis is not suitable.

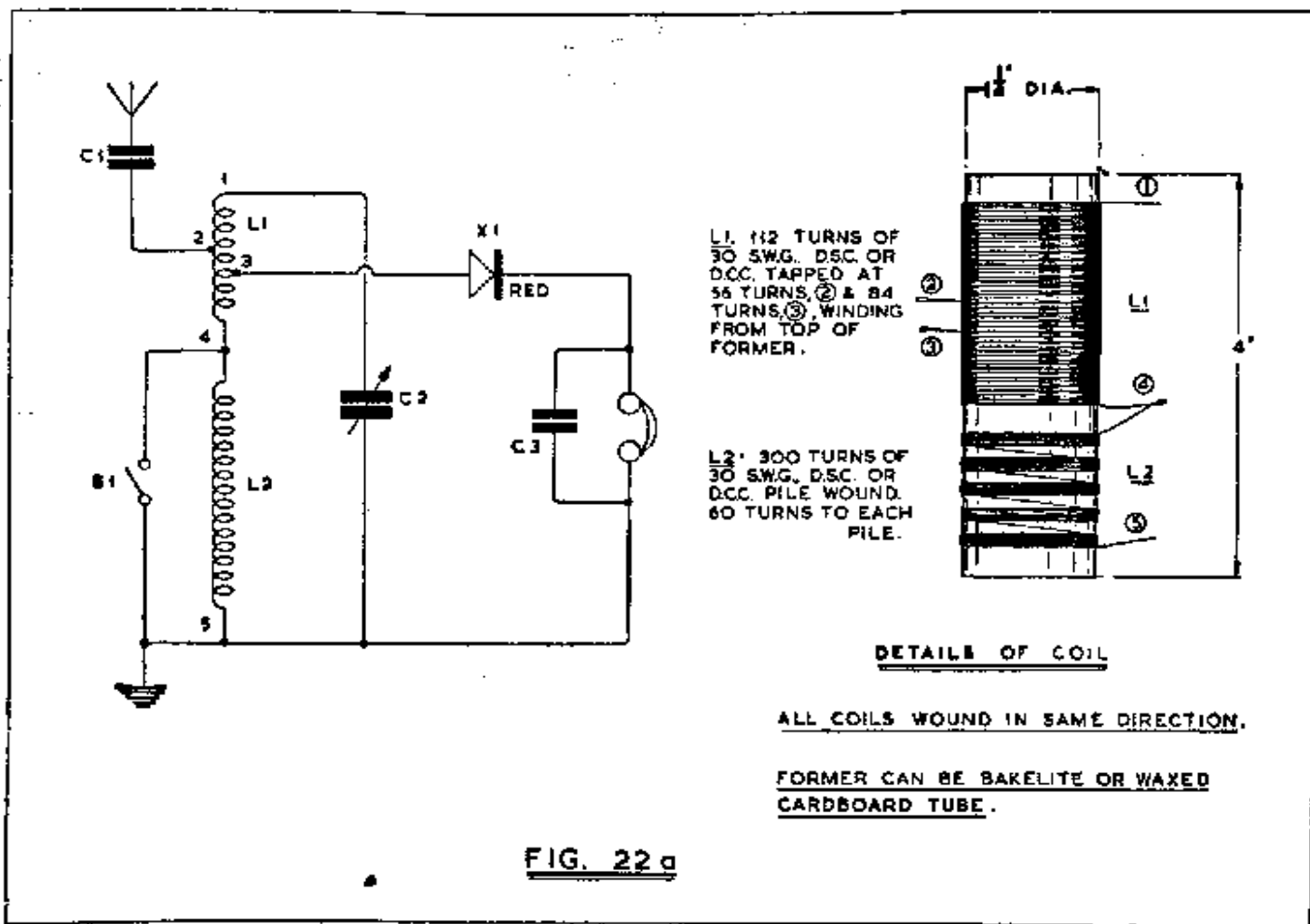
7

A very useful receiver for both medium and long-wave reception is possible with the circuit of Fig. 22a-b. A home-made coil is used. On the original a $1\frac{1}{4}$ " diameter former was used but in fact this is not very critical and a $1\frac{1}{2}$ " former could be used. An interesting point is the construction of the long-wave coil section. Solenoid coils as used for the medium wave-band are not efficient if the length is too great relative to the diameter. Now as the long-wave section has 300 turns, if wound as a solenoid the winding length would be very great and a lot of efficiency would be lost. To overcome the difficulty the coil is pile wound. If the whole coil were to be wound

in one pile it would still be inefficient because of the capacity formed in the winding, but by dividing it into five sections a coil of reasonable efficiency results. The same remarks concerning winding apply to this coil as to all the others in

Components List, Fig. 22a

- C1 300pF Mica Capacitor.
- C2 500pF Variable Capacitor.
- C3 1000 Mica Capacitor.
- X1 Germanium Crystal.
- L1-2 See Text.
- S1 Single Pole Toggle Switch.



THE BOY'S BOOK OF CRYSTAL SETS

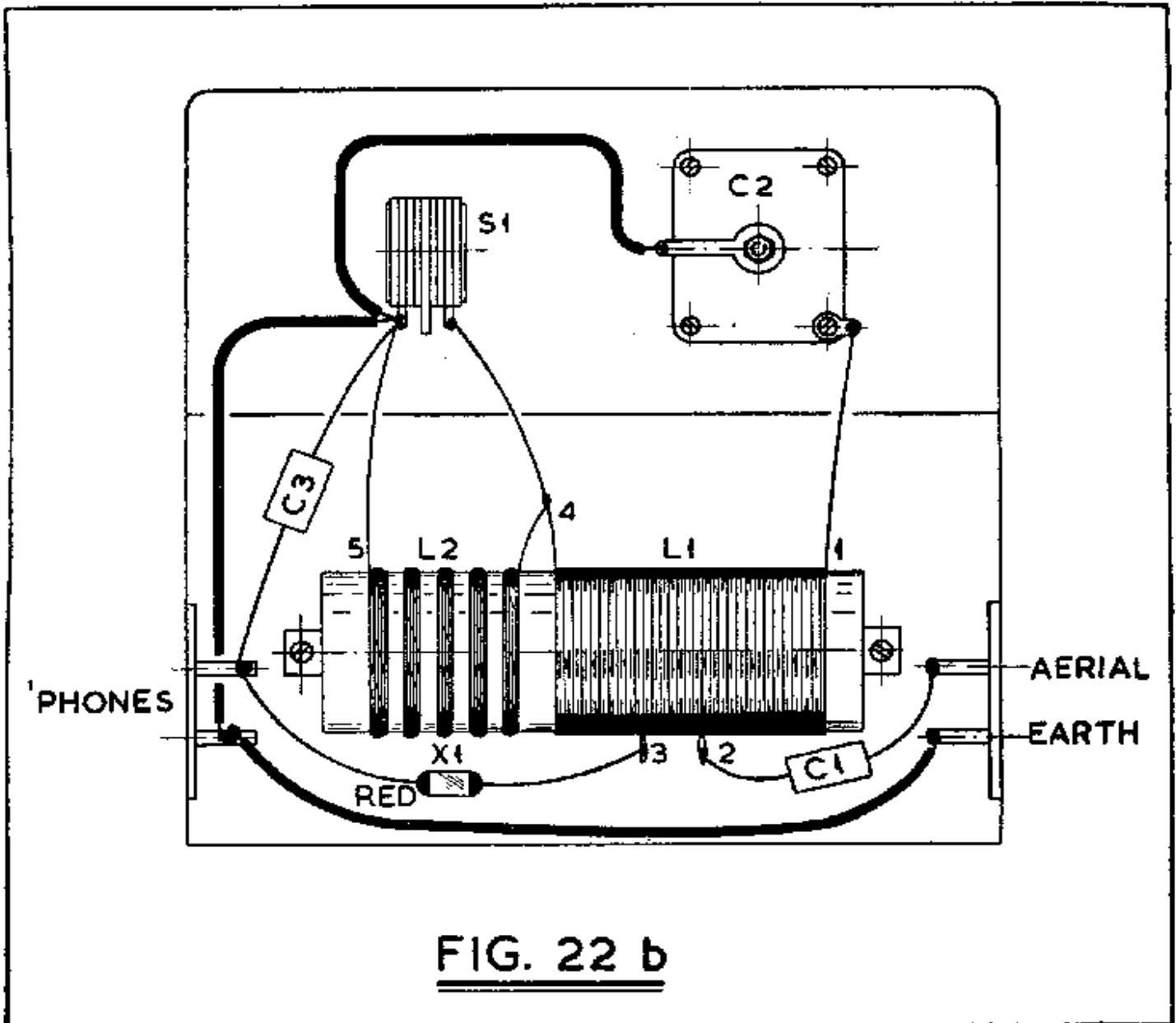


FIG. 22 b

this book, and readers should not, by this time, encounter any difficulties.

The design provides good selectivity with good sensitivity, and provided the set is not required to operate within a few miles of a powerful transmitter, no trouble will be encountered from interference between adjacent stations.

A wooden base-board and front panel is best for this design, and the wiring and layout can be clearly followed from Fig. 22b. Switch S1 is open for long-wave reception and closed for the medium-wave band.

Coil mounting can be on the same principle as for the full-wave design Fig. 19a-b.

8

If you look at all the other circuits shown in this book you will find that in each case the tuning capacitor and tuning coil are in parallel, this is by no means essential and the circuit of Fig. 23a shows a series arrangement that is the tuning capacitor is between the coil and earth instead of being wired up across it. This design

also appeared in **Radio Craft** a few years ago.

An interesting point is that the coil is a conversion adapted from another type of component. To make this coil you must obtain an old I.F. transformer as used in superheterodyne receivers.

You will require one designed to work anywhere between 450 and 470 kc/s. Some of the

THE BOY'S BOOK OF CRYSTAL SETS

very early ones worked at 110 kcs/ but these are unsuitable.

The I.F. transformer must also be of the type tuned by an iron dust core at each end.

Dismantle the transformer, remove the parallel capacitors and mounting wires so that you are left with two coil bobbins and their former. Be very careful when un-soldering the wires from the supports because the coils are usually wound in litzendraht and must remain intact. Remove 25% (approximately) of the turns from one coil which we will call the secondary, and completely remove the iron dust slug from this coil, now cut the former in half, and mount as in Fig. 23a. Warm the coils with heat from your soldering iron or from a fire and gently slide the coils into position at the ends of the former as in Fig. 23a. The wax will set again holding the coils in their new position.

Note that the wires from the coils are connected to tags on the mountings. These are pieces of bakelite, and usually the original end pieces used on the I.F. transformer can be used.

A word about soldering litzendraht. Do not attempt to use emery paper. Prepare the end of wire by removing the outer silk covering and dip the end in methylated spirits. Ignite with a match

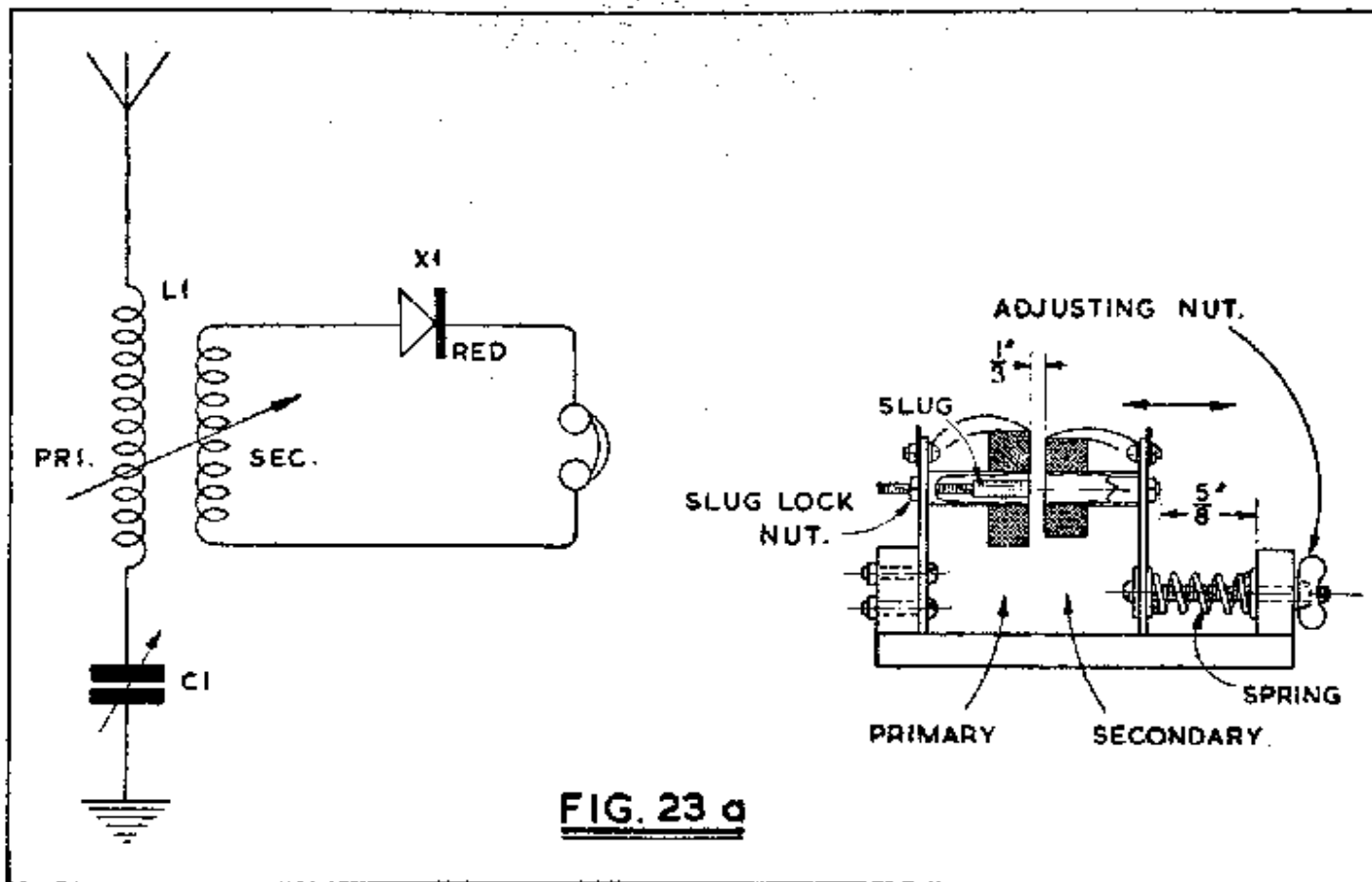
and after about five seconds wipe with a cloth held between finger and thumb. This will quench the flame and will remove all traces of enamel from the wire. It is a good plan to experiment with the odd length of wire removed from the secondary coil. If the coils prove to be constructed of ordinary copper wire, it can of course be prepared with fine emery cloth in the normal manner.

Components List, Fig. 23a

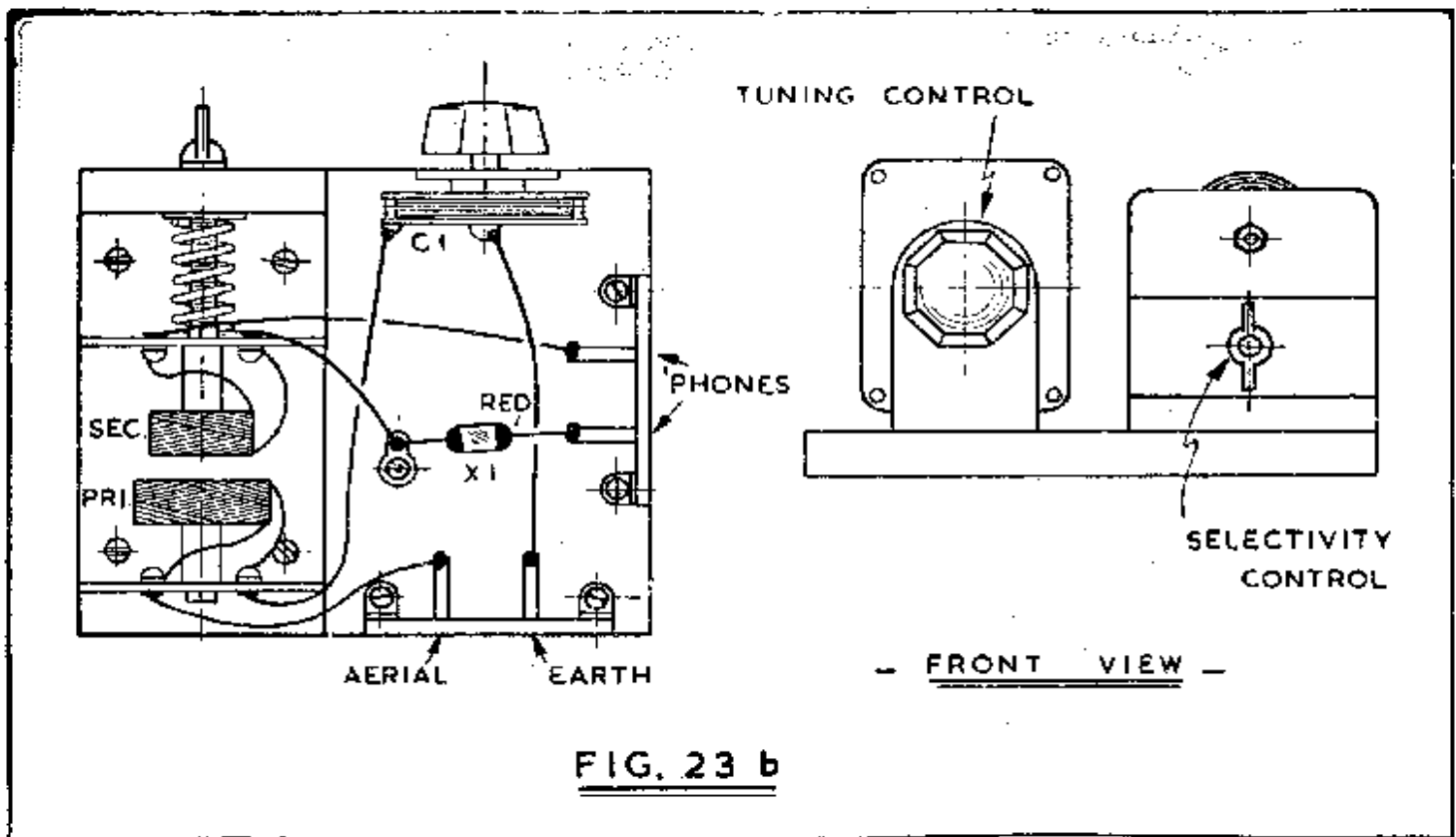
- C1 500pF variable capacitor.
- X1 Germanium Crystal.
- L1 See Text.
- 4 Plugs and sockets or terminals.

Wiring is straight forward as can be seen from Fig. 23b and requires no explanation.

Operation is as follows, selectivity is controlled by varying the distance between coils with the wing nut, and to an extent by the position of the primary iron dust core. Remember that the aerial and earth installations are as important with this set as with any other crystal receiver. No parallel capacitance appears necessary across the 'phones, the set works quite happily relying on the self-capacitance of the head-phones.

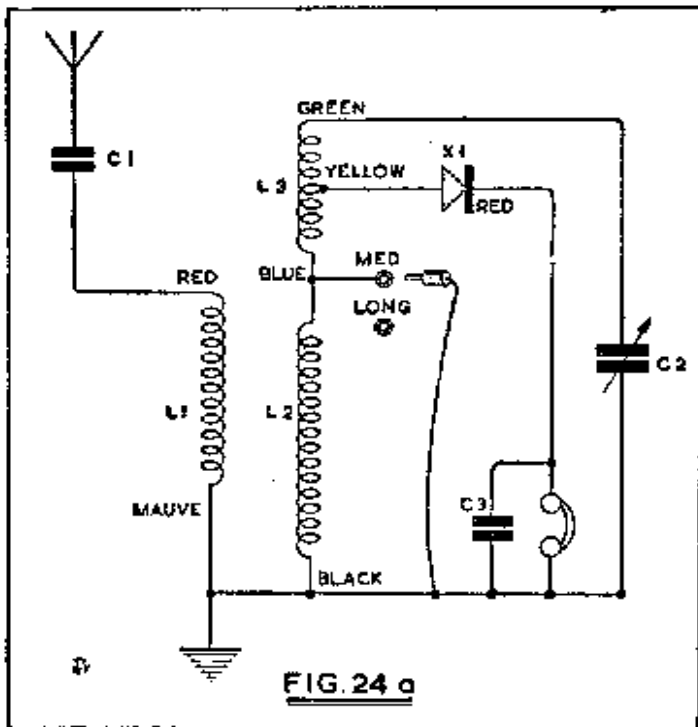


THE BOY'S BOOK OF CRYSTAL SETS



9

So as to give a truly varied selection of circuits, some of the sets have been designed around commercial coils whilst others use coils which must be home-constructed.



Most enthusiasts like to build their own coils but when it is a question of something really small combined with efficiency a commercial coil is the obvious choice.

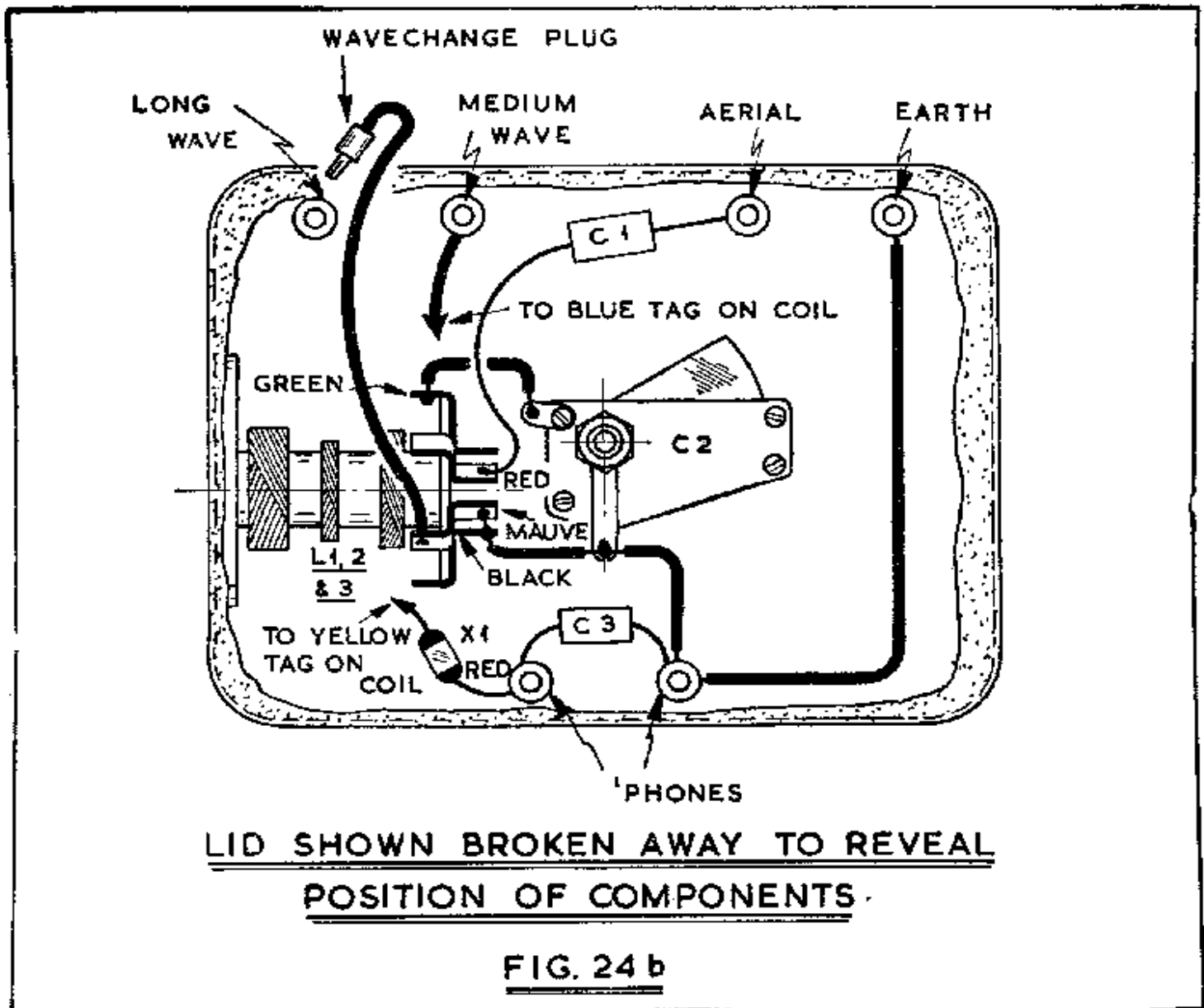
Fig. 24a-b uses a tobacco tin or a similar container just as the design shown in Fig. 16a.

This receiver however is a little more selective and is more suitable than the earlier design, if you are near a transmitter or have a very long aerial. Take great care to connect the coil according to the colours shown on the diagrams. Sockets are used for wave-changing, this cheapens the cost a little and they are just as efficient.

Components List, Fig. 24a

- C1 100pF Mica capacitor.
- C2 500pF variable capacitor solid dielectric.
- C3 1000pF Mica capacitor.
- X1 Germanium crystal.
- L1-2 R.E.P. dual range coil. Blue box.
- 6 Insulated wander-plug sockets.
- 5 Wander Plugs.
- 2oz. Tobacco tin or similar container.

THE BOY'S BOOK OF CRYSTAL SETS



10

In certain cases, signals from the local transmitter are too powerful to permit a crystal set with a normal coil to be of much use. I myself live in Hertfordshire a few miles from the London transmitters, and find a more elaborate circuit is necessary. Now in radio circles it is a well-known fact that the greater the number of tuned circuits, the greater the overall selectivity. Look at Fig. 25a, you will see that the usual L and C tuning arrangements have been duplicated. This type of circuit is known as a Band-Pass Filter. There are many kinds of such filters, this particular type is an inductively-coupled filter, note that energy from the first half (L2) is con-

veyed to L3 by way of two small inductors L1 and L4.

Tuning is quite sharp and the "feel" of the set is quite different from that of single coil designs. A small chassis is ideal for construction.

6"x4"x2½" was used on the original, though it could have been smaller.

Fig. 25b gives the layout and wiring.

Take particular notice that L1-2-3 is mounted horizontally and at right angles to L4-5-6, this is to prevent the coupling from being too "tight" which would ruin the idea of the filter. A good aerial and earth is of course necessary. It may be found on test that the selectivity is too great

THE BOY'S BOOK OF CRYSTAL SETS

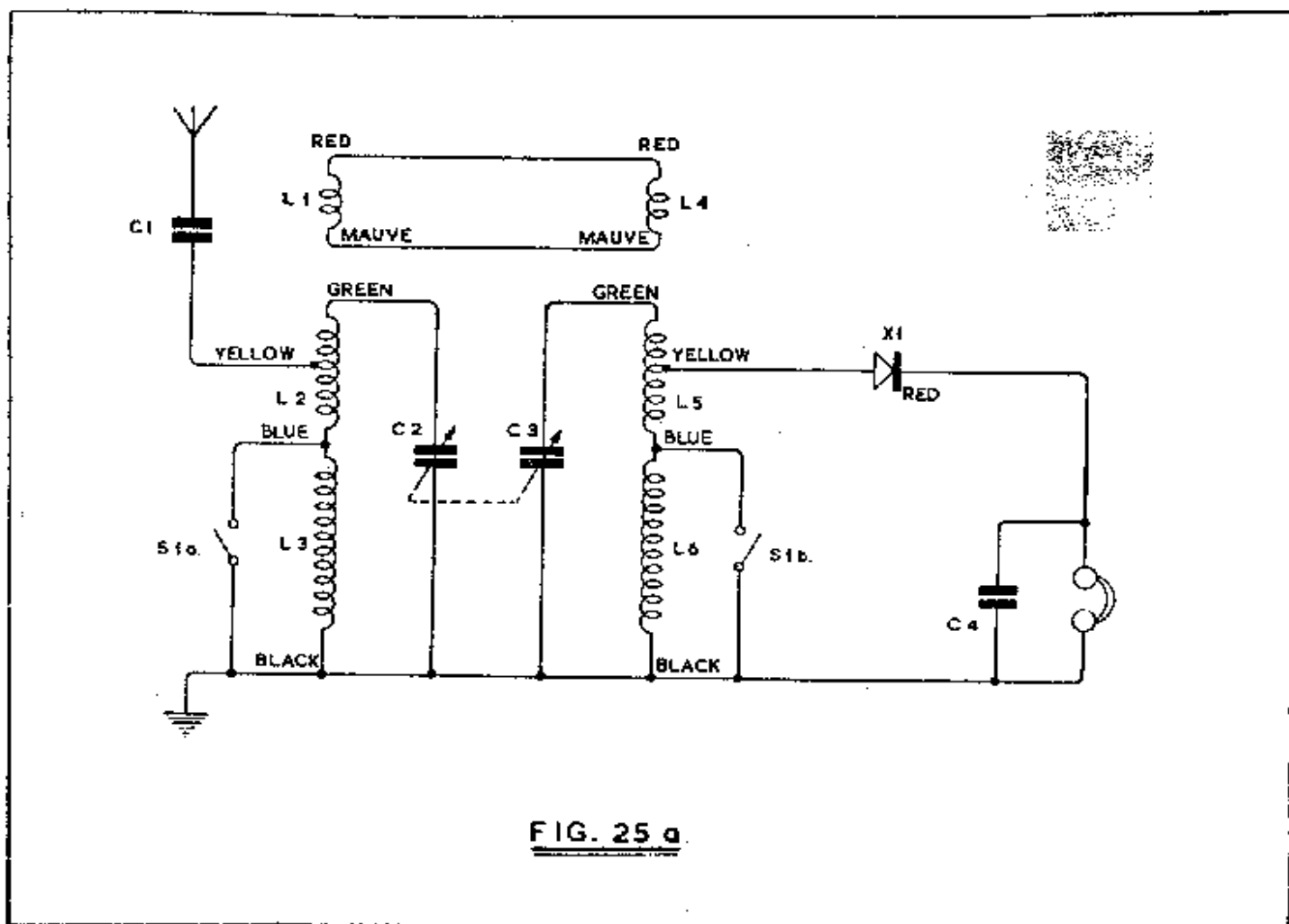


FIG. 25 a

and that volume has suffered. This can be ingeniously overcome by connecting a very small capacitance between the two Green tags on the coils. The simplest way is to connect it across the fixed vane connections on C2-C3. Values for this extra capacitance are a matter for experiment usually a value between 10pF and 47pF is sufficient. A small 50pF trimmer could be used and adjusted to suit. The ideal setting is to enable powerful adjacent stations to be received just short of overlap so that as much volume as possible is obtained.

There is one point to be observed with the ganged capacitor. It should be of the type fitted with trimmers though of course, there is no reason why you should not fit them yourself. These are to allow for differences between coils to be balanced out, and consist of a small variable capacitance across each main section.

When setting up the receiver, first set each trimmer at half way and tune in a station near the high-frequency end of the band (vanes nearly out) adjust the trimmers for maximum volume. If extra coupling capacity is added as described, try adjusting them further.

Once properly set up, no further adjustment is necessary.

Components List, Fig. 25a

- C1 100pF Mica capacitor.
- C2-3 2 x 500pF variable capacitor (see text).
- C4 1000pF Mica capacitor.
- L1-2-3 Dual Range Coil R.E.P. (Blue Box).
- L4-5-6 Dual Range Coil R.E.P. (Blue Box).
- X1 Germanium Crystal.
- S1a-b 2 pole single throw toggle switch.
- 4 Terminals or plugs and sockets.

RY'S BOOK OF CRYSTAL SETS

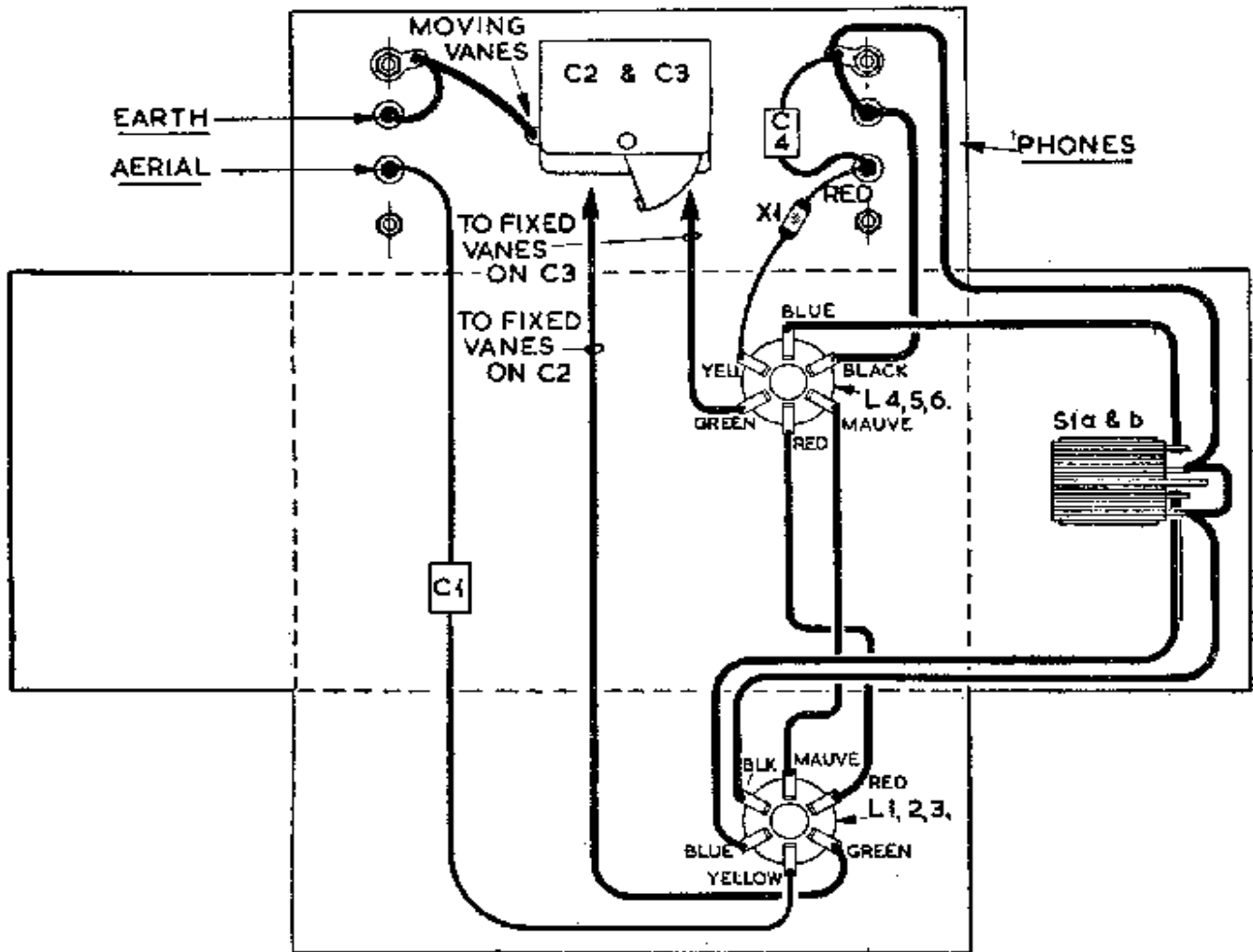
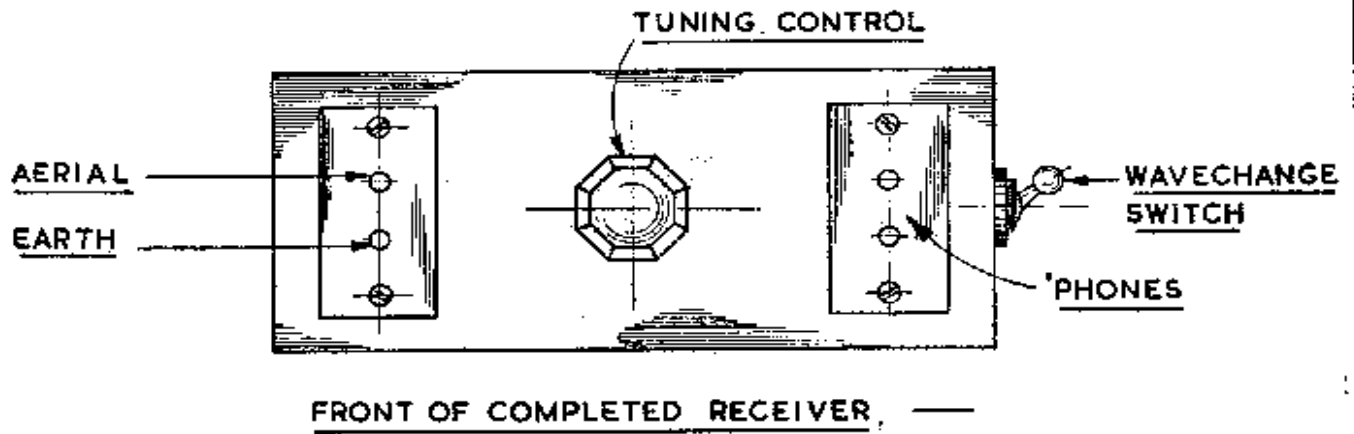


FIG. 25 b

THE BOY'S BOOK OF CRYSTAL SETS

11

Another band-pass circuit is shown in Fig. 26a. This time home-made coils are used. This filter is not inductively coupled but entirely capacitive, relying on C3. As in the previous circuit it must be adjusted to give just sufficient "broadness" to the tuning to provide adequate volume without station overlap. To avoid unwanted coupling a screen is mounted between the coils, this is necessary because due to the size of the coils they would be bound to couple quite tightly without it. Such precautions were not necessary with the circuit of Fig. 25a, as the commercial coils are much smaller physically and the risk of unwanted coupling reduced.

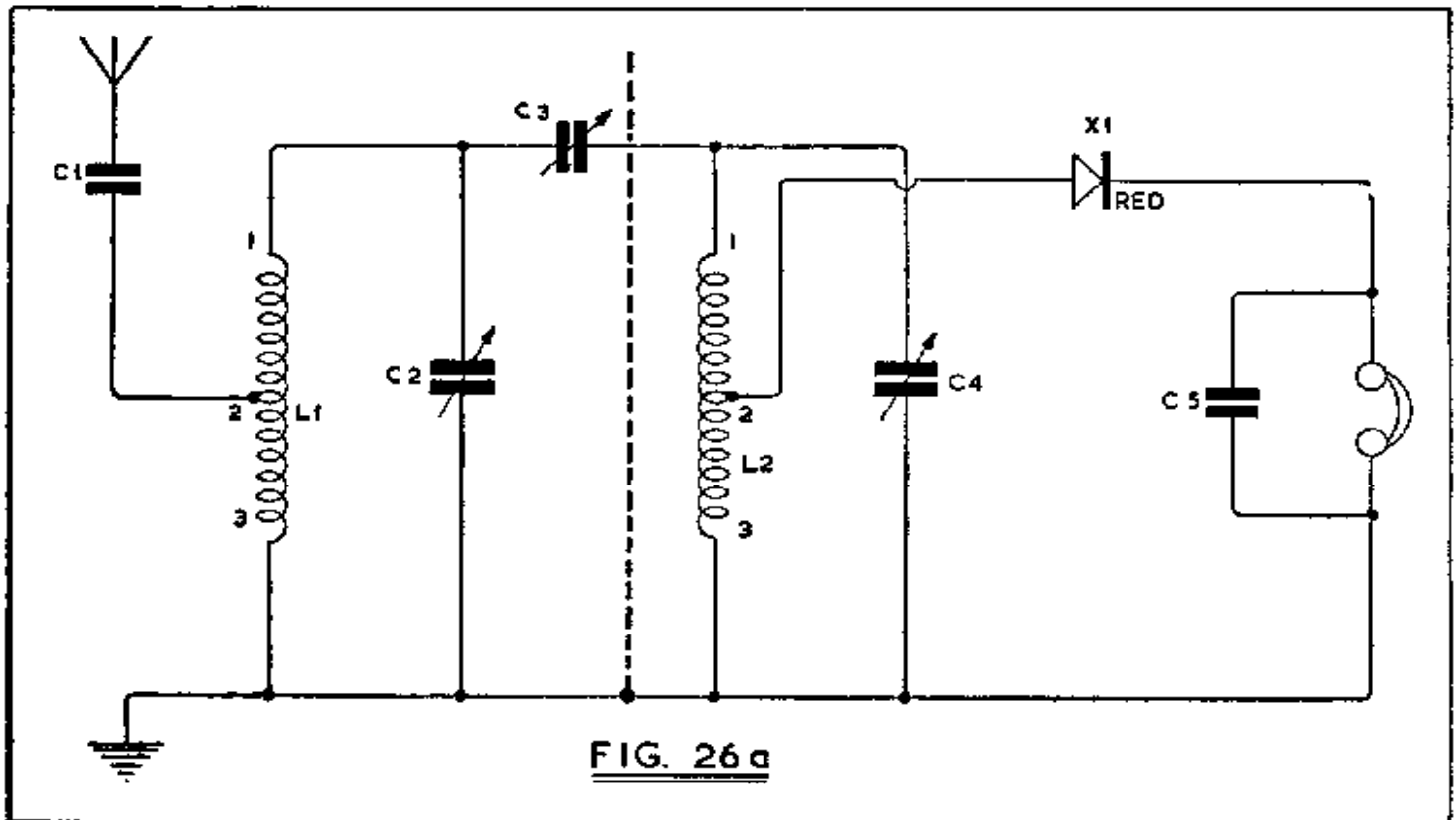
The coils for this receiver are for medium wave reception only, this keeps the size down. Coil winding procedure has already been fully explained, and covers all the requirements of these coils. Base-board and panel construction is used, and for more accurate tuning since the coils are home-made, separate tuning capacitors are re-

commended. Fig. 26b gives the layout and practical wiring.

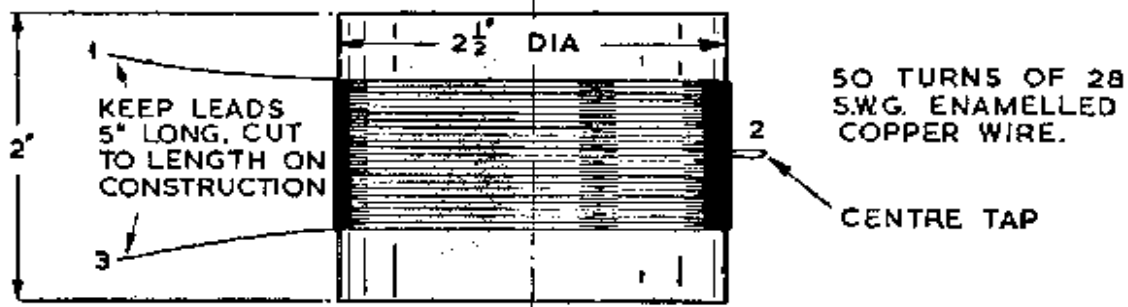
Components List, Fig. 26a

- C1 100pF Mica capacitor.
- C2 500pF variable capacitor.
- C3 50pF Mica trimmer.
- C4 500pF variable capacitor.
- C5 1000pF mica capacitor.
- L1-2 See text.
- X1 Germanium Crystal.
- 4 Terminals or plugs and sockets.

For those who do not wish to bother with these a ganged capacitor can be used, but tuning may not be as good as with separate ones. The screen mounted between the coils is of aluminium or copper and should be about 1" higher than the coils and the same length as the baseboard depth.



THE BOY'S BOOK OF CRYSTAL SETS



COIL DETAILS.

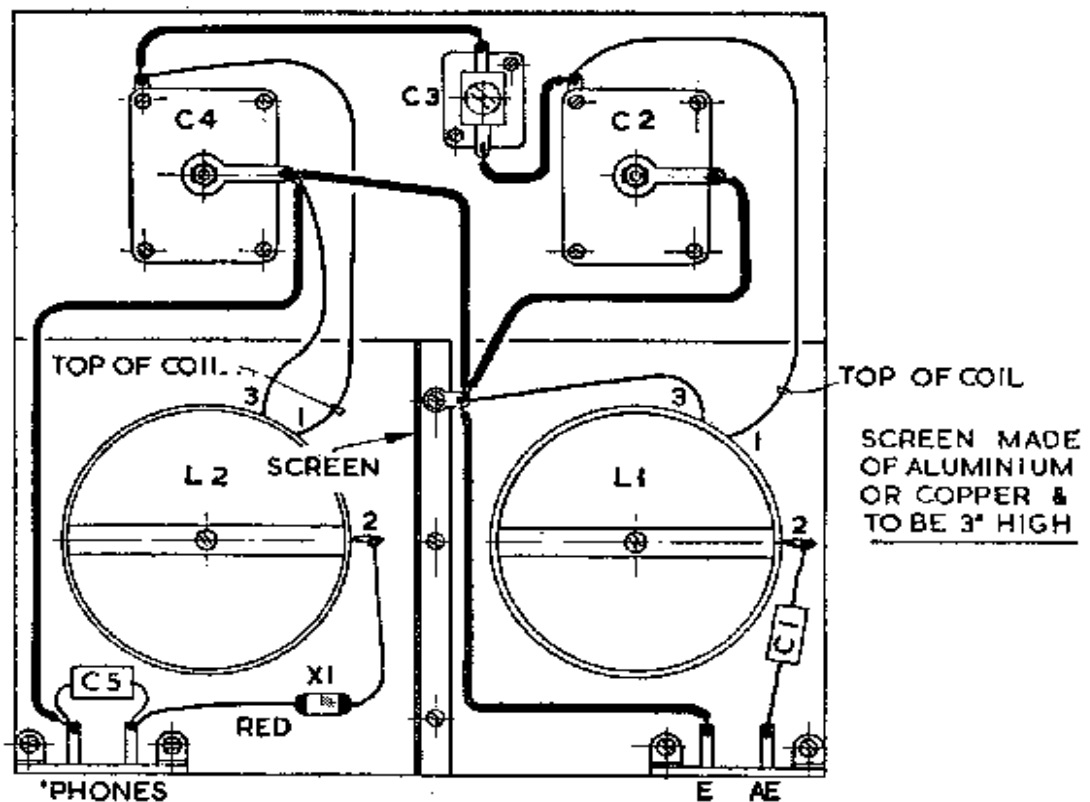


FIG. 26 b

12

Fig. 27a-b uses a band-pass filter for tuning, and the coils are home-constructed.

With this design a ganged capacitor is quite suitable as the coils tune quite accurately. It is essential that the coupling condenser C3 is **non-inductive**, there will be no difficulty in obtaining a new component of this pattern but it is as well to avoid old components which may not employ this form of construction.

Receivers using this type of filter are used to the best advantage when situated a short distance from a powerful transmitter and if selectivity is not important this particular design is not the most suitable.

Both medium-waves and long-waves are catered for: consider L1-2-3, this is the first half of the filter.

L1 is the aerial coupling coil, with S1 closed,

THE BOY'S BOOK OF CRYSTAL SETS

the medium-waves are received. This coil is inductively coupled to L2 and L3. Again with S2 open L2 and L3 combined cover the long-waves and when S2 is closed the medium waves are covered.

Tuning for this half of the filter is by means of the capacitor C1, which is one half of the ganged capacitor. A screen is erected between the two sets of coils comprising the filter, and coupling is effected by C3, an earth return for the coils is provided by R1.

L4 and L5 operated in a similar manner to L2 and L3, tuning is by means of C2, the remaining section of the ganged capacitor. You will realise that the coils must be accurately wound otherwise tuning will not remain constant between the two sections over the band.

The ganged capacitor should be fitted with trimmer capacitors when purchased so that the two circuits can be balanced.

You will have noticed that this circuit uses three sets of switch contacts. A three-pole two-way wafer switch is the best choice otherwise either two or even three separate switches are

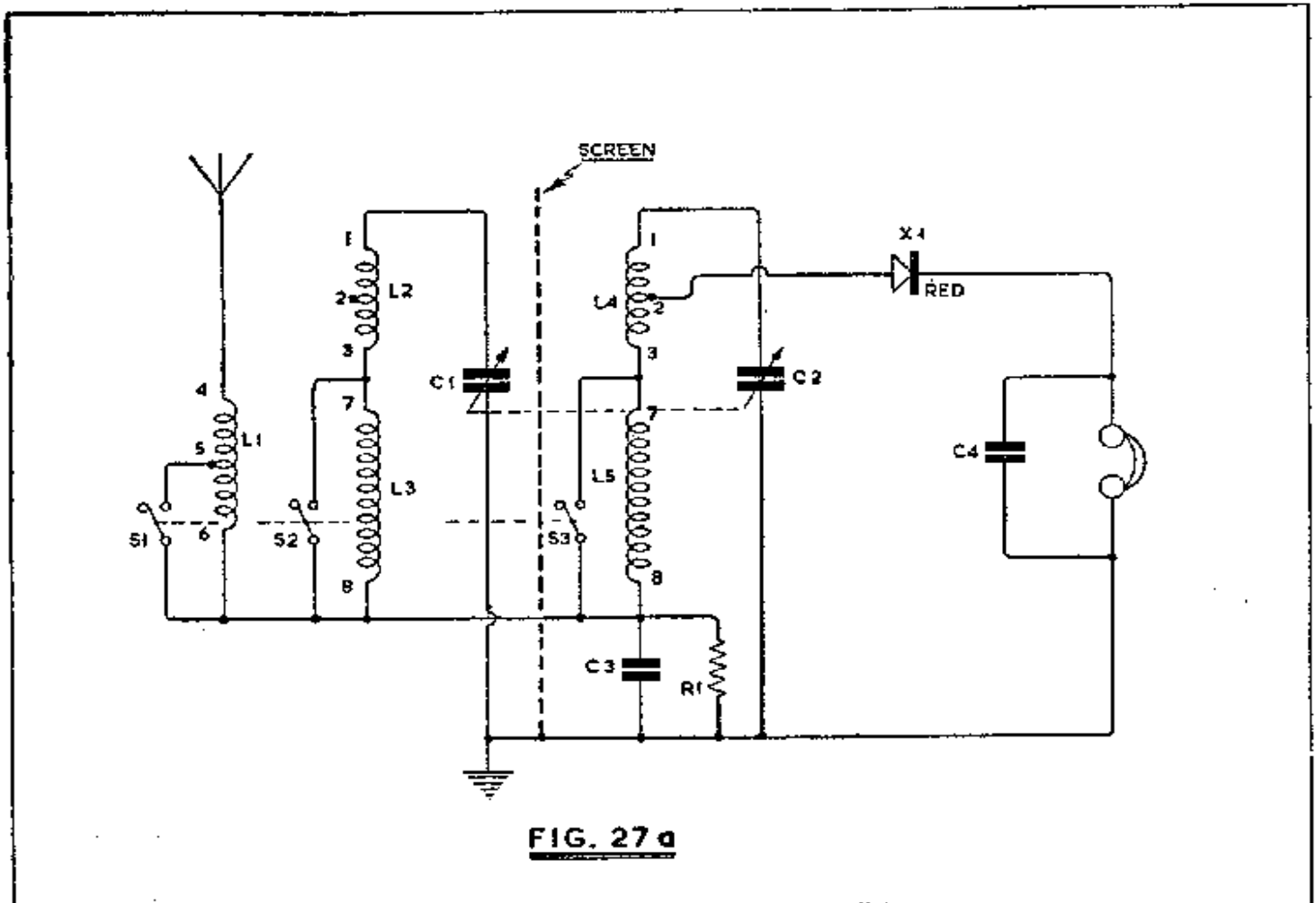
necessary. All the necessary coil details are given, in the diagrams, the tap on L4 is made in the same way as shown for other coils in the manual. One other component used only on this design, is the resistor R1, its size is not important because the current flowing is so small it can be ignored.

A $\frac{1}{4}$ watt rating is adequate, its precise value is not critical so that a 20% tolerance component is quite suitable.

Resistors are coded by colours and the 1000 Ω type you require will bear the following sequence. At one end will be painted three coloured rings.

Components List, Fig. 27a

- C1-2 500pF 2 gang, variable capacitor.
- C3 0.05mfd. non-inductive paper capacitor.
- C4 1000pF mica capacitor.
- R1 1000 ohm resistor.
- X1 Germanium Crystal.
- S1-2-3 3-pole 2-way wafer switch.
- L1-2-3 & L4-5 See text.
- 4 Terminals (Aerial, Earth and 'Phones).
- Sheet copper or aluminium for screen.

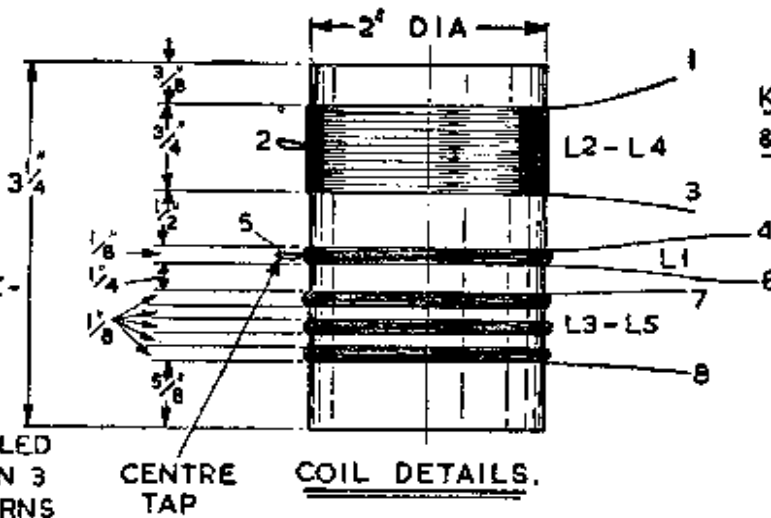


THE BOY'S BOOK OF CRYSTAL SETS

L2-L4
58 TURNS No.30
S.W.G. ENAMELLED
WIRE, CENTRE
TAPPED.

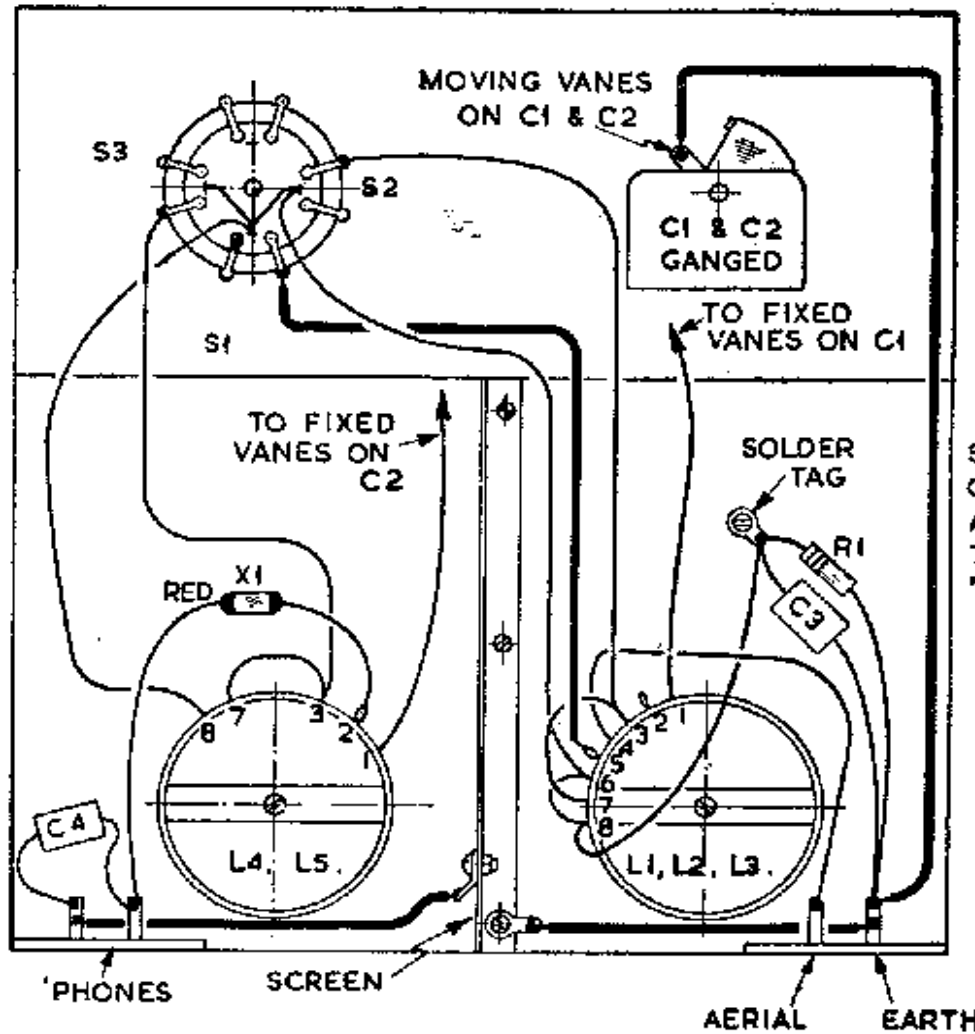
L1, 75 TURNS
No.36 S.W.G.
ENAMELLED WIRE-
PILE WOUND.

L3-L5
174 TURNS No.
36 S.W.G. ENAMELLED
WIRE - WOUND IN 3
PILES OF 58 TURNS



KEEP LEADS 6" LONG
& CUT TO LENGTH ON
CONSTRUCTION

ON COIL L4 & L5,
OMIT WINDINGS
4 TO 6



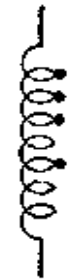
SCREEN MADE
OF COPPER OR
ALUMINIUM &
TO BE 4 1/2" HIGH.

FIG. 27 b

THE BOY'S BOOK OF CRYSTAL SETS



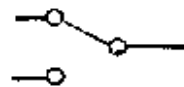
VARIABLE CAPACITOR



TUNING COIL WITH TAPPINGS



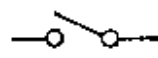
CRYSTAL DETECTOR



SINGLE POLE DOUBLE THROW SWITCH



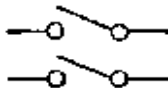
FIXED CAPACITOR



SINGLE POLE SINGLE THROW SWITCH



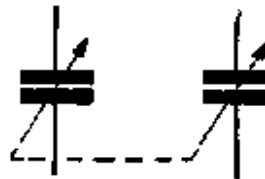
AERIAL



DOUBLE POLE SINGLE THROW SWITCH



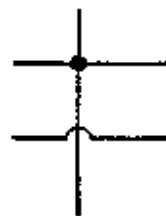
EARTH



"TWO GANG" VARIABLE CAPACITOR



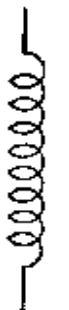
'PHONES



WIRES CONNECTED



WIRES NOT CONNECTED



TUNING COIL.



RESISTOR

SYMBOLS USED IN THE CIRCUITS DESCRIBED.

FIG. 28

THE BOY'S BOOK OF CRYSTAL SETS

The first one is BROWN which represents 1, the first figure of the value, the second BLACK, this indicates the second numeral is nought, and the third colour is RED which tells us that two further ciphers or noughts are added to give the total value. From this you can see, we have 1 plus a nought equalling 10, plus two further noughts which total 1000. Some earlier types of resistor were painted differently, the whole body colour represented the first figure, one tip was coloured to represent the second figure, and a painted dot in the centre gave the number of ciphers to be added.

There are no other special points regarding construction except perhaps that if a long aerial is used, a small 100pF capacitor might be tried in the aerial lead to prevent damping the first tuned circuit.

When setting up the receiver, tune to a station at the high-frequency end of the M.W. band and set the trimmers for loudest volume, no other adjustments are necessary.

CONCLUSION

The twelve receivers described are representative of the best crystal set designs available to-day. Their construction will provide many hours of useful enjoyment, and the results will give lasting pleasure.

A final word about components, if no actual maker is specified, any good class component can be used. Switches, fixed and variable capacitors and crystals, are available from numerous manufacturers all of which are invariably of excellent quality. Where a particular manufacturer's product is called for, the specification should be adhered to. The commercial coils specified are freely available from most supply houses specialising in components for constructors, but in case of difficulty write to Bernards (Publishers) Ltd., The Grampians, Western Gate, London, W.6, who will, on receipt of a S.A.E. be pleased to supply the address of your nearest stockist. Coil formers are not always easy to obtain and in this case advice should be sought from Post Radio Supplies, 395, Queensbridge Road, London, E.8, who will be pleased to help in any way possible.

