

SERVICE MANUAL

DATSUN 200SX
MODEL S10 SERIES

WWW.THE620.COM
THANKS MKLOTZ70



NISSAN MOTOR CO., LTD.
TOKYO, JAPAN

SECTION AT

AUTOMATIC TRANSMISSION

AT

DESCRIPTION	AT- 2
HYDRAULIC CONTROL SYSTEM	AT- 4
REMOVAL AND INSTALLATION	AT-33
MAJOR REPAIR OPERATION	AT-36
TROUBLE DIAGNOSES AND ADJUSTMENT	AT-48
SERVICE DATA AND SPECIFICATIONS	AT-59
SPECIAL SERVICE TOOLS	AT-62

DESCRIPTION

The model 3N71B automatic transmission is a fully automatic unit consisting primarily of 3-element hydraulic torque converter and two planetary gear sets. Two multiple-disc clutches, a multiple-disc brake, a band brake and a one way sprag clutch provide the friction elements required to obtain the desired function of the two planetary gear sets.

The two planetary gear sets give three forward ratios and one reverse. Changing of the gear ratios is fully automatic in relation to vehicle speed and engine torque input. Vehicle speed and engine manifold vacuum signals are constantly fed to the transmission to provide the proper gear ratio for maximum efficiency and performance at all throttle openings.

The model 3N71B has six selector positions: P, R, N, D, 2, 1.

"P" – Park position positively locks the output shaft to the transmission case by means of a locking pawl to prevent the vehicle from rolling in either direction.

This position should be selected whenever the driver leaves the vehicle.

The engine may be started in Park position.

"R" – Reverse range enables the vehicle to be operated in a reverse direction.

"N" – Neutral position enables the engine to be started and run without driving the vehicle.

"D" – Drive range is used for all normal driving conditions.

Drive range has three gear ratios, from the starting ratio to direct drive.

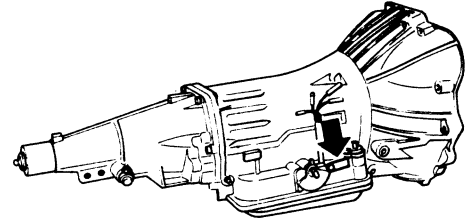
"2" – "2" range provides performance for driving on slippery surfaces. "2" range can also be used for engine braking.

"2" range can be selected at any vehicle speed, and prevents the transmission from shifting out of second gear.

"1" – "1" range can be selected at any vehicle speed and the transmission will shift to second gear and remain in second until vehicle speed is reduced to approximately 40 to 50 km/h (25 to 30 MPH).

"1" range position prevents the transmission from shifting out of low gear. This is particularly beneficial for maintaining maximum engine braking when continuous low gear operation is desirable.

The torque converter assembly is of welded construction and can not be disassembled for service.



AT344

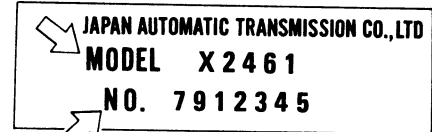
Fig. AT-1 Identification number

Identification of number

Arrangements:

See below.

Model code



Unit number

FLUID RECOMMENDATION

Use automatic transmission fluid having "DEXRON" identifications only in the 3N71B automatic transmission.

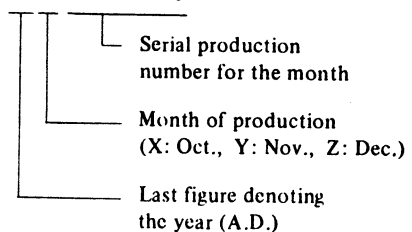
IDENTIFICATION NUMBER

Stamped position:

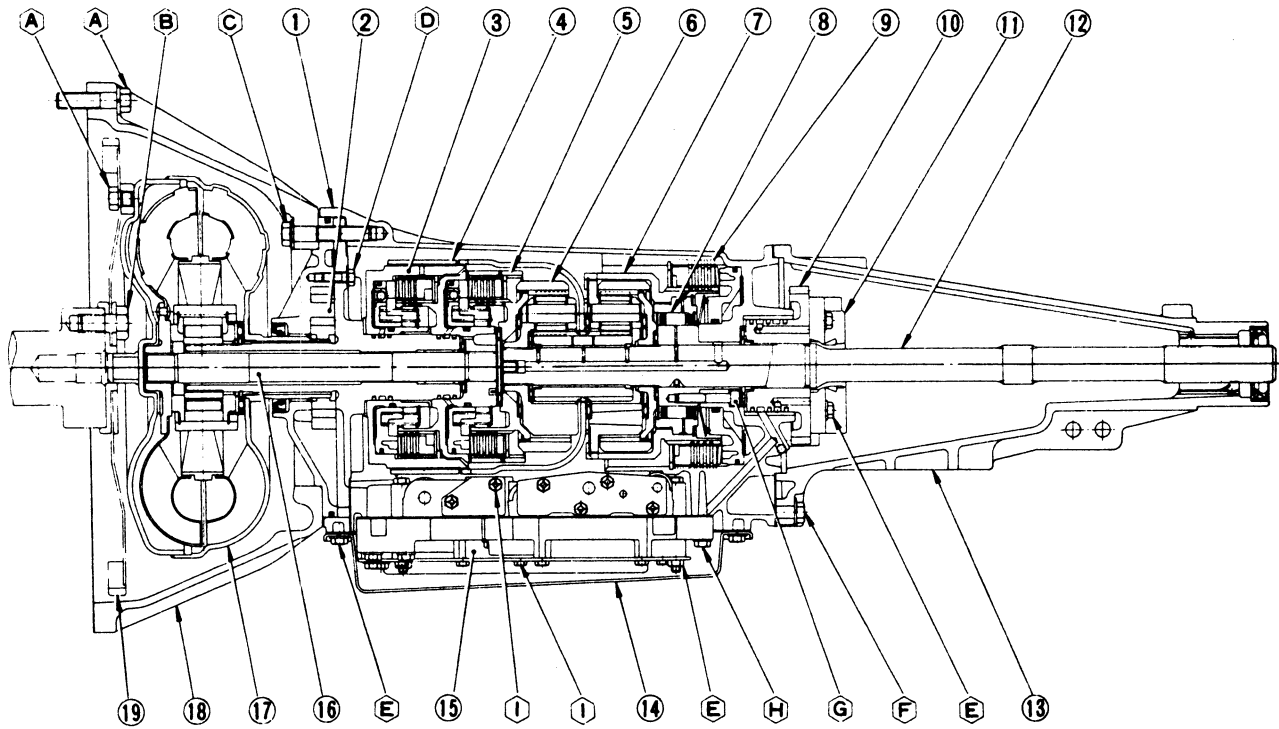
The plate is attached to the right hand side of transmission case as shown in Figure AT-1.

Number designation

7 9 1 2 3 4 5



Automatic Transmission



AT286

- 1 Transmission case
- 2 Oil pump
- 3 Front clutch
- 4 Band brake
- 5 Rear clutch
- 6 Front planetary gear
- 7 Rear planetary gear
- 8 One way clutch
- 9 Low & Reverse brake
- 10 Oil distributor

- 11 Governor
- 12 Output shaft
- 13 Rear extension
- 14 Oil pan
- 15 Control valve
- 16 Input shaft
- 17 Torque converter
- 18 Converter housing
- 19 Drive plate

Tightening torque of bolts
and nuts kg-m (ft-lb)

- Ⓐ 4 to 5 (29 to 36)
- Ⓑ 14 to 16 (101 to 116)
- Ⓒ 4.5 to 5.5 (33 to 40)
- Ⓓ 0.6 to 0.8 (4.3 to 5.8)
- Ⓔ 0.5 to 0.7 (3.6 to 5.1)
- Ⓕ 2.0 to 2.5 (14 to 18)
- Ⓖ 1.3 to 1.8 (9 to 13)
- Ⓗ 0.55 to 0.75 (4.0 to 5.4)
- Ⓘ 0.25 to 0.35 (1.8 to 2.5)

Fig. AT-2 Cross-sectional view of 3N71B automatic transmission

HYDRAULIC CONTROL SYSTEM

CONTENTS

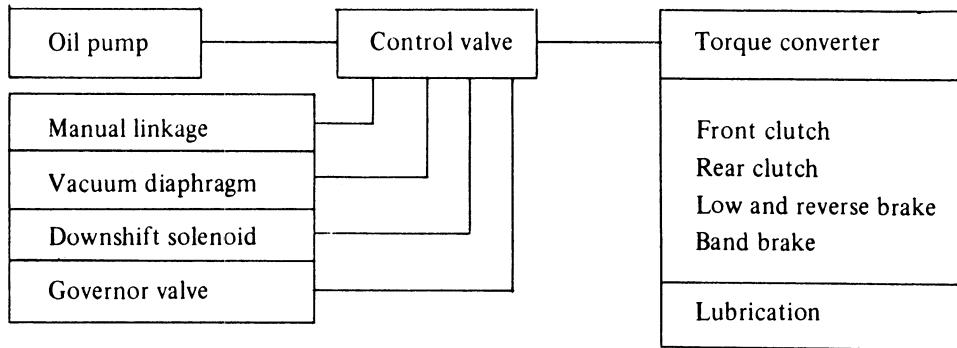
FUNCTIONS OF HYDRAULIC CONTROL		"P" RANGE (PARK)	AT-14
UNIT AND VALVES	AT- 4	"R" RANGE (REVERSE)	AT-16
OIL PUMP	AT- 4	"N" RANGE (NEUTRAL)	AT-18
MANUAL LINKAGE	AT- 4	"D ₁ " RANGE (LOW GEAR)	AT-20
VACUUM DIAPHRAGM	AT- 5	"D ₂ " RANGE (2ND GEAR)	AT-22
DOWNSHIFT SOLENOID	AT- 5	"D ₃ " RANGE (TOP GEAR)	AT-24
GOVERNOR VALVE	AT- 5	"D" RANGE KICK-DOWN	AT-26
CONTROL VALVE ASSEMBLY	AT- 6	"2" RANGE (2ND GEAR)	AT-28
HYDRAULIC SYSTEM AND		"1 ₁ " RANGE (LOW GEAR)	AT-30
MECHANICAL OPERATION	AT-13	"1 ₂ " RANGE (2ND GEAR)	AT-32

FUNCTIONS OF HYDRAULIC CONTROL UNIT AND VALVES

The hydraulic control system con-

tains an oil pump for packing up oil from the oil pan through the oil strainer. A shift control is provided by two centrifugally operated hydraulic governors on the output shaft, vacuum control diaphragm and downshift

solenoid. These parts work in conjunction with valves in the valve body assembly located in the base of the transmission. The valves regulate oil pressure and direct it to appropriate transmission components.



OIL PUMP

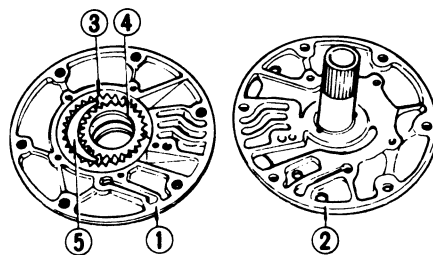
The oil pump is the source of control medium (i.e., oil) for the control system.

The oil pump is of an internal, involute gear type. The drive sleeve is a part of the torque converter pump impeller and serves to drive the pump inner gear with the drive sleeve directly coupled with the engine operation.

The oil flows through the following route:

Oil pan – Oil strainer (bottom of the control valve) – Control valve lower body suction port – Transmission case suction port – Pump housing suction port – Pump gear space – Pump

housing delivery port – Transmission case delivery port – Lower body delivery port – Control valve line pressure circuit.



- AT071
- 1 Housing
 - 2 Cover
 - 3 Outer gear
 - 4 Inner gear
 - 5 Crescent

Fig. AT-3 Oil pump

MANUAL LINKAGE

The hand lever motion (the hand lever is located in the driver's compartment), mechanically transmitted from the remote control linkage, is further transmitted to the inner manual lever in the transmission case from the range selector lever in the right center portion of the transmission case through the manual shaft. The inner manual lever is thereby turned.

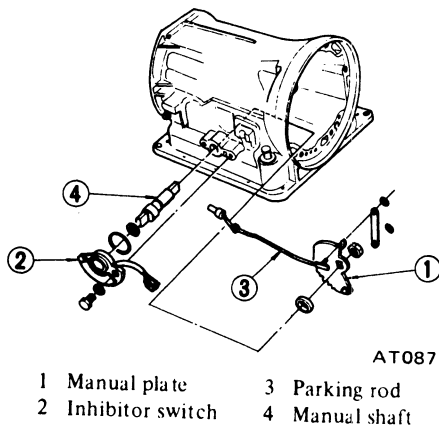
A pin installed on the bottom of the inner manual lever slides the manual valve spool of the control valve thus positioning the spool opposite the appropriate select position.

The parking rod pin is held in the groove on the top of the inner manual

Automatic Transmission

plate. The parking rod pin operates the rod at "P" range, and operates the mechanical lock system.

The above described manual shaft is further equipped with an inhibitor switch. A rotor inside the inhibitor switch rotates in response to each range. When the range is selected at "P" or "N", the rotor closes the starter magnet circuit so that the engine can be started. When the range is selected at "R", the rotor closes the back-up lamp circuit, and the back-up lamp lights.



AT087

Fig. AT-4 Manual linkage

VACUUM DIAPHRAGM

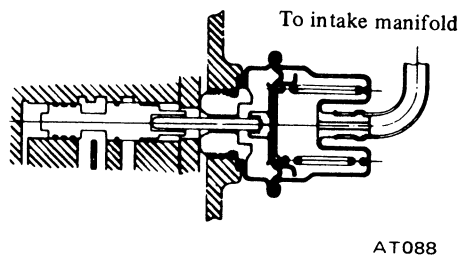
The vacuum diaphragm is installed on the left center portion of the transmission case. The internal construction of the vacuum diaphragm is as follows:

A rubber diaphragm forms a partition in the center. The engine intake manifold negative pressure is led through a vacuum tube and spring force is applied to the front surface of the rubber diaphragm while atmospheric pressure is applied to the back surface. The difference between pressure applied to the front and back surfaces causes a vacuum reaction, which activates the throttle valve of the control valve inside the transmission case.

When accelerator pedal is fully depressed and the carburetor is fully opened but the engine speed is not sufficiently increased, the manifold negative pressure lowers (i.e., tends towards atmospheric pressure) and the

vacuum reaction increases since the flow velocity of mixture inside the intake manifold is slow. Contrarily, when the engine speed increases and the flow velocity of the mixture increases or when the carburetor is closed, the manifold negative pressure increases (i.e., tends towards vacuum) and the vacuum reaction is reduced.

Thus, a signal to generate hydraulic pressure perfectly suited to the engine loading at the control valve is transmitted from the vacuum diaphragm, and the most suitable timing for speed change and line pressure is obtained so that the most proper torque capacity is obtained against the transmitting torque.



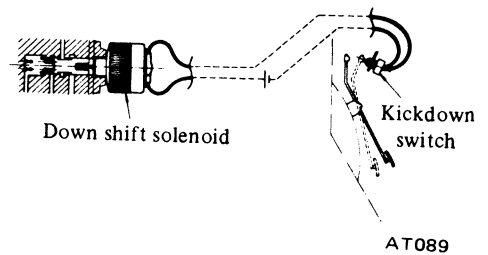
AT088

Fig. AT-5 Vacuum diaphragm

DOWNSHIFT SOLENOID

The downshift solenoid is of a magnetic type installed on the left rear portion of the transmission case. When a driver requires accelerating power and depresses the accelerator pedal down to the stopper, a kickdown switch located in the middle of the accelerator link is depressed by a push rod, the kickdown switch closes current flows to the solenoid, the solenoid push rod is depressed, the downshift valve of the control valve inside the transmission case is depressed, and the speed is changed forcedly from "3rd" to "2nd" within a certain vehicle speed limit.

Note: Since the kickdown switch closes when the accelerator pedal is depressed from 7/8 to 15/16 of the whole stroke, the accelerator pedal should be correctly adjusted so as to afford a complete stroke.



AT089

Fig. AT-6 Downshift solenoid

GOVERNER VALVE

The primary and secondary governor valves are installed separately on the back of the oil distributor on the transmission output shaft. They operate at the same speed as that of the output shaft. (that is, they operate at a speed in proportion to the vehicle speed.) The line pressure is applied to those valves as the input from the control valve, through the transmission case, rear flange and oil distributor. The governor pressure [in proportion to the output shaft speed (vehicle speed)] is led to the shift valve of the control valve through the opposite route of the output. In this manner speed change and line pressure are controlled.

Operation of secondary governor valve

The secondary valve is a control valve which receives line pressure (1) and controls the governor pressure.

When the manual valve is selected at "D", "2" or "1" range, line pressure is applied to the ring shaped area of this valve from circuit (1), and this valve is depressed toward the center. Movement of this valve to a certain position closes the circuit from (1) to (15) while simultaneously making a space from (15) to the center drain port, and pressure in the circuit (15) is lowered.

When the vehicle is stopped and the centrifugal force of this valve is zero, the valve is balanced. At this point, a governor pressure which is balanced with the spring force occurs on (15).

When the vehicle is started and the centrifugal force increases, this valve moves slightly to the outside, and as

the space from (1) to (15) increases, space from (15) to the drain port simultaneously decreases. As a result, governor pressure of (15) increases, and the governor pressure is balanced with the sum of centrifugal force and spring force. The governor pressure thus changes in response to the vehicle speed change (centrifugal force).

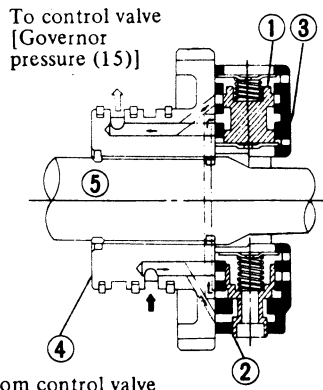
Operation of primary governor valve

The valve is an ON-OFF valve which closes the governor pressure (15) regulated by the secondary governor valve when the vehicle reaches the minimum speed, and when the vehicle speed exceeds a certain level, the governor opens and forwards the governor pressure (15) to the control valve.

When the vehicle is stopped, the governor pressure is zero. However, when the vehicle is running slowly, this valve is depressed to the center and the groove to (15) is closed since the governor pressure applied to the ring shaped area is higher than the centrifugal force of this valve. When the governor speed exceeds a certain revolution, the governor pressure in the circuit (15) also increases. However, as the centrifugal force increases and exceeds the governor pressure, this valve moves toward the outside, and the governor pressure is transmitted to the circuit (15).

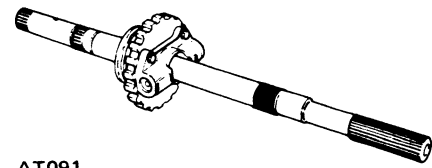
Two different valves are employed in the governor so that it will independently control the speed at high and low speeds. That is, within the low speed range, the governor pressure is not generated because of the primary valve; whereas at the high speed range above the breaking point, governor pressure is regulated by the secondary valve.

* The breaking point is the point at which the function of one of the governor is transferred to the other as the speed changes from the low-speed to the high-speed range.

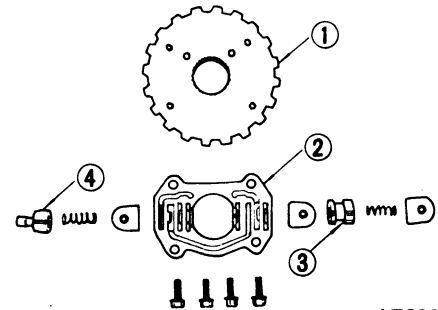


AT090
 1 Primary governor 4 Oil distributor
 2 Secondary governor 5 Output shaft
 3 Governor valve body

Fig. AT-7 Cross-sectional view of governor



AT091
 Fig. AT-8 Output shaft with oil distributor and governor

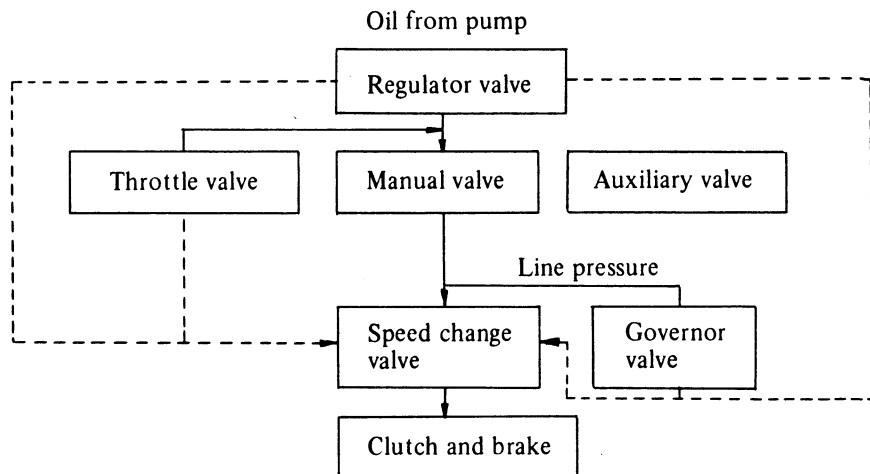


AT092
 1 Oil distributor 3 Primary governor valve
 2 Governor valve body 4 Secondary governor valve

Fig. AT-9 Exploded view of governor

CONTROL VALVE ASSEMBLY

Flow chart of control valve system



The control valve assembly receives oil from the pump and individual signals from the vacuum diaphragm, and transmits the individual line pressures to the transmission friction element, torque converter circuit, and lubricating system circuit as outputs. More specifically, the oil from the oil pump is regulated by the regulator valve as line pressure build up. The line pressure is fed out from the control valve assembly through various direc-

tion changeover valves (including ON-OFF valve) and regulator valves, are newly reformed to a throttle system oil pressure and operate other valves. Finally, the line pressure is transmitted to the required clutch or brake servo piston unit in response to the individual running conditions after receiving signals from the vacuum diaphragm, downshift solenoid, governor valve, and/or manual linkage.

The control valve assembly consists of the following valves (See Figure AT-20):

1. Pressure regulator valve (PRV)
2. Manual valve (MNV)
3. 1st-2nd shift valve (FSV)
4. 2nd-3rd shift valve (SSV)
5. Pressure modifier valve (PMV)
6. Vacuum throttle valve (VTV)
7. Throttle back-up valve (TBV)
8. Solenoid downshift valve (SDV)
9. Second lock valve (SLV)
10. 2nd-3rd timing valve (TMV)

Pressure regulator valve (PRV)

The pressure regulator valve receives valve spring force, force from the plug created by the throttle pressure (16) and line pressure (7), and force of the throttle pressure (18). With the interaction of those forces, the PRV regulates the line pressure (7) to that most suitable for individual driving conditions.

The oil from the oil pump is applied to the ring-shaped area through orifice (20). As a result, the PRV is depressed downward, and moves from port (7) up to such extent that the space to the next drain port (marked with "X" in Figure AT-10) opens slightly. Thus, the line pressure (7) is balanced with the spring force, thereby balancing the PRV. In this operation, the space from port (7) to the subsequent converter oil pressure (14) circuit has also been opened. As a result, the converter is filled with pressurized oil in circuit (14), and this oil is further used for lubrication of the rear unit. Moreover, part of the oil is branched and used for lubrication of the front unit for the front and rear clutches.

When the accelerator pedal is depressed, the throttle pressure (16) increases as described in the preceding paragraph, oil pressure is applied to the plug through orifice (21), and this pressure is added to the spring force. As a result, the PRV is contrarily forced upward, space to the drain port is reduced, and the line pressure (7) increases.

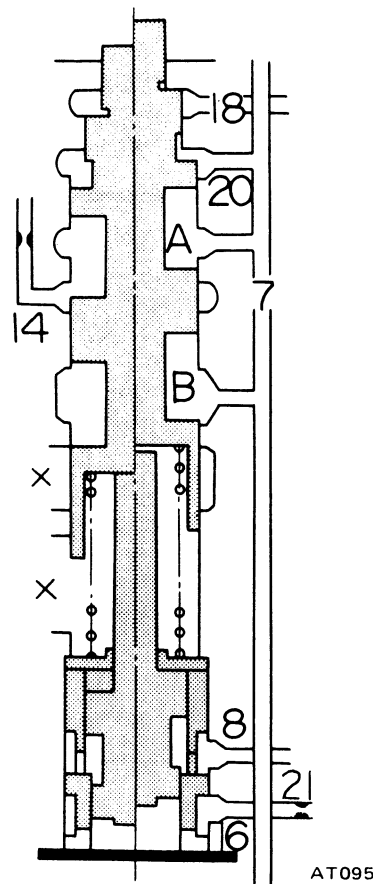


Fig. AT-10 Pressure regulator valve

When the range is selected at "R" (Reverse), the line pressure (6) is applied to the plug in a manner identical to the throttle pressure (16) and is added to the spring force. Consequently, the line pressure (7) further increases.

When vehicle speed increases and the governor pressure rises, the throttle pressure (18) is applied to the port on the top of the PRV, and pressure is applied contrarily against the spring force. As a result, the line pressure (7) decreases. Moreover, at individual conditions, the line pressure (7) is equal to

the line pressure (6) and the throttle pressure (16) is equal to (18).

Manual valve (MNV)

The manual lever turning motion is converted to reciprocating motion of the manual valve through a pin, and the MNV is positioned so that the line pressure (7) is distributed to the individual line pressure circuits at each "P", "R", "N", "D", "2" or "1" range as shown below.

"P" range:

- (7) - { (4) - SDV and TBV
(5) - FSV (12) - TBV and Low & reverse brake

"R" range:

- (7) - { (4) - same as above
(5) - same as above
(6) - PRV and SSV - (F.C.) and band release

"N" range: (7) - None

"D" range:

- (7) - { (1) - Governor valve, FSV, and rear clutch
(2) - SLV
(3) - SLV and SSV

"2" range:

- (7) - { (1) - Same as above
(2) - SLV - (9) Band applied
(4) - SDV and TBV

"1" range:

- (7) - { (1) - Same as above
(4) - Same as above
(5) - FSV

Moreover, (1), (2), (3), (4), (5), and (6) are always drained at a position where the line pressure is not distributed from (7).

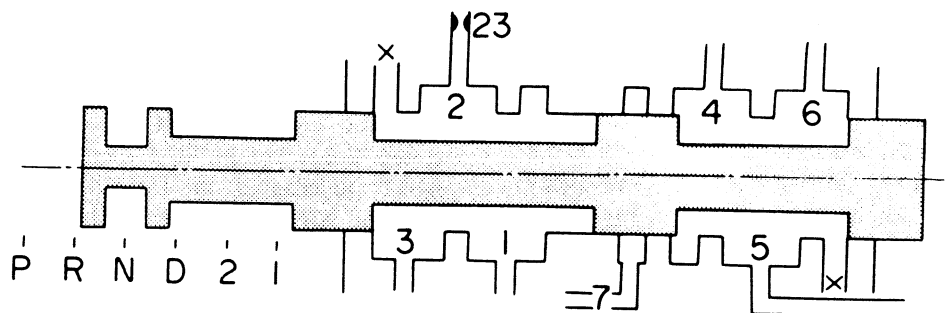


Fig. AT-11 Manual valve

1st-2nd shift valve (FSV)

The FSV is a transfer valve which shifts gears from low to second. When the vehicle is stopped, the FSV is depressed to the right side by force of a spring located on the left side, putting the FSV in the "Low" position.

When vehicle speed increases, the governor pressure (15) is applied to the right side of the FSV, and the FSV is forced toward the left. Contrarily, the line pressure (1) together with the spring force forces the FSV toward the right opposing the governor pressure (15).

When the vehicle speed exceeds a certain level, the governor pressure (15) exceeds the sum of the throttle pressure and the spring force, and the FSV is forced toward the left.

When the FSV is depressed to a certain position, the line pressure (1) is closed, and only the spring depresses the FSV toward the right, and it is depressed to the end for a moment. As a result, the line pressure (1) is forwarded to (8), the band servo is engaged through the SLV, and the speed is shifted to "2nd". With the accelerator pedal depressed, the FSV remains in the "Low" position unless the governor pressure (15) increases to a high level corresponding to the line pressure (1), since the line pressure (1) increases when the accelerator pedal is depressed.

Contrarily, when vehicle speed decreases, the governor pressure (15) decreases. However, the gear is not shifted to "Low" unless the governor pressure (15) becomes zero, since the force depressing the FSV toward the right is being delivered only by the spring.

"Low" in range "1" is led to the low and reverse clutch from line pressure (5) through line pressure (12), and is simultaneously led to the left end spring unit. Consequently, although the governor pressure increases, the valve is still forced toward the right, and the SFV is fixed in the "Low" position. When kicked down to the "2nd" speed, the SDV operates, and the line pressure (13) forces the FSV toward the right. Although the

governor pressure (15) is considerably high, the valve is forced completely toward the right, and the FSV is returned to the "Low" position. (This operation is called "Kickdown shift".)

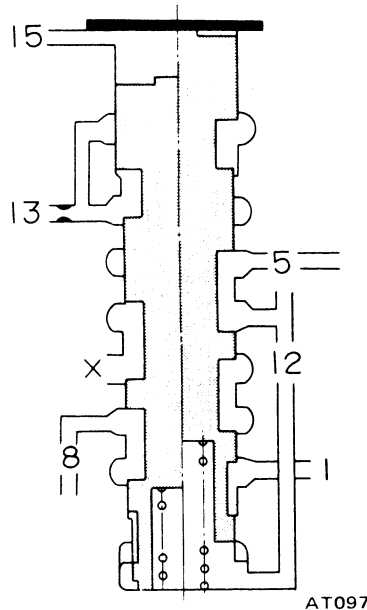


Fig. AT-12 "1st-2nd" shift valve

2nd-3rd shift valve (SSV)

The SSV is a transfer valve which shifts gears from "2nd" to "3rd". When the vehicle is stopped, the SSV is forced toward the right by the spring, and is in the "2nd" position. It is so designed, however, that the FSV can decide to shift either to "Low" or "2nd".

When the vehicle is running, the governor pressure (15) is applied to the right end surface, and the SSV is forced toward the left. Contrarily, the spring force, line pressure (3), and throttle pressure (19) force the SSV toward right.

When vehicle speed exceeds a certain level, the governor pressure surpasses the sum of the spring force, line pressure, and throttle pressure, and the valve is forced toward the left. The line pressure (3) is then closed. Consequently, the forces being rapidly unbalanced, the force depressing the SSV toward the right decreases, and thus the SSV is depressed to the left end for a moment. With the SSV depressed toward the left end, the line pressure (3) is connected with the line pressure (10), the band servo is released, the front clutch is engaged,

and speed is shifted to "3rd".

When the accelerator pedal is depressed, both the line pressure (3) and the throttle pressure (19) are high, and the SSV is thus retained in "2nd" unless the governor pressure (15) exceeds the line pressure (3) and the throttle pressure (19).

In the "3rd" position, force depressing the SSV toward the right is retained only by the throttle pressure (16), and the throttle pressure (16) is slightly lower than that toward the right which is applied while shifting from "2nd" to "3rd".

Consequently, the SSV is returned to the "2nd" position at a slightly lower speed. (Shifting from "3rd" to "2nd" occurs at a speed slightly lower than that for "2nd" to "3rd" shifting.)

When kicked down at "3rd", line pressure (13) is led from the SDV, and the SSV is forced toward the right. Although the governor pressure is considerably high, the valve is forced completely toward the right, and the SSV is thus returned to "2nd" position. (This operation is called "Kickdown shift".)

When the shift lever is shifted to "2" or "1" range at the "3rd" speed, the line pressure (3) is drained at the MNV. Consequently, the front clutch and band servo releasing oils are drained. As a result, the transmission is shifted to "2nd" or "Low" speed although the SSV is in the "3rd" position.

When the speed is shifted to the "3rd", a one-way orifice (24) on the top of the SSV relieves oil transmitting velocity from the line pressure (3) to the line pressure (10), and reduces the shock generated from the shifting. Contrarily, when the lever is shifted to "2" or "1" range and the speed is shifted from "3rd" to the "2nd", the orifice checking valve spring (24) is depressed, the throttle becomes ineffective, the line pressure (10) is drained quickly, and delay in shifting speeds is thus eliminated.

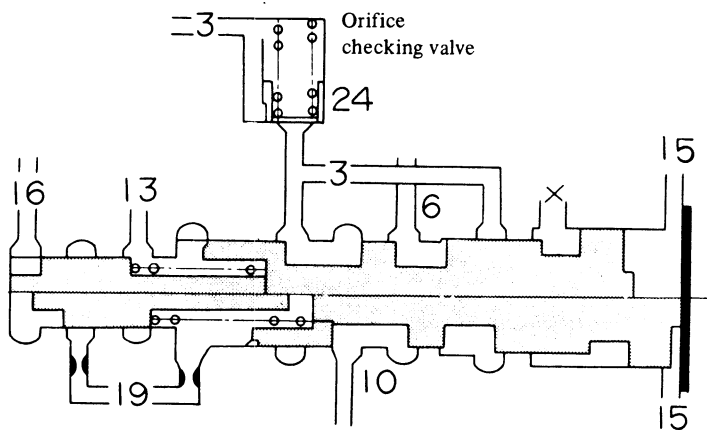
The throttle of line pressure (6) transmits the oil transmitting velocity from line pressure (6) to line pressure (10) when the lever is shifted to the "R" range, and transmits drain velocity from line pressure (10) to line

Automatic Transmission

pressure (6) when shifting from "3rd" to "2nd" at "D" range. Thus, the throttle of line pressure (6) reduces the shock generated from shifting.

A plug in the SSV left end readjusts the throttle pressure (16) which varies depending on the engine throttle condition, to a throttle pressure (19) suited to the speed change control. Moreover, the plug is a valve which applies line pressure (13), in lieu of the throttle pressure, to the SSV and the FSV when kickdown is performed.

When the throttle pressure (16) is applied to the left side of this plug, and the plug is depressed toward the right, a slight space is formed from the throttle pressure (16) to (19). A throttle pressure (19) which is lower by the pressure loss equivalent to this space is



AT098

Fig. AT-13 "2nd-3rd" shift valve

Pressure modifier valve (PMV)

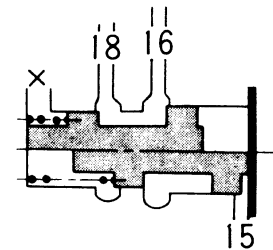
Compared to the operating pressure required in starting the vehicle, the power transmitting capacity of the clutch (that is, required operating pressure) may be lower when the vehicle is once started. When the line pressure is retained at a high level up to a high vehicle speed, shock generated from the shifting increases, and the oil pump loss also increases. In order to prevent this, the throttle pressure must be changed over with the operation of the governor pressure (15) to reduce the line pressure. The PMV is used for this purpose.

generated, the pressure loss is added to the spring force, and the plug is thus forced back from the right to the left. When this pressure (19) increases excessively, the plug is further depressed toward the left, space from the throttle pressure (19) to the drain circuit (13) increases, and the throttle pressure (19) decreases. Thus, the plug is balanced, and the throttle pressure (19) is reduced to a certain value against the throttle pressure (16).

When performing kickdown, the SDV moves, a high line pressure is led to the circuit (19) from the line pressure circuit (13) (which had been drained), the plug is forced toward the left, and circuit (19) becomes equal to the line pressure (13).

from circuit (16) to circuit (18). This throttle pressure (18) is applied to the top of the PRV, and the force of the line pressure source (7) is reduced. Contrarily, when the vehicle speed decreases and the governor pressure (15) decreases, the force toward the right exceeds the governor pressure, the valve is forced back toward the right, and the throttle pressure (18) is drained to the spring unit.

This valve is switched when the throttle pressure and the governor pressure are high or when they are both low.



AT099

Fig. AT-14 Pressure modifier valve

Vacuum throttle valve (VTV)

The vacuum throttle valve is a regulator valve which uses the line pressure (7) for the pressure source and regulates the throttle pressure (16) which is proportioned to the force of the vacuum diaphragm. [The vacuum diaphragm varies depending on the engine throttle condition (negative pressure in the intake line)].

When the line pressure (7) is applied to the bottom through the valve hole and the valve is forced upward, space from the line pressure (7) to the throttle pressure (16) is closed, and the space from the throttle pressure (16) to the drain circuit (17) is about to open. In this operation, the throttle pressure (16) becomes lower than the line pressure (7) by the pressure equivalent of the loss of space, and the force depressing the rod of the vacuum diaphragm is balanced with the throttle pressure (16) applied upward to the bottom.

When the engine torque is high, the negative pressure in the intake line rises (tending toward atmospheric pressure), and the force of the rod to depress the valve increases. As a result, the valve is depressed downward, the

space from the throttle pressure (16) to the drain (17) decreases, and the space from the line pressure (7) to the throttle pressure (16) increases.

Consequently, the throttle pressure (16) increases, and the valve is balanced. Contrarily, when the engine torque lowers and the negative pressure in the intake line lowers (tending toward vacuum), the force of the rod depressing the valve decreases, and the throttle pressure (16) also decreases. When pressure regulated by the throttle back-up valve (described in the subsequent paragraph) is led to circuit (17), a high pressure is applied through the space from the circuit (17) to the throttle pressure (16). Consequently, the VTV is unbalanced, the throttle pressure (16) becomes equal to the back-up pressure (17), and the valve is locked upward.

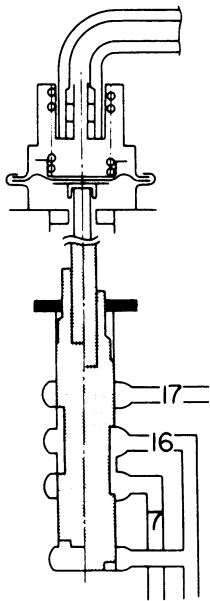


Fig. AT-15 Vacuum throttle valve

Throttle back-up valve (TBV)

Usually, this valve is depressed downward by the spring force, and circuit (17) is drained upward.

As soon as the lever is shifted either to "2" or "1" range, line pressure is led from circuit (4), the line pressure is applied to the area difference of the valve, the valve is forced upward, the space from circuit (4) to circuit (17) is closed, and with the space from circuit

(17) to the upper drain about to open, the back-up pressure (17) which is lower than the line pressure (4) by the pressure loss due to the space from circuit (4) to circuit (17) is balanced with the spring force.

Further, when gear is shifted from "2nd" to "Low" at the range "1", line pressure is led from circuit (12), and the line pressure is applied upward to the bottom of the valve through the valve hole. Consequently, the valve is forced upward, and locked. As a result, the space from the line pressure (4) to the back-up pressure (17) is closed completely, and the back-up pressure (17) is drained upward.

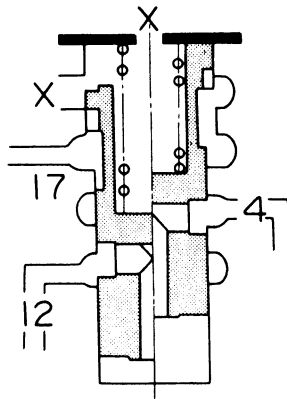


Fig. AT-16 Throttle back-up valve

Solenoid downshift valve (SDV)

This valve is a transfer valve which leads the line pressure (7) to (13) and transmits the same to the FSV and SSV when a kickdown signal is received from the downshift solenoid. Usually, the solenoid push rod and valve are locked upward by the spring in the lower end, and the circuit from line pressure (4) to line pressure (13) is opened.

When kickdown is performed, the push rod operates, the valve is depressed downward, and the circuit from line pressure (7) to line pressure (13) opens. Line pressure (13) opposes the governor pressure (15) at the SSV and FSV, thus accomplishing the downshift operation.

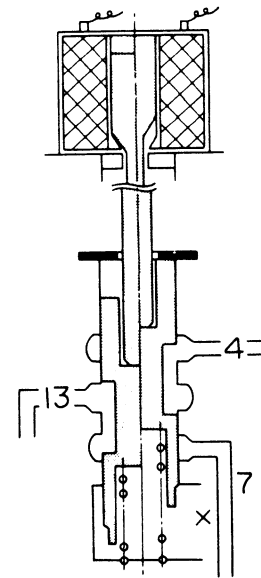


Fig. AT-17 Solenoid downshift valve

Second lock valve (SLV)

This valve is a transfer valve which assists the shift valve in determining the fixed "2nd" speed at the "2" range.

In the "D" range, the sum of the spring force and line pressure (3) applied upward exceeds the line pressure (2) which is applied to the valve area difference as a downward force. As a result, the valve is locked upward, and the circuit from line pressure (8) to line pressure (9) is opened.

Consequently, the FSV becomes the "2nd" speed condition, and line pressure is led to the band servo engaging circuit (9) only when line pressure (1) is released to line pressure (8).

In the "2" range, the upward force is retained only on the spring, and the downward line pressure (2) exceeds the upward force.

As a result, the valve is locked downward, line pressure (2) is released to (9) regardless of the operating condition of the FSV, and the band servo is engaged.

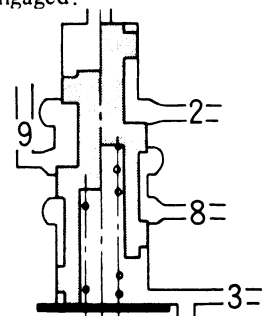


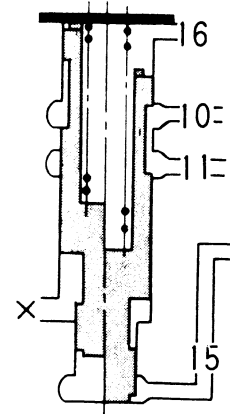
Fig. AT-18 Second lock valve

2nd-3rd timing valve (TMV)

This valve is a transfer valve which switches the by-pass circuit of the orifice (22) in the front clutch pressure circuit (11) in response to the vehicle speed and the throttle condition. A force created when the governor pressure (15) applies to the bottom of the TMV is used for the upward force, and a force created when the spring force and the throttle pressure apply to the top of the TMV is used for the downward force.

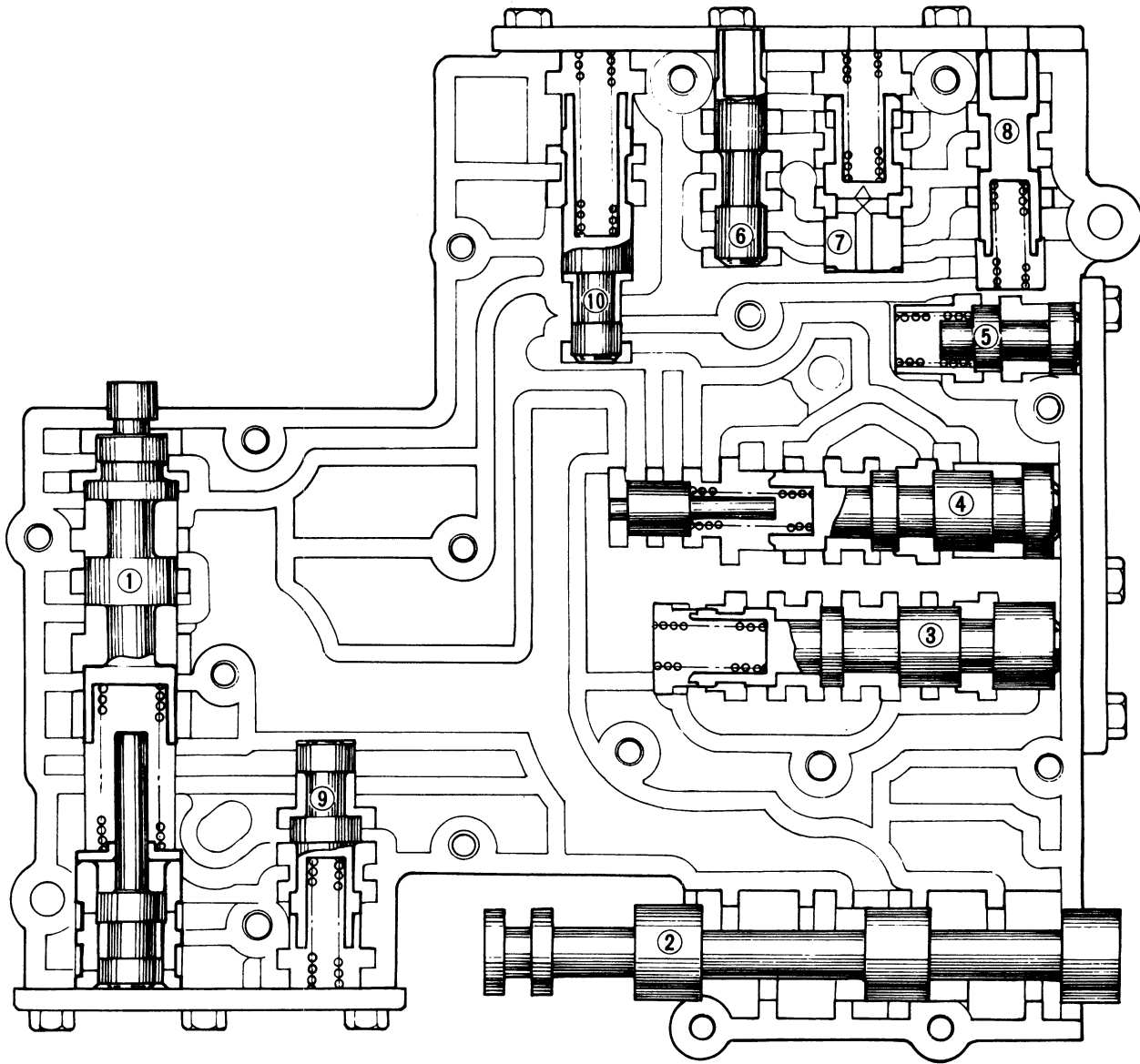
When the throttle pressure (16) is lower than the governor pressure (15),

the upward force exceeds the downward force, the valve is locked upward, and passage from the circuit (10) ("2nd" from the "Top") to the circuit (11) is closed. Consequently, the line pressure (10) is led to the front clutch circuit (11) through the orifice (22), and thus, the oil pressure is transmitted slowly. However, under the normal shifting, the throttle pressure (16) has a pressure exceeding a certain level, and the downward force exceeds the upward force. As the result, the valve is locked downward, the passage from the circuit (10) to the circuit (11) is opened, and the orifice (22) is disregarded.



AT104

Fig. AT-19 "2nd-3rd" timing valve



AT094

- | | |
|-----------------------------------|-----------------------------------|
| 1 Pressure regulating valve (PRV) | 6 Vacuum throttle valve (VTV) |
| 2 Manual valve (MNV) | 7 Throttle back-up valve (TBV) |
| 3 1st-2nd shift valve (FSV) | 8 Solenoid down shift valve (SDV) |
| 4 2nd-3rd shift valve (SSV) | 9 Second lock valve (SLV) |
| 5 Pressure modifier valve (PMV) | 10 2 - 3 timing valve (TMV) |

Fig. AT-20 Control valve

HYDRAULIC SYSTEM AND MECHANICAL OPERATION

The operating system of oil pressure in each range is described below:

The oil pressure in each circuit shown in the illustration is classified as follows according to the function:

(The numerals show the circuit numbers.)

Pressure source of the line: 7

Operating line pressure for friction elements:

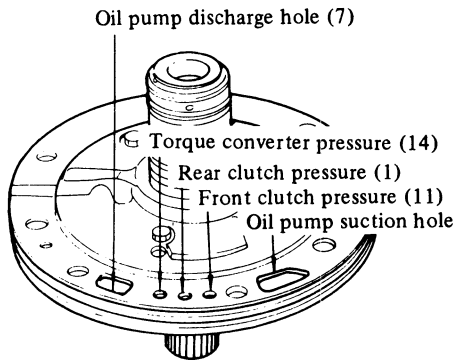
1, 2, 3, 4, 5, 6, 7, 8, 9, 10, 11, 12.

Auxiliary line pressure: 13

Throttle system pressure:

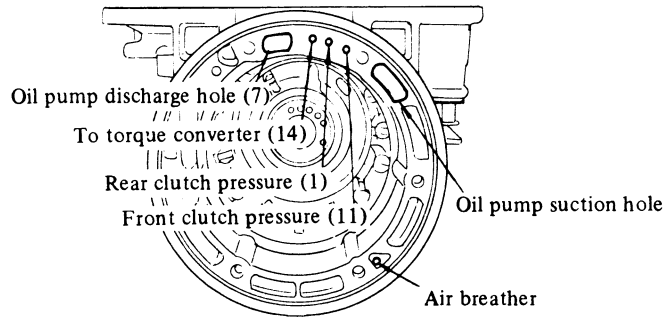
16, 17, 18, 19.

Others: 14, 15



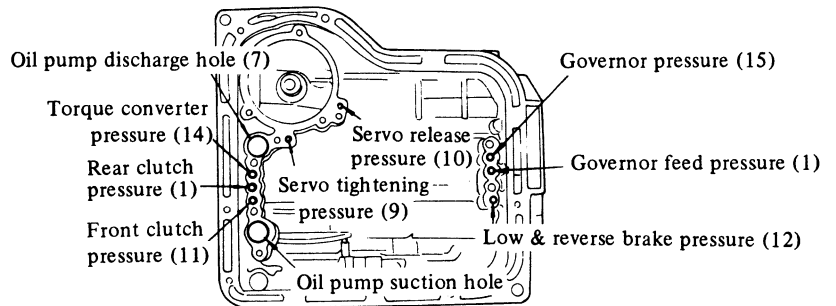
AT105

Fig. AT-21 Identification of oil channels in oil pump



AT106

Fig. AT-22 Identification of oil channels in case front face



AT107

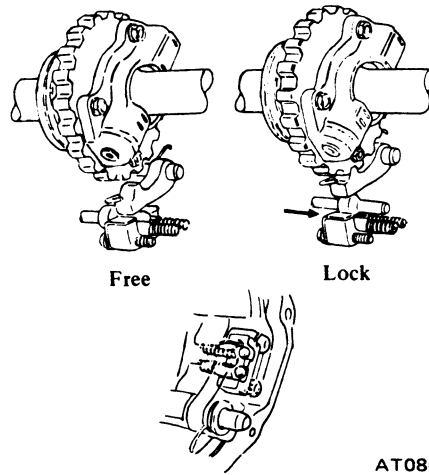
Fig. AT-23 Identification of oil channels in case face

Automatic Transmission

“P” RANGE (PARK)

The operation of clutches and band are functionally the same as in “Neutral”.

In parking, however, when the parking pawl meshes in a gear which is splined to the output shaft, the output shaft is mechanically locked from rotating.



AT086

Fig. AT-24 Parking mechanism

The oil discharged from the oil pump is fed to each part in a similar manner to that of the “N” range. The oil having the line pressure (7) which has been introduced into the manual valve ② reaches the “1st-2nd” shift valve ③ through the line pressure circuit (5). As the “1st-2nd” shift valve is forced to the right-hand side by the spring, the line pressure (5) and (12) actuates the low and reverse brake through the groove. Also, the parking pawl engages with the outer teeth of the oil distributor by means of the manual lever, mechanically locking the output shaft.

Range		Gear ratio	Clutch		Low & reverse brake	band servo		One way clutch	Parking pawl
			Front	Rear		Operation	Release		
Park					on				on
Reverse		2.182	on		on		on		
Neutral									
Drive	D1 Low	2.458		on				on	
	D2 Second	1.458		on		on			
	D3 Top	1.000	on	on		(on)	on		
2		Second		on		on			
1	1 ₂ Second	1.458		on		on			
	1 ₁ Low	2.458		on	on				

Automatic Transmission

"P" range (Park)

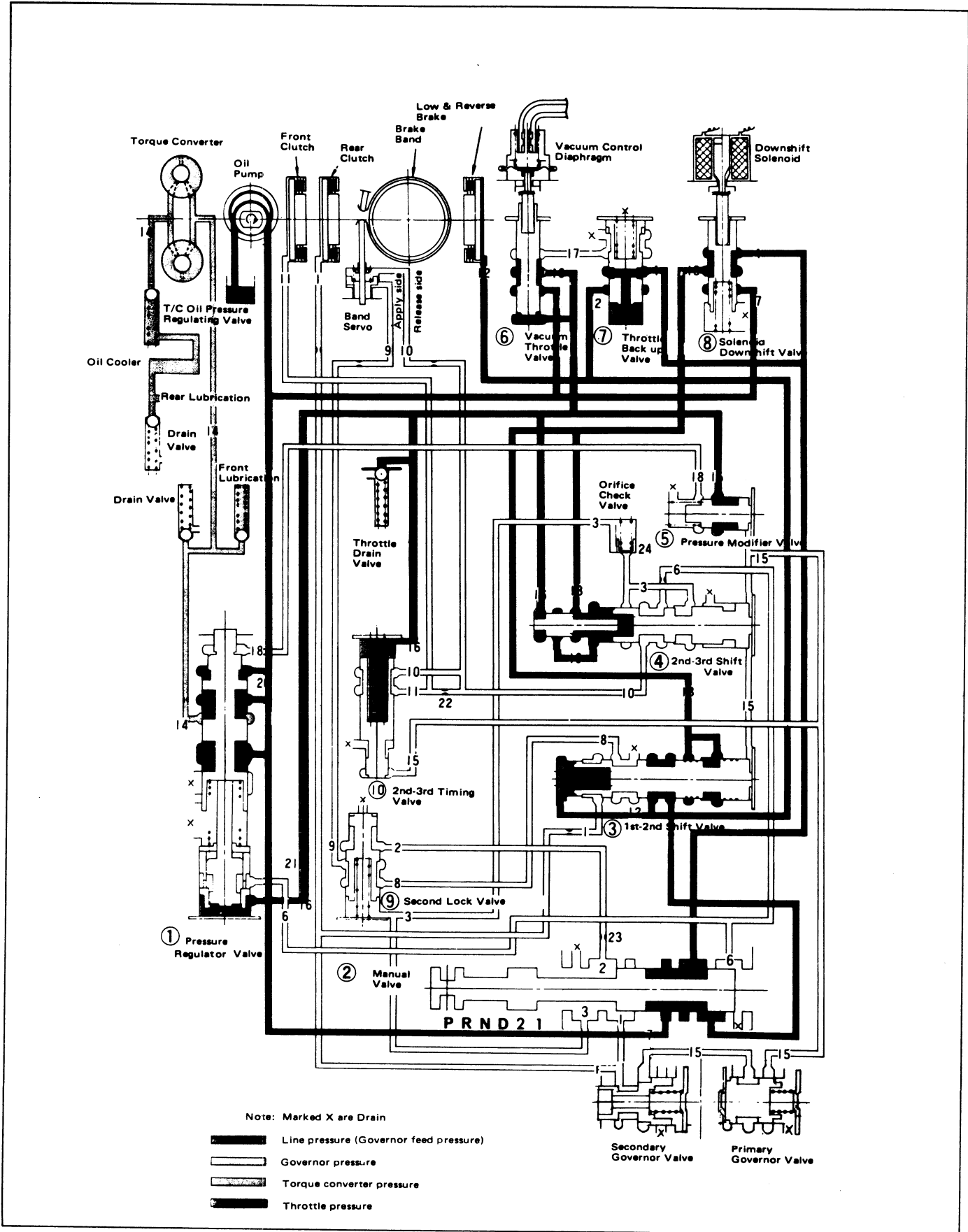
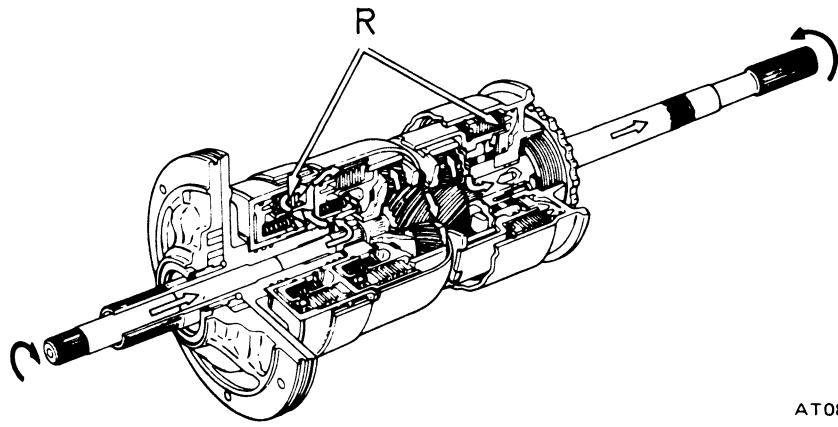


Fig. AT-25 Oil pressure circuit diagram — "P" range (Park)

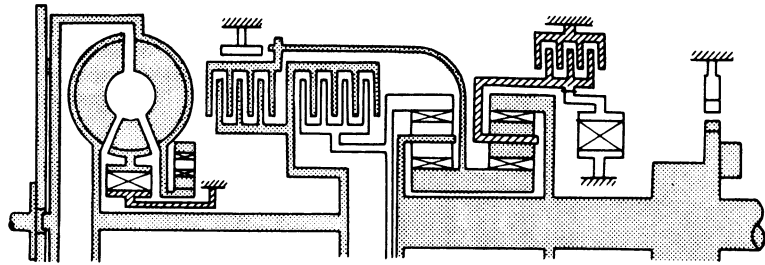
“R” RANGE (REVERSE)

In “R” range, the front clutch and the low and reverse brake are applied. The power flow is through the input shaft, front clutch, and connecting shell to the sun gear. Clockwise rotation of the sun gear causes counterclockwise rotation of the rear planetary gears. With the connecting drum held stationary by the low and reverse brake, the rear planetary gears rotate the rear internal gear and drive the flange counterclockwise. The rear drive flange splined to the output shaft rotates the output shaft counterclockwise at a reduced speed with an increase in torque for reverse gear.



AT084

Fig. AT-26 Power transmission during “R” range



AT085

Fig. AT-27 Operation of each mechanism during “R” range

When the manual valve ② is positioned at “R” range, the oil having the line pressure (7) is directed to line pressure circuits (5) and (6). The pressure in the circuit (5) actuates the low and reverse brake after being introduced into line pressure circuit (12) through the “1st-2nd” shift valve ③. The pressure in the circuit operates the release side of the band servo and the front clutch after being led to line pressure circuit (10) through the “2nd-3rd” shift valve ④. The throttle pressure (16) and the line pressure (6) which vary with the degree of accelerator pedal depression both act on the pressure regulator valve ① and press against its valve ①, increasing line pressure (7). In “R” range, the governor pressure is absent, making all such valves as the “1st-2nd” shift valve ③, “2nd-3rd” shift valve ④, and pressure modifier valve ⑥ inoperative.

Range	Gear ratio	Clutch		Low & reverse brake	Band servo		One way clutch	Parking pawl
		Front	Rear		Operation	Release		
Park				on				on
Reverse	2.182	on		on		on		
Neutral								
Drive	D1 Low		on				on	
	D2 Second		on		on			
	D3 Top		on	on	(on)	on		
2	Second		on		on			
1	1 ₂ Second		on		on			
	1 ₁ Low		on	on				

Automatic Transmission

"R" range (Reverse)

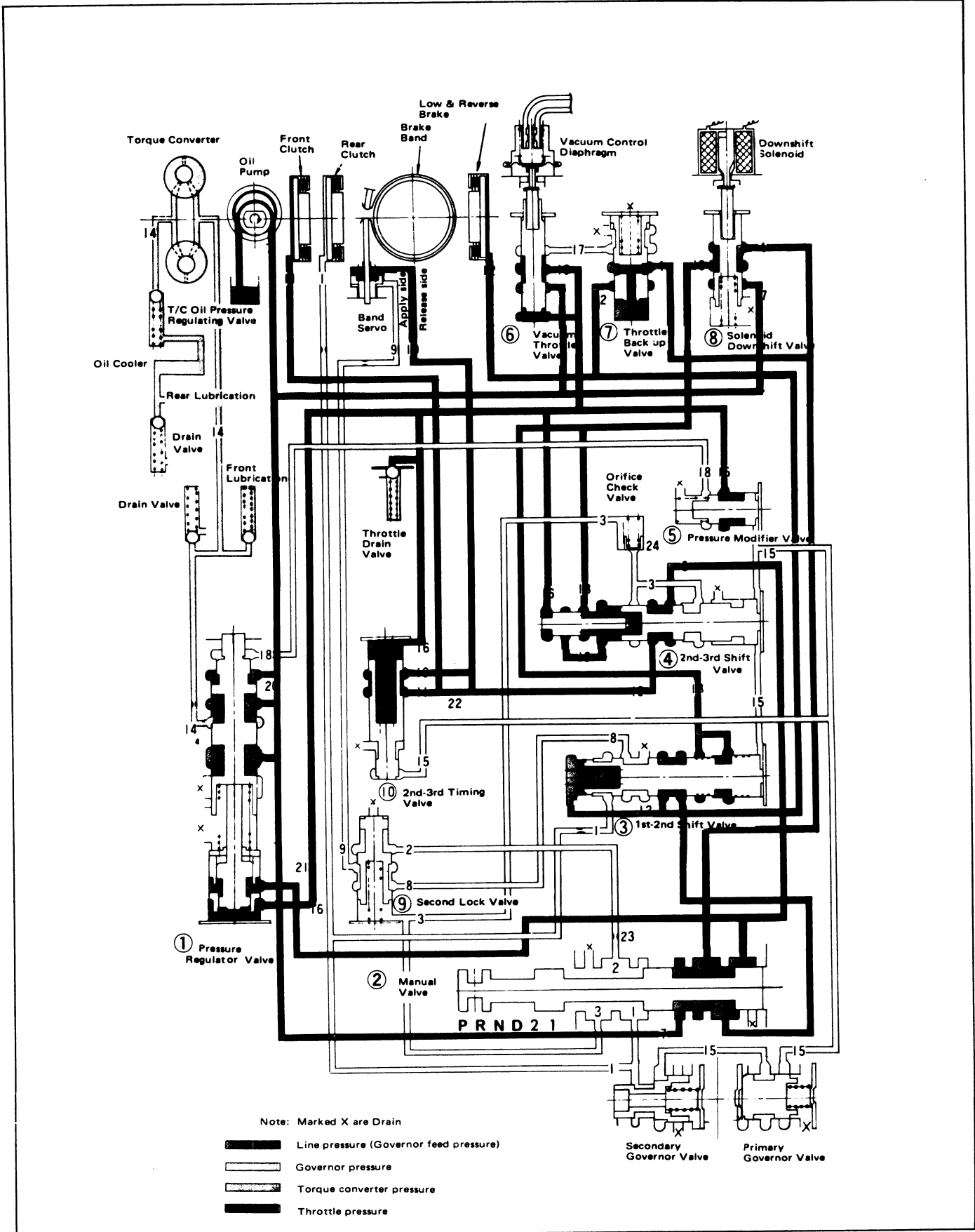


Fig. AT-28 Oil pressure circuit diagram — "R" range (Reverse)

Automatic Transmission

“N” RANGE (NEUTRAL)

In “N” range none of the clutches and band are applied, thus no power is transmitted to the output shaft.

The pressure of oil discharged from the oil pump is regulated by the pressure regulator valve ① to maintain the line pressure (7), and the oil is led to the manual valve ②, vacuum throttle valve ⑥, and solenoid down shift valve ⑧. The oil is further introduced into the torque converter at its operating pressure (14), and a portion of this oil is distributed to each part as the front lubricant. The oil which has been discharged from the torque converter is also distributed to each part as the rear lubricant.

As the oil pump rotates at the same speed as the engine, the oil pump discharge increases with engine speed. But the surplus oil is returned to the oil pan by the pressure regulator valve ①.

Range	Gear ratio	Clutch		Low & reverse brake	Band servo		One way clutch	Parking pawl
		Front	Rear		Operation	Release		
Park				on				on
Reverse	2.182	on		on		on		
Neutral								
Drive	D1 Low	2.458		on				on
	D2 Second	1.458		on		on		
	D3 Top	1.000	on	on		(on)	on	
2	Second	1.458		on		on		
1	1 ₂ Second	1.458		on		on		
	1 ₁ Low	2.458		on	on			

Automatic Transmission

"N" range (Neutral)

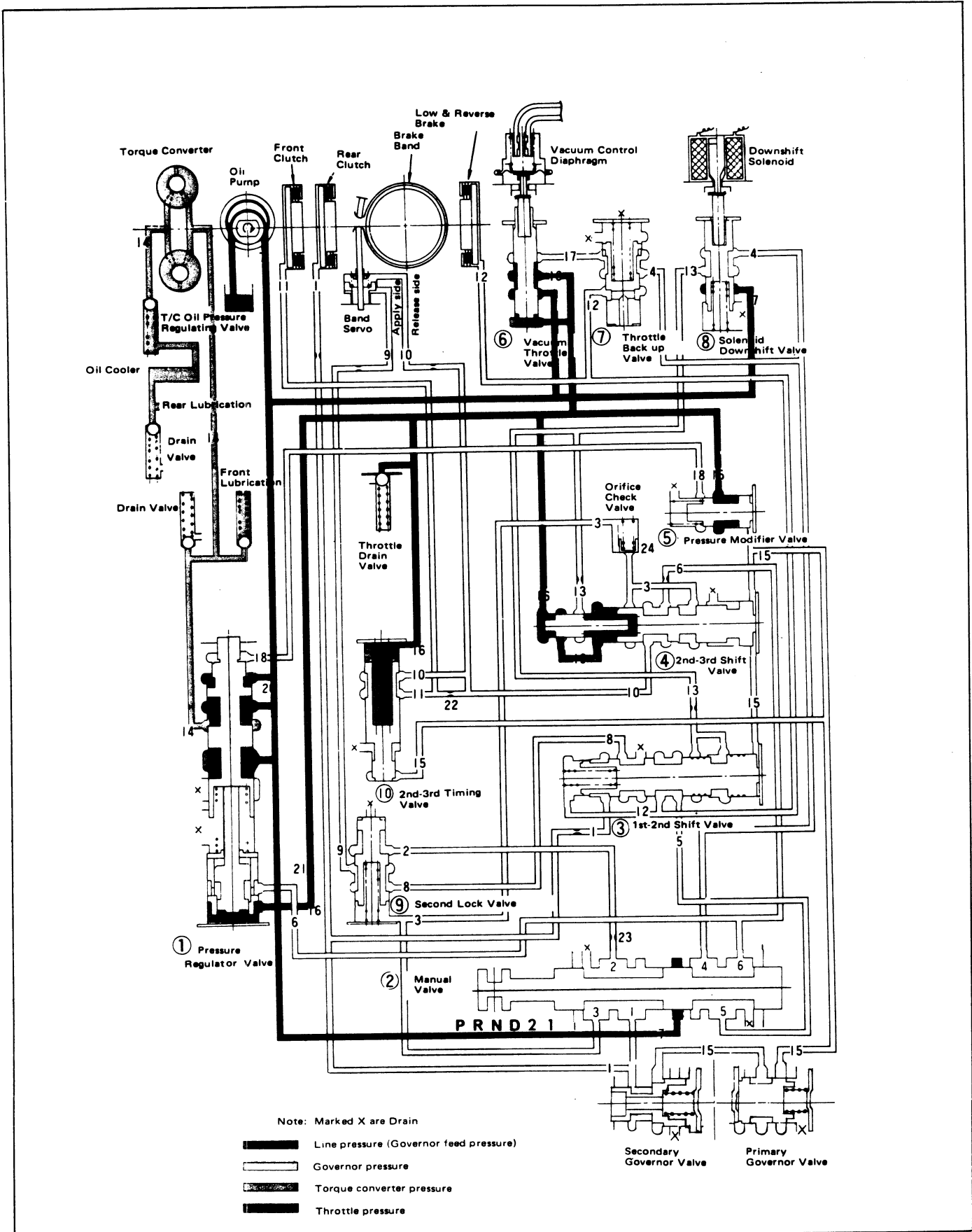


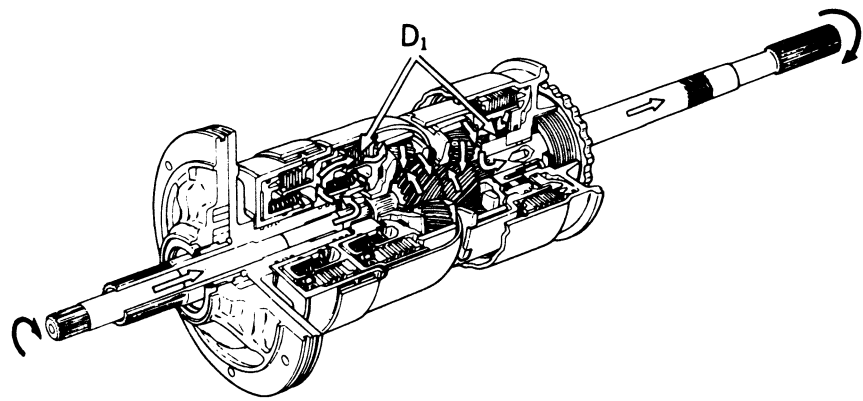
Fig. AT-29 Oil pressure circuit diagram — "N" range (Neutral)

"D₁" RANGE (LOW GEAR)

The low gear in "D" range is somewhat different from that in "1₁" range.

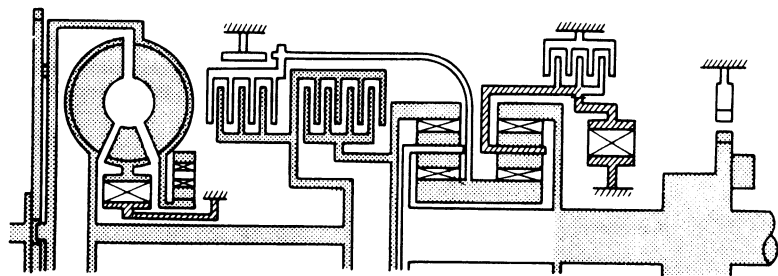
The rear clutch is applied as in "1₁" range, but the one-way clutch holds the connecting drum. The power flow is the same as in "1₁" range. That is, the power flow takes place through the input shaft and into the rear clutch. The input shaft is splined to the rear clutch drum and drives it. Rotation of the rear clutch drives the rear clutch hub and front internal gear.

The front internal gear rotates the front planetary gears clockwise to cause the sun gear to rotate counterclockwise. Counterclockwise rotation of the sun gear turns the rear planetary gears clockwise. With the rear planetary carrier held stationary by the one-way clutch, the clockwise rotation of the rear planetary gears rotates the rear internal gear and drives the flange clockwise. The internal drive flange is splined to the output shaft and rotates the output shaft clockwise.



AT080

Fig. AT-30 Power transmission during "D₁" range



AT081

Fig. AT-31 Operation of each mechanism during "D₁" range

When the manual valve is positioned at "D", the line pressure (7) introduced into the manual valve is led to the line pressure circuits (1), (2) and (3). The pressure in the circuit (1) actuates the rear clutch and the governor, and at the same time, operates the "1st-2nd" shift valve (3) to change the speed. The circuit (2) leads to the second lock valve (9). The circuit (3) actuates the "2nd-3rd" shift valve (4) for the "2nd-3rd" speed change, and at the same time, locks the second lock valve (9).

The throttle pressure (16) which changes with the degree of accelerator pedal depression, presses the pressure regulator valve (1) and increases the line pressure (7). When the speed of the vehicle has increased, the governor pressure (15) introduced from the line pressure circuit (1) actuates the "1st-2nd" shift valve (3), "2nd-3rd" shift valve (4), and pressure modifier valve (5). When the governor pressure is high, the pressure modifier valve (5) acts in such a direction as to compress the spring, and the throttle pressure is led to the throttle pressure (18). This

Range	Gear ratio	Clutch		Low & reverse brake	Band servo		One way clutch	Parking pawl
		Front	Rear		Operation	Release		
Park				on				on
Reverse	2.182	on		on		on		
Neutral								
Drive	D1 Low	2.458		on			on	
	D2 Second	1.458		on	on			
	D3 Top	1.000	on	on	(on)	on		
2	Second	1.458		on	on			
1	1 ₂ Second	1.458		on	on			
	1 ₁ Low	2.458		on	on			

pressure acts against the force of the spring of the pressure regulator valve (1) and also against the throttle pressure (16), thus lowering the line pressure (7).

The governor pressure also increases with the speed of the vehicle, exerting a pressure on one side of the "1st-2nd" shift valve, and counter acts the throttle pressure (19), line pressure

(1), and the spring which are exerting against the governor pressure. Therefore, when the governor pressure exceeds this pressure, the speed is shifted from the "1st" gear to the "2nd" gear. The further the accelerator pedal is depressed, the higher becomes the throttle pressure (19), increasing the governor pressure and shifting the speed change point to the higher side.

Automatic Transmission

"D₁" range (Low gear)

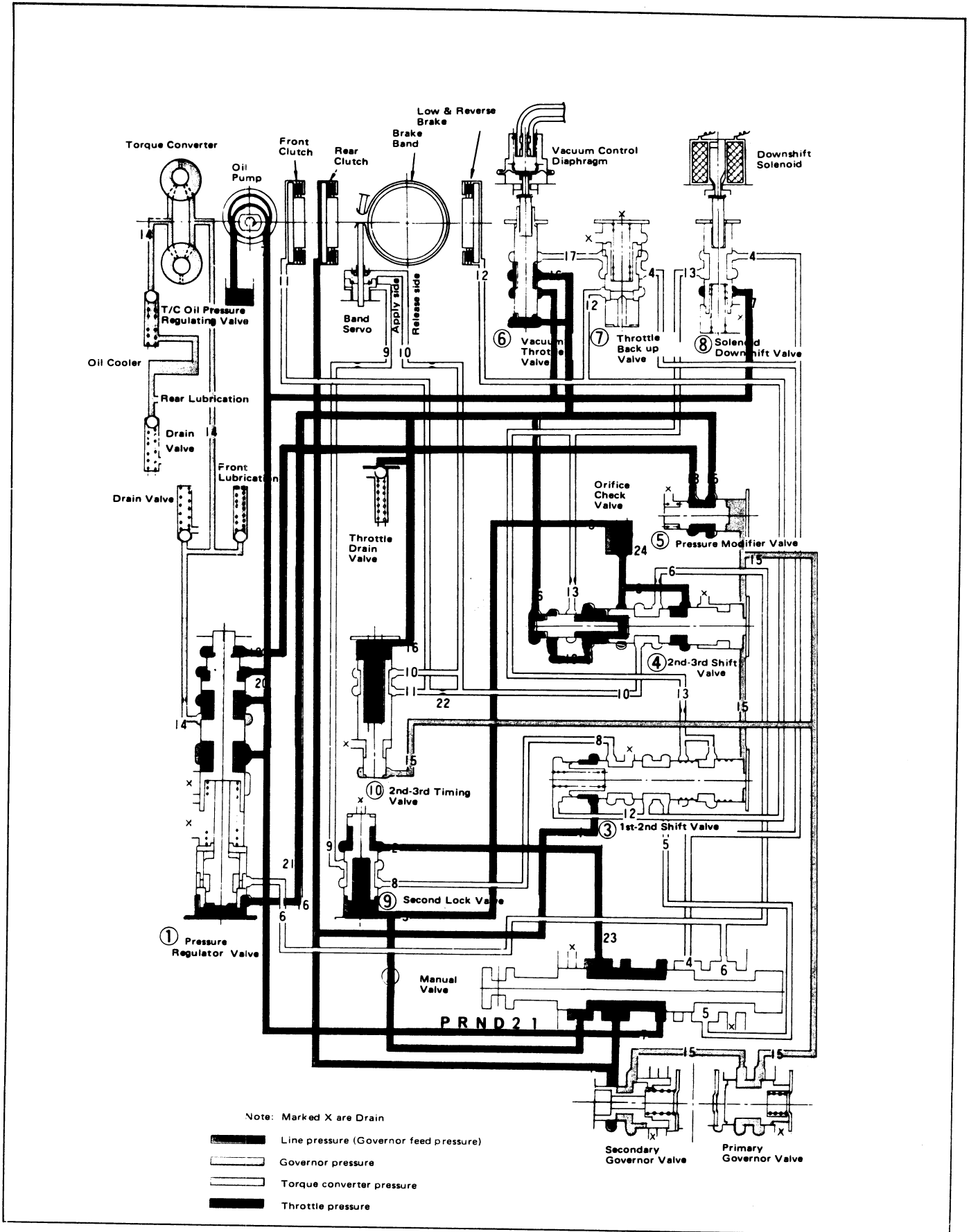
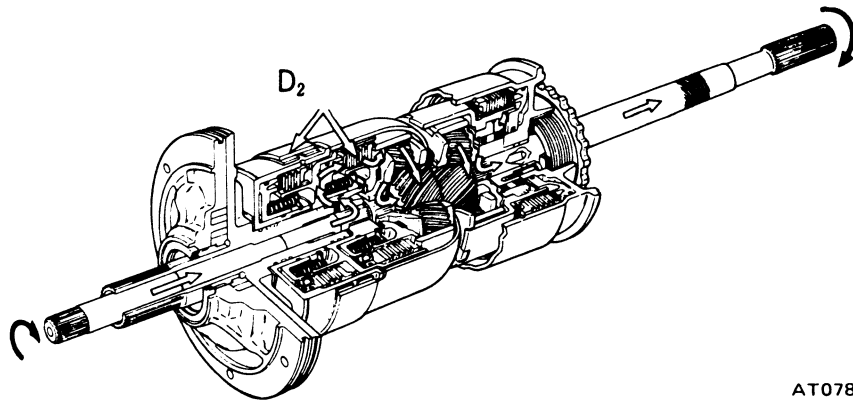


Fig. AT-32 Oil pressure circuit diagram — "D₁" range (Low gear)

"D₂" RANGE (2ND GEAR)

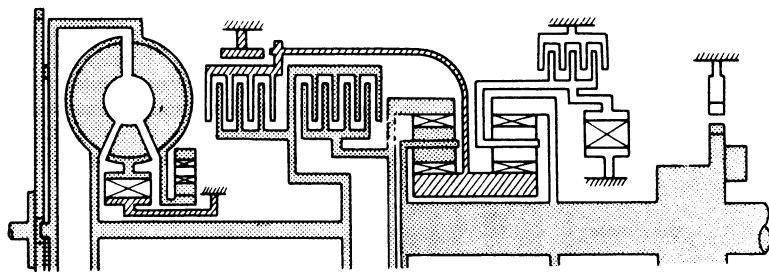
In this case, the rear clutch is applied and the band brake holds the front clutch drum, the connecting shell and the sun gear from rotating.

The power flow takes place through the input shaft into the rear clutch and the front internal gear. With the sun gear held stationary, the front planetary gears rotate around the sun gear, carrying the front planet carrier with them. The front planet carrier, being splined to the output shaft, causes clockwise rotation of the output shaft at a reduced speed compared with the speed of the input shaft, with an increase in torque. As the low and reverse brake is not applied, the clockwise rotation of the output shaft causes clockwise rotation of rear internal gear and the rear planet carrier also rotates around the sun gear in a clockwise direction. The one-way clutch will act to allow the clockwise rotation of connecting drum.



AT078

Fig. AT-33 Power transmission during "D₂" range



AT079

Fig. AT-34 Operation of each mechanism during "D₂" range

Range		Gear ratio	Clutch		Low & reverse brake	Band servo		One way clutch	Parking pawl
			Front	Rear		Operation	Release		
Park					on				on
Reverse		2.182	on		on		on		
Neutral									
Drive	D1 Low	2.458		on				on	
	D2 Second	1.458		on		on			
	D3 Top	1.000	on	on		(on)	on		
2	Second	1.458		on		on			
1	1 ₂ Second	1.458		on		on			
	1 ₁ Low	2.458		on	on				

When the car speed increases while running at "D₁" range (1st gear), the "1st-2nd" shift valve ③ moves allowing the line pressure (1) to be introduced into the line pressure (8) through itself. The line pressure (8) is further led to the line pressure (9) through the second lock valve ⑨, and by locking the band servo, obtains the "2nd" gear condition.

Automatic Transmission

"D₂" range (2nd gear)

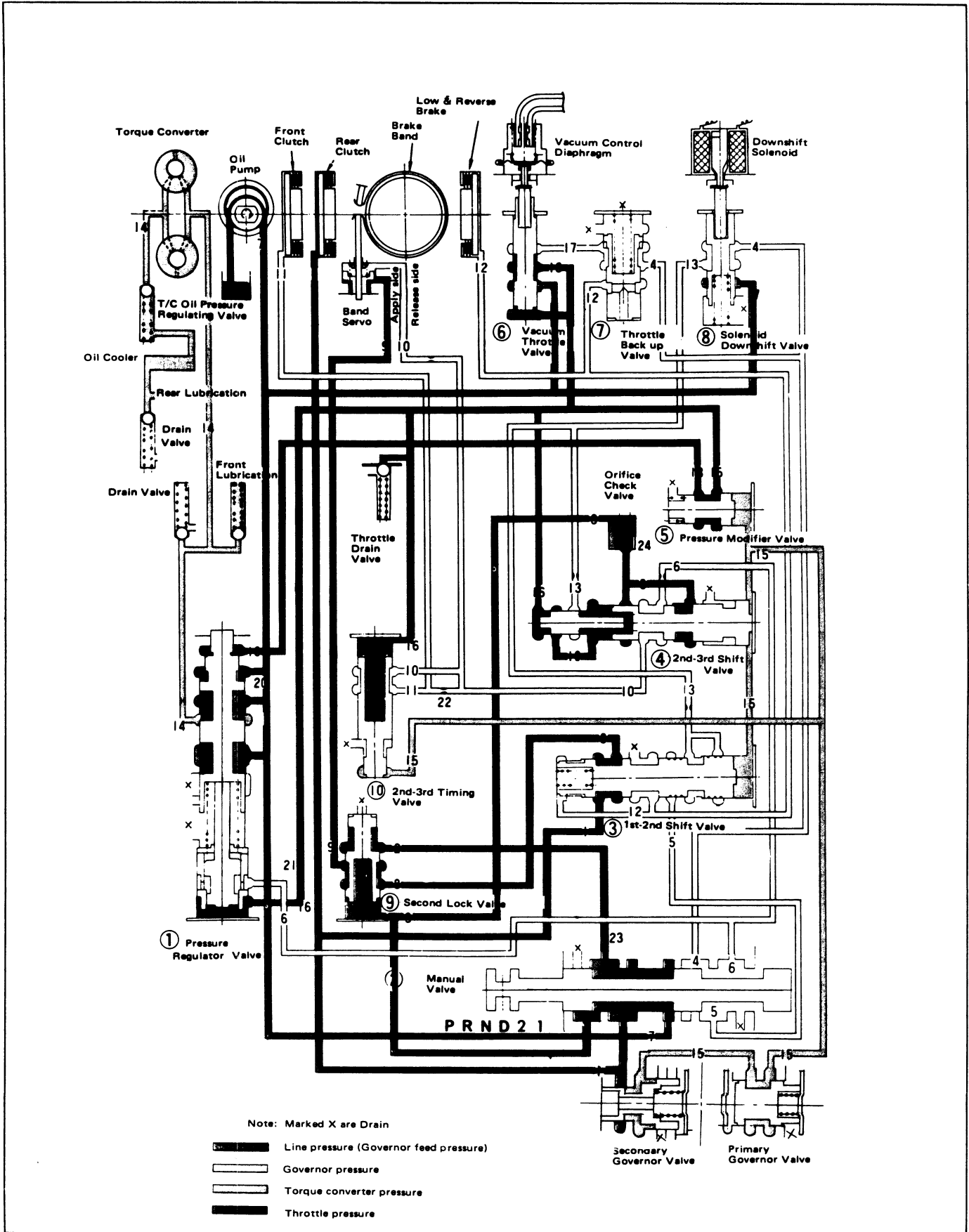
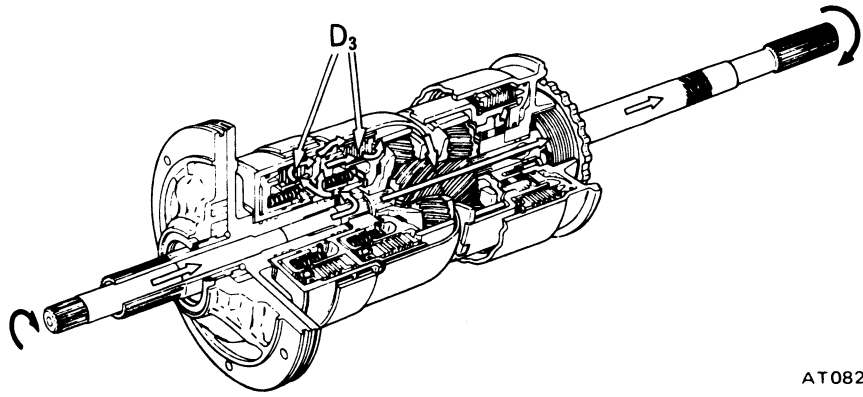


Fig. AT-35 Oil pressure circuit diagram — "D₂" range (2nd gear)

"D₃" RANGE (TOP GEAR)

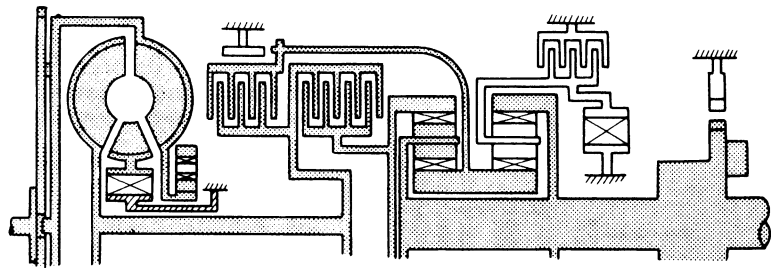
In 3rd gear position, the front and rear clutches are engaged. The power flow takes place through the input shaft into rear clutch drum. The rear clutch drum rotates the steel drive plates of the rear clutch and the lined drive plates of the rear clutch and the lined drive plates of the front clutch. The rear clutch directs the power flow through the rear clutch hub and front internal gear to the front planet carrier.

The front clutch directs the power flow through the connecting shell to the sun gear. With the sun gear and the rear clutch hub driven at the same speed, the front planet assembly is forced to rotate the output shaft at the same speed in the direction to provide the top gear.



AT082

Fig. AT-36 Power transmission during "D₃" range



AT083

Fig. AT-37 Operation of each mechanism "D₃" range

When the car speed further increases while running at "D₂" range (2nd gear) and the governor pressure (15) exceeds the combined force of the spring of the "2nd-3rd" shift valve (4) and the throttle pressure (19), the "2nd-3rd" shift valve (4) moves, and the line pressure (8) acts to release the front clutch and band servo through the line pressure (10).

Range		Gear ratio	Clutch		Low & reverse brake	Band servo		One way clutch	Parking pawl
			Front	Rear		Operation	Release		
Park					on				on
Reverse		2.182	on		on		on		
Neutral									
Drive	D1 Low	2.458		on				on	
	D2 Second	1.458		on		on			
	D3 Top	1.000	on	on		(on)	on		
2		Second		on		on			
1	l ₂ Second	1.458		on		on			
	l ₁ Low	2.458		on	on				

Automatic Transmission

"D₃" range (Top gear)

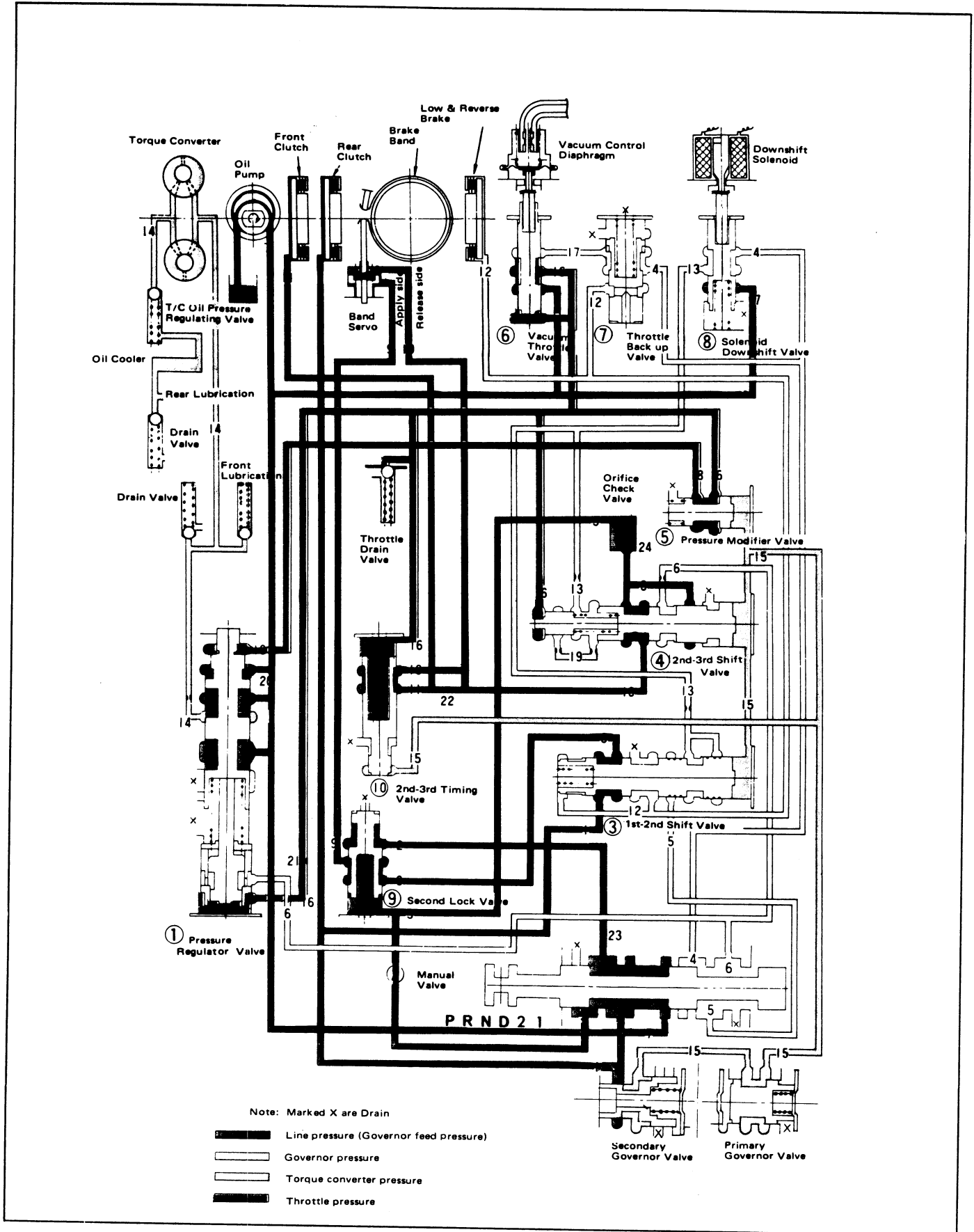


Fig. AT-38 Oil pressure circuit diagram — "D₃" range (Top gear)

Automatic Transmission

"D" RANGE KICKDOWN

While operating at speeds below approximately 80 to 90 km/h (50 to 56 MPH), a kick "3rd-2nd" downshift can be accomplished by fully depressing the accelerator.

A kick "3rd-1st" or "2nd-1st" downshift can also be accomplished below approximately 40 to 50 km/h (25 to 31 MPH).

When kickdown is performed, the push rod operates by the solenoid, the valve is depressed downward, and the circuit from the line pressure (7) to the line pressure (13) opens. The line pressure (13), (3) plus the force of the "2nd-3rd" shift valve spring oppose the governor pressure (15) at the "2nd-3rd" shift valve ④, and thus, performs "3rd-2nd" downshift operation.

Moreover, the line pressure (13) plus the force of the "1st-2nd" shift valve spring oppose the governor pressure (15) at the "1st-2nd" shift valve ③, and thus, perform "3rd-2nd" or "2nd-1st" downshift operation.

Range		Gear ratio	Clutch		Low & reverse brake	Band servo		One way clutch	Parking pawl
			Front	Rear		Operation	Release		
Park					on				on
Reverse		2.182	on		on		on		
Neutral									
Drive	D1 Low	2.458		on				on	
	D2 Second	1.458		on		on			
	D3 Top	1.000	on	on		(on)	on		
2 Second		1.458		on		on			
1	1 ₂ Second	1.458		on		on			
	1 ₁ Low	2.458		on	on				

“D” range kickdown (Shift valves in 2nd gear position)

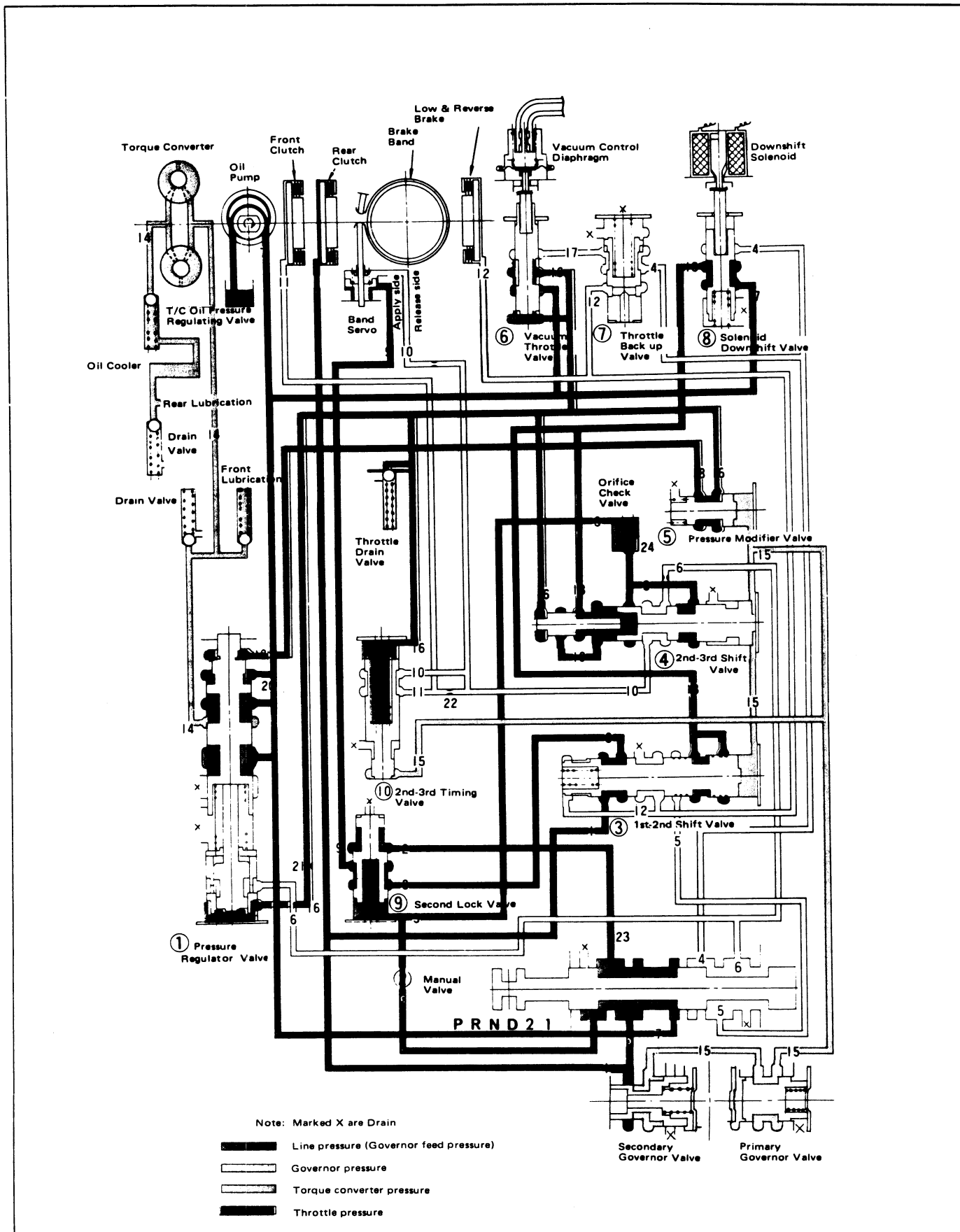
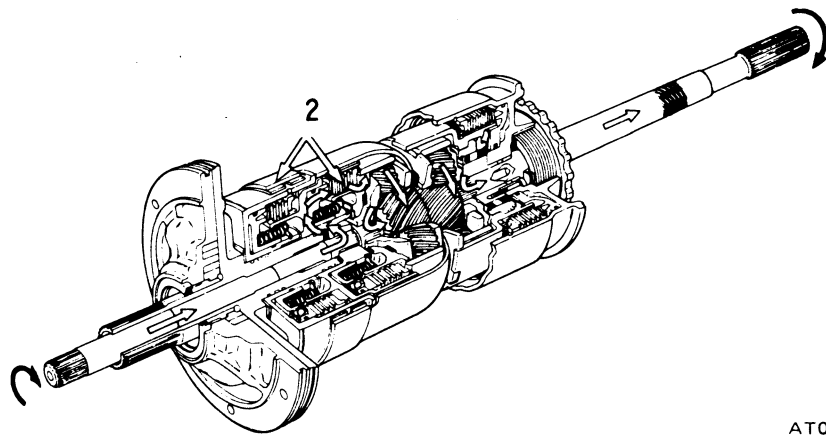


Fig. AT-39 Oil pressure circuit diagram — “D” range kickdown (shift valves in 2nd gear position)

"2" RANGE (2ND GEAR)

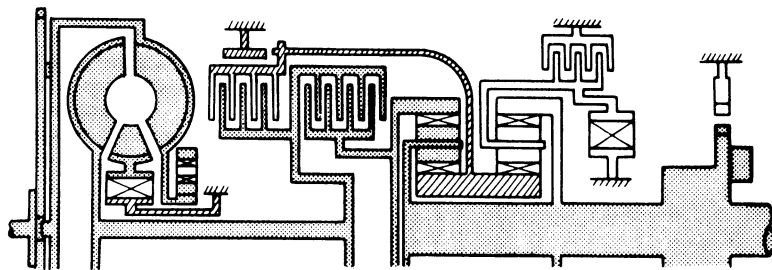
In "2" range the gear ratio is locked in the 2nd forward speed. In this case, the rear clutch is engaged and the band brake holds the front clutch drum, the connecting shell and sun gear from rotating.

The power flow takes place through the input shaft into the rear clutch and the front internal gear. With the sun gear held stationary, the front planetary gears rotate around the sun gear, carrying the front planet carrier with them. The front planet carrier, being splined to the output shaft, causes clockwise rotation of the output shaft at a reduced speed compared to the speed of the input shaft, with an increase in torque. As the low and reverse brake is not engaged, the clockwise rotation of the output shaft causes clockwise rotation of rear internal gear and the rear planet carrier also rotates around the sun gear in a clockwise direction. The one-way clutch will act to allow clockwise rotation of connecting drum.



AT078

Fig. AT-40 Power transmission during "2" range



AT079

Fig. AT-41 Operation of each mechanism during "2" range

When the manual valve ② is positioned at "2", the line pressure (7) is introduced into the line pressure circuits (1), (2) and (4). The line pressure (1) is led to the governor, rear clutch and "1st-2nd" shift valve ③ as in the case of "D" range. The line pressure (2) locks the second lock valve ⑨ and is led to the tightening side of the band servo.

The "2nd" gear is therefore fixed regardless of vehicle speed. When "D₃" range (3rd gear) is shifted to "2" range, the line pressure (4) enters the throttle back-up valve ⑦ and produces a high pressure in the circuit (17), increasing the throttle pressure (16). The line pressure (7) is, therefore, increased and quickly tightens the band.

Range	Gear ratio	Clutch		Low & reverse brake	Band servo		One way clutch	Parking pawl
		Front	Rear		Operation	Release		
Park				on				on
Reverse	2.182	on		on		on		
Neutral								
Drive	D1 Low	2.458	on				on	
	D2 Second	1.458	on		on			
	D3 Top	1.000	on	on	(on)	on		
2	Second	1.458	on		on			
1	1 ₂ Second	1.458	on		on			
	1 ₁ Low	2.458	on	on				

Note: "D₃" range (3rd gear) to "2" range:

If "D₃" range (3rd gear) is shifted to "2" range during operation, the manual valve ② is also shifted to

"2" position, causing the line pressure circuit (3) to be drained. Therefore, the line pressure circuit (10) which is situated at the release side of the front clutch and servo is also drained through the "2nd-3rd" shift valve ④, forcing the speed to

decrease from "3rd gear" to "2nd gear." In this case the speed change quickly takes place because the line pressure (7) and other pressure are heightened by the action of the line pressure (4), in the same manner as described under "2" range.

Automatic Transmission

"2" range (2nd gear)

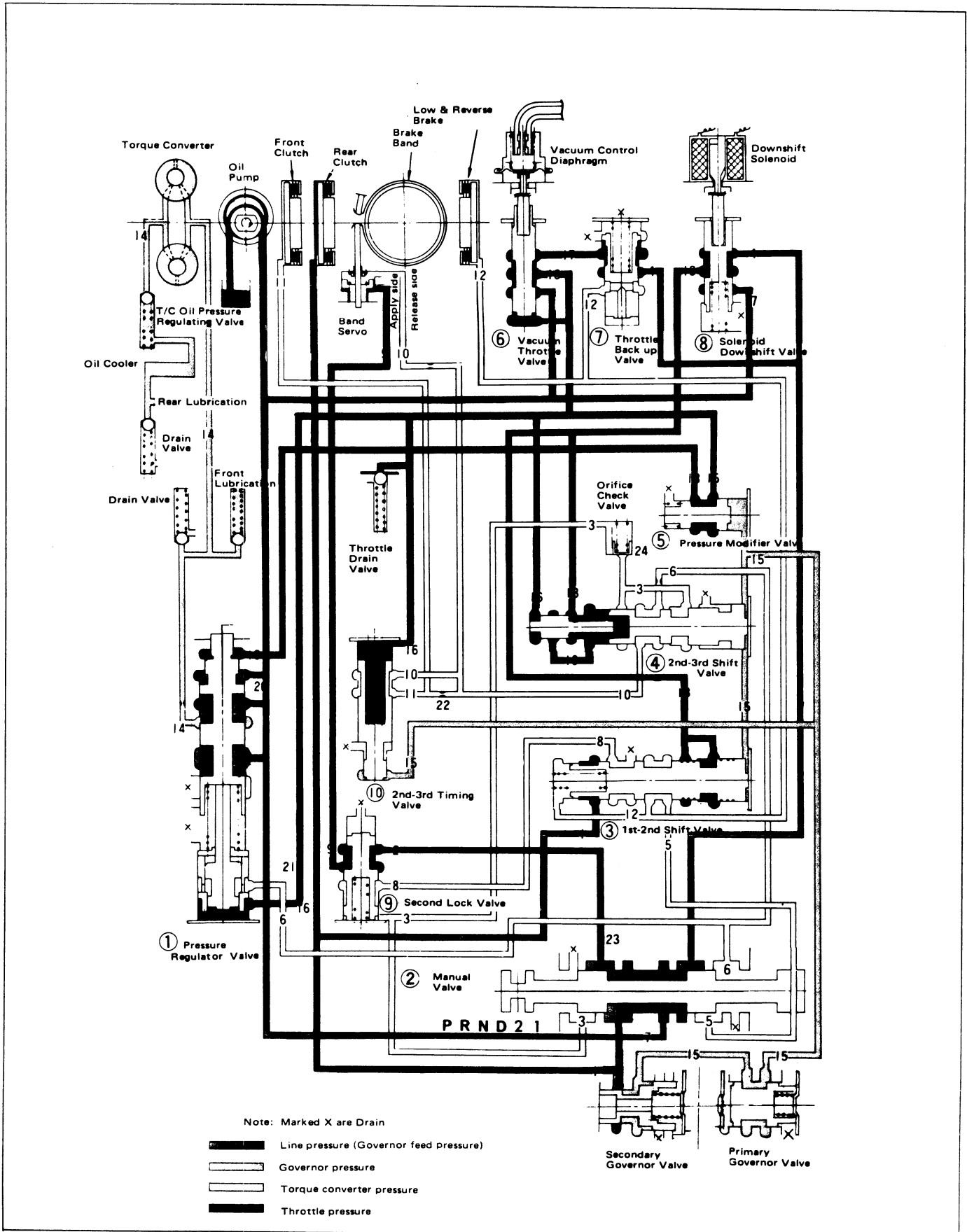


Fig. AT-42 Oil pressure circuit diagram — "2" range (2nd gear)

"1," RANGE (LOW GEAR)

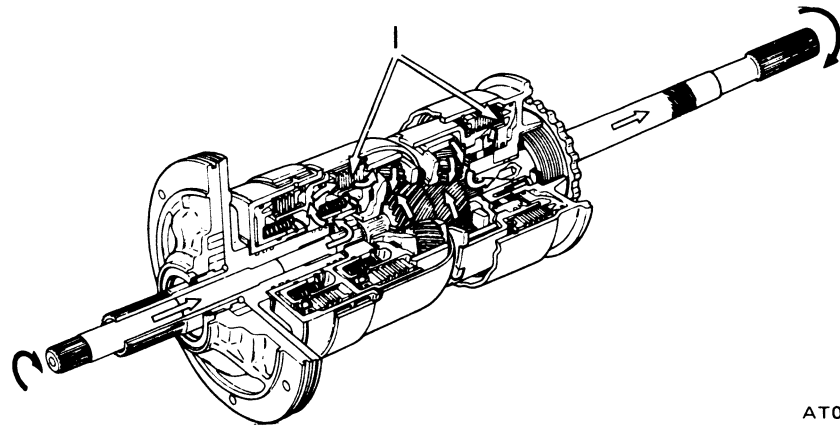
When starting in "1" range, the driving gear is locked to the low gear ratio.

In "1" range, the rear clutch is engaged and the low and reverse brake holds the connecting drum and rear planet carrier from rotating. The power flow takes place through the input shaft and into the rear clutch. Rotation of the rear clutch drives the rear clutch hub and front internal gear. The front internal gear rotates the front planetary gears clockwise to cause the sun gear to rotate counterclockwise.

Counterclockwise rotation of the sun gear turns the rear planetary gear clockwise.

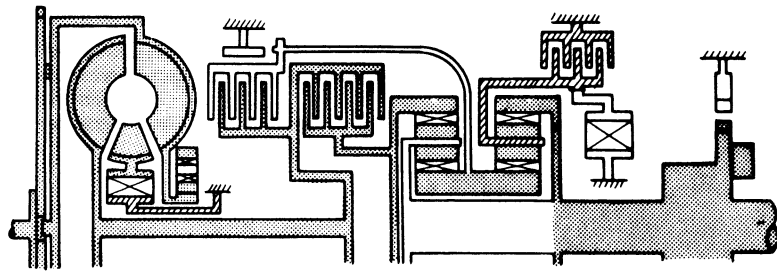
The rear planet carrier splined to the connecting drum is held from rotating by the low and reverse brake.

The clockwise rotation of the rear planetary gears therefore rotates the rear internal gear and internal drive flange. The internal drive flange is splined to the output shaft and rotates the output shaft clockwise. However, the output shaft rotates at a lower speed compared to that of the input shaft. This is caused by the fact that the front planet carrier rotates at the same speed as the output shaft in the same direction since the carrier is splined to the output shaft. The front internal gear and planetary gear assembly are rotating in the same direction, but the planet carrier is rotating at a speed slower than the ring gear. So the gear ratio of this speed range is a combination of the ratios provided by the front and rear planetary gear assemblies.



AT076

Fig. AT-43 Power transmission during "1" range



AT077

Fig. AT-44 Operation of each mechanism during "1" range

Range	Gear ratio	Clutch		Low & reverse brake	Band servo		One way clutch	Parking pawl
		Front	Rear		Operation	Release		
Park				on				on
Reverse	2.182	on		on		on		
Neutral								
Drive	D1 Low	2.458		on			on	
	D2 Second	1.458		on		on		
	D3 Top	1.000	on	on		(on)	on	
2	Second	1.458		on		on		
1	1 ₂ Second	1.458		on		on		
	1 ₁ Low	2.458		on	on			

When the manual valve ② is positioned at "1", the line pressure (7) is applied into the line pressure circuits (1), (4) and (5). The oil pressure in (5) actuates the low and reverse brake after being introduced into the circuit (12) through the "1st-2nd" shift valve ③, and the line pressure (1) acts on

the rear clutch and governor. The line pressure (4) acts in the same manner as in "2" range.

Similar to that of the "D" range, the line pressure increases with the degree of accelerator pedal depression, and the line pressure decreases with the increase of car speed. The governor

pressure (15) which acts on the "1st-2nd" shift valve does not increase until it overcomes the combined force of the line pressure (12) and the spring, causing no "1st-2nd" speed change.

Automatic Transmission

"1," range (Low gear)

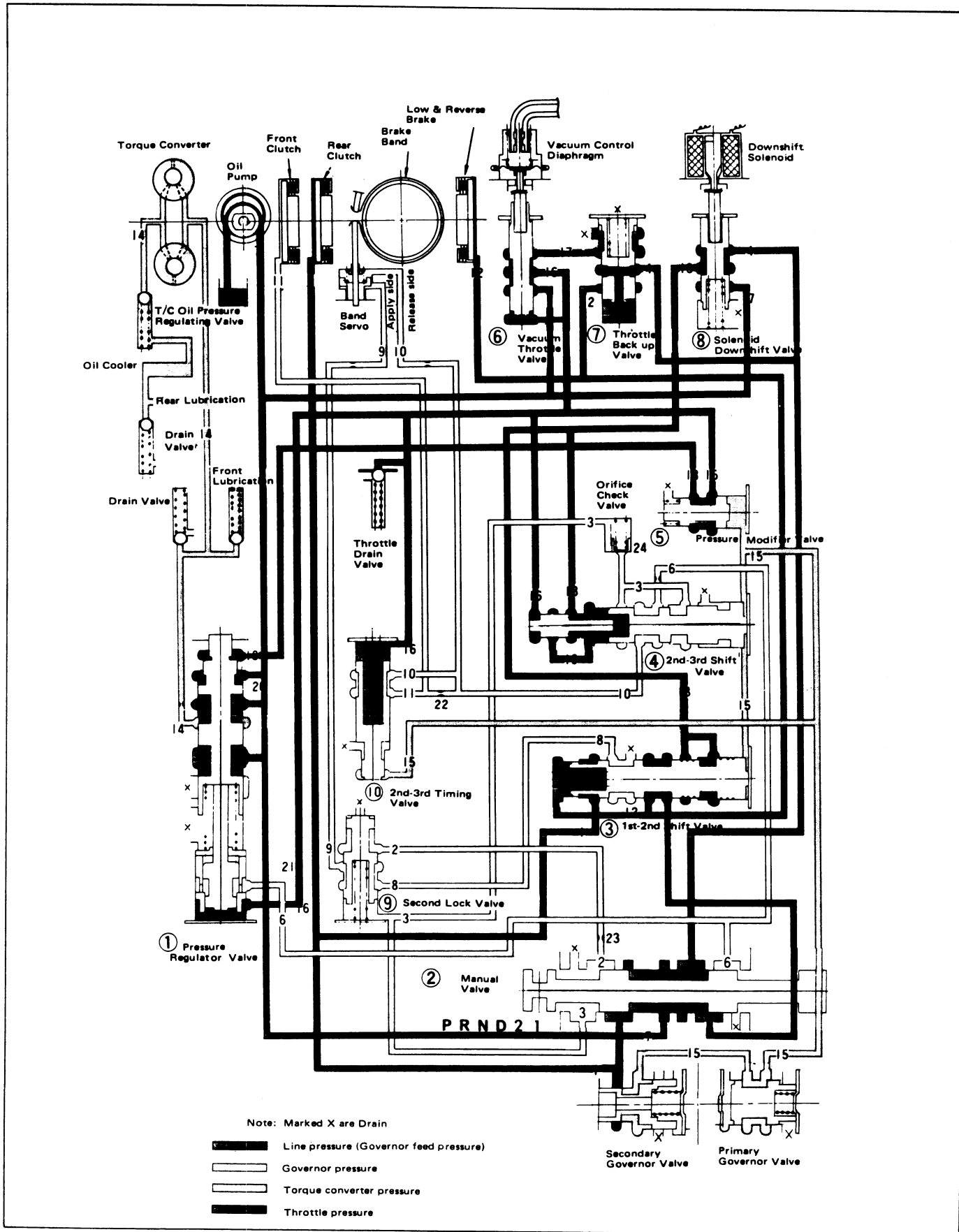


Fig. AT-45 Oil pressure circuit diagram — "1," range (Low gear)

Automatic Transmission

"1₂" range (2nd gear)

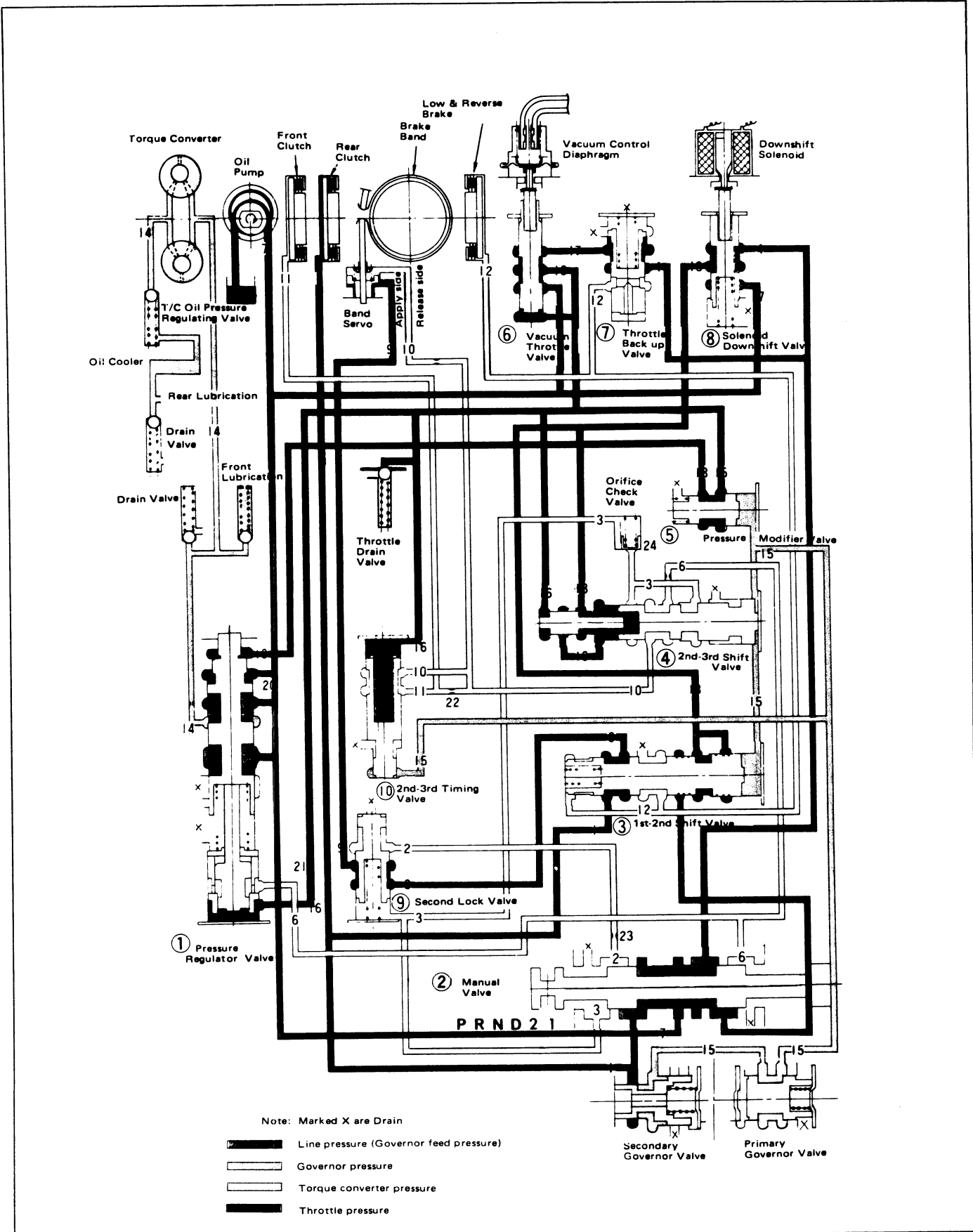


Fig. AT-46 Oil pressure circuit diagram — "1₂" range (2nd gear)

REMOVAL AND INSTALLATION

CONTENTS

TRANSMISSION ASSEMBLY	AT-33	TRANSMISSION CONTROL LINKAGE	AT-35
REMOVAL	AT-33	REMOVAL AND INSTALLATION	AT-35
INSTALLATION	AT-33	ADJUSTMENT	AT-35

TRANSMISSION ASSEMBLY

When removing the automatic transmission from a vehicle, pay attention to the following points:

1. Before removing the transmission, inspect it with the aid of the "Trouble Shooting Chart," and remove only when considered to be absolutely necessary.
2. Remove the transmission with utmost care; and when mounting, observe the tightening torque tables. Do not exert excessive force.

REMOVAL

In removing automatic transmission from car, proceed as follows:

1. Disconnect battery ground cable from terminal.
 2. Jack up car and support its weight on safety stands. A hydraulic hoist or an open pit should be utilized, if available.
- Ensure that safety precautions are observed.
3. On California models, remove lower catalytic converter shelter.
 4. Disconnect front exhaust tube from exhaust manifold.
 5. Remove bolt securing front exhaust tube to rear engine mounting member.
 6. Remove propeller shaft.

Note: Plug up the opening in the rear extension to prevent oil from leaking out.

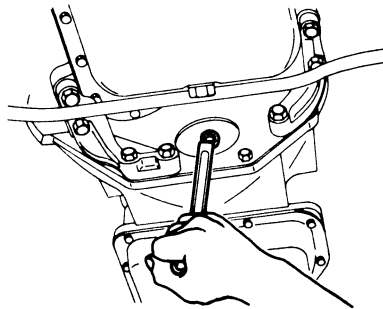
7. Disconnect selector range lever from manual shaft.
8. Disconnect wire connections at inhibitor switch.
9. Disconnect vacuum tube from vacuum diaphragm, and wire connections

tions at downshift solenoid.

10. Disconnect speedometer cable from rear extension.
11. Disconnect oil charging pipe.
12. Disconnect oil cooler inlet and outlet tubes at transmission case.
13. Support engine by placing a jack under oil pan, with a wooden block between oil pan and jack.

Support transmission by means of a transmission jack.

14. Detach engine rear plate rubber plug. Remove bolts securing torque converter to drive plate. See Figure AT-47.



AT287

Fig. AT-47 Removing torque converter attaching bolts

Note: Before removing torque converter, scribe match marks on two parts so that they may be replaced in their original positions.

15. Remove bolts securing rear engine mounting member to body.
16. Remove starter motor.
17. Remove bolts securing transmission to engine. After removing these bolts, support engine and transmission with jack, and lower the jack gradually until transmission can be removed from under the car.

Note: Plug up any openings such as oil charging pipe, oil cooler tubes, etc.

INSTALLATION

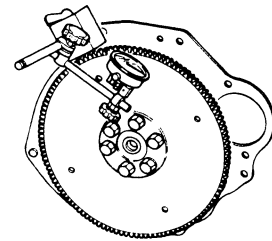
For installation of automatic transmission, reverse the order of removal. However, observe the following installation notes:

1. Drive plate runout

Turn crankshaft one full turn and measure drive plate runout with indicating finger of a dial gauge resting against plate. See Figure AT-48.

[Replace drive plate if in excess of 0.5 mm (0.020 in).]

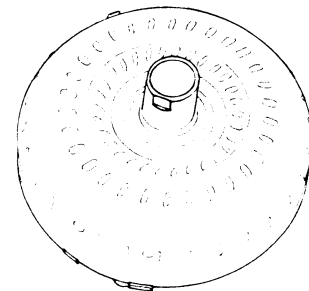
- Maximum allowable runout:
0.3 mm (0.012 in)
Total indicator reading



AT288

Fig. AT-48 Measuring drive plate runout

2. Installation of torque converter
Line up notch in torque converter with that in oil pump. Be extremely careful not to cause undue stresses in parts while installing torque converter. See Figure AT-49.



AT116

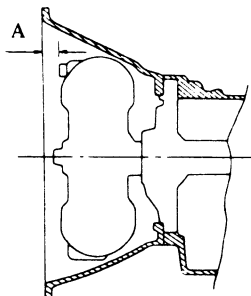
Fig. AT-49 Torque converter aligning cut

Automatic Transmission

3. When connecting torque converter to transmission, measure distance "A" to ensure that they are correctly assembled. See Figure AT-50.

Distance "A":

More than 21.5 mm (0.846 in)



AT117

Fig. AT-50 Installing torque converter

4. Bolt converter to drive plate.

Note: Align chalk marks painted across both parts during disassembly process.

5. After converter is installed, rotate crankshaft several turns and check to be sure that transmission rotates freely without binding.

6. Pour recommended automatic transmission fluid up to correct level through oil charge pipe.

7. Connect selector range lever to manual shaft. Operation should be carried out with manual and selector levers in "N".

8. Connect inhibitor switch wires.

Note:

a. Refer to page AT-49 for Checking and Adjusting Inhibitor Switch.

b. Inspect and adjust switch as detailed above whenever it has to be removed for service.

9. Check inhibitor switch for operation:

Starter should be brought into operation only when selector lever is in "P" and "N" positions (it should not be started when lever is in "D", "2", "1" and "R" positions).

Back-up lamp should also light when selector lever is placed in "R" position.

10. Check level of oil in transmission. For detailed procedure, see page AT-48 for Checking Oil Level.

11. Move selector lever through all positions to be sure that transmission operates correctly.

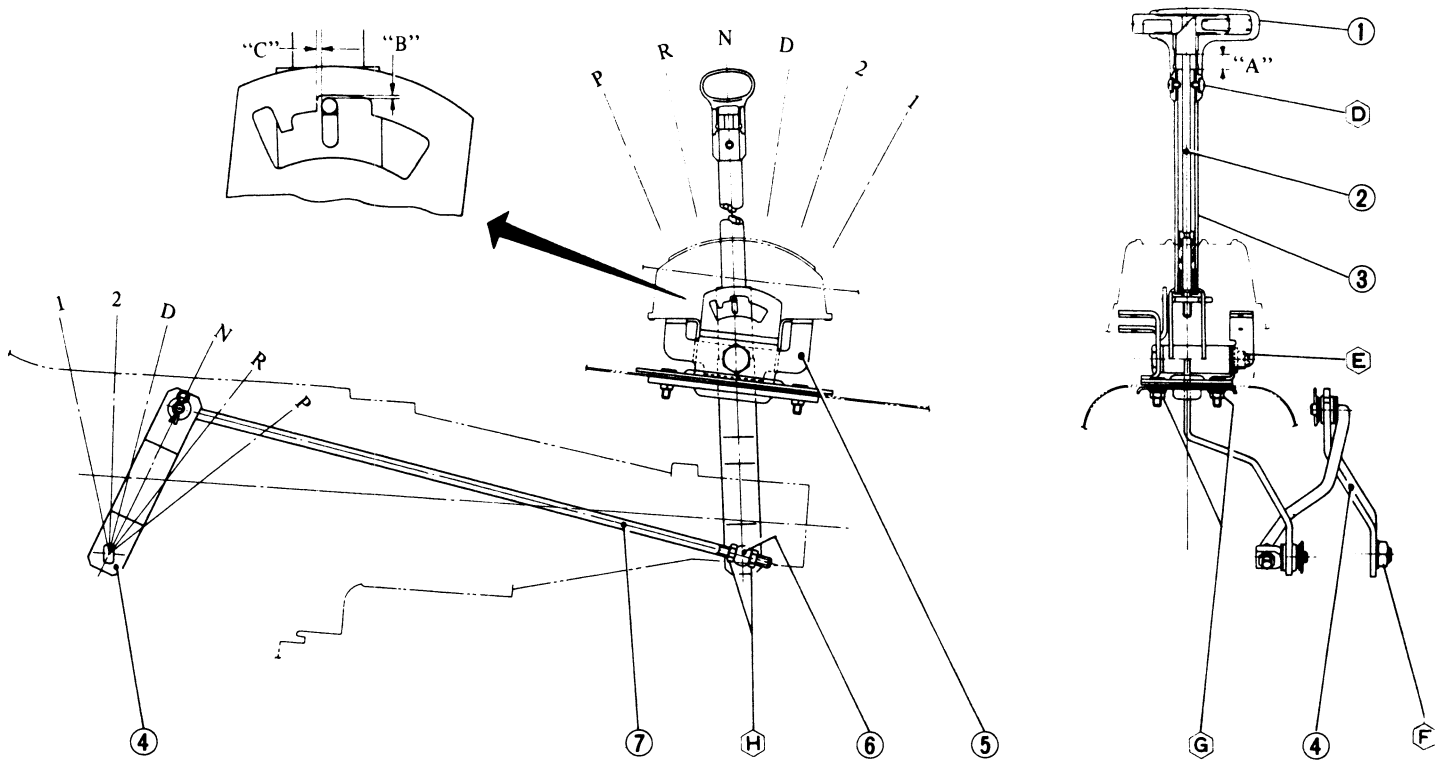
With hand brake engaged, rotate engine at idling speed. Without disturbing the above setting, move selector lever through "N" to "D", to "2", to "1" and to "R". A slight shock should be felt each time transmission is shifted.

Note: See page AT-49 for Checking Engine Idling.

12. Check to ensure that line pressure is correct. To do this, refer to page AT-52 for Testing Line Pressure.

13. Perform stall test as described in page AT-50 for Stall Test.

TRANSMISSION CONTROL LINKAGE



AT292

- 1 Control lever knob
- 2 Pusher
- 3 Control lever assembly
- 4 Selector range lever
- 5 Control lever bracket
- 6 Joint trunnion
- 7 Selector rod

- Tightening torque of nuts and screws kg-m (ft-lb)
- D 0.07 to 0.13 (0.5 to 0.9)
 - E 1.6 to 2.2 (12 to 16)
 - F 3 to 4 (22 to 29)
 - G 0.35 to 0.45 (2.5 to 3.3)
 - H 0.8 to 1.1 (5.8 to 8.0)

Fig. AT-51 Control linkage system

REMOVAL AND INSTALLATION

1. Disconnect control knob from control lever by removing two (2) screws.
2. Remove console box.
3. Remove selector rod, selector range lever and control lever assembly with bracket.

To install, reverse the order of removal.

ADJUSTMENT

The adjustment of linkage is as

important as "Inspection of oil level" for the automatic transmission.

Therefore, great care should be exercised because defective adjustment will result in the breakdown of the transmission.

1. Prior to installing control knob, set the dimension "A" to 11 to 12 mm (0.43 to 0.47 in).
2. Install control knob on lever. At the same time, check the dimension "B" and adjust it to 0.1 to 1.1 mm (0.004 to 0.043 in) by turning pusher ②. See Figure AT-51.

3. Loosen adjust nuts (H). Set control lever ③ and selector lever ④ at "N" position, moreover, set the clearance "C" to 1 mm (0.04 in) by turning in or out adjusting nuts at trunnion ⑥ which connects selector rod ⑦.

After adjusting, make sure that control lever can be set in any position correctly and that selector lever operates properly without any binding.

If levers do not operate satisfactorily, readjust or replace parts as necessary.

MAJOR REPAIR OPERATION

CONTENTS

SERVICE NOTICE FOR DISASSEMBLY AND ASSEMBLY	AT-36	COMPONENT PARTS	AT-40
TORQUE CONVERTER	AT-36	FRONT CLUTCH	AT-40
INSPECTION	AT-36	REAR CLUTCH	AT-41
TRANSMISSION	AT-36	LOW & REVERSE BRAKE	AT-42
DISASSEMBLY	AT-36	SERVO PISTON	AT-42
INSPECTION	AT-38	GOVERNOR	AT-43
ASSEMBLY	AT-38	OIL PUMP	AT-43
		PLANETARY CARRIER	AT-44
		CONTROL VALVE	AT-44

SERVICE NOTICE FOR DISASSEMBLY AND ASSEMBLY

1. It is advisable that repair operations be carried-out in a dust-proof room.
2. Due to the differences of the engine capacities, the specifications of component parts for each model's transmission may be different. They do, however, have common adjustment and repair procedures as well as cleaning and inspection procedures, outlined hereinafter.
3. During repair operations, refer to "Service Data and Specifications" section for the correct parts for each model.
4. Before removing any of subassemblies, thoroughly clean the outside of the transmission to prevent dirt from entering the mechanical parts.
5. Do not use a waste rag. Use a nylon or paper cloth.
6. After disassembling, wash all disassembled parts, and examine them to see if there are any worn, damaged or defective parts, and how they are affected. Refer to "Service Data" for the extent of damage that justifies replacement.
7. As a rule, packings, seals and similar parts once disassembled should be replaced with new ones.

TORQUE CONVERTER

The torque converter is a welded construction and can not be disassembled.

INSPECTION

1. Check torque converter for any sign of damage, bending, oil leak or deformation. If necessary, replace.
2. Remove rust from pilots and bosses completely.

If torque converter oil is fouled or contaminated due to burnt clutch, flush the torque converter as follows:

- (1) Drain oil in torque converter.
- (2) Pour non lead gasoline or kerosene into torque converter [approximately 0.5 liter (1 1/8 US pt, 3/8 Imp pt)].
- (3) Blow air into torque converter and flush and drain out gasoline.
- (4) Fill torque converter with torque converter oil [approximately 0.5 liter (1 1/8 US pt, 3/8 Imp pt)].
- (5) Again blow air into torque converter, and drain torque converter oil.

TRANSMISSION

DISASSEMBLY

1. Drain oil from the end of rear extension. Mount transmission on Transmission Case Stand ST07870000 or ST07860000. Remove oil pan. See Figure AT-52.

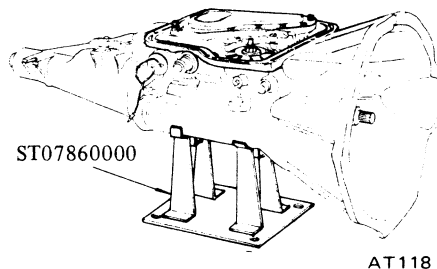


Fig. AT-52 Removing oil pan

2. Remove bolts securing converter housing to transmission case. Remove torque converter.
3. Remove speedometer pinion sleeve bolt. Withdraw pinion.
4. Remove downshift solenoid and vacuum diaphragm. Do not leave diaphragm rod at this stage of disassembly. Rod is assembled in top of vacuum diaphragm. See Figure AT-53.

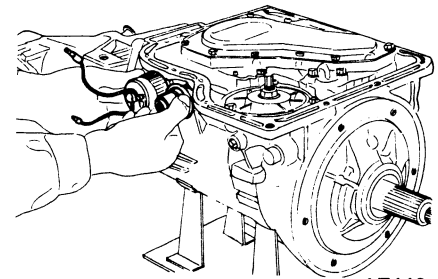


Fig. AT-53 Downshift solenoid and vacuum diaphragm

5. Remove bolts which hold valve body to transmission case. See Figure AT-54.

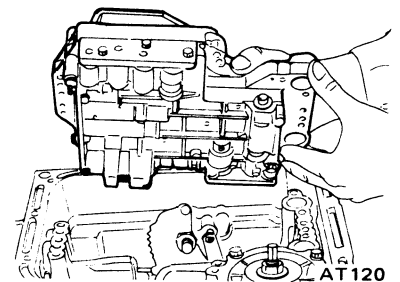


Fig. AT-54 Removing valve body

6. Loosen lock nut ② on piston stem ① as shown in Figure AT-55. Then tighten piston stem in order to prevent front clutch drum from falling when oil pump is withdrawn.

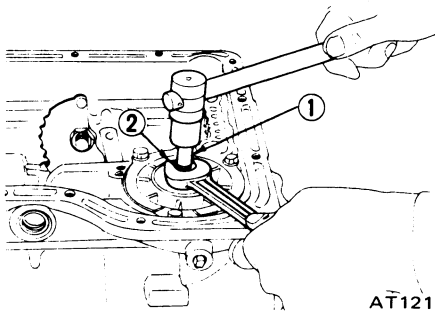


Fig. AT-55 Loosening band servo

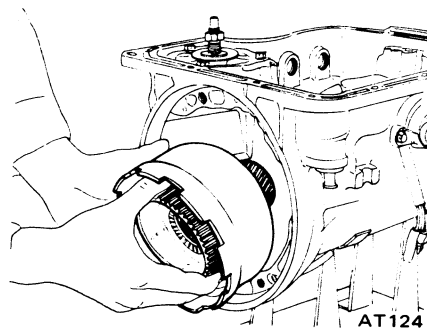


Fig. AT-58 Removing connecting shell

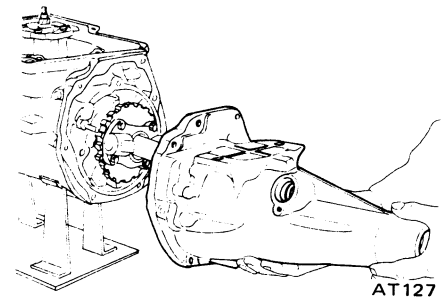


Fig. AT-61 Removing rear extension

7. Pull out input shaft.
8. Withdraw oil pump using Sliding Hammer ST25850000. Do not allow front clutch to come out of position and drop onto floor. See Figure AT-56.

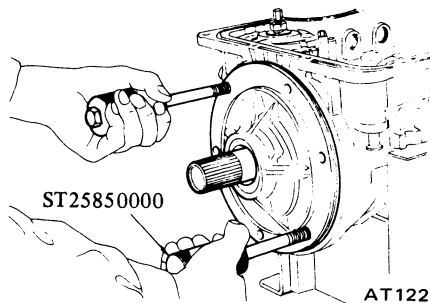


Fig. AT-56 Removing oil pump

12. With the aid of Snap Ring Remover HT69860000, pry snap ring off output shaft. See Figure AT-59.

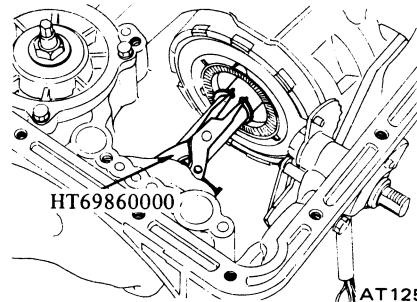


Fig. AT-59 Removing snap ring

16. Pull out output shaft; remove oil distributor ② together with governor valve ①. See Figure AT-62.

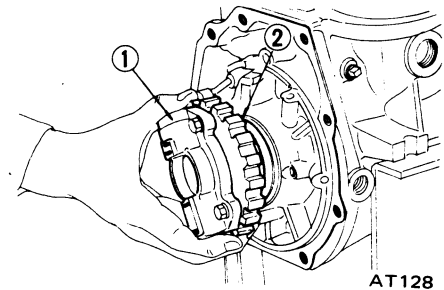


Fig. AT-62 Removing governor and oil distributor

9. Remove band strut. This can be done by loosening piston stem further. See Figure AT-57.

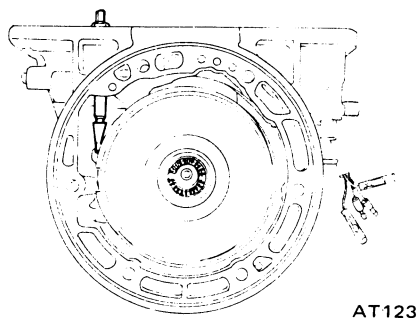


Fig. AT-57 Removing band strut

13. Remove connecting drum and inner gear of rear planetary carrier as an assembly. See Figure AT-60.

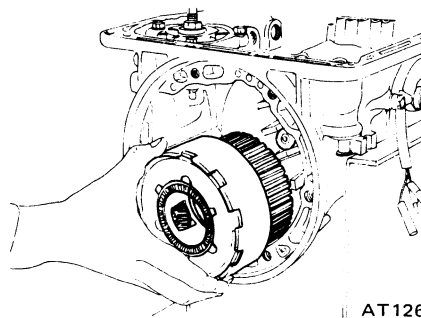


Fig. AT-60 Removing connecting drum

17. Pry off snap ring using a pair of pliers. Remove retaining plate, drive plate, driven plate and dish plate in that order. See Figure AT-63.

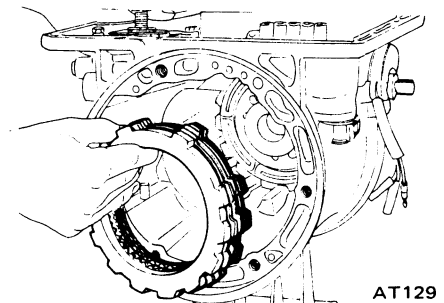


Fig. AT-63 Removing drive and driven plates

10. Remove brake band, front clutch and rear clutch as an assembled unit.

11. Remove connecting shell, rear clutch hub and front planetary carrier as a unit. See Figure AT-58.

14. Remove snap rings and then remove rear planetary carrier, internal gear, connecting drum, one-way clutch outer race and one-way clutch in that order.

15. Remove rear extension by loosening securing bolts. See Figure AT-61.

18. Reaching through back side of transmission case, remove hex-head slotted bolts as shown in Figure AT-64. To do this, use Hex-head Extension ST25570001 (ST25570000). One-way clutch inner race, thrust washer, piston return spring and thrust spring can now be removed.

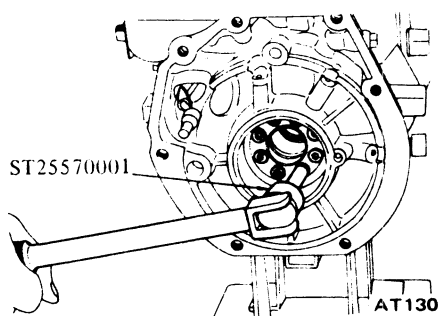


Fig. AT-64 Removing hex-head slotted bolt

19. Blow out low and reverse brake piston by directing a jet of air into hole in cylinder. See Figure AT-65.

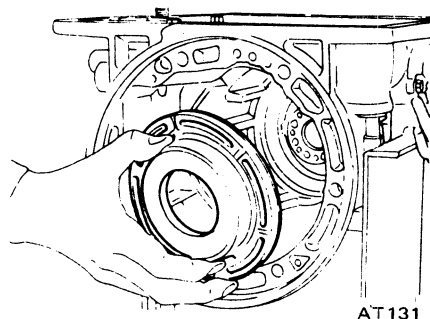


Fig. AT-65 Removing piston

20. Remove band servo loosening attaching bolts.

Note: If difficulty is encountered in removing retainer, direct a jet of air toward release side as shown in Figure AT-66.

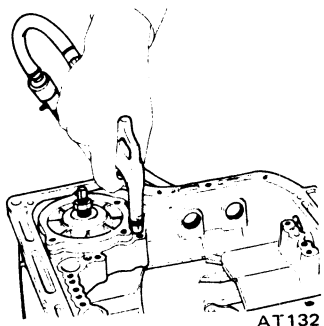


Fig. AT-66 Removing band servo

21. Pry snap rings ① from both ends of parking brake lever ② and remove the lever. Back off manual shaft lock nut ③ and remove manual plate ④ and parking rod ⑤. See Figure AT-67.

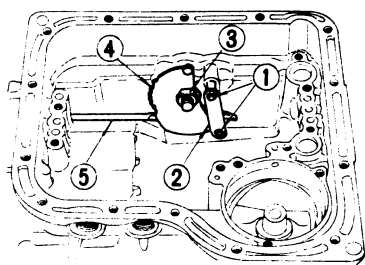


Fig. AT-67 Removing manual plate

22. Remove inhibitor switch and manual shaft by loosening two securing bolts.

INSPECTION

Torque converter housing, transmission case and rear extension

1. Check for damage or cracking; if necessary, replace.
2. Check for dents or score marks on mating surfaces. Repair as necessary.
3. If rear extension bushing is worn or cracked, replace it as an assembly of bushing and rear extension bushing.

Gaskets and O-ring

1. Always use new gaskets when the units are to be disassembled.
2. Check O-rings for burrs or cracking. If necessary, replace with new rings.

Oil distributor

1. Check for signs of wear on seal ring and ring groove, replacing with new ones if found worn beyond use.
2. Check that clearance between seal ring and ring groove is correct. If out of specification, replace whichever is worn beyond limits. Correct clearance is from 0.04 to 0.16 mm (0.0016 to 0.0063 in). See Figure AT-68.

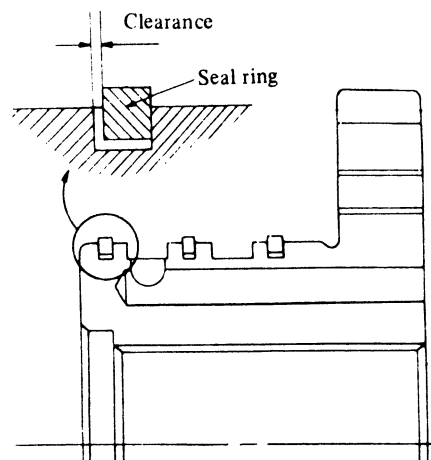


Fig. AT-68 Measuring seal ring to ring groove clearance

ASSEMBLY

Assembly is in reverse order of disassembly. However, observe the following assembly notes.

1. After installing piston of low and reverse brake, assemble thrust spring ring, return spring, thrust washer and one-way clutch inner race. Torque hex-head slotted bolt to 1.3 to 1.8 kg-m (9 to 13 ft-lb), using Hex-head Extension ST25570001 (ST25570000), Torque Wrench GG93010000 and Socket Extension ST25490000 (ST25512001). See Figure AT-69.

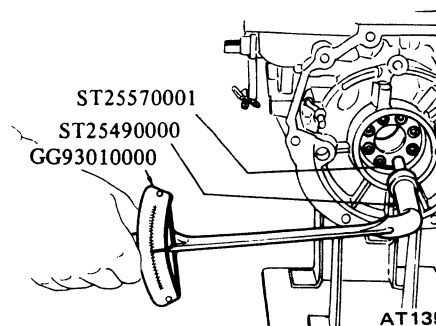


Fig. AT-69 Installing one-way clutch inner race

2. After low and reverse brake has been assembled, measure the clearance between snap ring ① and retaining plate ②. Select proper thickness of retaining plate to give correct ring to plate clearance. See Figure AT-70.

- Low and reverse brake clearance:

0.80 to 1.25 mm
(0.031 to 0.049 in)

Automatic Transmission

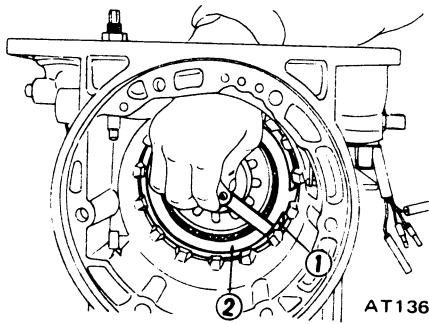


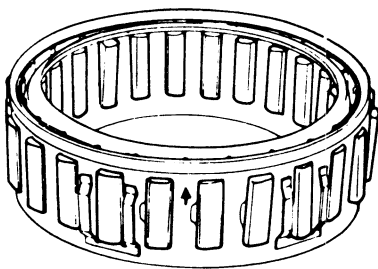
Fig. AT-70 Measuring ring to plate clearance

Available retaining plate

Thickness mm (in)
11.8 (0.465)
12.0 (0.472)
12.2 (0.480)
12.4 (0.488)
12.6 (0.496)
12.8 (0.504)

For inspection procedure for low and reverse brake, see page AT-42 for Assembly.

3. Install one-way clutch so that the arrow mark "→" is toward front of vehicle. It should be free to rotate only in clockwise direction. See Figure AT-71.



AT137

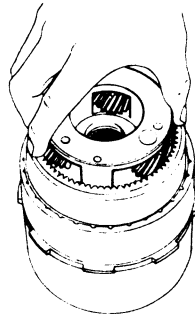
Fig. AT-71 One-way clutch

4. After installing rear extension, torque attaching bolts to 2.0 to 2.5 kg-m (14 to 18 ft-lb). Place manual lever in "P" range and check to be sure that rear output shaft is securely blocked.

5. Tighten servo retainer temporarily at this stage of assembly.

6. Place rear clutch assembly with needle bearing on front assembly.

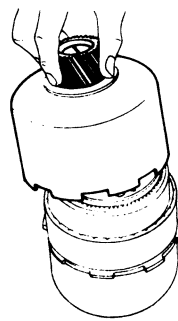
7. Install rear clutch hub and front planetary carrier as shown in Figure AT-72.



AT142

Fig. AT-72 Installing planetary carrier

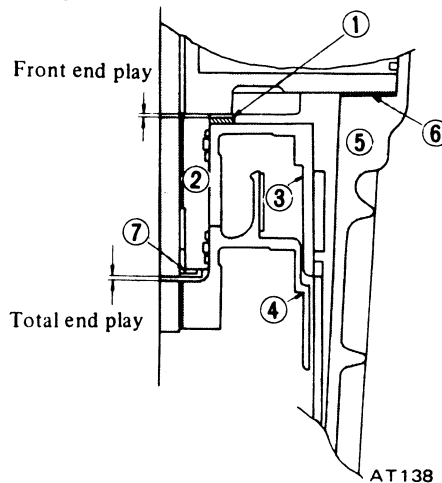
8. Assemble connecting shell and other parts up to front clutch in reverse order of disassembly.



AT143

Fig. AT-73 Installing connecting shell

9. Adjust total end play and front end play as follows:

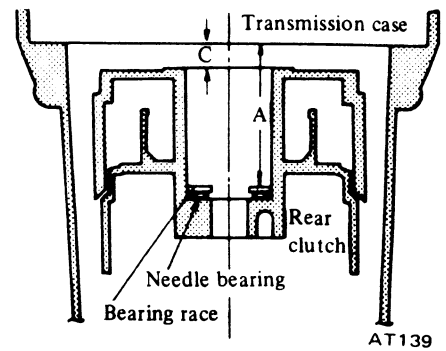


AT138

- | | |
|------------------------------|-------------------------------|
| 1 Front clutch thrust washer | 5 Transmission case |
| 2 Oil pump cover | 6 Oil pump gasket |
| 3 Front clutch | 7 Oil pump cover bearing race |
| 4 Rear clutch | |

Fig. AT-74 End play

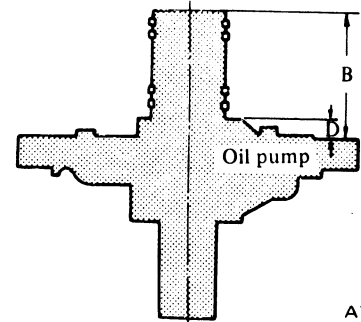
(1) Measure the distance "A" and "C" by vernier calipers as shown in Figure AT-75.



AT139

Fig. AT-75 Measuring the distance "A" and "C"

(2) Measure the distance "B" and "D" of oil pump cover as shown in Figure AT-76.



AT140

Fig. AT-76 Measuring the distance "B" and "D"

Adjustment of total end play

Select oil pump cover bearing race by calculating the following formula:

$$T_T = A - B + W$$

where,

- T_T : Required thickness of oil pump cover bearing race mm (in)
 A : Measured distance A mm (in)
 B : Measured distance B mm (in)
 W : Thickness of bearing race temporarily inserted mm (in)

Available oil pump cover bearing race

Thickness mm (in)
1.2 (0.047)
1.4 (0.055)
1.6 (0.063)
1.8 (0.071)
2.0 (0.079)
2.2 (0.087)

Specified total end play:
 0.25 to 0.50 mm
 (0.0098 to 0.0197 in)

Automatic Transmission

Adjustment of front end play

Select front clutch thrust washer by calculating the following formula:

$$T_F = C - D - 0.2 \text{ (mm)}$$

where,

- T_F : Required thickness of front clutch thrust washer mm
 C : Measured distance C mm
 D : Measured distance D mm

Available front clutch thrust washer

Thickness mm (in)
1.5 (0.059)
1.7 (0.067)
1.9 (0.075)
2.1 (0.083)
2.3 (0.091)
2.5 (0.098)
2.7 (0.106)

Specified front end play:
 0.5 to 0.8 mm
 (0.020 to 0.031 in)

Note:

- Correct thickness of bearing race and thrust washer is always the one which is nearest the calculated one.
- Installed thickness of oil pump gasket is 0.4 mm (0.016 in).

10. Check to be sure that brake servo piston moves freely. For detailed procedure, refer to page AT-42 for Servo Piston. Use care to prevent piston from coming out of place during testing since servo retainer is not tightened at this point of assembly.

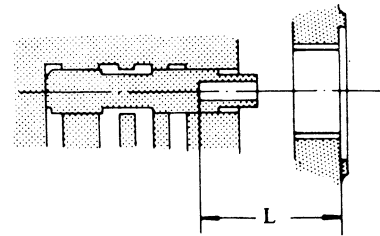
11. Make sure that brake band strut is correctly installed. Torque piston stem to 1.2 to 1.5 kg-m (9 to 11 ft-lb); back off two full turns and secure with lock nut. Lock nut tightening torque is 1.5 to 4.0 kg-m (11 to 29 ft-lb).

12. After inhibitor switch is installed, check to be sure that it operates properly in each range. For detailed procedure, refer to page AT-49 for Checking and Adjusting Inhibitor Switch.

13. Check the length "L" between case end to rod end of vacuum throttle valve fully pushed in. Then select adequate diaphragm rod of corresponding measured length. See Figure AT-77.

Available diaphragm rod

Distance measured "L" mm (in)	Diaphragm rod length mm (in)
Under 25.55 (1.0059)	29.0 (1.142)
25.65 to 26.05 (1.0098 to 1.0256)	29.5 (1.161)
26.15 to 26.55 (1.0295 to 1.0453)	30.0 (1.181)
26.65 to 27.05 (1.0492 to 1.0650)	30.5 (1.201)
Over 27.15 (1.0689)	31.0 (1.220)



AT145

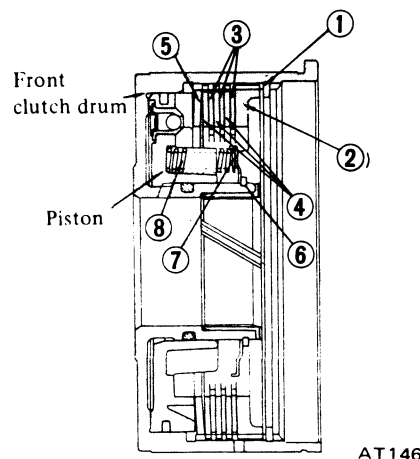
Fig. AT-77 Measuring the distance "L"

COMPONENT PARTS

The transmission consists of many small parts that are quite alike in construction yet machined to very close tolerances. When disassembling parts, be sure to place them in order in part rack so they can be restored in the unit in their proper positions. It is also very important to perform functional test whenever it is designated.

FRONT CLUTCH

Disassembly



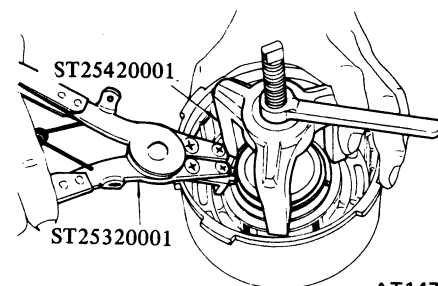
AT146

- | | |
|-------------------|-------------------|
| 1 Snap ring | 5 Dished plate |
| 2 Retaining plate | 6 Snap ring |
| 3 Drive plate | 7 Spring retainer |
| 4 Driven plate | 8 Coil spring |

Fig. AT-78 Sectional view of front clutch

1. Pry off snap ring ① with a suitable screwdriver or a pair of pliers. Remove a retaining plate ②, drive plate ③, driven plate ④ and dished plate ⑤ in the order listed, as shown in Figure AT-78.

2. Compress clutch springs, using Clutch Spring Compressor ST25420001 (or ST25420000). Remove snap ring ⑥ from spring retainer, using Snap Ring Remover ST25320001. See Figure AT-79.

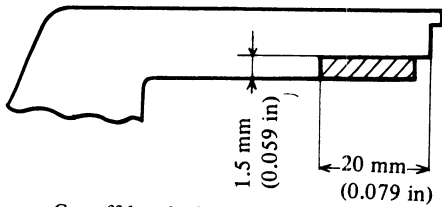


AT147

Fig. AT-79 Removing snap ring

Note: When Clutch Spring Compressor ST25420000 is to be used, cut the toe-tips of three legs by a grinding wheel. See Figure AT-80.

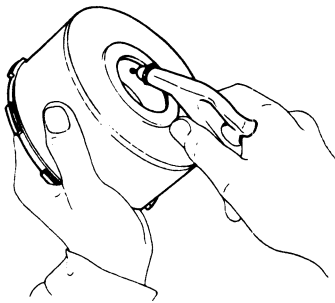
Automatic Transmission



Cut off hatched portion

Fig. AT-80 Modifying coil spring compressor

3. Take out spring retainer ⑦ and spring ⑧. See Figure AT-78.
4. Blow out piston by directing a jet of air into hole in clutch drum. See Figure AT-81.



AT149

Fig. AT-81 Blowing out piston

Inspection

1. Check for signs of wear or damage to clutch drive plate facing. If found worn or damaged excessively, discard.

Drive plate thickness:

Standard

1.5 to 1.65 mm
(0.059 to 0.065 in)

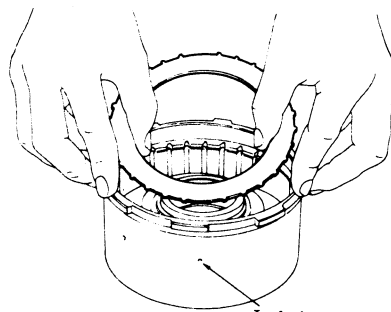
Allowable limit

1.4 mm (0.055 in)

2. Check for wear on snap ring and for weakened or broken coil spring.
If necessary, replace with new ones.
Spring retainer should also be inspected for warpage.

Assembly

1. Assembly is in reverse the order of disassembly. Dip all parts in clean automatic transmission fluid before installing.



AT150

Lubrication hole

Fig. AT-82 Inserting clutch plate

2. After clutch is assembled, make sure that clearance between snap ring ① and retaining plate ② is held within specified limits. If necessary, try with retaining plate having different thickness until correct clearance is obtained. See Figure AT-83.

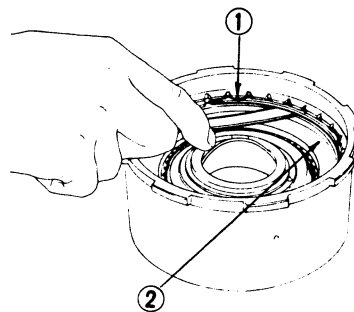
Specified clearance

1.6 to 2.8 mm

(0.063 to 0.110 in)

Available retaining plate

Thickness mm (in)
10.6 (0.417)
10.8 (0.425)
11.0 (0.433)
11.2 (0.441)
11.4 (0.449)
11.6 (0.457)

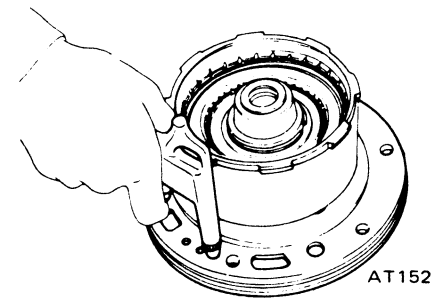


AT151

Fig. AT-83 Measuring ring to plate clearance

4. Testing front clutch

With front clutch assembled on oil pump cover, direct a jet of air into hole in clutch drum for definite clutch operation. See Figure AT-84.

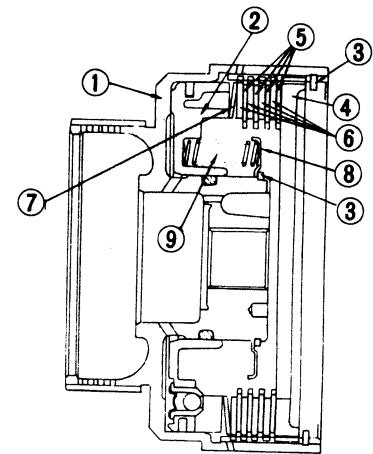


AT152

Fig. AT-84 Testing front clutch

REAR CLUTCH

Disassembly



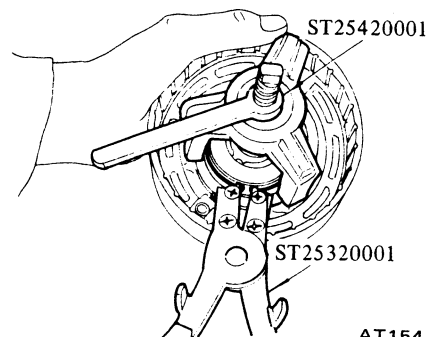
AT153

- | | |
|-----------------------|-------------------|
| 1 Rear clutch drum | 6 Driven plate |
| 2 Front clutch piston | 7 Dished plate |
| 3 Snap ring | 8 Spring retainer |
| 4 Retaining plate | 9 Coil spring |
| 5 Drive plate | |

Fig. AT-85 Sectional view of rear clutch

1. Take out snap ring ③, retaining plate ④, drive plate ⑤, driven plate ⑥ and dished plate ⑦. Same technique can be applied as in disassembling front clutch. See Figure AT-85.

2. Remove snap ring from coil spring retainer. See Figure AT-86.

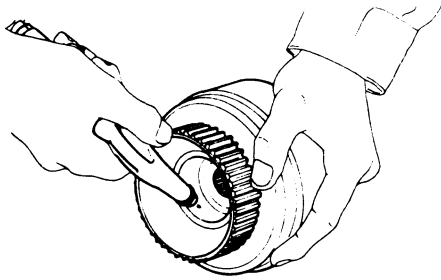


AT154

Fig. AT-86 Removing snap ring

Automatic Transmission

3. Blow out piston by directing a jet of air into hole in clutch drum. See Figure AT-87.



AT155

Fig. AT-87 Blowing out piston

Inspection

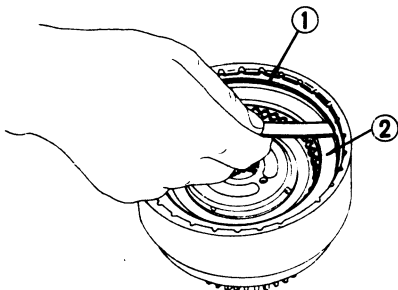
Refer to page AT-41 for Inspection of Front Clutch.

Assembly

Assemble in reverse the order of disassembly. Dip all parts in clean automatic transmission fluid before assembling. Note that the number of drive and driven plates varies with type of vehicle. For details, refer to "Service Data & Specifications".

1. After rear clutch is assembled, check to be sure that clearance between snap ring ① and retaining plate ② is held within specified clearance. See Figure AT-88.

Specified clearance:
0.8 to 1.6 mm
(0.031 to 0.063 in)



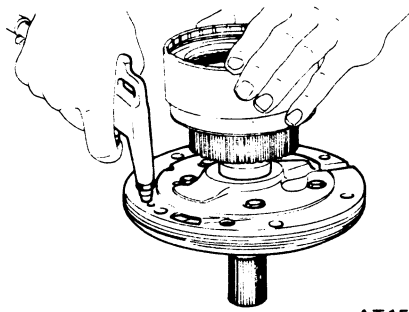
AT156

Fig. AT-88 Measuring ring to plate clearance

2. Testing rear clutch

Install rear clutch on oil pump cover.

Blow compressed air into oil hole to test for definite clutch operation as shown in Figure AT-89.



AT157

Fig. AT-89 Testing rear clutch

LOW & REVERSE BRAKE

Disassembly

1. Follow steps as described in page AT-36 for Transmission Disassembly.
2. Blow out piston by directing a jet of air into oil hole in clutch piston.

Inspection

1. Check drive plate facing for wear or damage; if necessary, replace.

Drive plate thickness:

Standard
1.9 to 2.05 mm
(0.075 to 0.081 in)

Allowable limit
1.8 mm (0.071 in)

2. Test piston return spring for weakness. Discard if weakened beyond use.
3. Replace faulty parts with new ones.

Assembly

1. After low & reverse piston is installed, assemble thrust spring ring, return spring, thrust washer and one-way clutch inner race. Using Hex-head Extension ST25570001 (ST25570000), torque hex-head slotted bolt 1.3 to 1.8 kg-m (9 to 13 ft-lb).

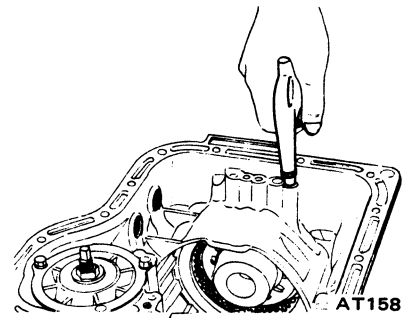
2. Insert dished plate, driven plate, drive plate and retaining plate into transmission case in that order. Install snap ring to secure the installation.

3. Without disturbing the above setting, check to be sure that clearance between snap ring and retaining plate is within specified limits. If necessary, use other plates of different thickness until correct clearance is obtained.

Specified clearance:

0.80 to 1.25 mm
(0.031 to 0.049 in)

4. Blow compressed air into oil hole in low & reverse brake to test for definite brake operation as shown in Figure AT-90.



AT158

Fig. AT-90 Testing low & reverse brake

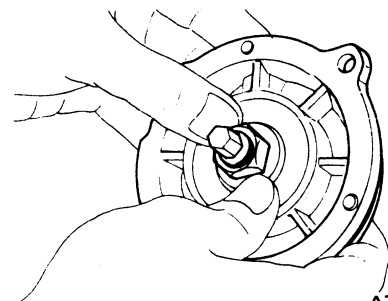
SERVO PISTON

Disassembly

1. Blow out piston by directing a jet of air into hole in release-side of piston.
2. Remove servo piston return spring.

Inspection

Check piston for wear, damage or other faults which might interfere with proper brake operation.



AT159

Fig. AT-91 Removing piston

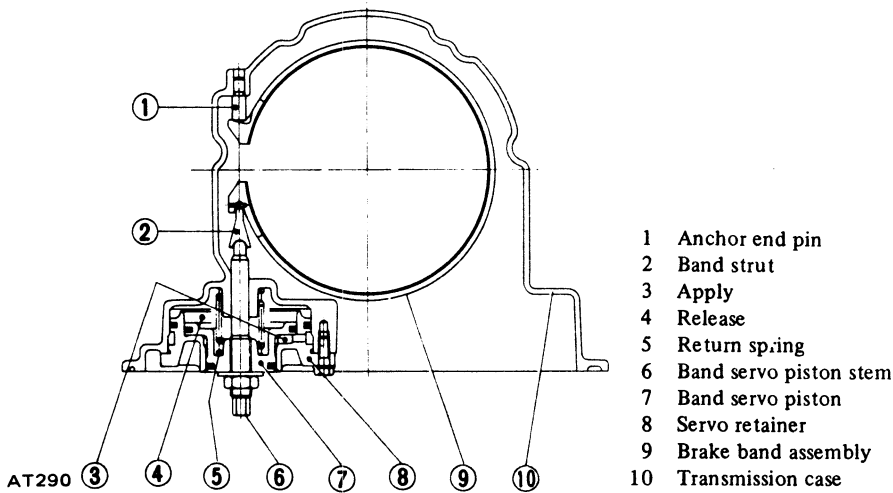


Fig. AT-92 Sectional view of servo piston

Assembly

1. Prior to assembly, dip all parts in clean automatic transmission fluid.
Reverse disassembly procedure to assemble brake.
2. Use extreme care to avoid damaging rubber ring when installing seal lace.
3. Blow compressed air from apply-side of piston to test for definite piston operation as shown in Figure AT-93.

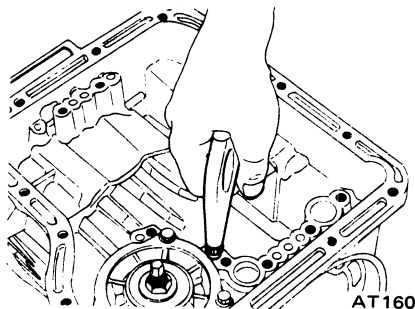


Fig. AT-93 Testing piston (Apply side)

4. With apply-side of piston plugged with thumb, blow compressed air into cylinder from release-side as shown in Figure AT-94. If retainer is raised a little, it is an indication that attaching bolts are loose, calling for retightening.

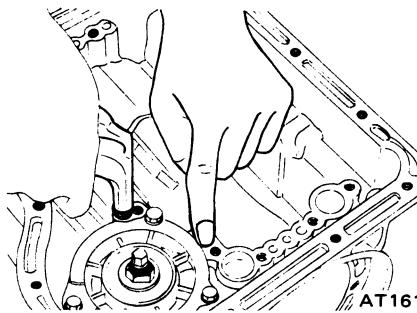


Fig. AT-94 Testing piston (Release side)

GOVERNOR

Disassembly

1. Separate governor from oil distributor by unscrewing attaching bolts.
2. To disassemble secondary governor, remove spring seat, spring and secondary governor valve from valve body in that order as shown in Figure AT-95.

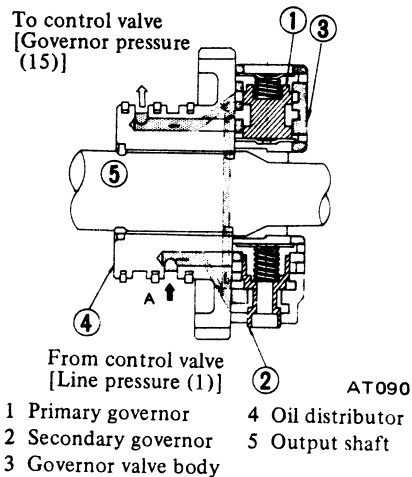


Fig. AT-95 Testing secondary governor

3. If primary governor is to be disassembled for any purpose, remove spring seat, primary governor valve, spring and spring seat.

Inspection

1. Check valve for faulty condition. Replace spring if found weakened beyond use. Faulty piston should also be replaced with a new one.
2. Examine to see if primary governor slides freely without binding.
3. To determine if secondary governor is in good condition, blow air under light pressure into hole at "A" and listen for noise like that of a model plane.

Assembly

Reverse disassembly procedure to assemble governor.

Note: Do not confuse springs. Secondary governor spring is stronger than primary governor spring. After installation, check that spring is not deflected.

OIL PUMP

Disassembly

1. Free pump cover from pump housing by removing attaching bolts.
2. Take out inner and outer gears from pump housing.

Note: Be careful not to confuse respective sides of inner and outer gears.

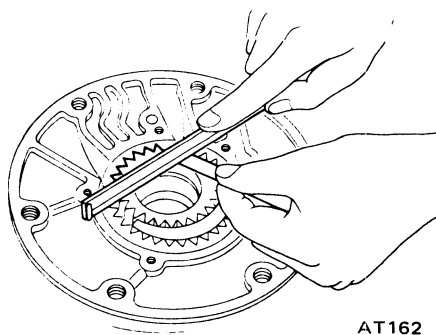
Inspection

1. Inspect for wear or damage to gear teeth. Replace rubber ring if found damaged beyond use.
2. Using a straight edge and feelers, measure pump and gear clearances as follows:

- Clearance between inner (or outer) gear and pump cover. See Figure AT-96.

Standard clearance:
0.02 to 0.04 mm
(0.001 to 0.002 in.)

[Replace if over 0.08 mm (0.003 in).]



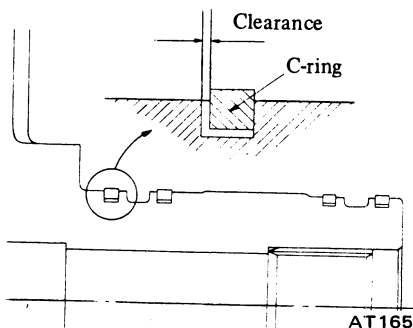
AT162

Fig. AT-96 Measuring clearance

- Clearance between seal ring and ring groove. See Figure AT-97.

Standard clearance:

0.04 to 0.16 mm
(0.002 to 0.006 in)

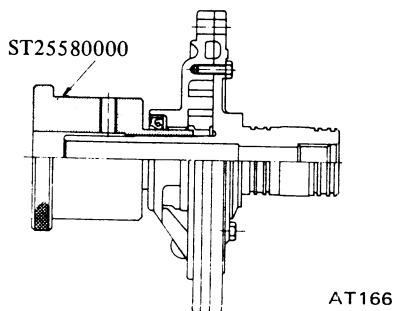


AT165

Fig. AT-97 Measuring clearance

Assembly

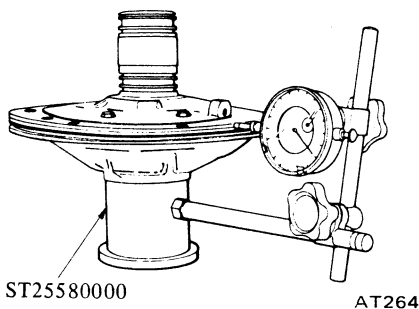
1. Set up pump housing with inner and outer pump gears on it.
2. Using Oil Pump Assembling Gauge ST25580000, install pump cover to pump housing as shown in Figure AT-98.



AT166

Fig. AT-98 Centering oil pump

3. Temporarily tighten pump securing bolts.
4. Set the runout of oil pump cover within 0.07 mm (0.0028 in) total indicator reading. See Figure AT-99.



AT264

Fig. AT-99 Measuring runout

5. Tighten pump securing bolts to specified torque 0.6 to 0.8 kg-m (4.3 to 5.8 ft-lb).

Note: Be sure to align converter housing securing bolt holes.

6. Again, check the runout of oil pump cover.

Note: When former Oil Pump Assembling Gauge is to be used, make a screw hole in side of it.

PLANETARY CARRIER

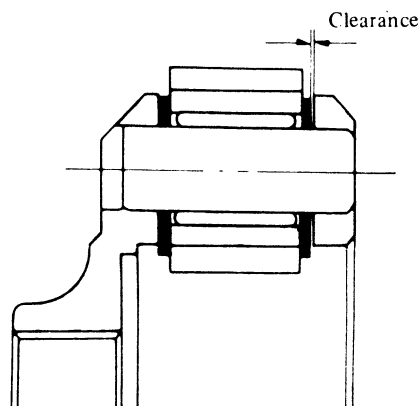
The planetary carrier cannot be divided into its individual components.

If any part of component is faulty, replace the carrier as a unit.

Inspection

Check clearance between pinion washer and planetary carrier with a feeler. See Figure AT-100.

- Standard clearance:
0.20 to 0.70 mm
(0.008 to 0.028 in)



AT167

Fig. AT-100 Measuring pinion washer to carrier clearance

[Replace if over 0.80 mm (0.0315 in).]

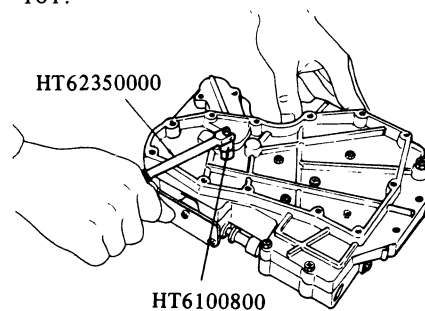
CONTROL VALVE

The control valve assembly consists of many precision parts and requires extreme care when it has to be removed and serviced. It is good practice to place parts in a part rack so that they can be reassembled in valve body in their proper positions. Added care should also be exercised to prevent springs and other small parts from being scattered and lost.

Before assembly, dip all parts in clean automatic transmission fluid and check to be certain that they are free of lint and other minute particles. If clutch or band is burnt or if oil becomes fouled, the control valve assembly should be disassembled and flushed.

Disassembly

1. Remove bolts and nuts which retain oil strainer. Bolts may be removed with a screwdriver, but it is recommended that Hexagon Wrench HT61000800 and Spinner Handle HT62350000 be used. See Figure AT-101.



AT168

Fig. AT-101 Disassembling valve body

2. Remove attaching bolts. With bolts removed, lower valve body, separate plate, and upper valve body are free for removal. See Figure AT-102.

CAUTION:

Do not allow orifice check valve and valve spring in lower valve body to be scattered and lost when removing separate plate.

Automatic Transmission

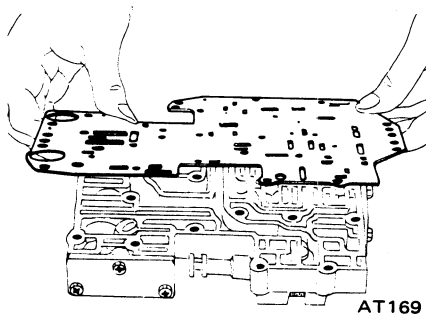
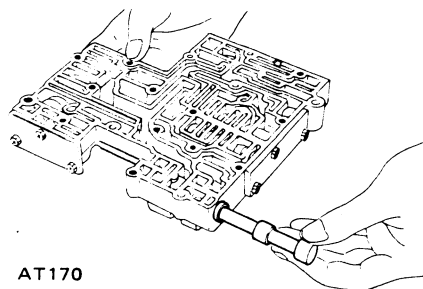


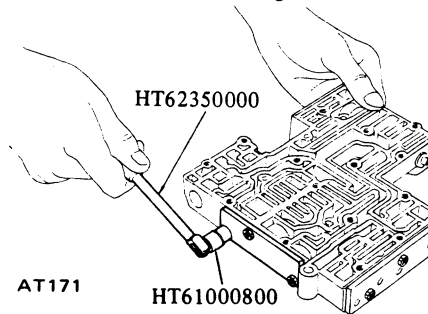
Fig. AT-102 Removing separate plate

3. Pull out manual valve as shown in Figure AT-103.
4. Remove side plate. Take out "1st-2nd" shift valve, "2nd-3rd" shift valve, pressure modifier valve and three valve springs. See Figure AT-104.



AT170

Fig. AT-103 Removing manual valve



AT171

Fig. AT-104 Removing side plate

CAUTION:
Do not work it off with screwdrivers. To avoid damaging machine screws do not work it off with screwdriver.

5. Remove side plate; pull out pressure regulator valve, second lock valve, pressure regulator plug and two valve springs.
6. Remove side plate. With side plate removed, solenoid downshift valve; throttle back-up valve, vacuum throttle valve, "2nd-3rd" timing valve and three valve springs are free for removal.

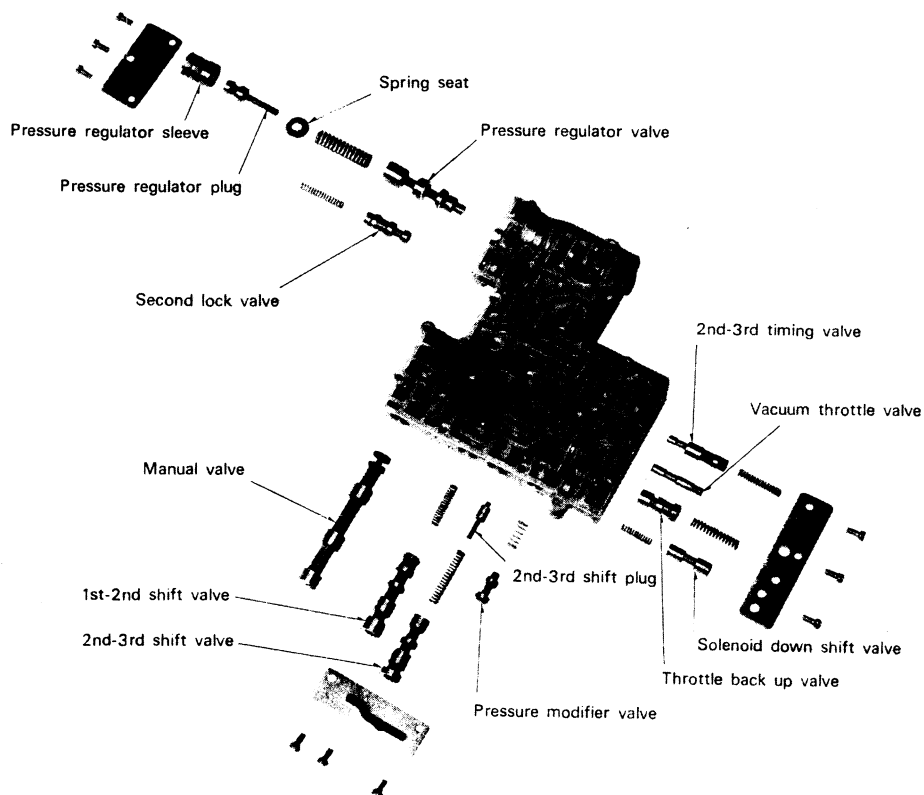


Fig. AT-105 Components parts of control valve

Inspection

1. Check valves for sign of burning and, if necessary, replace.
2. Check to be certain that oil strainer is in good condition. If found damaged in any manner, discard.
3. Test valve springs for weakened

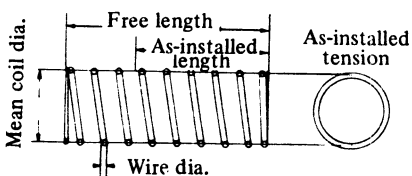
tension; if necessary replace.

4. Examine for any sign of damage or score marks on separate plate. If left unheeded, oil will bypass correct oil passages causing many types of abnormalities in the system.

5. Check oil passages in valve body for sign of damage and other conditions which might interfere with proper valve operation.
6. Check bolts for stripped threads. Replace as required.

Valve spring chart

Valve spring	Wire dia. mm (in)	Mean coil dia. mm (in)	No. of active coil	Free length mm (in)	Installed	
					Length mm (in)	Load kg (lb)
Manual detent	1.3 (0.0512)	6.0 (0.2362)	15.0	32.4 (1.276)	26.5 (1.043)	5.5 (12.1)
Pressure regulator	1.2 (0.0472)	10.5 (0.4134)	13.0	43.0 (1.693)	23.5 (0.925)	2.8 (6.2)
Pressure modifier	0.4 (0.0157)	8.0 (0.3150)	5.0	18.5 (0.728)	9.0 (0.3543)	0.1 (0.2)
1st - 2nd shift	0.6 (0.0236)	6.0 (0.2362)	16.0	32.0 (1.260)	16.0 (0.630)	0.625 (1.38)
2nd - 3rd shift	0.7 (0.0276)	6.2 (0.2441)	18.0	41.0 (1.614)	17.0 (0.669)	1.40 (3.09)
2nd - 3rd timing	0.7 (0.0276)	5.5 (0.2165)	15.0	32.5 (1.280)	27.0 (1.063)	0.55 (1.21)
Throttle back-up	0.8 (0.0315)	6.5 (0.2559)	14.0	36.0 (1.417)	18.8 (0.740)	1.92 (4.23)
Solenoid downshift	0.55 (0.0217)	5.0 (0.1969)	12.0	22.0 (0.866)	12.5 (0.492)	0.60 (1.32)
Second lock	0.55 (0.0217)	5.0 (0.1969)	16.0	33.5 (1.319)	21.0 (0.827)	0.60 (1.32)
Throttle relief	0.9 (0.0354)	5.6 (0.2205)	14.0	26.8 (1.055)	19.0 (0.748)	2.19 (4.83)
Orifice check	0.23 (0.0091)	4.77 (0.1878)	12.0	15.5 (0.610)	11.5 (0.453)	0.01 (0.02)
Primary governor	0.45 (0.0177)	8.3 (0.3268)	5.0	21.8 (0.858)	7.5 (0.2953)	0.215 (0.47)
Secondary governor	0.7 (0.0276)	8.5 (0.3346)	5.5	25.1 (0.988)	10.5 (0.413)	1.10 (2.43)



AT172

Fig. AT-106 Valve spring

Assembly

Assemble in reverse order of disassembly. However, observe the following assembly notes. Refer to "Valve Spring Chart" and illustration in assembling valve springs. Dip all parts in clean automatic transmission fluid before assembly. Tighten parts to spec-

ifications when designated.

1. Slide valve into valve body and be particularly careful that they are not forced in any way.
2. Install side plates using Torque Driver ST25160000 and Hexagon Wrench HT61000800. See Figure AT-107.

Automatic Transmission

Tightening torque:
0.25 to 0.35 kg-m
(1.8 to 2.5 ft-lb)

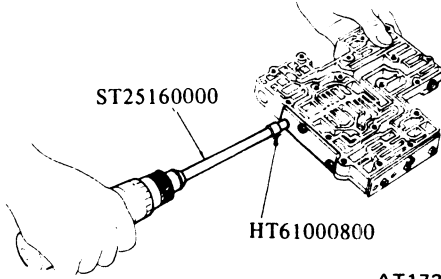


Fig. AT-107 Installing side plate

3. Install orifice check valve, valve spring, throttle relief valve spring and steel ball in valve body.

CAUTION:
Install check valve and relief spring so that they are properly positioned in valve body. See Figure AT-109.

4. Install upper and lower valves. See Figure AT-108.

Tightening torque:
0.25 to 0.35 kg-m
(1.8 to 2.5 ft-lb)

Reamer bolt tightening torque:
0.5 to 0.7 kg-m
(3.6 to 5.1 ft-lb)

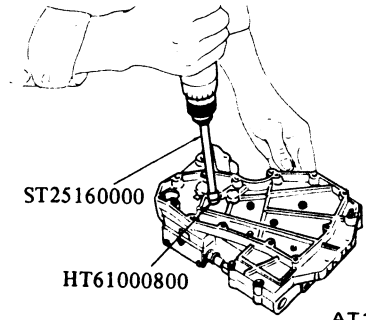
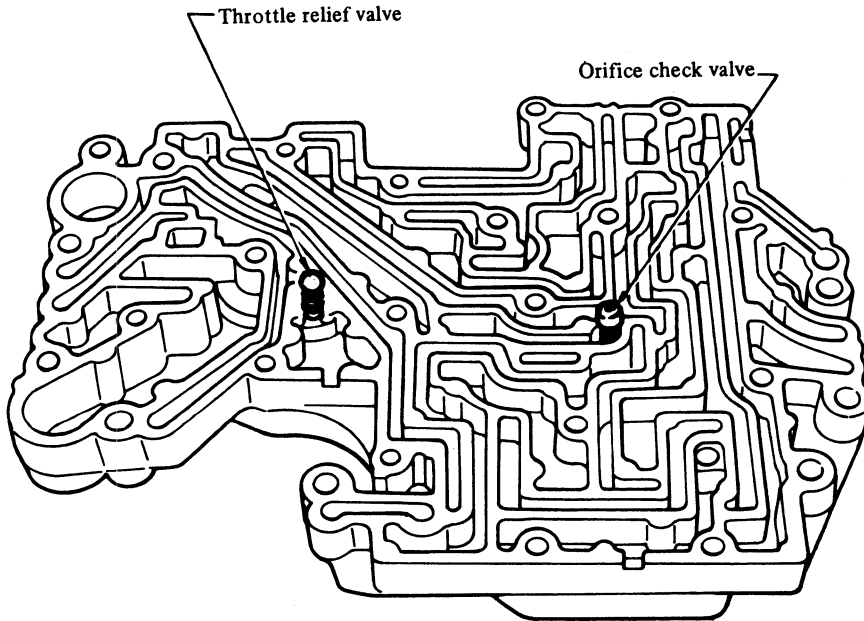


Fig. AT-108 Installing valve body

5. Install oil strainer.

Tightening torque:
0.25 to 0.35 kg-m
(1.8 to 2.5 ft-lb)



AT430

Fig. AT-109 Position of check valve and spring

TROUBLE DIAGNOSIS AND ADJUSTMENT

CONTENTS

INSPECTION AND ADJUSTMENT BEFORE TROUBLE DIAGNOSIS	AT-48	ROAD TEST	AT-51
TESTING INSTRUMENT FOR INSPECTION	AT-48	CAR SPEED AND LINE PRESSURE WHEN SHIFTING GEARS	AT-51
CHECKING OIL LEVEL	AT-48	CHECKING SPEED CHANGING CONDITION	AT-52
INSPECTION AND REPAIR OF OIL LEAKAGE	AT-49	CHECKING ITEMS DURING SPEED CHANGE	AT-52
CHECKING ENGINE IDLING REVOLUTION	AT-49	SHIFT SCHEDULE	AT-52
CHECKING AND ADJUSTING KICKDOWN SWITCH AND DOWNSHIFT SOLENOID	AT-49	LINE PRESSURE TEST	AT-52
INSPECTION AND ADJUSTMENT OF MANUAL LINKAGE	AT-49	LINE PRESSURE	AT-53
CHECKING AND ADJUSTING INHIBITOR SWITCH	AT-49	JUDGEMENT IN MEASURING LINE PRESSURE	AT-53
STALL TEST	AT-50	TROUBLE SHOOTING CHART	AT-53
STALL TEST PROCEDURES	AT-50	INSPECTING ITEMS	AT-53
JUDGEMENT	AT-50	TROUBLE SHOOTING CHART FOR 3N71B AUTOMATIC TRANSMISSION	AT-54
		TROUBLE SHOOTING GUIDE FOR 3N71B AUTOMATIC TRANSMISSION	AT-57

Since most automatic transmission troubles can be repaired by simple adjustment, do not disassemble immediately.

Firstly inspect and adjust the automatic transmission in place utilizing the "Trouble Shooting Chart".

If the trouble can not be solved by this procedure, remove and disassemble the automatic transmission. It is advisable to check, overhaul and repair each part in the order listed in the "Trouble Shooting Chart".

1. In the "Trouble Shooting Chart" the diagnosis items are arranged according to difficulty from easy to difficult, therefore please follow these items. The transmission should not be removed, unless necessary.

2. Tests and adjustments should be made on the basis of standard values and the data should be recorded.

INSPECTION AND ADJUSTMENT BEFORE TROUBLE DIAGNOSIS

TESTING INSTRUMENT FOR INSPECTION

1. Engine tachometer
2. Vacuum gauge

3. Oil pressure gauge

It is convenient to install these instruments in a way that allows measurements to be made from the driver's seat.

CHECKING OIL LEVEL

In checking the automatic transmission the oil level and the condition of oil around the oil level gauge should be examined. This is an easy and effective trouble shooting procedure since some changes in oil condition are often linked with developed troubles.

For instance:

Lack of oil causes faulty operation by making the clutches and brakes slip, resulting in severe wear.

This is because the oil pump sucks air causing oil foaming, thus rapidly deteriorating the oil quality and producing sludge and varnish.

Excessive oil is also bad because of oil foaming caused by the gears stirring up the oil. During high speed driving excessive oil in the transmission often blows out from the breather.

Measuring oil level

To check the fluid level, start the engine and run it until normal operat-

ing temperatures [oil temperature: 50 to 80°C (122 to 176°F). Approximately ten-minute of operation will raise the temperature to this range.] and engine idling conditions are stabilized. Then, apply the brakes and move the transmission shift lever through all drive positions and place it in park "P" position. In this inspection, the car must be placed on a level surface.

The amount of the oil varies with the temperature. As a rule the oil level must be measured after its temperature becomes sufficiently high.

1. Fill the oil to the line "H". The difference of capacities between both "H" and "L" is approximately 0.4 liter ($\frac{1}{8}$ U.S.pt., $\frac{3}{4}$ Imp.pt.) and, therefore, do not to fill beyond the line "H".

2. When topping-up and changing oil, care should be taken to prevent mixing the oil with dust and water.

Inspecting oil condition

The condition of oil sticking to the level gauge indicates whether to overhaul and repair the transmission or look for the faulty part.

If the oil has deteriorated to a varnish-like quality, it causes the control valve to stick. Blackened oil indicates a burned clutch, brake band, etc.

Automatic Transmission

In these cases, the transmission must be replaced.

CAUTION:

- a. In checking oil level, use special paper cloth to handle the level gauge and be careful not to let the scraps of paper and cloth stick to the gauge.
- b. Use automatic transmission fluid having "DEXRON" identifications only in the 3N71B automatic transmission.
- c. Pay attention because the oil to be used differs from that used in the Nissan Full Automatic Transmission 3N71A. Never mix the oils.

Note: Insert the gauge fully and take it out quickly before splashing oil adheres to the gauge. Then observe the level.

INSPECTION AND REPAIR OF OIL LEAKAGE

When oil leakage takes place, the portion near the leakage is covered with oil, presenting difficulty in detecting the spot. Therefore, the places where oil seals and gaskets are equipped are enumerated below:

1. Converter housing
 - Rubber ring of oil pump housing.
 - Oil seal of oil pump housing.
 - Oil seal of engine crankshaft.
 - Bolts of converter housing to case.
2. Transmission and rear extension
 - Junction of transmission and rear extension.
 - Oil cooler tube connectors.
 - Oil pan.
 - Oil-pressure inspection holes (Refer to Figure AT-113.).
 - Mounting portion of vacuum diaphragm and downshift solenoid.
 - Breather and oil charging pipe.
 - Speedometer pinion sleeve.
 - Oil seal of rear extension.

To exactly locate the place of oil leakage, proceed as follows:

- Place the vehicle in a pit, and by sampling the leaked oil, determine if it is the torque converter oil. The torque converter oil has a color like red wine, so it is easily distinguished from engine oil or gear oil.

- Wipe off the leaking oil and dust and detect the spot of oil leakage. Use nonflammable organic solvent such as carbon tetrachloride for wiping.

- Raise the oil temperature by operating the engine and shift the lever to "D" to increase the oil pressure. The spot of oil leakage will then be found more easily.

Note: As oil leakage from the breather does not take place except when running at high speed, it is impossible to locate this leakage with vehicle stationary.

CHECKING ENGINE IDLING REVOLUTION

The engine idling revolution should be properly adjusted.

If the engine revolution is too low, the engine does not operate smoothly, and if too high, a strong shock or creep develops when changing over from "N" to "D" or "R".

CHECKING AND ADJUSTING KICKDOWN SWITCH AND DOWNSHIFT SOLENOID

When the kickdown operation is not made properly or the speed changing point is too high, check the kickdown switch, downshift solenoid, and wiring between them. When the ignition key is positioned at the 1st stage and the accelerator pedal is depressed deeply, the switch contact should be closed and the solenoid should click. If it does not click, it indicates a defect. Then check each part with the testing instruments. See Figure AT-109.

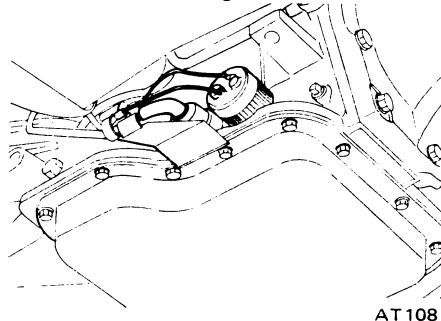


Fig. AT-110 Downshift solenoid

Note: Watch for oil leakage from transmission case.

INSPECTION AND ADJUSTMENT OF MANUAL LINKAGE

The adjustment of manual linkage is equally important as "Inspection of Oil Level" for the automatic transmission. Therefore, great care should be exercised because incorrect adjustment will result in the breakdown of the transmission.

Inspection

Pull the selector lever toward you and turn it as far as "P" to "1" range, where clicks will be felt by the hand. This is the detent of manual valve in the valve body, and indicates the correct position of the lever.

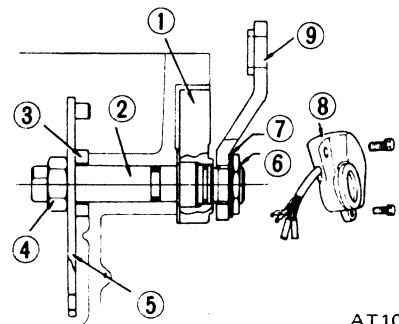
Inspect whether the pointer of selector dial corresponds to this point, and also whether the lever comes in alignment with the stepping of position plate when it is released.

Adjustment

This procedure can be accomplished by referring to page AT-35 for Removal and Installation.

CHECKING AND ADJUSTING INHIBITOR SWITCH

The inhibitor switch lights the reverse lamp in the range "R" of the transmission operation and also rotates the starter motor in the ranges "N" and "P".



- | | |
|--------------------|----------------------|
| 1 Inhibitor switch | 6 Nut |
| 2 Manual shaft | 7 Washer |
| 3 Washer | 8 Inhibitor switch |
| 4 Nut | 9 Range select lever |
| 5 Manual plate | |

Fig. AT-111 Construction of inhibitor switch

Check whether the reverse lamp and the starter motor operate normally in these ranges. If there is any trouble, first check the linkage. If no fault is found in the linkage, check the inhibitor switch.

Separate the manual lever from the remote control selector rod and turn the range select lever to "N".

Note: In the position "N" the slot of the manual shaft is vertical.

Using the tester, check the two black-yellow (BY) wires from the inhibitor switch in the ranges "N" and "P" and the two red-black (RB) wires in the range "R" for continuity. Turn range select lever in both directions from each lever set position and check each continuity range. It is normal if the electricity is on while the lever is within an angle of about 3° on both sides from each lever set line. However, if its continuity range is obviously unequal on both sides, adjustment is required.

If any malfunction is found, unscrew the fastening nut of the range selector lever and two fastening bolts of the switch body and then remove the machine screw under the switch body. Adjust the manual shaft correctly to the position "N" by means of the selector lever. (When the slot of the shaft becomes vertical, the detent works to position the shaft correctly with a clicking sound.)

Move the switch slightly aside so that the screw hole will be aligned with the pin hole of the internal rotor combined with the manual shaft and check their alignment by inserting a 1.5 mm (0.059 in) diameter pin into the holes. If the alignment is correct, fasten the switch body with the bolts, pull out the pin, tighten up the screw in the hole, and fasten the selector lever as before. Check the continuity again with the tester. If the malfunction still remains, replace the inhibitor switch.

STALL TEST

The purpose of this test is to check the transmission and engine for trouble by measuring the maximum numbers of revolutions of the engine while vehicle is held in a stalled condition.

The carburetor is in full throttle operation with the selector lever in ranges "D", "2" and "1" respectively. Compare the measured results with the standard values.

Components to be tested and test items

1. Clutches, brake and band in transmission for slipping
2. Torque converter for proper functioning
3. Engine for overall properly

STALL TEST PROCEDURES

Before testing, check the engine oil and torque converter oil; warm up the engine cooling water to suitable temperature by running at 1,200 rpm with the selector lever in the range "P" for several minutes. Warm up the torque converter oil to suitable temperature [60 to 100°C (140 to 212°F)].

1. Mount the engine tachometer at a location that allows good visibility from the driver's seat and put a mark on specified revolutions on the meter.
2. Secure the front and rear wheels with chocks and apply the hand brake. Be sure to depress the brake pedal firmly with the left foot before depressing the accelerator pedal.
3. Throw the selector lever into the range "D".
4. Slowly depress the accelerator pedal until the throttle valve is fully opened. Quickly read and record the engine revolution when the engine begins to rotate steadily and then release the accelerator pedal.
5. Shift the selector lever to "N" and operate the engine at approximately 1,200 rpm for more than one minute to cool down the torque converter oil and coolant.
6. Make similar stall tests in ranges "2", "1" and "R".

CAUTION:

The stall test operation as specified in item (4) should be made within five seconds. If it takes too long, the oil deteriorates and the clutches, brake and band are adversely affected. Sufficient cooling time should be given between each test for the four ranges "D", "2", "1" and "R".

JUDGEMENT

1. High stall revolution more than standard revolution

If the engine revolution in stall condition is higher than the standard values, it indicates that one or more clutches in the transmission are slipping and, therefore, no further test is required.

For the following abnormalities, the respective causes are presumed.

- High rpm in all ranges . . . Low line pressure
- High rpm in "D", "2" and "1" and normal rpm in "R" . . . Rear clutch slipping
- High rpm in "D" and "2" and normal rpm in "1" . . . One-way clutch slipping
- High rpm in "R" only . . . Front clutch or low and reverse brake slipping

To determine which is slipping, front clutch or low and reverse brake, a road test is needed.

If, while coasting, after starting with the lever in "1" range, engine braking does not work properly, the low and reverse brake is slipping. Otherwise, the front clutch is slipping.

Slipping of the band brake is difficult to ascertain. However, if it occurs with the lever in "2" range, engine revolution increases up to the same level as in "1st" range. It is impossible to check it in the stall test.

2. Standard stall revolution

If the engine revolution in stall condition is within the standard values, the control elements are normally operating in the ranges "D", "2", "1" and "R".

Also, the engine and one-way clutch of the torque converter are normal in performance and operation.

The one-way clutch of the torque converter, however, sometimes sticks. This is determined in the road test.

3. Lower stall revolution than standard revolution

If the engine revolution in stall condition is lower than the standard

Automatic Transmission

values, it indicates that the engine is in abnormal condition or the torque converter's one-way clutch is slipping.

4. Others

(1) If the accelerating performance is poor until vehicle speed of approximately 50 km/h (30 MPH) is attained and then normal beyond that speed, it can be judged that the torque converter's one-way clutch is slipping.

(2) If the torque converter's one-way clutch sticks, vehicle speed can not exceed approximately 80 km/h (50 MPH) in the road test. In such a case, the torque converter oil temperature rises abnormally and so special care is required.

(3) If the transmission does not operate properly at all vehicle speeds, it indicates poor engine performance.

ROAD TEST

An accurate knowledge of the automatic transmission is required for an exact diagnosis.

It is recommended that a diagnosis guide chart with the standard vehicle speeds for each stage of the up- and down-shiftings be prepared. Measured vehicle speeds are to be filled in the adjoining column after each testing.

Also it is advisable to mount a stopper for positioning the throttle opening.

CAR SPEED AND LINE PRESSURE WHEN SHIFTING GEARS

Intake manifold vacuum -mmHg (-inHg)	Gear shift	Car speed ** km/h (MPH)	Propeller shaft rpm	Line pressure kg/cm ² (psi)
0 (0) (Kickdown)	D ₁ → D ₂	54 to 60 (34 to 37)	1,970 to 2,220	5.4 to 7.0 (77 to 100)
	D ₂ → D ₃	95 to 102 (59 to 63)	3,480 to 3,730	
	D ₃ → D ₂	86 to 93 (53 to 58)	3,160 to 3,410	
	D ₂ → D ₁	40 to 47 (25 to 29)	1,470 to 1,720	
100 (3.94)	D ₁ → D ₂	20 to 27 (12 to 17)	750 to 1,000	4.5 to 6.1 (64 to 87)
	D ₁ → D ₃	60 to 67 (37 to 42)	2,210 to 2,460	
	D ₃ → D ₂	37 to 44 (23 to 27)	1,350 to 1,600	
	D ₂ → D ₁	9.5 to 16 (6 to 10)	350 to 600	
0 (0) (Full throttle)	1 ₂ → 1 ₁ *	41 to 44 (25 to 27)	1,500 to 1,750	5.6 to 7.2 (80 to 102)
300 (11.81)	1 ₂ → 1 ₁ *	41 to 44 (25 to 27)	1,500 to 1,750	5.6 to 7.2 (80 to 102)

* : Reduce the speed by shifting to "1" range from "D" range (output shaft 2,000 rpm).

Note: Car speed can be calculated by the following formula;

$$V = \frac{2 \times \pi \times r \times N_p \times 60}{R_F \times 1,000}$$

where,

V = Car speed (km/h)

N_p = Propeller shaft revolution (rpm)

R_F = Final gear ratio

r = Tire effective radius (m)

π = The ratio of circumference of a circle to its diameter: 3.14

** : R_F = 3.700

r = 0.267 m [175/70 HR 13]

CHECKING SPEED**CHANGING CONDITION**

The driver's feeling during gear changes should also be checked attentively.

1. A sharp shock or unsmoothness is felt during a gear change.

This indicates that the throttle pressure is too high or some valve connected to the throttle is faulty.

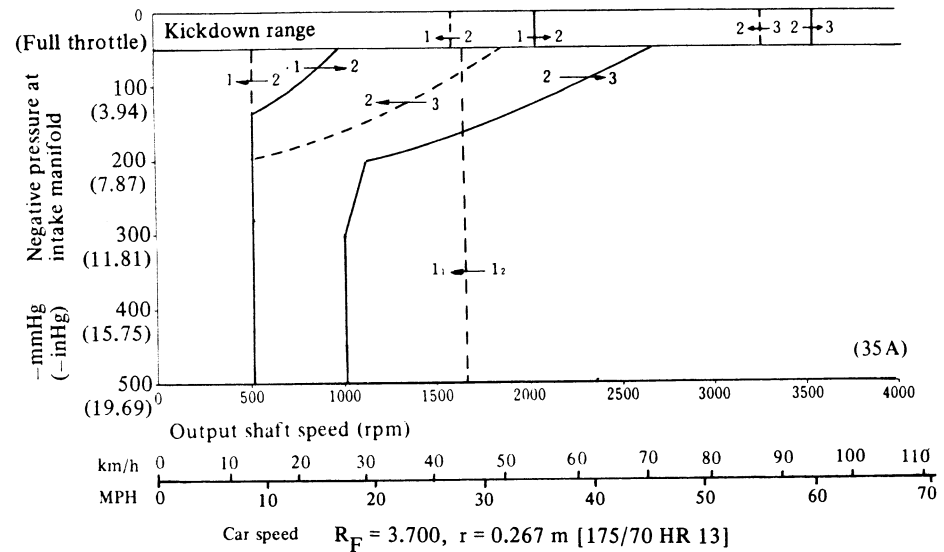
2. A gear change is made with a long and dragging feeling.

This indicates that the throttle pressure is too low or some valve connected to the throttle is faulty.

CHECKING ITEMS DURING SPEED CHANGE

1. In "D" range, gear changes, $D_1 \rightarrow D_2 \rightarrow D_3$ are effected. In "R" range, the speed does not increase.
2. The kickdown operates properly.
3. By moving the lever from "D" to "1", gear changes $D_3 \rightarrow 2(1_2) \rightarrow 1_1$ are effected. In the ranges "1₂" and "1₁", the engine braking works properly.
4. In "1", the speed does not increase.
5. Should be quickly fixed at "2" range.
6. In "P", vehicle can be parked properly.

If any malfunction occurs in second gear during the road test, that is, if vehicle shakes, drags or slings while shifting up from "D₁", directly to "D₃" or in shifting up from "D₁" to "D₂", the brake band should be adjusted. If these troubles remain after the brake band is adjusted, check the servo piston seal for oil leakage.

SHIFT SCHEDULE

AT110

Fig. AT-112 Shift schedule

LINE PRESSURE TEST

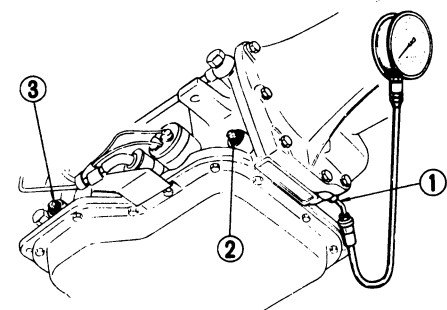
When any slipping occurs in clutch or brake, or the feeling during a speed change is not correct, the line pressure must be checked.

Measuring line pressure is done by a pressure gauge attached to two pressure measuring holes after removing blind plugs located at transmission case. See Figure AT-113.

The line pressure measurement is begun at idling and taken step by step by enlarging the throttle opening.

The line pressure at gear shift is shown in Road Test.

1. A sharp shock in up-shifting or too high changing speeds are caused mostly by too high throttle pressure.
2. Slipping or incapability of operation is mostly due to oil pressure leakage within the gear trains or spool valve.



AT113

- 1 Line pressure
- 2 Governor pressure
- 3 Servo release pressure

Fig. AT-113 Measuring line pressure

LINE PRESSURE

At idling

Range	Line pressure kg/cm ² (psi)
R	4.2 to 5.6 (60 to 80)
D	3.2 to 3.8 (46 to 54)
2	6.0 to 11.7 (85 to 166)
1	3.2 to 3.8 (46 to 54)

At stall test

Range	Line pressure kg/cm ² (psi)
R	14.3 to 16.2 (203 to 230)
D	9.9 to 11.1 (141 to 158)
2	10.2 to 11.7 (145 to 166)
1	9.9 to 11.1 (141 to 158)

JUDGEMENT IN MEASURING LINE PRESSURE

1. Low idling line pressure in the ranges "D", "2", "1", "R" and "P".

This can be attributed to trouble in the pressure supply system or too low output of power caused by:

- (1) A worn oil pump
- (2) An oil pressure leak in the oil pump, valve body or case
- (3) A sticking regulator valve

2. Low idling, line pressure in certain ranges only

This is presumably caused by an oil leak in the devices or circuits connected to the relevant ranges.

- (1) When there is an oil leak in the rear clutch and governor, the line pressure in "D", "2" and "1" are low but the pressure is normal in "R".
- (2) When an oil leak occurs in the low and reverse brake circuit, the line pressure in "R" and "P" are low but the pressure is normal in "D", "2" and "1".

3. High idling line pressure

This is presumably caused by an increased vacuum throttle pressure owing to a leak in the vacuum tube or diaphragm or by an increased line

pressure due to a sticking regulator valve.

Vacuum leakage is checked by directly measuring the negative pressure after removing the vacuum pipe.

A puncture of the vacuum diaphragm can be easily ascertained because the torque converter oil is absorbed into the engine and the exhaust pipe emits white smoke.

4. Items to be checked when the line pressure is increasing

In this check, the line pressure should be measured with vacuums of 300 mmHg (11.81 inHg) and 0 mmHg (0 inHg) in accordance with the stall test procedure.

- (1) If the line pressure do not increase despite the vacuum decrease, check whether the vacuum rod is incorporated.
- (2) If the line pressure do not meet the standard, it is caused mostly by a sticking pressure regulating valve, pressure regulating valve plug, or amplifier.

TROUBLE-SHOOTING CHART

INSPECTING ITEMS

1. Inspection with automatic transmission on vehicle.

- A Oil level
 - B Range select linkage
 - C Inhibitor switch and wiring
 - D Vacuum diaphragm and piping
 - E Downshift solenoid, kickdown switch and wiring
 - F Engine idling rpm
 - G Oil pressure (throttle)
 - H Engine stall rpm
 - I Rear lubrication
 - J Control valve (manual)
 - K Governor valve
 - L Band servo
 - M Transmission air check
 - N Oil quantity
 - O Ignition switch and starter motor
 - P Engine adjustment and brake inspection
2. Inspection after inspecting automatic transmission on vehicle.
- m Rear clutch
 - n Front clutch
 - q Band brake
 - r Low and reverse brake
 - s Oil pump
 - t Leakage of oil passage
 - u One-way clutch of troque converter
 - v One-way clutch of transmission
 - w Front clutch check ball
 - x Parking linkage
 - y Planetary gear

Automatic Transmission

TROUBLE-SHOOTING CHART FOR 3N71B AUTOMATIC TRANSMISSION

(The number shown below indicates the sequence in which the checks should be taken up.)

Trouble	A B C D	E F G H	I J K L	M N O P	m n q r	s t u v	w x y
Engine does not start in "N", "P" ranges.	. 2 3 1
Engine starts in other range than "N" and "P".	. 1 2
Sharp shock in shifting from "N" to "D" range.	. . . 2	. 1 3 .	. 4	⑤
Vehicle will not run in "D" range (but runs in "2", "1" and "R" ranges).	. 1 2 .	. 3 ④
Vehicle will not run in "D", "1", "2" ranges (but runs in "R" range). Clutch slips. Very poor acceleration.	1 2 4 .	. 5 . .	6 3 . 7	⑧ ⑨
Vehicle will not run in "R" range (but runs in "D", "2" and "1" ranges). Clutch slips. Very poor acceleration.	1 2 3 .	. 5 . .	6 4 . .	⑨⑧ . ⑦	. ⑩	⑪
Vehicle will not run in any range.	1 2 3 .	. 5 . .	6 4	⑦⑧ ⑨
Clutches or brakes slip somewhat in starting.	1 2 . 6	. . 3 .	. 5 . .	7 4	⑧⑨
Vehicle runs in "N" range.	. 1 3 . .	. 2 . .	④
Maximum speed not attained. Acceleration poor.	1 2 4 5	. 7 . 6	. 3 . 8	⑪⑫⑨⑩	⑬
Vehicle braked by throwing lever into "R" range. 3	2 1 . .	④ . ⑤ ⑥
Excessive creep. 1
No creep at all.	1 2 . .	. 3 . .	. 5 . .	. 4 . .	⑧⑨	⑥⑦
Failure to change gear from "2nd" to "3rd".	. 1 . 2	3 5 6 8	7 4 ⑨ .	. ⑩
Failure to change gear from "1st" to "2nd".	. 1 . 2	3 5 6 8	7 4 . .	. ⑨ ⑩	⑪
Too high a gear change point from "1st" to "2nd", from "2nd" to "3rd".	. . . 1	2 . 3 .	. 5 6 .	. 4 ⑦
Gear change directly from "1st" to "3rd" occurs. 2 4 .	3 1 ⑤ .	. ⑥

Automatic Transmission

Trouble	A B C D	E F G H	I J K L	M N O P	m n q r	s t u v	w x y
Too sharp a shock in change from "1st" to "2nd".	. . . 1	. . . 2	. 4 . 5	. 3 ⑥
Too sharp a shock in change from "2nd" to "3rd".	. . . 1	2 . 3 .	. 3 . 5	4 ⑥
Almost no shock or clutches slipping in change from "1st" to "2nd".	1 2 . 3	. . 4 .	. 6 . 8	7 5 ⑨ .	. ⑩
Almost no shock or slipping in change from "2nd" to "3rd". Engine races extremely.	1 2 . 3	. . 4 .	. 6 . 8	7 5 . .	. ⑨ . .	. ⑩ . .	⑪ . .
Vehicle braked by gear change from "1st" to "2nd". 2 . .	. 1 . .	. ④ . ③	. . . ⑤
Vehicle braked by gear change from "2nd" to "3rd". 3 . 2	. 1 ④
Failure to change gear from "3rd" to "2nd".	. . . 1 3 4 6	5 2 . .	. ⑦ ⑧ .	. ⑨
Failure to change gear from "2nd" to "1st" or from "3rd" to "1st".	. . . 1 3 4 6	5 2 ⑦ ⑧
Gear change shock felt during deceleration by releasing accelerator pedal.	. 1 . 2	3 . 4 .	. 5 6 ⑦
Too high a change point from "3rd" to "2nd", from "2nd" to "1st".	. 1 . 2	3 . 4 .	. 5 6 ⑦
Kickdown does not operate when depressing pedal in "3rd" within kickdown vehicle speed.	. . . 2	1 4 5 .	. 3 ⑥ .	. ⑦
Kickdown operates or engine over-runs when depressing pedal in "3rd" beyond kickdown vehicle speed limit.	. 1 . 2	. . 3 .	. 5 6 .	7 4 . .	. ⑧ . .	. ⑨
Races extremely or slips in changing from "3rd" to "2nd" when depressing pedal.	. . . 1	. . 2 .	. 4 . 6	5 3 . .	. ⑦ ⑧ .	. ⑨ . .	⑩ . .
Failure to change from "3rd" to "2nd" when changing lever into "2" range.	. 1 2 .	. 4 . 5	. 3 ⑥ .	. ⑦
Gear change from "2nd" to "1st" or from "2nd" to "3rd" in "2" range.	. 1 2 .	. 3

Automatic Transmission

Trouble	A B C D	E F G H	I J K L	M N O P	m n q r	s t u v	w x y
No shock at change from "1" to "2" range or engine races extremely.	1 2 . 3	. 4 . 1	. 6 . .	7 5 ⑨ .	⑩
Failure to change from "3rd" to "2nd" when shifting lever into "1" range.	. 1 2 .	. 4 5 7	6 3 . .	. ⑧ ⑨ .	. ⑩
Engine brake does not operate in "1" range.	. 1 2 .	. 4 . .	5 3 ⑥	. ⑦
Gear change from "1st" to "2nd" or from "2nd" to "3rd" in "1" range.	. 1 2 ③
Does not change from "2nd" to "1st" in "1" range.	1 2 4 5 6	7 3 ⑧	. ⑨
Large shock changing from "2nd" to "1st" in "1" range.	. . . 1 2	. 4 . .	. 3 ⑤
Vehicle moves when changing into "P" range or parking gear does not disengage when shifted out of "P" range.	. 1 ② .
Transmission overheats.	1 3 4	2 6 . 8	7 5 . .	. ⑨ ⑩ ⑪	⑫ ⑬ ⑭ .	. . ⑮
Oil shoots out during operation. White smoke emitted from exhaust pipe during operation.	1 . . 3	. . 5 6	2 7 . .	8 4 . .	. ⑨ ⑩ ⑪	⑫ ⑬ ⑭ .	. . ⑮
Offensive smell at oil charging pipe.	1 2 . .	③ ④ ⑤ ⑥	⑦ ⑧ ⑨ .	. . ⑩
Transmission noise in "P" and "N" ranges.	1 2	③
Transmission noise in "D", "2", "1" and "R" ranges.	1 2	③ . . .	④ . . ⑤	. . ⑥

Automatic Transmission

TROUBLE-SHOOTING GUIDE FOR 3N71B AUTOMATIC TRANSMISSION

Order	Test item	Procedure
Checking	<ol style="list-style-type: none"> 1. Oil level gauge 2. Downshift solenoid 3. Manual linkage 4. Inhibitor switch 5. Engine idling rpm. 6. Vacuum pressure of vacuum pipe. 7. Operation in each range. 8. Creep of vehicle. 	<p>Check gauge for oil level and leakage before and after each test.</p> <p>Check for sound of operating solenoid when depressing accelerator pedal fully with ignition key "ON".</p> <p>Check by shifting into "P", "R", "N", "D", "2" and "1" ranges with selector lever.</p> <p>Check whether starter operates in "N" and "P" ranges only and whether reverse lamp operates in "R" range only.</p> <p>Check whether idling rpm meet standard.</p> <p>Check whether vacuum pressure is more than 450 mmHg in idling and whether it decreases with increasing rpm.</p> <p>Check whether transmission engages positively by shifting "N" → "D", "N" → "2", "N" → "1" and "N" → "R" range while idling with brake applied.</p> <p>Check whether there is any creep in "D", "2", "1" and "R" ranges.</p>
Stall test	<ol style="list-style-type: none"> 1. Oil pressure before testing. 2. Stall test. 3. Oil pressure after testing 	<p>Measure line pressures in "D", "2", "1" and "R" range while idling.</p> <p>Measure engine rpm and line pressure in "D", "2", "1" and "R" ranges during full throttle operation.</p> <p>Notes:</p> <ol style="list-style-type: none"> a. Temperature of torque converter oil used in test should be from 60° to 100°C (140° to 212°F) i.e., sufficiently warmed up but not overheated. b. To cool oil between each stall test for "D", "2", "1" and "R" ranges, idle engine, i.e., rpm at about 1,200 rpm for more than 1 minute in "P" range. Measurement time must not be more than 5 seconds. <p>Same as item 1.</p>
Road test	<ol style="list-style-type: none"> 1. Slow acceleration, 1st → 2nd 2nd → 3rd 2. Quick acceleration, 1st → 2nd 2nd → 3rd 3. Kick-down operation, 3rd → 2nd or 2nd → 1st 	<p>Check vehicle speeds and engine rpm in shifting up 1st → 2nd range and 2nd → 3rd range while running with lever in "D" range and engine vacuum pressure of about 200 mmHg.</p> <p>Same as item 1 above except with engine vacuum pressure of 0 mmHg (i.e., in position just before kickdown.).</p> <p>Check whether the kickdown operates and measure the time delays while running at 30, 40, 50, 60, 70 km/h (19, 25, 31, 38, 44 MPH) in "D₃" range.</p>

Automatic Transmission

Order	Test item	Procedure
	<p>4. Shift down, D₃→D₂→D₁</p> <p>5. Shift down, D₃→1₂→1₁</p> <p>6. Shift down, D₃→2</p> <p>7. Shift up, 1₁→1₂</p> <p>8. Shift up or down when starting in "2" range.</p> <p>9. Parking.</p>	<p>Check vehicle speeds and engine rpm in shifting down from 3rd → 2nd → 1st (sequentially) while coasting with accelerator pedal released in "D₃" range and engine vacuum pressure of about 450 mmHg (17.72 inHg).</p> <p>Check for shifting down D₃ →1₂ and engine braking, and further for shifting down 1₂→1₁ and engine braking, after shifting the lever into "1" range with the accelerator pedal released and the engine vacuum pressure of 0 mmHg while driving at about 50 km/h (31 MPH) in "D₃" range.</p> <p>Check for quick shifting down D₃ →2 and engine braking, after shifting the lever into "2" range while driving at about 50 km/h (31 MPH) in "D₃" range. Further, check for locking of the transmission in 2nd gear ratio regardless of vehicle speed.</p> <p>Check for failure of the transmission to shift up during acceleration, when starting in "1" range.</p> <p>Check the transmission for not shifting up or down during acceleration or deceleration, when starting in "2" range.</p> <p>Confirm that vehicle will not move on grade when shifting to "P" range.</p>
Others	Abnormal shock, oil leakage.	Enter into record conditions observed during these tests such as gear noise, abnormal clutch noise and acceleration performance.

SERVICE DATA AND SPECIFICATIONS

GENERAL SPECIFICATIONS

Model	3N71B
Torque converter	
Type	Symmetrical 3-element 1-stage 2-phase torque converter
Stall torque ratio	2.0 : 1
Transmission	
Type	3-speed forward and one-speed reverse with planetary gear train
Control elements:	
Multiple-disc clutch	2
Band brake	1
Multiple-disc brake	1
One-way clutch	1
Gear ratio:	
1st	2.458
2nd	1.458
3rd	1.000
Reverse	2.182
Selector positions:	
P (Park)	Transmission is placed in neutral. Output shaft is fixed. Engine can be started.
R (Reverse)	Backward running
N (Neutral)	Transmission is in neutral. Engine can be started.
D (Drive)	Up- or downshifts automatically to and from 1st, 2nd, and top
2 (2nd lock)	Fixed at 2nd
1 (Lock up)	Fixed at low or downshifts from 2nd
Oil pump	
Type	Internally intermeshing involute gear pump
Number of pump	1
Oil	Automatic transmission fluid "DEXRON" type
Capacity	5.5 liters (5 $\frac{1}{8}$ US qt, 4 $\frac{1}{8}$ Imp qt) Approximately 2.7 liters (2 $\frac{1}{8}$ US qt, 2 $\frac{1}{8}$ Imp qt) in torque converter
Hydraulic control system	Controlled by measuring the negative pressure of intake manifold and the revolution of output shaft.

Automatic Transmission

Lubrication system	Forced lubrication by an oil pump
Cooling system	Water-cooled by a circulation-type auxiliary cooler (located at the radiator).

SPECIFICATIONS AND ADJUSTMENT

Automatic transmission assembly

Model code number	X2461
-------------------------	-------

Torque converter assembly

Stamped mark on the T/C	16-B
-------------------------------	------

Front clutch

Number of drive plates	3
Number of driven plates	3
Clearance mm (in)	1.6 to 2.0 (0.063 to 0.079)
Thickness of retaining plate mm (in)	10.6 (0.417) 10.8 (0.425) 11.0 (0.433) 11.2 (0.441) 11.4 (0.449) 11.6 (0.457)

Rear clutch

Number of drive plates	4
Number of driven plates	4
Clearance mm (in)	0.8 to 1.6 (0.031 to 0.063)
Thickness of retaining plate mm (in)	4.8 (0.189)

Low & reverse brake

Number of drive plates	4
Number of driven plates	4
Clearance mm (in)	0.80 to 1.25 (0.031 to 0.049)
Thickness of retaining plate mm (in)	11.8 (0.465) 12.0 (0.472) 12.2 (0.480) 12.4 (0.488) 12.6 (0.496) 12.8 (0.504)

Brake band

Piston size mm (in)	
Big diameter	64 (2.52)
Small diameter	40 (1.57)

Control valve assembly

Stamped mark on strainer	LEJ
--------------------------------	-----

Governor assembly

Stamped mark on governor body	35
-------------------------------------	----

Automatic Transmission

Engine idling and stall revolution

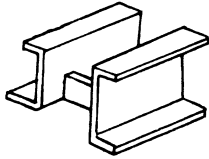
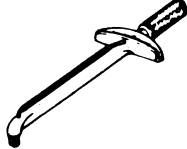
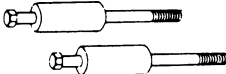
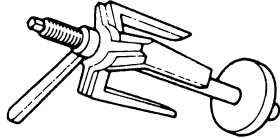
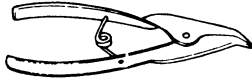
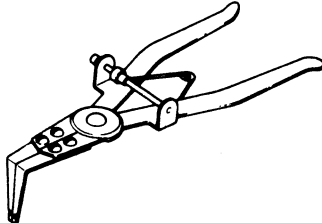
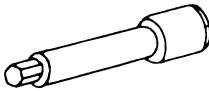
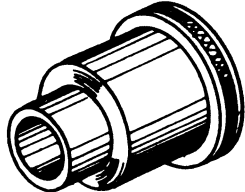
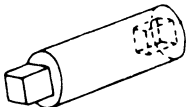
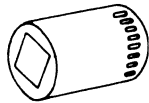
Idling revolution	rpm	600 at "D" position
Stall revolution	rpm	1,900 to 2,200

TIGHTENING TORQUE

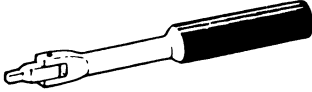
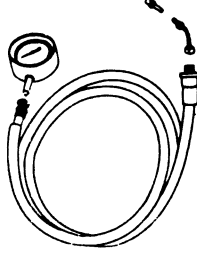

	kg-m (ft-lb)
Drive plate to crankshaft	14.0 to 16.0 (101 to 116)
Drive plate to torque converter	4.0 to 5.0 (29 to 36)
Converter housing to engine	4.0 to 5.0 (29 to 36)
Transmission case to converter housing	4.5 to 5.5 (33 to 40)
Transmission case to rear extension	2.0 to 2.5 (14 to 18)
Oil pan to transmission case	0.5 to 0.7 (3.6 to 5.1)
Servo piston retainer to transmission case	0.5 to 0.7 (3.6 to 5.1)
Piston stem (when adjusting band brake)	*1.2 to 1.5 (9 to 11)
Piston stem lock nut	1.5 to 4.0 (11 to 29)
One-way clutch inner race to transmission case	1.3 to 1.8 (9 to 13)
Control valve body to transmission case	0.55 to 0.75 (4.0 to 5.4)
Lower valve body to upper valve body	0.25 to 0.35 (1.8 to 2.5)
Side plate to control valve body	0.25 to 0.35 (1.8 to 2.5)
Nut for control valve reamer bolt	0.5 to 0.7 (3.6 to 5.1)
Oil strainer to lower valve body	0.25 to 0.35 (1.8 to 2.5)
Governor valve body to oil distributor	0.5 to 0.7 (3.6 to 5.1)
Oil pump housing to oil pump cover	0.6 to 0.8 (4.3 to 5.8)
Inhibitor switch to transmission case	0.5 to 0.7 (3.6 to 5.1)
Manual shaft lock nut	3.0 to 4.0 (22 to 29)
Oil cooler pipe to transmission case	3.0 to 5.0 (22 to 36)
Test plug (oil pressure inspection hole)	1.4 to 2.1 (10 to 15)
Support actuator (parking rod inserting position) to rear extension	0.8 to 1.1 (5.8 to 8.0)
Oil charging pipe to case	0.55 to 0.75 (4.0 to 5.4)
Dust cover to converter housing	0.55 to 0.75 (4.0 to 5.4)
Selector range lever to manual shaft	3.0 to 4.0 (22 to 29)

* Turn back two turns after tightening.

SPECIAL SERVICE TOOLS

Tool number & tool name	Kent-Moore No.	Tool number & tool name	Kent-Moore No.
	Reference page or Fig. No.		Reference page or Fig. No.
ST07870000 Transmission case stand (ST07860000)	J 25607 Fig. AT-52	GG93010000 Torque wrench	J 25703 Fig. AT-69
			
ST25850000 Sliding hammer	J 25721 Fig. AT-56	ST25420001 Clutch spring compressor (ST25420000)	J 26063 Fig. AT-79 Fig. AT-86
			
HT69860000 Snap ring remover	— Fig. AT-59	ST25320001 Snap ring remover	J25710 Fig. AT-79 Fig. AT-86
			
ST25570001 Hex-head extension (ST25570000)	J 25718 Fig. AT-64	ST25580000 Oil pump assembling gauge	J 25719 Fig. AT-98
			
ST25490000 Socket extension (ST25512001)	J 25713 Fig. AT-69	HT61000800 Hexagon wrench	— Fig. AT-101 Fig. AT-104
			

Automatic Transmission

Tool number & tool name	Kent-Moore No.	Tool number & tool name	Kent-Moore No.
	Reference page or Fig. No.		Reference page or Fig. No.
HT62350000 Spinner handle 	— Fig. AT-101 Fig. AT-104	ST2505S001 Oil pressure gauge set 	J 25695 Fig. AT-113
ST25160000 Torque driver 	— Fig. AT-107 Fig. AT-108		