

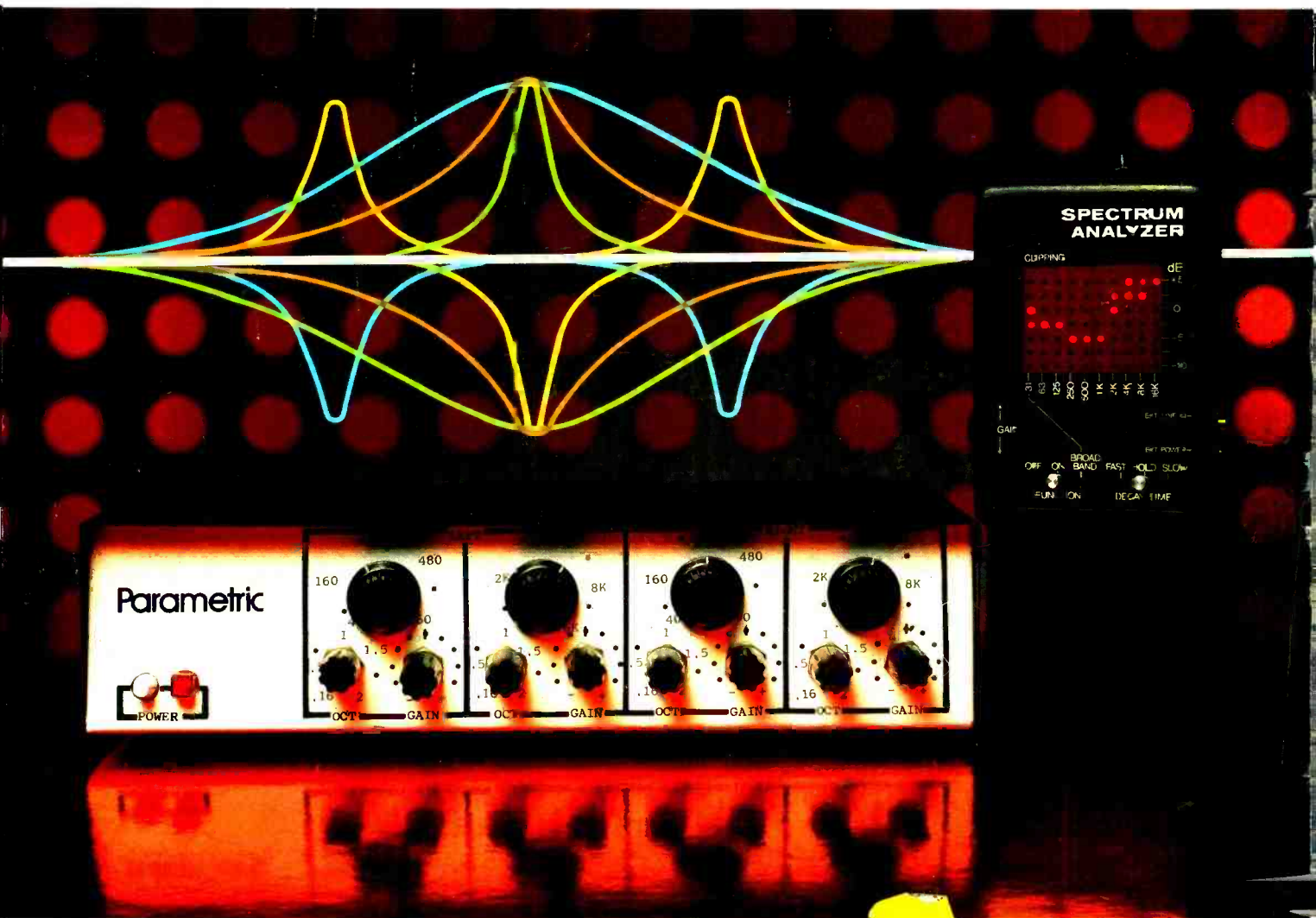
Popular Electronics®

WORLD'S LARGEST-SELLING ELECTRONICS MAGAZINE SEPTEMBER 1979/\$1.25

A Monostable Catalog for Experimenters
Simple Computer Control Interfaces

Audio Focus:

- Digital Audio • Parametric Equalizer & LED Spectrum Analyzer Construction Plans



60
09700 0140 26322198 XRX 969099
Popular Electronics

Optonica SA-5901 AM/FM Stereo Receiver
Aiwa AD-6900 Cassette Deck
Ohm I Speaker System



COMPUTER SHOP

How to buy a personal computer.

In California, a store owner charts sales on his Apple Computer. On weekends though, he totes Apple home to help plan family finances with his wife. And for the kids to explore the new world of personal computers.

A hobbyist in Michigan starts a local Apple Computer Club, to challenge other members to computer games of skill and to trade programs.

Innovative folks everywhere have discovered that the era of the personal computer has already begun — with Apple.

Educators and students use Apple in the classroom. Businessmen trust Apple with the books. Parents are making Apple the newest family pastime. And kids of all ages are learning how much fun computers can be.

Visit your local computer store

The excitement starts in your local computer store. It's

CIRCLE NO. 8 ON FREE INFORMATION CARD

a friendly place, owned by one of your neighbors. He'll show you exactly what you can use a personal computer for.

What to look for

Your neighborhood computer store has several different brands to show you. Chances are the salesman will recommend an Apple Computer. Apple's the one you can program yourself. So there's no limit to the things you can do. The more you use your Apple the more uses you'll discover. So it's important that Apple is the computer with more expansion capability. You can't outgrow Apple.

It's your move

Grab a piece of the future for yourself — we'll give you the address of the Apple dealer nearest you when you call our toll-free number. Then drop by and sink your teeth into an Apple.

(800) 538-9696.

In California,

(800) 662-9238.





Micro TV Breakthrough

Remember the \$400 Sinclair Micro TV? Here's the story on the greatest TV value ever.

That Sinclair TV shown above is small—the smallest TV in the world.

And when it was first introduced last year, it made history. So did its high price—\$395.

Our company never sold the unit for two reasons: 1) It was being promoted as a pocket TV and we felt it would not fit in most pockets and 2) We felt \$395 was too high a price for the unit regardless of its quality, size and features.

But we were wrong. Thousands of them were sold and it was selected as one of the most exciting new products of the year.

WE BOUGHT ONE

A few months ago we purchased a Sinclair TV and discovered another feature we didn't like. The unit included a 220-volt converter for European operation. This meant that every American who bought the set had to pay extra for the converter even though very few Americans would be taking their TV to Europe.

So we came up with an idea. We went to England and purchased thousands of sets directly from the factory without the converter. We were also able to save money by eliminating the normal mark ups by importers, wholesalers and distributors.

We can now offer you the unit for only \$249.95 and if you want the 220-volt converter, your cost is only \$19.95 extra.

LESS THAN WHOLESALE

JS&A would be offering the exact same Sinclair TV at a price less than Sinclair's actual wholesale price in the United States and we would still make enough profit to pay for the cost of this advertisement.

There is one feature we liked very much about the set. Its rechargeable batteries are built into the unit. Larger portable TV's offer \$60 optional rechargeable battery packs that must be purchased separately. Ours is built in and included in the price.

The Sinclair TV comes complete with an American AC adapter and charger, ear phones, carrying case, rechargeable batteries and a built-in antenna for both VHF and UHF. It

also comes with a cigarette lighter power converter, so you can watch all your favorite TV channels from your boat, plane, motor home or car without even using your batteries.

PHOTOGRAPHIC QUALITY

We were well aware of Sinclair's advanced electronics and quality features. But what we found particularly exciting was its picture tube. Even though the 2" (measured diagonally) tube is small, the TV's resolution resembles that of a clear sharp photograph. You can even read small telephone numbers when they're flashed on the screen.



The Sinclair unit is offered in this advertisement with the same accessories available in the \$395 system with the exception of the 220-volt power converter.

The Sinclair is also convenient. You can take it on trips and entertain your children while you fly or drive. You can keep it on your desk at work and monitor the latest news or stock market reports. And you can view the soap operas as you work around the house. We even took ours to the ball game to watch those instant replays.

BIG POCKETS

But don't expect to carry it in your pocket—it won't fit unless you have big pockets. The unit measures 1 5/8" x 4" x 6 1/4" and weighs just 28 ounces which includes the built-in batteries.

The TV is serviced in the United States by Sinclair's service-by-mail facility. If service is ever required during its one-year limited warranty, just slip it in its handy mailer and send it to them for repair. Your solid-state unit should operate for years without a problem, but if it ever needs repair, it's good to know that service is an important part of our program.

For \$249.95, the Sinclair Micro TV is worth your test. Order one from JS&A. Take it with you on a trip, bring it to your office, or carry it with you around the house. See how clear and sharp the picture is and how closely it resembles a black and white photograph. Then decide if you want to keep it. If not, no problem. Simply return your TV within 30 days for a prompt and courteous refund. We just want you to prove to yourself, the miracle of space-age electronics before you decide.

AMERICA'S LARGEST

Sinclair Radionics is one of England's largest electronics manufacturers and JS&A is America's largest single source of space-age products—further assurance that your modest investment is well protected even though the unit is offered at such a bargain price.

To order your Sinclair Micro TV, simply send your check for \$249.95 plus \$3.00 postage and handling (Illinois residents, please add 5% sales tax) to the address shown below or credit card buyers may call our toll-free number below. But please act quickly.

The Sinclair TV is an outstanding product that was priced too high. If you felt like we did and you waited, your timing is perfect. Order a Sinclair Micro TV at no obligation, today.

JS&A PRODUCTS THAT THINK

Dept. PE One JS&A Plaza
Northbrook, Ill. 60062 (312) 564-7000
Call TOLL-FREE 800 323-6400
In Illinois Call (312) 564-7000

© JS&A Group, Inc., 1979

WHEN THE GOING GETS TOUGH, BECKMAN'S NEW DIGITAL MULTIMETERS KEEP GOING.



Featuring new continuity function.

If you've ever been troubled by a faulty multimeter—or had to use one that wasn't quite up to the tougher jobs—your troubles are over. Now there's the Beckman line of digital multimeters. A new generation of 3½-digit models that combine superior reliability with highly versatile features.

Features like a unique continuity test function. With Beckman's new Insta-Ohms™ quick continuity indicator, you no longer need an analog VOM for fast, convenient continuity checks.

There's also 10-amp current ranges, in-circuit resistance measurement capability in all six-ohm ranges, a dedicated diode test function, and up to two years normal operation from a common 9V battery.

The Model TECH 310 with all these features,

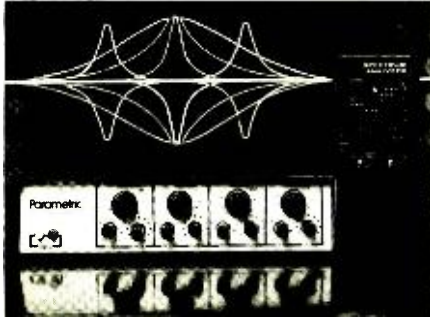
7 functions, 29 ranges, and 0.25% Vdc accuracy is only \$130.

The Model TECH 300 with 0.5% Vdc accuracy, but without the continuity function or the 10-amp current ranges, is just \$100.

Whichever model you choose, you get a multimeter that won't let you down. There's exceptional overload and 6kV transient protection, plus ruggedness to take a 6-foot fall and to come up working.

So get the Beckman digital multimeter that performs and keeps on performing. No matter how tough the going gets. For information on the complete line and accessories, write or call your local distributor or the Advanced Electro-Products Division, Beckman Instruments, Inc., 2500 Harbor Boulevard, Fullerton, CA 92634, (714) 871-4848, ext. 3651.

BECKMAN



About the cover:

The parametric equalizer and the spectrum analyzer are both valuable audio tools in setting up your audio system and listening area.

Cover photo by Justin Kerr

Special Focus on Audio

- A CLOSE LOOK AT DIGITAL AUDIO/** *Harold A. Rodgers & Leslie Solomon* _____ 39
Digital technology gives a new dimension to audio reproduction.
- TAILOR THE SOUND OF YOUR AUDIO SYSTEM WITH THIS STEREO PARAMETRIC EQUALIZER/** *John H. Roberts* _____ 47
Low-cost, two-band unit for home or car.
- BUILD A HAND-HELD LED SPECTRUM ANALYZER/** *John Pfeiffer & William Eppler* _____ 62
Real-time octave analyzer has ten bands for a number of audio uses.

Feature Articles

- A MONOSTABLE CATALOG FOR EXPERIMENTERS/** *Clement S. Pepper* _____ 69
Guide to characteristics and uses of IC multivibrators.
- WHO'S ON THOSE OTHER FREQUENCIES?/** *Robert B. Grove* _____ 84
A breakdown of transmissions, by frequency, on the public service bands.
- THREE-DIMENSIONAL RESISTOR QUIZ/** *Gary W. Seaver* _____ 88

Construction Articles

- MAKE YOUR COMPUTER WORK AS A CONTROL CENTER/** *Cass R. Lewart* _____ 80
Simple circuits permit a variety of external operations.
- BUILD A SMART SWITCH/** *Richard Fermoye* _____ 82
Solid-state wall switch "remembers" to turn off switch if you forget.

Columns

- STEREO SCENE/** *Harold A. Rodgers* _____ 14
Giving the System a Fighting Chance
- EXPERIMENTER'S CORNER/** *Forrest M. Mims* _____ 89
Missing-Pulse Detectors.
- DX LISTENING/** *Glenn Hauser* _____ 92
A Survey of DX Programs.
- COMPUTER BITS/** *Hal Chamberlin* _____ 98
Digital Magnetic Recording.
- SOFTWARE SOURCES/** *Leslie Solomon* _____ 101
- PROJECT OF THE MONTH/** *Forrest M. Mims* _____ 102
Tri-State LED Demonstrator

Julian Hirsch Audio Reports

- OPTONICA MODEL SA-5901 AM/FM STEREO RECEIVER** _____ 23
- AIWA MODEL AD-6900 CASSETTE DECK** _____ 28
- OHM I SPEAKER SYSTEM** _____ 31

Electronic Product Test Report

- B&K PRECISION MODEL DP50 DIGITAL PROBE** _____ 97

Departments

- EDITORIAL/** *Art Salsberg* _____ 4
Everything's Coming Up Computers.
- LETTERS** _____ 6
- NEW PRODUCTS** _____ 8
- NEW LITERATURE** _____ 13
- OPERATION ASSIST** _____ 117
- ADVERTISERS INDEX** _____ 121
- PERSONAL ELECTRONICS NEWS** _____ 122

JOSEPH E. MESICS
Publisher

ARTHUR P. SALSBERG
Editorial Director

LESLIE SOLOMON
Technical Director

JOHN J. McVEIGH
Technical Editor

JOHN R. RIGGS
Managing Editor

HAROLD A. RODGERS
Senior Editor

ALEXANDER W. BURAWA
Features Editor

EDWARD I. BUXBAUM
Art Director

ANDRE DUZANT
Technical Illustrator

CARMEN VELAZQUEZ
Production Editor

BETTY LOUISE KNOWLES
Editorial Assistant

Contributing Editors
Hal Chamberlin, Lou Garner, Glenn Hauser
Julian Hirsch, Forrest Mims

JEFF NEWMAN
Assistant to the Editor

LINDA BLUM
Advertising Service Manager

MARIE MAESTRI
Executive Assistant

EDGAR W. HOPPER
Publishing Director

POPULAR ELECTRONICS (ISSN 0032-4485) Published monthly by Ziff-Davis Publishing Company, at One Park Avenue, New York, NY 10016. Philip B. Korsant, President, Selwyn Taubman, Treasurer, Philip Sine, Secretary. One year subscription, U.S. and Possessions, \$13.00; Canada, \$16.00; all other countries, \$18.00, cash orders only, payable in U.S. currency. COPYRIGHT © BY ZIFF-DAVIS PUBLISHING COMPANY. ALL RIGHTS RESERVED.

ZIFF-DAVIS PUBLISHING COMPANY
Editorial and Executive Offices
One Park Avenue, New York, New York 10016
212-725-3500

Joseph E. Mesics (725-3568)
John J. Corton (725-3578)

Bonnie B. Kaiser, Eastern Adv. Mgr., (725-3580)

Midwestern Office
Ted Welch

Suite 1400, 180 N. Michigan Ave.,
Chicago, IL 60601 (312-346-2600)

Western Office
9025 Wilshire Boulevard, Beverly Hills, CA 90211
213-273-8050;

Western Representative: Norm Schindler
7050 Owensmouth Ave., #209
Canoga Park, CA 91303 (213-999-1414)

Japan: James Yagi, Oji Palace Aoyama;
6-25, Minami Aoyama, 6 Chome, Minato-Ku,
Tokyo, 407-1930/6821, 582-2851

ZIFF-DAVIS PUBLISHING COMPANY
Philip B. Korsant, President

Furman Hebb, Executive Vice President
Phillip T. Heffernan, Sr. Vice President
Edward D. Muhlfeld, Sr. Vice President
Philip Sine, Sr. Vice President, Secretary
Lawrence Sporn, Vice President, Circulation and Marketing
Richard Friese, Sr. Vice President
Baird Davis, Vice President, Production
George Morrissey, Vice President
Sydney H. Rogers, Vice President
Sidney Holtz, Vice President
Albert S. Traina, Vice President
Paul H. Chook, Vice President
Edgar W. Hopper, Vice President
Robert N. Bavier, Jr., Vice President
Selwyn Taubman, Treasurer

W. Bradford Briggs, Vice Chairman

ZIFF CORPORATION
William Ziff, Chairman
I. Martin Pompadur, President
Hershel B. Sarbin, Executive Vice President

POPULAR ELECTRONICS, September 1979, Volume 16, Number 3. Published monthly at One Park Avenue, New York, NY 10016. One year subscription rate for U.S. and Possessions, \$13.00; Canada, \$16.00; all other countries, \$18.00 (cash orders only, payable in U.S. currency). Second Class postage paid at New York, NY and at additional mailing offices. Authorized as second class mail by the Post Office Department, Ottawa, Canada, and for payment of postage in cash.

POPULAR ELECTRONICS including ELECTRONICS WORLD, Trade Mark Registered. Indexed in the Reader's Guide to Periodical Literature.

COPYRIGHT © 1979 BY ZIFF-DAVIS PUBLISHING COMPANY. ALL RIGHTS RESERVED.

Ziff-Davis also publishes Boating, Car and Driver, Cycle, Flying, Popular Photography, Skiing, Stereo Review, Electronic Experimenter's Handbook, Tape Recording & Buying Guide, Stereo Directory & Buying Guide, and Communications Handbook.

Material in this publication may not be reproduced in any form without permission. Requests for permission should be directed to Jerry Schneider, Rights and Permissions, Ziff-Davis Publishing Co., One Park Ave., New York, NY 10016.

Editorial correspondence: POPULAR ELECTRONICS, 1 Park Ave., New York, NY 10016. Editorial contributions must be accompanied by return postage and will be handled with reasonable care; however, publisher assumes no responsibility for return or safety of manuscripts, art work, or models.

Forms 3579 and all subscription correspondence: POPULAR ELECTRONICS, Circulation Dept., P.O. Box 2774, Boulder, CO 80302. Please allow at least eight weeks for change of address. Include your old address, enclosing, if possible, an address label from a recent issue.

The publisher has no knowledge of any proprietary rights which will be violated by the making or using of any items disclosed in this issue.



Member Audit Bureau
of Circulations



Editorial

EVERYTHING'S COMING UP COMPUTERS!

News about computers and computer applications continues to engulf us. Just this morning, for example, I saw a TV news program concerning an MIT graduate student who developed a computer system to analyze the cries of babies. According to the researcher, the computer can distinguish between sounds that point to serious problems and those that are simply normal baby outpourings.

A few weeks earlier, I read a news release on a commercial computerized portrait system that's said to be the first *full-color* one on the market for reproducing a person's face on a T-shirt, tote bag, etc. (It's from Computer Ideas Inc, Raynham, MA.) Then I read about a nationwide information utility for personal-computer owners. With a 300-words/minute telephone interface, anyone can gain access to the system, called SOURCE (from Telecomputing Corp. of America in McLean, VA), by paying a one-time \$100 registration charge. Thereafter, the network can be used via a local phone call at \$2.75/hour. There are said to be more than 2,000 programs and data bases, ranging from games such as Star Trek to world and local news, business applications packages, a major subset of the New York Times Information Bank, airline schedules, and more.

At general electronics trade shows, too, I continually bump into new personal computer offerings. Recently, for instance, Texas Instruments unveiled its new TI-99/4 home computer, which comes with a 13-inch color video monitor, and uses ROM plug-in modules for program input. Ohio Scientific demonstrated its new C8P-DF, featuring an "on line" home controller that turns lights and appliances on and off, dims and brightens lamps, interfaces with a home security system, and has optional voice I/O and telephone interface systems. Commodore displayed its CBM business computer; Atari its Models 400 and 800 personal computer systems; Exidy its word processing and education systems; APF its MP1000 "Imagination Machine," which has color graphics; and Interact its Model One Benchmark, a "no-frills" version of its regular model.

Other avenues are used to reach media, too. Radio Shack, for instance, introduced its TRS-80 Model II small-business system at a press meeting. Its video monitor has a built-in floppy. And Heath's latest catalog features a new all-in-one personal computer (kit and assembled versions) that also has a built-in floppy disk.

Added to the foregoing are press releases about books on computers, software, peripherals, and a host of products that tout the word "computer" owing to the use of a microprocessor.

Viewing all this action, it's no wonder that computer specialists make up the second largest group of scientists in the United States. Given the enormous interest and projected growth in computers, it will surely be the premier science group at a near-future time.

Art Salsberg

Don't take our word for it.

"We can heartily recommend the Superboard II computer system for the beginner who wants to get into microcomputers with a minimum of cost. Moreover, this is a 'real' computer with full expandability."

Popular Electronics March, 1979

"(Their) new Challenger 1P weighs in at \$349 and provides a remarkable amount of computing for this incredible price."

Kilobaud Microcomputing February, 1979

"Over the past four years we have taken delivery on over 25 computer systems. Only two have worked totally glitch free and without adjustment as they came out of the carton: The Tektronic 4051 (at \$7,000 the most expensive computer we tested) and the Ohio Scientific Superboard II (at \$279 the least expensive) . . . The Superboard II and companion C1P deserve your serious consideration."

Creative Computing January, 1979

"The Superboard II and its fully dressed companion the Challenger 1P series incorporate all the fundamental necessities of a personal computer at a very attractive price. With the expansion capabilities provided, this series becomes a very formidable competitor in the home computer area."

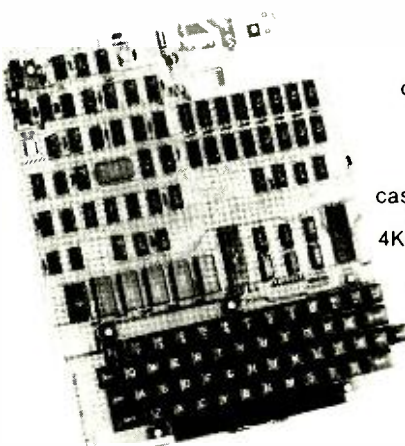
Interface Age April, 1979

"The graphics available permit some really dramatic effects and are relatively simple to program . . . The fact that the system can be easily expanded to include a floppy means that while you are starting out with a low-cost minimal system, you don't have to throw it away when you are ready to go on to more complex computer functions. Everything is there that you need; you simply build on to what you already have. You don't have to worry about trading off existing equipment to get the system that will really do what you want it to do. At \$279, Superboard II is a tough act to follow."

Radio Electronics June, 1979

"The Superboard II is an excellent choice for the personal computer enthusiast on a budget."

Byte May, 1979



SUPERBOARD II **\$279.00**

The world's first complete computer system on a board including full keyboard, video display, audio cassette interface, 8K BASIC-in-ROM and 4K RAM. Expandable. Requires +5V at 3 amp power supply.



C1P \$349.00

Complete with enclosure and power supply. All features of Superboard II. Easy to expand to more memory and floppy disk.

C1P MF \$995.00
The first floppy disk based computer system the world has ever seen for under \$1,000. 8K BASIC-in-ROM, 12K RAM. Expandable to 32K RAM.



OHIO SCIENTIFIC

1333 S. CHILLICOTHE RD., AURORA, OHIO 44202 (216) 562-3101

SEPTEMBER 1979

See your Ohio Scientific dealer for full details.

CIRCLE NO. 45 ON FREE INFORMATION CARD



Letters

555 DUTY CYCLES

I feel that Brian Walmann was slightly over-enthusiastic in his criticism of 555 timer duty

cycles (June 1979). While the formula given by TI is a misprint and clearly incorrect, Signetics' $R_B/(R_A + 2R_B)$ formula is actually correct. Unfortunately, a misprint in Mr. Walmann's article quotes Signetics incorrectly to further confuse the issue. The point is that duty cycle can be defined by either $R_B/(R_A + 2R_B)$ or $1 - R_B/(R_A + 2R_B)$, which is equal to $(R_A + R_B)/(R_A + 2R_B)$, so that both Signetics and Mr. Walmann are correct, depending on whether you define duty cycle as the high or low state.—Barry Bodhaine, Boulder, CO.

ON UNSUNG INVENTORS

Your Editorial on individual achievements

in electronics in the July 1979 issue was tremendously uplifting to me. When we can say that a device is the product of the genius of a certain man working today, either alone or with resources granted to him by a modern corporation, we are making a very valuable statement about the true nature of Mankind. It is right to honor these real men.—Zack T. Hinckley, Rockledge, FL.

Thank you for your round of applause in your "Unsung Electronics Inventors" Editorial. However, I would like to set the record straight in that I have never been with National Semiconductor. Upon leaving Fairchild, I helped to found Intel Corporation, where I have been ever since and presently hold the position of Vice Chairman.

In response to your request to learn of new developers who are unrecognized, I submit the name of Ted Hoff, who invented the first microcomputer. We feel this invention has been a major contribution to the state of the art and would like to see Dr. Hoff receive some of the recognition he deserves.—Robert N. Noyce, Intel Corp., Santa Clara, CA.

Your Editorial on unsung inventors noted the wrong company affiliation for the inventor of the 555 timer, Hans Camenzind. Signetics Corp. contracted him for this work, not National Semiconductor.—Robert Frosthalm, Signetics Corp., Sunnyvale, CA.

With reference to your July 1979 Editorial and the Bearcat scanner ads in the same issue, I think it is just great to be able to punch some buttons and have a radio receiver come up on frequency. Thanks to another unsung electronics inventor, James Murray (Radio Division, Naval Research Laboratory, Washington, DC), this is all possible. Mr. Murray invented the pushbutton frequency synthesizer in the early 1950s, and Hewlett-Packard developed it to make its Model 5100 synthesizer.—L. C. Harlow, San Diego, CA.

Out of Tune

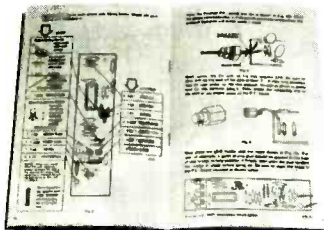
"Controlling DC Power With Pulse-Width Modulation" (June 1979). In Fig. 2, a connection between pins 2 and 6 of IC1 was omitted.

"Poor Man's Servant" (July 1979). While it appears in the schematic diagram, C2 is not mentioned in the Parts List. Also, the project will draw as much as 500 mA (with the specified relay) when it is triggered, rather than the stated 100 mA. Therefore, a good choice of power supply would be one rated at 5 volts and 1 ampere. Finally, take note that some suppliers are using the term "sound trigger" to describe the VOX module.

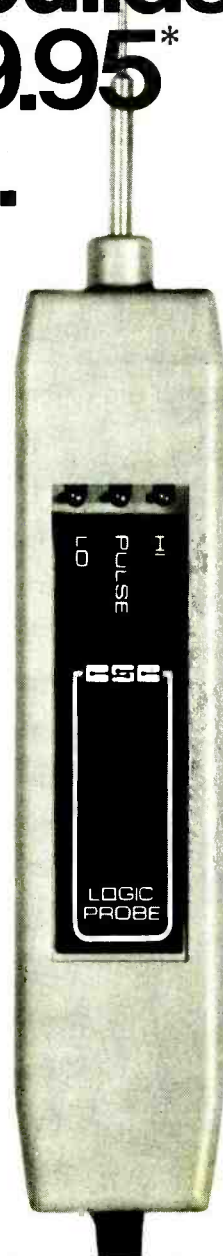
"Build In-Circuit Transistor Tester for \$10" (July 1979). A jumper between pin 12 of IC2 and the ground pad next to pin 9 was omitted from Fig. 2.

Guess who builds this great \$19.95* Logic Probe.

You. With this easy-to-build Logic Probe Kit from CSC and just a few hours of easy assembly—thanks to our very descriptive step-by-step manual—you have a full performance logic probe. With it, the logic level in a digital circuit translates into light from the Hi or Lo LED; pulses as narrow as 300 nanoseconds are stretched into blinks of the Pulse LED, triggered from either leading edge. You'll be able to probe deeper into logic with the LPK-1, one of the smarter tools from CSC.



Complete, easy-to-follow instructions help make this a one-night project.



CONTINENTAL SPECIALTIES CORPORATION

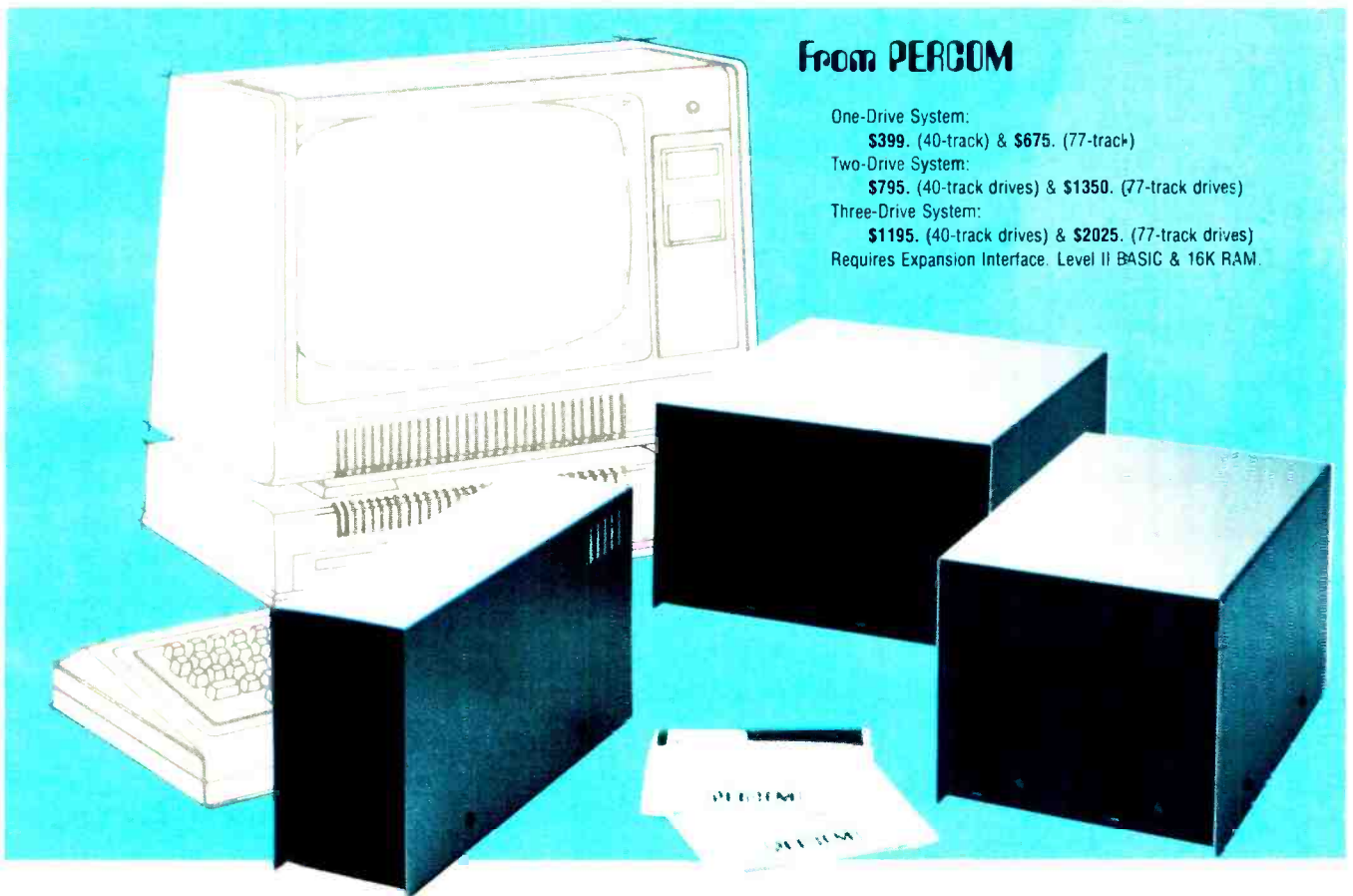


70 Fulton Terr., New Haven, CT 06509 (203) 624-3103, TWX 710-465-1227
OTHER OFFICES: San Francisco (415) 421-8872, TWX 910-372-7992
Europe: CSC UK LTD, Phone Saffron-Walden 0799-21682, TLX 817477
Canada: Len Finkler Ltd., Ontario

Call toll-free for details
1-800-243-6077

*Suggested U.S. resale. Available at selected local distributors.
Prices, specifications subject to change without notice.
© Copyright 1979 Continental Specialties Corporation

CIRCLE NO. 16 ON FREE INFORMATION CARD



From PERCOM

- One-Drive System:
\$399. (40-track) & **\$675.** (77-track)
 Two-Drive System:
\$795. (40-track drives) & **\$1350.** (77-track drives)
 Three-Drive System:
\$1195. (40-track drives) & **\$2025.** (77-track drives)
 Requires Expansion Interface. Level II BASIC & 16K RAM.

Low Cost Add-On Storage for Your TRS-80* . In the Size You Want.

When you're ready for add-on disk storage, we're ready for you.
 Ready with six mini-disk storage systems — 102K bytes to 591K bytes of
 additional *on-line* storage for your TRS-80*.

- Choose either 40-track TFD-100™ drives or 77-track TFD-200™ drives.
- One-, two- and three-drive systems immediately available.
- Systems include Percom PATCH PAK #1™, on disk, at no extra charge. PATCH PAK #1™ de-glitches and upgrades TRSDOS* for 40- and 77-track operation.
- TFD-100™ drives accommodate "flippy disks." Store 205K bytes per mini-disk.
- Low prices. A single-drive TFD-100™ costs just \$399. Price includes PATCH PAK #1™ disk.
- Enclosures are finished in system-compatible "Tandy-silver" enamel.

Whether you need a single, 40-track TFD-100™ add-on or a three-drive add-on with 77-track TFD-200™s, you get more data storage for less money from Percom.

Our TFD-100™ drive, for example, lets you store 102.4K bytes of data on one side of a disk — compared to 80K bytes on a TRS-80* mini-disk drive — and 102.4K bytes on the other side, too. Something you can't do with a TRS-80* drive. That's almost 205K bytes per mini-disk.

And the TFD-200™ drives provide 197K bytes of on-line storage per drive

— 197K, 394K and 591K bytes for one-, two and three-drive systems.

PATCH PAK #1™, our upgrade program for your TRSDOS*, not only extends TRSDOS* to accommodate 40- and 77-track drives, it enhances TRSDOS* in other ways as well. PATCH PAK #1™ is supplied with each drive system at no additional charge.

The reason you get more for less from Percom is simple. Peripherals are not a sideline at Percom. Selling disk systems and other peripherals is our main business — the reason you get more engineering, more reliability and more back up support for less money.

In the Product Development Queue . . . a printer interface for using your TRS-80* with any serial printer, and . . . the Electric Crayon™ to map your computer memory onto your color TV screen — for games, animated shows, business displays, graphs, etc. Coming PDD!

™ TFD-100, TFD-200, PATCH PAK and Electric Crayon are trademarks of PERCOM DATA COMPANY.
 *TRS-80 and TRSDOS are trademarks of Tandy Corporation and Radio Shack which have no relationship to PERCOM DATA COMPANY.

PERCOM

PERCOM DATA COMPANY, INC.
 211 N. KIRBY • GARLAND, TX. • 75042

To order add-on mini-disk storage for your TRS-80*, or request additional literature, call Percom's toll-free number: 1-800-527-1592. For detailed Technical information call (214) 272-3421.

Orders may be paid by check or money order, or charged to Visa or Master Charge credit accounts. Texas residents must add 5% sales tax.

Percom 'peripherals for personal computing'



New Products

Additional information on new products covered in this section is available from the manufacturers. Either circle the item's code number on the Reader Service Card inside the back cover or write to the manufacturer at the address given.

KLH Computer-Controlled Speaker

The KLH-1 loudspeaker from KLH Research & Development Corp. uses an analog computer to regulate the drive to its woofer section in order to prevent overdriving the system. According to the company, this permits the dual woofers to be optimized for maximum bass output from an enclosure of limited size. The floor-standing 1.25-cu-ft (35-liter) three-way system is said to be able to deliver a sound pressure level of 105 dB in a typical room, with a -3-dB point of 32 Hz and moderately high efficiency. \$1000 per pair, with Analog Bass Computer module.

CIRCLE NO. 87 ON FREE INFORMATION CARD

12-Band Portable Receiver

The Trans-Oceanic R-7000 portable receiver from Zenith covers seven shortwave bands including all frequencies from 1.8 to 30 MHz, the AM and FM broadcast bands, the longwave FAA aviation weather band, the aircraft communications band for air traffic control, and the public service band for amateurs, police, weather, etc. Features include SSB capability, a squelch control, an ANL/AFC switch, fine and

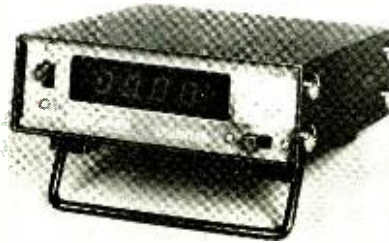


coarse tuning controls, wide-narrow bandwidth switch. Two built-in antennas, 12 dial scales, a signal-strength meter, a tuning meter for FM, and a 5" speaker whose input runs through a bass-to-treble control are also provided. The radio can operate on 8 "D" cells, a 12-volt car battery, and 120 or 240 V ac. It measures 9.38" x 14.06" x 6.56" (238 x 357 x 167 mm) and weighs 13 lb 12 oz (6.25 kg) without batteries. \$380.

CIRCLE NO. 88 ON FREE INFORMATION CARD

10-50-MHz Frequency Counter

The FC-841 multifunction frequency counter from Soar is said to cover the range from 10 Hz to 50 MHz while maintaining a

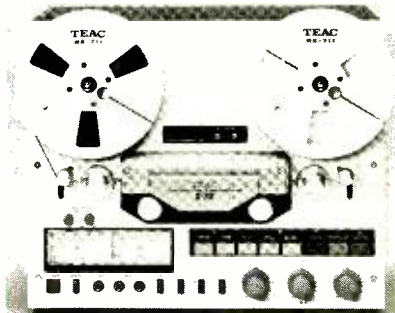


time-base stability of 3 parts per million from 68°F (20°C) to 86°F (30°C). Gate time is 100 ms, and rated sensitivity is 30 mV rms up to 30 MHz, falling to 60 mV rms at 60 MHz. Readout is via a four-digit LED display 0.3 inches high. Kiloherz and megahertz ranges are selected by a switch. Powered by four AA cells, the counter can also be fed from an ac power line or a car's cigar lighter. \$90.

CIRCLE NO. 89 ON FREE INFORMATION CARD

Teac Open-Reel Tape Deck

Closed-loop, dual-capstan tape drive and 7" reel capability are two of the features listed for the new X-7 open-reel deck from Teac. The two-speed (7½ and 3¾ ips) X-7 is equipped with three motors and three heads. The same machine is available as



the X-7R with six heads and bidirectional play-record. Wow and flutter is rated at 0.04% (WRMS) at 7½ ips, with frequency response of 30 Hz to 28 kHz and signal-to-noise ratio of 58 dB. Price: \$750 for the X-7, \$850 for the X-7R.

CIRCLE NO. 91 ON FREE INFORMATION CARD

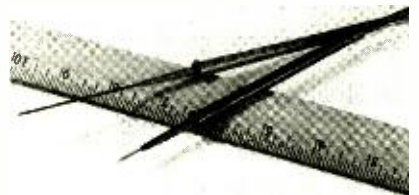
Speech Synthesizer

The Computalker CT-1A, designed to work with the Apple II microcomputer, is a completely self-contained speech synthesizer. The unit comes complete with its own chassis and power supply and contains all necessary interface circuitry as well as a 2-watt audio amplifier. Accompanying the unit is an interconnect cable, an Apple controller card, a detailed manual, and a software package. Phono jacks provide connection points for external speakers, headphones, or an amplifier. To operate the Speech Synthesizer, an Apple II must have a minimum of 16K RAM, with 32K recommended. \$495.

CIRCLE NO. 92 ON FREE INFORMATION CARD

Ultrathin Test Probes

Telescoping test probes designed especially for microcircuitry and miniaturized components are available from Huntron Instruments, Inc. A retractable, tempered-steel electrode 2¾" (70 mm) in length and 0.048" (1.2 mm) in diameter extends from the handle of each probe, which is fitted



with a locking device to hold the electrode at the desired length. An insulating coating said to resist up to 1 kV covers each electrode down to its needle-sharp tip. Each probe comes with 5' (1.5 m) of PVC-coated Superflex leads fitted with standard banana plugs. All parts are said to be replaceable in case of damage.

CIRCLE NO. 93 ON FREE INFORMATION CARD

Data-Cable Line Monitor

The Model 20 Line Monitor introduced by Remark International allows rapid and convenient access to all 25 signal paths of a standard communications data cable.

804-700 p.—Master Handbook of 1001 MORE Practical Electronic Circuits (\$17.95)

Master Handbook of **1001 MORE** Practical Electronic Circuits
Edited by Michael L. Fair

HANDBOOK OF REMOTE CONTROL & AUTOMATION TECHNIQUES

1077-294 p.—Handbook of Remote Control & Automation Techniques (\$12.95)

1062-308 p.—The A To Z Book of Computer Games (\$12.95)

Electronic Designer's Handbook
3rd Edition

1038-350 p.—Electronic Designer's Handbook—3rd Edition (\$14.95)

THE A TO Z BOOK OF COMPUTER GAMES

75 exciting and instructive game programs ready to run on any BASIC computer

HOW TO MAKE HOME ELECTRICITY FROM WIND, WATER & SUNSHINE

1128-252 p.—How To Make Home Electricity From Wind, Water and Sunshine (\$9.95)

PRACTICAL ELECTRICAL INSTALLATION, REPAIR & REWIRING

925-406 p.—Practical Electrical Installation, Repair & Rewiring (\$12.95)

MAKING & USING ELECTRICITY FROM THE SUN

1118-144 p.—Making And Using Electricity From The Sun (\$7.95)

HOW TO BUILD YOUR OWN WORKING ROBOT PET

1141-238 p.—How To Build Your Own Working Robot Pet (\$10.95)

All About Telephones

1097-192 p.—All About Telephones (\$7.95)

THE GIANT BOOK OF AMATEUR RADIO ANTENNAS

802-462 p.—The Giant Book of Amateur Radio Antennas (\$12.95)

How to Select & Install Your Own Speakers

1034-238 p.—How To Select & Install Your Own Speakers (\$9.95)

DIRECT CURRENT MOTORS—

931-252 p.—Direct Current Motors (\$14.95)

Towers' International OpAmp Linear-IC Selector

1216-190 p. (7" x 10")—Towers' International OpAmp Linear-IC Selector

THE LASER EXPERIMENTER'S HANDBOOK

1123-210 p.—The Laser Experimenter's Handbook (\$9.95)

Microwave Oven Service & Repair

962-420 p.—Microwave Oven Service & Repair (\$12.95)

Handbook of Electrical Noise: Measurement & Technology

1132-280 p.—Handbook of Electrical Noise: Measurement & Technology (\$10.95)

Instrumentation & Control Systems Engineering Handbook

1035-434 p.—Instrument & Control Systems Engineering Handbook (\$19.95)

Radio Control Handbook: 4th Edition

1093-420 p.—Radio Control Handbook: 4th Edition (\$14.95)

Handbook of Electrical Noise: Measurement & Technology

1132-280 p.—Handbook of Electrical Noise: Measurement & Technology (\$10.95)

How To Design, Build & Program Your Own Working Computer System

1111-308 p.—How To Design, Build & Program Your Own Working Computer System (\$12.95)

Artificial Intelligence

1078-252 p.—Artificial Intelligence (\$12.95)

How to Design & Build Your Own Custom TV Games

1101-546 p.—How To Design & Build Your Own Custom TV Games (\$14.95)

The Active Filter Handbook

1133-280 p.—The Active Filter Handbook (\$9.95)

Microprocessor Cookbook

1053-266 p.—Microprocessor Cookbook (\$9.95)

Electronic Circuit Design Handbook—4th Edition

101-416 p. (8 1/2" x 11")—Electronic Circuit Design Handbook—4th Edition (\$19.95)

Microprocessor Cookbook

1053-266 p.—Microprocessor Cookbook (\$9.95)

The Active Filter Handbook

1133-280 p.—The Active Filter Handbook (\$9.95)

Microprocessor Cookbook

1053-266 p.—Microprocessor Cookbook (\$9.95)

Microprocessor Cookbook

1053-266 p.—Microprocessor Cookbook (\$9.95)

An Extraordinary Offer to introduce you to the benefits of Membership in

ELECTRONICS BOOK CLUB

take any **6** of these 24 unique electronics books **\$1.99** for **ALL SIX**

with a Trial Membership in the Book Club that guarantees to save you 25% to 75% on a wide selection of electronics books

Facts About Club Membership

- The 6 introductory books of your choice carry publisher's retail prices of up to \$102.70. They are yours for only \$1.99 for all 6 (plus postage/handling) with your Trial Membership.
- You will receive the Club News, describing the current Selection, Alternates, and other books, every 4 weeks (13 x a year).
- If you want the Selection, do nothing, it will be sent to you automatically. If you do not wish to receive the Selection, or if you want to order one of the many Alternates offered, you simply give instructions on the reply form (and in the envelope) provided, and return it to us by the date specified. This date allows you at least 10 days in which to return the form. If, because of late mail delivery, you do not have 10 days to make a decision and so receive an unwanted Selection, you may return it at Club expense.
- To complete your Trial Membership, you need buy only four additional monthly Selections or Alternates during the next 12 months. You may cancel your Membership any time after you purchase these four books.
- All books—including the Introductory Offer—are fully returnable after 10 days if you're not completely satisfied.
- All books are offered at low Member prices, plus a small postage and handling charge.
- Continuing Bonus: If you continue after this Trial Membership, you will earn a Dividend Certificate for every book you purchase. Three Certificates, plus payment of the nominal sum of \$1.99 will entitle you to a variable Book Dividend of your choice which you may choose from a list provided Members.

May we send you your choice of 6 of these practical time-and-money-saving books as part of an unusual offer of a Trial Membership in Electronics Book Club?

Here are quality hardbound volumes, each especially designed to help you increase your know-how, earning power, and enjoyment of electronics. Whatever your interest in electronics, you'll find Electronics Book Club offers practical, quality books that you can put to immediate use and benefit.

This extraordinary offer is intended to prove to you through your own experience, that these very real advantages can be yours...that it is possible to keep up with the literature published in your areas of interest, and to save substantially while so doing. As part of your Trial Membership, you need purchase as few as four books during the coming 12 months. You would probably buy at least this many anyway, without the substantial savings offered through Club Membership.

To start your Membership on these attractive terms, simply fill out and mail the coupon today. You will receive the 6 books of your choice for 10-day inspection. YOU NEED SEND NO MONEY. If you're not delighted, return the books within 10 days and your Trial Membership will be cancelled without cost or obligation.

ELECTRONICS BOOK CLUB, Blue Ridge Summit, Pa. 17214
CIRCLE NO. 22 ON FREE INFORMATION CARD

ELECTRONICS BOOK CLUB

Blue Ridge Summit, Pa. 17214

Please open my Trial Membership in ELECTRONICS BOOK CLUB and send me the 6 books circled below. I understand the cost of the books I have selected is only \$1.99 for all 6, plus a small shipping charge. If not delighted, I may return the books within 10 days and owe nothing, and have my Trial Membership cancelled. I agree to purchase at least four additional books during the next 12 months after which I may cancel my membership at any time.

101 802 804 925 931 962 1034 1035
1038 1053 1062 1076 1077 1093 1097 1101
1111 1118 1123 1128 1132 1133 1141 1216

Name _____ Phone _____

Address _____

City _____

State _____ Zip _____

(Valid for new Members only. Foreign and Canada add 15%) PE-99

TEKNION

3018 BATHURST ST.
TORONTO, ONTARIO
CANADA M6B 3B6
TELEPHONE (416) 787-2811

CORDLESS CONVENIENCE

THE REMOTE CONTROL STARTER FOR YOUR CAR AND THE WIRELESS TELEPHONES ARE JUST TWO OF OUR PRODUCTS THAT WILL HELP YOU ACHIEVE THIS.



REMOTE STARTER:

IT IS THE ULTIMATE IN MOTORING CONVENIENCE. THE TRANSMITTER IS THE SIZE OF A MATCH BOX 1.7" x 2.5" x .7". THE SMALLEST IN THE WORLD. NO MORE WAITING FOR A COLD CAR TO WARM UP. OR A BOILING ONE TO COOL OFF. JUST START IT FROM YOUR HOME OR OFFICE AND SIT INTO A COMFORTABLE ENVIRONMENT WHEN YOU ARE READY TO DRIVE AWAY. DON'T WORRY. NO ONE ELSE CAN DO THE SAME BECAUSE IF YOUR CAR IS PUT INTO GEAR WITHOUT A KEY THE ENGINE WILL AUTOMATICALLY STOP TO PREVENT ACCIDENT OR THEFT. ORDER YOURS NOW FOR ONLY \$249 (CANADA \$299) WITH 10 DAY MONEY BACK GUARANTEE.



THE CORDLESS PHONE. THE ULTIMATE IN PHONE CONVENIENCE. NO MORE SCRAMBLING FOR THE PHONE WHEN IT RINGS. YOU CAN ANSWER YOUR PHONE UP TO 700'. THIS MEANS YOU CAN EVEN GO OVER TO THE NEIGHBORS OR GO SHOPPING AROUND THE CORNER WITHOUT HAVING TO STICK TO THE PHONE WAITING FOR AN IMPORTANT CALL. THIS UNIT IS ALSO AN IDEAL DETERRENT FOR WOULD BE THIEVES. THEY ALWAYS CALL TO CHECK IF YOU ARE AT HOME. WITH OUR CORDLESS PHONE YOUR NEIGHBORS CAN ANSWER, MAKING IT SEEM LIKE SOMEONE IS OCCUPYING YOUR HOUSE. IN THE OFFICE OR PLANT, NO MORE RUNNING TO THE NEAREST PHONE TO FIND OUT YOU DON'T EVEN WANT TO TALK TO THE CALLER. YOUR SECRETARY CAN PRESS THE INTERCOM BUTTON AND TELL YOU WHO'S CALLING WITHOUT THE PARTY HEARING. BECAUSE THEY ARE ON HOLD! ORDER YOURS NOW FOR ONLY \$99 (CANADA \$120) WITH 10 DAY MONEY BACK GUARANTEE WITH TOUCH DIALER \$249 (CANADA \$299) TOTALLY MOBILE PHONE. USABLE THROUGHOUT NORTH AMERICA \$3000. DEALER INQUIRIES ARE INVITED

PLEASE SEND CHECKS, MONEY ORDERS, BANKAMERICARD (VISA) OR MASTER CHARGE TO TEKNION DEPT. PE9, 1333-54th ST., BROOKLYN, N.Y. 11219
CANADA — 3018 BATHURST ST., TORONTO ONTARIO M6B 3B6

N.Y., ONT. RESIDENTS ADD SALES TAX.

CIRCLE NO. 62 ON FREE INFORMATION CARD

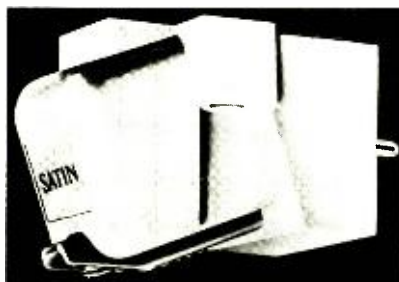
When connected in series with the cable, the monitor provides 25 clearly marked test points in the form of 0.025" square pins. Two standard data connectors, which



interface the cable and monitor, and all the pins are contained in an aluminum housing 3" x 2.5" x 1.5". Standard connector configuration is 1 male, 1 female; a 2-male or 2-female arrangement is available at extra cost. \$32. Address: Remark International, 4 Sycamore Dr., Woodbury, NY 11797.

Satin 117S Moving-Coil Pickup

One of the latest of the Satin moving-coil cartridges introduced by Osawa is the Model 117S, distinguished by its special stylus shape. Like the earlier Model 117G,



the 117S is designed to feed a standard phono input with no transformer or head amp required. In addition, the new cartridge is said to have a fixed-point pivot for the stylus cantilever and a special formula lubricant instead of the less accurate rubber mechanisms often used to provide damping. \$225.

CIRCLE NO. 94 ON FREE INFORMATION CARD

Speech Processor Mic

The new K-40 Speech Processor microphone from American Antenna is said to monitor speech and automatically adjust its gain so as to produce up to 400% more "talk" power than standard microphones. A two-position switch changes equalization to give high-pitch transmission for cutting through traffic noise or a mellow tone for quiet areas. An electronic storage sys-



tem that automatically provides a fresh electric charge each time the trigger is released eliminates the need for a battery. An internal magnet is provided to clamp the device to any steel surface. \$42.50.

CIRCLE NO. 95 ON FREE INFORMATION CARD

LCD Designer's Kit

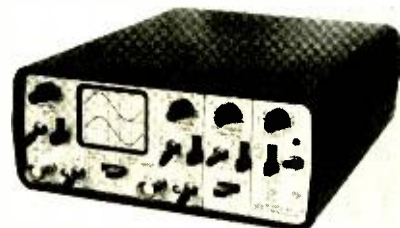
Beckman has introduced a kit that lets users experiment with large-area liquid crystal displays. Contains a 0.5", 4-digit LCD



display along with a connector/bezel assembly, printed circuit board, and complete specifications and applications information. \$11.95. Address: Beckman Instruments, Inc., Display Systems Div., 2500 Harbor Blvd., Fullerton, CA 92634.

30-MHz Dual-Trace Miniscope

Non-Linear Systems' Model MS-230 miniature oscilloscope is rated at 30 MHz and offers dual-trace operation. The battery-operated Miniscope measures 8.5"D x 6.4"W x 2.9"H (216 x 163 x 74 mm) and weighs 3.5 lb (1.6 kg), including battery. It features alternate, chopped, and separate sweep modes and internal and external triggering. There are 12 vertical-gain set-



Spend less. Test more.

Integrated circuits are very private devices. When something goes wrong, they just don't work. Which is tough enough when part or all of *one* IC goes bad. But often worse, because a single bad IC usually means a large, complex system that won't function properly.

Until now, you could spend a lot of money and time—and still only be guessing what was happening at any point in a logic system.



Logic Probe LP-1. Captures pulses as fast as 50 nanoseconds, to 10MHz. Latching memory. Bargain-priced at only \$44.95*.

CSC puts troubleshooting at your fingertips. Now, there's a quicker, surer, less expensive way to get the information you need. CSC multi-family Logic Probes. Their LEDs light to show you at a glance the logic state at any point—and more. Catch fast pulses, even store them if you like. A flashing light signals pulse trains. And you can even approximate the duty cycle of asymmetrical waveforms.

Nothing could be simpler. No complex

settings, no sync, no wait. A switch selects the proper logic family. The probes derive their



Logic Probe LP-2. All the basic features of LP-1, with pulses as fast as 300 nanoseconds, to 1.5MHz. Doesn't have LP-1's memory feature . . . but features even lower price: \$24.95*!

power from the circuit under test. High input impedance prevents circuit loading. And all you do is touch the tip to any pin, pad or path for an instant picture of circuit conditions.

Laboratory quality. Economy price.

High speed. High precision. Even memory. CSC Logic Probes deliver all the performance you need for design, development, debugging and servicing. Making digital work less of a chore, more of a bargain. CSC for yourself!



Logic Probe LP-3. Five times the speed of LP-1 at less than twice the price. Captures pulses as narrow as 10 nanoseconds, to over 50MHz. Latching memory. The new value standard, at \$69.95*.

Call **1-800-243-6077** toll-free for details

CONTINENTAL SPECIALTIES CORPORATION



70 Fulton Terr., New Haven, CT 06509 (203) 624-3103, TWX 710-465-1227
 OTHER OFFICES: San Francisco: (415) 421-8872, TWX 910-372-7992
 Europe: CSC UK LTD. Phone Saffron-Walden 0799-21682, TLX 817477
 Canada: Len Finkler Ltd., Ontario

* Suggested U.S. resale. Available at selected local distributors. Prices, specifications subject to change without notice. © Copyright 1979 Continental Specialties Corporation

Now!

A tool buddy
for everybody!



Xcelite[®]

**MULTI-PURPOSE
TOOL KIT presents
your 11 most
used tools.**

Professional or hobbyist, reach out your hand. Xcelite tool buddy TKX-11 has just the tool you want for tinkering, maintenance, or repair. Six different drivers — pocket clip, stubby, and regular — for slotted, Phillips, hex head screws and nuts. 10-foot inch/metric rule. Wire stripper/cutter. 6" slip joint plier, long nose plier with side cutter, adjustable wrench.

Compact, durable, double-wall caddy compartmented for easy choice and storage. A buddy you'll keep by your side.

New Gift Idea! For all occasions.

In stock at leading electronic distributors . . . nationwide.



The Cooper Group
Electronics Division

WELLER • WISSA • XCELITE[®]

PO BOX 728, APEX, NORTH CAROLINA 27502, 919/362-7511

CIRCLE NO. 17 ON FREE INFORMATION CARD

tings for each channel from 0.01 to 50 volts/division. There are also 21 time-base settings from 0.05 μ s to 0.2 s/division. Verniers are provided for time-base and vertical-amplifier adjustment. Included are a horizontal input channel, an internal calibrator, input cables and a battery charger that permits line operation. Accessories include a 10:1 10-megohm probe and leather carrying case with shoulder strap and belt loop. \$559.00.

CIRCLE NO. 96 ON FREE INFORMATION CARD

Phase Linear Power Amp

The Model 300 Series Two power amplifier from Phase Linear is rated to deliver a minimum of 120 watts per channel at no more than 0.009% total harmonic distortion, 20 Hz to 20 kHz with both channels driven into 8 ohms. Transient inter-modulation distortion (TIM) is said to be no more than 0.005%. Although the amplifier is a class AB design and therefore subject to cross-over distortion, Phase Linear claims that all the spurious products from this source lie above 80 kHz, where they are inaudible. \$450.

CIRCLE NO. 97 ON FREE INFORMATION CARD

Ham Transceiver with Microprocessor

Swan Electronics's new Astro 150 Amateur Radio transceiver features microprocessor control and memory. The all-solid-state transceiver is claimed to be the



most advanced on today's hf SSB market. It offers more than 100,000 digitally-controlled frequencies and variable-rate scanning (VRS). With up and down pushbuttons on the microphone, the transceiver can be tuned for accurate 100-Hz steps or at a fixed scan rate. The VRS system is a supplement to conventional tuning knobs with electronic scanning. Features include: 235 watts of transmitter input power, full and semibreak-in CW, narrow-band CW filter, and expanded frequency coverage.

CIRCLE NO. 98 ON FREE INFORMATION CARD

16-Bit μ computer Kit

A complete 16-bit 8086 microcomputer kit is available from Intel. It includes an 8-digit



LED display, a 24-key hex keyboard, 8K ROM, 2K RAM, and all necessary components other than a power supply. Features of the SDK-86 include 48 parallel I/O lines, an RS232 or current loop serial I/O structure, a selectable data transfer rate from 110 to 4800 baud, and TTL-compatible bus signals. A complete design library accompanies the kit. \$780.

CIRCLE NO. 99 ON FREE INFORMATION CARD

Tunable FM Antenna Amp

Audio Marketing by Von introduces the FM Power Sleuth, a tunable FM amplifier designed to feed the antenna terminals of a tuner or receiver. It is designed mainly for fringe-area use, but is said to contribute to reception in urban and suburban installations where indoor or dipole antennas are used. Rated specifications for the device include: r-f gain 35 dB, \pm 5 dB; noise figure 7 dB maximum; spurious reject 90 dB or better; image rejection 85 dB or better. \$150. Address: Audio Marketing by Von, 11 Royal Crest Drive, North Andover, MA 01845.

Rotating Organ "Speaker"

The new Schober Organ Model RT-151 Rotatone is an all-electronic device that provides the same kind of electronic-organ sound enhancement as rotating-baffle loudspeakers. It can be installed in most electronic organs, generally just before the power amp. Like a rotating speaker system, the Rotatone adds both vibrato (FM) and tremolo (AM) to the sound. In the FAST position of the control switch, the AM and FM are at vibrato rate of about 6 Hz. Set to SLOW, amplitude and frequency variations are much more subtle. The third switch position completely bypasses the Rotatone. The device is built on a 5 1/2" (140-mm) square printed-circuit board that can be mounted anywhere. The switch is housed in a shallow walnut box that can be installed under the lower keyboard. The Rotatone is available in kit form for \$87.50.

CIRCLE NO. 100 ON FREE INFORMATION CARD



New Literature

DX PROGRAM SCHEDULE

An hour-by-hour detailed schedule of DX programs throughout the week is published twice a year (such as in the July issue) in *Review of International Broadcasting*. Subscriptions are \$12 per year from Glenn Hauser, University Radio WUOT, Knoxville, TN 37916.

TI MICROCOMPUTER GUIDE

The CL 377A 20-page product selection guide from Texas Instruments covers the TM990 Series of 16-bit microcomputer modules, including software, firmware, and hardware products. Descriptions contain key specifications and features of memory and I/O expansion modules, A/D and D/A interface modules, and others. Address: Texas Instruments Incorporated, Inquiry Answering Service, P.O. Box 1443, MS-6404, Houston, TX 77001.

AUDIO-TECHNICA DIRECT-DISC CATALOG

Perhaps the most extensive single listing of very-high-fidelity records, the StandarDisc catalog, is available from Audio-Technica. It includes such labels as Gale, Umbrella, RCA, and Toshiba EMI for direct-to-disc and Telarc for a new digitally mastered album. With 17 new discs, the catalog listing has been expanded to 46 recordings. Address: Audio-Technica U.S., Inc., 33 Shiwasse Ave., Fairlawn, OH 44313.

ALLIED ELECTRONICS CATALOG

Allied Electronics' 1979 Engineering Manual and Purchasing Guide is filled with a wide selection of industrial-type parts, supplies, and equipment. Its 260 pages contain illustrations, dimensions, technical data and specifications, descriptive explanation, and prices. Send \$1.00 to cover postage to: Allied Electronics, Dept. C-79, 401 East 8 St., Fort Worth, TX 76102.

SHAKESPEARE MARINE ANTENNA CATALOG

Shakespeare's 1979 Fiberglass Marine Antenna Catalog contains products and electronic data, as well as background information on the company's fiberglass process. The catalog also includes do's and don'ts for choosing a marine antenna. Address: The

SEPTEMBER 1979

Shakespeare Company, Electronics and Fiberglass Division, P.O. Box 246, Columbia, SC 29202.

Corp., 2900 Semiconductor Drive, Santa Clara, CA 95051.

NATIONAL SEMICONDUCTOR PERSONAL COMPUTER BROCHURE

A 24-page brochure from National Semiconductor Corporation details its range of components for personal computers. The brochure describes more than 100 components including microprocessors, memories, CRT controllers, LED displays, floppy disk interfaces, serial and parallel interfaces, sound synthesizers, analog interfaces, and printer interfaces. Address: National Semiconductor

CSC 1979 CATALOG

Continental Specialties's 32-page catalog for 1979 highlights signal generators, test instruments, logic probes, frequency counters, solderless breadboards, IC test clips, and more. New products listed include four cases, etched and drilled printed-circuit boards, and printed worksheet pads, the last to complement CSC's Experimentor solderless breadboards. Address: Continental Specialties Corp., 70 Fulton Terr., New Haven, CT 06509.



The DMM you've wanted: Quality and performance at a low, low cost

A surprisingly low \$69.95. Surprising because you get the type of performance you've wanted but expected to pay much more for.

Quality, Performance and Accuracy

The 2010A offers you long-term accuracy with a laser-trimmed resistor network, a stable bandgap reference element, and single-chip LSI circuitry. With 31 ranges and 6 functions, you can measure AC or DC volts from 100 μ V to 1000V; AC and DC current from 0.1 μ A all the way to 10 A; resistance from 0.1 Ω to 20 M Ω . Typical DCV and Ohms accuracy is 0.1% \pm 1 digit. Easy-to-read 3 $\frac{1}{2}$ digit LED's with 9mm numerals and automatic decimal point.

Extra features for greater convenience and flexibility

- Unique X10 multiplier switch gives you convenient selection of the next higher decade. Hi-Low Power Ohms capability gives you three high-ohm ranges that supply enough voltage to turn on a semiconductor junction. You use the three low-ohm ranges for in-circuit resistance measurements.
- Wide Frequency Response: 40 Hz to 40 kHz bandwidth lets you measure audio through ultrasonic AC signals.
- Touch-and-Hold Capability (with optional probe) lets you hold readings as long as you wish so you can make measurements in hard-to-reach places without taking your eyes off the probe tip.

- And More: automatic polarity and zeroing; overrange indication; overload protection on all ranges.

This compact unit is powered by 4 "C" cells (not included) so that you can take your laboratory benchtop unit anywhere with you.

Kit or Factory-Assembled

Either is a tremendous value. Complete kit only \$69.95; assemble it yourself with our easy-to-follow instructions. Or, for only \$99.50, Sabtronics will ship your 2010A factory-assembled and calibrated.

Whether you're a professional or a hobbyist (or both!): When quality, accuracy, and price count, you should check out the 2010A DMM for yourself. Order one today for a full 10 days to inspect it; if you're not completely satisfied, merely return it in its original condition for a prompt and courteous refund of purchase price. Call with your Master Charge or Visa number or write the address below.

2010A Kit: \$69.95 (plus \$4.00 S&H)

2010A Assembled: \$99.50 (plus \$4.00 S&H)

AC-115 Adaptor: \$7.50

NB-120 Nickel Cadmium Batteries: \$17.00

THP-20 Touch and Hold Probe: \$18.00

Making Performance Affordable

sabtronics INTERNATIONAL INC.

13426 Floyd Circle M/S 24 Dallas, Texas 75243
Telephone 214/783-0994



Stereo Scene

By Harold A. Rodgers, Senior Editor

GIVING THE SYSTEM A FIGHTING CHANCE

NOT INFREQUENTLY, when visiting the homes of various friends and acquaintances, I find myself drawn into conversations about the ills that afflict their stereo systems. The opening remarks of these discussions typically run something like this: "My system just isn't sounding right anymore. I think I'll probably have to replace the . . ." Or: "There is something very strange about this room. No matter what kind of speakers I try, the sound is muddy."

Now it may very well be that the owner of the first system has detected an ailing component or has attained such auditory sophistication that equipment that was once satisfactory is no longer so. And it is possible that the second complainer is unlucky enough to live in an acoustically disastrous environment. But in my experience this is rarely the case. Most often, the audio system is capable of sound that is presentable or even creditable—were it not called upon to struggle against impossible odds. Diagnosing the problem is very simple in most of these instances: The loudspeakers are badly positioned.

It is by now fairly common knowledge that to hear decent stereo, you will have to set up your speakers and then sit approximately halfway between them. Likewise, it seems to be generally understood that a speaker aimed at an overstuffed chair rather than toward the listening position will seem deficient in high-frequency output. Yet it is amazing how often even these simple principles are violated. Were such elementary oversights the total extent of the problem, the subject would hardly rate treatment in a column of a magazine with a technically oriented readership. But, strange as it may seem, I have seen errors only slightly more subtle made by knowledgeable colleagues.

Giving Speakers the Best Possible Home. If you are intent upon getting the best performance that your stereo system can deliver, it will pay you

to recognize immediately that loudspeakers—and the listening position—optimally placed will probably contradict all the conventional wisdom of interior decorating. (Murphy's Law insists that it be thus.) Making matters even more complicated, there are no hard and fast rules for correct placement. (A noted acoustician is said to have remarked: "We can calculate the behavior of a room quite exactly—as long as it is empty. But put a single chair in that room and we are not sure what we are doing.") There are, however, some general guidelines.

Loudspeakers, as a rule are ambivalent about walls (and floors and ceilings, too, for that matter). While close proximity of a speaker to a room boundary can increase its radiation loading (and thereby its efficiency), sound waves reflected from the assisting surface can create reinforcements and cancellations at various points in the audio spectrum and cause uneven frequency response.

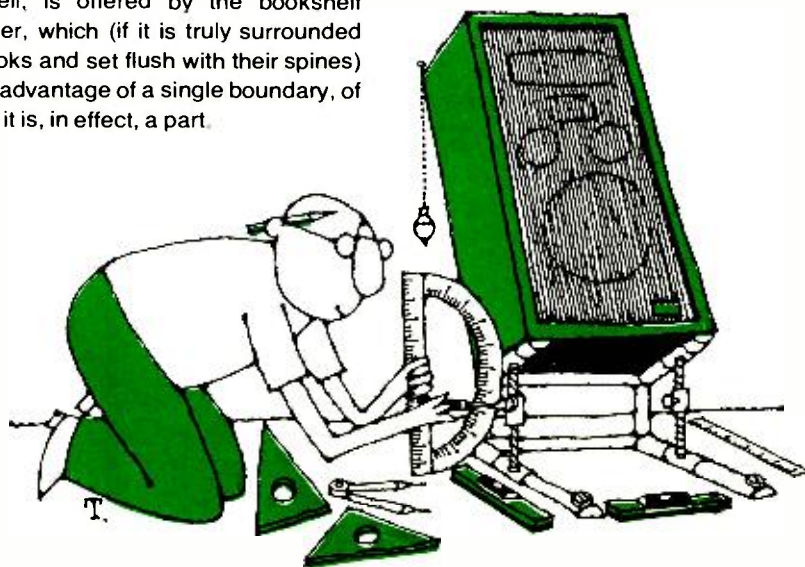
Some manufacturers have taken this into account and designed speakers to take advantage of the loading offered by two- and three-plane corners without incurring a frequency-response penalty. Another solution, with other advantages as well, is offered by the bookshelf speaker, which (if it is truly surrounded by books and set flush with their spines) takes advantage of a single boundary, of which it is, in effect, a part.

But room boundaries have another effect: they reflect sound back and forth between themselves, giving rise to *modes* or resonances at frequencies that depend on how far apart they are. The effect of room modes is to create peaks and dips in the frequency response of the room itself. In fact, in an ideally reflective room there would be frequencies at which no sound could propagate and other frequencies at which it would propagate for extended periods. These standing waves or room modes (different names for the same phenomenon) fall sufficiently close together at midbass frequencies and above that they cause no problems in most rooms. In the low bass, however, they can raise havoc.

The best defense against standing waves lies in the choice of room. First, the bigger the better. If the room is big enough, the modes overlap at low bass frequencies and are troublesome only at infrasonic frequencies. (Getting enough acoustic power out of your speakers might be a problem, though.) The second consideration is that, if possible, no two room dimensions should be equal. Nor should one be an exact multiple of another. A cubical listening room, in which all three sets of modes, one associated with each dimension, coincide, would be a disaster.

Since most of us have little control over the sizes and shapes of our rooms, let's look again at loudspeaker positioning and see if it can help us to tame room modes. Indeed, it can if the sound source is kept away from the room boundaries, whereby energy is transferred into the modes relatively slowly. Thus a transient, like a bass-drum pulse,

(Continued on page 20)



HIGH SPEED RECEIVERS: FASTER RESPONSE MEANS MORE ACCURATE SOUND.

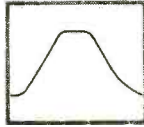
The new Kenwood receivers actually outperform all other receivers, as well as our competitors' separate amplifiers and tuners in transient response.

The reason is Kenwood's exclusive technical breakthrough: Hi-Speed. It allows our receivers to react more quickly to musical changes. So what comes out of your receiver matches precisely what went in.

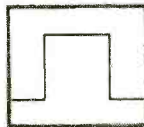
You'll hear the difference as dramatically accurate, open sound with superior imaging and detail. Like hearing an individual singer in a vocal group.

Hi-Speed is available in four models, all DC-amplified for clean bass response. Each one also has switchable wide and narrow IF bands for low-distortion FM reception, plus dual power meters.

And each Hi-Speed receiver has unique individual features that make a real difference in the tonal quality of music. Like dual power supplies that eliminate crosstalk distortion. Or a pulse count detector that digitally reduces FM distortion by half



Distorted waveform response produced by conventional receiver.



Square waveform response of Hi-Speed receiver.

while significantly reducing background noise. Or a built-in equalizer with ten turnover frequencies for full acoustic control.

Whichever model you choose, you'll be getting the most advanced receiver technology and performance available today. Advances far beyond the competition.

Your Kenwood dealer will be happy to demonstrate Hi-Speed, now.

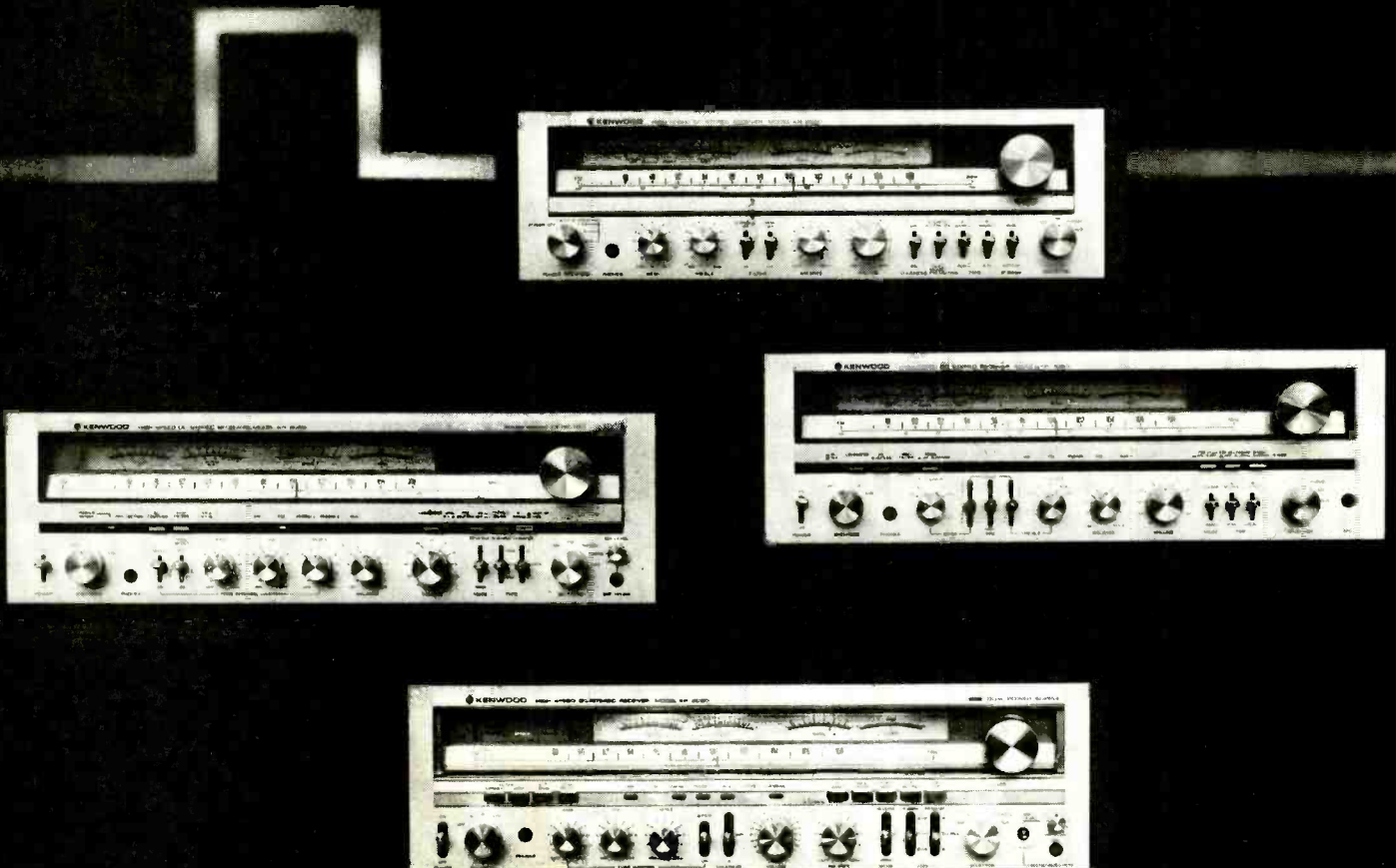
HI-SPEED™

Hear the future of high fidelity.



For the Kenwood dealer nearest you, see your Yellow Pages, or write Kenwood, P.O. Box 6213, Carson, CA 90749
In Canada: Magnasonic Canada, Ltd.

CIRCLE NO. 35 ON FREE INFORMATION CARD



Everybody's making money selling microcomputers. Somebody's going to make money servicing them.

New NRI Home Study Course Shows You How to Make Money Servicing, Repairing,
and Programming Personal and Small Business Computers



Seems like every time you turn around, somebody comes along with a new computer for home or business use. And what's made it all possible is the amazing microprocessor, the tiny little chip that's a computer in itself.

Using this new technology, the industry is offering compact, affordable computers that will handle things like payrolls, billing, inventory, and other jobs for businesses of every size...perform household functions including budgeting, environmental systems control, indexing recipes, and more. And thousands of hobbyists are already owners, experimenting and developing their own programs.

Growing Demand for Computer Technicians

This is only one of the growth factors influencing the increasing opportunities for qualified computer technicians. The U.S. Department of Labor projects over a 100% increase in job openings for the decade through 1985. Most of them *new* jobs created by the expanding world of the computer.

Learn at Home in Your Spare Time

NRI can train you for this exciting, rewarding field. Train you at home to service not only microcomputers, but their larger brothers, too. Train you at your convenience, with clearly written "bite-size" lessons that you do evenings or weekends, without going to classes or quitting your present job.

Assemble Your Own Microcomputer

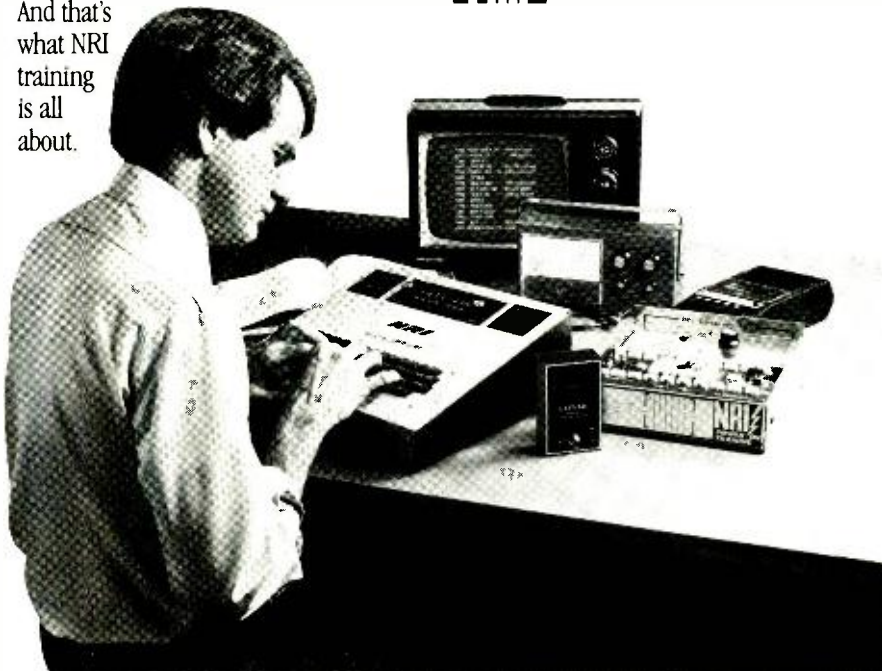
NRI training goes far beyond theory. It includes practical experience, too. As you progress, you perform meaningful experiments building and studying electronic circuits on the NRI Discovery Lab.[®] You assemble test instruments that include a transistorized volt-ohm meter and a CMOS digital frequency counter...instruments you learn on, use later in your work.



And you build your own microcomputer. Each step of construction advances your knowledge, gives you deeper insights into this amazing world that's upon us.

This is the only microcomputer designed for learning. It looks, operates, and performs just like the finest of its kind...actually does more than many commercial units. But NRI engineers have designed components and planned the assembly procedure so it demonstrates important principles, gives you working experience in detecting and correcting problems.

And that's what NRI training is all about.



Other Opportunities in Electronics

Since 1914, before commercial radio was even on the air, NRI has been the way to learn new electronics skills. Today's modern offerings include, in addition to three different computer courses, TV/Audio/Video Systems Servicing, with training on the only designed-for-learning 25" diagonal color TV, with state-of-the-art computer programming. Or, check out our Complete Communications Course, preparing you to enter this booming field servicing, installing, and repairing equipment like microwave, broadcast, CB, shortwave radio, paging, radar, and more.

Mail Postage-Paid Card for Free Catalog No Salesman Will Call

Send today for your free copy of our 100-page, full-color catalog. It describes all of our electronics courses in detail, showing kits, equipment, and lesson plans. Look it over at your convenience, then decide how NRI can help you make the most of your talents. There's no obligation and no salesman will ever call or bother you. With more than a million students and unmatched experience in home training, NRI gives you the most in training for new opportunity! If card has been removed, write to:



NRI Schools
McGraw-Hill Continuing
Education Center
3939 Wisconsin Avenue
Washington, D.C. 20016

McIntosh

"A Technological Masterpiece..."



McIntosh C 32

"More Than a Preamplifier"

McIntosh has received peerless acclaim from prominent product testing laboratories and outstanding international recognition! You can learn why the "more than a preamplifier" C 32 has been selected for these unique honors.

Send us your name and address and we'll send you the complete product reviews and data on all McIntosh products, copies of the international awards, and a North American FM directory. You will understand why McIntosh product research and development always has the appearance and technological look to the future.

Keep up to date.
Send now - - -

McIntosh Laboratory Inc.
Box 96 East Side Station
Binghamton, NY 13904

Name _____

Address _____

City _____ State _____ Zip _____

If you are in a hurry for your catalog please send the coupon to McIntosh. For non-rush service send the Reader Service Card to the magazine.

CIRCLE NO. 38 ON FREE INFORMATION CARD

20

STEREO SCENE continued

might actually die out before the room begins to color it. And even more sustained bass tones don't last all that long. Organ pedal points may still cause difficulties, but even these should be improved to some extent.

It would now seem that, in theory at least, we have a conflict between speakers designed for placement near room boundaries and the requirements for reducing standing waves. In practice, though, the contradiction almost never arises. The reason is that standing waves cause the most difficulty in small rooms, whose size already excludes devices such as corner horns that would excite modes most readily. Conversely, in a room large enough to welcome a corner horn, modes are already less of a problem.

If a dilemma exists, it is in the case of speakers designed to have their woofers placed at a wall/floor intersection. The designed-for location is often optimum in a reasonably large room; but where modes are a problem, better sound may be achieved by moving the speaker away from the wall. With the woofer still close to the floor, the loading situation becomes analogous to that of the bookshelf speaker. A small loss of bass, which can easily be equalized out, is the price of less prominent standing waves. Granted, you are violating the designer's intentions, but nothing is damaged by the experiment. If you dislike the result, go back to the orthodox arrangement.

And what is to be done with the ubiquitous "box with front-firing drivers"? This type is similar to the bookshelf speaker except that it is difficult to mount so that the drivers are flush with a room boundary. A reflected wave is thus allowed to perturb the frequency response. If the box is set with its back against a wall, the cancellation so induced tends to fall right in the midbass. The cancellation frequency is the one at which the distance from the driver to the wall is one-quarter wavelength. Thus, if we can increase the distance from the driver to the nearest boundary to about five feet, the cancellation will be at about 56 Hz.

There is some advantage to moving the disturbance to the lower part of the spectrum. Standing waves are beginning to roughen the response in this region anyway, and with perseverance (and some luck) the cancellation and a standing wave might be made to offset each other. To keep reinforcements and cancellations from piling up, it is very im-

portant that no speaker be located the same distance from two or more room boundaries.

And don't forget about the floor! It reflects sound much the way walls do. Speaker stands can be invaluable in adjusting the distance between a woofer and the floor. Sometimes, the way to place the woofer where you want it is to invert the box. This works as long as the tweeter (and midrange) can be kept approximately at ear level.

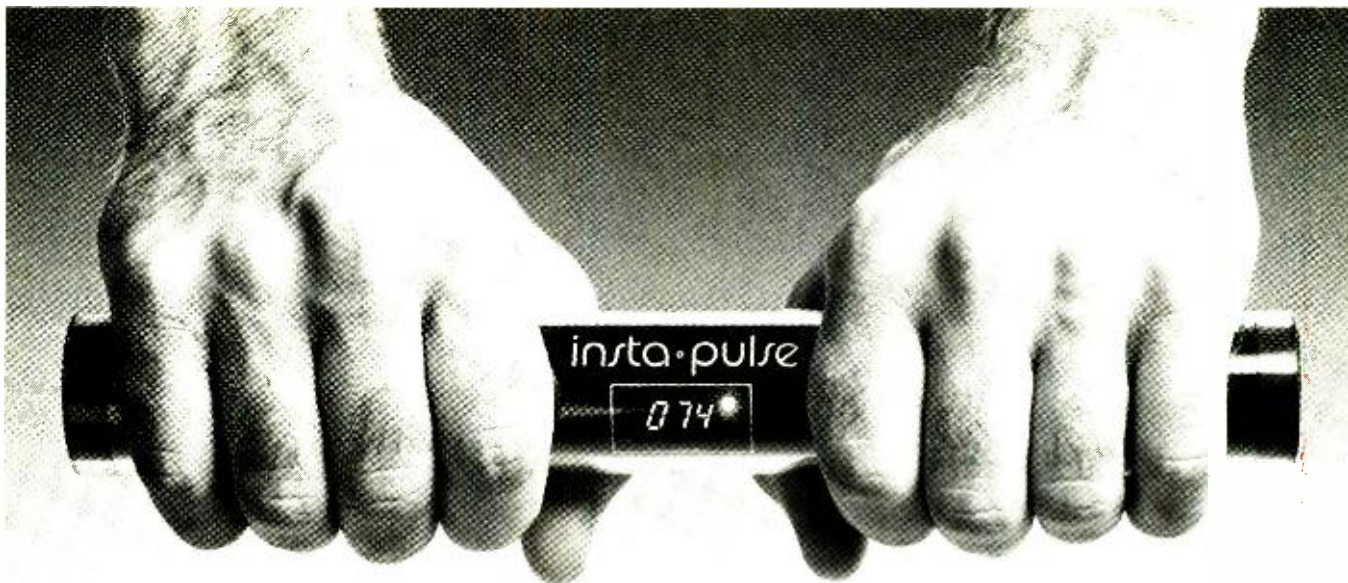
Compromises. Clearly, what I have outlined here will be entirely impractical in circumstances where the result is a room that's made unlivable, unattractive, or both. Fortunately, concessions can be made to practicality without too much adverse influence on the sound.

The first thing to remember is that the peaks and dips caused by reflections are limited to ± 3 dB—not terribly noticeable unless two or more of them coincide to cause double or triple the disturbance. Thus, if a speaker must be against or too close to a wall, try to keep it away from a second wall. Or, failing that, make the distances to the two walls unequal. In addition, although symmetrical placement of speakers generally benefits interchannel balance and stereo imaging, it is best if the symmetry is not quite exact. That way, you won't get ripples of ± 6 or ± 9 dB.

You can also make use of the distribution of standing waves in your room to adjust the bass/treble balance of the speakers. It can be demonstrated without too much trouble that antinodes (points of maximum amplitude in the standing-wave pattern) occur at the room boundaries. Therefore, a listener seated near a wall is likely to experience more bass response than one seated in the center of the room. After having located your speakers, you may find it advantageous to fine tune your listening position with this in mind.

If all of this suggests that installing your components in a listening room is an arduous task requiring many hours of experimentation, you can take some comfort in the fact that the effort expended will depend mainly on how fussy you are and how determined you are to get the most for the money you have invested in your system. The rewards can certainly justify the effort expended. A word to chronic "upgraders" who restlessly trade equipment for new models: If very similar problems occur with many different types of equipment, the problem you are chasing may well be in your room. ◊

POPULAR ELECTRONICS




SEE EVERY BEAT OF YOUR HEART.

Checking your heart rate is now as easy as grasping a glass of orange juice, thanks to the remarkable Insta-Pulse™ heart rate monitor from Biosig, Inc.


When held in your hands, it reads your heart rate function from the tiny electrical impulses in your finger tips. Insta-Pulse works on the same principle as a hospital electrocardiograph (EKG). Yet it weighs a mere 10 ounces, measures 11" × 1½" and is fully portable. It runs for up to one full year (over 100,000 readings) on a single 9-volt battery.

No waiting required.

Once Insta-Pulse is in your hands, its microcomputer chip begins to monitor every heart muscle contraction. And instantaneously translates that into heartbeats per minute—showing it with a bright, always changing LED display.

(Flash)  (beats per minute) . . .

(Flash)  (beats per minute) . . .

(Flash)  (beats per minute) . . . and so on.

As long as its nickel hand grips are between your fingers, pulse data continues; put Insta-Pulse down, and it turns itself off automatically.

Watch both heartbeats and heart rate patterns.

You're free to monitor your heart rate anywhere with Insta-Pulse. During a workout or after one. At home, at the gym or on the track.

Instantly, you will see how the most critical organ of your body responds to exertion. And how long it takes to return to its normal at-rest rate.

This picture of your heart recovering from activity is something you can never get with conventional pulse readings.

In seconds you can also see the effects of psychological stress, overeating, alcohol, caffeine and cigarettes. You'll learn just how valuable to your heart a short nap can be. Or check the benefits of a morning's meditation. Here, too, is an excellent tool for use in bio-feedback work; with practice, you can actually develop the ability to alter your heart rate—at will.

Not a toy. Not a toy's price.

The cost of Insta-Pulse through The Sharper Image is \$149.00. It's not the only heart rate monitor available to you for about that price. However, others

with their cumbersome clips and wires do not provide the accuracy of Insta-Pulse, the world's first instant heart rate monitor.

And it's shock resistant as well. Insta-Pulse contains no moving parts, is 100% solid state and its circuitry is shielded from damage by a thick, clear acrylic shell. A hand lanyard provides additional security. The battery is included.

Insta-Pulse comes with a ninety-day warranty from its manufacturer, and the Sharper Image's own guarantee of satisfaction: if you are not completely delighted with it, send it back within two weeks for a full refund.

Order an Insta-Pulse now, and watch your heart function as you never could before.

ORDER TOLL-FREE

Credit card holders may use our toll-free ordering number, below. Or send check for \$149.00 plus \$2.50 delivery. Add \$8.94 tax in California.

(800) 227-3436

In California
(800) 622-0733



THE SHARPER IMAGE™

260 California St., Dept. IP-049
San Francisco, CA 94111
(415) 788-4747
©1979 The Sharper Image

DSI HAS DONE IT AGAIN

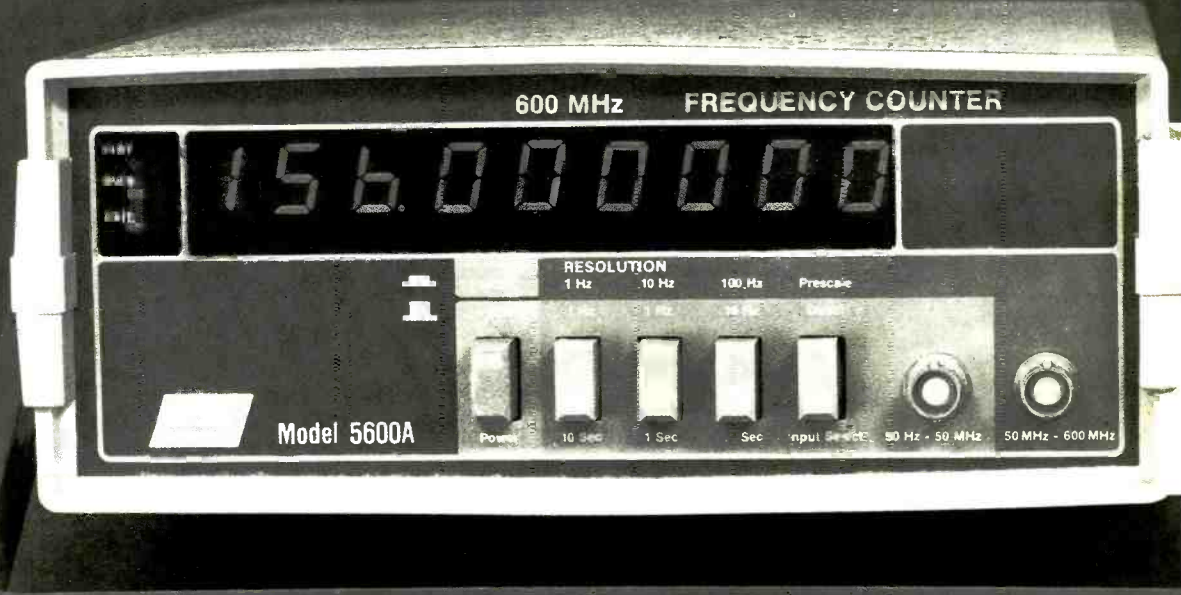
QUIK-KIT II®

INCLUDES PROPORTIONAL OVEN TIME BASE

- DC BATT-AC (W-AC9)
- 95% Factory Assembled
- 100% Factory Tested
- 2 PPM 10° to 40° C Accuracy
- 9 Digits 5 inch LED's
- 0.1 HZ Resolution
- Auto Zero Blanking

\$149⁹⁵

MODEL 5600A KIT



WHY BUY A 5600A: Because 95% of the assembly is completed by DSI and you are only one hour away from solving all those difficult bench problems, from setting the frequency of a audio signal to within 1/10 of a HZ, to checking the frequency of a 486 MHz mobile radio. Whether you are servicing a VTR, trouble shooting a PLL circuit, the 5600A is the right counter with accuracy that will meet any FCC land mobile, broadcast, or telecommunications requirements. On the bench or in the field the 5600A will do the job you need. The 5600A includes a self contained battery holder providing instant portability or we offer a 10 hour rechargeable battery pack option. Other options include a audio multiplier which allows you to resolve a 1/1000 of a HZ signal and finally a 25db preamplifier with an adjustable attenuator making the 5600A perfect for communications, TV servicing, industrial testing or meeting your QSO on the correct frequency every time.

FACTS ARE FACTS: With the introduction of the 5600A. The sun has on the competition. This may sound like a bold statement on the part of DSI. BUT FACTS ARE FACTS. No counter manufacturer except L offers a Full Range 50 HZ to 600 MHz counter with — 9 Digits — 0.1 resolution — 2 PPM 10° to 40° C proportional oven — RF pre-amp 600 MHz prescaler — three selectable gate times — oven ready, stand and gate time indicator lights as standard features — For only \$149.95 and \$179.95 factory wired. In fact the competition doesn't even close unless you consider \$200.00 to \$600.00 close. With DSI having best price to quality features ratio in the industry, no wonder we become one of the world's largest manufacturers of high quality frequency counter instrumentation.

**FOR INFORMATION — DEALER LOCATION — ORDERS — OEM
CALL 800-854-2049 CALIFORNIA RESIDENTS CALL 800-542-6253**

Model	Price	Frequency Range	Accuracy Over Temperature	Sensitivity			Number of Readouts	Size of Readouts	Power Requirements	Size		
				@ 100Hz-25MHz	@ 50-250MHz	@ 250-450MHz				H	W	D
5600A-K	\$149.95	50Hz-600MHz	Proportional Oven	10MV	10MV	50MV	9	5 inch	11.5 VAC or 8.2-14.5 VDC	3 1/4"	9 1/2"	9"
5600A-W	\$179.95		.2 PPM 10° - 40° C									
3550	99.95	50Hz-550MHz	TCXO	25MV	25MV	75MV	8	.5 inch	11.5 VAC or 8.2-14.5 VDC	2 1/2"	8"	5"
500HH	\$149.95	50Hz-550MHz	TCXO	25MV	20MV	75MV	8	.4 inch	11.5 VAC or 3.2-14.5 VDC or NICAD PAK.	1"	3 1/2"	5 1/4"

5600A wired factory burned in 1 year limited warranty. 5600A kit 90 day limited warranty. Prices and/or specifications subject to change without notice or obligation.

*With AC-9 Adaptor.

\$99⁹⁵



3550 OWNERS
You can add the 35P.2 .22 PPM 10° to 40° C proportional oven to your existing 3550

- T101 Ant. \$3.95
- AC-9 AC Adaptor 7.95
- 35P.2 29.95
- Factory Installed 49.95



DSI INSTRUMENTS, INC.
7924 Bonson Road
San Diego, California 92111

TERMS: MC - VISA - AE - Check - M.O. - COD in U.S. Funds. Please add 10% to a maximum of \$10.00 for shipping, handling and insurance. Orders outside of USA & Canada, please add \$20.00 addition to cover air shipment. California residents add 8% Sales Tax.

- 5600A Kit \$149.
- 5600A Wired 179.
- AC-9 AC Adaptor 7.
- T600 BNC Ant. 7.

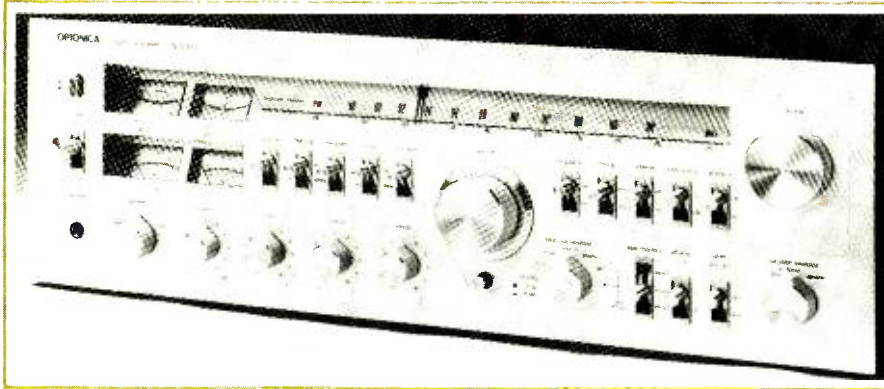
BUILT-IN OPTIONS

- BA56 Rechargeable 10 Hr. Bat. Pack 24.
- AM56 Audio Multiplier
- 1001Hz Resolution 34.
- PA56 25dB Preamplifier with Attenuator 59.

CIRCLE NO. 21 ON FREE INFORMATION CARD

www.americanradiohistory.com

Julian Hirsch Audio Reports



the high-powered Optonica Model SA-5901 AM/FM stereo receiver with "Opto Lock" tuning

each dc-coupled
power amplifier
has its own
power supply



Optonica's Model SA-5901 flexible high-performance AM/FM-stereo receiver is rated to

deliver 125 watts/channel into 8 ohms between 20 and 20,000 Hz, with THD at no more than 0.02%. Each of the receiver's dc-coupled power amplifiers has its own power supply, including separate power transformer; a third power supply operates the preamplifier and tuner sections.

An "Opto Lock" afc system that automatically disables when the TUNING knob is touched and locks the receiver to the tuned signal when released is featured in the FM tuner. A 400-Hz audio tone from a built-in oscillator (adjustable to match any FM modulation level from 20% to 80%) can be used to set the recording gain on a tape deck.

This is a large, heavy receiver, with a silver-colored control panel and black markings (the Model SA-5905 is

identical except that it has a black-colored control panel with silver markings). Overall size is 21 5/8"W × 16"D × 7 3/16"H (550 × 406 × 183 mm) and weight is 46.2 lb (21 kg). Suggested retail price is \$800.00.

General Description. In spite of its considerable size, the receiver's front panel is well filled with controls. Near the long slide-rule dial are two red LEDs that indicate when an FM STEREO signal is being received and when the OPTO LOCK system comes on. There are also separate tuning meters for center-channel tuning on FM only and relative signal strength on both AM and FM. The latter meter has a second scale, calibrated in FM modulation percentage, for use with a built-in "air check calibrator."

The large VOLUME control has 41 lightly detented positions. The BALANCE control is center-detented and the BASS, MID, and TREBLE tone controls each have 11 detented positions. When the MUTING switch is pressed in, the audio gain is reduced by 20 dB.

Operating the AIR CHECK CALIBRATOR switch replaces the tuner's audio with an internally generated 400-Hz tone, the level of which can be set by a knob on the rear apron of the receiver and is simultaneously indicated on

the MOD% scale of the signal-strength meter. There is a green pilot light that comes on when power is applied and changes to red when the protection circuits are actuated. There are also two meters that indicate the left- and right-channel output levels, based on 8-ohm loads, on logarithmic scales calibrated from 0.01 to 300 watts.

The SPEAKER selector switch permits control over three sets of speaker outputs, energizing them singly or in two pairs of two. Another position on the switch silences the speaker outputs for headphone listening via a front-panel PHONES jack.

Separate program and recording-output selectors are provided. The REC OUT switch can be set to connect the normal SOURCE program to the recording outputs, as is the case with all receivers and amplifiers. In addition, this control also has settings for AUX, TUNER, and PHONO, which connect these sources to the tape outputs, regardless of the receiver's program selection. Hence, you can record one program while listening to another. Additional switch settings permit you to cross-connect two tape decks for dubbing from one to the other.

Program selection for listening is accomplished with a knob control and two toggle switches. The control allows selection of AUX, TUNER, or PHONO input. Selection between FM and AM is made with a TUNER switch. In the PHONO setting, a different switch permits either of two identical magnet-

one program can be recorded while listening to another

ic phono cartridges to be connected to the input. Finally, a three-position TAPE MONITOR switch is provided for connecting either the SOURCE or the playback from either of two tape decks to the audio amplifiers.

On the rear apron are insulated binding posts for three sets of speaker systems and the antenna inputs, a pivoted ferrite-rod AM antenna, the vari-

ous source and tape jacks, and two accessory ac receptacles, one of which is switched.

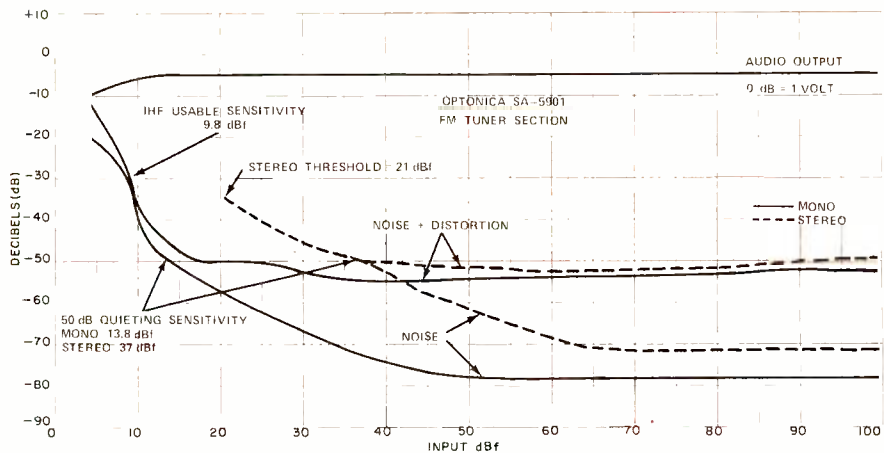
Considerable use is made of integrated circuits in this receiver. The FM tuner's i-f amplifier employs two ICs, one of which includes the detector functions, and a PLL multiplex IC is used for stereo decoding. The audio output amplifiers of the tuner are ICs, as are the audio tone-control amplifiers, output-power meter drivers, and the rather elaborate protection circuits for the output transistors.

Laboratory Measurements. Beginning with this test, we are making a slight change in our distortion measuring procedure. Instead of measuring IM distortion, which conveys little information not included in a harmonic distortion measurement, we will measure the 1000-Hz THD versus power output into load impedances of 2,4,8, and 16 ohms. This will reveal the capabilities (and limitations) of an amplifier when subjected to the unusually low impedances sometimes presented by certain speaker systems. Although some amplifiers will not operate into a 2- or even a 4-ohm load and will shut down or blow a fuse, we will attempt to make these measurements to the fullest extent possible with each amplifier or receiver. In addition to the differences in maximum available power with different load impedances, this measurement will reveal how distortion increases at all power levels when driving very low load impedances. The tests will be made, as before, with both channels driven simultaneously, and immediately following

phono equalization was extremely accurate, within ± 0.25 dB, 20-20,000 Hz

one hour of operation at one-third power and five minutes at full power.

Using the new test procedure, the SA-5901's clipping output was 150 watts/channel into 8 ohms, for an IHF clipping headroom of 0.8 dB. It was 100 and 113 watts into 4 and 16 ohms, respectively. The reduced power available into 4 ohms indicated that the amplifier's current capability would



Noise and sensitivity curves for FM section of receiver.

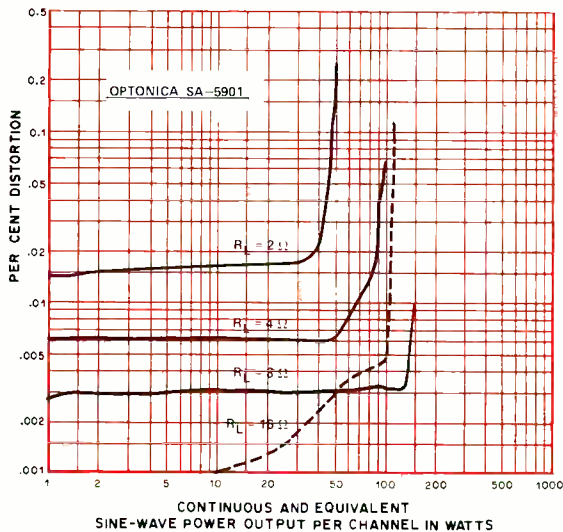
set an effective lower limit to its output into low-impedance loads. This was confirmed when we used 2-ohm loads. Although the protective circuit did not kick in, maximum output at 2 ohms was about 50 watts/channel, with a softly rounded waveform instead of the hard clipping that occurred with higher load impedances.

The 8-ohm IHF dynamic headroom was 2.36 dB, which corresponds to a short-term output of 215 watts.

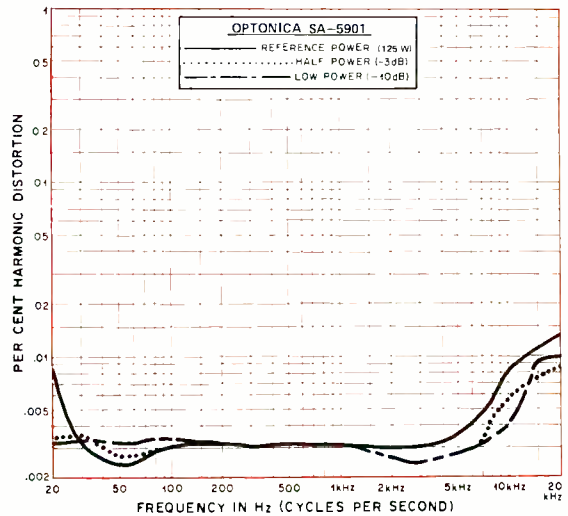
The 1000-Hz THD was very low and almost constant with power output. With 8-ohm loads, the THD was about 0.003% from 0.1 to 125 watts output and only 0.01% at 150 watts. Distortion with 4-ohm loads was

Performance Specifications

Specification	Rating	Measured
Continuous output power (8 ohms, 20-20,000 Hz)	125 W/ch at 0.02% THD	Confirmed
S/N (A-wtd, shorted, Ref: 1 watt)	59 dB phono 79 dB high level	77.4 dB phono 79.5 dB Aux (IHF std)
Input sensitivity (for 1 watt out)	0.22 mV phono 13.4 mV high level	0.21 mV phono 14 mV high level
Phono overload (1 kHz)	350 mV	420 mV
RIAA curve deviation	± 0.2 dB, 20-20000 Hz	Confirmed
Low-cut filter	30 Hz, 12 dB/octave	30 Hz, slope does not exceed 6 dB/oct in audio range
High-cut filter	7000 Hz, 6 dB/octave	Confirmed
FM Sensitivity (IHF)	9.8 dBf (1.7 μ V)	Confirmed
THD	0.1% mono 0.3% stereo	0.2% mono 0.22% stereo
Image rejection	95 dB	97 dB
AM suppression	60 dB	61 dB
Selectivity	80 dB	92 dB
S/N ratio	83 dB mono 75 dB stereo	78.5 dB mono 71.5 dB stereo
Capture ratio	1.2 dB	Not measurable (due to afc)
Stereo separation (1000 Hz)	45 dB	40.5 dB



1000-Hz THD, both channels driven, left measured.



Distortion with 8-ohm load for three power levels.

slightly greater, measuring 0.0063% or less up to 50 watts and 0.065% at 100 watts. Into 16 ohms, distortion was approximately the 0.001% residual of our test instruments up to 10 watts output and reached 0.0045% at 100 watts. As expected, a 2-ohm load resulted in a considerable increase in distortion, although it could hardly be called excessive. THD rose from 0.008% to 0.02% as the power increased from 0.1 to about 35 watts and reached 0.28% at 50 watts.

Distortion with 8-ohm loads was relatively independent of frequency as well as power output. It was typically about 0.003% from 20 to 5000 Hz and increased to 0.01% at 20,000 Hz. This occurred at all power levels from rated maximum down to one-tenth rated power, although at full power the 20-Hz distortion also rose slightly, to 0.008%. The IHF slew factor exceeded our measurement limit of 25.

The tone controls had a sliding bass turnover frequency and a hinged treble response. Together with the selectable turnover frequencies, the 11 settings for each control gave a nearly unlimited choice of response characteristics. The MID control had its greatest effect at about 1500 Hz, but its coverage was quite broad and at maximum or minimum settings it affected the response from 300 to 5000 Hz.

The loudness compensation boosted both low and high frequencies at low volume settings, but the amount of boost was moderate and the subjective effect was quite pleasing. The filters had gradual 6-dB/octave slopes and cut-off frequencies at about 30

and 6000 Hz. (The Low filter is rated to have a 12-dB/octave slope, but this was not attained down to our lower measurement limit of 20 Hz.) The RIAA phono equalization was extremely accurate, within the ± 0.25 -dB resolution of our test equipment, from 20 to 20,000 Hz. When the response was measured through the inductance of typical phono cartridges, the output was increased slightly but by no more than 1 dB at frequencies above 4000 Hz.

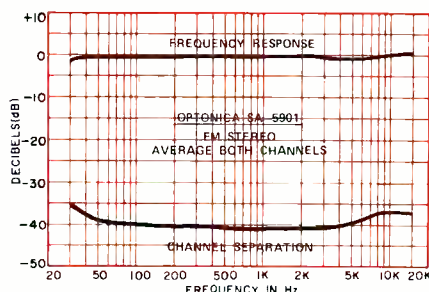
A 14-mV signal was required at the AUX input for a reference output of 1 watt at maximum gain. PHONO sensitivity was 0.21 mV for 1 watt, and the phono preamplifier overloaded at an extremely high input of more than 400 mV. The A-weighted signal-to-noise ratio, referred to 1 watt output under standard IHF test conditions, was 79.5 dB through the AUX and 77.4 dB through the PHONO inputs. The measured phono preamplifier input termination was 46,000 ohms in parallel with 220 pF.

In many respects, the FM tuner sec-

tion was as exceptional as the receiver's audio amplifiers. IHF usable sensitivity was 9.8 dBf (1.6 μ V) in mono, and stereo sensitivity was set by the switching threshold at 21 dBf (6 μ V). The 50-dB quieting sensitivity was 13.8 dBf (2.6 μ V) in mono, with 0.5% THD, while in stereo, it was 37 dBf (59 μ V), with 0.35% THD. The FM distortion at a 65 dBf (1000 μ V) input was 0.2% in mono and 0.22% in stereo, and the respective S/N readings were 78.5 and 71.5 dB.

The FM stereo frequency response was ± 0.7 dB from 30 to 15,000 Hz, and channel separation was about 40 dB over most of that range, reducing to 35 dB at 30 Hz and 37 dB at 15,000 Hz. The 19-kHz pilot carrier leakage into the audio was 68 dB below 100% modulation, and the tuner hum was -67 dB. The muting and stereo thresholds were approximately the same, at 21 dBf (6 μ V).

Capture ratio could not be measured reliably because of the non-defeatable AFC (except by holding the tuning knob, which was not practical during measurements). AM rejection was 61 dB at 45 dBf (100 μ V) input, and 65 dB at 65 dBf. Image rejection was exceptional at 97 dB, and alternate channel selectivity of 92 dB was one of the highest figures we have measured on a receiver (the adjacent channel selectivity of 3.7 dB was much more typical of present-day receivers and tuners). The only measurement made on the AM tuner section was of its frequency response, which was restricted even by the reduced standards of AM reception. It



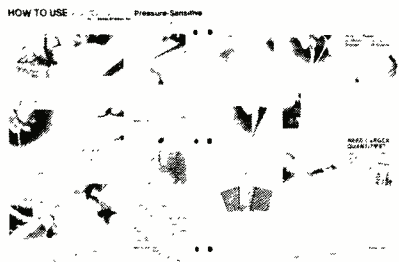
Averaged frequency response and crosstalk for both channels.

A UNIQUE NEW REVOLUTIONARY CONCEPT...

NOW Build Your Own Printed Circuit Boards Instantly With Unique New E-Z CIRCUIT™ Pressure-Sensitive COPPER Design Products!

Yes, thanks to this revolutionary new E-Z CIRCUIT concept, you can now make professional quality printed circuit boards in your own home or shop –

- ... without messy chemicals
- ... without artwork
- ... without photography
- ... without screening or etching



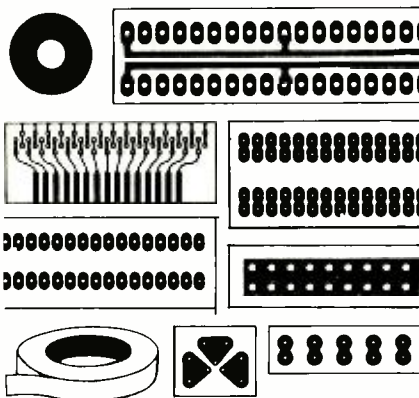
Unique E-Z CIRCUIT Technical Manual ... A "Gold Mine" of Usable, "How To" Techniques, Tips And Illustrations For Building Electronic Circuits At Home!

And the new E-Z CIRCUIT Technical Manual and Catalog leads you through each and every step with large, fully illustrated instructions written in clear, simple-to-understand language that make it easy for you to produce a professional quality, printed circuit board with electrical and mechanical characteristics that simulate those of etched "production house" PC boards.

Each of its 36 pages is packed with invaluable technical "how to" information that tells you:

- *How to build a PC board using pressure-sensitive copper*

- *How to repair existing, damaged circuitry*
- *How to create a PC board artwork*
- *How to solder professionally*
- *How to wire wrap using E-Z CIRCUIT's NC* Drilled & Pre-Shaped General Purpose Plug Boards, Terminal Pins & Wire*



The "Secret" to Building Instant PC Boards In Your Own Home or Shop!

Each E-Z CIRCUIT copper mounting configuration or connector pattern is made of super-thin, epoxy glass with a special two-phase, adhesive on one side, and a one-ounce copper pattern laminated on the other. When applied to your printed circuit board, these copper patterns work like the circuitry on a conventional *etched* printed circuit board. You solder the components directly to them.

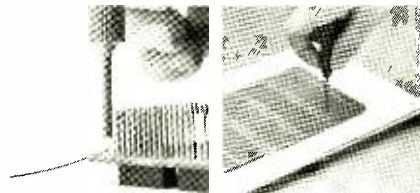
There's even pressure-sensitive copper tape and donut pads for conductor traces and single terminations applica-

tions, or mounting non-standard length axial lead components.



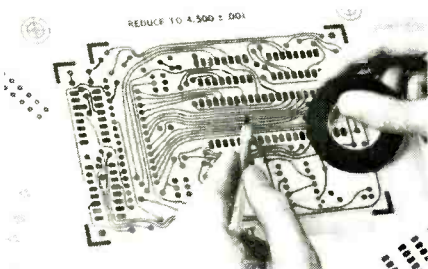
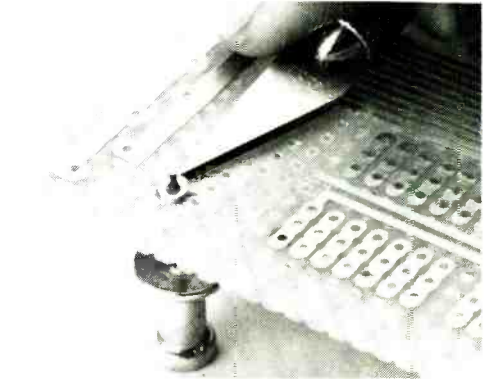
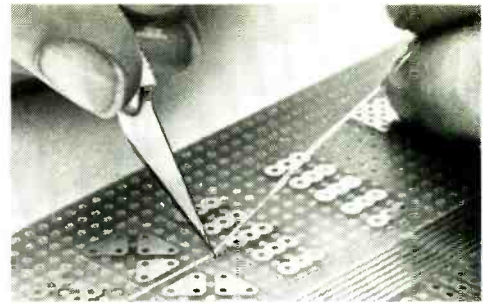
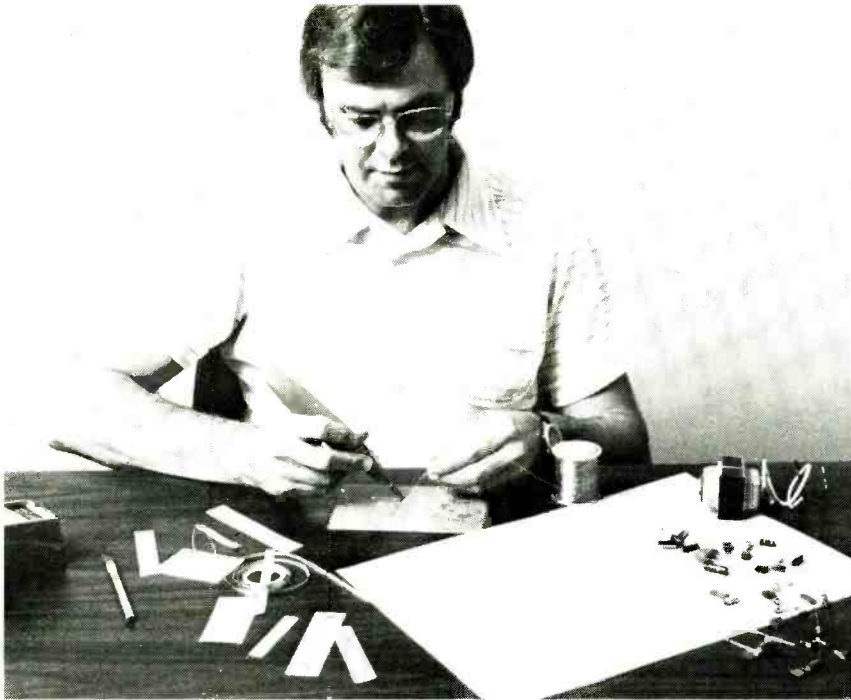
Use Them For Repairing And Modifying Existing Circuitry Too!

Besides creating an actual professional functioning circuit board, you can use these pressure-sensitive copper component mounting configurations, tape and donut pads to *repair* or *modify* existing circuitry.



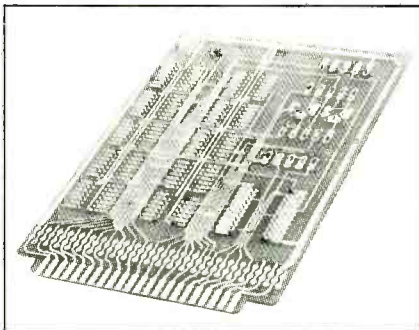
PREFER TO WIRE WRAP? You Can ... With E-Z CIRCUIT General Purpose Boards and Hardware!

With E-Z CIRCUIT NC* drilled, pre-shaped general purpose PC plug boards, DIP & SIP sockets, terminal pins, wire and accessories you can build PC boards using modern, professional wire wrapping methods. The E-Z CIRCUIT Technical Manual shows simple, step-by-step wire wrapping techniques.



**Need PC Drafting Aids?
... We Have Them Too!**

You can create PC boards by using quality E-Z CIRCUIT drafting aids by Bishop Graphics. E-Z CIRCUIT drafting aids meet the same stringent Printed Circuit industry specifications as the "professional" Bishop Graphics products.



You build a finished "professional quality" PC board instantly . . . without messy chemicals, artwork, screening etching or photography. Amazing new E-Z Circuit Technical Manual tells you how! Send Coupon Today!



**Informative
New Technical
Manual Shows
You How...
Send Coupon
Below Now
For Your Copy!**

To get your copy of this comprehensive & jam-packed Technical Manual and Catalog full of practical "how to" information on building circuit boards, contact the store manager at your local E-Z distributor . . . or send only \$1.00, plus 50¢ for postage and handling with the completed coupon below to:

E-Z CIRCUIT™
by Bishop Graphics, Inc.

P.O. Box 5007PE
Westlake Village,
CA 91359, U.S.A.

*Automated, Numerically Controlled (NC) drilling

E-Z CIRCUIT™ P.O. Box 5007PE • Westlake Village, CA 91359, U.S.A.
by Bishop Graphics, Inc.

Rush my copy of the new E-Z CIRCUIT™ Technical Manual & Catalog on how I can build my own PC board instantly right in my own home. I enclose \$1.00, plus 50¢ to cover postage and handling (no stamps, please).

Name (please print) _____

Street _____

City _____ State _____ Zip _____

was flat from 20 to 1000 Hz, but dropped to -6 dB at 2200 Hz.

The modulation percentage meter for the AIR CHECK CALIBRATOR was accurate, indicating 50% when the internal 400-Hz signal was set to equal the output from a 50% modulated FM signal. The audio power meters were acceptably accurate for their purpose, although they were calibrated at only 10-dB intervals. At most output levels, the meters indicated within 25% to 40% of the actual power, but there was not sufficient power available to produce a 100-watt indication on the meters. Meter response was rapid, with slow decay, so that the meters tended to follow dynamic program variations quite well.

User Comment. This impressive receiver manages to stand out from a field of generally very similar competitive products. Its audio-amplifier distortion levels are low by the most exacting standards. In fact, distortion cannot even be measured except with the most sophisticated laboratory instruments. Noise levels are very low, and phono overload is perhaps the highest of any receiver we have tested. Use of three entirely separate power supplies, regardless of audible benefits (about which we have reservations), certainly indicates a "no holds barred" approach to design.

FM tuner performance ranged from

a distinctive product inside and out as well as in performance quality

good to outstanding. Alternate-channel selectivity and image rejection, in particular, were far better than the norm, even for top-end receivers. Stereo channel separation was exceptionally uniform across the entire audio range. Separation was comfortably greater than that of any program source or the FM station. Unfortunately, the AM tuner sounded even more muffled than most.

It is in its operating controls and overall versatility that the SA-5901 really excels. All controls operated with an ideal tactile quality and a feeling of precision. We also appreciate the thought that went into the control layout, including designing the switches so that with all toggles up, the receiver is in a more or less "normal" or neutral operating condition. (With some fourteen switches that is not an insignificant accomplishment.)

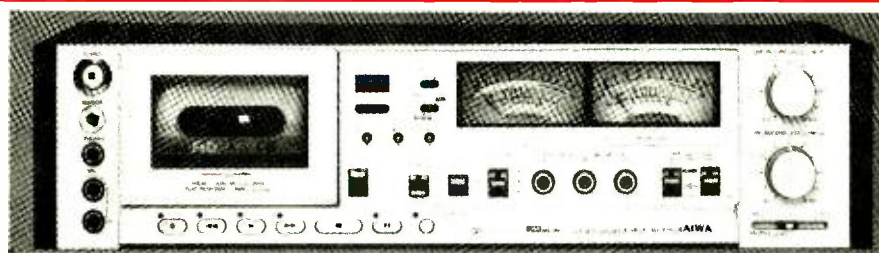
An interesting sidelight is the use of relays to switch the speaker systems so that the front panel switch merely operates a low-level circuit. (The click

of the relays is muted to the point where one might not be aware of their presence when this switch is operated.) The separate recording and listening program selectors, though not unique to Optonica, are still rare among receivers and amplifiers. In our view this is a highly desirable feature. The AIR CHECK CALIBRATION feature is also a worthwhile convenience for anyone who makes cassette recordings from FM broadcasts, since the recording level can be preset with assurance that no program peaks will exceed the recorder's dynamic range.

The Opto Lock afc system worked well. It removed the last trace of critical tuning from the handling of the receiver. From our experience with the SA-5901, we would say that there is no way one can tune in an FM station with it and get less than the full performance of which the receiver is capable. Exactly the opposite is true of most receivers we have used; there is almost no way one can achieve the same results we obtain in the laboratory in normal use.

All in all, we found the Optonica Model SA-5901 to be one of the more interesting receivers we have used. Although most receivers in a given price range tend to be more alike than different, the SA-5901 remains a distinctive product, inside and out, as well as in performance quality.

CIRCLE NO. 101 ON FREE INFORMATION CARD



Aiwa Model AD-6900 cassette deck with variable bias

deck is controlled by solenoids through a sophisticated logic system. An optional remote-control accessory duplicates the functions of the front-panel control buttons. Recorder operation can also be controlled by certain Aiwa record players to make the deck go into record mode when a disc is being played and pause when the disc stops.

The deck measures 17 $\frac{3}{4}$ "W \times 13"D \times 4 $\frac{3}{4}$ "H (451 \times 330 \times 121 mm) and weighs 20.9 lb (9.5 kg). Optional wooden side panels and rack-mounting handles are available. Suggested retail price is \$850.00.

General Description. Most of the deck's controls are conventional, but there are a couple of departures from usual practice. For example, the rewind and fast-forward buttons are labelled REW/REVIEW and F.FWD/CUE, respectively. Touching either button



The premier feature of Aiwa's deluxe new Model AD-6900 cassette deck is a simple,

effective means for optimizing bias and recording levels for virtually any tape formulation without external instruments or technical skills. Operation of the front-loading, three-head

while the tape is at normal play will move the tape rapidly (at half the usual fast speed) in the indicated direction for as long as the button is pressed. Releasing the button instantly restores normal operation. During "cueing," the tape is close enough to the playback head that a high-pitched sound is heard when a recorded section of tape passes.

For normal rewind and fast-forward operation, the STOP button must be pressed first. After this, the rewind or fast forward button need be touched only momentarily to place the tape into high speed motion, with no sound heard from the outputs. If either cueing button is touched while the deck is recording, operation automatically goes to PLAY and continues in that mode when the button is released. LEDs indicate the selected mode.

"peak hold" causes meter pointers to remain at highest levels

Another unconventional control is the REC MUTE/MUTING TIME COUNTER. Pressing and holding this button causes the deck to operate in the record mode, but the incoming signal is silenced and a red LED near the button blinks once per second. This facilitates timing an editing deletion while making a recording.

Standard phone jacks are provided on the front panel for microphones, headphone, and a LINE IN connection. Plugging a source into the last replaces the rear LINE IN signals with that from the front panel. This simplifies dubbing from another tape deck or high-level source, without disturbing normal system wiring.

The deck has a MEMORY rewind function that can be set to either stop the tape or to automatically put it into PLAY when the counter reaches 000 in rewind. The recorder can also be controlled by an external timer switch in its power-line circuit; a switch enables it to go into playback or record mode automatically when power is applied.

The front panel is dominated by two large illuminated meters. Each is actually two meters, with dual movements, pointers, and scales. The shorter black pointer gives conventional VU



Frequency responses at 0 and -20 dB for three different tape types.

levels. The longer red pointer shows PEAK levels of as little as 10 ms duration and has a slower decay time of 1.5 seconds. The VU scale range is from -20 to +5 dB, while the PEAK range is from -50 to +10 dB. The two types of meter indications can be switched on separately. A button labelled PEAK HOLD freezes the PEAK meter pointers at their highest attained levels for at least 30 minutes.

Bias and equalization for the three basic tape types are selected separately by two small lever switches. The switches are labelled LH (normal ferric-oxide tapes), FeCr (for ferrichrome tapes), and CrO₂ (for either CrO₂ or high-performance ferric tapes that require high bias and 70-

microsecond playback equalization.) Since individual tape brands within each category differ somewhat in their exact bias requirements and output levels, vernier controls are provided for each setting of the BIAS switch. Concentric with each control is a screw-driver-adjust control for setting recording level for that particular type of tape to give a standard Dolby-level output from the built-in oscillator.

Other front-panel controls provide for monitoring from either the SOURCE or the TAPE playback signal and control the Dolby system. The latter contains the usual filter to prevent FM pilot carrier leakage from affecting the frequency-sensing circuits.

The tape transport of the AD-6900

Performance Specifications

Specification	Rating	Measured
Frequency response		
LH (Maxwell UD-XL I)	25-14,000 Hz (+2/-3 dB)	25-19,000 Hz ±3 dB
FeCr (Sony FeCr)	25-18,000 Hz (+2/-3 dB)	25-20,000 Hz ±3 dB
CrO ₂ (TDK SA)	25-17,000 Hz (+2/-3 dB)	25-20,000 Hz +1/-3 dB
S/N ratio	68 dB (FeCr, Dolby)	63.5 dB LH 63.5 dB CrO ₂ 62 dB FeCr
Distortion	0.9% (FeCr, 400 Hz)	0.56% (CrO ₂ , 1 kHz) 0.71% (LH, 1 kHz) 1.3% (FeCr, 1 kHz)
Wow & flutter	0.04% (wrms)	0.04% (wrms) ±0.07% (CCIR)
Rewind/fast forward time (C-60)	65 seconds	62 seconds
Input sensitivity	Mic: 0.25 mV Line: 75 mV	0.18 mV 50 mV
Input impedance	Mic: 200-10,000 ohms Line: over 50 kilohms	Not checked Not checked
Line output	0.41 V/0 VU	0.38-0.48 V/0 VU (depends on tape)
Bias/erase frequency	105 kHz	

uses separate motors for driving the capstan and tape hubs, with the hub drive operating at normal tape speeds to provide the correct tape tension and winding torque. In the fast speeds, it alone moves the tape. The goal of this tape transport design was to provide the low flutter of a closed-

playback head minimizes head-contour effects

loop dual-capstan drive in a lower-cost mechanism. The capstan is driven by a frequency-generator-feedback-stabilized dc motor.

Laboratory Measurements. According to Aiwa, the AD-6900 had been set at the factory for Maxell UD-XL I (LH), Sony Ferrichrome (FeCr), and TDK SA (CrO₂) tapes, which we used for our measurements. We also checked the record/playback frequency response with several other tapes to verify the effectiveness of the bias adjustment system.

Playback equalization was first checked with TDK AC-337 (120- μ s) and Teac 116SP (70- μ s) test tapes. The output at 120 μ s (ferric EQ) varied only +1/-1.5 dB from 40 to 12,500 Hz. The response at 70 μ s (chrome EQ) was +0.5/-1.5 dB from 40 to 8,000 Hz, but fell off to -5 dB at 10,000 Hz.

Overall record/playback frequency response with UD-XL I was flat within ± 3 dB from 25 to 19,000 Hz at a -20-dB level. Response at a 0-dB recording level was within ± 1.5 dB from 28 to 9500 Hz, which is unusually good for a cassette recorder. It fell below the -20-dB curve above 13,000 Hz. Sony FeCr tape gave a similar response but with a slightly more extended high-frequency output, varying ± 3 dB from 25 to beyond 20,000 Hz. Its 0-dB recording level crossed the -20-dB curve at 15,500 Hz. Flattest overall response was measured with TDK SA tape—within +1/-3 dB from 25 to 20,000 Hz, also with a 15,500-Hz intersection of the 0-dB and -20-dB response curves. Almost identical results were obtained with Memorex High Bias and Maxell UD-XL II (CrO₂) and with

TDK AD (LH). The TDK AD had noticeably less high frequency peaking, with a +1/-2-dB response from 27 to 17,000 Hz.

The Dolby circuits tracked well at all signal levels, probably due in part to the matching of the output level of each tape to Dolby requirements. There was never more than a 2-dB change in response at any frequency up to 16,000 Hz at levels from -20 to -40 dB when the Dolby system was switched in and out. The multiplex filter cut in sharply above 16,000 Hz, reducing the response at 19 kHz by at least 20 dB. The playback head is specially designed to minimize low-frequency-response irregularities, and our tests revealed relatively little response fluctuation due to head-contour effects.

For a 0-dB recording level, the line inputs required a 50-mV signal at 1000 Hz at maximum sensitivity, and the microphone inputs required 0.18 mV. The microphone preamplifier stage overloaded at 50 mV, a fairly safe figure. Playback output from a 0-dB recorded signal was about 0.4 volt with TDK SA and Sony FeCr and 0.48 volt with UD-XL I. Third-harmonic distortion in a 0-dB playback signal was 0.56% with SA, 0.71% with UD-XL I, and 1.3% with FeCr. Respective input levels required for 3% playback distortion were +7, +7, and +4.5 dB.

Unweighted signal-to-noise (S/N) ratios, referred to the 3% distortion levels, were not outstanding. They ranged from 42 to 39.5 dB. With A-weighting, these figures improved considerably, to about 57 dB for SA and UD-XL I tapes and 54.7 dB for FeCr tape. With the Dolby system in use and CCIR/ARM weighting, S/N was 63.5 dB from the first two tapes and 62 dB with FeCr tape. At maximum gain through the microphone input, the noise level increased by 11.7 dB; but at normal gain settings, the increase was much less.

Calibration of the Dolby levels on the meters was exact. When set to the VU operating mode, the meters were much more heavily damped than true VU meters, which should indicate 99% to 101% of a steady-state signal level when driven by 0.3-second tone bursts of 1000 Hz at a 1-Hz repetition rate. Aiwa's meters indicated about 60% of steady-state values in this test. However, the PEAK meters gave exactly the same indications for continuous and burst signals.

Flutter was measured with TDK AC-342 and Aiwa test tapes, which gave similar results and confirmed the impressive claims made for the transport mechanism. JIS (weighted rms) flutter was 0.038% to 0.04%, and CCIR (weighted peak) flutter was +0.07% at the beginning of the test cassette. At the end of the cassette, JIS flutter had gone up slightly to 0.045%. Tape speed was 0.1% to 0.2% slow at the beginning of these tapes and 0.4% slow at the end. On a combined record/playback flutter measurement, readings were higher, as would be expected. They were 0.07% JIS and $\pm 0.12\%$ CCIR. In the fast speeds, the deck wound through a C-60 cassette in 62 seconds.

User Comment. The deck operated with a smooth, positive action and freedom from "bugs" or idiosyncrasies. There was a slight "clunk" from the solenoids as they operated, but the buttons themselves required almost no activating pressure, and the control logic appeared to be as fool-proof as claimed. The EJECT lever, for example, can safely be pressed while the tape is in any mode, including fast winding.

The dual meters are certainly an effective means of setting up a cassette deck for full-fidelity recording. Using the PEAK HOLD feature, one can determine the maximum input level of the loudest passage of a program.

The tape adjustment system worked as claimed, in less time than it takes to describe it, and made frequency response essentially independent of the tape used. The small remaining response differences between tapes are mostly at frequencies beyond 10,000 Hz and are relatively

frequency response is essentially independent of tape type

subtle in their audible effects. Actually, the audible differences between tapes are more likely to result from differences in noise and distortion levels and in high-frequency saturation characteristics. This was demonstrated when we recorded white noise (FM hiss) and compared the source and

playback signals. With any of the tapes used, it was possible to make a nearly perfect recording of the noise at some level between -20 and 0 dB. However, reducing the level increased the extreme high-frequency response slightly while increasing the

level reduced the highs slightly.

Our conclusion from these tests was that the AD-6900, used with any good-quality tape, can make recordings from FM radio or records without any audible difference between source and playback signals. This is

about all one can expect from any cassette deck. The flutter in particular—as low as we have ever measured on a cassette deck—speaks eloquently for the construction of the AD-6900, as well as its design.

CIRCLE NO. 102 ON FREE INFORMATION CARD



Omnidirectional floor-standing Ohm I speaker system



THE Ohm I is a four-way speaker system that employs five drivers to give nearly omni-

nidirectional radiation in the horizontal plane. This moderately large floor-standing unit has a slightly tapered cross section. Most of its audible output is radiated by three top-mounted upward-facing drivers that cover the entire range from 100 Hz to the limit of audibility.

On the front of the system are a "subwoofer" that operates at frequencies below 100 Hz and a "supertweeter" that is identical to the one on the top and effective principally above 10,000 Hz. The subwoofer and woofer are in separate vented enclosures, whose ducted ports open to the front of the cabinet.

Rated impedance is 4 to 8 ohms. The walnut cabinet has removable black cloth grilles on top and front.

Size is 34½" H × 15½" square (876 × 394 × 394 mm) at the base, tapering to 13" square (330 × 330 mm) at the top. Weight is about 80 lb (36.4 kg). Suggested retail price is \$650.

General Description. The Ohm I drivers were specifically designed for this system and, except for the subwoofer, have magnetic fluid cooling for their voice coils. The 12" (305-mm) subwoofer, whose enclosure occupies much of the cabinet volume, is vented through a 5" (127-mm) diame-

means are provided
to drive the
subwoofer alone
for biamplication

ter ducted port. The woofer, which operates from 100 to 2000 Hz, is an upward facing 8" (203-mm) cone driver, with its separate enclosure volume also vented forward through a 4½" (114-mm) diameter ducted port.

On the top surface, near the woofer, is a 1½" (38-mm) cloth dome tweeter that radiates upward for maximum dispersion in its frequency range of 2000 to 10,000 Hz. A 1" (25.8-mm) cloth dome supertweeter near it operates above 10,000 Hz. To help overcome the increased absorption of the very high frequencies by ceilings and room furnishings, the super-tweeter is augmented by an identical front-radiating driver.

Also, on the system's top surface are four three-position switches for separately adjusting the levels of the midbass driver, tweeter, and each supertweeter. Each switch can reduce the level of its driver by either 3 or 6 dB. Means are provided for driving the subwoofer separately, should biamplication operation be desired.

Laboratory Measurements. The close-miked response of the two bass drivers was flat within ±2.5 dB from 35 to 1000 Hz, but the reverberent field measurement of the middle- and high-frequency response of the system revealed an apparent discontinuity in level between 1000 and 1500 Hz. The output dropped about 5 dB at that point and then rose smoothly with increasing frequency to a maximum at about 12,000 Hz before it fell off slightly at higher frequencies. These measurements were made with all level switches set to 0 dB (maximum output).

The MID-BASS switch affected the response between 200 and 2000 Hz, with a maximum reduction of 4 to 5 dB over much of that range. The LOW TWEETER switch had very little apparent effect, but the HIGH TWEETER switch reduced the output by as much as 6 dB at most frequencies above 4500 Hz.

GIANT SCREEN
T.V. BY
KOLORAMA



Ask Yourself . . . Would
You Pay \$4,000 For A
One-Piece Projection TV
When You Can Get Ours
For Less Than \$2,000?

Exclusive

- Fast computer designed F1.3 — 9" Fresnel lens with a 12" focal length.
- Walnut Finish Cabinet
- Compact and easily portable
- Twin Speaker System
- Remote available
- Quality inspected
- 50" Screen
- 67" Screen
- Screen is washable and damage resistant

OTHER MODELS PRICED FROM \$995.00 AND UP

(Limited Dealerships Available)

Distributed by

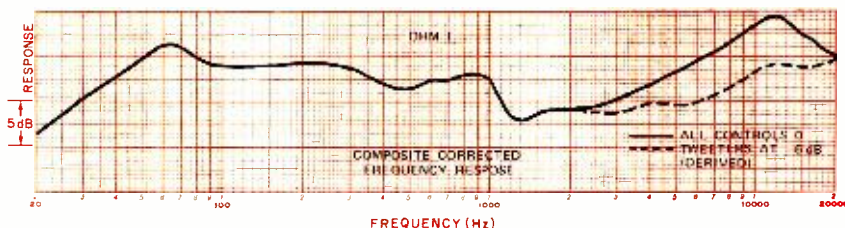
TEXAS WHOLESALE ELECTRONICS

A DIVISION OF BURKE INDUSTRIES, INC.

4303 Bryan Street
DALLAS, TEXAS 75204 (214) 824-9204

NAME/TITLE _____
COMPANY _____
ADDRESS _____
CITY _____ STATE _____ ZIP _____
PHONE (____) _____

CIRCLE NO. 63 ON FREE INFORMATION CARD



Composite corrected frequency response.

distortion was typically 1% or less from 45 to 100 Hz

When we spliced our two sets of data to form a composite frequency response, the resulting curve was ± 6 dB from 24 to 20,000 Hz. By setting the tweeter level switches to -6 dB, the overall response variation could be reduced to ± 4 dB over the same frequency range. System impedance reached its minimum of 3 ohms in the octave between 10,000 and 20,000 Hz, but was above 4 ohms below 5000 Hz. The maximum impedance was about 22 ohms at 52 Hz.

Despite its ported woofer and sub-woofer systems, the Ohm I is relatively inefficient. With 2.83 volts of random noise in the 1000-Hz octave applied to it, the sound pressure level (SPL) was 84 dB at a distance of 1 meter from the upper front edge of the cabinet. This is comparable to typical acoustic-suspension speaker systems. If the tweeter levels are reduced to yield a flatter response curve, the efficiency goes lower still.

Tone-burst response of the system was good. Bass distortion, measured close to the cones of the woofer and subwoofer and to their port openings, was typically about 1% or less from 45 to 100 Hz. This was true whether we drove the system at 1- or 10-watt levels. (Our figures are based on an 8-ohm impedance, which is roughly correct for that frequency range.) At 1 watt, distortion rose to about 4% at 30 Hz and 5% at 25 Hz. At 10 watts the 30-Hz distortion was about 6%.

User Comment. For most practical purposes, the Ohm I can be considered omnidirectional in the horizontal plane. The front firing supertweeter

contributes little to its audible sound, and the subwoofer is essentially omnidirectional. "Omni" speakers are dependent on room characteristics for their sound quality, and the level switches offer dozens of possibilities for altering system response. These factors make it especially difficult to generalize about the performance of the Ohm I, just on the basis of tests and use in a single environment.

Position in the room makes little or no difference in the sonic balance of the Ohm I. Although the system certainly delivers a full frequency range response, we usually found the sound rather dry and lacking in "warmth." At times we found it to be almost clinical in detail and often preferred to listen with the tweeter switches set to -3 or even -6 dB. At other times, and with different programs, we preferred to keep all switches at maximum. The

position in the room makes little difference in sonic balance

measured midrange response irregularity was not readily identifiable in the sound.

Summing up, the wide-range, omnidirectional Ohm I speaker system is capable of producing a smooth, clean sound throughout typical listening rooms, especially if one is willing to devote the time and effort to adjust its levels carefully. Rugged and relatively inefficient, it requires (and can handle) large amounts of power (from an amplifier than can handle the 3-ohm impedance of its topmost octave) if its qualities are to be fully enjoyed. On a wide variety of music, the system gave a fine sense of detail and better than adequate dynamic range.

CIRCLE NO. 103 ON FREE INFORMATION CARD

POPULAR ELECTRONICS

Build it YOURSELF and SAVE! Find out how

in this big, new

FREE

HEATHKIT® CATALOG



400 easy-to-build electronic kits, like the latest in personal computing systems (including floppy disk storage), ham radio gear, audio components, television, power supplies, oscilloscopes, frequency counters, VTVM's, VOM's and DMM's, electronic clocks and weather instruments, auto, fishing, marine and aircraft accessories and learn-at-home electronics programs.

Heath electronic kits represent the newest advances in technology... the quality that Heath Company has meant for over 50 years... and the best values!

Heath electronic kits are easy, fun projects... an activity the whole family can enjoy.



Auto-Ranging Multimeter



All-In-One Computer



Car Clock/Timer



Hand-Held Multimeter



Digital Weather Station



Educational Programs



Pro-Series Audio



One-Button Phone Dialer

Heath won't let you fail... illustrated step-by-step instructions guide you from unpacking the kit to final plug-in, detailed explanations that tell you how your kit works from the inside out and expert technical assistance, by mail or telephone, if you have any questions or problems.

Learn more about the satisfying hobby of kitbuilding... send for your free catalog today! It's the best way we know to see the world's largest selection of quality electronic kits!

Mail the coupon today for your copy

If coupon is missing, write:
Heath Company, Dept. 010-570, Benton Harbor, MI 49022

This coupon also redeemable at the 55 Heathkit Electronic Centers nationwide (Units of Schlumberger Products Corporation), where Heathkit products are displayed, sold and serviced. See your telephone directory white pages.

HEATH Heath Company, Dept. 010-570
Schlumberger Benton Harbor, MI 49022

Please send me my FREE Heathkit Catalog.
I am not currently receiving your catalogs.

Name _____

Address _____

City _____ State _____

CL-710 Zip _____

FREE
CATALOG

YOUR SECOND CHANCE

**Think of it! A fully accredited college degree
in electronics by studying at home.**

At 18, things looked different

You remember—the most important thing was to get started working. Enough of books and classes! You wanted to make money. Maybe you had responsibilities. A family to take care of. Any further education would just have to wait.

But then you started noticing something: the guys with diplomas were getting first crack at good jobs and promotions. You were losing out. And it hurt.

Now you know: a degree opens doors

Government, defense contractors, large companies—they want good electronics and electrical specialists. But they also want credentials. A degree. Fortunately, even if you're working it's not too late to get one.

You don't have to commute, quit your job, conform to a class schedule

The Center for Degree Studies offers Associate in Specialized Technology degrees in electronics technology and electrical engineering technology.

These are no ordinary degree studies. Using guided independent study, a concept pioneered by ICS in 1890, you work at your own place and pace. No commuting to classes, no classroom pressures. You'll be supplied with clear, fully illustrated study materials including practice problems, quizzes and exams to evaluate your progress. In the final semester you'll have two weeks of on-campus training at a leading engineering college or university.

You'll also receive valuable instruments and equipment when required, to make your course come alive. Equipment you can keep on using on the job.

Help is just a toll-free call away

You can call CDS/ICS from anywhere in the U.S. or Canada except Alaska and Hawaii, using our special toll-free Dial-A-Question® service.

CDS accreditation make your degree impressive

The Center for Degree Studies has been accredited by the Commission on Higher Education, Middle States Association of Colleges and Schools. This is the same body responsible for accrediting traditional colleges and universities of the Middle States region, including some of the nation's leading schools. So your degree from CDS means a great deal.

But maybe a degree isn't your goal. If you want career training that can help you move ahead in the exciting electronics/electrical field, ICS is the place to get it. Of course, no school can guarantee you a better job. But ICS can give you the first-rate training you need in areas like appliance servicing, TV servicing and repair, electronics, electrical contracting and more.

Here's what some of our students say:

"My rotating shifts and three children made it impossible to get a degree the usual way. I did it at home through the Center for Degree Studies."

Frank Jones, Jr., East Brunswick, NJ

"I started putting my knowledge to the test after only two months of training. I now have as many repair jobs as I can handle and quite a few satisfied customers."

Richard Stratton, Mastic, NY

See what it's all about ... free

Just mail the coupon or card and we'll send you a catalog that includes a sample lesson and examination. Do it now. Don't let this second chance slip by.

Free facts about your electronics/electrical degree.

Mail to CDS/ICS Independent Study Programs, Scranton, PA 18515. There's no obligation and no salesman will call.

I want to know more about degree studies and career training in the electronics/electrical field.

XA229J

Name _____

Address _____

City, State, ZIP _____

Send me information about career training in the following fields:

- | | |
|---|--|
| <input type="checkbox"/> Electrical Motor Repair | <input type="checkbox"/> Color Television Theory and Troubleshooting |
| <input type="checkbox"/> Electrical Appliance Servicing | <input type="checkbox"/> Electronics |
| <input type="checkbox"/> Electrical Contractor | <input type="checkbox"/> Electronics Fundamentals |
| <input type="checkbox"/> Electrical Engineering | <input type="checkbox"/> AST Degree in Electronics Technology CDS—First Semester |
| <input type="checkbox"/> AST Degree in Electrical Engineering | <input type="checkbox"/> Electrical Troubleshooting Techniques |
| <input type="checkbox"/> Electrical Fundamentals | <input type="checkbox"/> Fundamentals of Electronics Communications |
| <input type="checkbox"/> Electrician | <input type="checkbox"/> Stereo Receiver & Component Troubleshooting |
| <input type="checkbox"/> How to Install Electrical Wiring | <input type="checkbox"/> Television Servicing |
| <input type="checkbox"/> Industrial Electrical Technician | |
| <input type="checkbox"/> Reading Electrical Blueprints | |
| <input type="checkbox"/> Servicing Electrical Appliances | |
| <input type="checkbox"/> Basic Electricity for Electronics | |

CDS/ICS



Technics

Power. With distortion so low it's inaudible. That's not surprising. It's Technics. Look at the chart. That's Technics too. Surprisingly good performance that comes as no surprise.

Stereo Receivers	Min. RMS Power Per Channel into 8 Ohms from 20Hz-20kHz	Total Harmonic Distortion at Rated Power (Max.)	FM Sensitivity Stereo—50dB*	Phono S/N (10mV IHFA)
SA-1000	330 watts	0.03%	36.2 dB μ V	97dB
SA-800	125 watts	0.04%	36.2 dB μ V	95dB
SA-700	100 watts	0.04%	36.2 dB μ V	95dB
SA-600	70 watts	0.04%	37.2 dB μ V	90dB
SA-500	55 watts	0.04%	37.2 dB μ V	90dB

* I-F 75 standard

Of course, you expect the unexpected from Technics, and with Acoustic Control that's just what you get. With the low-boost switch and the bass control, you can add more punch to bass instruments. While the treble high-boost switch brings out the brilliance in both vocals and instrumentals.

Still, Acoustic Control is just one of many reasons to buy a Technics receiver. Clean and stable amplification, even under the most demanding dynamic conditions, is another. Especially since each Technics receiver has direct coupling, conservatively rated power supply capacitors, current mirror loading and single-packaged matched dual transistors.

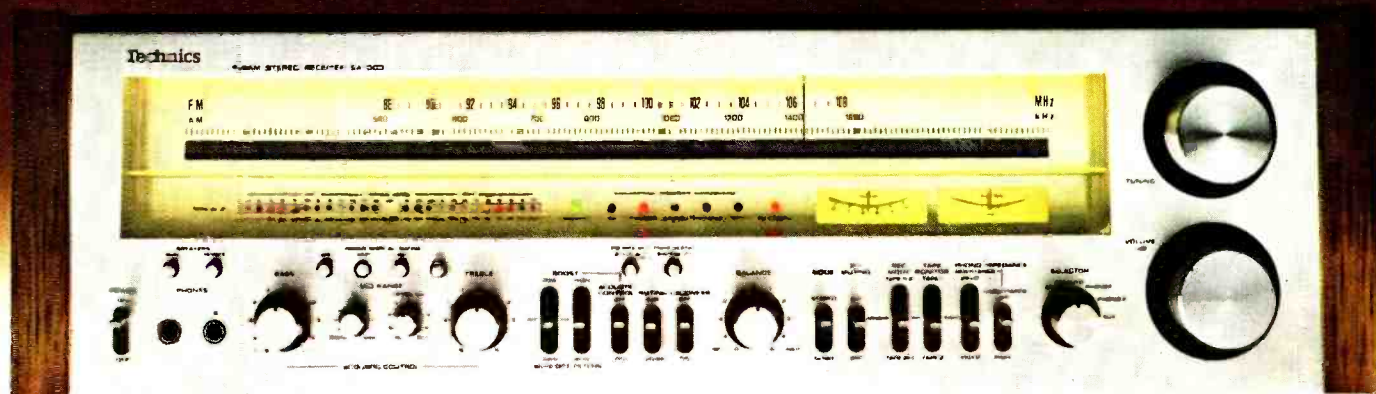
To avoid clipping and maintain dynamic range, you'll want to keep an eye on what your ears can hear. And with our highly accurate power meters, you can. LED's provide peak power indication with extremely fast attack time.



For outstanding performance on FM, even from an overcrowded band or a marginal signal, every Technics receiver has Phase Locked Loop IC's, flat-group delay filters and a frequency response that's both flat and wide.

Audition any of Technics five receivers. If their big power and little distortion don't surprise you, their LED meters and Acoustic Control will. Cabinetry's simulated woodgrain.

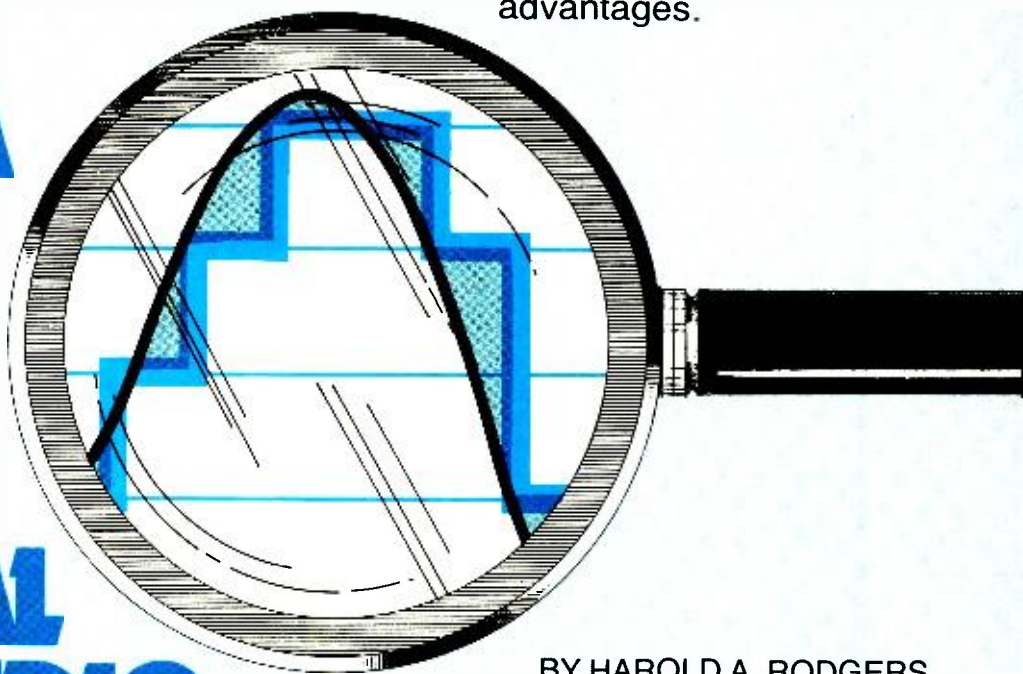
Only 5 receivers combine big power, little distortion, LED meters and Acoustic Control. Technics makes them all.



CIRCLE NO. 61 ON FREE INFORMATION CARD

Digital technology can offer a substantial improvement in audio reproduction. PE editors weigh its advantages.

A CLOSE LOOK AT DIGITAL AUDIO



BY HAROLD A. RODGERS
Senior Editor
with LESLIE SOLOMON
Technical Director

THE TELEGRAPH embodies many of the advantages to be found in digital transmission of information. Since all telegraph information is transmitted as a series of pulses, the linearity and signal-to-noise ratio of the system need only be good enough to allow the receiver to determine the presence or absence of a pulse. As payment for these advantages, we must accept the necessity of translating messages that do not in general originate in digital form (and cannot be used that way) at the input and output of the communications channel. Bandwidth of the channel is a key factor too, for it determines how fast the information can be sent.

Application of digital pulses to the high-fidelity reproduction of music is a fairly new development, largely because it is only recently that hardware with the capability of handling in real time the prodigious amounts of digital data necessary to represent a music signal have become reasonable in price. A large part of the technological development necessary to accomplish this was won through

solving problems involved in remote telemetry from spacecraft. Probably the earliest samples of digital audio to be widely heard were the voices of Apollo astronauts as relayed back from space.

How Does It Work? Basically, a digital data-handling system must consist of at least three modules: an input section that handles analog data and translates it to digital code, a transmission channel (with or without a storage device), and an output section that reconverts the data to analog form and routes it to its destination. When dealing with sound, the original data is a continuous waveform that represents variations of air pressure as a function of time. Since it seems, at first glance, that a continuous signal can be chopped into infinitesimally fine segments, it is not clear how digital code limited to a finite number of elements might represent it.

Modern communication theory has shown that if the analog channel is band-limited to some maximum frequency, f , and sampled at a rate of $2f$ sam-

ples per second or more, the original signal can be reconstructed with no loss whatever. The band limitation is severe, however, and therefore places rigorous demands on whatever filter is used to realize it. This is particularly true when, in order to minimize cost, the sampling frequency barely exceeds twice the highest audio frequency. It is rare that a digital system intended to accommodate a 20-kHz bandwidth uses a sampling rate of more than 50 kHz.

Unfortunately, if signal energy is present in significant amounts at frequencies over half the sampling rate, the result is not just a loss of information, but a serious form of distortion (called *alias distortion*). What happens in effect is that the signal frequency beats with the sampling frequency to form products not present in the original. If a 35-kHz tone were allowed to interact with a 50-kHz sampling frequency, for example, a spurious 15-kHz tone would appear in the output. To combat this, filters used prior to sampling exhibit roll-off at extremely fast rates. Some critics complain that the

Digital Audio

phase shift resulting from such extreme slopes has audible effects, but there does not seem to be any objective evidence that strongly supports this claim.

To change our 40,000 to 50,000 analog samples to a digital signal, we will have to express each one as a number. The difficulty associated with this step is that, while values of the samples may fall anywhere between positive and negative extremes, size of the interval between two adjacent numbers in the set that must represent these values is fixed (depending on number of digits used to express the numbers). If, for example, decimal notation were employed, we would find that when using three-digit numbers the resolution between values could be no finer than one part in 10^3 or 1000. Using binary digits (bits), as is done in practice, we find resolution limited to one part in 2^n , where n is the number of bits.

Thus, there is an error (*quantization error*) between the original signal and the output of the analog-to-digital (A/D) conversion module. Analysis of this error shows that it is equivalent to noise. Since increasing the number of bits in the numbers representing the value of the samples makes the quantization steps smaller, it seems logical that by this action the quantization error and the noise it generates can be made as small as desired. This is, in fact, the case; each additional bit increases the S/N ratio by 6 dB.

Although signal conditions that limit the effects of quantization error to an increase in noise are met most of the time, there are circumstances under which it causes distortion. For example, a

low-frequency sine wave whose amplitude is small enough to allow it to cross only a single quantization level would be converted to the digital equivalent of a square wave. This process introduces the same distortion products as does amplifier clipping, except that its confinement to low-level signals makes the effect more akin to crossover distortion. An additional penalty is exacted in the form of alias distortion when any of the false harmonics exceed one half the sampling frequency.

To offset this, a low-level signal with the correct spectral properties (white noise works very well) is added to the input audio signal to ensure that quantization error shows up as noise rather than distortion. Perceptually, the effect on the system from quantization error is now no worse than a small loss in S/N ratio.

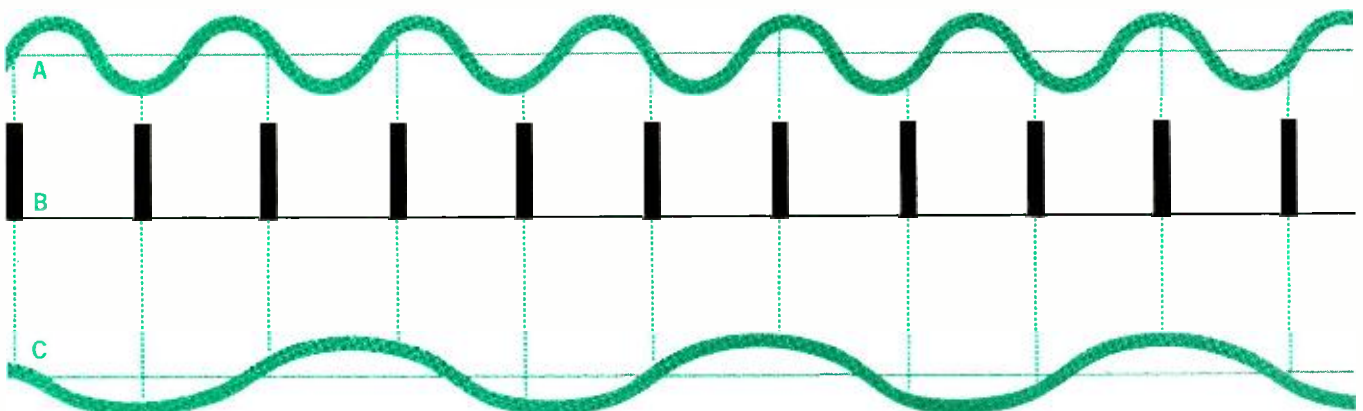
Error Correction. While the immunity of digital information to disturbances in communication channels or storage media is high, it is not absolute. There is an appreciable likelihood that tape dropouts and interfering signals will cause digital data to be lost or altered. Since such losses can seriously degrade recovered audio, it is imperative that the system be able to cope with them.

Error-correcting codes are, of course, nothing new to communication theory, although manufacturers of digital hardware indicate that some work has been necessary to find optimum codes for this application. The more elaborate codes allow the system to identify erroneous bits and correct them. A Sony spokesman estimated that the company's professional digital system will pass no more than one uncorrectable error per 100 hours of recording. The 3M Company states flatly that no uncorrectable errors have yet turned up in any of the re-

cordings done on its machines.

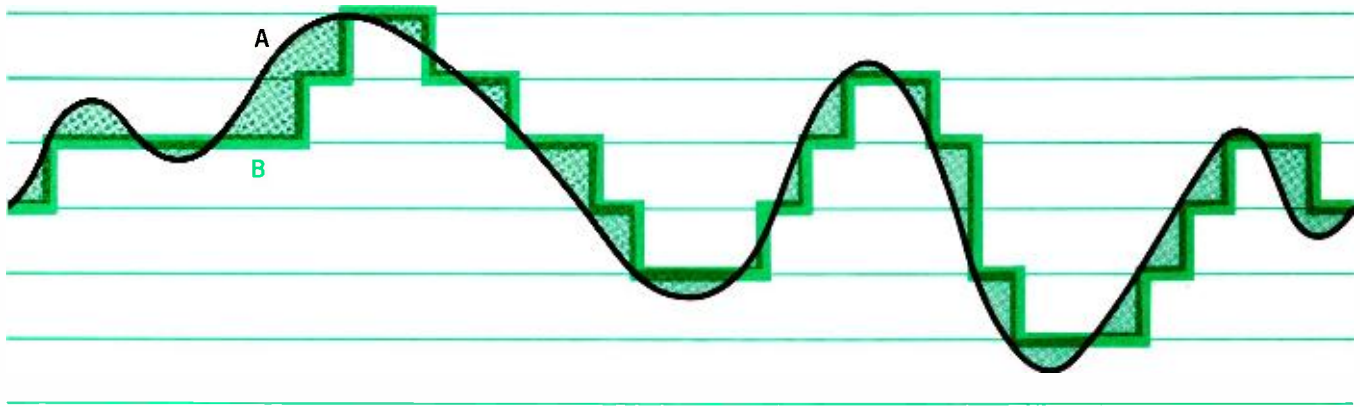
Such prowess in error correction leads to the somewhat surprising result that, no matter how many generations of copies separate a particular dub from a master tape, the overwhelming probability is that the dub is *just as good as the master*. This turns out to be one of the most important properties of digital recording. Consumer systems, it should be pointed out, usually content themselves with error concealment, a technique in which erroneous digital words are identified and discarded, and the correct values estimated from digital words immediately before and after. This effectively hides the errors. Repeated copying will, in this case, produce cumulative errors. However, there is no reason why a consumer should expect assistance in dubbing copyrighted software. Error concealment is also applied to any uncorrectable errors that occur in professional systems.

Playback. The playback section of a digital audio signal chain is relatively straightforward. The data stream is read from the tape (or whatever storage medium is used), run through error correction (or detection) and loaded into a buffer memory. Like the A/D conversion performed in recording, the D/A conversion performed on playback is synchronized by a crystal-controlled clock. Time-base errors are thus limited to tolerances of the clock oscillators, making wow and flutter virtually a thing of the past. Since D/A converters can deliver false outputs in moving from one value to another, a sample-and-hold circuit is customarily used following this stage to prevent feedthrough of erroneous signals. An output low-pass filter normally protects outboard equipment following the digital system from the switching fre-



Alias distortion: sine wave A (top) has a higher frequency than pulse train B, the sampling waveform. Sine wave C, of

lower frequency than A, gives same series of samples and appears in output when samples are reassembled.



quantization error could be reduced by introducing more level with closer spacing.

Square cornered wave B is a quantization of smooth wave A across seven equally-spaced levels. Shaded area representing

quency and other ultrasonic components that might cause problems.

Controlling Costs. One of the major drawbacks of digital recording systems is cost. Systems using 16-bit resolution and a 50-kHz sampling represent just about the current limit of the state of the art—and they have price tags to match! Fortunately, the 90-odd dB of S/N ratio typical of these systems appears to be sufficient for professional applications.

Since consumer systems can dispense with some of the headroom required of professional systems, it would seem possible to reduce the number of bits they use. The critical question is, by how much? Barry Blesser, writing in the *Journal of the Audio Engineering Society*, points out that reducing the number of bits from 16 to 12 can drop system costs by a factor of as much as 100.

The simplest way to accomplish this is to simply design a system with fewer bits. The Phillips Digital Disc System, currently slated for introduction some time in 1981, will use a 14-bit code and accept as adequate the resulting 84-dB S/N ratio. Another approach, used in the Sony PCM-1 described elsewhere in these pages and in prototype disc systems developed in Japan, is floating-point or nonlinear encoding.

In floating-point encoding, the A/D converter at the input contains what is

effectively a compressor that subtracts a constant from any voltages falling above a given threshold before encoding them. An extra bit appended to the digital word notifies the output D/A converter that this has been done and causes it to perform a complementary expansion on playback. The peak S/N ratio at any instant is still that which can be predicted by the bit resolution, but the dynamic range (the difference between the weakest and strongest signals the system can accept) is increased by the amount of compression/expansion.

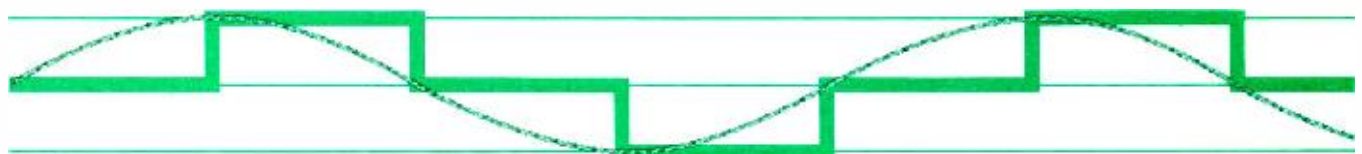
Another technique used to minimize auditory effects of system noise is high-frequency pre-emphasis/de-emphasis. As in conventional tape recording, this trades high-frequency headroom for better noise performance. This could be disadvantageous in a system intended for recording live sources, but it is useful in systems biased heavily for playback use.

Miscellaneous Problems. Just as basic hardware of digital audio systems tends to be high in cost, so are ancillary items. Thus, a studio that wished to do not only its recording but its mixing and signal processing in the digital domain would require some fairly complex, specialized equipment. Mixing, for example, can no longer be performed by simple analog summation; a digital adder is required. Similarly, any change in system

gain requires that each digital word be multiplied by a constant. Furthermore, equalization requires use of digital filters, which are usually programmed in software. Offsetting these fairly formidable requirements is the fact that digital hardware tends to be generalized. The equipment necessary for one kind of signal processing will usually perform other types as well. Such flexibility may foster development of new types of signal processing.

Editing is another problem area. The trusty razor blades that served so well during the era of analog recording must now be consigned to the recycling dump in favor of electronic methods. Equipment currently available is capable of letting the engineer analyze waveforms to be joined for both amplitude and slope and pick the junction point accordingly. Splices, which in a typical multi-track environment can be made at different points in the various channels, can be audibly perfect when this technique is applied.

Standards. At the present time, despite some efforts to the contrary, competing digital systems vary considerably in format. Sampling frequencies vary between about 44 and 50 kHz, and coding schemes range from 12-bit nonlinear to 16-bit linear. Lack of cross-compatibility between these various systems could eventually cause problems. Computer



Low-frequency sine wave amplitude equal to plus-or-minus one least significant bit is converted to a quasi-square wave

by quantization. The effect resembles amplifier clipping and introduces gross distortion.

Digital Audio

outines have recently been developed to translate the digital code generated by one system into that of any other. Some degradation does occur in this process, but it is small enough to be acceptable provided several such conversions are not carried out in tandem.

Politics. The nature of the digital domain is such that format decisions are binding on performance. Thus, once a certain bit resolution is adopted, the S/N ratio is fixed with no possibility of im-

provement. Also, the choice of sampling rate places an absolute limitation on system bandwidth. This is in contrast to analog formats such as, for instance, the compact cassette, where successive improvements in tape and hardware have transformed a system originally designed for speech only into one that handles music with competence.

Such a state of affairs poses no conundrums when economics permit systems to be made much better than they need to be. But digital audio, on the contrary, almost demands that all reasonable compromises that might reduce costs be made. Since the effects of such compromises (and their irrevocable lim-

its on performance) could persist in the marketplace for some time, caution would suggest that they be made only after the industry has sufficient experience to know what can be profitably traded away. In that sense, digital audio looks not like the final perfection of musical recording, but like the beginning of a new era.

Prospects for the Future. As might be expected, digital audio is already beginning to affect the established recording industry. London Records has released digitally mastered discs, and it seems likely some of the other major labels will do the same before too long. As

BY LEWIS NANASSY
Sony Industries



Inside the Sony PCM-1

Every digital recorder needs a high-speed, wide-band data-storage system. Professional tape machines tend to use high-speed transports operating at 30 ips or more for this purpose. To keep system cost down for consumer applications, the task can be assigned to a video tape recorder. To do this, some form of interface is necessary between the analog input signal and the video machine. The Sony PCM-1 is the first product of this type to reach the market (for about \$4000). Here's how it works.

The PCM-1 converts two channels of audio information into a digital equivalent and arranges it in an appropriate format for recording on the VTR. It also includes means to change recorded digital signals from the VTR back into two channels of analog audio that could be fed to a conventional stereo system. The signal processor fits between the stereo audio system and the VTR (in this case a video cassette Betamax).

Signal Format. The digital data is recorded on the VCR as a series of magnetic pulses

equivalent to zeros and ones. The digital audio information and error-checking elements (to be discussed later) are inserted within a conventional TV horizontal line as shown in Fig. 1.

The 94 bits are divided into 78 bits shared

by the right and left audio information with the remaining 16 bits used for the CRC. Since a TV horizontal interval can support up to 110 bits, and there are 525 lines and 30 frames per second, it is possible for the TV signal to support up to 1.7 million bits per second. It is because of this that a VTR is used as a storage medium for digital audio.

Circuit Operation. As shown in Fig. 2, the

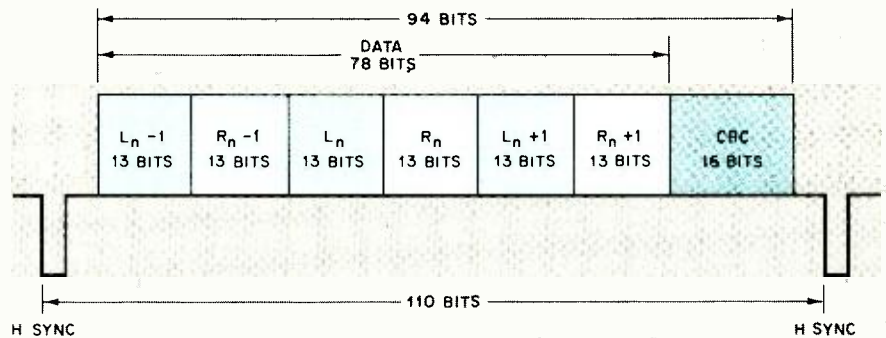


Fig. 1. Instead of video, each horizontal line contains digital information and error-correcting code.

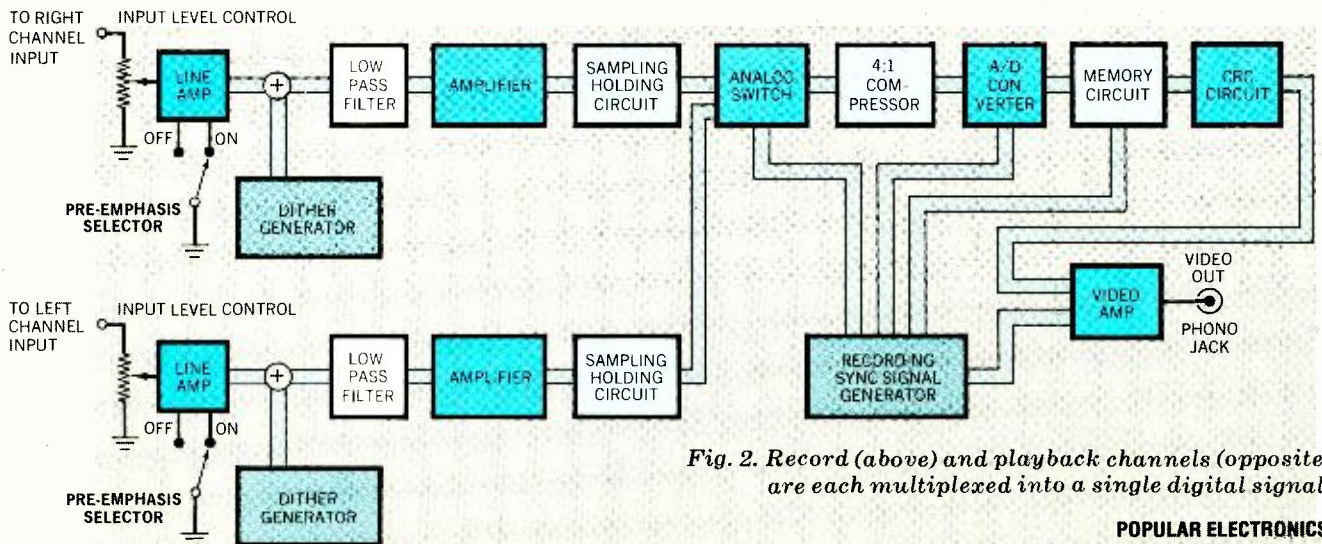


Fig. 2. Record (above) and playback channels (opposite) are each multiplexed into a single digital signal.

Soundstream's Dr. Tom Stockham pointed out at the 1979 Midwest Acoustics Conference, one of the tremendous advantages that digital audio offers to an institution that must store large numbers of master tapes is that of archival permanence. Once a performance is committed to a digital master tape, there is no reason why it should deteriorate at all with the passage of time. If a copy starts to age, a functionally identical dub can be made. It would be surprising, therefore, if record companies did not eventually phase in digital storage of their existing libraries.

Specially recording companies have been using digital mastering for some

time now, Nippon Columbia (Denon) being one of the first. The idea has since spread to the U.S., where it has been employed with apparent success by Telarc, Orinda, and Studio 80.

Generally, these discs have shown appreciably better sound quality than conventionally mastered discs. Unfortunately, the dynamic range of digital sources is so wide that making the transfer to disc without resorting to compression requires great care and, perhaps, prestidigitation as well. And some signal processing—diameter equalization and some means to prevent stylus lift due to excessive vertical (out of phase between the two channels) mod-

ulation at low frequencies—defies circumvention. For these reasons, there are many who believe that consumers will not enjoy the undiluted benefits of digital audio until digitally encoded software and the special players designed for it become widely available. (Note that while tape and discs seem to be front-runners among the storage media vying for hegemony in the digital marketplace, other media such as magnetic cards or highly miniaturized read-only memories could win out in the long run.)

The analog establishment is just not ready to roll over and die quite yet, however. For one thing, metal-particle tape
(Continued on page 46)

PCM-1 has separate record and playback sections. In the record mode, the analog audio input signals are amplified and applied to the line amplifier that sets up the desired signal levels and applies high-frequency pre-emphasis. To avoid problems with quantizing noise, a "dither" signal, generated from white noise developed across a zener diode, is added to the audio. It is this noise that fixes the final signal-to-noise ratio and that the pre-emphasis is designed to minimize. An improvement of about 7 dB is realized.

The audio is now sampled at a rate of 44,056 samples per second. The sample-and-hold circuits for the two channels are timed from a crystal oscillator and both are processed by the same A/D (analog-to-digital) converter, with a high-speed analog switch alternating the samples (Fig. 2). The output of the A/D circuit is digital code corresponding to the quantized value of the samples. To keep costs down, a 12-bit A/D converter is used. However, 12-bit resolution gives a dynamic range of only 72 dB, comparable to that of the best analog tape systems. A 4:1 compression applied before A/D conversion, yields another 12 dB of dynamic range when the signal exceeds the 0.93-volt

reference level. In the playback mode, a 1-bit "flag" signal added to the 12-bit word is used to trigger a complementary 1:4 expander. This technique produces the equivalent dynamic range of over 84 dB, similar to that of a 14-bit system, although the instantaneous S/N ratio remains at 71 dB.

In operation, the comparator squares off the analog audio, with the output of the comparator feeding a digital counter formed from a series of flip-flops timed from the system clock. The flip-flops are coupled to a D/A converter that reconverts the digital signals into analog form. The new analog signal is fed to the other input of the comparator—when the two input signals are equal, the conversion is complete.

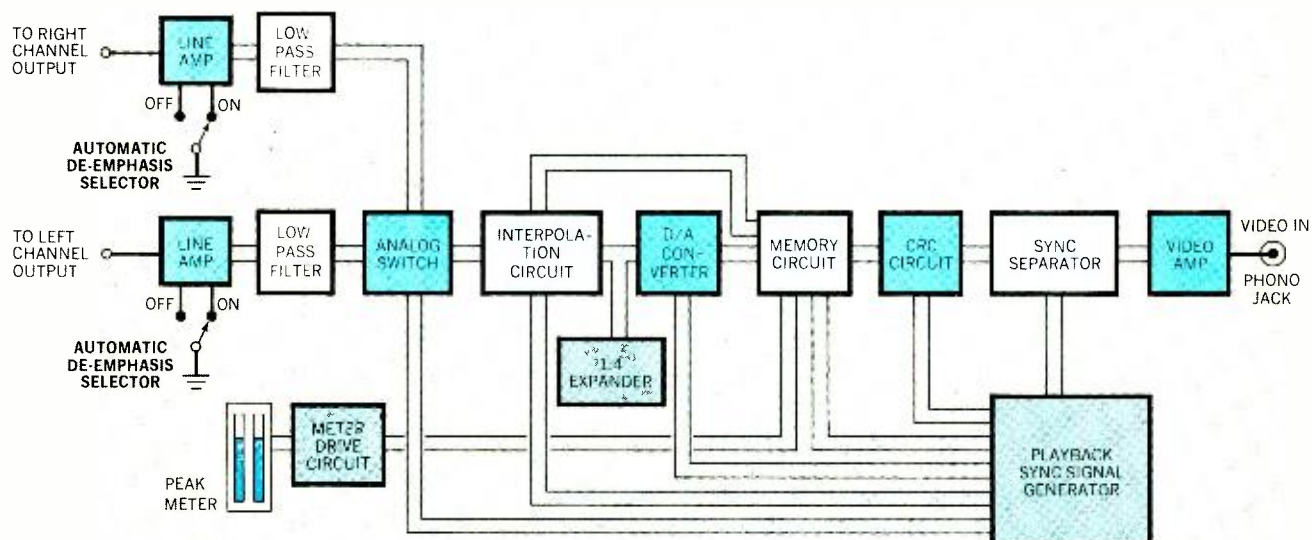
The digital word at the output of the A/D converter is fed to an 8K RAM that provides buffer storage and data interleaving. This allows for time compression required because the digital data signal cannot be recorded during the VTR sync pulses. Compression is achieved by clocking the digital data out of the memory intermittently at a faster rate than it was clocked in. All of the required clock signals, as well as the video sync signals are derived from a crystal-controlled oscillator. Next

the digital data has its CRC (error-checking) elements inserted and is passed to the video output amplifiers, where it is mixed with the necessary video/sync signals. The composite output fed to the VTR input jack is 1-volt peak-to-peak NTSC video at 75 ohms output impedance.

In the playback mode, the amplified video signal is fed to a sync separator. The sync signals are used as a reference to allow the playback sync generator to compensate for slow drift and low-frequency time-base errors coming from the VTR. It is possible that (due to tape dropouts, for example) some of the pulses may be lost between recording and playback. Since a single false bit can drastically alter the digital word (a functional grouping of bits) of which it is a part, the system must include a check for such errors.

A special code, called CRC (cyclic redundancy check) is central to the error-checking scheme. Each digital "word" (here a number representing the amplitude of a single sample of the audio signal) is divided by a standard number. The remainder from this division is appended to the digital word.

During playback, the digital word is divided
(Continued on page 46)

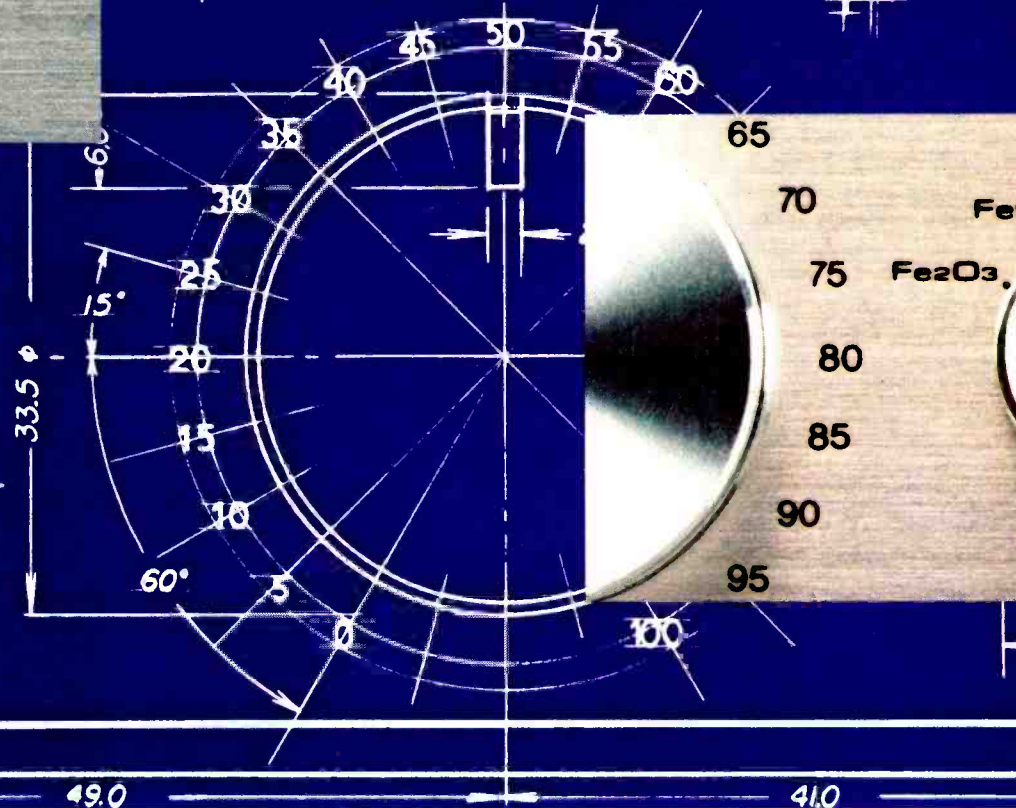
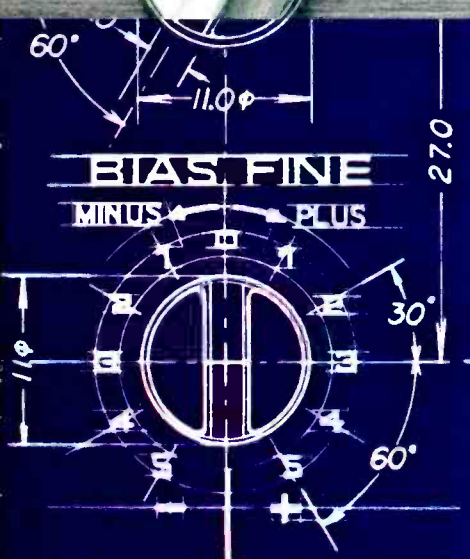
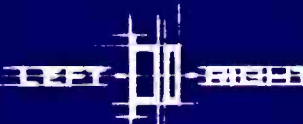


TAPE SPEED

1 7/8 3 3/4



INPUT LEVEL



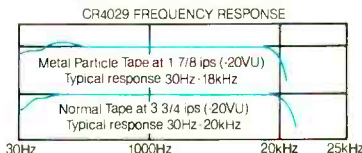
THIS REMARKABLE
CASSETTE DECK
COULD ONLY
COME FROM
THE NEW FISHER.

Recent developments have revolutionized tape technology. The new Fisher CR4029 cassette deck, with an array of features you thought were still in the future, can now make recordings in your home that rival the product of professional studios. Equally important, the CR4029 offers a wide range of choices that, until now, were unavailable. Some of the new cassette decks offer one or two of these technological innovations—Fisher offers them all in one integrated package.

TWO SPEED OPERATION.

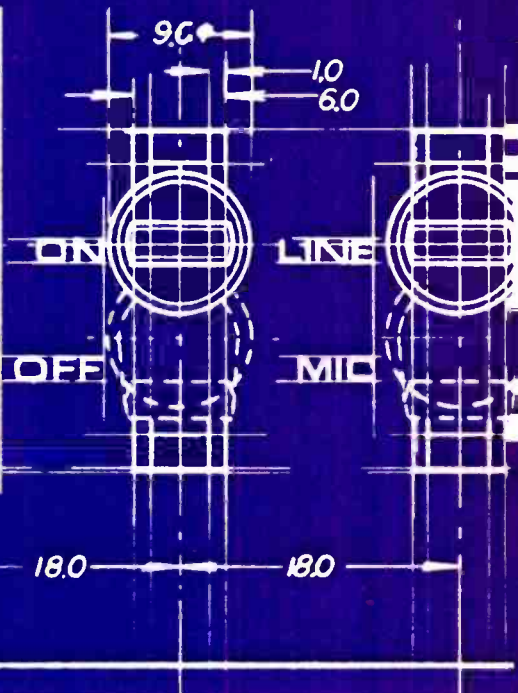
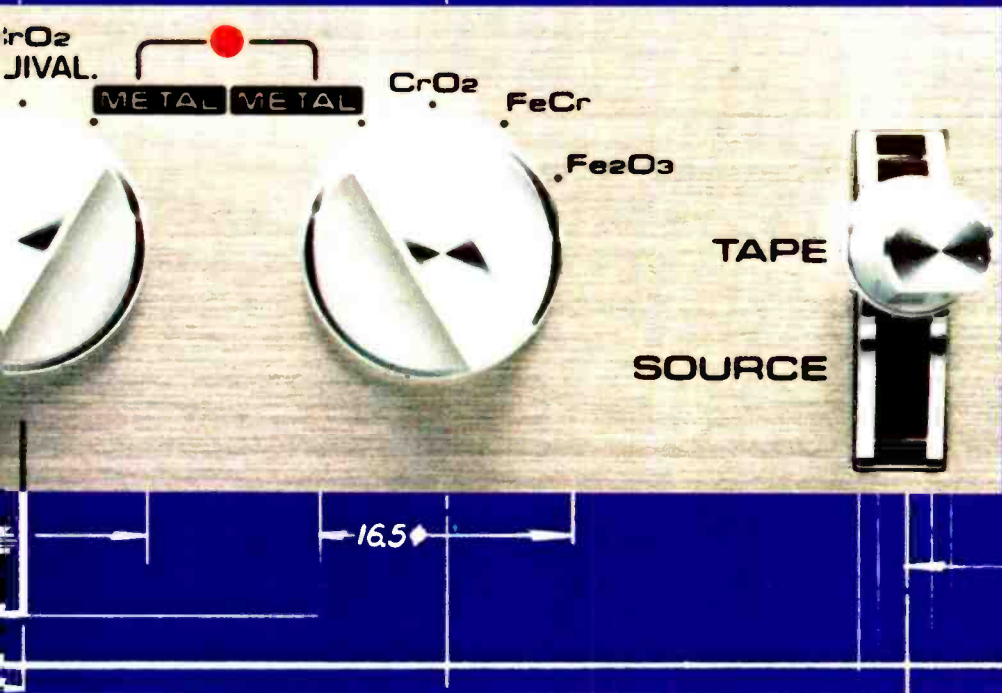
You can use the CR4029 at the standard 1 7/8 ips speed and you'll have outstanding recordings. But that's just the beginning. Switch to the new high-speed 3 3/4 ips and the CR4029 delivers an incredible 30Hz-20kHz ± 3 dB frequency response (using normal tape). What's more, recording at high speed drastically reduces wow and flutter and tape dropout. Off-the-air and off-the-disc recordings will astound you, and even surprise your friends who own reel to reel recorders. (Since a C90 cassette will record a full album at 3 3/4 ips, high speed recording is still economical.) But—there's more.

METAL TAPE. Another of the marvelous innovations is metal tape. Why has it become so important? Our chart shows why. Metal tape demonstrably improves frequency response. Combine it with the new high speed and you'll get a hard-to-believe 30Hz-25kHz ± 3 dB frequency response with virtual freedom from distortion. You'll also be able to record at higher levels. (With normal tape and standard speed, you have to record at lower levels to prevent tape saturation and consequent distortion.)



THREE VHT/SENDUST HEADS WITH DUAL PROCESS DOLBY. All this new technology requires new recording, playback and erase heads. So Fisher engineers came up with our new VHT heads. Made of a special micro-fine, high density particle formulation, they bring out the best potential of metal tape and high speed. Because the

TAPE SELECT EQUALIZE TAPE LIMITER INPUT MONITOR



THREE HEAD SYSTEM WITH DUAL PROCESS DOLBY



CR4029 is a three-head design, each head can be optimized for a specific function. There's a wide 4 μm gap VHT record head for the best possible signal-to-noise ratio. A narrow 1 μm gap VHT playback head improves frequency response. And a Sendust alloy erase head overcomes the problem of hard-to-erase metal tape. The separate record and playback heads allow you to monitor as you record—an absolute must for serious record-



ing. And Dual Process Dolby gives you the advantage of Dolby noise reduction in both the record/playback and off-the-tape monitoring mode.

THE CR4029 HAS ALL THE OPTIONS. Why have only part of the new tape technology when you can have all of it? Using the CR4029 three head system you can use metal tape at the standard 1 7/8 ips speed, combining high performance with long play. Or use normal tape at the new 3 3/4 ips speed for both economy and superior performance. Or choose the ultimate: metal tape at high speed 3 3/4 ips, and exceed the expectations of the most critical enthusiasts.

IT'S WHAT YOU'D EXPECT FROM THE NEW FISHER. We invented High Fidelity over 40 years ago. We've never stopped moving ahead. The CR4029 is a perfect example. Part of the new Fisher. Where the only thing about us that's old is our tradition of quality and craftsmanship. See the new CR4029 at your Fisher dealer. Everything you'd want in a technologically advanced cassette deck, and at an under \$500 price.

New guide for buying high fidelity equipment. Send \$2.00 with name and address for Fisher Handbook to: Fisher Corporation, Department H, 21314 Lassen Street, Chatsworth, California 91311

© Fisher Corp. 1979.



SPECIFICATIONS:

Motor	(1) DC-Servo	Frequency Response 1 7/8 ips
Drive System	(1) Capstan	FeCr Tape ($\pm 3\text{dB}$) 30Hz-16kHz
Number of Heads	3	Metal Tape ($\pm 3\text{dB}$) 30Hz-18kHz
Head Material	VHT/Sendust	Frequency Response 3 3/4 ips
Wow and Flutter		Normal Tape ($\pm 3\text{dB}$) 30Hz-20kHz
1 7/8 ips	0.06% WRMS	CrO ₂ Tape ($\pm 3\text{dB}$) 30Hz-22kHz
3 3/4 ips	0.05% WRMS	FeCr Tape ($\pm 3\text{dB}$) 30Hz-22kHz
Signal-to-Noise Ratio (CCIR Weighted)		Metal Tape ($\pm 3\text{dB}$) 30Hz-25kHz
(Dolby Off)	52dB	Total Harmonic Distortion at OVU
(Dolby On)	62dB	1 7/8 ips 1.5%
Frequency Response 1 7/8 ips		3 3/4 ips 1.2%
Normal Tape ($\pm 3\text{dB}$)	30Hz-14kHz	Tape Selector Switch Norm. CrO ₂ FeCr
CrO ₂ Tape ($\pm 3\text{dB}$)	30Hz-16kHz	Metal
		Bias Fine Adjustment $\pm 20\%$

Dolby is a registered trademark of Dolby Laboratories

CIRCLE NO. 24 ON FREE INFORMATION CARD

the New **FISHER**
The first name in high fidelity.®

Digital Audio

used on professional open-reel recorders offers increased dynamic range. Aided by advanced noise-reduction systems, such as Telefunken's c4d, these tapes could offer signal-to-noise ratios approaching the 90-odd dB available from digital systems. Granted, there will still be wow and flutter and modulation noise, but smaller recording studios, lacking the budget to go digital, might well tolerate these minor disadvantages in return for the wide dynamic range.

Noise reduction may help the conventional phono disc, too. The idea of applying dbx noise reduction to phono discs and playing them back through a decoder, which had little success in its first incarnation, has been reintroduced. In the transformed signal environment and

sonic marketplace that now exist, partly due to the influence of digital recording, the dbx system should have far better prospects.

One of the telltale effects that tends to betray the action of a compander like the dbx is that any noise present in the original master tape will vary in level, often quite audibly, on playback. This was often exacerbated by the fact that mastering engineers, not foreseeing such demanding use of their product, are often content with master tapes whose signal-to-noise ratios are just a little better than that of the final disc. Indeed, most of us have probably heard discs on which the hiss from the master tape is clearly audible, which means that the tape S/N ratio can actually be a little worse than that of the disc.

With a digital master tape, the situation is vastly different. Here, the noise is

usually so far below the level of the music that, even when the compander action makes it fluctuate, it remains, for practical purposes, inaudible. More to the point, the dbx system can accommodate the wide-ranging digitally reproduced signal without being backed up onto its remotest margins, as is a conventionally made disc. It would be foolhardy to predict how dbx will fare once digital disc systems are widely available to consumers, but for the foreseeable future digital mastering and compansion of analog discs seem to make a happy combination.

Whatever the long-term prospects of digital audio may be, it seems safe to say that it will materially influence the sound of reproduced music—and for the better. Its effects are already beginning to show and are certain to become greater with passing time. ◇

the Sony PCM-1

continued

by the same number. If the remainder is the same, the check bit is stripped off and the remainder of the digital word (the actual digitized audio) passes along for further processing. If the remainder is incorrect, the word is discarded and its value ultimately interpolated from the words immediately adjoining.

After error detection, the digital data stream is fed to a 16K random-access memory that acts as a buffer to take up any short-

term time-base errors and to re-establish the original timing. Speed variations such as wow and flutter are thereby eliminated.

The digital signal is then coupled to a D/A converter to produce the equivalent analog signal. Each digital input line is wired to an electronic switch that, when closed, allows a constant current to flow into a scaled resistor network. The output voltage is dependent on how many switches are closed at that instant. The more active bits, the more switches and the higher the output voltage. Thus, each incoming digital word produces its instantaneous analog equivalent.

Now the signal goes to the 1:4 expander that re-establishes the original dynamic

range. This is followed by an interpolation circuit that "patches" errors detected by the CRC. A high-speed electronic analog switch, toggled by the timing signal from the playback sync generator, separates the right and left channels. After passing through a low-pass filter that removes the sampling frequency and other undesirable high-frequency components, the two independent analog channels pass through line amplifiers where de-emphasis is applied. The resulting audio can then be routed to any good stereo amplifier/speaker combination.

Figure 3 compares the performance of the PCM-1 with that of a high-quality, 2-track, 38-cm/s tape recorder. ◇

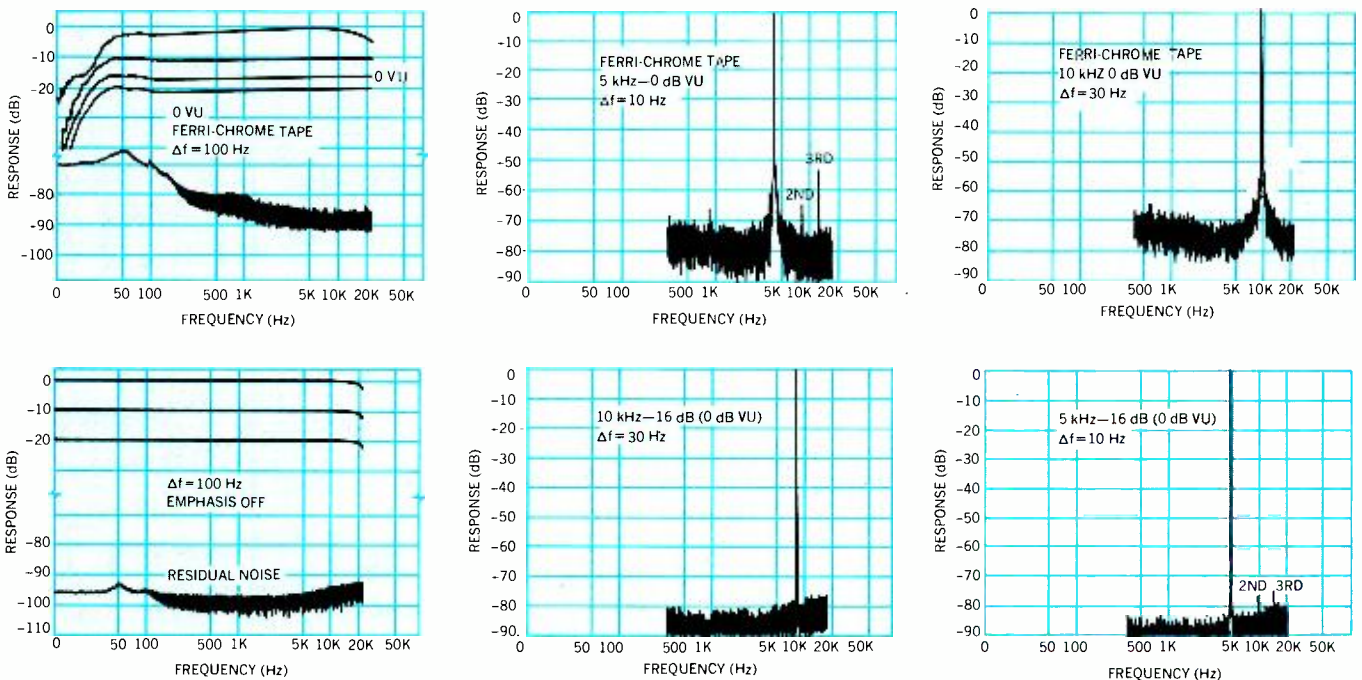
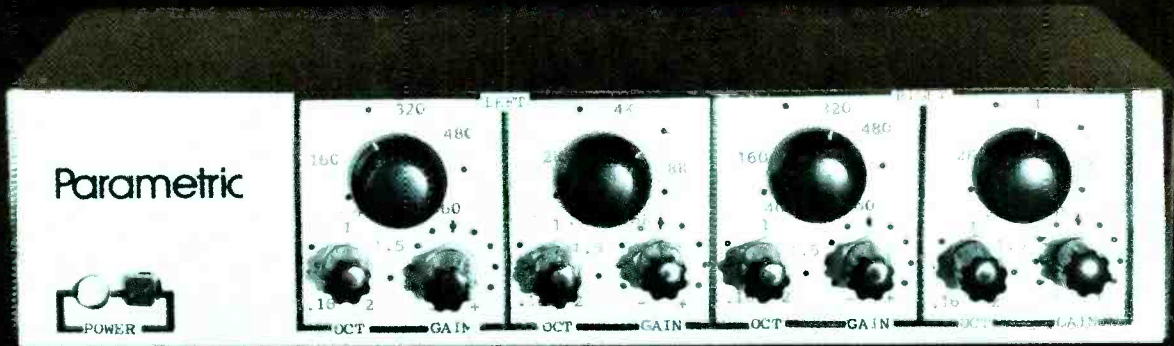


Fig. 3. Performance comparisons of a professional 2-track tape deck running at 38 cm/s (A, B, and C at top) with

PCM-1 (D, E, and F) for (left to right) dynamic range, modulation noise, and distortion at 5 kilohertz.

BY JOHN H. ROBERTS



TAILOR THE SOUND OF YOUR AUDIO SYSTEM WITH THIS STEREO PARAMETRIC EQUALIZER

Low-cost, high-performance component employs BIFET operational amplifiers, can be powered by dc or ac sources.

AS THE state of the audio art has matured, whole new families of sophisticated components generically known as *signal processors* have become available for use in sound systems. Among the most popular category of signal processors is the equalizer. And the subcategory that has generated

the most excitement among serious audio enthusiasts and sound professionals is the parametric equalizer.

As its name implies, each of the parametric equalizer's key parameters—its center frequency, filter bandwidth or Q, and amount of boost or cut introduced—can be independently adjusted. This provides extraordinary flexibility, allowing the user to tailor equalization to the precise needs for a particular program or room/system combination.

Presented here is a two-band parametric stereo equalizer with several features that commend it to the audiophile. It has been designed so that the Q and BOOST/CUT controls interact to compen-

sate for the perceived change in loudness as filter bandwidth increases or decreases. Furthermore, the circuit employs high-performance BIFET op amps, which combine the best of both junction-field-effect and bipolar-junction transistors in each amplifier. It can be powered by either the ac line or a 12-to-30-volt dc supply, making it equally "at home" in fixed, mobile, or portable applications. Finally, the Parametric Equalizer is relatively inexpensive—a line-powered stereo kit costs \$99.00.

A Short Course in Equalization. Although last month's POPULAR ELECTRONICS contained a comprehensive

Audio Project

article about equalization ("The Art of Equalization" by Ethan Winer), here's a brief overview of the subject. The category of signal processors known as equalizer can be broken down into three subcategories: tone control or shelving types; graphic or peaking equalizers; and parametrics. All three are capable of boosting or cutting signal levels, but differ in the manner in which they generate the boost or cut, in the shapes of the frequency-response curves they produce, and in the size of the band of frequencies which they affect.

Tone controls are characterized by a gradual transition between the non-boosted and fully boosted (or unattenuated and maximally attenuated) frequency bands, levelling off to a fixed amount of boost or cut. The resulting frequency-response curve takes on the appearance of a shelf, giving rise to the name *shelving equalizer*.

Graphic equalizers divide the audio spectrum into a given number of bands with individual boost/cut controls for each band. The transition between the unaffected and fully affected regions is determined by the number of bands in

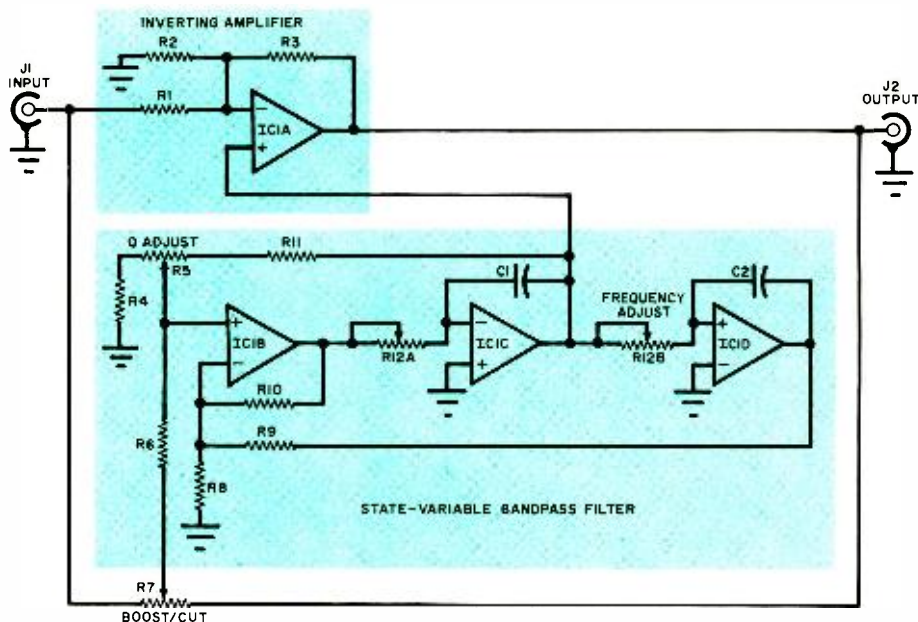
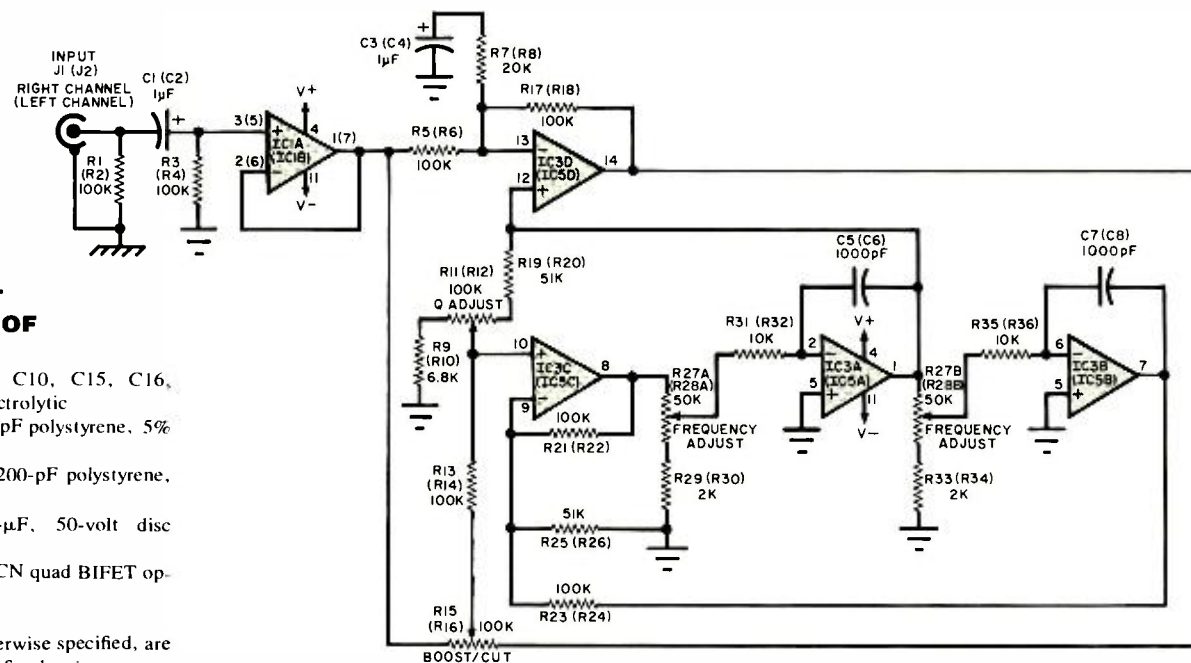


Fig. 1. Simplified schematic of one channel of equalizer shows that an inverting amplifier is interconnected with a modified state-variable active bandpass filter.

the graphic equalizer. An inexpensive five-band or two-octave (so called because each band is two octaves wide) has a lower filter Q and therefore more effect over frequencies somewhat removed from the band of interest than a sophisticated professional equalizer which breaks the audio spectrum down

into 30, one-third-octave-wide bands. In most consumer graphic equalizers, the center frequency of each band is fixed, although some more sophisticated units (and most professional graphics) allow the user some leeway in setting the center frequencies. The family of frequency-response curves generated by a graphic



MAIN PARTS LIST (TWO CHANNELS OF EQUALIZATION)

- C1, C2, C3, C4, C9, C10, C15, C16, C20—1-µF, 25-volt electrolytic
- C5, C6, C7, C8—1000-pF polystyrene, 5% tolerance
- C11, C12, C13, C14—8200-pF polystyrene, 5% tolerance
- C17**, C18**, C19*—0.1-µF, 50-volt disc ceramic
- IC1 through IC5—TL074CN quad BIFET operational amplifier
- J1, J2, J3, J4—Phono jack
- The following, unless otherwise specified, are 1/4-watt, 5% carbon-film fixed resistors.
- R1 through R6, R13, R14, R17, R18, R21, R22, R23, R24, R37, R38, R45, R46, R49, R50, R53, R54, R55, R56, R74, R75—100,000 ohms
- R7, R8, R39, R40, R63, R64, R67, R68—20,000 ohms
- R9, R10, R41, R42—6800 ohms
- R11, R12, R15, R16, R43, R44, R47, R48—

- 100,000-ohm, linear-taper potentiometer
- R19, R20, R25, R26, R51, R52, R57, R58—51,000 ohms
- R27, R28, R59, R60—dual 50,000-ohm linear-taper potentiometer
- R29, R30, R33, R34, R61, R62, R65, R66—2000 ohms
- R31, R32, R35, R36—10,000 ohms

- R69, R70—100 ohms
- R71**, R72**, R73*—10 ohms
- Misc.—Printed circuit board, pc standoffs, IC sockets or Molex Soldercons, hookup wire, shielded cable, solder, machine hardware, control knobs, suitable enclosure, etc.
- *—Dc version only
- **—Ac version only

equalizer resembles a series of peaks and valleys. That's why some audio-philes refer to graphic equalizers as "peaking" types.

The parametric equalizer is a variation on the graphic equalizer theme. In addition to an individual boost/cut control, each band of a parametric equalizer also has center-frequency and bandwidth or filter Q controls. This means that the amount of boost or cut introduced, the center frequency of the band of equalization, and the bandwidth within which the equalization is applied (as well as the transition between the frequencies that are unaffected and those which are boosted or cut the most) are all independently variable. The parametric equalizer thus gives its user the ultimate in control over the sound recorded on tape or reproduced by his speakers.

About the Circuit. A simplified schematic of the Parametric Equalizer is shown in Fig. 1. Only one equalizer section of one channel's circuit is shown, and input buffering and output decoupling details are omitted. Similarly, power supply connections are not shown. It can be seen that the simplified schematic is that of an inverting amplifier (IC1A, R1, R2, and R3) interconnected with a modified "state variable" active band-

PERFORMANCE SPECIFICATIONS
(Supplied by the Author)

Center frequency range: 40 to 16,000 Hz, in two bands—40 to 960 Hz, 500 to 16,000 Hz

Frequency response: 3 to 100,000 Hz, +0 dB, -1 dB with all controls at their flat settings

Input impedance: 50,000 ohms

Input/output gain: 0 dB

Intermodulation distortion (SMPTE): Less than 0.007%

Maximum output: 8 volts rms into a 10,000-ohm load when powered by a ±15-volt supply

Maximum boost/cut: ±20 dB at 0.16-octave bandwidth

Output impedance: 100 ohms

Output noise: -70 dBm unweighted, -89 dBm "A" weighted

Range of Q adjustment: 0.16 to 2 octaves (-3-dB bandwidth)

Total harmonic distortion plus noise: below 0.04% from 20 to 20,000 Hz

pass filter. Such a filter is composed of two active integrators connected in cascade (IC1C, IC1D, and associated passive components) and a differential amplifier (IC1B and associated passive components).

This circuit was chosen for use in the Parametric Equalizer because its center frequency and Q can be varied independently of each other. The filter's center frequency is selected by adjusting dual potentiometer R12. Filter bandwidth and Q are dependent upon the values of R4 and R11 and the setting of potentiometer R5. For the component values employed in this project, filter bandwidth and Q can be adjusted over a range of 0.16 to 2 octaves at the -3-dB points. (The relationship between bandwidth at the -3-dB points and filter Q is given by the simple equation $BW_{-3\text{dB}} = 1 / Q$.)

To convert a state variable active bandpass filter into the desired all-pass circuit with adjustable boost and cut, a potentiometer (R7) is connected between the inverting input and the output of unity-gain amplifier IC1A. The wiper of this potentiometer is connected to the input of differential amplifier IC1B. Signals appearing at the output of integrator IC1C, which are inverted with respect to those appearing at its input, are applied to the noninverting input of IC1A.

When the wiper of R7 is at the J1 extreme of its travel, the bandpassed signal adds to the input signal, boosting the amplitude of signals within the filter's passband. When the wiper is at the J2 extreme of its travel, the bandpassed

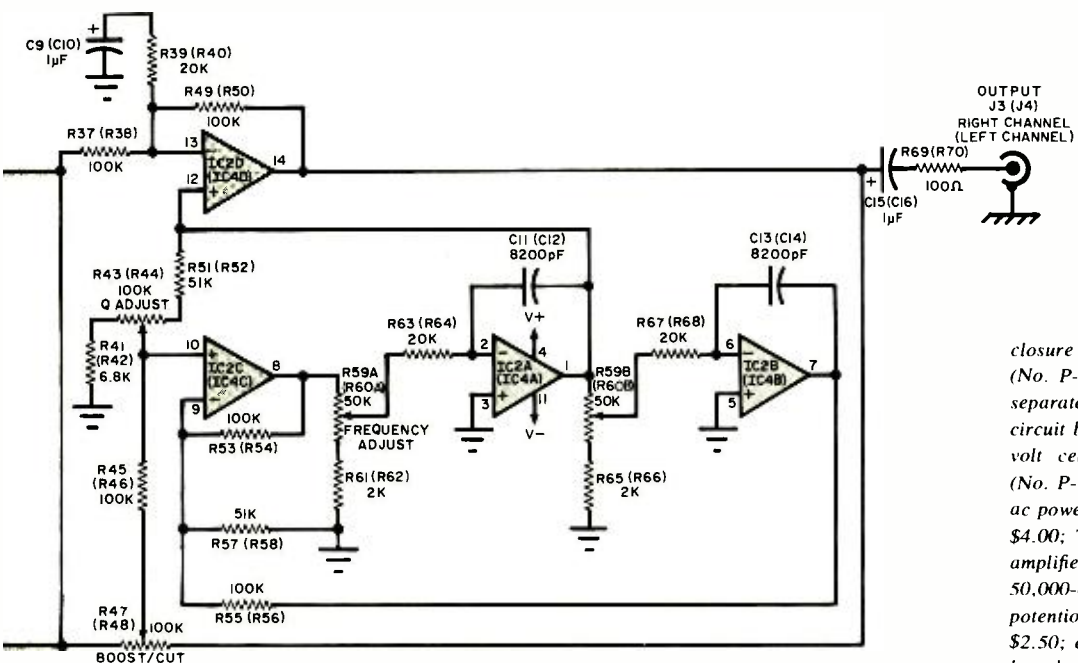
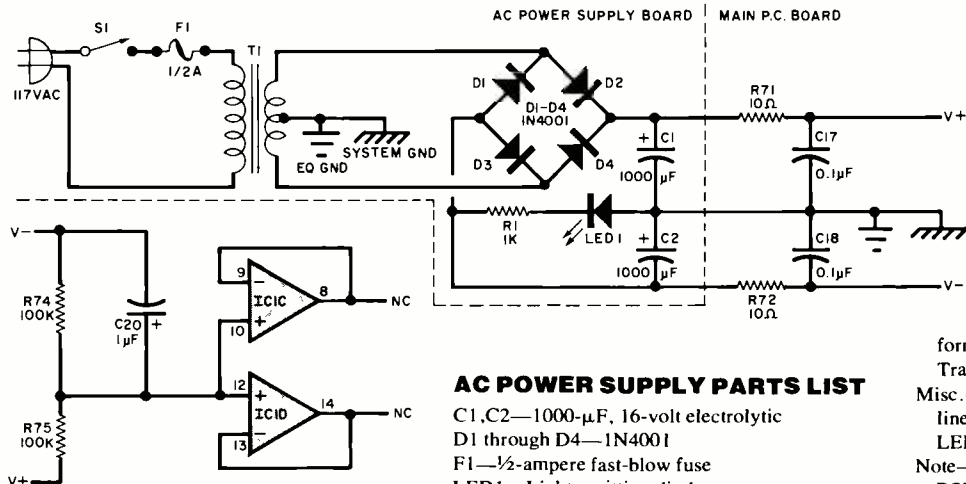


Fig. 2. The complete circuit for a two-channel equalizer. Part numbers not in parentheses are for right channel of a stereo system, others are for left channel. For components with asterisks, see Figs. 3 and 4.

Parts Availability

Note—The following are available from Phoenix Systems, 375 Springhill Road, Monroe, CT 06468 (203-261-4904): Complete kit of parts including enclosure for ac-powered stereo equalizer (No. P-94-S) for \$99.00; Complete kit of parts including en-

closure for dc-powered stereo equalizer (No. P-94-SC) for \$89.00. Also available separately: etched and drilled main printed circuit board (No. P-94-AB) for \$8.00; 20-volt center-tapped stepdown transformer (No. P-94-T) for \$6.50; etched and drilled ac power supply board (No. P-04-PSB) for \$4.00; TL074CN quad BIFET operational amplifier IC (No. P-94-C) for \$2.50; dual 50,000-ohm, linear-taper, closely tracking potentiometer (No. P-94-2X50KB) for \$2.50; etched and drilled dc power supply board (No. P-94-PSBC) for \$2.00; 100,000-ohm, linear-taper potentiometer (No. P-94-100KB) for \$1.00; p.c.-mount, push-on/push-off power switch (No. P-94-SL) for \$1.00. Add \$1.00 handling charge for orders less than \$10.00. Add \$1.00 for COD orders. Canadians add \$2.50 postage. Connecticut residents add state tax.



AC POWER SUPPLY PARTS LIST

- C1, C2—1000-µF, 16-volt electrolytic
- D1 through D4—1N4001
- F1—½-ampere fast-blow fuse
- LED1—Light-emitting diode
- R1—1000-ohm, ¼-watt, 5% resistor
- S1—Spst switch
- T1—20-volt, center-tapped stepdown trans-

Fig. 3. Schematic of power supply to use with an ac source. It is a conventional full-wave circuit giving plus and minus 15 volts to ground.

former, secondary rating 100 mA (Signal Transformer No. ST-4-20 or equivalent)
 Misc.—Printed circuit board, pc standoffs, line cord, strain relief, hookup wire, solder, LED mounting collar, hardware, etc.
 Note—Components C17, C18, C20, IC1, R72, R74 and R75 are mounted on the project's main printed circuit board and are included in the Main Parts List. See Fig. 1 for Parts Availability.

signal subtracts from the input signal, attenuating input signals within the pass-band of the active filter. Finally, when the wiper of R7 is at the midpoint of its travel, the output of IC1A cancels out that portion of the input signal appearing at the wiper because the two signals are 180° out-of-phase. This means that no signals are routed to the bandpass filter, the filter generates no output, and has no effect on IC1A. The result is that inverting amplifier IC1A exhibits a flat frequency response.

There are two equalizer sections for each signal channel. (Only one section is shown in Fig. 1.) The center frequency of the low-band equalizer can be adjusted from 40 to 960 Hz, and that of the high-band equalizer from 500 to 16,000 Hz. Both the setting of the BOOST/CUT potentiometer and the value of filter Q determine the amount of boost or cut introduced by each equalizer section. The maximum boost or cut is ±20 dB at a filter bandwidth of 0.16 octave, and ±12 dB at a bandwidth of 2 octaves. This interaction makes the Q control more convenient to use because parametric designs not incorporating it often require readjustment of equalizer gain after the filter Q has been changed.

The master schematic of the main Parametric Equalizer circuit is shown in Fig. 2. The most likely application for this project is in a stereo sound system, so the schematic describes a two-channel equalizer. All components pertaining to the right signal channel have part numbers not shown in parentheses. Those for the left channel, however, have part

numbers which are shown in parentheses. The rest of this discussion will refer only to the right signal channel but is equally applicable to the left.

Input signals are applied to jack J1, where R1 and R3 (which are effectively in parallel) provide a high-impedance load. Capacitor C1 blocks any dc level that might be accompanying the input signal. Buffering is accomplished by voltage follower IC1A which isolates the input from the rest of the circuit. Output signals from the voltage follower are then applied to two cascaded equalizer

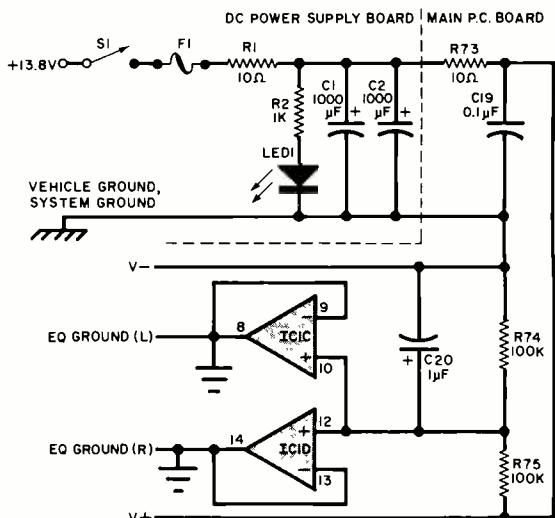
sections, each of which employs a TL074CN quad BIFET operational amplifier IC.

Each section closely resembles the simplified schematic shown in Fig. 1. That employing IC3 is the high-band equalizer circuit. Its center frequency is adjustable by means of dual potentiometer R27 over a range of 500 to 16,000 Hz. Potentiometer R11 is the filter's Q ADJUST control and potentiometer R15 (along with the Q of the filter) determine the amount of boost or cut introduced.

The second equalizer circuit (the one

(Continued on page 57)

Fig. 4. Use this circuit if a dc supply is to be employed. The IC voltage followers derive an artificial equalizer ground.



DC POWER SUPPLY PARTS LIST

- C1, C2—1000-µF, 16-volt electrolytic
- F1—½-ampere fast-blow fuse
- LED1—Light-emitting diode
- R1—10-ohm, ¼-W, 5% resistor
- R2—1000-ohm, ¼-W, 5% resistor
- S1—spst switch

Misc.—Printed circuit board, pc standoffs, machine hardware, etc.
 Note—Components C19, C20, IC1, R73, R74, and R75 are mounted on the project's main printed circuit board and are included in the Main Parts List. See Fig. 1 for Parts Availability.

I've finally found a personal computer I respect.

It's not surprising that professionals get excited about the Compucolor II. It's a totally-integrated 8080A system with full color graphics display, built-in 51K mini-disk drive, and the best cost performance ratio available in a personal computer.

The complete system is only \$1595.* And that price includes 8K user RAM, RS-232C compatibility and random access file capabilities.

Our 8 foreground and background colors will boost your comprehension, while introducing you to an exciting new dimension in BASIC programming. The vector graphics have 16,484 individually-accessible plot blocks. And the 13" diagonal measure screen gives you 32 lines of 64 ASCII characters. You also have the flexibility that comes with 16K Extended Disk BASIC ROM.

Compucolor II offers a number of other options and accessories, like a second disk drive and expanded keyboard, as well as expandability to 32K of user RAM. Of course we also have a whole library of low-cost Sof-Disk™ programs, including an assembler and text editor.

Visit your nearest computer store for details. And while you're there, do some comparison testing. With all due respect to the others, once you see it, you'll be sold on the Compucolor II.



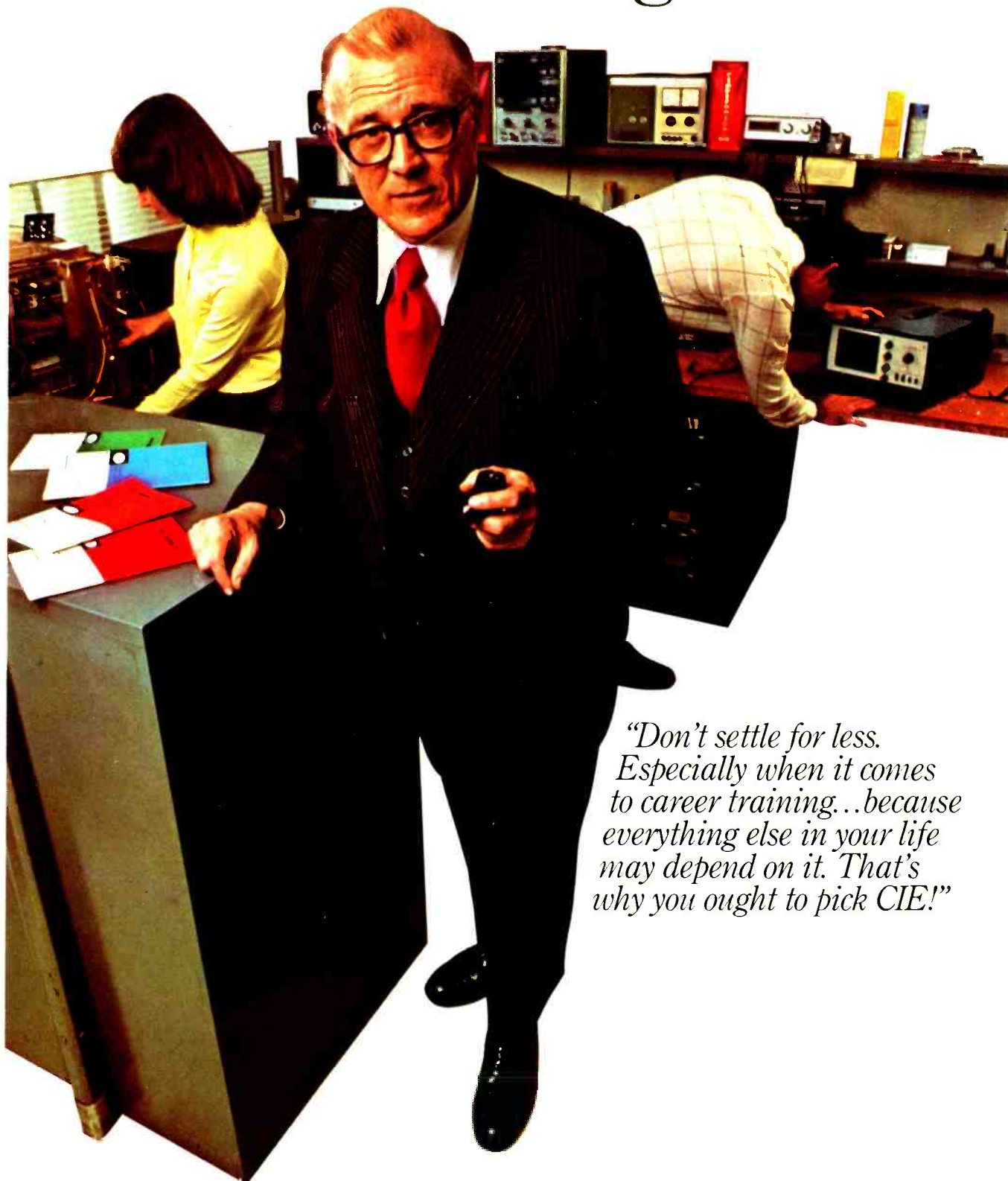
**Compucolor
Corporation**



Unretouched photo of screen
*U.S. Domestic price

Compucolor Corporation Post Office Box 569 Norcross, Georgia 30071 Telephone 404/449-5996

“If you’re going to learn electronics, you might as well learn it right!”



“Don’t settle for less. Especially when it comes to career training...because everything else in your life may depend on it. That’s why you ought to pick CIE!”

You've probably seen advertisements from other electronics schools. Maybe you think they're all the same. They're not!

CIE is the largest independent home study school in the world that specializes exclusively in electronics.

...

Meet the Electronics Specialists.

When you pick an electronics school, you're getting ready to invest some time and money. And your whole future depends on the education you get in return.

That's why it makes so much sense to go with number one...with the specialists...with CIE!

There's no such thing as bargain education.

If you talked with some of our graduates, chances are you'd find a lot of them shopped around for their training. Not for the lowest priced but for the best. They pretty much knew what was available when they picked CIE as number one.

We don't promise you the moon. We do promise you a proven way to build valuable career skills. The CIE faculty and staff are dedicated to that. When you graduate, your diploma shows employers you know what you're about. Today, it's pretty hard to put a price on that.

Because we're specialists, we have to stay ahead.

At CIE, we've got a position of leadership to maintain. Here are some of the ways we hang onto it...

Our step-by-step learning includes "hands-on" training.

At CIE, we believe theory is important. And our famous Auto-Programmed® Lessons teach you the principles in logical steps.

But professionals need more than theory. That's why some of our courses train you to use tools of the trade like a 5 MHz triggered-sweep, solid-state oscilloscope you build yourself—and use to practice troubleshooting. Or a beauty of a 19-inch diagonal Zenith solid-state color TV you use to perform actual service operations.

Our specialists offer you personal attention.

Sometimes, you may even have a question about a specific lesson. Fine. Write it down and mail it in. Our experts will answer you promptly in writing. You may even get the specialized knowledge of all the CIE specialists. And the answer you get becomes a part of your permanent reference file. You may find this even better than having a classroom teacher.

Pick the pace that's right for you.

CIE understands people need to learn at their own pace. There's no pressure to keep up...no slow learners hold you back. If you're a beginner, you start with the basics. If you already know some electronics, you move ahead to your own level.

Enjoy the promptness of CIE's "same day" grading cycle.

When we receive your lesson before noon Monday through Saturday, we grade it and mail it back—the same day. You find out quickly how well you're doing!

CIE can prepare you for your FCC License.

For some electronics jobs, you must have your FCC License. For others, employers often consider it a mark in your favor. Either way, it's government-certified proof of your specific knowledge and skills!

More than half of CIE's courses prepare you to pass the government-administered exam. In continuing surveys, nearly 4 out of 5 CIE graduates who take the exam get their Licenses!

For professionals only.

CIE training is not for the hobbyist. It's for people who are willing to roll up their sleeves and go to work...to build a career. The work can be hard, sure. But the benefits are worth it.

Send for more details and a FREE school catalog.

Mail the card today. If it's gone, cut out and mail the coupon. You'll get a FREE school catalog plus complete information on independent home study. For your convenience, we'll try to have a CIE representative contact you to answer any questions you may have.

Mail the card or the coupon or write CIE (mentioning name and date of this magazine) at: 1776 East 17th Street, Cleveland, Ohio 44114.



Patterns shown on TV and oscilloscope screens are simulated.

CIE Cleveland Institute of Electronics, Inc.
1776 East 17th Street, Cleveland, Ohio 44114

Accredited Member National Home Study Council

YES... I want the best of everything! Send me my FREE CIE school catalog—including details about troubleshooting courses—plus my FREE package of home study information. PE-97

Print Name _____

Address _____ Apt. _____

City _____

State _____ Zip _____

Age _____ Phone (area code) _____

Check box for G.I. Bill information: Veteran Active Duty

MAIL TODAY!



A Popular Electronics Audio Dealer Profile

“Since I’ve been reading Popular Electronics, my knowledge of audio has grown. And so has my business.”

*Sy Denby, Audio Dealer,
Metro Electronics, New York City*

“Everything’s changed since we opened our doors in the mid-1960s. And it continues to change,” Sy Denby says. “Which means that to grow in this business, a dealer has to keep learning. The minute he stops, he might as well retire.”

For years, one of Sy’s prime sources of audio knowledge has been Popular Electronics.

“A special kind of audio expertise...”

That’s the way Sy describes PE’s audio coverage. “The columns and articles give me an uncomplicated grasp of how certain technologies work electronically,” he adds. “And they help me anticipate upcoming product developments.”

“The editors know this business from both sides of the counter...”

Editors like Art Salsberg, John McVeigh, Ralph Hodges and Julian Hirsch. Men who understand the needs and interests of both dealers and buyers.

And now that Hal Rodgers is the magazine’s new Senior Editor, Sy is looking forward to even greater audio coverage. “Hal’s one of the best. He’ll make a good magazine even better!”

Every month, Sy Denby and audio dealers throughout the country read Popular Electronics ...along with 411,000* audio

enthusiasts. An untapped market of electronics activists who depend on PE for published audio information. You just can’t duplicate it.

Popular Electronics

The sound investment for audio marketers.

Ziff-Davis Publishing Company
One Park Avenue, New York, N.Y. 10016

*Primary readers

1954/1979
25

Popular Electronics

BUILT IN 55 WITH "COMPUTER"
Computer Buffer Memory One Hour
Digital Multimeter Project with Design Options
PC CONTROLLER AUDIO "STEREO" RECORD REPRODUCER



employing IC2) is the low-band unit. Dual potentiometer R59 allows adjustment of its center frequency over a range of 40 to 960 Hz. The filter's Q is adjusted by varying the setting of potentiometer R43. Signals within the filter passband can be boosted or cut by means of potentiometer R47.

Output signals from IC2D are coupled to output jack J3 via C15 and R69. The electrolytic capacitor blocks any dc offset appearing at the output of the operational amplifier and the resistor provides decoupling. Signals can be routed from the output jack back to the tape monitor loop of a preamplifier or receiver, if that is where drive signals were taken, or to the input of the power amplifier if drive is obtained from the preamplifier output.

Power supply details are omitted from the main schematic for simplicity's sake, but each IC's power supply pins are denoted. The Parametric Equalizer can be powered by either the ac line or a 13.8-volt dc automotive electrical system. Schematic diagrams of the ac and dc supplies are shown in Figs. 3 and 4, respectively. The ac supply is a conventional full-wave circuit employing a 20-volt, center-tapped transformer. Diodes D1 through D4 rectify the low-voltage ac into bipolar, pulsating dc which is filtered by C1 and C2. Light-emitting diode LED1 functions as a pilot light. All components except for decoupling resistors and capacitors R71, R72, C17 and C18 are mounted on a separate power supply circuit board. The output of the supply is ± 15 volts dc.

The dc supply employs voltage divider R74R75 and voltage followers IC1C and IC1D to derive an artificial equalizer ground at one-half the full voltage delivered by the electrical system powering the circuit. Note, however, that the voltage divider should be connected to the noninverting inputs of the voltage followers even if the ac supply is used to power the circuit. This is done to prevent unwanted oscillation. The outputs of the followers are left uncommitted when the ac power supply is employed.

Light-emitting diode LED1 acts as a pilot light, and electrolytic capacitors C1 and C2 filter any noise present on the dc line. Note that decoupling components R73 and C19 as well as the "equalizer ground" deriving circuit are located on the main printed circuit board.

In the dc-powered equalizer, the negative supply voltage pins of the quad operational amplifier IC's are connected to the vehicle and sound system ground (shown in the schematics as "earth

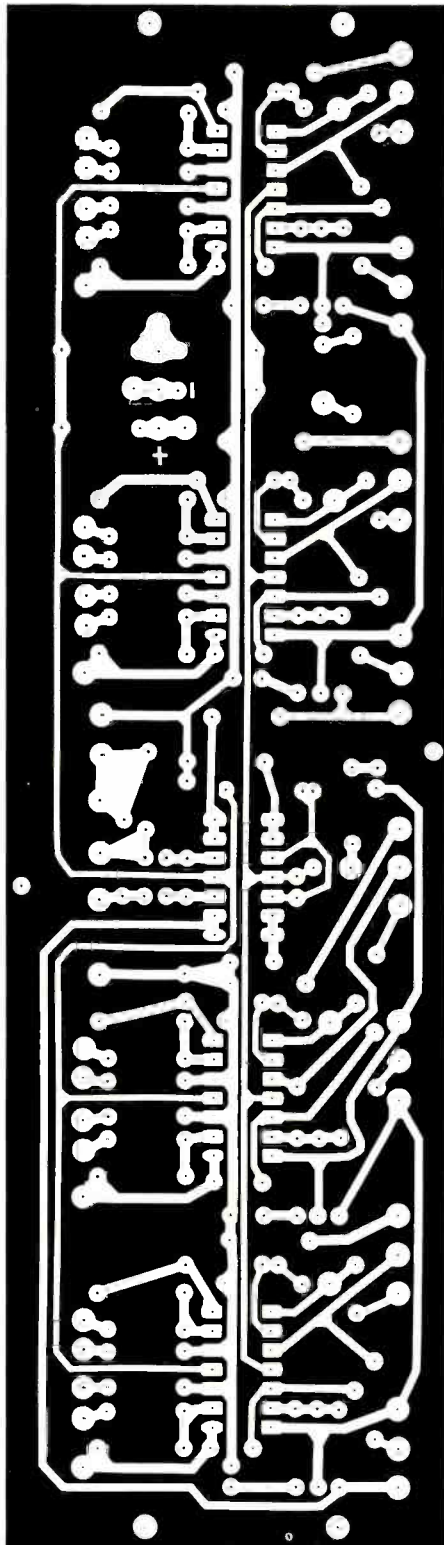


Fig. 5. Actual-size etching and drilling guide for the main printed circuit board.

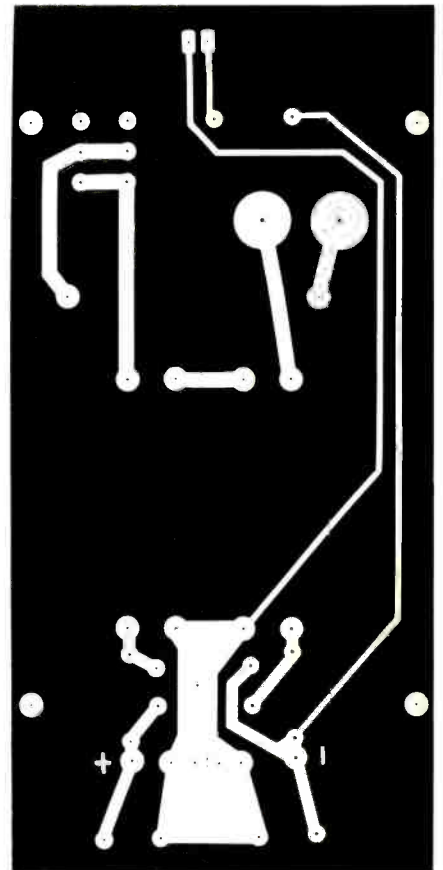


Fig. 6. Use this board for an ac power supply.

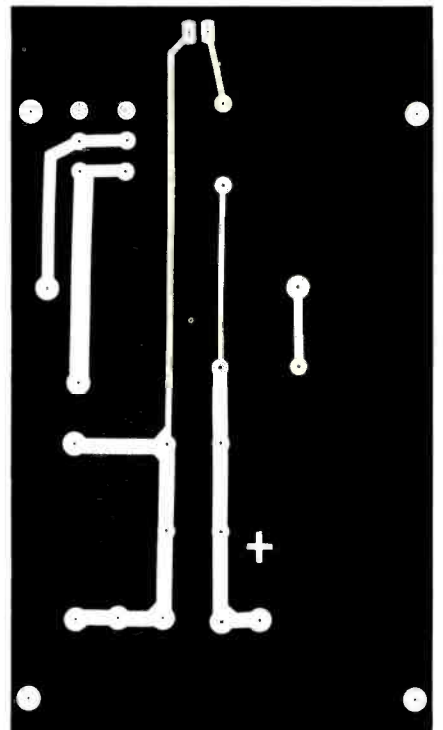


Fig. 7. If a dc supply is available, use this board.

Audio Project

ground" symbols). The artificial grounds derived by IC1C and IC1D are shown as conventional "chassis ground" symbols. Note that the grounds within the equalizer sections (for example, the noninverting inputs of the op amp integrators) are artificial grounds above vehicle and system ground.

Capacitive coupling between the input jack and the op amp input buffer and between the output of the high-band equalizer and output jack prevents dc offsets both internal and external to the equalizer from having a deleterious effect on the performance of the entire system. It is because of the dc offsets present in the dc-powered equalizer that the "hot" sides of the input and output jacks are returned to system ground but the signal

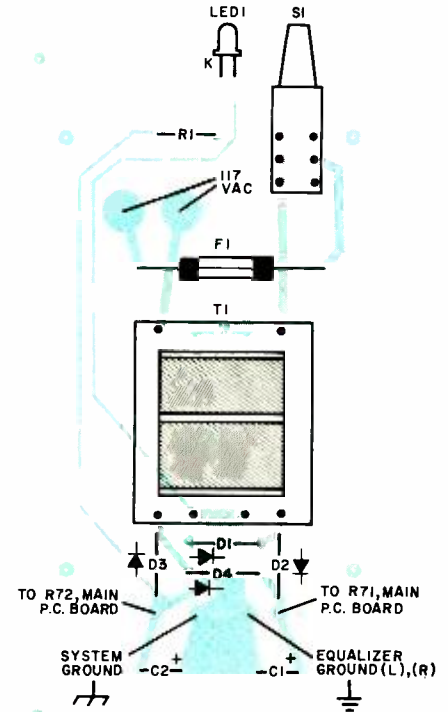
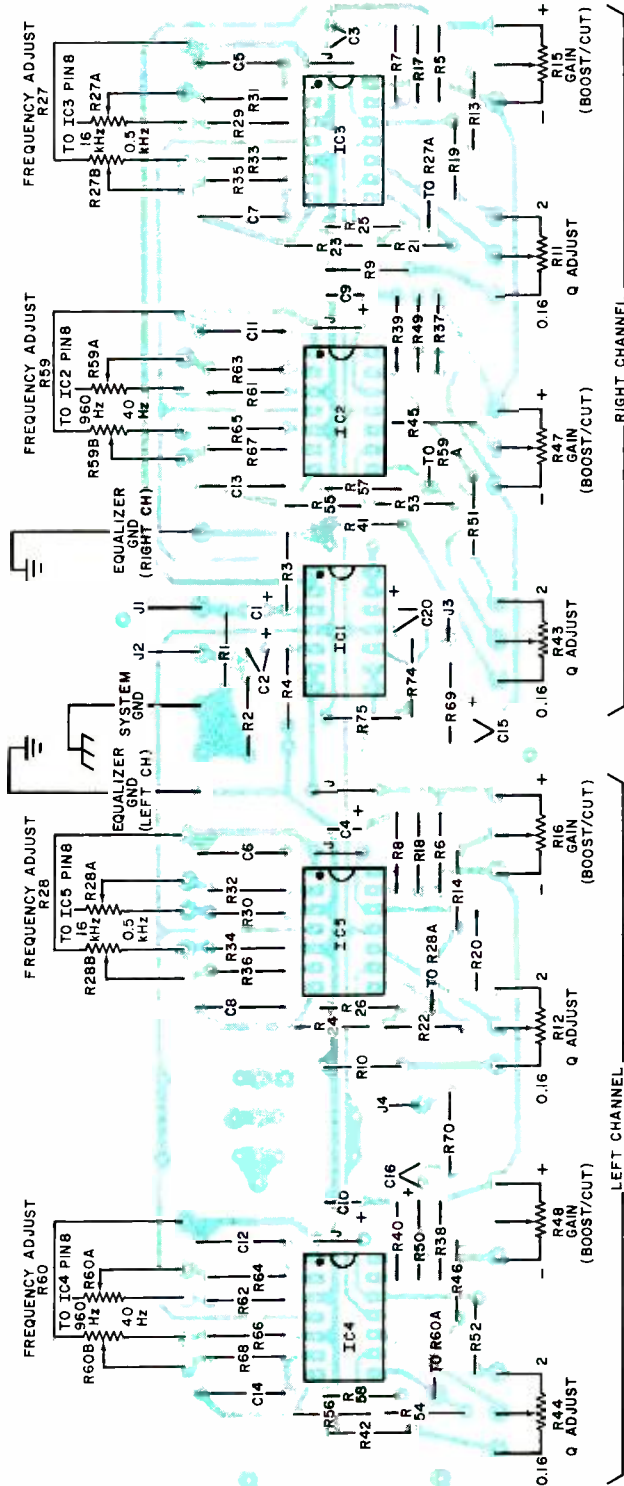


Fig. 9. Component placement for the ac power supply.

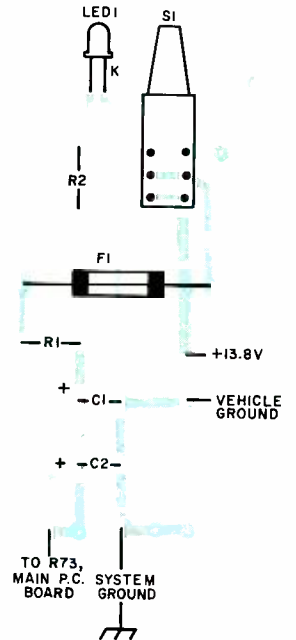


Fig. 10. Component placement for the dc power supply.

Fig. 8. Component placement for the main pc board for the equalizer. Note vacant pads near upper left to make connections to power supplies.

Creative Computing can help you select the best computer and get the most out of it.

With so many new personal computers being announced and the prices coming down so rapidly, isn't the best bet to wait a year or so to buy a system?

We think not. A pundit once observed that there are three kinds of people in the world: 1) those who make things happen, 2) those who watch things happen and 3) those who wonder what happened. Today, it is those who are getting involved with microcomputers who are making things happen by learning to use computers effectively.

Furthermore, it is not likely that we will see the same dramatic price declines in future years that have already taken place. Rather, one will be able to get more capability for the same price.



The TI-99/4 has excellent color graphics and costs \$1150 including color TV monitor.

Which system is for you?

No two people have exactly the same needs. You'll have to determine what capabilities are important to you. Key variables include:

- Upper and lower case. Obviously vital if you are planning to do word processing or anything with text output.
- Graphics. Most systems have graphics but the resolution varies widely. How much do you really need?
- Color. Some systems are B&W, some have 4 colors, others up to 256 colors. Many colors sounds nice, but do you really need 4, or 16, or more?
- Mass storage. The smaller systems are cassette based; larger systems offer floppy disks or even hard disks. What size data bases do you intend to use and is it important to have high-speed random access to an entire data base?
- Languages. Basic is standard but increasingly Pascal, Fortran, Cobol and special purpose languages are being offered.
- Audio, Speech, Music. Are these features important for your planned applications?
- Applications Software. Third party software is widely available for some systems, non-existent for others. Do you need this, or can you write your own?

Unbiased, in-depth evaluations.

At Creative Computing, we obtain new systems as soon as they are announced. We put them through their paces in our Software Center and also in the environment for which they are intended — home, business, or school. We published the first in-depth evaluations of the Texas Instruments 99/4, Atari 800, TRS-80, Ohio Scientific Challenger, Exidy Sorcerer, Apple II disk system and Heath H-8. We intend to continue this type of coverage, not only of systems, but peripherals and software as well.

Sorting: A Key Technique

While evaluations are important, the main focus of Creative Computing magazine is computer applications of all kinds. Many of these require that data be retrieved or sorted. Unfortunately, most programming texts focus on the bubble sort (or straight insertion) and, very infrequently, another technique (usually delayed replacement) and let it go at that.

Yet, except for comparison counting, the bubble sort is the least efficient. Tutorials and articles in Creative Computing demonstrate that the Shell-Metzner and Heapsort are from 50 to 13,000 times as fast as the bubble sort! Consider a sort of 100,000 items on a DEC System 10:

Bubble sort	7.1 days
Delayed replacement	3.8 days
Heapsort	17.3 minutes
Shell-Metzner	15.0 minutes

Needless to say, on a microcomputer, a bubble sort of even 1000 items is agonizingly long.

Free Sorting and Shuffling Reprint

Because sorting and shuffling (mixing a list of items) is so vital in most programming, we are making available a 20-page reprint booklet on **Sorting, Shuffling and File Structures** along with our May 1979 issue which has several articles on writing user-oriented programs and making the most of available memory space. The reprint booklet and issue are free with 12-issue or longer subscriptions.

At Creative Computing, we believe that computers can be of benefit to virtually every intelligent person in the



Free reprint booklet and issue with a new subscription to Creative Computing.



Contributing editor Ted Nelson (L) is author of "Computer Lib/Dream Machines." Publisher David Ahl (R) is a pioneer in computer models, simulations and games.

country. We do not believe that the "Computer priesthood" should confuse and bully the public. As Ted Nelson stated in the Computer Lib Pledge, we do not treat any question as a dumb question, since there is no such thing. We are against computer terms or systems that are oppressive, insulting or unkind, and we are doing the best we can to improve or replace such terminology or systems. We are committed to doing all we can to further human understanding and make computers easy to understand, interactive wherever possible, and fun for the user. The complete Computer Lib Pledge is contained in our May 1979 issue which we are furnishing free to new subscribers.

Computer literacy to everyone

The Creative Computing Software Division is participating with Children's Television Workshop in an important new venture, Sesame Place. These theme parks are being designed to bring interactive computer games and simulations to young children (and their parents) and remove the mystique of computers from the youngest segment of our population. In addition, we are participating in projects with several school systems and museums to write reading comprehension and ecology simulations software. We are also involved in a major college-level computer literacy project.

As a subscriber to Creative Computing, you will benefit from all of these activities. Creative Computing is the Number 1 software and applications magazine. Subscribe today — 12 issues for \$15 (\$9 saving over the newsstand price). Or, beat inflation and get 36 issues for just \$40. Money back if you're not satisfied. Send payment or Visa, Master Charge or American Express number to:

Creative Computing, Attn: Peggy
P.O. Box 789-M
Morristown, NJ 07960

Save time, and call your order toll-free to:
800-631-8112

(In NJ call 201-540-0445)

Creative Computing

paths within each equalizer circuit are referenced to the artificial grounds. In the ac-powered equalizer, however, the bipolar dc voltages furnished by the power supply obviate the need for separate system and equalizer grounds. The two are shown connected together in the schematic of Fig. 3.

Results of tests on the prototype performed by the author at his own lab are shown in the box. You will note that all performance specifications but one are identical for both the dc and ac versions of the Parametric Equalizer. The one area in which the two differ is in the maximum voltage swing that can be generated at the output jack. The reason for this is that in the ac-powered equalizer the potential difference between the V+ and V- supply rails is 30 volts, but the potential difference between the supply rails in the dc-powered equalizer is less than half of this value if the dc power source delivers 13.8 volts. However, even in this situation there exists substantial headroom—most (if not all!) autosound power amplifiers require far less drive than 13.8 volts peak-to-peak to develop their maximum levels of output power. Greater output voltage swings can be obtained by increasing the voltage provided by the dc source. The circuit as shown can be used with supplies from +12 to +30 volts.

Construction. The use of printed circuit assembly techniques is recommended. Full-size etching and drilling guides for the main, ac power supply, and dc power supply circuit boards are shown in Figs. 5, 6, and 7, respectively. The corresponding parts placement guides are shown in Figs. 8, 9 and 10.

Mount all components on the circuit boards as shown in the parts placement guides. Begin by installing the jumpers on the main pc board. Then install the fixed resistors and nonpolarized capacitors. Taking care to observe polarities and pin basings, mount the electrolytic capacitors and semiconductors. The use of IC sockets or Molex Soldercons will facilitate replacement of ICs should that become necessary. Interconnection between the main board and the phono jacks and potentiometers can be made using flexible hookup wire. If desired, signal paths between the board and the jacks can be made with shielded cable.

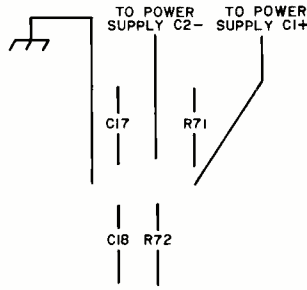


Fig. 11. Special wiring of the main pc board for use with an ac power supply.

This will not be necessary, however, if the project is housed in a grounded metallic enclosure. Special wiring of the main board for ac-powered operation is shown in Fig. 11. Wiring details for dc operation are shown in Fig. 12.

Assemble either the dc or ac power supply to fit the intended application of your Parametric Equalizer. Observe the polarities of electrolytic capacitors and diodes, including the LED pilot light. Fuse F1 mounts directly on the board and should be soldered to it using pigtail leads. The author designed the power supply boards to accommodate a special push-on/push-off power switch, but any panel-mount switch can be used.

When assembling the circuit boards, be sure to use the minimum amount of heat and solder consistent with the formation of good solder connections. Scrutinize your work after the boards have been completed, paying close attention to polarities, pin basings, power supply wiring and interconnection be-

tween the two circuit boards. Make sure that no solder bridges have been created inadvertently.

When all wiring has been completed, mount the circuit boards, jacks and controls in a shielded enclosure. A photograph of the author's ac-powered prototype is shown in Fig. 13. Route power leads out of the enclosure using a protective strain relief. Connect the power leads to a suitable source. Using shielded patch cords, route line-level signals from the tape monitor output of your preamplifier or receiver (or from the preamplifier output) to input jacks J1 and J2. Similarly, patch signals from output jacks J3 and J4 back to the tape monitor loop or to the input of the power amplifier. The project is now ready for use.

Using the Parametric Equalizer.

Because this project is so flexible, there is no one "correct" way to use it. Its variable Q and center frequency allow the user to boost or attenuate a select group of frequencies. A high Q restricts the boost or cut introduced to a narrow part of the spectrum (less than one octave). A low Q causes broader changes to be introduced.

Adding some sharp boost at the very low and high ends of the audio spectrum allows the user to compensate for speaker rolloff. A broad dip inserted at the midband makes possible the simulation of a loudness contour to enhance low-level listening. The Parametric Equalizer is also adept at compensating for unwanted room resonances. A high-Q cut can reduce audio output at the resonant frequency with little effect on nearby frequencies.

The usual technique for coping with room resonances is as follows. Drive the system with a wideband audio signal



Fig. 12. Special wiring of the main pc board for use with a dc power supply. Note two jumpers on IC1 at right.

and boost the bass region using the Parametric. Using a high Q setting, vary the center frequency of the low-band equalizer until you discover the room's fundamental resonant frequency. (That's the one at which the walls start shaking and the furniture moves around the floor.) Now reduce the setting of the BOOST/CUT control for more even-sounding bass. The high-band equalizer can be used to brighten up a room that is too "dead" acoustically or to attenuate treble response in a room that is too "alive."

You will undoubtedly find other uses for this versatile project. Those who listen to music analytically will appreciate the ability to zero in on one particular instrumental (or human) voice. Amateur recording engineers can employ the Parametric to tailor the sounds of a mix. And, of course, anyone whose speakers have response irregularities will be able to smooth them out.

One word of caution—don't blindly apply large amounts of deep bass and extreme treble boost in an attempt to flatten the response of your system at the upper and lower limits of the audible spectrum. Experience has shown that

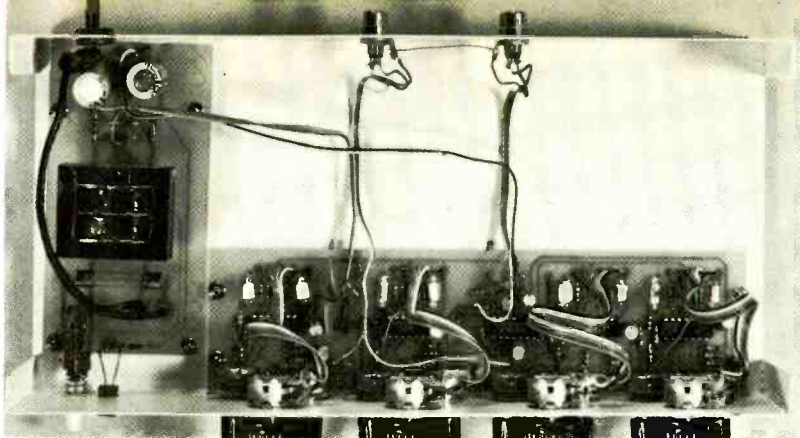


Fig. 13. Interior view of prototype using ac power supply.

room/system combinations are best equalized by first employing acoustic methods, followed by electronic equalization. For example, you should first try repositioning the loudspeakers, modifying the absorption coefficients of the room, and adjusting the speakers' crossover level controls (if any).

Most often, a lack of deep bass and extreme highs is due to the limitations of dynamic drivers. Don't try to force flat response out of your speakers by cranking up the BOOST/CUT controls. The results of such attempts frequently include overloaded amplifiers, excessive distortion, and blown voice coils. Remem-

ber—equalization should be introduced intelligently.

In Conclusion. We have presented a stereo Parametric Equalizer project that is well suited for home, mobile, and portable applications. It provides a high level of performance and the flexibility of control inherent in the parametric design, enough flexibility for most readers. Those who require more bands of equalization per channel can reproduce two or more complete equalizers and connect them in cascade for even greater control over the sounds they record or reproduce. ◇

TIMEGLOW

Timeglow Company Ltd. — A company exclusively devoted to electronic time "movements"

Our prices are **LOWEST** because we specialize in time systems. All merchandise 100% guaranteed.

NEW Digital Electronic Alarm Clock Systems and Clock/radio Modules in **RED, GREEN, YELLOW, or BLUE**

Now you can make a digital clock anywhere and in any color you want. Step by step instructions provided for systems. Only soldering iron and solder needed for easy assembly.



- Functional Features TG 1001 and TG 1002**
- Available in two display sizes: TG 1001, 6" (15mm) and TG 1002, 9" (23mm)
 - High efficiency "RED", "GREEN" and "YELLOW" LED display
 - User programmable 12/24 hr., 50/60 Hz. fixed or flashing color indicator.
 - On board alarm oscillator
 - P.M., Colon, Alarm "ON" LED indicators
 - Multiple 9-minute snooze counter
 - Direct drive LED display - no RFI
 - 24 hr. alarm with ON-OFF control
 - Display flashes after power has been interrupted for more than 2 seconds
 - Insensitive to temporary loss of power (2 sec.)
 - Easy to use slow, fast and seconds time set controls
 - One finger 59-minute sleep counter setting
 - Four display modes (TIME, SECONDS, ALARM and SLEEP)
 - Leading zero blanking
 - External brightness control capability
 - On board radio switch for clock radio applications
 - Pulsating 2 kHz alarm tone output
 - Operates from single winding transformer.

Kit includes: Clock Module, Transformer, AC Line Cord, Switches, Speaker, Wire Nuts, and Connecting Wire.

- Functional Features TG 1003**
- User programmable 12 or 24 hr. and fixed or flashing color indicators.
 - Digit size: 3" (7.5 mm), 4 digit fluorescent indicator panel.
 - Hours, minutes, seconds set controls
 - Hours, minutes, seconds reset control with on the hour signal output (1024 Hz, 1 sec)
 - Speaker included
 - Operates from 12 VDC supply
 - Lockout of time setting when display is "off" with display mode select.
 - Automotive display brightness control logic
 - Crystal controlled oscillator (4,194,304 MHz)
 - Bright 0.3" vacuum fluorescent display filterable to Blue, Green and Yellow.
 - Protected against automotive voltage transients and battery reversal.
 - Convenient no roll over time setting controls at 1 Hz rate
 - Leading zero blanking

- Functional Features TG 1004**
- LED 4" (10mm) 4 digit display
 - A.M., P.M. indicator (for 12 hr. only), W.K. (wake time) and T.M. (sleep time) indicators.
 - 12 or 24 hr. available
 - User programmable fixed or flashing color
 - On board alarm oscillator
 - Multiple 7 minute snooze counter
 - 24 hr. alarm with on-off control
 - 59 minute sleep counter setting
 - Convenient no roll over time setting controls at 1 Hz rate on hours and minutes
 - Hours, minutes reset control with on the hour signal output.
 - Crystal controlled oscillator of 32.768 kHz
 - Leading zero blanking

TG 1005 — A 12 or 24 hr clock module featuring 4 digit, 6" (15mm), vacuum fluorescent display filterable to Blue, Green or Yellow. OTHER features similar to TG 1001.

Digital Electronic Alarm Clock System

QTY	ITEM NUMBER	DESCRIPTION	PRICE
	TG 1001 R12-S	LED Red, 12 hr., 6" (15mm) system	\$ 9.95
	TG 1001 R24-S	LED Red, 24 hr., 6" (15mm) system	11.50
	TG 1002 R12-S	LED Red, 12 hr., 9" (23mm) system	11.50
	TG 1002 R24-S	LED Red, 24 hr., 9" (23mm) system	13.00
	TG 1001 G12-S	LED Green, 12 hr., 6" (15mm) system	12.50
	TG 1001 G24-S	LED Green, 24 hr., 6" (15mm) system	14.00
	TG 1001 Y12-S	LED Yellow, 12 hr., 6" (15mm) system	12.50
	TG 1001 Y24-S	LED Yellow, 24 hr., 6" (15mm) system	14.00
	TG 1003 B-S	V.F. Blue, 12 or 24 hr. 3" (7.5mm) system, 12VDC. Case includes switches & speaker	19.95
	TG 1004 12-S	LCD, 12 hr., 4" (10mm) system includes switches & speaker	19.95
	TG 1004 24-S	LCD, 24 hr., 4" (10mm) system includes switches & speaker	19.95
	TG 1005 12-S	V.F. 12 hr., 6" (15mm) system	12.50
	TG 1005 24-S	V.F. 24 hr., 6" (15mm) system	14.00

Clock (radio) Module only

QTY	ITEM NUMBER	DESCRIPTION	PRICE
	TG 1001 R12	LED Red, 12 hr., 6" (15mm) module	\$ 6.95
	TG 1001 R24	LED Red, 24 hr., 6" (15mm) module	7.75
	TG 1002 R12	LED Red, 12 hr., 9" (15mm) module	8.50
	TG 1002 R24	LED Red, 24 hr., 9" (15mm) module	9.25
	TG 1001 G12	LED Green, 12 hr., 6" (15mm) module	8.50
	TG 1001 G24	LED Green, 24 hr., 6" (15mm) module	10.25
	TG 1001 Y12	LED Yellow, 12 hr., 6" (15mm) module	9.50
	TG 1001 Y24	LED Yellow, 24 hr., 6" (15mm) module	10.25
	TG 1003	V.F. 12 or 24 hr. module, 3" (7.5mm) speaker included (no switches no case)	14.95
	TG 1004 12	LCD, 12 hr., 4" (10mm) module	17.95
	TG 1004 24	LCD, 24 hr., 4" (10mm) module	17.95
	TG 1005 12	V.F. 12 hr., 6" (15mm) module	9.50
	TG 1005 24	V.F. 24 hr., 6" (15mm) module	10.25

*For TG 1001 and TG 1002 modules and systems, only the 24 hr. modules have optional 12/24 hr. capability
**After a 4 month introductory period, prices will increase starting Dec. 1, 1975 for systems with \$2.00 and for modules with \$1.50 per item. Accessories prices will remain the same.

Accessories

QTY	ITEM NUMBER	DESCRIPTION	PRICE
	TG 100	Fast and slow set seconds and alarm on-off switch	\$1.00
	TG 101	Snooze and alarm set switch	1.00
	TG 120 LE/VF	Transformer 120V	2.00
	TG 220 LE/VF	Transformer 220V	3.00
	TG 300	Speaker for alarm	1.00
	TG 400	Line cord 220V (Europe)	1.00
	TG 401	Line cord 220V (Europe)	2.00
	TG 500	Case for TG 1000 (3 1/4" x 2 1/4" x 2")	5.95

Shipping and Handling Charges

For clock systems add \$2.50 per system.
For modules and accessories (except transformers) add \$1.00 per order.
For transformers add \$1.00 per transformer.
For orders over \$100.00 - no charge.
We ship worldwide - Add 20% for overseas orders.
Prices subject to change without notice.
To order, call or send check/money order with order form to: Microgram, Inc. 14320 Saratoga-Sunnyvale Road Saratoga, CA 95070 U.S.A.
Tel: (408) 867-5659
TWX/TELEX: 910-590-9000 Microgram

Name _____ Phone _____

Address _____ City _____ State _____ Zip _____

Charge card number VISA/MC _____ Exp. Date _____

For MC include 4-digit interbank number _____ Signature _____

Dealer Inquiries solicited - Ask for confidential price list on your letterhead.

Total price of items checked above	_____
Calif. residents add 6% sales tax	_____
Shipping & handling charges	_____
Total check or money order	_____

OEM customers: Large discounts available.

A REAL-TIME octave spectrum analyzer is an invaluable audio test instrument for anyone who wishes to adjust an equalizer to compensate for room or system deficiencies, evaluate and compare loudspeakers, test a hi-fi system's response, and perform other types of acoustic analyses.

Usually, such a device is very expensive. The analyzer described here, however, can be built at reasonable cost, is simple to operate, and when powered by its internal battery, can be hand-held while in use.

The instrument passes the audio output of its internal microphone capsule through 10 octave-spaced bandpass filters and displays the levels in the various bands on a 10 x 7 LED matrix. Decay time of the display can be short, long, or indefinite, depending on the setting of a switch. In addition, the 31-Hz channel can be switched to read out the average level of the total audio signal, allowing the analyzer to be used as a sound-level meter.

Circuit Operation. As shown in Fig. 1, the audio input at J1 is fed to a buffer in IC1A. The gain (11.8) of this stage is set by the ratio of R5 + R6 to R5. After amplification, the signal forms the common audio input to 10 two-pole bandpass filters as shown in Fig. 2. The center frequencies of the filters were chosen to match the ISO standards for 10-band octave equalizers, making the analyzer as useful as possible in consumer applications. Center frequencies are 31.25, 62.5, 125, 250, 500, 1000, 2000, 4000, 8000, and 16,000 Hz. To produce at least a 15-dB attenuation of adjacent octave center frequencies, a Q of 3.75 was chosen. This produces a clean display while retaining the excellent selectivity for measurement accuracy. The gain of each filter is -2.86 or about 9 dB.

The bandpass output of the filter is rectified (half-wave) by a diode (Fig. 2) and averaged by R_F, C_C, R63, R64, and R65 (Fig. 3). The average network is peak-weighted with the attack characteristics determined by R_F and C_C. The specific value of the attack time constant varies between the filters according to the bandpass center frequency and the values of the audio energy present in that region. The decay time constants are selected by S2B (Fig. 3). The FAST

BY JOHN PFEIFFER and WILLIAM EPPLER

BUILD A
Hand-Held
LED
Spectrum
Analyzer

Real-time octave spectrum analyzer features ten bands for performing a variety of useful audio tests and adjustments





Fill it up with premium.

What premium gasoline can do for your car, premium tape can do for your car stereo.

And there's no finer premium tape than Maxell.

Every type of Maxell tape is designed to give you the widest frequency response, the highest possible signal-to-noise ratio and virtually no distortion. All of

which results in *high octane* sound.

And to make sure our cassettes don't run out of gas somewhere down the road, we've constructed them to tolerances as much as 60% higher than industry standards. We use the finest high-impact styrene, precision pins, polyester and screws.

Because of this, we believe Maxell makes the world's finest cassettes.

And every year, hundreds of thousands of people who own car stereos are driven to the same conclusion.



CIRCLE NO 37 ON FREE INFORMATION CARD

Maxell Corporation of America, 60 Oxlard Drive, Moonachie, N. J. 07074

Audio Project

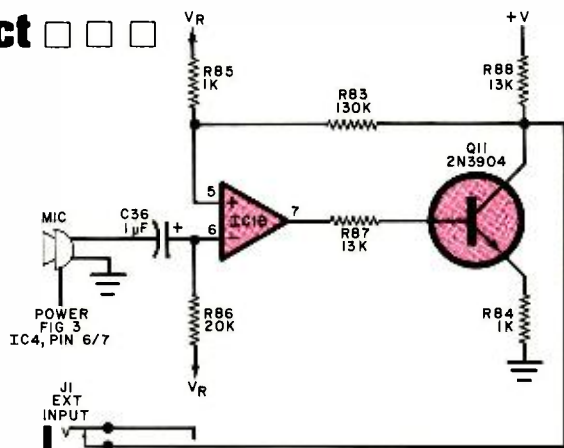
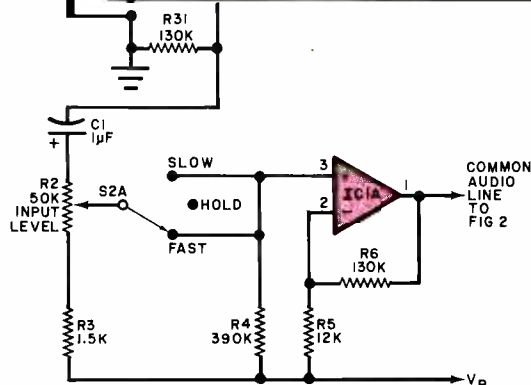


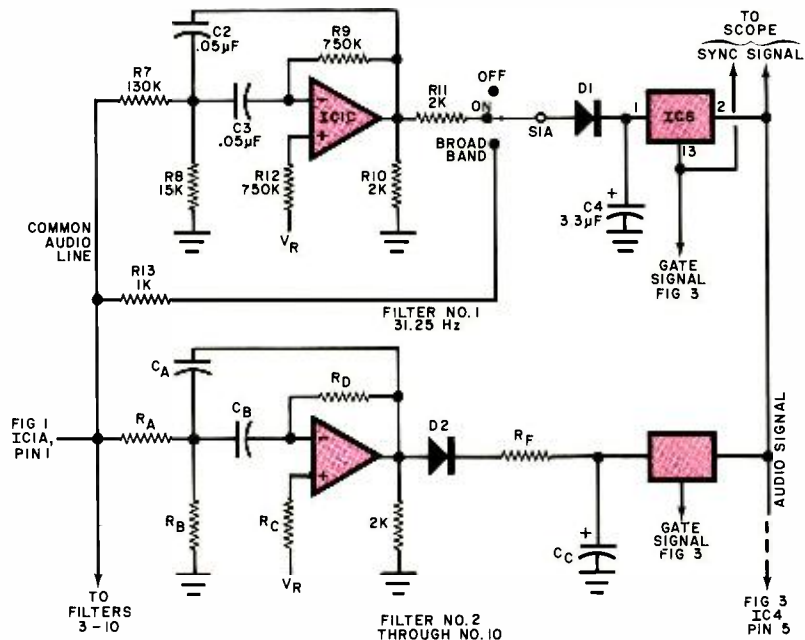
Fig. 1. Input to the analyzer can be directly through J1 or via a microphone with a preamp.

Fig. 2. Incoming audio goes to 10 bandpass filters. Values of components for filters 2 through 10 are given in table below.



PARTS LIST

- B1—8 AA cells
 - C1, C16, C19, C22, C25, C28, C31, C36—1- μ F, 16-V low-leakage radial-lead electrolytic
 - C2, C3, C5, C6, C9, C12, C14, C15—0.05- μ F, 100-V 5% Mylar
 - C4—3.3- μ F, 16-V low-leakage radial-lead electrolytic
 - C7, C10, C13—2.2- μ F, 16-V low-leakage, radial-lead electrolytic
 - C8, C11—0.047- μ F, 100-V 5% Mylar
 - C17, C20, C21—0.01- μ F, 100-V 5% Mylar
 - C18—0.033- μ F, 100-V 5% Mylar
 - C23—0.0047- μ F, 100-V 5% Mylar
 - C24—0.0033- μ F, 100-V 5% Mylar
 - C26, C27—0.0022- μ F, 100-V 5% Mylar
 - C29, C30, C34—0.001- μ F, 100-V 5% Mylar
 - C32, C33—33- μ F, 6-V radial-lead electrolytic
 - C35—33- μ F, 16-V radial-lead electrolytic
 - D1 through D10—1N4148
 - DISP1, DISP2—5 x 7 LED matrix (1EE Type LRT1057R) or 70 subminiature red LEDs.
 - IC1, IC2, IC3—LM324 quad op amp
 - IC4—LM3915 LED display driver (National)
 - IC5—CD4017AE CMOS counter
 - IC6, IC7, IC8—CD4016AE CMOS quad analog switch
 - J1—Miniature phone jack (Radio Shack #274-296)
 - J2—Subminiature phone jack (Radio Shack #274-292)
 - LED1—Subminiature red light emitting diode
 - MIC—Electret condenser microphone element (Radio Shack #270-092).
 - Q1 through Q11—2N3904 or equivalent
- Unless otherwise noted, the following are 1/4-W, 5% resistors:
- R1, R6, R7, R68, R83—130,000 ohms
 - R2—50,000-ohm audio-taper miniature thumbwheel potentiometer
 - R3, R47—1500 ohms
 - R4, R16, R19, R63, R66—390,000 ohms
 - R5, R51—12,000 ohms
 - R8—15,000 ohms
 - R9, R12—750,000 ohms
 - R10, R11, R17, R18, R23, R24, R27, R29, R30, R34, R35, R39, R40, R44, R49, R54, R59—2000 ohms
 - R13, R37, R45, R50, R84, R85—1000 ohms
 - R14, R53—68,000 ohms
 - R15—7500 ohms
 - R20—36,000 ohms
 - R21—3900 ohms
 - R22, R25—200,000 ohms
 - R26—18,000 ohms
 - R28—100,000 ohms



Filter	Frequency (Hz)	R _A *	R _B	R _C	R _D	R _F	C _A **	C _B	C _C
2	62.5	68	7.5	390	390	2	0.05	0.05	2.2
3	125	36	3.9	200	200	2	0.047	0.05	2.2
4	250	18	2	0	100	2	0.047	0.05	2.2
5	500	8.2	0.91	0	47	2	0.05	0.05	1
6	1,000	20	1	0	75	2	0.01	0.033	1
7	2,000	11	1.2	0	62	1	0.01	0.01	1
8	4,000	11	1.5	0	75	1	0.0047	0.0033	1
9	8,000	12	1.2	0	68	0.75	0.0022	0.0022	1
10	16,000	13	1.2	0	75	0.33	0.001	0.001	1

*Resistances in kilohms.

**Capacitances in microfarads.

mode is useful for displaying the spectrum of speech, music, and other rapidly varying signals. SLOW is used for measuring noise and frequency response. HOLD removes the input signal and defeats the decay network to hold any display condition for several seconds, so the user can record data, change measurement position, etc.

To save cost and space, the LED display matrix and display driver IC4 are multiplexed among the 10 bandpass filters as shown in Fig. 3. The outputs of IC5, a CMOS decade counter, are normally low and go high only at their respective decoded time slots and remain

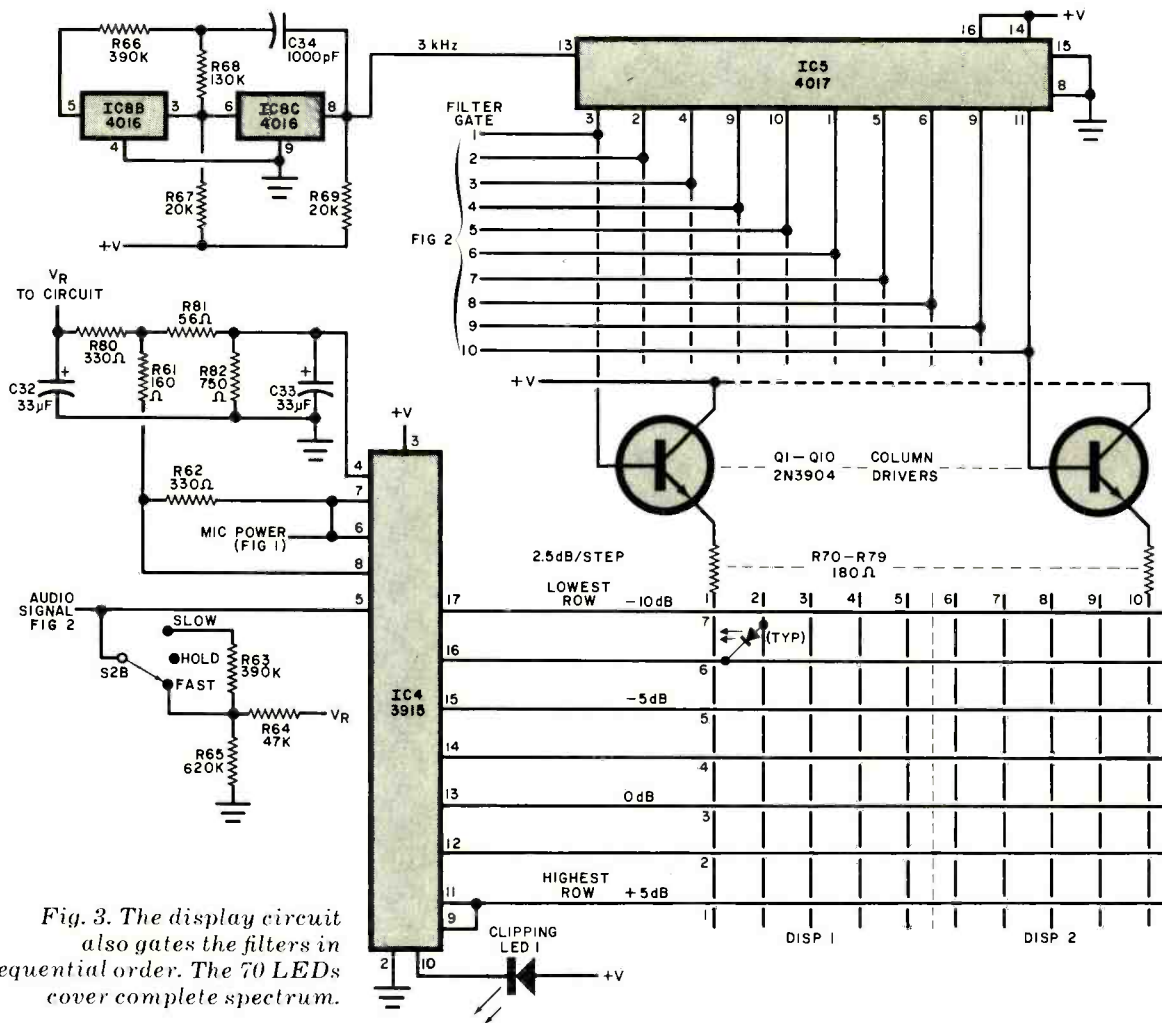


Fig. 3. The display circuit also gates the filters in sequential order. The 70 LEDs cover complete spectrum.

- R31—8200 ohms
- R32—910 ohms
- R33, R64—47,000 ohms
- R36, R67, R69, R86—20,000 ohms
- R38, R48, R58—75,000 ohms
- R41, R46—11,000 ohms
- R42, R52, R57—1200 ohms
- R43—62,000 ohms
- R55, R82—750 ohms
- R56, R87, R88—13,000 ohms
- R60, R62, R80—330 ohms

- R61—160 ohms
 - R65—620,000 ohms
 - R70 through R79—180 ohms
 - R81—56 ohms
 - S1, S2—Double-pole, triple-throw toggle switch
 - Misc.—Suitable enclosure, hardware, hookup wire, battery box (2) (Radio Shack 270-391), double-sided foam tape, external power source (8-15 V dc at 100 mA), etc.
- Note: The following are available from Gold

Line Inc., P.O. Box 20, Redding, CT 06875 (203-938-2588); Complete Model ASA-10 kit including microphone, battery box, and custom-molded case for \$139. Also available separately: kit of parts excluding battery box, microphone, and case for \$109; set of etched and drilled circuit boards for \$18; case and microphone for \$30; pc boards, LED displays, and LM3915 for \$35. Connecticut residents add state sales tax.

high for one full clock period. This sequentially enables the LED matrix columns through buffers Q1 through Q10.

Two transmission gates in IC8 make up the counter clock, as shown in Fig. 3. For the values given, the oscillator frequency is approximately 3000 Hz (0.33 ms period). This frequency is not critical. Since the oscillator has active pull-down, the rise time is slow. Therefore, counter IC5 must be toggled on the falling edge of the clock. This is accomplished by connecting the normal clock input at pin 14 to high and toggling clock-enable input pin 13.

Decoded outputs from IC5 multiplex

the bandpass filter average networks to the input of the IC4 display drive through CMOS transmission gates located at the output of each filter network (Fig. 2). Since the decay network consisting of R63 through R65 is connected to any particular averaging capacitor (C_C) for one-tenth of the time and that interval is much smaller than the time constant of R64C_C, the effective decay resistance is 10 times greater than the actual circuit value.

In the HOLD mode, the reflected input impedance of IC4 is also 10 times greater, producing an almost negligible drift as a sample-and-hold circuit. By far, the

dominant factor in the HOLD mode is the leakage of the averaging capacitors. The decay rate in the 500-Hz channel, for example, in the FAST mode is 0.87/(R64 × 1 μF) or about 18 dB/second. In the SLOW position, the rate is 0.87/[(R63 + R64) × 1 μF] or about 2 dB/second.

Integrated circuit IC4 is designed to sense analog voltage levels at its input and provide up to 10 individual current-regulated outputs. This allows direct LED interface for a logarithmic analog display with 3-dB/segment scaling. The IC contains its own adjustable reference and accurate 10-step voltage divider. Because of excellent on-chip matching,

Audio Project

display nonlinearity can be held to less than 1%. A single control-pin changes the display from dot to bar-graph.

In this analyzer, the dot mode was selected to minimize current requirements and provide a pleasing display. Only

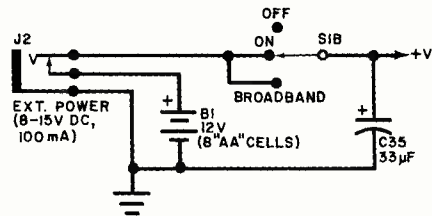


Fig. 4. Use power from internal batteries or external dc source.

seven of the available LED outputs are used, due to display matrix size. A clipping indicator LED is wired to IC4 at pin 10 to indicate an overrange condition. Resistors R70 through R79 reduce power dissipation in IC4.

Average current in each LED is 4 mA, and bias voltages remain constant for any supply potential between 8 and 15 volts dc. Step size also remains fixed so that calibration and LED brightness are independent of battery condition. The power source circuit for the analyzer is shown in Fig. 4.

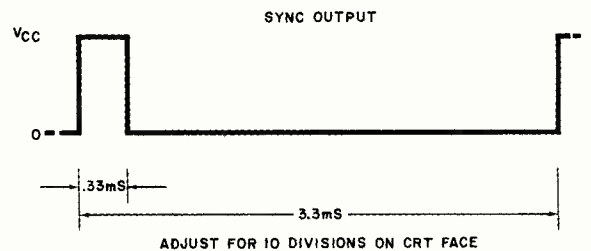
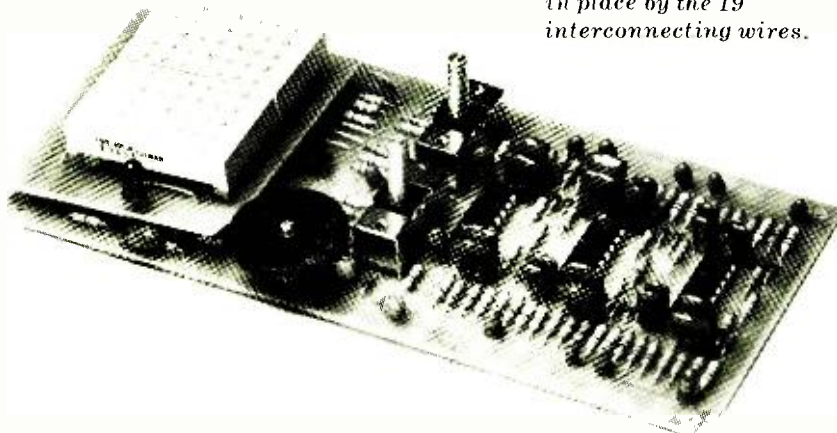
Although IC4 has a 3-dB/step scale factor, the voltage drop across the signal rectifier diodes (D1 through D10) varies in a roughly logarithmic fashion with signal amplitude. This modifies the relationship of display increment to input level. Bias voltages and diode current have been set to make display increments of 2.5 dB/step.

In addition to controlling power to the

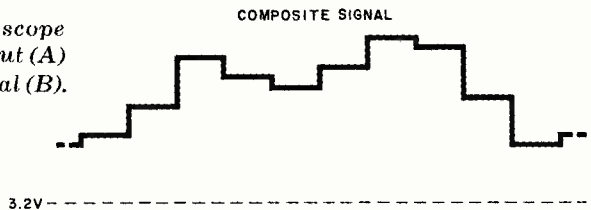
unit, S1, when set to BROADBAND, changes the function of the left-most display column from 31-Hz bandpass to peak-weighted broadband. This is useful for noise measurements and level display, but note should be taken of the 9-dB gain of the spectrum display relative to the broadband channel.

When EXT INPUT jack J1 is not used, a calibrated microphone is automatically connected to the input buffer (Fig. 1). The microphone preamplifier has a gain of 131. Transistor Q11 increases the gain/bandwidth product of the preamp.

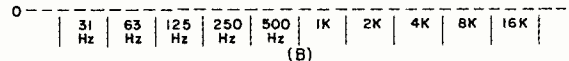
Photo of prototype shows how board with two display assemblies is mounted over the main board and held in place by the 19 interconnecting wires.



(A)



3.2V



SPECIFICATIONS

External Input

- Impedance: 33,000 ohms
- Gain to broadband display:
 - 11.8 (21 dB) max.
 - 0.34 (-9 dB) min.
- Input for clipping display:
 - Broadband: 150 mV min.
 - 3.8 V max.
 - Spectrum: 57 mV min.
 - 1.4 V max.

Microphone Input

- Impedance: 20,000 ohms
- Gain: 131 (42 dB)

Display

- Step increment: 2.5 dB \pm 1/2 dB
- Attack time/averaging window: 0.33 ms to 6.6 ms*
- Decay time (500 Hz channel):
 - Fast: 18 dB/s
 - Slow: 2.2 dB/s
 - Hold: 10 mV/s

Scope Outputs

- Sync impedance: CMOS
- Composite impedance: High (use 10X probe)

Power Supply

- Voltage: 8 to 15 V dc unregulated
- Current: 80 mA max.

*Depending on center frequency.

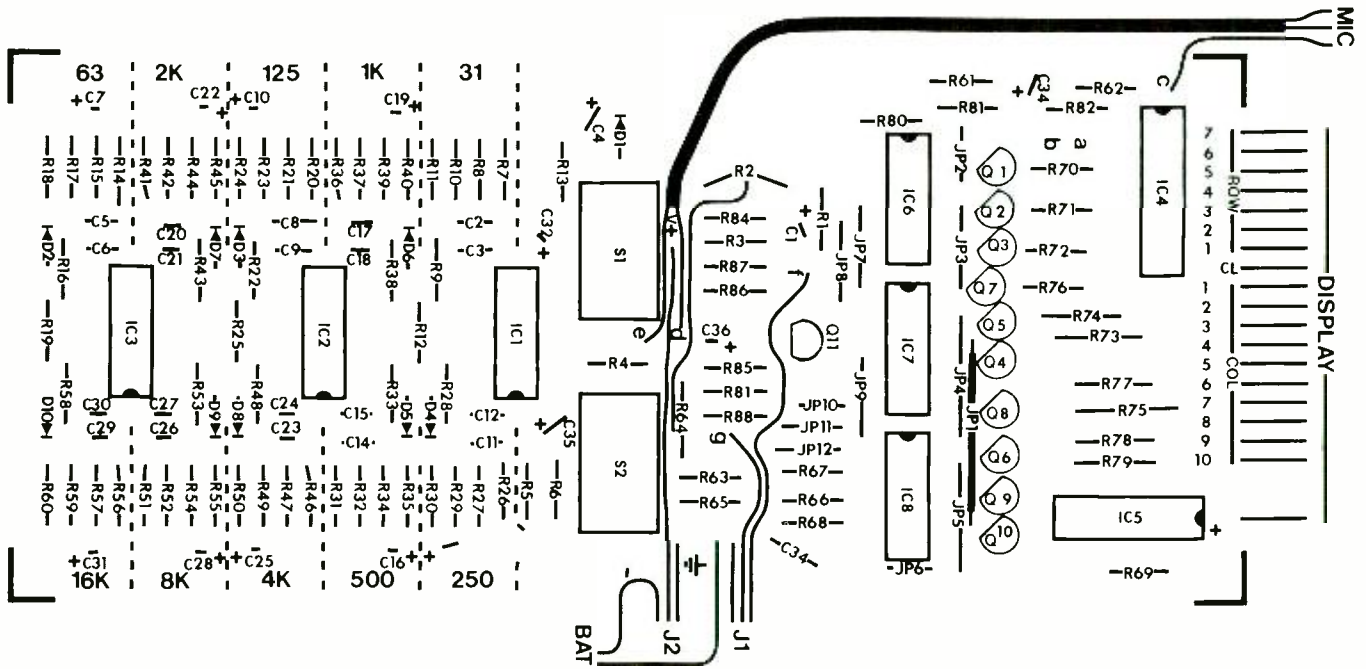
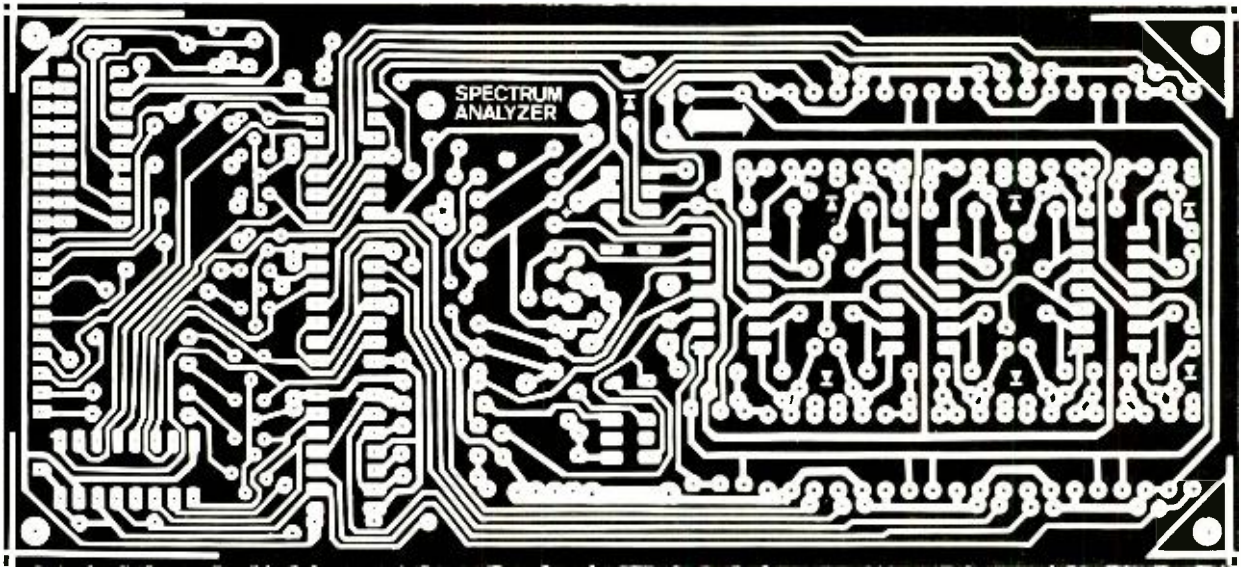


Fig. 6. Actual-size etching and drilling guide (above) and component layout for the main board of the analyzer.

An alternate display is provided by a scope signal as shown in Fig. 2. Connect the sync lead to the sync input of the scope and the signal lead to the scope's vertical input. The scope should be triggered on by the positive edge of the sync signal, and the sweep timebase should be adjusted for exactly 10 divisions between trigger edges. The resulting display will have a linear scale rather than the log scale of the LED display. A typical CRT display is shown in Fig. 5.

Construction. Owing to many components and high packing density, the use of printed circuit boards is essential. Etching and drilling guides and compo-

nent installation layouts for the main and display boards are shown in Figs. 6 and 7, respectively.

Proper orientation of diodes, ICs and polarized capacitors is critical. Also, use 5% tolerance polyester capacitors in the filters to insure accurate center frequency, gain, and Q. As discussed before, proper operation of the HOLD mode depends on the use of capacitors with very low leakage in the bandpass averaging networks. The use of tantalum or low-leakage aluminum electrolytics is urged.

Since the display board is to be mounted very close to the components at the top of the main board, IC sockets cannot be used for IC4 through IC8.

Transistors Q1 through Q10 must be mounted with as little clearance as possible between the bottoms of their cases and the top of the main pc board.

Potentiometer R2 should be mounted on 3/16" spacers with 2-56 small-pattern hardware. The outer terminals of the potentiometer can be connected directly to the board with bare wire. The center lug then connects as indicated in Fig. 6 with a 2" insulated wire.

When assembling the display board, solder the displays directly to the board, noting proper orientation. Solder the clipping indicator LED so that it is flush with the top of the displays.

Once the two board assemblies are

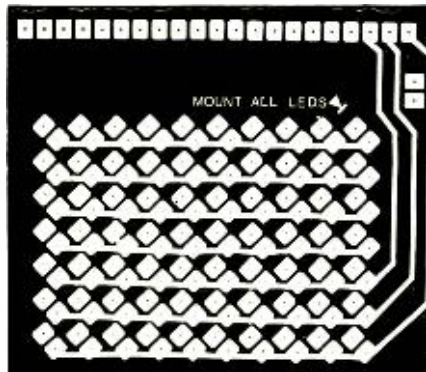
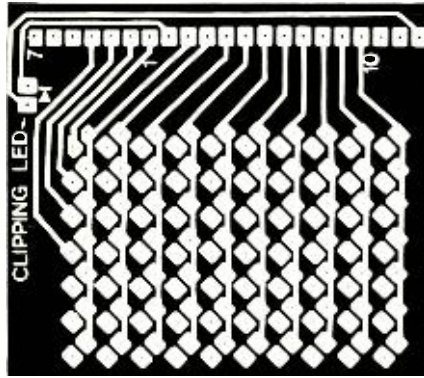


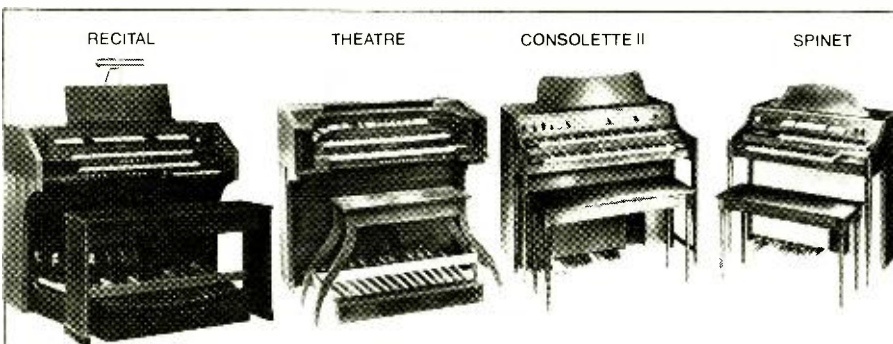
Fig.7. Actual-size foil patterns for the double-sided display board. Pattern at left is for solder side. Above is side on which components are mounted.

wired, they must be interconnected. To do this, insert 1/2" long bare wires through the holes along the top of the display board and solder. Carefully align the wires with the matching holes in the main board. Solder the 19 interconnects allowing 1/4" space between the two boards.

When the project is completely assembled, turn on the power and aim the microphone at a music source. Adjust the level control until a display is obtained. An immediate correlation should be apparent between the sounds you hear or produce and the visual display.

If an audio oscillator is available, connect it through J1 to the analyzer. Every performance aspect can now be checked by setting the oscillator frequency to the various filter center frequencies and changing amplitude.

LEDs of any size or color can be wired according to the schematic. This allows creating a display of nearly any size, shape or color to fit individual requirements. This option may be particularly applicable in rack-mounting. ◇



You can assemble any of these Schober Organs

—and save 50% off store prices.

This coupon will bring you the fascinating Schober color catalog which describes the organs and shows you how easy it is to assemble them from Schober's complete kits. Include \$1 if you want a 12-inch demo record.

The *Schober* Organ Corp., Dept. PE-85
43 West 61st Street, New York, N.Y. 10023

- Please send me the Schober Organ Kit Catalog.
- Enclosed is my \$1 for the 12-inch demo record.

Name _____
Address _____
City _____ State _____ Zip _____

CIRCLE NO. 54 ON FREE INFORMATION CARD

OPTOELECTRONIC SEMICONDUCTORS:

28-PAGE CHOOSE & USE GUIDE



- Describes highly diverse line of optoelectronic devices.
- Gives data on 77 different visible light-emitting diodes, alphanumeric light-emitting diode displays, infrared emitters, photo transistors, opto-isolators... plus mounting hardware.

- Includes electrical & mechanical specifications plus characteristic curves.
- Provides handy cross-reference (other makes to Sprague Products).

Write for your copy of Guide C-710 to Sprague Products Co., 395 Marshall St., North Adams, Mass. 01247.



a subsidiary of GK Technologies

CIRCLE NO. 59 ON FREE INFORMATION CARD

A MONOSTABLE CATALOG

for Experimenters

A guide to today's IC monostable multivibrators emphasizes their usefulness in practical applications

MONOSTABLE multivibrators, sometimes called "one-shots," are electronic circuits that, when triggered, deliver an output pulse of a predetermined width.

Although today's IC monostables still provide the one-shot function, their usefulness has been greatly extended. These modern devices feature multiple inputs with both positive- and negative-edge triggering, complementary outputs, retriggerability and resetability. They are also very easy to use, lower in cost, and available in conventional and low-power TTL and CMOS.

The key features of a number of popular monostables are summarized in the "Catalog." The information is sufficient to enable using the mono without recourse to a data sheet. Summaries of the 555 and 558/559 timers (which can function as a one-shot) are included separately in Figs. 3 and 5.

Triggering. All of the monos in the cat-

alog will trigger from a high-to-low or from a low-to-high transition. For triggering to actually occur on the transition, all inputs must conform to defined logic states. These states are shown in the "Input Table" for each device.

The logic tables in the manufacturers data sheets include inhibit as well as trigger conditions. Only trigger conditions are shown in the Catalog. Any other state is an inhibit.

Each line of the table defines a trigger mode for a "one-shot" output. "A" and "B" designators are used in the Input Tables. Several monos have multiple A and/or B inputs though not all manufacturers use this notation. An "A" input is defined as a high-to-low transition (shown as a down arrow), while a "B" input is defined as a low-to-high transition (shown as an up arrow). The CMOS 4098B/4528/14528 are exceptions—the A and B transitions being reversed.

The A and B inputs have a defined logical relationship to each other, but

these are not consistent between devices. You should go by the Input Table for the mono being used. Triggering occurs at a voltage level independent of the transition time, while rise and fall times are consistent with the type of logic family.

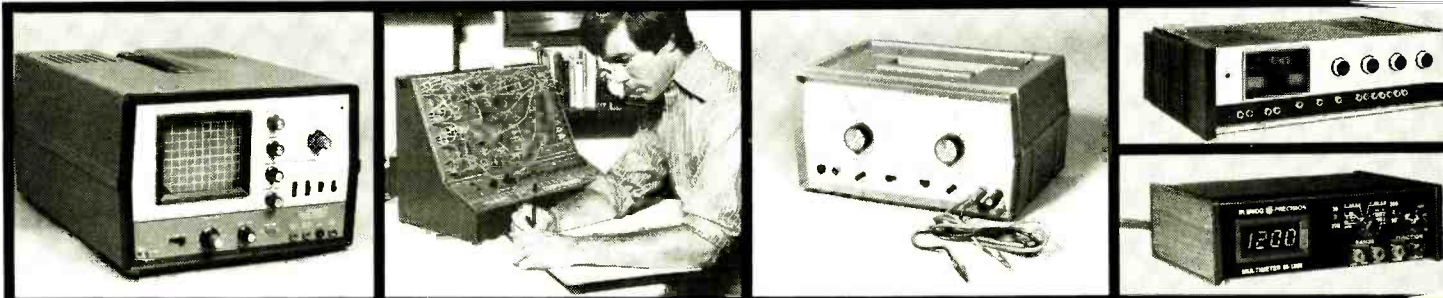
The 74121 and the 74LS221 feature Schmitt circuitry at their B input. They trigger with a 1-volt/s rise time, and provide 1.2 volts of noise immunity.

All of the monos shown provide complementary outputs. The Q output is normally low and goes high for the pulse duration. The not-Q output is normally high and goes low. Pulse width is identical for both outputs.

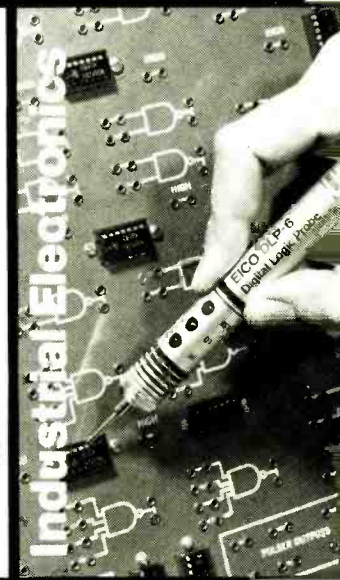
The minimum pulse widths and delay times listed are subject to some conditions. They are included to provide a generalized picture of limiting conditions. If nanosecond timing is critical to your application, consult the manufacturer's data sheet.

(Continued on page 74)

Train with NTS for the MicroComputers, digital the first name



MicroComputers



The world of electronics is daily becoming more challenging. Technology is growing more specialized, and the importance of digital systems increases every day. Test instruments, home entertainment units and industrial control systems are all going digital. And now, NTS training programs include a wider choice of solid-state and digital equipment than ever before offered in any home study course:

Advanced NTS/Heath digital color TV (25" diagonal with optional programming capability), NTS/Heath microcomputer, digital test equipment, digital stereo receiver (70 watts per channel), NTS compu-trainer, plus much more state-of-the-art equipment to make your training exciting and relevant.

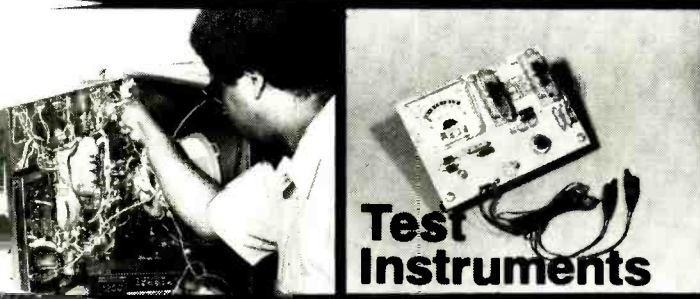
The equipment you receive with NTS training programs is selected to provide you with a solid

background in electronic systems. Kits and lessons are designed to work together to demonstrate electronic principles and applications. The kit-building not only shows you how electronic hardware functions, but how various circuit designs accomplish different purposes. Your lessons guide you through any number of experiments associated with many projects. This is the Project-Method, and it works. Step-by-step, you learn how and why digital electronics has become a part of our world, and the even bigger role it is sure to play in the future.

Whether you are looking for training in Consumer, Commercial, or Industrial electronics, NTS offers fourteen courses, some basic, many advanced, in several areas of electronics. An all-new full-color NTS catalog shows you what each course covers,

electronics of the future.

systems and more...from
in home study.



Test Instruments



Simulated TV Reception

Digital Color TV



Basic Electronics



and every piece of equipment included.
Send for it today, and see for yourself what's really happening in electronics training technology at NTS. Find out how much has changed, and what new directions the field is taking. You'll probably want to be a part of it.
It's free. Just mail the card or coupon. Today.

**NO OBLIGATION. NO SALESMAN WILL CALL.
APPROVED FOR VETERAN TRAINING.**

NATIONAL TECHNICAL SCHOOLS

TECHNICAL-TRADE TRAINING SINCE 1905
Resident and Home-Study Schools
4000 South Figueroa St., Los Angeles, Calif. 90037

NATIONAL TECHNICAL SCHOOLS Dept. 205-099
4000 South Figueroa Street, Los Angeles, California 90037

Please send FREE Color Catalog and Sample Lesson.

- Color TV Servicing
- B & W TV and Radio Servicing
- FCC License Course
- Electronic Communications
- Electronics Technology
- Audio Electronics Servicing
- Digital Electronics
- MicroComputers/MicroProcessors

Name _____

Address _____

Apartment Number _____ Age _____

City _____

State _____ Zip _____

- Check if interested in G.I. Bill information.
- Check if interested ONLY in classroom training in Los Angeles.

MONOSTABLE CATALOG-1

Pulse Timing. A typical timing equation has the form $tw = kRC$ where tw is the pulse width in nanoseconds, k is a constant, R is the timing resistance in kilohms, and C is the timing capacitance in picofarads.

For example, the pulse width for the 74121 is given as $tw = .693RC$. Assume that R is 10,000 ohms, and C is 100 pF. Then the equation is $tw = .693(10)(100) = 693$ ns or $.693 \mu s$.

Retriggering. Some monos are retriggerable. That is, if a second trigger arrives while the output is still high from the first pulse, the output will respond to the latest trigger and remain high. The extension is for one complete cycle and a train of input triggers will result in a sustained output pulse that will have a very long duration.

Retriggering may be accomplished from either the A or B inputs, simply or intermixed. This makes for some intriguing timing possibilities.

However, there is a time restriction on retriggering some monos. As shown in the Catalog, the required delay is the number in parenthesis following "re-triggerable." Thus, the 74123 cannot be retriggered before 0.22 ns after the previous input.

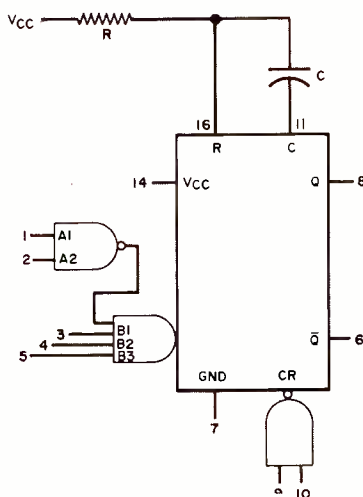
Retriggering is useful when you want it, but on the other hand, what do you do if you don't want it? Suppose, for example, you are using a 74123 dual mono because you need retrigger for one circuit, but you cannot live with it in the other. In this case, connect the B input to the not-Q output and trigger with the A input (or vice versa). When the mono triggers, B is pulled low thus inhibiting further triggering until the circuit times out. Be sure, however, that the A input(s) are in the inhibit mode at the time out, or you will have an oscillator instead of a mono.

Reset. Some monos, but not all, provide for reset. This is implemented by applying a reset pulse to the CR (clear) input. The leading edge of this pulse resets the outputs to the initial state, and another trigger is required to obtain an output.

If the CR input is held in the reset state, the mono is inhibited and will not respond to an input trigger. This feature adds flexibility to the controlling logic for the mono.

R and C Limits. All monos have upper and lower limits for the range of resistance (R), while some have limits on

9600 SINGLE TTL



INPUT TABLE

A ₁	A ₂	B ₁	B ₂	B ₃
↓	1	1	1	1
1	↓	1	1	1
0	X	↑	1	1
X	0	↑	1	1
0	X	↑	↑	1
X	0	1	↑	1
0	X	1	↑	↑
X	0	1	1	↑

FEATURES

RETRIGGERABLE (0.3Cns)
 RESET ON LOW TO
 EITHER "CR" INPUT
 $t_{min} = 74$ ns
 $t_{pd} = 29$ ns
 LIMIT ON R =
 $5k \leq R \leq 50k$
 $(0 \leq T^\circ C \leq 75)$
 LIMITS ON C:
 NONE

$t_w = 0.32RC (1 + 0.7/R)$

9601 SINGLE TTL

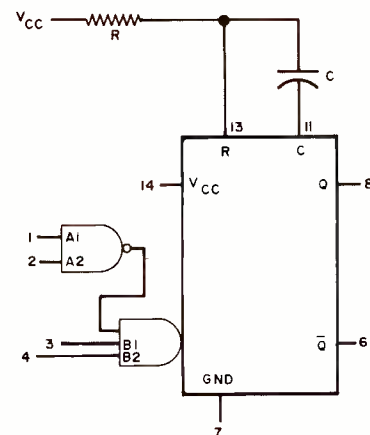
INPUT TABLE

A ₁	A ₂	B ₁	B ₂
↓	1	1	1
1	↓	1	1
0	X	↑	1
X	0	↑	1
0	X	↑	↑
X	0	1	↑

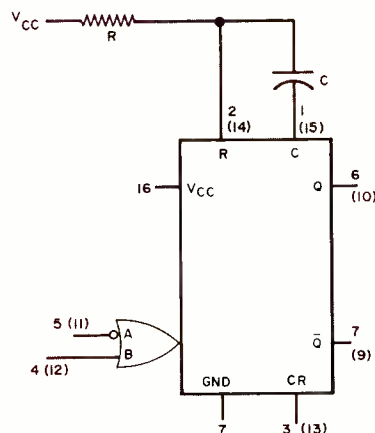
FEATURES

RETRIGGERABLE (0.3Cns)
 NOT RESETTABLE.
 $t_{min} = 45$ ns.
 $t_{ps} = 25$ ns.
 LIMITS ON R:
 $5k \leq R \leq 50k$
 $(0 \leq T^\circ C \leq 75)$
 LIMITS ON C:
 NONE

$t_w = 0.32RC (1 + 0.7/R)$



9602 DUAL TTL



INPUT TABLE

A	B
↓	0
1	1

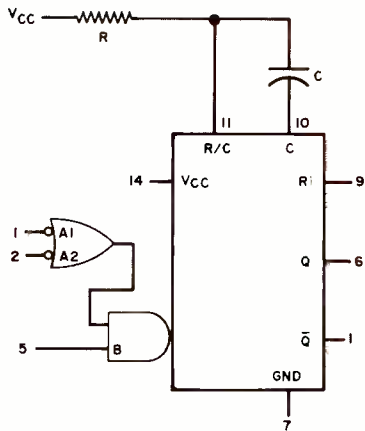
FEATURES

RETRIGGERABLE (0.3Cns)
 RESET ON LOW TO "CR"
 $t_{min} = 72$ ns
 $t_{pd} = 25$ ns
 LIMITS ON R:
 $5k \leq R \leq 50k$
 $(0 \leq T^\circ C \leq 75)$
 LIMITS ON C:
 NONE

$t_w = 0.31RC (1 + 1/R)$

MONOSTABLE CATALOG-2

74121 SINGLE TTL



A ₁	A ₂	B
0	X	↑
X	0	↑
↓	X	1
X	↓	1

$t_w = 0.693 RC$
TO USE THE INTERNAL
TIMING RESISTOR,
CONNECT PIN 9 TO V_{CC} .
FOR $C=0, t_w=30$ ns.

FEATURES
NOT RETRIGGERABLE
NOT RESETTABLE
"B" IS A SCHMITT INPUT
 $t_{min}=30$ ns
 $t_{pd}=45$ ns
 $R_{int}=12$ k Ω
LIMITS ON R:
 $1.4k \leq R \leq 40k$
($0 \leq T^\circ C \leq 70$)
LIMIT ON C:
 $0 \leq C \leq 1000$ μF

capacitance (C). Typical limits for industrial devices are shown in the Catalog.

In general, try to stay away from maximum values of R, especially when using electrolytic capacitors for C.

Conventional electrolytics and aluminum electrolytics can be a problem. Most high-quality tantalums perform well. Inserting a silicon diode between the R/C terminal and the RC junction as shown in Fig. 1, will eliminate any leakage problem that may occur with reverse voltage across the capacitor. However, if you use this diode, the value of R must be reduced to less than 60% of its maximum value. Some circuits do use tantalums without the diode, but with reduced values of R. If your circuit has to operate at elevated temperature, be cautious.

Avoiding Problems. The greatest single source of problems is false triggering, and the second is no triggering at all.

IC monostables are very fast, and according to "Murphy's Law" if the inputs can couple to form a "glitch" generator, they will. Therefore, input lines should be kept short and isolated from neighboring lines to avoid the unwanted stray coupling.

A 0.1- μF or larger capacitor should be connected between the VCC and ground right at the IC. The upper trace of Fig. 2 shows large "spikes" riding on the leading edge of each waveform. After installing the bypass capacitor, the signal cleared up as shown in the lower trace.

Using a scope whose ground lead is connected to the power supply ground, take a look at the signal ground line to make sure that it really is ground. It shouldn't be riding a half a volt or so above ground, or displaying a lush growth of grass (noise).

Always make the foil traces for VCC and ground heavier than pin interconnections. This keeps their resistance low and current pulses passing through them do not develop voltage drops that can appear as signals to other devices connected to the lines.

If possible, test your mono outside the circuit, using the timing values you require. Don't forget the minimum retriggering time.

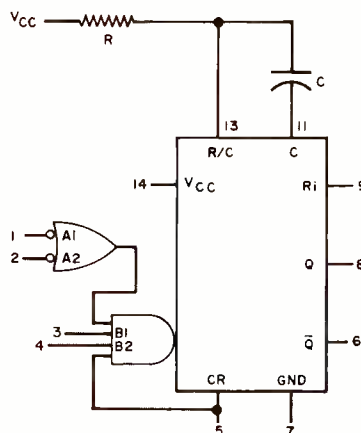
The 555. This timer IC, as well as the 558/559, do not conform to the standard monostable format and were not included in the Catalog. However, these timer ICs can be used as one-shots or as free-running or gated oscillators.

74122 SINGLE TTL

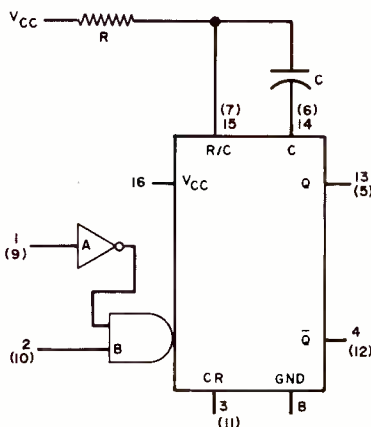
A ₁	A ₂	B ₁	B ₂
0	X	↑	1
0	X	1	↑
X	0	↑	1
X	0	1	↑
1	↓	1	1
↓	↓	1	1
↓	1	1	1

$t_w = 0.32 RC (1+0.7/R)$
TO USE THE INTERNAL
TIMING RESISTOR
CONNECT PIN 9 TO V_{CC} .

FEATURES
RETRIGGERABLE (0.22 ns)
RESET ON LOW TO "CR"
 $t_{min}=40$ ns
 $t_{pd}=21$ ns
LIMITS ON R:
 $5k \leq R \leq 50k$
($0 \leq T^\circ C \leq 70$)
LIMITS ON C:
NONE



74123 DUAL TTL



A	B
0	↑
↓	1

$t_w = 0.32 RC (1+0.7/R)$

FEATURES
RETRIGGERABLE (0.22 ns)
RESETS ON LOW TO "CR"
 $t_{min}=40$ ns
 $t_{pd}=21$ ns
LIMITS ON R:
 $5k \leq R \leq 50k$
($0 \leq T^\circ C \leq 70$)
LIMITS ON C:
NONE

MONOSTABLE CATALOG-3

They do have limitations, though: they are slow when compared to the other monos, and pulses narrower than 10 μ s are best obtained with a TTL device. Also, they're not retriggerable; and in the free-running mode, they have a duty-cycle limitation.

They do, however, have a single output, can operate with a wide range of supply voltages, and can sink or source 200 mA (which can save a driver transistor).

The use of a 555 as a one-shot or free-running oscillator is shown in Fig. 3. The capacitor connected to CV (pin 5) is essential to reduce noise.

In the mono mode, calculations are based on $t_w = 1.1RC$. For these timers, R is shown in ohms, C in farads and t is in seconds.

For any timing circuit, it is best to use a standard value of capacitance for C , then calculate the required resistance. It's always possible to combine different standard resistances in series, parallel or combinations, but it is difficult to locate an odd value of capacitance.

For the free-running mode, there are four defining equations:

$$D = Rb / (Ra + 2Rb) = t_2 / t_1 = \text{duty cycle}$$

$$t_1 = 0.693(Ra + Rb)C = \text{output high time}$$

$$t_2 = 0.693RbC = \text{output low time}$$

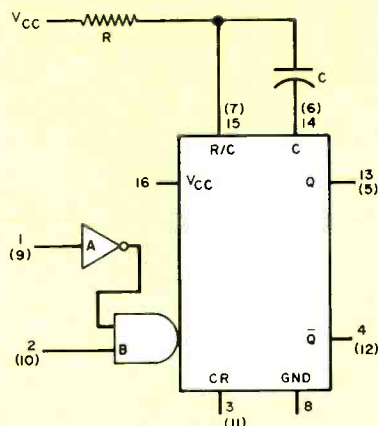
$$T = 0.693(Ra + 2Rb)C = t_1 + t_2$$

In the equation for D , note that if Ra is zero, then D becomes 0.5. This tells you not to try to get a square-wave output as you have to tie DS (pin 7) directly to V_{cc} . There is no internal current-limiting resistor within the chip, so do not try this. Select D as 0.25 or 0.3 for most cases.

It's usually best to start by selecting a value of C appropriate to the frequency and duty cycle. Rb is then computed using the equation for t_2 , and this is plugged into the D equation to solve for Ra . Then solve for T as a check on the values.

There are several ways to generate a square wave. The circuit shown in Fig. 3E allows a wide selection of both frequency and duty cycle from a single capacitor. This is illustrated by the composite scope traces shown in Fig. 4. In the circuit, $R1$ was 2200 ohms, $R2$ was a 10,000-ohm potentiometer and C was a 0.01- μ F capacitor. The three traces represent three settings of $R2$. Overall frequency range was from 5 to 80 kHz. If trimmer potentiometers were used for both $R1$ and $R2$, the frequency and duty cycle could be trimmed to the exact requirements.

74LS221 DUAL LSTTL



INPUT TABLE

A	B
0	↑
↓	↑

$$t_w = RC (3.03 RC)$$

FEATURES

- NOT RETRIGGERABLE
- RESETS ON LOW TO "CR"
- t_w RANGE=30 ns to 70 s
- t_{pd} =45 ns
- LIMITS ON R: $1.4k \leq R \leq 100k$ ($0 \leq T^\circ C \leq 70$)
- LIMITS ON C: $0 < C \leq 1000 \mu f$
- SCHMITT INPUT ON "B"

74C221 DUAL CMOS

INPUT TABLE

A	B
0	↑
↓	↑

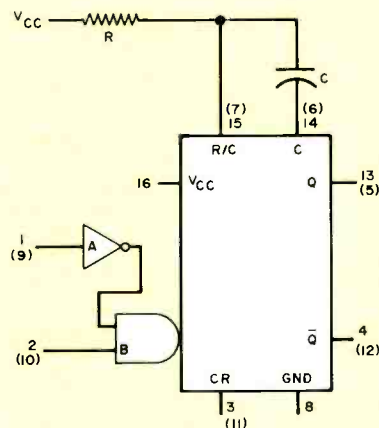
$$t_w = RC$$

REFERENCE:

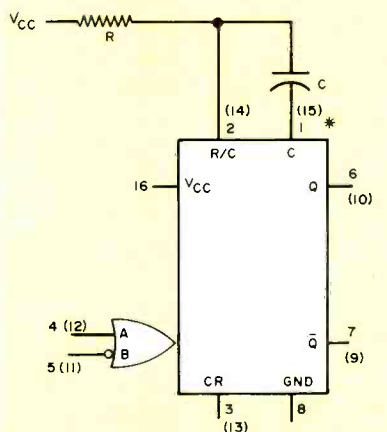
AN-138 "USING THE CMOS DUAL MONO. MULTIVIBRATOR" NATIONAL SEMICONDUCTOR

FEATURES

- NOT RETRIGGERABLE
- RESETS ON LOW TO "CR"
- $t_{w \text{ min}}$ =50 ns, V_{cc} =5V
- =30 ns, V_{cc} =10V
- t_{1d} =250 ns, V_{cc} =5V
- =120 ns, V_{cc} =10V
- LIMITS ON R: $10k \leq R \leq 350k$ (V_{cc} =5V) $5k \leq R \leq 350k$ (V_{cc} =10V)
- NO LIMITS ON C.



4098B/4528B/MC14528CP DUAL CMOS



INPUT TABLE

A	B
0	↑
↑	↑

$$t_w = 0.2 RC (\log_e V_{cc})$$

$$\text{Log}_e 5 = 1.61$$

$$10 = 2.30$$

$$15 = 2.71$$

FEATURES

- RETRIGGERABLE (0 ns)
- RESETS ON HIGH TO "CR"
- $t_{w \text{ min}}$ =75 ns (5V) } 4098B
- 25 ns (15V) }
- 240 ns (5V) } 4528, 14528
- 90 ns (15V) }
- t_{pd} =300 ns (5V)
- 125 ns (10V)
- 100 ns (15V)
- LIMIT ON R: $5k \leq R \leq 1000k$ ($-40 \leq T^\circ C \leq 85$)
- NO LIMIT ON C

* WITH 4528, MC14528CP CONNECT PINS 1 AND 15 TO PIN 8.

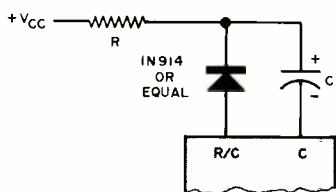


Fig. 1. Use of a diode prevents high inverse leakage currents through the timing capacitor.

The period is linear with respect to C . A substitution of a $0.1\text{-}\mu\text{F}$ capacitor reduced the frequency by a factor of 10 while preserving the duty cycle. This circuit allows for a low-cost pulse generator with lots of flexibility.

The 558/559 Timers. These are quad timers having a range of a few microseconds to a few hours. Each of the four monos are independent, but they share a common reset. They are edge-triggered, and several sections can be coupled in tandem to produce an output several hours long.

A function diagram and important features of these timers are shown in Fig. 5.

The 558 has an open collector output (Fig. 5D) while the 559 has a Darlington follower output (Fig. 5E). In all other respects, the two are identical.

The output pulse width is the RC product of the timing components. Two devices may be cross-coupled to operate in the free running mode as shown in Fig. 5C. The potentiometer connected to the CV line allows adjustment of the output pulse width and duty cycle. The CV voltage range is from 0.5 V to V_{CC} minus 1 volt.

Applications. A simple pulse can be

created by RC coupling between gates or flip-flops. Although this approach will work, it is marginal at best. For example, take a look at the circuit shown in Fig. 6A. Operation depends on the overshoot at the trailing edge. The system malfunctioned because the overshoot was marginal. Also, 750 ohms is too small a pull-down for TTL, and the circuit is susceptible to noise because there can be a volt or more of dc offset at the input.

If a 74123 dual mono had been used, as in the circuit shown in Fig. 6B, the time delay could have been achieved at

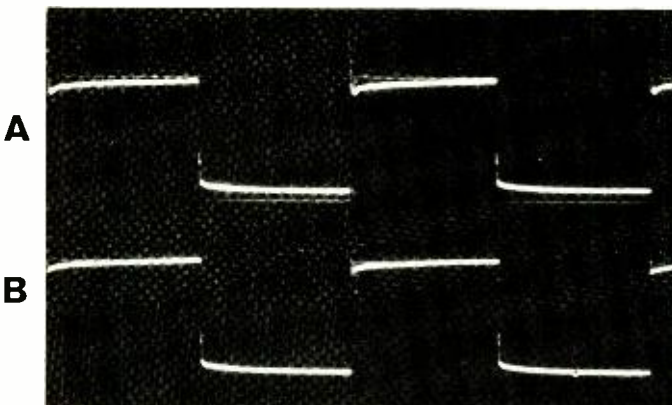
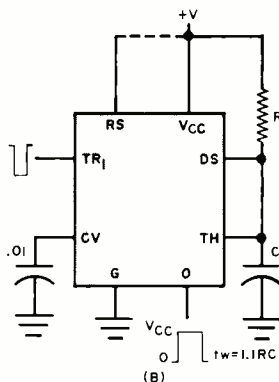
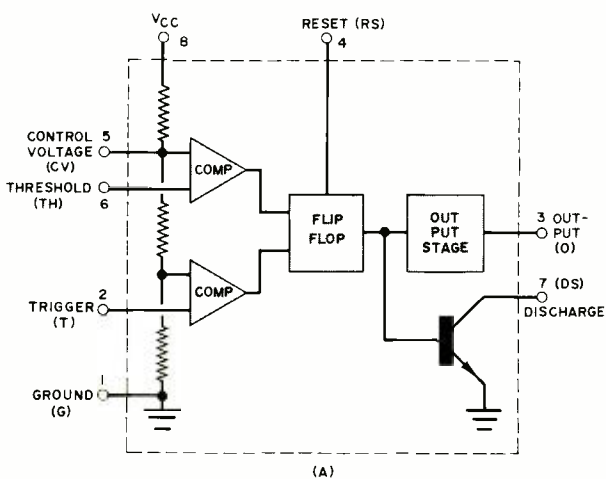


Fig. 2. A 2-volt spike on leading edge of waveform (A) is removed (B) by using a bypass capacitor from V_{CC} to ground.



555 TIMER

- FEATURES:**
 4.5-TO-16-VOLT SUPPLY RANGE.
 TIMING RANGE OF MICROSECONDS TO HOURS. ONE-SHOT AND ASTABLE OPERATION. ADJUSTABLE DUTY CYCLE. 200 mA SOURCE OR SINK. 0.005%/°C TEMP. COEFFICIENT.
APPLICATIONS:
 PRECISION TIMING
 PULSE GENERATION
 SEQUENTIAL TIMING
 TIME-DELAY GENERATION
 PULSE-WIDTH MODULATION
 PULSE-POSITION MODULATION
 MISSING-PULSE DETECTION

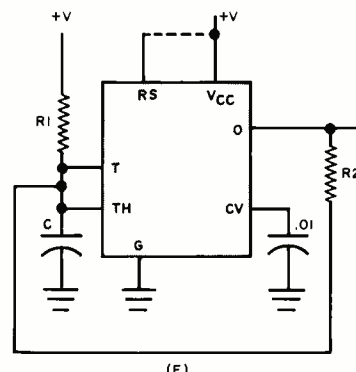
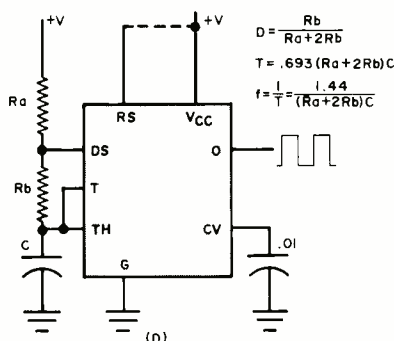
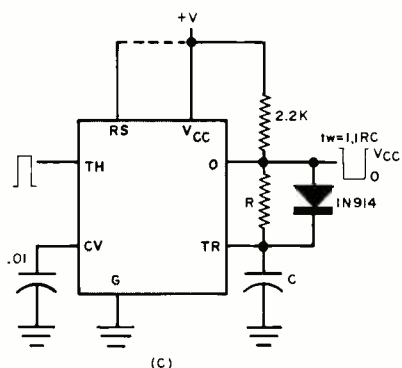


Fig. 3. The 555 timer function diagram (A), positive output with negative trigger (B), negative output for positive trigger (C), astable operation (D), and astable operation for a 50% duty cycle (E).

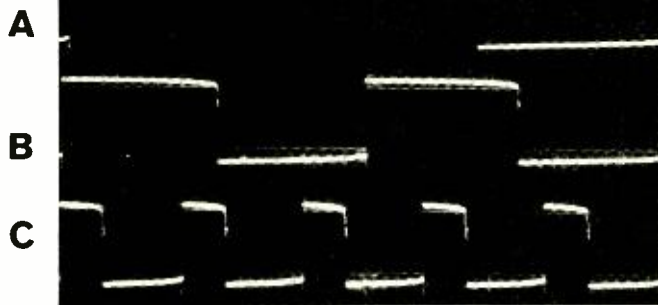
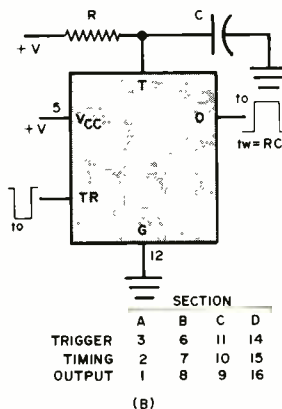
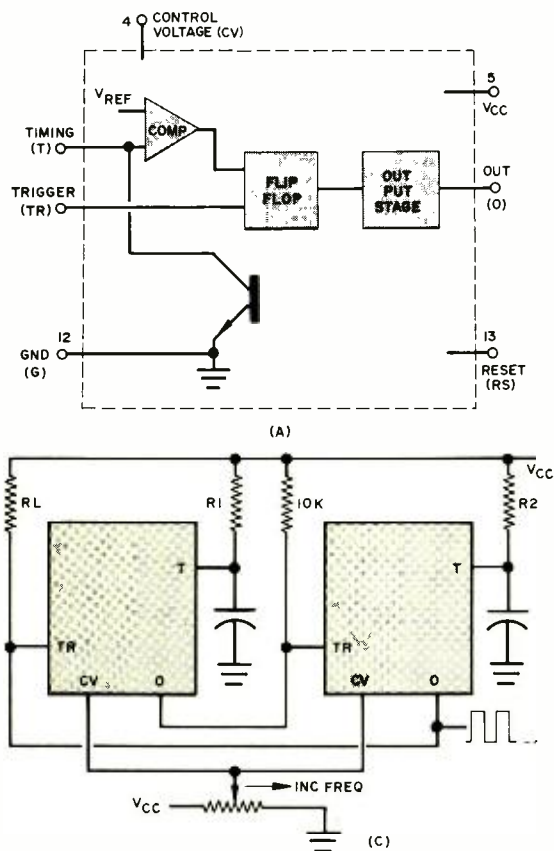


Fig. 4. Waveforms for various values of R_2 in Fig. 3E. (A) is 10 kHz; (B) is 20 kHz; and (C) is 50 kHz.

no real increase in cost, but with greatly improved reliability. The output pulse would have defined and controlled width.

Occasions may arise when you need an oscillator having independent control of frequency and duty cycle. The 74123 (TTL) or the 74C221 (CMOS) dual monos perform this task very well using the circuit shown in Fig. 7.

If you use potentiometers for R_1 and R_2 , you can construct a low-cost, wide-



	SECTION			
	A	B	C	D
TRIGGER	3	6	11	14
TIMING	2	7	10	15
OUTPUT	1	8	9	16

558/559 TIMER

- FEATURES:**
 4.5-TO-16-VOLT SUPPLY RANGE.
 TIMING RANGE OF MICROSECONDS TO HOURS. ONE-SHOT AND ASTABLE OPERATION. EDGE TRIGGERED.
- APPLICATIONS:**
 PRECISION TIMING
 SEQUENTIAL TIMING
 TIME-DELAY GENERATION
 QUAD ONE-SHOT

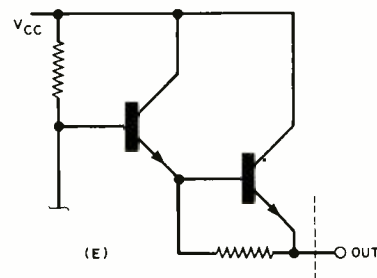
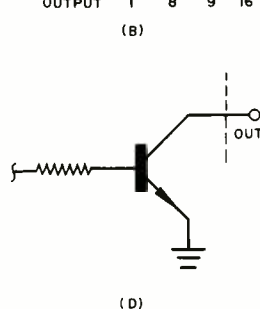


Fig. 5. Function diagram (A) of 558/559 timer; monostable connection (B); 558 as a variable-frequency oscillator with fixed duty cycle (C); 558 open-collector output structure (D) and 559 Darlington follower output structure (E).

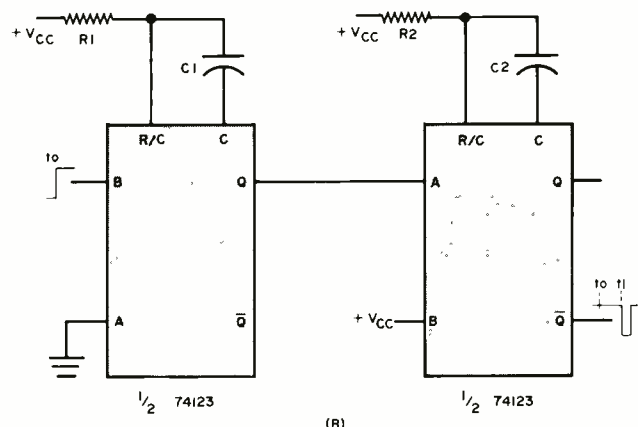
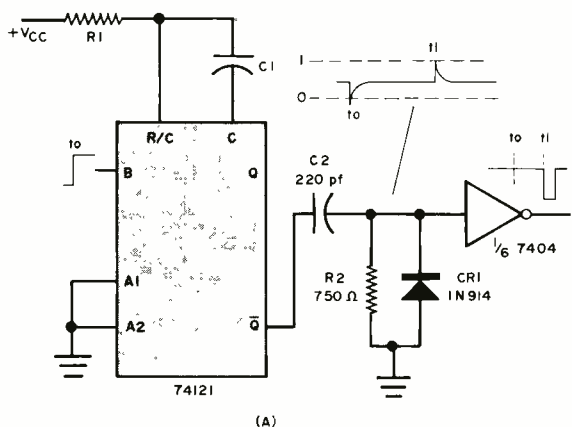


Fig. 6. RC coupling (A) used for leading edge delay for the 7404. Using a 74123 (B) provides precisely timed pulse with improved reliability.

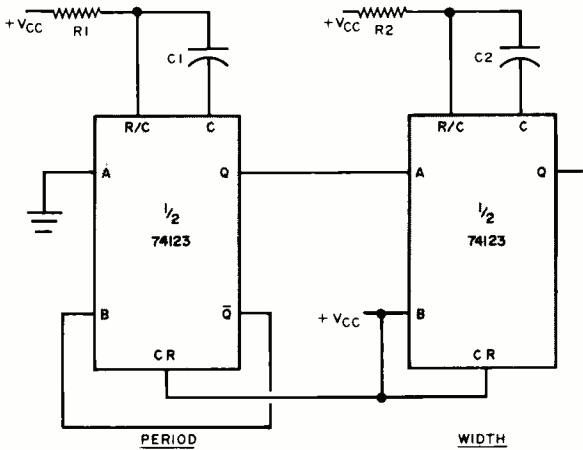


Fig. 7. A dual monostable can create an oscillator having independently adjustable period and pulse width.

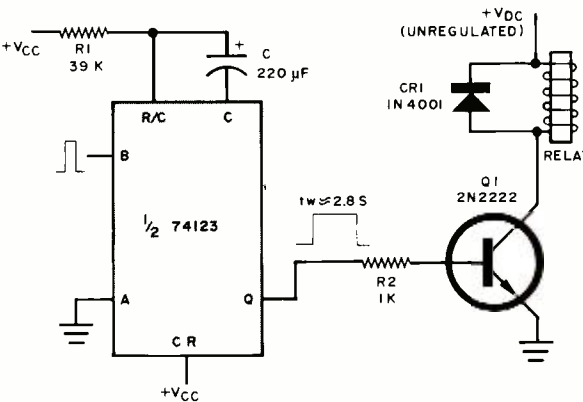


Fig. 8. A switching transistor provides relay driving power and isolates the mono from higher voltage required by the relay.

range pulse generator with lots of versatility. The capacitors may be switched to change the timing parameters.

Retriggering. This is a feature that should not be overlooked. A retriggerable mono will respond to inputs that arrive while the output is still high from the preceding trigger. It then becomes possible to have a train of inputs that will hold the output high until the train stops.

A telephone toll restrictor was created using this effect. The problem was that there was only one signal to tell the circuit that the phone was lifted off the cradle, that the dial was being used, that dialing was completed, and that the phone was replaced on the cradle. The retriggering capability of the 74123 enabled the digits counter for the pulses from the dialer; and when the train stopped, there was a short delay, then a reset of the counter for the next digit.

Multiple Inputs. Several monos, such as the 9600, 9602 and 74121 have multiple trigger inputs. These may be used as digital summing elements when you wish to form a single pulse train as a

summation of triggers from several sources. Be careful here because the logic can be tricky.

Pulse Stretching. A mono can be used to stretch a brief pulse so that it can be used to drive a relay, among other applications. The basic circuit is shown in Fig. 8. The 555, 558 and 559 are well suited to this use because of their drive capabilities.

An advantage of this circuit is that the load can be powered from a higher voltage than the logic. In Fig. 8, the relay is powered from the unregulated dc supply, saving the power supply regulator. Isolating resistor R2 is important to protect Q1. If heavy load current is required, the emitter of Q1 should be returned to the power supply ground.

Summary. Because of the edge triggering features of each of the devices discussed here, many mono's can be interconnected to create complex digital waveforms that can be duplicated only with expensive commercial generators. Also, edge triggering greatly reduces the need for logic gates. ◇

MAIL THIS COUPON AND WE'LL SEND YOU THE BEST SPEAKER CATALOG YOU EVER READ!

No kidding. Speakerlab's catalog took longer to write than some of our competitors have been in business. In fact, we created an industry by "building great kits so you can afford great speakers." Our catalog is an invaluable manual of speaker function and design. And, it will introduce you to the finest speaker kits made anywhere...with the strongest money-back guarantee. Find out for yourself...FREE, FREE, that is. Mail the coupon now.



Dept. 9-PE, 735 N. Northlake Way
Seattle, WA 98103

ADVANCING The State of the Art in automatic percussion units



the PROGRAMMABLE DRUM SET

features: Score Editing, Bridges, Intro's, External sync. to sequencers or foot controls, Memory save switch and much more!

Enter scores in seconds - No Programming Knowledge Required! High Fidelity describes the kit as "an easy project... fun to do and yields delightful results... an excellent educational tool and versatile aid to the musician who can't afford a live rhythm section." Programmable Drum Set Kit \$84.95 Programmable Drum Set Assembled \$149.95 (plus \$3 shipping)

EA ELECTRONICS 1020 W. WILSHIRE BLVD., OKLA CITY, OK 73116

() Programmable Drum Set Kit \$84.95
() Programmable Drum Set Assembled \$149.95 plus shipping enclosed.
() SEND FREE CATALOG

NAME _____
ADDRESS _____
CITY _____ STATE _____ ZIP _____

FREE SHIPPING WHEN ORDERED WITH THIS COUPON

EA ELECTRONICS, DEPT 9P, 1020 W. WILSHIRE OKLAHOMA CITY, OK 73116
CIRCLE NO. 49 ON FREE INFORMATION CARD

BY CASS R. LEWART

Make Your Computer Work As a Control Center

Simple circuits enable small-computer owners to perform a variety of external operations.

ONCE YOU tire of playing graphic games on your home computer, have solved all the mathematical problems you care to, and exhausted your list of favorite tunes, you may start thinking about new applications for that wonderful machine. Some of the more attractive uses for a home computer are in the controlling of appliances. In this article, we will present a few simple and proven inexpensive circuits that allow your computer to turn on the coffee pot in the morning, turn lights on and off while you are away to confuse a potential burglar, or control your slide projector and tape recorder in response to various cues.

The great advantage of using a computer to control appliances is its flexibility. No more relays driving relays, where the slightest change in the logic may require redesigning and rewiring your circuit from scratch. A simple change of a few instructions in your program can

now accomplish the same objectives relatively painlessly.

Computer Interface. The computer interacts with the outside world by means of I/O (input/output) ports. These ports consist of a connector where specific pins can assume either a high or a low logic status. In most cases, a high corresponds to approximately +5 volts, while a low corresponds essentially to 0 volt (ground). Specific instructions in your program (BASIC or machine language) are used to set voltages to the required values.

As a rule, computer ports can supply only a very small amount of current, usually on the order of 1 mA. Therefore, in order to control any device drawing appreciable power, it is necessary to have interface circuits that translate logic signals from computer ports into relay-contact operations, LED activation, or act appliance and motor movements.

Because program instructions to control I/O ports differ from one computer to the next, we will not go into details of port programming. Instead, we will assume you are familiar with the programming of your particular computer and know how to set logic signals at its ports low or high.

Some computers use separate ports for input and output, while others use the same ports for both, depending on program instructions. Consult the port operation section in the programming manual for your computer.

In general, when you interface the computer, the program will provide timing and logic for whatever you are doing. Input ports connect to sensors, such as door switches, thermostats, light sensors, etc, while output ports interface to relays, LEDs and solid-state switches. The interface circuits discussed and illustrated in this article deal with computer output ports only.

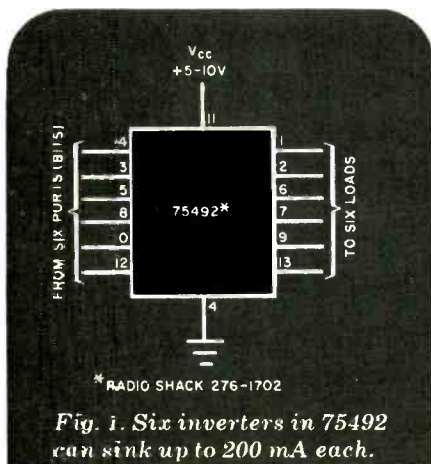


Fig. 1. Six inverters in 75492 can sink up to 200 mA each.

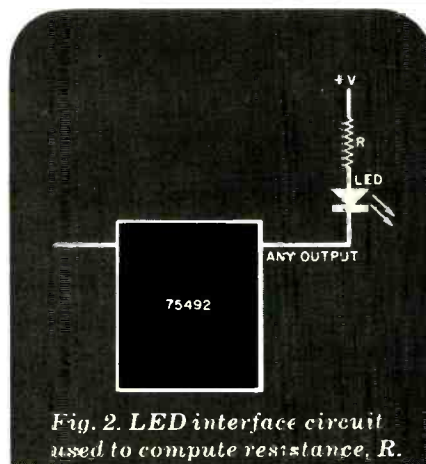


Fig. 2. LED interface circuit used to compute resistance, R.

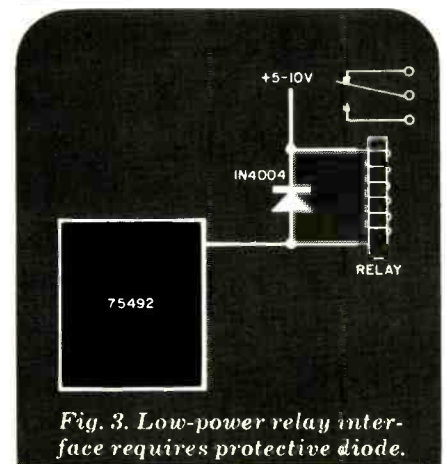


Fig. 3. Low-power relay interface requires protective diode.

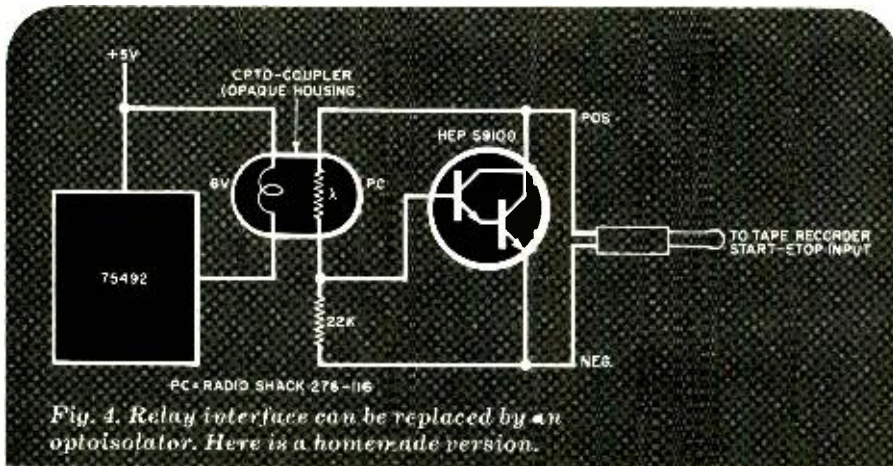


Fig. 4. Relay interface can be replaced by an optoisolator. Here is a homemade version.

Basic Interface. A basic output interface, an inexpensive SN75492 MOS LED-driver IC, is shown in Fig. 1. Six computer output-port pins connect directly to the inputs of the device which can sink up to 200 mA on each of its six outputs. This current is sufficient to directly drive a small relay, LED, or optoisolator. All of the interface circuits given in this article employ the SN75492 as the basic building block.

If more than six ports of a computer are being used for control, more than one SN75492 IC can be used. The same port can also drive more than one output (for example, an ac load and a LED to indicate an on condition).

LED Interface. Shown in Fig. 2 is a typical LED interface circuit. To compute the values of the dropping resistor in the external circuit, use Ohm's Law: $R = E/I$, where R is the dropping resistor's value, E is the supply voltage, and I is the current through the LED. Remember to take into account the one-diode voltage drop of the inverter in the IC and the drop across the LED.

As an example of calculating the resistor's value, assume $E = 10$ volts, $I = 20$ mA, the voltage dropped across the LED is the typical 1.5 volts, and 0.7 volt is dropped across the internal diode of the inverter. The value of the dropping resistor is $R = E/I = (10 - 1.5 - 0.7) / 0.02 = 390$ ohms. To determine the resistor's power rating, use the formula $P = I^2R$. Plugging in values, we obtain $P = (0.02)^2 \times 390 = 0.156$ watt, which means you can safely use a standard 1/4- or 1/2-watt resistor.

DC Relay Interface. A low-voltage relay whose coil draws less than 200 mA of current can be operated through the output of the IC, as shown in Fig. 3. Make sure that the current demand of the relay's coil does not exceed 200 mA, and install a diode as shown to protect the IC from back-emf spikes.

The relay's contacts can be used to turn on and off power for almost any electrical device whose demands are less than the volt-ampere (VA) or current (at the load's operating voltage) rating of the relay's contacts. For heavy

loads, the low-power relay can be used to control a power relay with heavy-duty contacts.

Tape-Recorder Interface. Turning on and off a tape recorder under computer control can be very useful for color-slide presentations. Other attractive applications include loading programs from a cassette deck into a computer and storing of programs on tape. The tape deck you wish to control must be equipped with a start/stop control system accessed by way of a jack—usually located near the microphone jack. To turn the tape deck on and off one can connect contacts of a relay (Fig. 3) to a plug inserted in the on/off jack on the tape recorder. If you wish to eliminate the relay, an alternate circuit shown in Fig. 4 uses a Darlington transistor and an optoisolator consisting of a cadmium-sulfide (Cds) photocell and a low-voltage lamp in a light-tight housing. Because this circuit is polarized, it may be necessary to reverse the leads to the tape deck's plug to make the circuit work.

The reason for using an optoisolator in this and the following circuit is to keep the computer and the circuit it controls electrically separate. This is to provide protection for the computer. High insulation resistance between the computer and the ac power line will safeguard low-voltage logic circuits and, not incidentally, the human operator.

Control of AC Appliances. An alternative to a relay or simple light coupler is shown in Fig. 5. The Motorola HEP P5002 is an optoisolator that houses an infrared diode and a small triac. The low power triac, in turn, controls a larger triac, such as the HEP R1723 that switches the ac power to the load. The rating of the larger triac determines the maximum wattage that can be controlled. For example, the HEP R1723 will work with appliances consuming up to 600 watts. Pulsing the appropriate port under program control will result in partial power being delivered to the appliances, allowing the computer to dim lights and run motors at variable speeds.

In Conclusion. The foregoing are just a few possible schemes for interfacing your computer with practical appliances. After you familiarize yourself with these circuits and their capabilities, other schemes may suggest themselves. You may even devise interfaces that you will wish to keep permanently connected. ◇

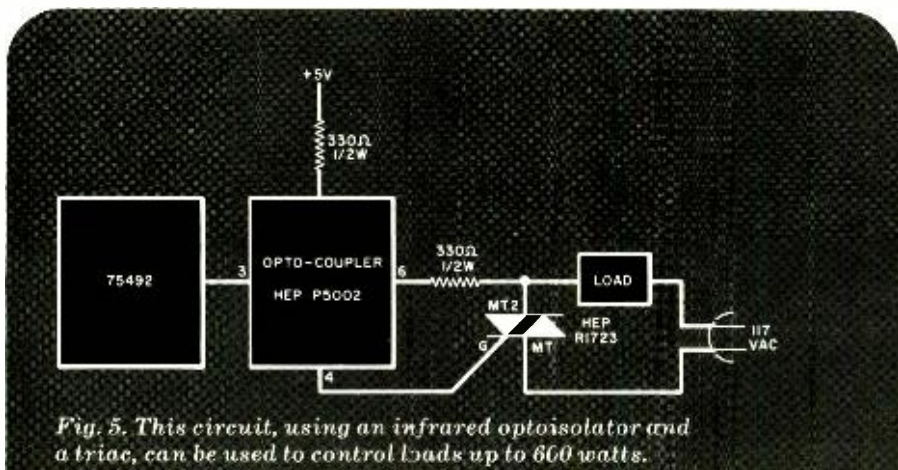


Fig. 5. This circuit, using an infrared optoisolator and a triac, can be used to control loads up to 600 watts.

Build a Smart Switch

by Richard Fermoyle

A solid-state wall switch that "remembers" to turn off the lights when you forget!

HAVE YOU ever gone into a darkened room "for just a minute," only to return an hour later and find the lights still burning? The "Smart Switch" presented here will correct this most common occurrence.

This useful project, which costs about \$17 to build, is a solid-state, 117-volt ac timer switch designed to replace a conventional wall switch. Using the components specified, the Smart Switch can control loads up to 250 watts.

When a pushbutton on the Smart Switch is depressed, power will be supplied to the load (lights) connected to it for approximately one minute. At the end of that interval, power will be automatically removed. An optional bypass switch is provided to override the timer circuit and to power the load continuous-

ly. With today's high cost of energy and the need to conserve, this device is a practical and economical addition to your home.

About the Circuit. The Smart Switch is shown schematically in Fig. 1. The heart of the circuit is *IC2*, a 555 timer operating as a monostable multivibrator. When pushbutton switch *S1* is depressed, power from the 117-volt ac line is applied to the timer circuit. Parallel resistors *R3* and *R4* drop approximately 95 volts of the line voltage, resulting in the application of approximately 22 volts ac to the input of modular bridge rectifier *RECT1*. The pulsating dc output generated by *RECT1* is converted into +5 volts regulated by filter capacitor *C7* and IC regulator *IC1*.

When power is initially applied to the timer circuit, pin 3 of *IC2* goes high and forward-biases the infrared-emitting diode within *IC3*, an optically isolated triac driver. This activates the bilateral switch within *IC3* which triggers triac *Q1* into conduction. When the triac turns on, 117 volts ac is applied to the load and to the center contact of switch *S2*. If this switch is placed in position "A", as shown in the schematic, the timer circuit continues to receive line power even though pushbutton switch *S1* is released.

The load and the timer circuit will be powered for a period of time determined by values of components *R6* and *C4*. For the component values shown, this interval is approximately one minute. Once *IC2* has timed out, pin 3 of *IC2* goes low and deactivates *IC3* and triac

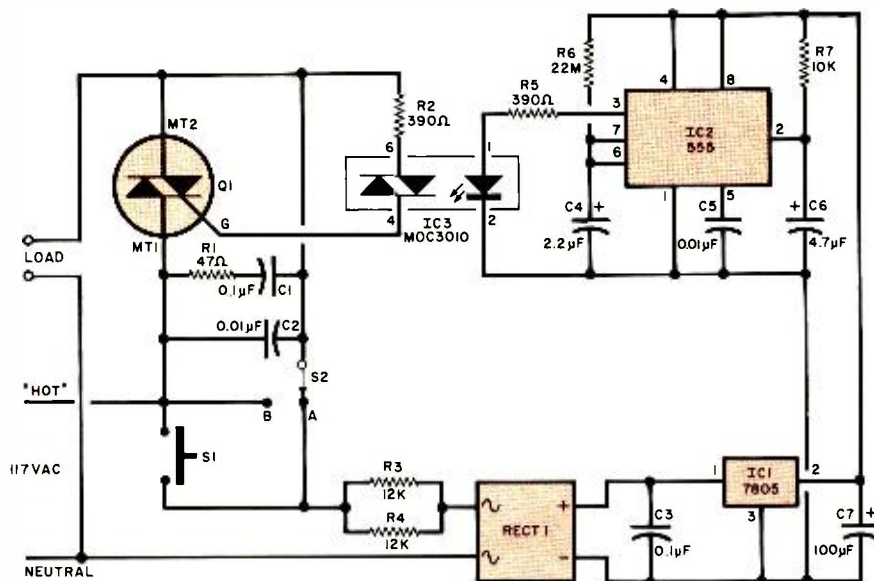


Fig. 1. When power is applied to the circuit by pressing *S1*, the output of *IC2*, through *IC3*, triggers *Q1*, which supplies power to the load (with *S2* on "A") for a time determined by *R6* and *C4*. With *S2* on "B", power is supplied directly to the load.

PARTS LIST

- C1—0.1- μ F, 200-VDC tubular (272-1053)*
 - C2—0.01- μ F, 200-VDC tubular (272-1051)*
 - C3—0.1- μ F disc ceramic (272-1069)*
 - C4—2.2- μ F tantalum (272-1407)*
 - C5—0.01- μ F disc ceramic (272-1065)*
 - C6—4.7- μ F tantalum (272-1409)*
 - C7—100- μ F, 10-volt electrolytic (272-1044)*
 - IC1—7805 voltage regulator (276-1770)*
 - IC2—555 timer (276-1723)*
 - IC3—MOC3010 triac driver ***
 - Q1—6-A, 200-V Triac (276-1001)*
 - R1—47-ohm, 4-watt resistor
 - R2—390-ohm, 1/4-watt resistor
 - R3, R4—12,000-ohm, 2-watt resistor
 - R5—390-ohm, 1/4-watt resistor
 - R6—22-megohm, 1/4-watt resistor*
 - RECT1—1-A, 50-PIV modular bridge rectifier (276-1161)*
 - S1—Single-pole, normally open pushbutton switch (34-02062V)**
 - S2—Spdt rocker switch (99-64248V)**
 - Misc.—Electrical box cover plate, printed circuit board, heat sink, silicone thermal compound, barrier strip (274-657)*, IC sockets (optional), hookup wire, spacers, mounting hardware, etc.
- * Radio Shack Part Number
 ** Lafayette Part Number
 *** Motorola Semiconductor component, available from Motorola Distributors

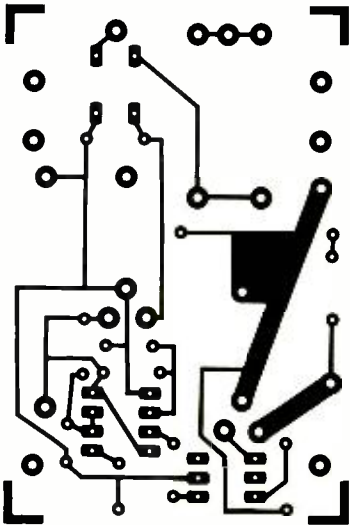


Fig. 2. Actual-size etching and drilling guide for pc board.

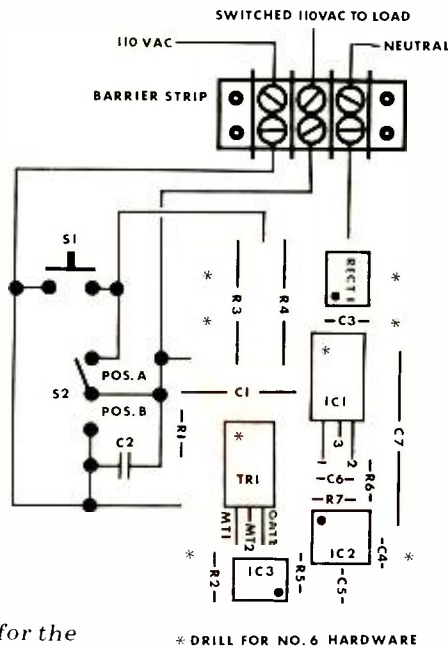


Fig. 3. Parts placement guide for the printed circuit board is shown at right.

Q1. Power is thus removed from the load and the timer circuit.

Placing switch S2 in position "B" bypasses the triac and applies 117 volts ac directly to the load. This feature has been incorporated into the Smart Switch so that the user can manually keep the load powered for an indefinite period of time. If the bypass feature is not desired, switch S2 and capacitor C2 can be eliminated. In that case, however, it will be necessary to connect the MT2 terminal of triac Q1 directly to the junction of S1, R3, and R4 to ensure proper operation of the timer circuit.

Construction. Most of the circuit can be mounted on a single printed circuit board. The etching and drilling and parts

placement guides are shown in Figs. 2 and 3; respectively. Triac Q1 must be mounted on a heat sink. Also, be sure to use silicone thermal compound to ensure a good heat transfer. A standard plastic electrical wall-box cover plate should be cut out and drilled to accommodate switches S1 and S2. Capacitor C2 is then mounted directly on the lugs of switch S2.

As shown in Figure 4, a three-terminal barrier strip is mounted on standoffs on the component side of the printed circuit board directly above R3, R4, C3 and RECT1. When soldering capacitor C3 to the pc board, leave the leads long enough so that the body of the capacitor can be bent back to lay flat on top of RECT1. Suitable lengths of hookup wire

should be used to interconnect the board and switches S1 and S2.

The completed pc board is then mounted using standoffs on the back side of the plastic cover plate. Be sure to use standoffs that are not too long, as the entire assembly must fit within a standard electrical wall box.

Installation. Before installing the Smart Switch, be sure to turn off the power at the fuse or circuit breaker box. Remove the existing wall switch and cover plate. Then, using the parts placement diagram shown in Figure 3 as a guide, connect the existing wall-switch wiring to the Smart Switch barrier strip. You might find that a neutral wire has not been brought into the wall-switch electrical box. If this is the case, wire the neutral terminal of the barrier strip directly to the metal wall box.

Carefully screw the assembled Smart Switch into place and you're ready to start using it. The finished product will look like the prototype shown in Fig. 5.

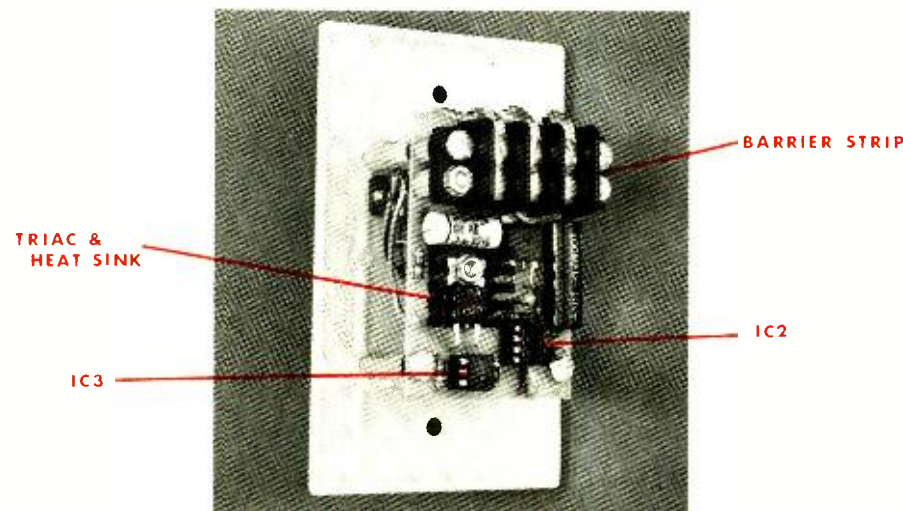


Fig. 4. Photo of the back of the Smart Switch shows how pc board is mounted on a standard plastic cover plate.

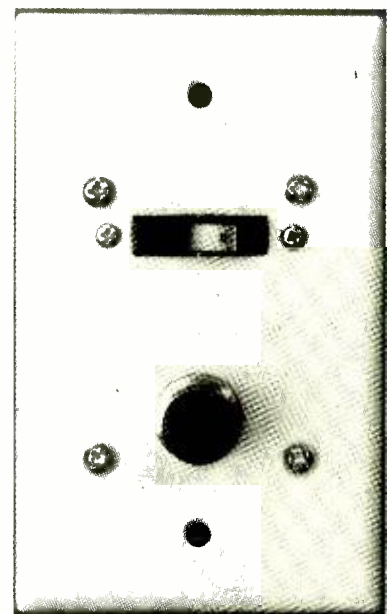


Fig. 5. Completed Smart Switch mounted and ready for use.

Use. If you are only going to remain in the room equipped with the Smart Switch for a short period of time, depress S1 as you enter. The lamp controlled by the project will remain on for the period determined by the values of the components in the timing circuit, resistor R6 and capacitor C4. If you intend to remain in the room for an extended period of time, place switch S2 in its "B" position. ◇

A breakdown of transmissions, by frequency, on various public service bands

WITH THE large number of scanning receivers now available on the market, most hobby listeners are well acquainted with the three most common "utility" radio bands: 30 to 50 MHz (low vhf band), 150 to 174 MHz (high vhf band), and 450 to 512 MHz (uhf band). There are, however, a number of other segments of the vhf and uhf radio spectrum that are frequently very active but unknown to all but a few listeners. Occasionally, tactical military-maneuver information can be heard, and repeaters that assist government communications links are encountered. Telemetry tone can also be heard carry-

ing digital data from a critical monitoring application to a vital receiver at some remote point.

Frequency lists published by the FCC do not always help in identifying these stations. If the frequency belongs to the federal government, it is regulated by the IRAC (Interdepartmental Radio Advisory Committee), and is subject to change without notice. Some frequency assignments are kept secret and/or are in ranges not receivable on most receivers. Occasionally, military or commercial surplus equipment can be found to monitor these obscure frequencies. However, it is better to use a vhf or uhf con-

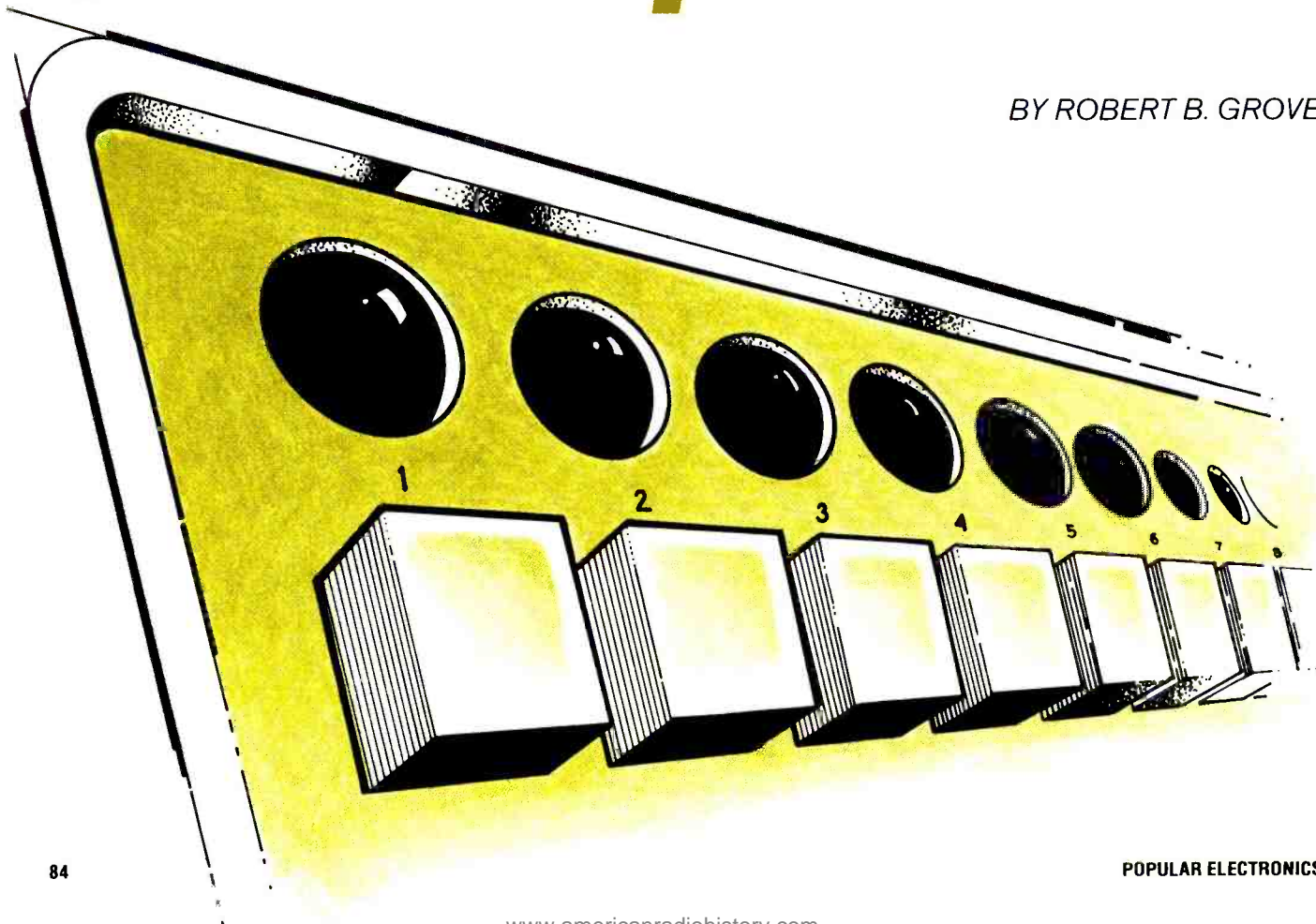
verter ahead of your existing scanner or monitor receiver. Several excellent vhf/uhf converters are offered by JANEL, Vanguard Labs, VHF Engineering, and Hamtronics. With the exception of the 225-to-400-MHz AM aeronautical band, all communication channels use narrow-band FM almost exclusively.

In the following paragraphs, we will examine what can be found on some of these lesser-used frequency bands.

50 to 54 MHz. This is primarily the 6-meter ham band. Channels between 50 and 54 MHz are shared with other services, including remote control of model

Who's on those other frequencies?

BY ROBERT B. GROVE



planes and boats on 53 to 53.5 MHz. Most hams operate on 50 to 51 MHz, and sometimes repeaters can be found between 52.5 and 54 MHz, with 52.525 MHz being the most popular repeater frequency.

72 to 76 MHz. At first glance, this frequency range appears to be within the band occupied by TV channels 2 through 6. In fact, this 4-MHz slot has a variety of users in the public safety and industrial group and is set apart from the TV channels. Although there is some voice communication here (such as army tactical communication), most of the uses are low-power tone signalling, such as in fire-alarm boxes and interstate highway motorist assistance boxes. Radio-controlled model planes and boats are often on 72 to 73 MHz. Listeners who live near airports are likely to hear the low-power, tone-modulated AM marker beacon on 75 MHz.

136 to 138 MHz. Just beyond the aircraft band, stations in the earth-satellite service use 136 to 138 MHz. Weather satellites such as the NOAA on 136.77, 137.14, 137.5, 136.62 MHz and Nimbus series on 136.5 MHz share this slot with communication satellites such as the Applied Technology Satellites (ATS) on 135.6, 137.35, and 137.5 MHz. Orbiting satellites share dozens of discrete frequencies in this band. Some satellites are geosynchronous (remain above a fixed spot on the earth), while others continually change position. The latter require tracking by antenna. Some data, available from NASA, enable listeners to keep up with the satellites. Most applications are for telemetry and data transmission, but some voice can be heard when satellites are used for long-distance relay, as in educational and scientific operations.

138 to 144 and 148 to 150.8 MHz. These ranges are used exclusively by military agencies for a variety of nontactical applications. Among the users of these channels are base operations and maintenance crews, security, rescue, and medical services; and VIP paging. Other channels are used for tone signalling. Some government navigational satellites can be heard at 150 MHz. The "hole" at 144 to 148 MHz between these two ranges is the popular 2-meter ham band.

216 to 220 MHz. Located just above TV channel 13, the 216-to-220-MHz



MORE.

This A P power breadboard includes a pulse detector, complete with memory.

Now that you're ready to build and test more sophisticated circuits, you've found the right breadboard.

Our Model 102 A P POWERACE, for instance, gives you a complete digital prototyping lab in one compact package.

It will detect positive or negative-going pulses as short as 10 nano-seconds—and keep them on-tap for you in its memory. This, combined with its 3 logic indicators, gives you a built-in logic probe.

Like our other power breadboards, the 102 has 16 distribution buses of 25 tie-points per bus to jumper in groups as needed and use for voltage and ground distribution, reset lines, clock lines, shift command, etc. And 1,680 tie-point terminals for plugging in circuit components and jumper wires.

With an A P POWERACE, you will prototype any type of electronic circuit faster and easier than you ever thought possible.

Your A P dealer has the details. Where? We'll tell you. Call (toll-free) 800-321-9668. And ask for the complete A P catalog, The Faster and Easier Book.



**A P PRODUCTS
INCORPORATED**

Box 110 A • 72 Corwin Drive
Painesville, Ohio 44077
Tel. 216/354-2101
TWX: 810-425-2250

Faster and Easier is what we're all about.



Write and run programs—the very first night—even if you've never used a computer before!

You're up and running with video graphics for just \$99.95 — then use low cost add-ons to create your own personal system that rivals home computers sold for 5-times ELF II's low price!

Featuring

RCA 1802 COSMAC CPU

Own a powerful home computer system, starting for just \$99.95—a price that gets you up and running the very first night...with your own TV for a video display, \$99.95 ELF II includes RCA 1802 8-bit microprocessor addressable to 64k bytes with DMA, interrupt, 16 registers, ALU, 256 byte RAM, full hex keyboard, two digit hex output display, stable crystal clock for timing purposes, RCA 1861 video IC to display your programs on any video monitor or TV screen and 5 slot plug-in expansion bus (less connectors) to expand ELF II into a giant!

ELF II Explodes Into A Giant!

Master ELF II's \$99.95 capabilities, then expand with GIANT BOARD, KLUGE BOARD, 4k RAM BOARDS, TINY BASIC, ASCII KEYBOARD, LIGHT PEN, ELF-BUG MONITOR, COLOR GRAPHICS & MUSIC SYSTEM, TEXT EDITOR, ASSEMBLER, DISASSEMBLER, VIDEO DISPLAY BOARD and—

More Breakthroughs Coming Soon!

Soon to be introduced: ELF II special application kits that give you the hardware and software you need to use ELF II for specialized purposes such as a telephone dialer, industrial controller, home photography security system, police alert, motor controller, station output monitor on a conveyor belt assembly line and some new, super-lanastic games!

Also coming soon: PROM Programmer, A/D, D/A Converter, Contoller Board and more! Unlike some heavily advertised hobby computers, ELF II doesn't limit you to pre-recorded programs. With ELF II you learn computing from the ground up...in machine language to assembly language to BASIC in quick, clear and easy steps. ELF II is a powerful computing tool, but one that you can master with the same ease you once mastered a slide rule or pocket calculator.

Master This Computer In A Flash!

Regardless of how minimal your computer background is now, you can learn to program an ELF II in almost no time at all. Our *Short Course On Microprocessor & Computer Programming*—written in non technical language—guides you through each of the RCA COSMAC 1802's capabilities, so you'll understand everything ELF II can do...and how to get ELF II to do it! Don't worry if you've been stumped by computer books before. The *Short Course* represents a major advance in literary clarity in the computer field. You don't have to be a computer engineer in order to understand it. Keyed to ELF II, it's loaded with "hands on" illustrations. When you're finished with the *Short Course*, neither ELF II nor the RCA 1802 will hold any mysteries for you.

In fact, not only will you now be able to use a personal computer creatively, you'll also be able to read magazines such as *BYTE*, *INTERFACE AGE*, *POPULAR ELECTRONICS* and *PERSONAL COMPUTING* and fully understand the articles. And, you'll understand how to expand ELF II to give you the exact capabilities you need!

If you work with large computers, ELF II and the *Short Course* will help you understand what they're doing.

Get Started For Just \$99.95, Complete!

\$99.95 ELF II includes all the hardware and software you need to start writing and running programs at home, displaying video graphics on your TV screen and designing circuits using a microprocessor—the very first night—even if you've never used a computer before.

ELF II connects directly to the video input of your TV set, without any additional hardware. Or, with an \$8.95 RF modulator (see coupon below), you can connect ELF II to your TV's antenna terminals instead.

ELF II has been designed to play all the video games you want, including a fascinating new target/missile gun game that was developed specifically for ELF II. But games are only the icing on the cake. The real value of ELF II is that it gives you a chance to write machine language programs—and machine language is the fundamental language of all computers. Of course, machine language is only a starting point. You can also program ELF II with assembly language and tiny BASIC. But ELF II's machine language capability gives you a chance to develop a working knowledge of computers that you can't get from running only

pre recorded tape cassettes.

ELF II Gives You The Power To Make Things Happen!

Expanded, ELF II can give you more power to make things happen in the real world than heavily advertised home computers that sell for a lot more money. Thanks to an ongoing commitment to develop the RCA 1802 for home computer use, the ELF II products—being introduced by Netronics—keep you right on the outer fringe of today's small computer technology. It's a perfect computer for engineering, business, industrial, scientific and personal applications.

Plug in the **GIANT BOARD** to record and play back programs, edit and debug programs, communicate with remote devices and make things happen in the outside world. Add **Kluge** (prototyping) Board and you can use ELF II to solve special problems such as operating a complex alarm system or controlling a printing press. Add **4k RAM Boards** to write longer programs, store more information and solve more sophisticated problems.

ELF II add-ons already include the ELF II Light Pen and the amazing ELF-BUG Monitor—two extremely recent breakthroughs that have not yet been duplicated by any other manufacturer.

The ELF-BUG Monitor lets you debug programs with lightning speed because the key to debugging is to know what's inside the registers of the microprocessor. And, with the ELF-BUG Monitor, instead of single stepping through your programs, you can now display the entire contents of the registers on your TV screen. You find out immediately what's going on and can make any necessary changes.

The incredible ELF II Light Pen lets you write or draw anything you want on a TV screen with just a wave of the "magic wand." Netronics has also introduced the ELF II Color Graphics & Music System—more breakthroughs that ELF II owners were the first to enjoy!

ELF II Tiny BASIC

Ultimately, ELF II understands only machine language—the fundamental coding required by all computers. But, to simplify your relationship with ELF II, we've introduced an ELF II Tiny BASIC that makes communicating with ELF II a breeze.

Now Available! Text Editor, Assembler, Disassembler And A New Video Display Board!

The Text Editor gives you word processing ability and the ability to edit programs or text while it is displayed on your video monitor. Lines and characters may be quickly inserted, deleted or changed. Add a printer and ELF II can type letters for you—error free—plus print names and addresses from your mailing list!

ELF II's Assembler translates assembly language programs into hexadecimal machine code for ELF II use. The Assembler features mnemonic abbreviations rather than numerics so that the instructions on your programs are easier to read—this is a big help in catching errors.

ELF II's Disassembler takes machine code programs and produces assembly language source listings. This helps you understand the programs you are working with...and improve them when required.

The new ELF II Video Display Board lets you generate a sharp, professional 32 or 64 character by 16 line upper and lower case display on your TV screen or video monitor—dramatically improving your unexpanded \$99.95 ELF II. When you get into longer programs, the Video Display Board is a real blessing!

Now Available!

- A-D/D-A Board Kit** includes 1 channel (expandable to 4) D-A, A-D converters, \$39.95 plus \$2 postage & handling...
- PILOT Language**—A new text-oriented language that allows you to write educational programs on ELF II with speed and ease! Write programs for games...unscrambling sentences...spelling drills... "fill in the missing word" tests, etc! PILOT is a must for any ELF II owner with children. *PILOT Language on cassette tape, only \$19.95 postpaid!*
- Game Package** on cassette tape (requires 4k RAM), \$9.95 plus \$2 postage & handling.

Clip Here and Attach to Your Order Below!

Netronics R&D Ltd., Dept PE-9
333 Litchfield Road, New Milford, CT 06756

Yes! I want my own computer! Please rush me—

RCA COSMAC ELF II kit at \$99.95 plus \$3 postage and requires 6.3 to 8 volt AC power

Power Supply required! \$4.95 postpaid

RCA 1802 User's Manual \$5 postpaid

Tom Pittman's *Short Course On Microprocessor & Computer Programming* teaches you just about everything there is to know about ELF II or any RCA 1802 computer. Written in non technical

ALSO AVAILABLE FOR ELF II

- GIANT BOARD™** kit with cassette I/O RS 232 C/RTY I/O 8 bit P/D decoders for 14 separate I/O instructions and a system monitor editor \$39.95 plus \$2 p&h
- Kluge** (Prototyping) Board accepts up to 46 IC's \$17.00 plus \$3 p&h
- 4k Static RAM** kit. Addressable to any 4k byte to 64k. \$89.95 plus \$3 p&h
- Gold plated 86-pin connectors (one required for each plug-in board) \$5.70 ea. postpaid
- Expansion Power Supply** required when adding 4k RAM. \$34.95 plus \$2 p&h
- Professional ASCII Keyboard** kit with 128 ASCII upper/lower case set, 96 printable characters, onboard regulator, parity logic selection and choice of 4 hand showing signals to work with almost any computer \$64.95 plus \$2 p&h
- Deluxe metal cabinet** for ASCII Keyboard. \$19.95 plus \$2 p&h
- Video Display Board** kit lets you generate a sharp professional 32 or 64 character by 16 line upper and lower case display on your TV screen or video monitor—dramatically improving your unexpanded \$99.95 ELF II. (Fits inside ASCII keyboard cabinet.) \$89.95 plus \$2 p&h
- ELF II Tiny BASIC** on cassette tape. Com

PHONE ORDERS ACCEPTED!
Call (203) 354-9375

language it is a learning breakthrough for engineers and laymen alike \$5 postpaid

Deluxe Metal Cabinet with plexiglas dust cover for ELF II \$29.95 plus \$2.50 p&h

I am also enclosing payment (including postage & handling) for the items checked below!

I want my ELF II wired and tested with power supply, RCA 1802 User's Manual and Short Course—all for just \$149.95 plus \$3 p&h.

Tom Pittman's *Short Course On Tiny BASIC* for ELF II \$5.95 postpaid

ELF-BUG™ Deluxe System Monitor on cassette tape. Allows displaying the contents of all registers on your TV at any point in your program. Also displays 24 bytes of memory with full addresses, blinking cursor and auto scrolling. A must for the serious programmer! \$14.95 postpaid

Text Editor on cassette tape gives you the ability to insert, delete or edit lines and words from your programs while they are displayed on your video monitor. (Add printer and you can use ELF II to type error free letters plus insert names and addresses from your mailing list.) \$19.95 postpaid

Assembler on cassette tape translates assembly language programs into hexadecimal machine code for ELF II use. Mnemonic abbreviations for instructions (rather than numerics) make programs easier to read and help prevent errors. \$19.95 postpaid

Disassembler on cassette tape takes machine code

programs and produces assembly language source listings to help you understand and improve your programs. \$19.95 on cassette tape

SAVE \$9.90—Text Editor, Assembler & Disassembler purchased together only \$49.95! (Require Video Display Board plus 4k memory.)

ELF II Light Pen, assembler & tested \$7.95 plus \$1 p&h

ELF II Color Graphics & Music System Board kit \$49.95 plus \$2 p&h

ELF II connects directly to the video input of your TV set without additional hardware. To connect ELF II to your antenna terminals instead, order **RF Modulator**, \$8.95 postpaid

Coming Soon: A-D/D-A Converter, Contoller Board and more!

Print Name _____
Address _____
City _____
State _____ Zip _____

Account # _____

DEALER INQUIRIES INVITED

CIRCLE NO. 44 ON FREE INFORMATION CARD

Other Frequencies...

continued

band is used primarily for telemetry (data) systems and tone signalling by both government and nongovernment services. Don't expect to hear two-way voice systems unless they are on an unusual authorization.

220 to 225 MHz. This little-used portion of the spectrum was the cause of some bitter feelings a few years ago. Although it was assigned to the Amateur Radio Service, it was rarely used. As a result, an effort was made to reassign at least a portion of the band to a new Citizens radio service. The movement has been stalled temporarily and probably permanently.

Although military radiolocation is listed as a primary user of this slot, in actual practice the Amateur Radio Service is more likely to be encountered, especially in metropolitan areas.

225 to 400 MHz. One of the largest chunks of dedicated vhf/uhf spectrum space, this 175-MHz band is used almost exclusively by military aircraft for AM voice communications. Even the Space Shuttle will have two backup voice channels in this band, on 296.8 and 259.7 MHz, as had all the Apollo flights. Every military aircraft aloft uses this band to communicate with other aircraft in flight and with control towers. Because of the altitudes from which they transmit, aircraft can often be monitored for hundreds of miles.

400 to 406 MHz. Space telecommand (satellite control signals) and meteorological telemetry (digital weather data) signals populate this portion of the uhf spectrum. Wildlife tracking signals are also found here, such as polar bear tracking by Nimbus 6 on 401.2 MHz.

406 to 420 MHz. This band is exclusively occupied by the federal government; many agencies use it for control links to interconnect repeater sites. An example is the Department of Agriculture's Forestry nets that populate the 411- and 415-MHz regions of this range. The Department of the Interior connects its repeaters with signals in the 411-, 412-, and 417-MHz portions of the band. In addition, some tone signalling and data transmission can be heard. Although it is in common use near large

metropolitan areas, remote regions are unlikely to hear much activity in this frequency range.

420 to 450 MHz. This 30-MHz portion of the spectrum is shared by the amateur radio service and military radar. A few ham repeaters, active in larger cities, operate on 420 to 450 MHz. Hams experimenting with television transmissions can be heard on 439.25 MHz; and the Amateur Radio OSCAR satellites transmit on frequencies in the 432- and 435-MHz ranges.

806 to 960 MHz. Many visionaries consider this newly opened segment of the radio spectrum as a vast, unspoiled territory. With the exception of a small government radiolocation service from 902 to 928 MHz, the entire 154-MHz band is allocated to nongovernment land mobile services, with 947 to 960 MHz usable for fixed point-to-point communication.

A band plan of allocatable frequencies and services has been prepared by the FCC, and is being opened gradually for use. A number of frequency blocks are still held in reserve, pending further studies.

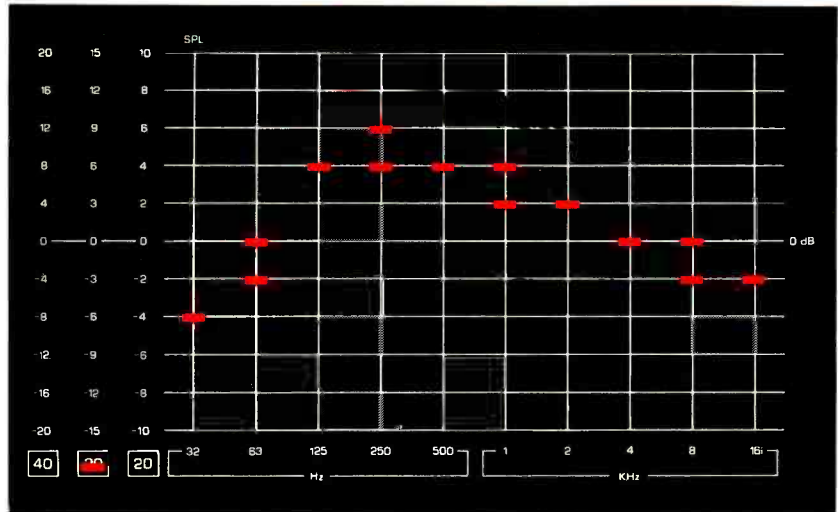
Services using this portion of the spectrum run the gamut and include police, business, and broadcast relays. Many use these interference-free frequencies for control links to high-powered transmitter sites.

Summing Up. Although this article may help you to identify primary uses for the frequency bands listed, the FCC and IRAC reserve the right to license station operation on virtually any frequency in the spectrum even outside of normal allocations. For this reason, it is possible in some locations to hear Bell Telephone mobile service on 406 to 407 MHz, which is normally federal-government assigned; industrial FM signals in the 351-MHz range, which is for military aeronautical AM; or the U. S. Army on 75 MHz, usually assigned to airport marker beacons.

Users of these communication frequencies often resent the intrusion of uninvited listeners, but voice security systems are available to protect sensitive transmissions. The vast majority of listeners are law-abiding citizens who are interested in what is happening around them. Scanner monitoring can improve public understanding and awareness of local, state, and federal government responsibilities. ◇

SEPTEMBER 1979

Now hear this.

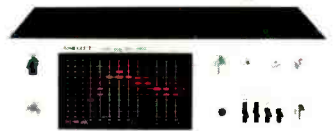


The extraordinary Scott Audio Analyzer.

Now, you can see exactly what you hear.

With Scott's new 830Z Audio Analyzer, you can evaluate and then maximize the performance of your receiver, preamp, amplifier, cassette deck, cartridge and speakers. You can even evaluate speaker placement and tape compatibility.

Get the best out of your sound system. See your nearest Scott dealer or write H.H. Scott, Inc., 20 Commerce Way, Woburn, MA 01801.



SCOTT
Makers of high quality high fidelity equipment since 1947.

CIRCLE NO. 55 ON FREE INFORMATION CARD

A scanning monitor receiver without a monitor antenna is like a kite without a tail:

way down!

Mobile or base

Want the high performance you paid for? Choose a professional A/S monitor antenna. 12 models, one for your exact need. Let us send our catalog.



the antenna specialists co.



Stripes of Quality
a member of The Allen Group Inc.
12435 Euclid Ave Cleveland, Ohio 44106
CIRCLE NO. 7 ON FREE INFORMATION CARD

TAPE DISCOUNTS

Minimum order 10 tapes

CASSETTES

SAC-80	2.22	ADC-120	3.79
SAC-90	3.04	DC-45	1.10
ADC-45	1.82	DC-80	1.35
ADC-80	1.79	DC-90	1.75
ADC-90	2.89	DC-120	2.40
		DC-180	3.00

8 TRACK

D-45	1.80	AD-45	2.20
D-90	2.22	AD-90	2.80

VIDEO CASSETTES

VT-120, 4 hr.	19.25	VT-90, 2 hr.	14.50
---------------	-------	--------------	-------

MASTER I

C-60	2.59	C-90	2.99
------	------	------	------

MASTER II/III

C-60	2.99	C-90	3.39
------	------	------	------

HIGHLANDER

C-45	.97	C-90	1.69
C-80	1.10	C-120	2.79

DYNARANGE

SC-45	1.89	SC-80	1.89
		SC-90	2.59

VIDEO CASSETTES

BETA L-500 VHS	13.25	L-250	9.95
VK-120, 4 hr.	18.80	VK-80, 2 hr.	14.25

Lifetime Product Guarantee FREE CATALOG
Order shipped 1-3 days. Add \$2.50 shipg. & hdg. per 10 tapes. N.Y.S. Res. add sales tax. No C.O.D.S.

CONSUMERS CO
P.O. Box 550 Dept. PG9
Mt Vernon, N.Y. 10551 Phone: (914) 684-2909

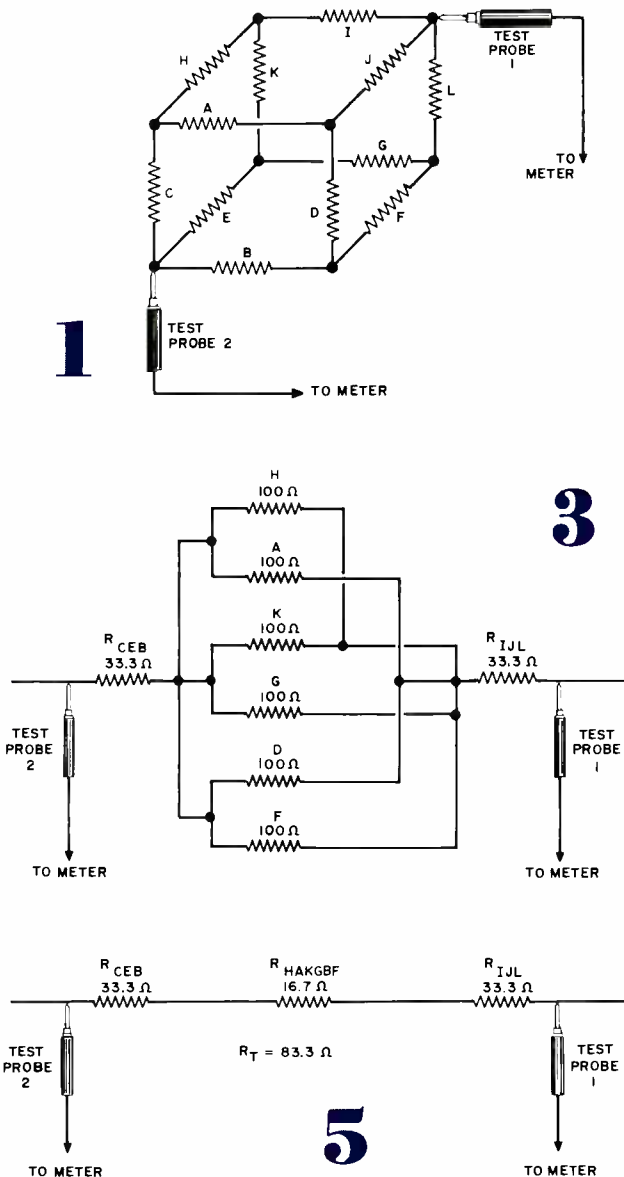
CIRCLE NO. 14 ON FREE INFORMATION CARD

THREE-DIMENSIONAL RESISTOR QUIZ

BY GARY W. SEAVER

A three-dimensional resistor array such as that shown in Fig. 1 is not likely to occur often in real life—especially made up of 12 equal 100-ohm resistors as it is here. However, complicated circuits do occur and it is handy to know how you can solve for their effective resistance by reducing them

through a succession of pi and T transformations, rearrangement of components, etc. (Or, of course, the circuit can always be built up on a breadboard and checked with an ohmmeter.) For the purposes of the quiz, however, determine the resistance analytically. The answer is printed below upside-down.

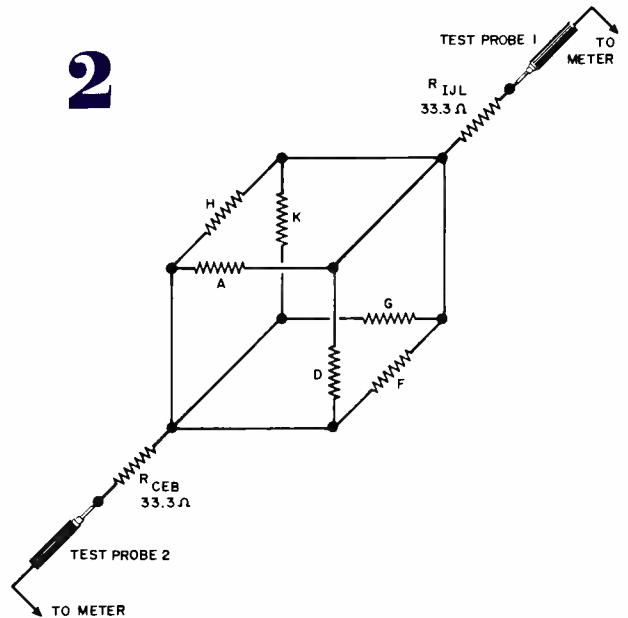


ANSWER

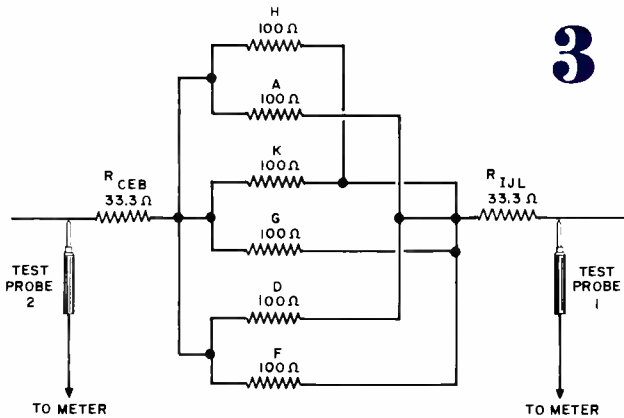
The same share a common node with effective resistance R_{IJL} . The resistors share a common node with R_{BCE} . If we reduce and redraw the circuit, we get that shown in Fig. 3. Further simplified, it becomes Fig. 4. Obviously, resistors H, A, K, G, E, and F are in parallel, with an effective resistance of 16.7 ohms. The final simplified version of the circuit is shown in Fig. 5. With three effective resistance in series, they can be summed to obtain a total of 83.3 ohms.

Here's one possible solution to the Three-Dimensional Resistor Quiz. Because resistors I, J, and L share a common node at test probe 1, let's assume they are in parallel. Employing the formula for resistors in parallel, we obtain an equivalent resistance of 33.3 ohms. Similarly, we assume that resistors B, C, and E are in parallel with an effective resistance of 33.3 ohms. The resulting circuit is shown in Fig. 2. It can now be seen that resistors H, A, K, G, D, and F all

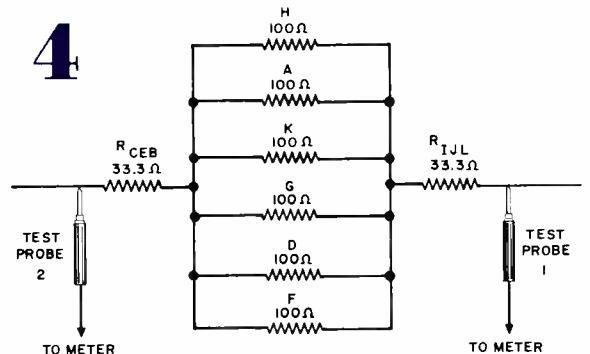
2



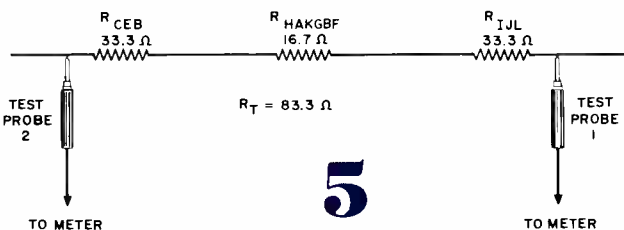
3

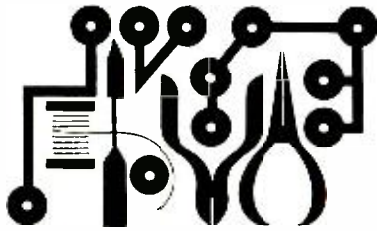


4



5





Experimenter's Corner

By Forrest M. Mims

MISSING-PULSE DETECTORS

Missing-pulse detectors can be found in applications ranging from moderately sophisticated, break-beam intrusion detectors to adjustable-duration event timers. Figure 1 is the circuit for a simple but reliable missing-pulse detector made from a 555 timer.

The circuit, which was adapted from one given in the Signetics 555 applications note, is a modified monostable multivibrator. In operation, an input pulse applied to pin 2 triggers the one-shot. The output then goes high for a period determined by the values of timing components $R1$ and $C1$.

A 555 monostable ordinarily ignores trigger pulses that arrive *during* the timing period. In this circuit, however, $Q1$ fools the one-shot into accepting a trigger pulse during the timing cycle. Refer to the schematic and you'll see why. Normally, $Q1$ is off, but a trigger pulse biases it into conduction. This dis-

spond to missing pulses by switching low until a new pulse arrives. The circuit can also be adjusted to respond to a *decrease* in the frequency of incoming pulses.

If this explanation of how a missing pulse detector works seems complicated, the timing diagram in Figure 2 will help you understand what happens. Although the diagram illustrates a single missing pulse, a series of two or more missing pulses might also occur. Should this happen, the output will remain low until the pulse train is again received.

Simplified Missing-Pulse Detector. The circuit shown in Fig. 1 is commonly used in missing-pulse applications, but that shown in Fig. 3 is simpler. In this circuit, the reset pin is connected to the trigger input. A pull-up resistor connected to $+V_{cc}$ must be added, but the transistor across $C1$ ($Q1$ in Fig. 1) is no longer needed.

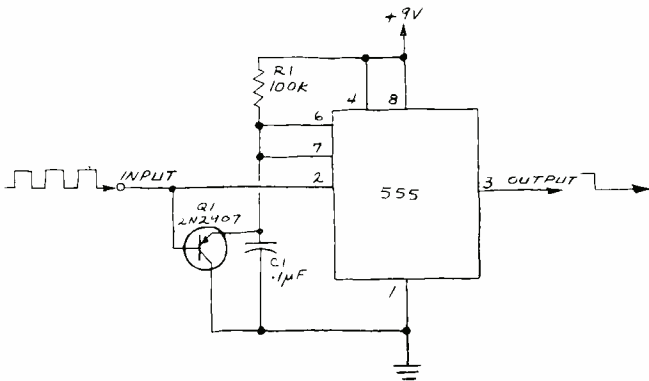


Fig. 1. Basic missing-pulse detector circuit.

charges $C1$. Simultaneously, the trigger pulse initiates a new timing cycle.

If the interval between incoming pulses is *less* than the timing period, the output of the 555 will remain high. Should an

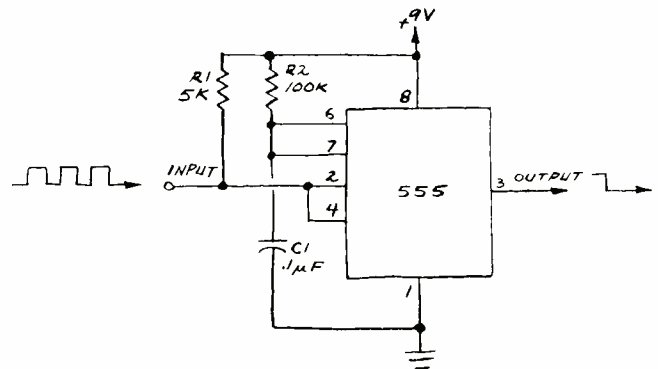


Fig. 3. Simplified circuit for a missing-pulse detector.

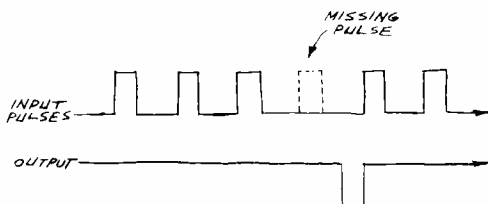


Fig. 2. Missing-pulse detector timing diagram.

incoming pulse not arrive until *after* the previous timing cycle has ended, the output will go low until the pulse arrives. By adjusting the time constant so the timing cycle is slightly longer than the interval between incoming pulses, the circuit will re-

Break-Beam Object Detector. Figure 4 shows a simple but effective infrared, break-beam object-detection system comprising a pulsed LED transmitter optically coupled to a missing pulse detector. In operation, pulses from the transmitter are detected by phototransistor $Q3$, which is used to reset and trigger the one-shot before the timing cycle can be completed. Blocking the path between the transmitter LED ($LED1$) and $Q3$ will cause the receiver LED ($LED2$) to glow. The receiver LED will go off when the optical channel is reopened.

The sensitivity of the circuit is determined by $R2$ and the phototransistor. The resistance of $R2$ can be less than 33,000 ohms, but the receiver's sensitivity will be reduced. Sensor $Q3$ can be a standard silicon phototransistor, but a Darlington phototransistor will provide higher sensitivity.

Timing components $R3$ and $C2$ determine the time constant of the one-shot. A fixed resistor can be used for $R3$ if its value is such that the timing cycle is longer than the period between transmitter pulses. The time required for the circuit to respond

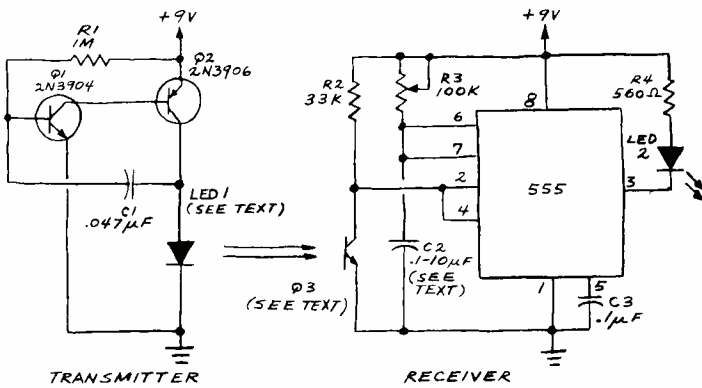


Fig. 4. Schematic for a break-beam object detector.

to a missing pulse is the difference between the transmitter-pulse interval and the receiver's time constant. Therefore, the circuit will appear to respond almost immediately to an obstruction placed in the optical path when the time constant is slightly longer than the pulse interval. On the other hand, the circuit will require as much as a few seconds to respond if the time constant is much longer than the pulse interval. Increasing $R3$, $C2$ or both will increase the time constant.

Long time constants make possible such specialized applications as detecting slow-moving objects or long objects moving through the optical channel at the same velocity as short objects. A long time constant also provides a degree of false-alarm immunity when the system is used as an intrusion alarm because the detector can thus be adjusted to ignore falling leaves and other transient interruptions.

The range of the system is determined by the sensitivity of the receiver and the optical power radiated by the transmitter LED. For best results, use a photodarlington for $Q3$ and stick to the relatively powerful transmitter circuit shown in Fig. 4. Be sure to use a GaAs:Si device for $LED1$. Suitable types include the Optron OP-190 or OP-195 and the G.E. 1N6264. Also, don't allow too much ambient light to strike $Q3$ (although some dc illumination will provide base bias and increase $Q3$'s sensitivity).

With these components, the maximum detection range will be a few handbreadths. Adding lenses to both the transmitter and receiver will increase the operating range. Best results will be obtained with lenses having a focal length approximately equal to the diameter of the lens (which corresponds to an f number of 1). With 5-cm diameter, $f1$ lenses, a range of a few meters or more can be achieved.

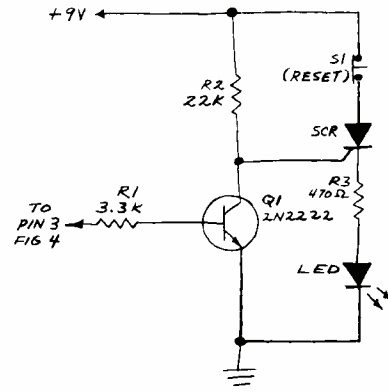


Fig. 5. SCR output circuit.

Adding an Output Latch. The output pin of the receiver (pin 3 of the 555) switches from a low to a high state when a missing pulse occurs and, after a timing interval, returns to its low state. In some applications, such as intrusion alarm systems, it's necessary to latch the output to a high state once a single missing pulse has been detected. Figure 5 shows one way the latching function can be achieved with the help of an SCR. This simple circuit is designed to be connected directly to pin 3 of the 555 in Figure 4.

An SCR is triggered by a positive gate voltage. Because the 555 output is normally high, $Q1$ is required to invert the output. Resistor $R3$ limits current flowing through the indicator LED. If the resistance of $R3$ is too low, excessive current will flow through the LED and SCR. On the other hand, if the value of $R3$ is too high, the current through the SCR will be less than its minimum *holding current*. This means the SCR will turn off and on, rather than latching on, when the 555 output changes states.

Reset switch $S1$ is a normally closed pushbutton. If the 555 output is high (for example, when the transmitted signal is being received) and the SCR has been gated on by a previous missing pulse, pressing $S1$ will turn off the SCR and prepare it to latch onto the next missing pulse.

Optically-Coupled Slot Switches. Slot switches are made by mounting a LED and phototransistor so they face one another across a narrow space in a plastic fixture. Applying a forward current to the LED switches the phototransistor. An opaque object (magnetic tape, paper card, etc.) inserted in the slot blocks the beam from the LED and turns the phototransistor off.

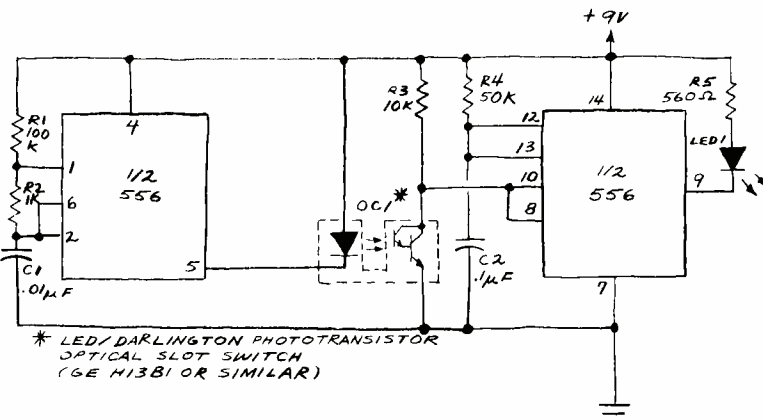
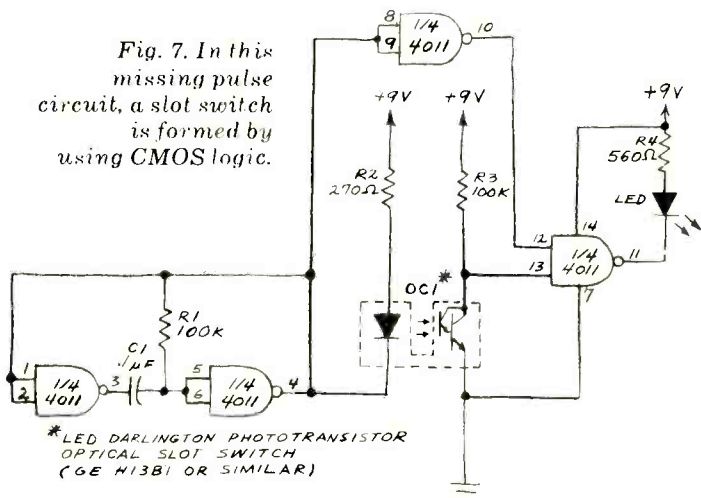


Fig. 6. In slot switch circuit, one half of 556 is a pulse generator and the other a missing-pulse detector. Blocking the slot between the LED and the photo transistor causes the detector to change states and energizes the light emitting diode.

Fig. 7. In this missing pulse circuit, a slot switch is formed by using CMOS logic.



Many optoelectronics companies make various types of optical slot switches. If you can't find one, or if you don't like the prices of those you find, it's easy to improvise by mounting an infrared LED and photodarlington on a suitable jig. The gap between the two components should be a few millimeters.

Usually, a dc bias is applied to the LED in a slot switch. It's possible to achieve the same results—and at the same time save current—by pulsing the LED and connecting the phototransistor to a missing pulse detector. Here are two examples.

556 Slot Switch. In the circuit shown in Fig. 6, one half of a 556 dual timer serves as the pulse generator for a LED. The remaining half is connected as a missing pulse detector.

Pulses from the transmitter continually reset and trigger the one-shot. Blocking the slot between the LED and phototransistor causes the missing pulse detector to change states and light the indicator LED.

The SCR latch in Fig. 5 can easily be added to this circuit. Also, you can experiment with $R4$ and $C2$ in the receiver portion of the circuit to alter its response time. For example, if the timing cycle of the receiver is 100 milliseconds longer than the period between pulses from the LED, the slot switch will ignore an interruption lasting less than 100 milliseconds.

CMOS Slot Switch. A single 4011 quad NAND gate can provide the bulk of the transmitter and receiver electronics for a pulsed break-beam slot switch based on the missing-pulse principle. Figure 7 is the schematic diagram of the slot switch.

In operation, the LED in the slot switch is pulse-modulated by the astable multivibrator formed by two of the gates in the 4011. Timing components $R1$ and $C1$ determine the pulse rate and $R2$ limits the peak current through the LED. Pulses from the LED are detected by the Darlington phototransistor in the slot switch and presented to one input of a NAND gate. The inverted output from the multivibrator is presented to the second input of the NAND gate. When optical pulses are received by the phototransistor, its collector goes low, causing the output of the NAND gate to go high. When the slot is obstructed, both inputs to the NAND gate go high each time the slot switch LED is pulsed. This turns the indicator LED on.

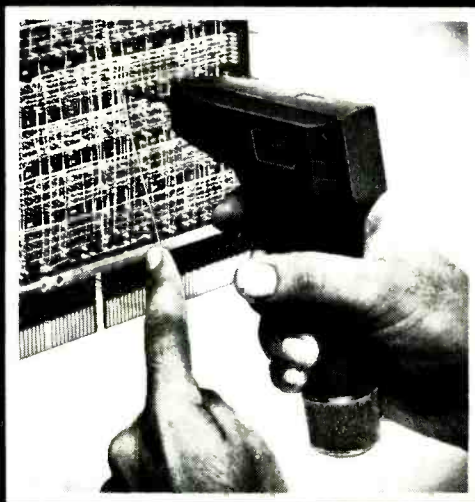
Although the indicator LED appears to be glowing continuously when the slot is obstructed, it is actually flashing at the same rate at which the slot switch LED is pulsed. ◊

BATTERY-WRAP

WIRE WRAPPING TOOL

MODEL BW-2630

- POSITIVE INDEXING
- ANTI-OVERWRAPPING
- BITS AVAILABLE FOR AWG 26, 28 & 30
- BATTERY OPERATED
- LIGHT WEIGHT



\$19⁸⁵*

BATTERIES AND BIT NOT INCLUDED

U.S.A. FOREIGN PATENTS PENDING



OK MACHINE & TOOL CORPORATION
3455 CONNER ST., BRONX, N.Y. 10475 U.S.A.
TELEX 125091

BW-2630	BATTERY-WRAP TOOL	\$19.85
BT-30	BIT FOR AWG 30	\$ 3.95
BT-2828	BIT FOR AWG 26 & 28	\$ 7.95
RB-20	TWO NI-CAD BATTERIES	\$10.75

*MINIMUM ORDER \$25.00, SHIPPING CHARGE \$2.00, N.Y. CITY AND STATE RESIDENTS ADD TAX

The
cost effective
way to
**MEASURE
CAPACITANCE**



**The
B&K-PRECISION
MODEL 820
Only \$130**

For about one-third the cost of the most popular digital capacitance meter, you can own five times more measurement capability. The new B&K-PRECISION 820 reads all the way to 1 Farad, in ten ranges. With 0.5% accuracy, the 820 resolves to 0.1pF for a maximum count of 9999.

The battery operated 820 stays on the job over a wide range of temperatures, making it ideal for field use. The bright LED display is easily readable under all lighting conditions.

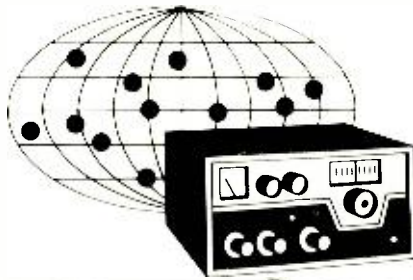
The 820 has almost unlimited applications in engineering, production line work, QC, education and field service. For example, you can measure unmarked capacitors . . . Verify capacitor tolerance . . . Measure cable capacitance . . . Select and match capacitors for critical circuit applications . . . Sample production components for quality assurance . . . Measure capacitance of complex series-parallel capacitor networks . . . Set trimmer capacitors to specific capacity . . . Check capacitance in switches and other components.

**Available for immediate delivery
at your local electronic distributor**

**BK PRECISION DYNASCAN
CORPORATION**
6460 W. Cortland Street • Chicago, IL 60635
312/889-9087

In Canada: Atlas Electronics, Ontario

Intl. Sls: Empire Exp., 270 Newtown Rd., Plainville, LI, NY 11803
CIRCLE NO. 11 ON FREE INFORMATION CARD
92



DX Listening

By Glenn Hauser

A SURVEY OF DX PROGRAMS

THIRTY shortwave stations—some grudgingly, others eagerly—devote from 3 to 90 minutes of airtime a week to DX Programs. With almost 30 different approaches, the stations attempt to provide a feature for those who regard shortwave as more than just another radio band.

Here is our review of these programs. The more stars, the better the program, in our opinion. All times are GMT, but days of week are local in North America. Frequencies are in kilohertz and are for the summer, but most should continue in the fall.

Australia. (**) "Club Forum" is nominally the voice of the *Radio Australia* listeners club, a white elephant they so far haven't dared to slay, despite the fact that they no longer have the staff to process all those reception reports which are of little value to them. Actually, it is a quickie production glaringly deficient in preparation, by Warren Moulton, a ham radio operator who is obviously not very familiar with shortwave broadcasting. Mainly plugs for various real DX clubs' publications, occasional interviews, and a few minutes of the 15 (no more than 5) given to DX tips (which is what most listeners would rather hear more of) drawn from "DX Time" a *Radio Australia* Japanese program wherein DX tips are more appreciated. Keith Glover often substitutes. Fridays at 0240 on 21740 and 17795.

Austria. (****) "Shortwave Panorama" from *Austrian Radio* is one of the more original DX programs. It rarely broadcasts tips, but it does have general news of broadcasting developments and tightly produced features on rare stations. These are complete with studio recordings of their IDs, the latter done by Jonathan Marks, a college student in England. Plagued by reception problems in North America. Try Sundays 2305 to 2320 on 12015, 9770, or 5945.

Belgium. (**) "DX Corner Belgium" from *BRT* sounds completely ad-libbed, as does much *BRT* programming. Let-

ters from listeners are read and DX tips are given, apparently without any editorial checking. But host Frans Voosen is to be thanked for keeping the show going after the departure of Ursula. It is on the second and fourth Sundays at 1635 (1735 Oct-Mar) on 21475 and 17745, at 2245 on 15175, and 0040 on 11715 and 15175.

Bulgaria. (**) *R. Sofia's* DX program has improved in recent years, revealing a new liberalism in giving schedules not only of socialist stations but nonsocialist ones. Has considerable ham-oriented material, often quoting ARRL. It has ham DX tips and was a major source of information on the ham operations of the *Ra* expedition and other ham news of DX interest. On Fridays at 2135 on 15135 and 11750; at 0435 on 11750 and repeated at the same times Sundays. On the last week of the month, a useful propagation forecast is broadcast.

Canada. (****) *RCI's* "DX Digest" squeezes a lot into about 30 minutes a week. Host Ian McFarland presents talks on a variety of subjects related to radio and introduces a number of regular rotating features, such as a handicapped aid program report on the first Sunday of the month from Jeff White. It has the most up-to-date DX news (only two or three days old at air time) of any station. The program is presented in four editions—I and II combined Sundays at 1807 on 15260 and 17820, III and IV combined Wednesdays at 2145 on 17780, 15150, and 11940. Other Sunday broadcasts contain one edition each—I at 1915 on 15325 and at 0015 (May to October) and 0115; II at 2015 on 17875 and 15325 and at 0215; III at 0315; and IV at 0415. In the evening the frequency 5960 is joined by different parallel at different hours. I provide different DX news in editions I and III; two Canadians give the DX news in editions II and IV.

Canada. (****) "The Sound of Shortwave" is a weekly conversation between Steven Freygood of *CBC* Halifax and

POPULAR ELECTRONICS

Don Harron, host of Morningside playing straight man. Freygood picks out the oddities he's heard over the past weekend on major broadcasts and puns with the Canadian angle if he can find one. Mondays about 1325 on CBC Northern Service (11720 and 9625) and on CBC Radio throughout Canada at 9:25 a.m. local time (9:55 in Newfoundland). As a feature within a program, its time varies greatly, and at the last check before press time, it had disappeared.

Czechoslovakia. (*) *Radio Prague's* so-called DX program is an example of everything a DX program should not be—endless incestuous discussions of Czechoslovakia's domestic broadcasting system. On Thursdays at 0135 and 0335. However, producer Oldrich Cip (A.K.A. Peter Skala) recently met with his Western counterparts in Vienna, giving us some hope for improvements.

Ecuador. (***) *HCJB's* "DX Party Line" has far more time at its disposal than any other DX program—90 minutes a week—with three different programs each broadcast at four different times. Yet, most of this time is wasted with repeated items, irrelevant material like "Tips for Real Living", hellos, good-byes, and thank-yous by host Clayton Howard, who speaks at about half the rate of the average person. However, this is an advantage for people whose native language is not English and for those who tape the show and can listen to it at double speed without missing a word. The show is invariably kept at the absolute-beginner level: *HCJB* is really on the lookout for converts to evangelical Christianity. The DX program is merely a means to this end, as *HCJB* candidly admits in duns to U.S. contributors. Still, the program does have some worthwhile segments, produced by Jeff White on Wednesdays. John Trautschold, who speaks at about double the speed of the average person, presents a SPEEDX report on Saturdays. Although considerable DX tips are given, they are not timely and are often out of date due to the prerecording schedule of the program and lethargic mail service. This is great potential, going to waste. Mondays, Wednesdays, and Saturdays at 0230 on 11915 and 9745. Can also be heard Mondays, Thursdays, and Saturdays at 2130 when it is to Europe on 21480, 17765, and 15295.

Finland. (**) *R. Finland* has a fortnightly "World of Radio" segment on "Sunday Best" around 1350 on 15400, when reception in North America is un-

reliable. David Mawby has been making a systematic study of the "communications chain"—August 12, Propagation; August 26, Reception; September 9, The Listener's Environment. Rather elementary stuff, but there may be some interesting ideas presented.

Germany East. (***) "RBI DX Club" has technical talks beyond the beginner stage, plugs for its club awards program and an ionospheric weather report. Fortnightly on Mondays, 0130 and 0300 on 9730 and at 0400 on 11890 and 11840.

Germany West. (**) *Deutsche Welle* has a "DX Programm" in some English broadcasts but not to North America. Instead, the German program goes bilingual 10 minutes a month on the second Saturdays at 2350 and 0350 on many unavoidable frequencies. It leans toward items from the broadcaster's point of view, sunspot counts, and some ham radio items. No attempt at DX tips. Written by G. G. Thiele, a ham who works at the station and has been in broadcasting since the days of Rommel.

Hungary. (**) *Radio Budapest* "Calling DXers and Radio-Amateurs" has a nice theme song. It takes up a lot of time with identically worded thank-yous after each contributor. Program content varies. They have been giving an interminable listing of DX abbreviations, a few letters at a time. Sometimes listeners' loggings are read off, in a very dull fashion, always with SINPO but without program details and without any regard as to whether they are newsworthy or even correct. The English announcers do not check with *Radio Budapest's* Spanish announcers on pronunciation of Latin American names, producing some awful results. Sometimes there are some ham radio DX tips. Programming is liberal enough; they don't mind mentioning WYFR, for instance. Tuesdays and Fridays at 0400; Saturdays at 0215 and 0315, on 17710, 15225 and 9835.

Israel. (***) *Israel Radio's* "DX Corner," squeezed in at the end of Sunday broadcasts (except for holidays when it is bumped to Monday), is the shortest DX program on the air. But Ben Dalfen usually comes up with an interesting topic that avoids duplication of other stations. There are never any DX tips. On the air at 2025 and 2255 on 17645, among other frequencies.

Japan. (**) *R. Japan* has a DX news segment at the end of "Tokyo Calling," compiled by the Japan SW Club, but there is hardly ever anything but routine loggings and schedules. Announcers are difficult to understand. To break up

Put Professional Knowledge and a COLLEGE DEGREE in your Electronics Career through HOME STUDY



Earn Your DEGREE

No commuting to class. Study at your own pace, while continuing your present job. The Grantham home-study program leads first to the A.S.E.T. and then to the B.S.E.T. degree. Our free bulletin gives complete details. Write for *Bulletin E-9*.

Grantham College of Engineering
2500 S. LaCienega Blvd.
Los Angeles, California 90034

Learn Electronics along with MATHEMATICS

The Grantham Electronics-With-Mathematics Series—in six volumes, written in home-study-course style—is now available by mail order.....

(To order, check off the volumes wanted.)

- Introductory Electricity With Mathematics. Size, 7 x 10½. 288 pages.. \$12.95
- Fundamental Properties of AC Circuits. Size, 7 x 10½. 276 pages..... \$12.95
- Mathematics for Basic Circuit Analysis. Size, 7 x 10½. 352 pages..... \$14.75
- Basic Electronic Devices and Circuits. Size, 7 x 10½. 431 pages..... \$16.75
- Basic Radio and Television Systems. Size, 7 x 10½. 409 pages..... \$16.75
- Antennas, Transmission Lines, and Microwaves. Size, 7 x 10½. 315 pages.. \$14.75

The books listed above are written in easy-to-understand home-study style, and include many circuit diagrams with explanations, sample problems with step-by-step solutions, practice problems with answers, etc.

Prepare for Your F.C.C. License

- Grantham's FCC License Study Guide. Size, 7 x 10½. 377 pages..... \$14.75

This book, for those with some knowledge of electronics, prepares you for commercial radiotelephone license exams—3rd, 2nd, and 1st class. It includes 1465 FCC-type practice questions, with more than 65,000 words of explanation, keyed to the questions.

To Order any books listed above, check them, compute the total price, add only 85¢ for shipping charges (regardless of number of books), and mail this ad (or order by letter) with your name, address, & payment (no C.O.D.S) to:

GSE Technical Books
(2500 S. LaCienega Blvd.)
P. O. Box 35499
Los Angeles, California 90035

CIRCLE NO. 29 ON FREE INFORMATION CARD

The Who, What, Why and How of MICROPROCESSORS



From Osborne /McGraw-Hill, Inc.

An Introduction to Microcomputers
Four books that can teach you everything you need to know about microcomputers.

Volume 0 — The Beginner's Book

If you're not familiar with computers, but would like to be, then this is the book for you. Computer logic and terminology are introduced in a language the beginner can understand. Computer software, hardware and component parts are described, and simple explanations given for how they work. Text is supplemented with creative illustrations and numerous photographs. \$7.95. Quantity: _____

Volume 1 — Basic Concepts

A must for anyone in the computer field, this best selling text explains hardware and programming concepts common to all microprocessors. \$9.50. Quantity: _____

Volume 2 — Some Real Microprocessors

Provides objective, commercial-free descriptions of virtually every microprocessor on the market today. Lets you know what's available, how they work (or sometimes don't work), and how to use them. More detailed user/designer information than provided by most manufacturers.

Loose leaf, unbound \$25.00. Quantity: _____
Binder \$ 5.00. Quantity: _____

Volume 3 — Some Real Support Devices

Same objective, in-depth coverage as Volume 2, but applied to support devices that might be used in any microprocessor system: memory, data communication devices, data converters, direct memory access controllers, busses, and much more.

Loose leaf, unbound \$15.00. Quantity: _____
Binder \$ 5.00. Quantity: _____

Volume 2 and Volume 3 Updates

To cope with the rapid evolution of microprocessor products, both Volume 2 and Volume 3 have their own series of six bimonthly updates, allowing you to remain current with all parts as soon as they are really available. Update subscriptions sold separately. Volume 2 update \$25.00/yr. Quantity: _____

Volume 3 update \$25.00/yr. Quantity: _____
Volume 2 and Volume 3 updates purchased together \$40.00/yr. _____

Write or call for a **FREE** catalog and information on other books on microprocessors.

Osborne /McGraw-Hill, Inc.

630 Bancroft Way, Dept. A5 Berkeley, CA 94710
Tel. (415) 548-2805 TWX 910-366-7277

I have enclosed a check or money order for _____

Books Subtotal _____

(Calif. residents only.)

no tax on Update subscriptions) Tax _____

In the U.S. \$0.45 for each book Shipping _____
and binder. Foreign orders \$4.00 per item,
including each Update subscription (allow 4 weeks)

Please ship to TOTAL _____

Name: _____

Address: _____

City: _____

State: _____ Zip: _____

all this hard-to-digest data, some extraneous music is played every few minutes. Tune in Sundays at 1420 on 9505; 2320 on 17755; at 0025 on 17825 and 15270; at 0210 on 21640, 17825, 17725, and 15270.

Netherlands. (****)R. Nederland's "DX Jukebox" is probably the best DX program on the air. It contains a good mix of DX reports, propagation forecasts, tapes of station IDs, answers to listeners' questions, and club news. Unfortunately, the DX news isn't as timely as it might be, due to a two-week production lead time. The "jukebox" portion of rock music is supposed to ensnare passersby into DXing, while those who don't care for it have to put up with it to get the meat of the program. R. Nederland also offers free material by mail, such as DX Information Service Catalog and various courses. Tune in Thursdays at 1450 on 21480; at 2250 on 21640, 17810, 11740, and 11730; at 0250 on 9590 and 6165; and at 0550 on 9715 and 6165. You can hear my North American DX report on the third week and Review of International Broadcasting on the fourth week.

New Zealand. (***) "Arthur Cushman's DX World" via R. New Zealand is a 15-minute summary of DX news and schedules and some station ID tapes. It's on the first Sunday at 1015 (Nov. to Feb. 0915) on 6105. If you can't hear that, "DX Party Line" usually reads the whole script some weeks later on no particular schedule, and a condensed version is on "DX Juke Box" on the first Thursday.

Portugal. (**) R. Portugal has a DX feature every third Friday, that is on one week, off two weeks. Don't believe the announcer's promise to be back in 2 weeks. Tune in at 0315 and 0515 on 11935 and 6025.

Romania. (**) Radio Bucharest has a DX program Monday and Friday at 0215 on 11940 and 9570, with a ham-oriented technical talk.

South Africa. (**) Gerry Wood, a free-lancer, presented "DX Corner" until late last year. He made it a really interesting program, with thought-provoking commentaries on the DX hobby and some African DX news. But the program was turned over to Radio RSA employee Pieter Martins, who spends a lot more time talking about South African domestic broadcasting, a la Czechoslovakia. Tune in Saturdays at 2135 on 15155 and 0235 on 9610 and 5980, or Mondays at 1330 on 25790, 21535, or 15220.

Best price and delivery on . . .

Exidy Sorcerer®

— call us —



SAVE

15% on NORTH STAR CROMEMCO and other S-100 Systems

10% OFF RADIO SHACK TRS-80 and accessories (full warranty)

Complete line of printers and disk systems for TRS-80

— WRITE FOR FREE CATALOG

MiniMicroMart, Inc.

1618 James Street, Syracuse NY 13203
PHONE: (315) 422-6666 TWX 710 541-0431
CIRCLE NO. 40 ON FREE INFORMATION CARD

J&R THE ONE-STOP MUSIC SHOP AT WHOLESALE PRICES

REEL-TO-REEL

Maxell UD 35 90 1800 ft.	CALL
Maxell UDXL 35-90R 1800 ft.	CALL
Maxell UD 35 180 3600 ft.	CALL
Scotch 212 1800 ft.	\$4.25
Scotch 207 1800 ft.	\$5.19
TDK L 1800 1800 ft.	\$5.22

CASSETTE TAPES

Ampex L and Master II C 90	\$3.11
Ampex Grand Master II C 90	\$2.79
BASF Studio C 90	\$2.69
BASF Professional	\$2.99
Maxell UD C 90	CALL
Maxell UDXL I or II C 90	CALL
Maxell UDXL I or II C 90	CALL
Scotch low noise Dynadisc	CALL
C-90 7.5 pc.	\$4.99 for 3
Scotch Master I C 90	\$2.86
Scotch Master II or III C 90	\$3.29
Jayco (with name) C 90	\$2.58
TKK II C 90	\$1.20
TKK II C 180	\$1.68
TKK II C 180	\$2.10
TKK II C 180	\$2.99
TKK AD C 90	\$1.88
TKK AD C 90	\$2.62
TKK SA C 90	\$2.72
TKK SA C 90	\$3.18

VIDEO TAPES

BETA FORMAT	
TDK L 500 (2 Hour)	\$13.99
Sony L-750 (3 Hour)	\$18.88
Sony L-500 (2 Hour)	\$13.35
Scotch L-500 (2 Hour)	\$13.50
Zenith L-500 (2 Hour)	\$13.95
Ampex L-500 (2 Hour)	\$12.95
VHS FORMAT	
Scotch (200) (4 Hour)	\$17.10
JVC T-120 (4 Hour)	\$18.75
TDK T-120 (4 Hour)	\$19.50
Fuji F120 (4 Hour)	\$17.95
RCA VK-250 (4 Hour)	\$18.45
RCA VK-125 (2 Hour)	\$14.95
Panasonic NV-120 (2 Hour)	\$16.95
Panasonic NV160 (4 Hour)	\$14.95

Call or write for super low prices on Maxell tapes.

CARTRIDGES audio-technica

AT 20 SS	\$129.50
AT 15 SS	\$69.90
AT 14 SA	\$48.95
AT 12 SA	\$44.90
AT 10	\$12.00

SHURE

M85HE	\$34.95
V15 Type IV	\$89.90
V15 Type III	\$64.95
V15D	\$29.75
W16D	\$21.00
W16C	\$13.00
W70L	\$9.90

EMPIRE

2000Z	\$59.90
2000T	\$31.50
2000H	\$19.50
4000H	\$29.90
XSV3000	\$49.95
XV15 V200E	\$39.95
XV15 T50E	\$32.50
XV15 E25E	\$25.77
XV15 K0E	\$22.45

PICKERING

PRO 4AA	\$41.90
PRO 4 AA	\$44.90
HV	\$19.97
HV ILC	\$13.97
K 6A	\$10.97

HEADPHONES

Sennheiser	
HD 420	\$50.98
HD 430	\$74.40
HD 400	\$26.28
HD 414	\$44.38
HD 424	\$65.28
Koss	
PRO 4AA	\$41.90
PRO 4 AA	\$44.90
HV	\$19.97
HV ILC	\$13.97
K 6A	\$10.97

HOW TO ORDER: For shipment within 48 hours, send money order or certified check. Two weeks delay on personal checks. Please add \$3.50 per order for shipping & handling. (\$5.50 for orders outside U.S.). N.Y.S. residents add tax. No C.O.D.'s. All merchandise 100% guaranteed, brand new & factory fresh.

J&R MUSIC WORLD

33 PARK ROW DEPT. PE, NEW YORK, N.Y. 10038
ORDER TOLL FREE (800) 221-8180
CALL OR WRITE FOR FREE 120 PAGE CATALOG

CIRCLE NO. 33 ON FREE INFORMATION CARD

Spain. (***)*Spanish Foreign Radio's* "CQ, CQ" ("for amateur radio hams and DXers") has improved a lot, thanks to writer Ambrosio Wang An-Po. It has interesting talks and uncommon interval signal quizzes. You get only a few token items of "DX news," which usually aren't. The English version is an often-too-literal translation from Spanish. It has a really bouncy theme. Sundays at 0050 and 0145 on 11880 and 9630.

Sri Lanka. (***) "Radio Monitors International" via *SLBC* has a lot put into it by producer Adrian Peterson, an evangelist based in India. Various clubs from Australia to India to the USA contribute reports, as does Ian McFarland of *RCI*. But hearing it in North America is the problem. You can try on Sundays from 1100 to 1130 on 11835, 15120, and 17850, or at 1400 to 1430 on 15425 and 9720 (subject to change).

Sweden. (****)*Radio Sweden's* "Sweden Calling DXers" is the oldest DX program still on the air, dating from the 1940s. Liberal-minded compiler and presenter George Wood deemphasizes DX news in favor of more club news and commentary, to the detriment of the program. Still, from 50 to more than 100 people send in material each week from

all over the world, with Europe dominating, and very little of it ever gets on to this 10-minute program. Listen to other language versions for additional items or, better yet, write *Radio Sweden* for a free copy of the entire printed script. Tune in Tuesdays at 1415 on 21615; 2315 on 15290 and 11705; 0045 on 15290; and 0245 on 15275 and 11705.

Switzerland. (***)*SRI's* "Swiss Shortwave Merry-Go-Round" is a very informal conversation between "The Two Bobs" (Zanotti & Thomann), mainly off-the-cuff answers to listeners' technical questions. Also, a "strange signal" is played and identified each time, and once a month there is a sunspot report. The presenters, who are both hams, should do a little more research before guessing at answers to questions. There is never any DX news, which is left to other programs. Tune in second and fourth Saturdays at 1320 on 21570; 1820 on 21585; 0150 on 15305, 11715, 9725 and 6135; and 0435 on 15305, 11715, and 9725.

Turkey. (**)*Voice of Turkey* makes a valiant effort with its "DX Corner" (original title, eh?), but the station just doesn't have enough material. As a result, DX items from other stations and acknowl-

SEE YOUR DEALER TODAY

DEMAND THE ORIGINAL

'Firestik'

"THE FUEL-SEEKER"

THE #1 WIRE-WOUND AND MOST COPIED ANTENNA IN THE WORLD!

Rugged. Shatterproof Fiberglass . . .

CB Antennas and accessories for marine, RV

truck, auto, van and motorcycles, etc.

Four Colors: Silver, Gray, Black, Red, and White

Our 17th Year Serving the CB & Communications Market

SEND FOR FREE CATALOG



LIMITED OFFER — USA ONLY

Get this nine-inch 'Firestik' Antenna Wars decal in four beautiful colors on a PAL T-shirt. See your dealer today or send \$3.00 to:

PAL 2614 East Adams Phoenix, Az 85034

Name _____

Street _____

City _____

State _____

Zip _____

Dealer & Distributor Inquiries Invited

5-YEAR REPLACEMENT WARRANTY

CIRCLE NO. 50 ON FREE INFORMATION CARD

THERE'S A BETTER WAY TO GO.

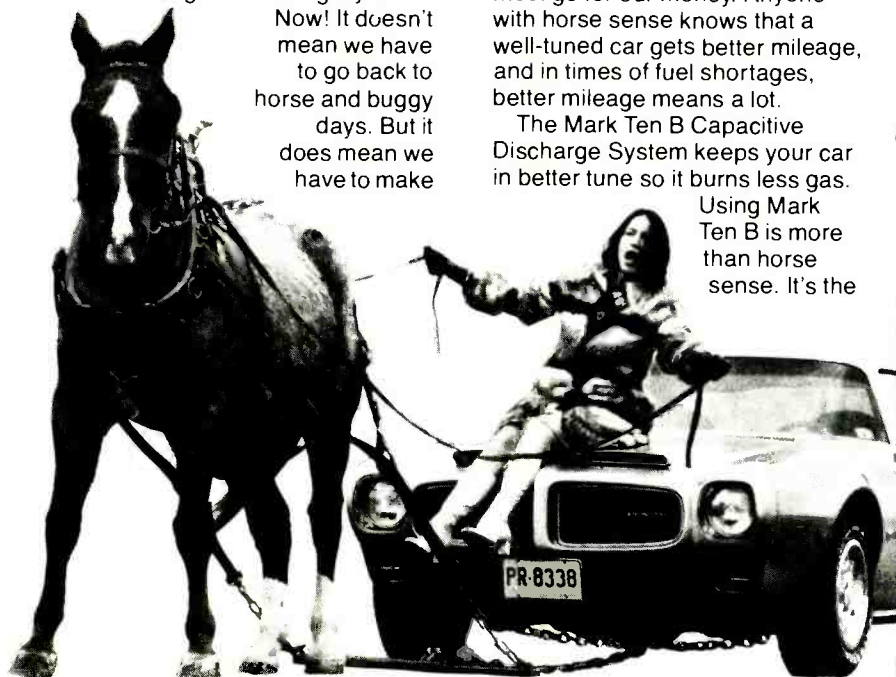
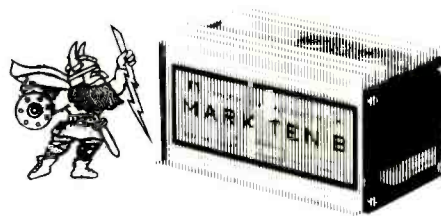
Energy shortages tell us we have to change our driving style.

Now! It doesn't mean we have to go back to horse and buggy days. But it does mean we have to make

every drop of gas give us the most go for our money. Anyone with horse sense knows that a well-tuned car gets better mileage, and in times of fuel shortages, better mileage means a lot.

The Mark Ten B Capacitive Discharge System keeps your car in better tune so it burns less gas. Using Mark Ten B is more than horse sense. It's the

smart move under the hood, helping a nation survive an energy crisis and keeping you on the road. Delta Mark Ten. The best way to go.



DELTA PRODUCTS, INC.

One Delta Way, Dept. PE
Grand Junction, Colo. 81501
(303) 242-9000

I want to know more about Mark Ten CDI's. Send me complete no-nonsense information on how they can improve the performance of my car.

Name _____

Address _____

City _____

State _____

Zip _____

CIRCLE NO. 19 ON FREE INFORMATION CARD

The better your ear,
the more you
need new
Audio-Technica
**VITAL
LINKS!**

Every wire, every connection in your stereo system is a source of trouble, a chance for losses which can keep your system from achieving its full potential.

Introducing three new Vital Link wire sets from Audio-Technica... each a positive step toward ideal performance and trouble-free operation.



Start at the cartridge with the AT609 Head Shell Wire Set. Color-coded, insulated wires with 14 strands of pure silver Litz wire, terminated in corrosion-free gold terminals. No losses, no intermittents. Easy to install. Just \$6.95 and worth every penny.



Between turntable and amplifier (or any two stereo components) use new AT610a High Conductivity Cable. A stereo pair 60" long, plus an independent ground wire with lugs. Each gold-plated plug is color-coded. Both resistance and capacitance are far below ordinary cables. Only \$9.95.

For the most critical installations use our AT620 Superconductivity Cable Set. Two individual cables, each 48" long, with heavily gold-plated plugs. Inside the wire shield is a second conductive layer of polypropylene shielding. Special foam dielectric keeps capacity low, while superb conductivity is assured by using Litz-wire inner conductors with maximum surface area which reduces high frequency losses. The set lists for \$29.95.



From phonograph cartridge to loud-speaker, each audio system is a chain, no stronger than its weakest link. Connect your system with Vital Link cables from Audio-Technica. At your A-T dealer now. Or write for our complete audio accessory catalog.

 **audio-technica**
INNOVATION □ PRECISION □ INTEGRITY
AUDIO-TECHNICA U.S., INC.
Dept. 99P, 33 Shawnee Avenue
Fairlawn, Ohio 44313

CIRCLE NO. 9 ON FREE INFORMATION CARD

edgements to listeners' reception reports must be read. Tune in Monday, Thursday, and Saturdays at 2135 on 11955 and 9515.

UK. (***)The BBC "World Radio Club" is a weekly quarter-hour tightly-produced and superficial, as an attempt is made to squeeze too much material into the time available. (Admission to the Club is free to anyone who applies. You must be a member to participate in penant and QSL competition.) The vast resources of the BBC Monitoring Service are barely tapped for DX news, also provided by individual DXer Noel Green. Nor is there DX news every week—it's a convenient time-filler, made up of many short, unrelated items. And the DX news is interrupted by host Peter Barsby every few seconds to make it sound like a conversation. Because of the curious station policy, producer Reg Kennedy apparently censors out any DX news about communist countries, which is a head-in-the-sand approach that is unworthy of a great world broadcaster. Henry Hatch often replies to listeners' questions in an extremely condescending tone. Scheduling could change in September. Tune in now on Sundays at 0745, Mondays at 1115, Tuesdays at 2100, or Wednesdays at 2315.

USA. To our shame, there is no DX program on an American shortwave station. However, those people who are close enough to Knoxville, TN, can hear my "Shortwave Review," most Saturdays for 5 to 20 minutes before noon eastern time on WUOT (FM) 91.9 MHz. The Review includes DX news even before it is heard on RCI DX Digest, broadcast reviews, and replays of some shortwave DX programs. It is available to other stations on a noncommercial basis.

USSR. (**)*R. Moscow's* "DX Program" proves that the Russians really do have no qualms about plagiarism. This might be called "the illegitimate son of Sweden Calling DXers," since a few weeks after an item appears in SCDX, it turns up here with no source stated. Occasional info on Soviet broadcasting and ham radio is given. Tune in Saturdays at 1135, 1535, 1835, 2135, 2335, 0135, 0335, 0435, and 0635; Tuesdays at 0835 and 1535; Thursdays at 1435.

USSR. (*)*R. Kiev* also has a DX program that is largely ham-radio oriented and inward-looking. Tune in Wednesdays at 0045 and 0315.

USSR. *R. Tashkent* has a DX program on the second Sunday at 1200, repeated the following Saturday at 1400 on 15460, 15125, 11925, and 11730. ◇

FREE 
CATALOG
Audio—Computers
Instruments
Kits & Assembled



Southwest Technical Products Corporation
219 W. RHAPSODY
SAN ANTONIO, TEXAS 78216

CIRCLE NO. 58 ON FREE INFORMATION CARD

**Learn
Camera
Repair
at home**

Camera repair is a great field for full-time work, second income, retirement income or just a profitable hobby. Our proven system provides all essential lesson materials, tools, practice equipment, professional instruction. Includes the latest in photo electronics.

Learn at home in your spare time. Send for free school brochure. Accredited member National Home Study Council, approved for veterans training, pioneers in photo technology training since 1952.



National Camera, Inc.
Technical Training Division
1315 South Clarkson St., Dept. GGA
Denver, CO 80210

CIRCLE NO. 41 ON FREE INFORMATION CARD



Product Test Reports

B&K Precision Model DP50 50-MHz Digital Probe



THE Model DP50 from B&K Precision has been designed for use with RTL, DTL, TTL, HTL, MOS, CMOS, and HiNIL (high-noise-immunity logic) families. Thus, it is an almost "universal" digital electronics circuit test instrument. The 50-MHz probe is compact, measuring only 6"L x 1¼"W x ¾"D (15.2 x 3.2 x 1.9 cm) and weighs just 3.5 oz (98 g). It comes with 30" power leads, to the ends of which are attached insulated color-coded alligator clips. Suggested retail price is \$50.00.

General Description. Three bright light-emitting diodes located near the probe's test tip indicate the conditions existing at any given point in a circuit under test. Two of these are assigned to indicating steady-state logic-0 and logic-1 states, while the third is a pulse-catcher display. Near these three LEDs is a MEM/PULSE slide switch for selecting either the memory or pulse mode of operation. In the PULSE position, a detected pulse can be stretched out to 200 ms so that very fast pulses, some of which may not cause the LED to light, can be observed. Set to the MEM mode, a fast transient pulse will cause the PULSE LED to come on and remain on until the logic in the probe is reset.

The probe is designed to detect pulses of less than 20 ns in width (10 ns typical). Intensity of the associated LED indicates the duty cycle of the pulse.

When the probe is operated in the PULSE mode, it can detect and stretch any pulse that crosses the threshold level, while in the MEM mode, it can detect and latch onto any threshold crossing. The logic-0 and logic-1 thresholds are 0.8 volt for TTL or 30% V_{DD} for CMOS and 2.4 volts for TTL or 70% V_{DD} for CMOS, respectively.

Overload protection of ± 50 volts is provided for the input, whose impedance is rated at 2 megohms for minimum loading. The probe is designed to operate with power supplies with outputs of from 5 to 15 volts dc. Input protection on the power leads is provided up to 20 volts; reverse-polarity protection is to 50 volts.

There are only two operating controls on the probe, both slide switches. One is the MEM/PULSE switch. The other is the logic-family selector whose positions are labelled TTL and CMOS.

Test Results. The testing procedure for a simple test instrument like a digital probe is necessarily limited. In the case of the DP50 probe, we were able to

check only frequency response, sensitivity, and duty cycle.

In an overall frequency-response measurement, the probe delivered reliable performance out to at least 50 MHz. We did not attempt to determine the absolute top-end response of the probe. We did, however, obtain reliable performance with a 60-MHz input signal.

The PULSE and MEM modes permitted the logic probe to catch pulses of very short duration, at least down to 10 ns and 5% duty cycle. The triggering thresholds for the two logic levels were almost exactly as specified.

The light-emitting diode indicators were more than adequately bright. Even under bright lighting conditions, the light-emitted LEDs were easy to distinguish.

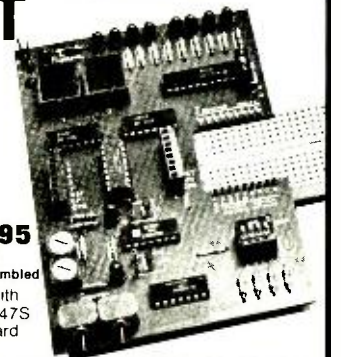
User Report. Unlike many digital probes we have used over the years, the DP50 stands out for its "human engineering." It is one of the best "hand-fitting" probes we have encountered. This, plus its surprisingly light weight, enabled us to rapidly troubleshoot a number of digital systems without suffering operator fatigue.

CIRCLE NO. 105 ON FREE INFORMATION CARD

FTK 6100 UNIVERSAL DESIGNER KIT

\$39⁹⁵

49.95 assembled
Shown with
CSC QT 47S
breadboard



An indispensable aid to digital IC design. Plugs directly into breadboard. Provides most often used inputs and outputs for design circuits.

- 2 Bounceless pushbuttons
- 2 Readouts with BCD inputs
- 4 switch outputs
- 8 LED monitors
- 2 Variable clock generators
- 2 Decade counters
- 5 Volt supply pins

Send check or money order to:

PACCOM

14905 N.E. 40TH STREET, REDMOND, WA 98052
(206) 883-9200 TWX 910-449-2592

CIRCLE NO. 48 ON FREE INFORMATION CARD

By Netronics

ASCII/BAUDOT,
STAND ALONE



Computer Terminal

COMPLETE FOR ONLY \$149⁹⁵

The Netronics ASCII/BAUDOT Computer Terminal Kit is a microprocessor-controlled, stand alone keyboard/terminal requiring no computer memory or software. It allows the use of either a 64 or 32 character by 16 line professional display format with selectable baud rate, RS232-C or 20 ma. output, full cursor control and 75 ohm composite video output.

The keyboard follows the standard typewriter configuration and generates the entire 128 character ASCII upper/lower case set with 96 printable characters. Features include onboard regulators, selectable parity, shift lock key, alpha lock jumper, a drive capability of one TTY load, and the ability to mate directly with almost any computer, including the new Explorer/85 and ELF products by Netronics.

The Computer Terminal requires no I/O mapping and includes 1k of memory, character generator, 2 key rollover, processor controlled cursor control, parallel ASCII/BAUDOT to serial conversion and serial to video processing—fully crystal controlled for superb accuracy. PC boards are the highest quality glass epoxy for the ultimate in reliability and long life.

VIDEO DISPLAY SPECIFICATIONS

The heart of the Netronics Computer Terminal is the microprocessor-controlled Netronics Video Display Board (VID) which allows the terminal to utilize either a parallel ASCII or BAUDOT signal source. The VID converts the parallel data to serial data which is then formatted to either RS232-C or 20 ma. current loop output, which can be connected to the serial I/O on your computer or other interface, i.e., Modem.

When connected to a computer, the computer must echo the character received. This data is received by the VID which processes the information, converting to data to video suitable to be displayed on a TV set (using an RF modulator) or on a video monitor. The VID generates the cursor, horizontal and vertical sync pulses and performs the housekeeping relative to which character and where it is to be displayed on the screen.

Video Output: 1.5 P/P into 75 ohm (EIA RS-170) • **Baud Rate:** 110 and 300 ASCII • **Outputs:** RS232-C or 20 ma. current loop

• **ASCII Character Set:** 128 printable characters—



BAUDOT Character Set: ABCDEFGHIJKLMNOPQRSTUVWXYZ-? : ; ! " \$ % & ' () * + , - . / 0 1 2 3 4 5 6 7 8 9 : ; (=) ?
RSTUVWXYZ-? : ; ! " \$ % & ' () * + , - . / 0 1 2 3 4 5 6 7 8 9 : ; (=) ?
' abcdefghijklmnopqrstuvwxyz () * + , - . / 0 1 2 3 4 5 6 7 8 9 : ; (=) ?

Cursor Modes: Home, Backspace, Horizontal Tab, Line Feed, Vertical Tab, Carriage Return. Two special cursor sequences are provided for absolute and relative X-Y cursor addressing • **Cursor Control:** Erase, End of Line, Erase of Screen, Form Feed, Delete • **Monitor Operation:** 50 or 60Hz (jumper selectable).

Continental U.S.A. Credit Card Buyers Outside Connecticut

CALL TOLL FREE 800-243-7428

To Order From Connecticut Or For Technical Assistance, Etc. Call (203) 354-9375

Netronics R&D Ltd., Dept. PE-9
333 Litchfield Road, New Milford, CT 06776

Please send the items checked below—

- Netronics Stand Alone ASCII Keyboard/Computer Terminal Kit, \$149.95 plus \$3.00 postage & handling.
- Deluxe Steel Cabinet for Netronics Keyboard/Terminal In Blue/Black Finish, \$19.95 plus \$2.50 postage and handling.
- Video Display Board Kit alone (less keyboard), \$89.95 plus \$3 postage & handling.
- 12" Video Monitor (10 MHz bandwidth) fully assembled and tested, \$139.95 plus \$5 postage and handling.
- RF Modulator Kit (to use your TV set for a monitor), \$8.95 postpaid.
- 5 amp Power Supply Kit In Deluxe Steel Cabinet (± 8 VDC @ 5 amps, plus 6-8 VAC), \$39.95 plus \$2 postage & handling.

Total Enclosed (Conn. res. add sales tax) \$ _____

By—
 Personal Check Cashiers Check/Money Order
 Visa Master Charge (Bank # _____)

Acct. # _____

Signature _____ Exp. Date _____

Print Name _____

Address _____

City _____

State _____ Zip _____

Send Me More Information

CIRCLE NO. 42 ON FREE INFORMATION CARD



Computer Bits

By Hal Chamberlin

DIGITAL MAGNETIC RECORDING

IN AN EARLIER column, many different *audio* data recording techniques were described. One feature all of them had in common was the overriding requirement for compensation for waveform distortion and frequency-response limitations of audio cassette recorders. The consequence is low speed (typically between 100 and 1000 bits per second) and an unsatisfactory reliability factor for serious personal or business use. Both of these problems can be overcome through the use of direct *digital* recording on the tape, thereby bypassing the audio circuitry.

Saturation Recording. Direct digital recording is also called saturation recording because the magnetic coating on the tape is fully saturated by the recording process. Normal audio recording uses only a small portion of the tape's "magnetic energy" to reduce harmonic distortion to acceptable levels. By magnetically saturating the tape, however, variations in tape sensitivity are masked and the higher-level playback is better able to overcome noise.

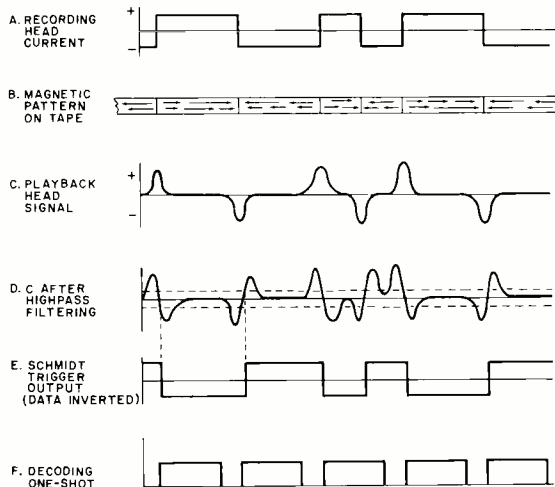
With saturation recording, referring to the waveform of the signal is no longer meaningful since everything is distorted into square waves. The basic signal element is the flux transition. As shown at (A) in the figure, the current waveform is

either fully positive for north-south magnetization of the tape or fully negative for south-north magnetization. The actual magnetic pattern recorded on the tape is shown at (B).

When playing back the illustrated pattern, one would expect the playback head's signal to closely resemble the square-wave signal recorded on the tape. Actually, the action is similar to that of an induction coil so the signal on the playback head appears as at (C). A signal is produced in the coil only when the magnetic field is changing. Thus, portions of the tape with a constant magnetic field produce no signal when they pass the playback head gap. The boundary separating opposite magnetic directions, however, will produce a pulse in the playback head when it passes. As illustrated, a transition from north to south produces a positive-going pulse, while a transition from south to north produces a negative-going pulse.

At first glance, it would seem that encoding bits into flux transitions would be simple: provide a north-south (positive playback pulse) for a one and a south-north (negative pulse) for a zero. Further thought, however, reveals that it would be impossible to obtain two ones or two zeroes in a row since pulse polarity always alternates and, therefore, has no information value. In fact, the only infor-

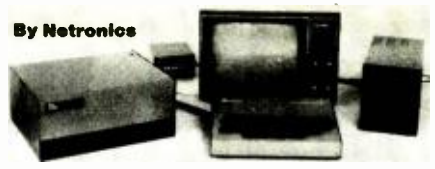
Waveforms involved in direct digital recording (or saturation recording), from current in the recording head to decoded digital pulses.



POPULAR ELECTRONICS

Explorer/85 Professional Computer

By Netronics



mation content in the playback waveform is the relative timing of playback pulses.

Waveforms (D) and (E) in the figure show how these playback pulses are accurately detected and converted into digital pulses for use by a computer or logic circuit. Since information is encoded in the pulse timing, it is desirable to find the center of the playback pulse, which corresponds to the actual point of flux transition. High-pass filtering of the playback waveform (D) produces a double pulse that crosses zero at the exact center of the playback pulse. Accuracy of this center point is largely unaffected by the amplitude of the playback pulse. Final recovery of the original recorded square wave is accomplished by passing the filtered signal through a symmetrical Schmitt trigger that converts it into a logic signal suitable for computer use.

For maximum speed and data capacity, it is desirable to be able to pack flux transitions as close together as possible. The limit is reached when they are so close together that adjacent playback pulses interfere excessively with each other. The result of such interference is called peak shift since peaks of the playback pulses shift position slightly while trying to equalize their density. The effect of peak shift is to reduce data recovery reliability because timing, which contains the information, is distorted.

Encoding Bits. The information content of the playback square wave is in the timing of transitions from 1 to 0 and from 0 to 1. There are several ways to encode bits into transition timing, but the most popular is called "double-frequency encoding." In this case, a bit cell always starts with a transition. A 1-bit is signified by the occurrence of another transition a short time later. A 0-bit consists of just the initial transition. (The data pattern shown in the figure illustrates the double-frequency encoding method.) The transitions that always occur at the beginning of the bit cell are termed *clock* transitions since they mark boundaries between bits. The transitions that may occur in the middle of the bit cell are termed *data* transitions since they contain the binary information.

The main advantage of double-frequency encoding is in the ease with which it can be generated and decoded. Decoding is simple and can be done with a one-shot circuit. The trick is to use a one-shot that will trigger whenever its input changes, unless it is already trig-

Starting at just \$129.95 for a Level "A" operating system, you can now build the exact computer you want. Explorer/85 can be your beginner's system... OEM controller, or IBM-formatted 8" disk small business system... yet you're never forced to spend a penny for a component or feature you don't want and you can expand in small, affordable steps!

Now, for just \$129.95, you can own the first level of a fully expandable computer with professional capabilities—a computer which features the advanced Intel 8085 cpu, thereby giving you immediate access to all software and development tools that exist for both the 8085 and its 8080A predecessor (they are 100% software compatible)—a computer which features onboard S-100 bus expansion—plus instant conversion to mass storage disk memory with either 5-1/4" diskettes or standard IBM-formatted 8" disks.

For just \$129.95 (plus the cost of a power supply, keyboard/terminal and RF modulator, if you don't have them already), Explorer/85 lets you begin computing on a significant level... applying the principles discussed in leading computer magazines... developing "state of the art" computer solutions for both the industrial and leisure environment.

Like all Netronics products, each level of Explorer/85 is engineered to professional standards. Top quality components are used throughout. You are insured, year after year, of stable, reliable service.

And Netronics lets you build the system you want—with the exact components you want. You're never forced to spend a penny for an item you already have (i.e., a power supply, RF modulator, keyboard, etc.) in order to get a new feature or component you need.

No matter what your future computing plans may be, Level "A" is your starting point.

Level "A" Specifications

Explorer/85's Level "A" system features the advanced Intel 8085 cpu, an 8355 ROM with 2k deluxe monitor/operating system, and an 8155 ROM-I/O—all on a single motherboard with room for RAM/ROM/PROM/EPROM and S-100 expansion, plus generous prototyping space.

(Level "A" makes a perfect OEM controller for industrial applications and is available in a special Hex Version which can be programmed using the Netronics Hex Keypad/Display.)

PC Board: glass epoxy, plated through holes with solder mask • I/O: provisions for 25-pin (DB25) connector for terminal serial I/O, which can also support a paper tape reader... provision for 24-pin DIP socket for hex keyboard/display... cassette tape recorder input... cassette tape recorder output... cassette tape control output... speaker output... LED output indicator on SOD (serial output) line... printer interface (less drivers)... total of four 8-bit plus one 6-bit I/O ports • Crystal Frequency: 6.144 MHz • Control Switches: reset and user (RST 7.5) interrupt... additional provisions for RST 5.5, 6.5 and TRAP interrupts onboard • Counter/Timer: programmable, 14-bit binary • System RAM: 256 bytes located at F800, ideal for smaller systems and for use as an isolated stack area in expanded systems... RAM expandable to 64k via S-100 bus or 4K on motherboard.

Monitor ROM (ASCII Keyboard Version): 2k bytes of deluxe system monitor ROM located at F000 leaving 0000 free for user RAM/ROM. Features include tape load with labeling (so that Explorer/85 can locate your specific program automatically)... tape dump with labeling... examine/change contents of memory... insert data (such as from a paper tape reader)... warm start (a feature which is especially helpful in debugging routines as it allows you to save the contents of the registers which might otherwise be lost along with the rest of your program when a bug causes it to self-destruct. The warm start feature helps you pinpoint the exact line in your program that contains an error)... examine and change all registers... single step with register display at each break point, a debugging/training feature... go to execution address... move blocks of memory from one location to another... fill blocks of memory with a constant... display blocks of memory... automatic baud rate selection... variable display line length control (1-255 characters/line)... channelized I/O monitor routine with 8-bit parallel output for high speed printer...

serial console in and console out channel so that monitor can communicate with I/O ports.

Monitor ROM (Hex Version): Tape load with labeling... tape dump with labeling... examine/change contents of memory... insert data... warm start... examine and change all registers... single step with register display at each break point... go to execution address.

Level "B" Specifications

Level "B" provides the S-100 signals plus buffers/drivers to support up to six S-100 bus boards and includes: address decoding for onboard 4k RAM expansion selectable in 4k blocks... address decoding for onboard 8k EPROM expansion selectable in 8k blocks... address and data bus drivers for onboard expansion... wait state generator (jumper selectable), to allow the use of slower memories... two separate 5 volt regulators to insure maximum stability and a noise free bus.

Level "C" Specifications

Level "C" expands Explorer's motherboard with a card cage, allowing you to plug up to six S-100 cards directly into the motherboard. Both cage and cards are neatly contained inside Explorer's deluxe steel cabinet. Level "C" includes a sheet metal superstructure, a 5-card gold plated S-100 extension PC board which plugs into the motherboard, 12 card guides, and all brackets and hardware needed for complete assembly. Just add required number of S-100 connectors.

In addition to six S-100 cards, Level "C" will also support an optional test socket that allows you to perform tests and maintenance on both sides of any individual S-100 card, under actual operating conditions. (You won't need Level "C" unless you are planning to use 3 or more S-100 cards with your Explorer/85.)

Level "D" Specifications

Level "D" provides 4k or RAM, power supply regulation, filtering decoupling components and sockets to expand your Explorer/85 memory to 4k (plus the original 256 bytes located in the 8155A).

The 2114 static RAM is organized as 1024 words by 4-bits using N-channel Silicon-Gate MOS technology and can be located anywhere from 0000 to EF FF in 4k blocks.

Level "E" Specifications

Level "E" adds sockets for 8k of EPROM to use the popular Intel 2716 or the TI 2516. It includes all sockets, power supply regulator, heat sink, filtering and decoupling components. Sockets may also be used for soon to be available RAM IC's (allowing for up to 12k of onboard RAM).

Order A Coordinated Explorer/85 Applications Pak!

Experimenter's Pak (SAVE \$12.50)—Buy Level "A" and Hex Keypad/Display for \$199.90 and get FREE Intel 8085 user's manual plus FREE postage & handling!

Student Pak (SAVE \$24.45)—Buy Level "A," ASCII Keyboard/Computer Terminal, and Power Supply for \$319.85 and get FREE RF Modulator plus FREE Intel 8085 user's manual plus FREE postage & handling!

Engineering Pak (SAVE \$41.00)—Buy Levels "A," "B," "C," "D," and "E" with Power Supply, ASCII Keyboard/Computer Terminal, and six S-100 Bus Connectors for \$514.75 and get 10 FREE computer grade cassette tapes plus FREE 8085 user's manual plus FREE postage & handling!

Business Pak (SAVE \$89.95)—Buy Explorer/85 Levels "A," "B," and "C" (with cabinet), Power Supply, ASCII Keyboard/Computer Terminal (with cabinet), 16k RAM, 12" Video Monitor, North Star 5-1/4" Disk Drive (includes North Star BASIC) with power supply and cabinet, all for just \$1599.40 and get 10 FREE 5-1/4" minidiskettes (\$49.95 value) plus FREE 8085 user's manual plus FREE postage & handling!

Continental U.S.A. Credit Card Buyers Outside Connecticut

CALL TOLL FREE 800-243-7428

To Order From Connecticut Or For Technical Assistance, Etc. Call (203) 354-9375

Netronics R&D Ltd., Dept. PE-9
333 Litchfield Road, New Milford, CT 06876

Please send the items checked below—

- Explorer/85 Level "A" Kit (ASCII Version), \$129.95 plus \$3 p&h.
- Explorer/85 Level "A" Kit (Hex Version), \$129.95 plus \$3 p&h.
- 8k Microsoft BASIC on cassette tape, \$64.95 postpaid.
- 8k Microsoft BASIC in ROM Kit (requires Levels "B," "D," and "E"), \$99.95 plus \$2 p&h.
- Level "B" (S-100) Kit, \$49.95 plus \$2 p&h.
- Level "C" (S-100 6-card expander) Kit, \$39.95 plus \$2 p&h.
- Level "D" (4k RAM) Kit, \$69.95 plus \$2 p&h.
- Level "E" (EPROM/ROM) Kit, \$5.95 plus 50¢ p&h.
- Deluxe Steel Cabinet for Explorer/85, \$49.95 plus \$3 p&h.
- ASCII Keyboard/Computer Terminal Kit (features a full 128 character set, upper & lower case, full cursor control, 75 ohm video output convertible to baudot output, selectable baud rate, RS232-C or 20 ma. I/O, 32 or 64 character by 16 line formats, and can be used with either a CRT monitor or a TV set (if you have an RF modulator), \$149.95 plus \$2.50 p&h.
- Deluxe Steel Cabinet for ASCII Keyboard/Terminal, \$19.95 plus \$2.50 p&h.
- Power Supply Kit (± 8V @ 5 amps) in deluxe steel cabinet, \$39.95 plus \$2 p&h.
- Gold Plated S-100 Bus Connectors, \$4.85 each, postpaid.
- RF Modulator Kit (allows you to use your TV set as a monitor), \$8.95 postpaid.
- 16k RAM Kit (S-100 Board expands to 64k), \$199.95 plus \$2 p&h.
- 32k RAM Kit, \$329.95 plus \$2 p&h.
- 48k RAM Kit, \$459.95 plus \$2 p&h.
- 64k RAM Kit, \$589.95 plus \$2 p&h.
- 16k RAM Expansion Kit (to expand any of the above up to 64k), \$139.95 plus \$2 p&h each.
- Intel 8085 cpu User's Manual, \$7.50 postpaid.
- Special Computer Grade Cassette Tapes, \$1.90 each or 3 for \$5, postpaid.
- 12" Video Monitor (10 MHz bandwidth), \$139.95 plus \$5 p&h.
- North Star Dense Density Floppy Disk System (One Drive for Explorer/85 (includes 3 drive S-100 controller, DOS, and extended BASIC with per-

sonalized disk operating system—just plug it in and you're up and running!), \$699.95 plus \$5 p&h.

- Power Supply for North Star Disk Drive, \$39.95 plus \$2 p&h.
- Deluxe Case for North Star Disk Drive, \$39.95 plus \$2 p&h.
- Experimenter's Pak (see above), \$199.90 postpaid.
- Student Pak (see above), \$319.85 postpaid.
- Engineering Pak (see above), \$514.75 postpaid.
- Business Pak (see above), \$1599.40 postpaid.

Total Enclosed \$
(Conn. res. add sales tax) By—
 Personal Check M.O./Cashier's Check Visa Master Charge

(Bank # _____)
Acct. # _____ Exp. Date _____
Signature _____
Print Name _____
Address _____
City _____
State _____ Zip _____

Send Me Information

CIRCLE NO. 43 ON FREE INFORMATION CARD

- Auto Indexing
- Anti-Overwrap
- Modified Wrap

BW2630	Hobby Tool	\$19.85
BT30	#30 Bit (Not Incl.)	3.95
BT2628	#26 Bit (Not Incl.)	7.95
BC1	Batteries & Charger	11.00

NEW!
\$19.85 SPECIAL!
\$5 CREDIT TOWARD
PURCHASE OF
ANY WIRE KIT



Precut Wire Wrap Wire

Kynar precut wire. All lengths are overall, including 1" strip on each end. Colors and lengths cannot be mixed for quantity pricing. All sizes listed are in stock for immediate shipment.

Other lengths available. Choose from colors: Red, Blue, Yellow, Orange, Black, White, Green and Violet. One inch tubes are available at 50¢ each.

#30 Wire Wrap Wire					Precut wire saves time and costs less than wire on spools				
	100	500	1,000	5,000		100	500	1,000	5,000
2.5 in	1.04	2.98	5.16	4.67	6.5	1.60	5.37	9.84	8.48
3	1.08	3.22	5.65	5.06	7	1.66	5.63	10.37	8.91
3.5	1.13	3.46	6.14	5.46	7.5	1.73	5.89	10.91	9.33
4	1.18	3.70	6.62	5.87	8	1.78	6.15	11.44	9.79
4.5	1.23	3.95	7.12	6.25	8.5	1.82	6.41	11.97	10.19
5	1.28	4.20	7.61	6.62	9	1.87	6.76	12.51	10.62
5.5	1.32	4.48	8.10	7.03	9.5	1.92	6.93	13.04	11.05
6	1.37	4.72	8.59	7.43	10	1.99	7.26	13.57	11.48
					add in	15	60	120	100

Kit #1	Kit #2	Kit #3	Kit #4	#30 Spools						
Less than 2.7¢/ft. (#30)	Less than 2¢/ft. (#30)	Less than 1.7¢/ft. (#30)	Less than 1.6¢/ft. (#30)	1-4	5-9	10+				
250 3'	100 4	250 2	250 5	500 2	500 4	1000 2	1000 4	500 1	1000 1	1000 1
250 3'	100 5	500 3'	100 5	500 3	500 5	1000 3	1000 5	250 1	500 1	1000 1
100 4	100 6	500 3	250 6	500 3	500 5	1000 3	1000 5	500 1	850 1	800 7
		500 4	100 6	500 4	500 6	1000 4	1000 6	1000 1	1450 1	1250 10
		250 4	100 7							

RNIC Sockets

WIRE WRAP SOCKETS	1-9	10-24	25-99	100-299	250-999
3-level Gold	4 Pin 40	36	34	31	27
Closed Entry Design	11 Pin 42	39	37	34	32
All Prices include Gold	18 Pin 70	60	55	50	45
2-level Sockets	20 Pin 90	80	75	65	62
Also Available	22 Pin 95	85	80	70	65
	24 Pin 95	85	80	70	65
	26 Pin 125	115	100	95	90
	28 Pin 125	115	100	95	90
	40 Pin 165	145	135	120	110

SOLDER TAIL	1-9	10-24	25-99	100-299	250-999
Low Profile Tin	8 Pin 21	18	16	15	14
Closed Entry Design	14 Pin 19	17	15	13	12
	16 Pin 21	19	17	15	13
	18 Pin 30	28	27	26	25
	20 Pin 35	34	33	32	31
	22 Pin 36	34	30	27	25
	24 Pin 38	36	32	29	28
	28 Pin 45	44	43	40	39
	40 Pin 63	62	61	58	57

Ordering Information:

- Orders under \$25 and CODs, add \$2
- All others shipped Ppd in U.S. via UPS

- For Blue Label (Air) or 1st Class, add \$1
- We accept Visa & MasterCard
- Most orders shipped same day
- Dealer Inquiries Invited

135 E. Chestnut Street, 4A
 Monrovia, California 91016
 Phone (213) 357-5005

AVAILABLE AT SELECTED LOCAL DISTRIBUTORS

geted. For accurate recovery of data, the one-shot's pulse width is set to 3/4 of the bit-cell time. When driven by the recovered square wave, the one-shot will fire on the clock transitions. If another transition occurs while the one-shot is fired, a 1-bit is recovered. If the one-shot times out before the next transition, then a 0-bit has been recovered.

Encoding methods can be characterized by their encoding efficiency ratio. This is the ratio of the total bit-cell to the minimum spacing between flux transitions. Since the maximum density of flux transitions is limited, a higher ratio means more data storage capacity and higher speed. The encoding efficiency ratio of double-frequency encoding is 1/2, which is not very good. Other methods, called "double density" encoding, exhibit ratios as high as 1.0. They are much more difficult to encode and decode, however, and are more susceptible to defects in the magnetic media.

Formats. In both cassettes and floppy disks, the record data is organized into blocks called records. On cassettes, records may be any length and, in fact, are usually entire programs. On floppy disks, however, the records are fixed in size to allow easy addressing and updating of data. A typical record size is 128 bytes, which is large enough to minimize the percentage of "overhead" yet small enough for convenient use.

On a disk, data records are called sectors. Some method of marking off sector boundaries and separating them is necessary if an individual sector is to be updated without disturbing adjacent sectors. The simplest method of doing this is called *hard* sectoring because holes punched into the disk itself determine the sector boundaries by means of a light and photocell arrangement. Another method uses special patterns in the data itself to mark sector boundaries and is, therefore, called *soft* sectoring. Since these special patterns take additional space, the overhead associated with soft sectoring is greater. In fact, a full-size floppy disk using hard sectoring can put 32 sectors on a track, while a soft sector disk can manage only 26—a 23% difference.

Besides a reduction in capacity, the soft sector format is much more difficult to decode. The use of integrated circuits specifically designed to handle soft sectoring, however, effectively masks this complexity from the user. Today, most floppy-disk systems use soft sectoring in spite of the data capacity reduction. ◇

Order Toll Free!
 Except N.Y. Alas. Hawaii

SCA 800-221-0974

FOR ORDERS ONLY!
 Mon. & Thurs.-9 AM-7 PM, Tues., Wed., Fri., Sat.-9 AM-5 PM
 E.S.T.

STEREO HOT-LINE

AKAI Technics

CHECK US OUT!

- ✓ Our prices are the lowest.
- ✓ Discounts on over 60 major brands.
- ✓ Reliability: one of the oldest audio mail-order houses in the U.S.A.
- ✓ Rated #1: by a leading trade publication.
- ✓ Large inventory: we buy in volume getting the best deals from the manufacturers, you get the best deal from us.

GIVE US THE OPPORTUNITY TO BEAT THE BEST DEAL YOU'VE BEEN ABLE TO FIND.

— QUOTES AND INFORMATION —
 (212) 253-8888, 9AM-5PM, MON.-SAT., N.Y. TIME

Write or Call us now for the lowest price quotes and a Free price flyer.

STEREO CORPORATION OF AMERICA
 SR-1629 Flatbush Ave.
 Brooklyn, New York 11210

CIRCLE NO. 60 ON FREE INFORMATION CARD

SAVE!

MONEY • TIME • FREIGHT

QUALITY STEREO EQUIPMENT AT LOWEST PRICES.

YOUR REQUEST FOR QUOTATION RETURNED SAME DAY.

FACTORY SEALED CARTONS—GUARANTEED AND INSURED.

SAVE ON NAME BRANDS LIKE:

PIONEER	SANSUI
KENWOOD	DYNACO
SHURE	SONY
MARANTZ	KOSS

AND MORE THAN 50 OTHERS BUY THE MODERN WAY BY MAIL—FROM

illinois audio

12 East Delaware
 Chicago, Illinois 60611
 312-664-0020

CIRCLE NO. 64 ON FREE INFORMATION CARD



Software Sources

By Leslie Solomon
Technical Director

MBS BASIC. Written for the Fairchild F8 processors, this BASIC occupies 16K including code, work area and text buffer. It features 9-digit precision and a full complement of BASIC statements, functions, operators, variables and has special control characters, commands, and some planned enhancements that include file handling capability. \$175 on Fairbug format paper tape. Further information from Micro Business System, Inc., Box 8255, JFK Station, Boston, Mass. 02114 (Tel: 617-682-1854).

Disk Payroll. Written for the TRS-80, this interactive payroll system has automated file handling and an output for the TRS-80 line printer. It includes quarterly summaries.

\$59.95. Hebbler Software Services, 7142 Elliot Dr., Dallas, TX 75227.

PET BASIC Compleat. This program features 20 lessons on PET BASIC, cursor control, screen editing, and the use of graphic characters. Over 400 screenfulls of information are contained in the two cassettes. The manual is 170 pages. \$39.95 from ARESO, Box 43, Audubon, PA 19407 (Tel: 215-631-9052).

IDSWORD. Written in North Star BASIC (version 6), and DOS (release 4.0), this word processor features: insertion, deletion and block moves of text; global searches; complete text editing; variable speed scrolling; page number and titling (top or bottom); reformatting data for maximum line size; control of merging and justification; processing of non-IDSWORD files; merging of up to 10 files; form letter printing with justification and text insertion from up to 20 mailing list files; and sorting and printing of mailing labels. Basic system is \$125, complete word processor is \$245 (CRT) and \$220 (printer). Add \$50 for form letter, labels and name/address file maintenance and sort modules. CW Applications, 1776 E. Jefferson St., Rockville, MD 20852 (Tel: 301-468-0455).

General Catalog. A number of programs ranging from games to financial packages for just about any computer and disc or

cassette interface is covered in a catalog from Soft-One, 315 Dominion Drive, Newport News, VA 23602.

TRS-80 Cassette. Running in any 4K, Level-II TRS-80, this cassette includes a financial program with amortization, interest, etc., a biorhythm program including a perpetual calendar, a doodle program that uses TRS-80 graphics, a decision-making program, and a Mastermind program. \$12.95. Complete Computer Services, 8188 Heather Drive, Newburgh, IN 47630 (Tel: 812-853-5140).

Speech Vocabularies. An application note describing how to swap, save and restore vocabularies is now available. Written for users of the Model 20 speech recognition systems as used in Apple II and S100 systems, the approach enables recognition of multiples of 32 words, thus providing virtually unlimited vocabulary size. Heuristics, Inc., 900 San Antonio Road, Los Altos, CA 94022 (Tel: 415-948-2542).

Accounting Package. Version 1.0 of the Alpha Accounting software package includes general ledger, inventory control and payroll. Full documentation and test data is included. The package is designed for use with systems using the Alpha AM-100 CPU board. Alpha Micro, 17881 Sky Park North, Irvine, CA 92714 (Tel: 714-957-1404).

THE MICROCOMPUTER MART COMPUTER RETAIL STORES

Advertisement

CALIFORNIA

Omega Microcomputers
Quality Personal-Business Systems
Apple II—Alpha Micro
3535 Torrance Boulevard
Suite 10
Torrance, CA 90503
(213) 370-9456

Rainbow Computing
Complete Apple II Line
1073 White Oak Avenue
Granada Hills, CA 91344
(213) 360-2171

COLORADO

Byte Shop
Complete Apple II Line
3464 Acoma Street
Englewood, CO 80110
(303) 761-6232

FLORIDA

Computer Age, Inc.
Service, Support, Professionalism
At A Very Affordable Price
1308 North Federal Highway
Pompano Beach, FLA 33062
(305) 689-3233

Computer Center Of The Palm Beaches
The Microcomputer Specialists
2827 Exchange Court
West Palm Beach, FLA 33409
(305) 689-3233

GEORGIA

Graham Business Computer
Featuring Full Line Ohio Scientific
5725 Buford Highway
Suite 216
Atlanta, GA 30340
(404) 457-8450

MARYLAND

Comm. Center, Inc.
Exidy Sorcerer
Call Toll Free
Laurel Plaza—Ret 198
Laurel, MD 20810
(800) 638-4486

MICHIGAN

Computer Center
Business Systems/Personal Systems
28251 Ford Road
Garden City, MI 48135
(313) 422-2570

The Computer Mart
We will Not Be Undersold
560 W. 14 Mile Road
Clawson, MI 48017
(313) 288-0040

NEW JERSEY

Computer Mart of New Jersey
The Microcomputer People (R)
501 Route 27
Iselin, NJ 08830
(201) 283-0600

OHIO

Band-Orch, Inc.
Complete Ohio Scientific Line
337 East State Street
Alliance, Ohio 44601
(216) 821-2600

PENNSYLVANIA

Personal Computer Corp.
First in Pennsylvania
Frazer Mall
Lancaster Avenue and Route 352
Frazer, PA 19355
(215) 647-8453

Ripley Computers
Affordable Computers For
Business/Churches/Home/Personal
126 N. Main Street
Souderton, PA 18964
(215) 723-1509

WASHINGTON

P.S.C. - Computer Systems
Business And Personal Software Systems
546 North 6th
Walla Walla, WA 99362
(509) 529-9331

Dealers: For information about how to have your store listed in THE MICROCOMPUTER MART, please contact:
POPULAR ELECTRONICS, One Park Ave., New York, N.Y. 10016 • (212) 725-3568.

TRI-STATE LED DEMONSTRATOR

THE TRI-STATE LED is one of the most interesting optoelectronic components available to the experimenter. The most common version incorporates separate red and green LED chips mounted very close to one another in a clear or milky-white epoxy package. The two chips are connected as shown in Fig. 1 in what is called an inverse parallel configuration. This ensures that one of the two diodes is forward-biased regardless of the polarity of the applied voltage.

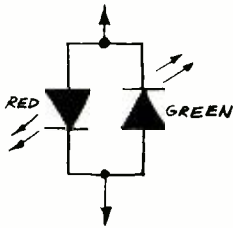


Fig. 1. Schematic symbol for a tri-state LED.

The three states of a tri-state LED usually are defined as red, green and off. Actually, a total of seven optical states is avail-

PROJECT OF THE MONTH

BY FORREST M. MIMS

able: off, steady, or flashing red, green, or yellow. Yellow radiation is obtained by rapidly switching the polarity of the applied voltage. The pulsed red and green radiation from the two chips visually merge. Although the color the eye perceives is not a true yellow, it is distinctly recognizable as being neither red nor green.

The schematic diagram of a circuit that has been adapted from one given in the data sheet of Monsanto's MV5491 tri-state LED is shown in Fig. 2. The circuit incorpo-

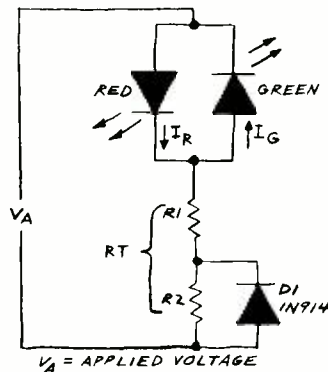


Fig. 2. Circuit used to calculate needed resistances.

rates two series resistors to provide an optimized current to each LED to balance their brightness. The 1N914 diode ($D1$) bypasses $R2$ when the green LED is selected. This compensates for the green LED's higher barrier potential so that the same forward current flows through each diode.

The formulas employed to calculate the values of $R1$ and $R2$ for specific red and green LED forward currents are: $R1 = (V_A - 3.3)/I_G$; $R_T = (V_A - 1.63)/I_R$; $R2 = R_T - R1$; where I_G and I_R are the forward current through the green and red LEDs, respectively, and V_A is the applied voltage. For example, to bias both diodes at 20 mA when V_A is 5 volts, $R1$ and $R2$ should be 102 and 68 ohms, respectively. The MV5491 data sheet includes a table that gives resistance for $R1$ and $R2$ for a range of forward currents.

Incidentally, don't be concerned if the exact resistor values the equations dictate are unavailable. Just try to obtain the closest standard value. If you're not concerned with matching brightnesses, simply insert a single 270-ohm resistor in series with the LED when powering it from a 5-volt supply.

Figure 3 is a simple astable multivibrator that demonstrates six of the seven states of a tri-state LED. You can assemble the entire circuit on a miniature solderless breadboard in several minutes. When the wiper of $R1$ is at the midpoint of its travel, the LED will alternately flash red and green. The effect is visually striking, particularly if you are used to viewing monochromatic (single-color) LEDs.

Rotating the wiper of $R1$ will increase or decrease the red-green flash rate. At one extreme, the red and green flashes will merge into a washed-out orange or yellow color. Both diodes are still flashing, but the flash rate is faster than the flicker response of the eye. (You can hear the flash rate as a series of clicks by connecting the input of a small audio amplifier to ground and through a 0.1-microfarad capacitor to either pin 3 or 6 of the 7400.) At the other extreme, the LED will stop flashing and glow a steady red or green depending on the direction it is connected.

So far, we've accounted for five of the seven states. The sixth state occurs when the circuit is turned off and the LED is extinguished. The seventh state, which this circuit does not provide, is flashing yellow. It can be obtained by gating the pulse train applied to the LED with a low-frequency pulse train at the cost of somewhat increased circuit complexity.

I've seen only a few commercial applications for tri-state LEDs. One is the indicator lamp on the power switch of the Realistic STA-2100 AM/FM stereo receiver. The LED glows red when the switch is pressed.

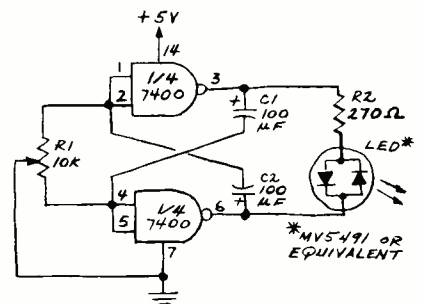
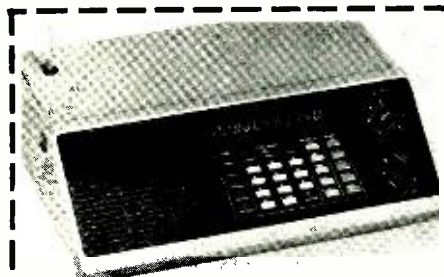


Fig. 3. Tri-state demonstration circuit. After a few seconds, it glows green as the unit begins operation.

Building and experimenting with the simple project in Fig. 3 will give you some ideas about the novel display and indicator possibilities for tri-state LEDs. (Model railroaders will find these devices to be ideally suited for use in block signals.) You can buy tri-state LEDs from some of the companies that advertise in the Electronic Market Place in this magazine. Keep in mind that you can simulate some of the functions of a tri-state LED by connecting a pair of standard red and green LEDs in inverse parallel. ◇



Thousands of Communications Electronics customers OWN A BEARCAT® SCANNER.

But since we've introduced the Bearcat® 250 crystalless 15,600 frequency, 50 channel synthesized scanner, our specifications have been improved:

Sensitivity

0.4 microvolts for 12dB SINAD on VHF bands, UHF band slightly less

Selectivity

Better than -60dB @ ±25 KHz

Audio Output

At least 2.0 Watts rms

Audio Quality

The BC-250 audio is more noise-free and suffers less distortion than comparable models by a margin of 10dB or more.

Image Rejection

The BC-250 rejects image frequencies by at least 8dB better in all bands than comparable models.

This month, we've got a special price on the Bearcat® 250. Now, you can own this fantastic professional monitor for only \$269.00. That's a savings of over \$80.00.

To start Bearcatting, Master Charge and Visa card holders may call and order toll free 800-521-4414. Outside the U.S. and Michigan dial 313-994-4444. To order by mail, send \$269.00 plus \$5.00 for U.S. U.P.S. shipping. Foreign orders invited at slightly higher cost. Mail your orders or requests for a free catalog completely describing all Bearcat® scanners to: **Communications Electronics**, Box 1002, Dept. HF1, Ann Arbor, Michigan 48106 U.S.A. Bearcat® is a registered trademark of Masco Corporation of Indiana. Copyright ©1978 Communications Electronics



ATTENTION ELF OWNERS ANNOUNCING QUEST SUPER BASIC

At last a Full Size Basic for 802 systems. A complete function Basic including two dimensional arrays, string variables, floating point, arithmetic and 32 bit signed integer arithmetic (10 digit accuracy) with I/O routines. Easily adaptable on most 802 systems. Requires 12K RAM minimum for Basic and user programs. Cassette version in stock now for immediate delivery. ROM versions coming soon with exchange privilege allowing credit for cassette version.
Super Basic on Cassette \$40.00

Tiny Basic Source now available \$19.00
S-100 Slot Expansion. Add 3 more S-100 slots to your Super Expansion Board or use as a 4 slot S-100 Mother Board. Board without connectors \$9.95.
Coming Soon: High resolution alpha/numerics with color graphics expandable up to 256 x 192 resolution for less than \$100. Economical version for other popular 802 systems also \$16K Dynamic RAM board expandable to 32K for less than \$150.

RCA Cosmac Super Elf Computer \$106.95

Compare features before you decide to buy any other computer. There is no other computer on the market today that has all the desirable benefits of the Super Elf for so little money. The Super Elf is a small single board computer that does many big things. It is an excellent computer for training and for learning programming with its machine language and yet it is easily expanded with additional memory, Full Basic, ASCII Keyboards, video character generation, etc.

Before you buy another small computer, see if it includes the following features: ROM monitor; State and Mode displays; Single step; Optional address displays; Power Supply; Audio Amplifier and Speaker; Fully socketed for all IC's; Real cost of in warranty repairs, Full documentation.

The Super Elf includes a ROM monitor for program loading, editing and execution with SINGLE STEP for program debugging which is not included in others at the same price. With SINGLE STEP you can see the microprocessor chip operating with the unique Quest address and data bus displays before, during and after executing instructions. Also, CPU mode and instruction cycle are decoded and displayed on 8 LED indicators.

An RCA 1861 video graphics chip allows you to connect to your own TV with an inexpensive video modulator to do graphics and games. There is a speaker system included for writing your own music or using many music programs already written. The speaker amplifier may also be used to drive relays for control purposes.

Super Expansion Board with Cassette Interface \$89.95

This is truly an astounding value! This board has been designed to allow you to decide how you want it optioned. The Super Expansion Board comes with 4K of low power RAM fully addressable anywhere in 64K with built-in memory protect and a cassette interface. Provisions have been made for all other options on the same board and it fits neatly into the hardwood cabinet alongside the Super Elf. The board includes slots for up to 6k of EPROM (2708, 2758 2716 or TI 2716) and is fully socketed. EPROM can be used for the monitor and Tiny Basic or other purposes.

A 1K Super ROM Monitor \$19.95 is available as an on board option in 2708 EPROM which has been preprogrammed with a program loader/editor and error checking multi file cassette reader/write software, (relocatable cassette file) another exclusive from Quest. It includes register save and readout, block move capability and video graphics driver with blinking cursor. Break points can be used with the register save feature to isolate program bugs quickly, then follow with single step. The Super Monitor is written with subroutines allowing users to take advantage of

monitor functions simply by calling them up. Improvements and revisions are easily done with the monitor. If you have the Super Expansion Board and Super Monitor the monitor is up and running at the push of a button.

Other on board options include Parallel Input and Output Ports with full handshake. They allow easy connection of an ASCII keyboard to the input port. RS 232 and 20 mA Current Loop for teletype or other device are on board and if you need more memory there are two S-100 slots for static RAM or video boards. A Godbout 8K RAM board is available for \$135.00. Also a 1K Super Monitor version 2 with video driver for full capability display with Tiny Basic and a video interface board. Parallel I/O Ports \$9.95, RS 232 \$4.50, TTY 20 ma I/F \$1.95, S-100 \$4.50. A 50 pin connector set with ribbon cable is available at \$12.50 for easy connection between the Super Elf and the Super Expansion Board.

The Power Supply Kit for the Super Expansion Board is a 5 amp supply with multiple positive and negative voltages \$29.95. Add \$4.00 for shipping. Prepunched frame \$7.50. Case \$10.00. Add \$1.50 for shipping.

Multi-volt Computer Power Supply

8v 5 amp, ±18v 5 amp, 5v 1.5 amp, -5v 5 amp, 12v 5 amp, -12v option, ±5v, ±12v are regulated. Kit \$29.95. Kit with punched frame \$37.45. Woodgrain case \$10.00.

60 Hz Crystal Time Base Kit \$4.40

Converts digital clocks from AC line frequency to crystal time base. Outstanding accuracy. Kit includes: PC board, IC, crystal, resistors, capacitors and trimmer.

TERMS: \$5.00 min. order U.S. Funds. Calif residents add 6% tax. BankAmericard and Master Charge accepted. Shipping charges will be added on charge cards.

Same day shipment. First line parts only. Factory tested. Guaranteed money back Quality IC's and other components at factory prices

For will call only: (408) 988-1640
2322 Walsh Ave.

INTEGRATED CIRCUITS

7400TTL	LM377T	2.92	CD4015	86
7401N	LM3020	1.35	CD4016	86
7402N	LM320K	5.10	CD4017	91
7403N	LM320K	6.96	CD4018	91
7404N	LM320K	6.96	CD4019	96
7410N	LM320N	15.35	CD4020	1.02
7411N	LM320N	15.35	CD4021	1.02
7420N	LM320N	15.35	CD4022	1.02
7421N	LM320N	15.35	CD4023	1.02
7422N	LM320N	15.35	CD4024	1.02
7423N	LM320N	15.35	CD4025	1.02
7424N	LM320N	15.35	CD4026	1.02
7425N	LM320N	15.35	CD4027	1.02
7426N	LM320N	15.35	CD4028	1.02
7427N	LM320N	15.35	CD4029	1.02
7428N	LM320N	15.35	CD4030	1.02
7429N	LM320N	15.35	CD4031	1.02
7430N	LM320N	15.35	CD4032	1.02
7431N	LM320N	15.35	CD4033	1.02
7432N	LM320N	15.35	CD4034	1.02
7433N	LM320N	15.35	CD4035	1.02
7434N	LM320N	15.35	CD4036	1.02
7435N	LM320N	15.35	CD4037	1.02
7436N	LM320N	15.35	CD4038	1.02
7437N	LM320N	15.35	CD4039	1.02
7438N	LM320N	15.35	CD4040	1.02
7439N	LM320N	15.35	CD4041	1.02
7440N	LM320N	15.35	CD4042	1.02
7441N	LM320N	15.35	CD4043	1.02
7442N	LM320N	15.35	CD4044	1.02
7443N	LM320N	15.35	CD4045	1.02
7444N	LM320N	15.35	CD4046	1.02
7445N	LM320N	15.35	CD4047	1.02
7446N	LM320N	15.35	CD4048	1.02
7447N	LM320N	15.35	CD4049	1.02
7448N	LM320N	15.35	CD4050	1.02
7449N	LM320N	15.35	CD4051	1.02
7450N	LM320N	15.35	CD4052	1.02
7451N	LM320N	15.35	CD4053	1.02
7452N	LM320N	15.35	CD4054	1.02
7453N	LM320N	15.35	CD4055	1.02
7454N	LM320N	15.35	CD4056	1.02
7455N	LM320N	15.35	CD4057	1.02
7456N	LM320N	15.35	CD4058	1.02
7457N	LM320N	15.35	CD4059	1.02
7458N	LM320N	15.35	CD4060	1.02
7459N	LM320N	15.35	CD4061	1.02
7460N	LM320N	15.35	CD4062	1.02
7461N	LM320N	15.35	CD4063	1.02
7462N	LM320N	15.35	CD4064	1.02
7463N	LM320N	15.35	CD4065	1.02
7464N	LM320N	15.35	CD4066	1.02
7465N	LM320N	15.35	CD4067	1.02
7466N	LM320N	15.35	CD4068	1.02
7467N	LM320N	15.35	CD4069	1.02
7468N	LM320N	15.35	CD4070	1.02
7469N	LM320N	15.35	CD4071	1.02
7470N	LM320N	15.35	CD4072	1.02
7471N	LM320N	15.35	CD4073	1.02
7472N	LM320N	15.35	CD4074	1.02
7473N	LM320N	15.35	CD4075	1.02
7474N	LM320N	15.35	CD4076	1.02
7475N	LM320N	15.35	CD4077	1.02
7476N	LM320N	15.35	CD4078	1.02
7477N	LM320N	15.35	CD4079	1.02
7478N	LM320N	15.35	CD4080	1.02
7479N	LM320N	15.35	CD4081	1.02
7480N	LM320N	15.35	CD4082	1.02
7481N	LM320N	15.35	CD4083	1.02
7482N	LM320N	15.35	CD4084	1.02
7483N	LM320N	15.35	CD4085	1.02
7484N	LM320N	15.35	CD4086	1.02
7485N	LM320N	15.35	CD4087	1.02
7486N	LM320N	15.35	CD4088	1.02
7487N	LM320N	15.35	CD4089	1.02
7488N	LM320N	15.35	CD4090	1.02
7489N	LM320N	15.35	CD4091	1.02
7490N	LM320N	15.35	CD4092	1.02
7491N	LM320N	15.35	CD4093	1.02
7492N	LM320N	15.35	CD4094	1.02
7493N	LM320N	15.35	CD4095	1.02
7494N	LM320N	15.35	CD4096	1.02
7495N	LM320N	15.35	CD4097	1.02
7496N	LM320N	15.35	CD4098	1.02
7497N	LM320N	15.35	CD4099	1.02
7498N	LM320N	15.35	CD4100	1.02
7499N	LM320N	15.35	CD4101	1.02
7500N	LM320N	15.35	CD4102	1.02

MOS MEMORY

RAM	2101	3.95	NDS138	8.75
	2102	3.95	NDS137	8.75
	2102A	1.60	2708	10.50
	2102B	1.18	DM8377	2.90
	2102C	1.25	DM8377	2.90
	2102D	1.18	8223	2.90
	2102E	1.18	2716H	29.50
	2102F	1.18	2716 intel	48.00

IC SOCKETS

Solder/Tie Low Profile	8.75
Pin 1 Up Pin 1 Up	5.00
Pin 1 Up Pin 1 Down	5.00
Pin 1 Down Pin 1 Down	5.00
8 Pin	1.95
14 Pin	1.95
18 Pin	2.90
24 Pin	1.95
28 Pin	1.95
32 Pin	2.90
36 Pin	1.95
40 Pin	1.95
44 Pin	2.90
48 Pin	1.95
52 Pin	2.90
56 Pin	1.95
60 Pin	2.90
64 Pin	1.95
68 Pin	2.90
72 Pin	1.95
76 Pin	2.90
80 Pin	1.95
84 Pin	2.90
88 Pin	1.95
92 Pin	2.90
96 Pin	1.95
100 Pin	2.90
104 Pin	1.95
108 Pin	2.90
112 Pin	1.95
116 Pin	2.90
120 Pin	1.95
124 Pin	2.90
128 Pin	1.95
132 Pin	2.90
136 Pin	1.95
140 Pin	2.90
144 Pin	1.95
148 Pin	2.90
152 Pin	1.95
156 Pin	2.90
160 Pin	1.95
164 Pin	2.90
168 Pin	1.95
172 Pin	2.90
176 Pin	1.95
180 Pin	2.90
184 Pin	1.95
188 Pin	2.90
192 Pin	1.95
196 Pin	2.90
200 Pin	1.95

WIRE WRAP LEVEL 3

Pin	12	24	8.00
Pin	12	36	10.00
Pin	12	48	12.00
Pin	12	60	14.00
Pin	12	72	16.00

CLOCKS

MM5314	3.90
MM5315	3.90
MM5316	3.90
MM5317	3.90
MM5318	3.90
MM5319	3.90
MM5320	3.90
MM5321	3.90
MM5322	3.90
MM5323	3.90
MM5324	3.90
MM5325	3.90
MM5326	3.90
MM5327	3.90
MM5328	3.90
MM5329	3.90
MM5330	3.90
MM5331	3.90
MM5332	3.90
MM5333	3.90
MM5334	3.90
MM5335	3.90
MM5336	3.90
MM5337	3.90
MM5338	3.90
MM5339	3.90
MM5340	3.90
MM5341	3.90
MM5342	3.90
MM5343	3.90
MM5344	3.90
MM5345	3.90
MM5346	3.90
MM5347	3.90
MM5348	3.90
MM5349	3.90
MM5350	3.90
MM5351	3.90
MM5352	3.90
MM5353	3.90
MM5354	3.90
MM5355	3.90
MM5356	3.90
MM5357	3.90
MM5358	3.90
MM5359	3.90
MM5360	3.90
MM5361	3.90
MM5362	3.90
MM5363	3.90
MM5364	3.90
MM5365	3.90
MM5366	3.90
MM5367	3.90
MM5368	3.90
MM5369	3.90
MM5370	3.90
MM5371	3.90
MM5372	3.90
MM5373	3.90
MM5374	3.90
MM5375	3.90
MM5376	3.90
MM5377	3.90
MM5378	3.90
MM5379	3.90
MM5380	3.90
MM5381	3.90
MM5382	3.90
MM5383	3.90
MM5384	3.90
MM5385	3.90
MM5386	3.90
MM5387	3.90
MM5388	3.90
MM5389	3.90
MM5390	3.90
MM5391	3.90
MM5392	3.90
MM5393	3.90
MM5394	3.90
MM5395	3.90
MM5396	3.90
MM5397	3.90
MM5398	3.90
MM5399	3.90
MM5400	3.90

CRYSTALS

1 MHz	4.50
2 MHz	4.50
4 MHz	4.50
8 MHz	4.50
16 MHz	4.50
32 MHz	4.50
64 MHz	4.50
128 MHz	4.50
256 MHz	4.50
512 MHz	4.50
1.024 MHz	4.50
2.048 MHz	4.50
4.096 MHz	4.50
8.192 MHz	4.50
16.384 MHz	4.50
32.768 MHz	4.50
65.536 MHz	4.50
131.072 MHz	4.50
262.144 MHz	4.50
524.288 MHz	4.50
1.048.576 MHz	4.50
2.097.152 MHz	4.50
4.194.304 MHz	4.50
8.388.608 MHz	4.50
16.777.216 MHz	4.50
33.554.432 MHz	4.50
67.108.864 MHz	4.50
134.217.728 MHz	4.50
268.435.456 MHz	4.50
536.870.912 MHz	4.50
1.073.741.824 MHz	4.50
2.147.483.648 MHz	4.50
4.294.967.296 MHz	4.50
8.589.934.592 MHz	4.50
17.179.869.184 MHz	4.50
34.359.738.368 MHz	4.50
68.719.476.736 MHz	4.50
137.438.953.472 MHz	4.50
274.877.906.944 MHz	4.50
549.755.813.888 MHz	4.50
1.099.511.627.776 MHz	4.50
2.199.023.255.55	

1¢ SALE



WE'RE BACK WITH OUR WORLD FAMOUS INFLATION FIGHTIN'

'ONE CENTERS'

4V RECHARGEABLE GEL/SEL ENERGY PAK

Portable Power at Poly Pak Prices! Brand New, 4V, 2.6 Amp Hr. Gel Cell storage battery. Units consist of gelled electrolyte enclosed in hermetically sealed plastic for years of dependable service. Compact, only 1 1/2" x 2 3/8" x 1 1/8" in size. Sticks em to produce 4V, 2.6 Amp Hr. or increase the amp rate up and away. Use em for Burglar Alarms, Intrusion Detectors, Ham, Mo. or Solar Storage Applications. Cat. No. 92CU5708

2 for \$12.51

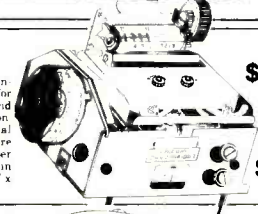
It's Stacked Energy!



PARALLEL ENTRY DIGITAL PRINTER

These unique printers feature precision Swiss construction. 18 key columns are divided into 16 for numerals, and 2 for alphabetical and trig figures, and mathematical functions. Each wheel is 12 position. Utilizes 2 1/2" wide adding machine tape, and dual color ribbon. Printing technique: parallel pressure printing. Multiple copies. Print Rate: 3 lines per second. Operating voltage: 22 to 28 VDC. Comes in original packaging with roll of tape. Size: 6 1/2" x 3 1/8" x 5 3/4". Wt. 7 lbs. Cat. No. 92CU5545

Only \$19.99
2 for \$20.00



40 CHANNEL CB BOARD

Poly Pak buys up factory close-out from Hy-Gain so you gain! Boards have Heatedriven 9 Watt Amp Chip, RF and Mod. Transistors, and Motorola MC series P.L.L. May be used for 10 meter conversion. See continuing series "CB to 10" in 73 magazine! The parts alone make it an offer you can't refuse. Wt. 9 oz. Cat. No. 92CU5554

2 FOR \$12.51



HY-GAIN ONE ARM BANDIT MIKES

Take one hand command of your mobile or base rig with Hy-Gain's One Arm Bandit Mike. ON/OFF VOLUME, SQUELCH, PLAIN/NOISE SELECTOR, SPEAKER, and DIGITAL DISPLAY are all conveniently located where your fingers do the talking. Comes with 6 ft. multi-conductor, color-coded, coiled cable, separate for easy integration into any type of rig. Size: 4 1/2" x 2 1/2" x 1 1/2". Wt. 9 oz. No. 92CU5886

Only \$14.99
2 FOR \$15



'TIE-PIN' CONDENSER MIKE

It's a little knight in sound quality. Metal encased, with omnidirectional frequency response 20-20,000 Hz. Less tie pin or lead clip. 600 ohm impedance. 1.5 VDC. Cat. No. 92CU5730

2 for \$3.95

25 AMP BRIDGE RECTIFIERS

PIV	SALE	2 FOR
25	1.25	1.26
50	1.95	1.96
100	2.25	2.26
200	3.15	3.16
400	3.50	3.51
600	4.25	4.26
800	4.95	4.96

Order No. 2273 & Voltage



1N4000 Epoxy Rectifiers

Cat. No.	Type	Volts	Sale	1c SALE!
2377	1M4001	50	10 for \$ 75	20 for \$ 76
2378	1M4002	100	10 for \$ 5	20 for \$ 6
2379	1M4003	200	10 for \$ 5	20 for \$ 6
2380	1M4004	400	10 for \$ 1.19	20 for \$ 2.29
2381	1M4005	600	10 for \$ 1.39	20 for \$ 1.40
2382	1M4006	800	10 for \$ 1.49	20 for \$ 1.50
2383	1M4007	1000	10 for \$ 1.59	20 for \$ 1.60



ULTRASONIC TRANSDUCER

Perfect for dozens of projects, including remote control devices, alarms, etc. Sends and Receives 1" diameter, 3/4" deep with standard RCA type phone jack. Wt. 2 oz. Cat. No. 92CU5375

2 for \$3.98
\$3.99

FANTASTIC? YOU BET IT IS! LOOK WHAT YOU GET FOR 1¢ MORE!

10-HUMBUCKER CONTROLS W/KNOB, for TV vertical, horiz., etc. (#5882)	1.29	20 for 1.30
50-CAPACITOR SPECIAL, discs, mylars, and more, (#3775)	1.29	100 for 1.30
6-HOBBY VOLTAGE REGULATORS, LM-309, 320, 340's, TO-3, (#3330A)	1.29	12 for 1.30
12-PANEL SWITCHES, assorted slides, rotaries, modulars, etc. (#295)	1.29	24 for 1.30
65-RESISTOR SPECIAL, 1/4 to 1 watt, carbons, carbon-films, etc. (#35896)	1.29	130 for 1.30
65-HALF WATT RESISTORS, asstd, carbons, carbon-films, various values, (#454)	1.29	130 for 1.30
6-1M340T VOLTAGE REGULATORS, 5 to 24 volts, TO-220, (#5897)	1.29	12 for 1.30
60-POLYSTYRENE CAPACITORS, asstd values and voltages, (#1052)	1.29	120 for 1.30
15-THERMISTORS, resistors that change with the temperature, (#2048)	1.29	30 for 1.30
65-1/4 WATT RESISTORS, asstd values, metal film, marked, (#5797)	1.29	130 for 1.30
1-12VDC SPDT RELAY, 180 ohm coil, 25 mA, 1x1 1/2", (#5937)	1.29	2 for 1.30
15-VOLUME CONTROLS, asst. values, audio, and switch too! (#592)	1.29	30 for 1.30
75-PREFORMED DISC CAPS, handy assortment of values, marked, (#1181)	1.29	150 for 1.30
15-AXIAL ELECTROS, assorted values and capacitance, (#5901)	1.29	30 for 1.30
100-GLASS ZENERS, 400mV, untested, better than 50% yield, (#5889)	1.29	200 for 1.30
10-PC TRIMPOTS, screwdriver adjusted, assorted values, (#3346)	1.29	20 for 1.30
5-SLIDE VOLUME CONTROLS, assortment of values, duals, singles, (#2318)	1.29	10 for 1.30
30-4" CABLE TIES, plastic, like Ty-wrap style, (#5217)	1.29	60 for 1.30
5-CRYSTALS, may include: CB, ham, various shapes and sizes, (#5716)	1.29	10 for 1.30
30-POWER RESISTORS, assorted types, includes 2 to 10 watters, (#228)	1.29	60 for 1.30
30-TWO WATT RESISTORS, carbon-films, carbons, 5% tolerance, (#456)	1.29	60 for 1.30
60-TERMINAL STRIPS, asstd solder and screw types, 2 lugs & up, (#334)	1.29	120 for 1.30
1-WATCH GUTS, LED, who knows how good, micro-digital bonanza, (#5115)	1.29	2 for 1.30
10-1000V TA RECTIFIERS, 1N4007, epoxy case, axial leads, (#5926)	1.29	20 for 1.30
5-MULTI-DIGIT LED READOUTS, bubble magnifier, 2 to 6 digits, (#3624)	1.29	10 for 1.30
15-POWER TRANSISTORS, NPN, plastic, TO-220, (#5898)	1.29	30 for 1.30
6-PRECISION TRIM POTS, asstd singles and multi-turns, untested, (#3389)	1.29	12 for 1.30
50-1N4000 RECTIFIERS, epoxy, axial leads, untested, (#2594)	1.29	100 for 1.30
30pc-HEAT SHRINK, Thermo-fit, useful asst. of sizes, shrinks 50%, (#5248)	1.29	60 for 1.30
15-SLIDE SWITCHES, SPST, SPDT, etc. All shapes and sizes, (#5927)	1.29	30 for 1.30
25-DTL's, 100% prime, asstd flip flops, etc., marked, (#3709)	1.29	50 for 1.30
25-TTL's, 100% prime, asstd flip flops, etc., marked, (#5873)	1.29	50 for 1.30
6-HOBBY OPTO COUPLERS, 1500 volt isolation, U-test, (#2629A)	1.29	12 for 1.30
8-TAPE REORDER EARPHONES, for radios, recorders, 8 ohms, (#2946)	1.29	16 for 1.30
6-MICRO-MINI JACKS, in a block, for 2mm sub-mini plugs, (#1437)	1.29	16 for 1.30
5-PL-55 PHONE JACKS, standard bushing, for hams, communications, (#5868)	1.29	10 for 1.30
15-RED DEVIL CAPACITORS, handy assort. of pop. values, axial leads, (#3628)	1.29	30 for 1.30
60-MICAS asst. sizes-n-shapes, incl. "silvers" too! (#3823)	1.29	120 for 1.30
12-TRANSISTOR SOCKETS, for npn and pnp types, (#5944)	1.29	24 for 1.30
12-LED DRIVER IC's, similar to 75491, (#5890)	1.29	24 for 1.30
10-MODULAR SWITCHES, Centralab "push-on" type, up to 8PDT, (#3150)	1.29	20 for 1.30
6-MOTORS MOTORS', small, high speed, asstd sizes, 3-6VDC, (#2551)	1.29	12 for 1.30
2-HEAVY DUTY LINE CORDS, 8 ft., 2 cond., 18 gauge, black insulation, (#5848)	1.29	4 for 1.30
12-LED SOCKETS, "snap-in" mini, for LEDs, and transistors too! (#5745)	1.29	24 for 1.30
15-MV-54 MICRO-MINI LEADS, flat top style, diffused red lens, (#1789)	1.29	30 for 1.30
30-WIRE NUTS, twist-on, for #20-24 gauge wire, (#3724)	1.29	60 for 1.30
2-ALUM. HEAT SINKS, 2 3/4"x1 3/4", for power lams, innumerable uses, (#5338)	1.29	4 for 1.30
1-"MICRO MINI" METER, 1/2" dia. 0-1 basic movement (#5858)	1.29	2 for 1.30
2-DOUBLE-SIDED PCB BOARDS, 3"x12" high quality G-10 glass, (#5694)	1.29	4 for 1.30
60-TUBULAR CAPACITORS, asstd 1000mi to 1mi to 600 WVDC, (#35219)	1.29	120 for 1.30
6-MICRO MINI RED SWITCHES, 1 1/2" long, for alarms, relays, etc., (#1258)	1.29	12 for 1.30
10-TANTALUM ELECTROS, 1/4 watt, axial, hermetically sealed, (#5848)	1.29	20 for 1.30
60-DISC TYPE CAPS, incl. NPO, hi-Q, mylar, ceramics, asstd values, (#437)	1.29	120 for 1.30
60-COILS & CHOKES, asstd RF, OSC, if, parasitic types, (#352497)	1.29	120 for 1.30
10-SWITCHCRAFT PHONO JACKS, hi-Q, chassis mount, telion base, (#5119)	1.29	20 for 1.30
1-TO-3 HEAT SINK, heavy duty aluminum, prepunched for TO-3, (#4083)	1.29	2 for 1.30
75-MOLEX SOCKETS, "on-a-strip", for multiple pin dips, (#1609)	1.29	150 for 1.30
6-PAIRS 9V BATTERY CLIPS, w/red & black color-coded leads, (#2852)	1.29	12 for 1.30
1-UHF TUNER, 3 gang, uhf TV unit, 300 ohm, pos. direct drive, (#2927)	1.29	2 for 1.30
15-HUMBUCKER CONTROLS, assorted values, manufacturers dump, (#3807)	1.29	30 for 1.30
50-SUBMINI TRANSISTORS, slug tuned, shielded, (#5043)	1.29	100 for 1.30
15-"POP" OPTICAL LENSES, plano-convex, 1" dia., plastic, (#5043)	1.29	30 for 1.30
40-ADJUSTABLE FERRITE CORES, center cut for hex adjust, (#5701)	1.29	80 for 1.30

3-1.5V MINI LAMPS, only 3/32" dia., draws 15 mA, w/1" wire leads, (#5693)	1.29	6 for 1.30
30-FT. WIRE-WRAP WIRE, 30 gauge, insulated, continuous length, (#3803)	1.29	60 for 1.30
4-MONO TAP HEADS, may incl: cassette, 8-track, reel to reel too! (#5789)	1.29	8 for 1.30
5-DUAL DIGIT "BUBBLE" READOUTS, HP5082 style, red, dip type, (#5748)	1.29	10 for 1.30
50-METAL & PLASTIC TRANSISTORS, asstd sizes (in 96's)	1.29	100 for 1.30
2-4HP PWR. TRANSISTORS, Motorola type, M13201, NPN, 15W, TO-66, (#2797)	1.29	6 for 1.30
100-GERM. GLASS DIODES, similar to 1N34, axial leads, untested, (#542)	1.29	200 for 1.30
30-1N914 SWITCHING DIODES, silicon, 4n5, glass, untested, (#143)	1.29	60 for 1.30
4-AM/FM VARIABLE COND., 2 bands, "poly-con", 3/4" square, (#2924)	1.29	8 for 1.30
4-MICRO SWITCHES, SPST, NO contacts, plunger style, solder tabs, (#5785)	1.29	8 for 1.30
10-CRYSTAL SOCKETS, 3/16" mt. holes for 1/16" PC leads, (#5527)	1.29	20 for 1.30
10-MULTI-GANG POTS, audio 2 gangs and up, asstd' types and values, (#5326)	1.29	20 for 1.30
10-MAN-3's, 7 segment, w/bubble magnifier, 100% material, (#3842)	1.29	20 for 1.30
40-METAL CAN TRANSISTORS, 100% material, 15W, Amphenol, (#521)	1.29	6 for 1.30
1-LITE SENSITIVE UNIJUNCTION TRANSISTOR, programmable, (#5719)	1.29	2 for 1.30
1-LASCR OPTO COUPLER, type H11C3, mini dip, (#5700)	1.29	2 for 1.30
4-MINI BLOCK READOUTS, 122", red, type FND-10, (#5913)	1.29	8 for 1.30
3-1INE CORDS, 6 ft., 18 gauge, 2 cond. white w/plug, (#3787)	1.29	6 for 1.30
15-SINGLE PIN MICRO RED LEADS, 100% material, 3 volts @ 10 mils, (#5896)	1.29	30 for 1.30
50-FLATTED THRU CAPACITORS, used for hams, RF, UHF circuitry, (#5847)	1.29	100 for 1.30
40-PEDESTAL TRANSISTORS, asstd' untested and hobby, (#2604A)	1.29	80 for 1.30
5-6V INDICATOR LAMPS, w/leads, test lamp manufacturers excess, (#5893)	1.29	80 for 1.30
15-UPRIGHT ELECTROS, 100% asstd' values and voltages, (#5900)	1.29	30 for 1.30
40-SEMI-CON SUPPLIES, zeners, rectifiers, transistors, etc., U-test, (#2226)	1.29	80 for 1.30
100-STABISORS, axial, for regulators & computers, U-test, (#3140)	1.29	200 for 1.30
40-SQUARE PC COILS, uprights, assorted values, for PC applications, (#3188)	1.29	80 for 1.30
50-1 WATT ZENERS, 3.3, 8, 10, 12, 15V, etc., double plug, untested, (#1964)	1.29	100 for 1.30
4-ROCKER SWITCHES, DPDT, solder eyelet terminals, (#3302)	1.29	8 for 1.30
60-1 LONG LEAD DISCS, 100% prime, marked capacitors, (#5899)	1.29	120 for 1.30
6-MINI TRANSISTORS, asstd' outputs, interstage & audio, 1" sq., (#3295)	1.29	12 for 1.30
15-TVA AUDIO SHIELDED CABLE, 2 cond., 15 ft. w/RCA phone plugs, (#4132)	1.29	2 for 1.30
25-DATA ENTRY KEYCAPS, 3/4" sq. #s & functions, asst. colors, (#4013)	1.29	50 for 1.30
2-GE 3W AUDIO AMP, type PA-263 IC chip, mono, (#1522)	1.29	4 for 1.30
1-MERCURY TILT SWITCH, N.C. rated 24VDC @ .05A, w/leads, (#5686)	1.29	2 for 1.30
6-POWER TAB TRIACS, 100% prime, 100V, TO-220, (#5888)	1.29	12 for 1.30
6-POWER TAB SCR's, 100% prime, 100V, TO-220, (#5904)	1.29	12 for 1.30
3-WATCH LCD's, 3-1/2 digit, asst. types, size: 1" x 1-1/2" (approx.), (#5066)	1.29	6 for 1.30
10-TV INTERLOCK JACKS, for TV/power mt. ctr, solder tab terms, (#5519)	1.29	20 for 1.30
4-MOS FET's, 3ND, by Fairchild & RCA, TO-18, some duals, (#1886)	1.29	8 for 1.30
4-PHOTO ELECTRIC DARLINGTON TRANSISTORS, 2N5777, (#3276)	1.29	8 for 1.30
6-AC "UTILITY" OUTLETS, for 1 1/4" mt. ctr, solder lugs, (#3582)	1.29	12 for 1.30
15-N-E 2 LAMPS, neom red, for 110VAC, less resistor, (#1435)	1.29	30 for 1.30
20-1N4148 SWITCHING DIODES, 4n5, 100V @ 10mA, axial 100%, (#3000)	1.29	40 for 1.30
2-4 AMP SILICON BRIDGE RECTIFIER, 200V, block style, (#5928)	1.29	4 for 1.30
4-VARACTOR DIODES, var. tuner capacitance, 20-50 pf., (#5887)	1.29	8 for 1.30
50-PRECISION RESISTORS, 1/2, 1, & 2 watts, 1%, assorted types, (#363)	1.29	100 for 1.30
60-CERAMIC CAPS, asstd' val. & styles, incl. tubulars, NPO's, etc., (#5901)	1.29	120 for 1.30
25-PLASTIC SCR's, incl. 200V, untested, high yield, TO-92, (#3192)	1.29	50 for 1.30
35-MOLDED CAPACITORS, tubular, asstd' volt. to 1 mf. axial leads, (#48642)	1.29	70 for 1.30
100-MICRO ZENER & RECT. KIT, asstd' voltages, only 1/8" sq. U-test, (#1251)	1.29	200 for 1.30
1-1INE CORD, 8 ft., 2 cond. 16 gauge, vinyl molded plug & grommet, (#3661)	1.29	2 for 1.30
6-SPDT MICRO SLIDE SWITCH, only 3/7" cube, for PC mount, (#3429)	1.29	12 for 1.30
10-PR- RCA PLUGS & JACKS, for audio, speakers, etc., (#402)	1.29	20 for 1.30
27-2N3055 HUBBY TRANSISTORS, 100%, TO-3, (#3771)	1.29	14 for 1.30
20-ZENERS, 1 watt 9.1 volts axial leads 100%, (#5370A)	1.29	40 for 1.30
40-IN4148, 4 NANO, SWITCHING DIODES, axial leads untested (#5923)	1.29	80 for 1.30
2-RELAYS, BARCOCK BYDC, SPST, plastic case, (#5807)	1.29	4 for 1.30
1-25 AMP BRIDGE RECTIFIER, 50 volts, 100% (#5948)	1.29	2 for 1.30
2-QUADRACS, 10 amp 200 PRV, TO-220 100%, (#5915)	1.29	4 for 1.30
15-PNP SWITCHING TRANSISTORS, 2N404, 1305, etc. TO-5 (#5911)	1.29	30 for 1.30
60-MINI RESISTORS, 30-1/2W, 30-1/4 watt, axial, color coded, (#5922)	1.29	120 for 1.30
12-SCRS-TRIAC-QUADRACS, asst. volts. TO-220 case (#2087)	1.29	24 for 1.30

"SKINNY-TRIMS" POTENTIOMETERS

3/8" square, single-turn style, 50% tolerance, 20-turn adjust, 20% tolerance, 50-turn adjust. Perm. construction. 1/2" Watt ratings, cat. no. and value type. ORDER BY CAT. NO. AND VALUE

6 for \$2.49

SINGLE-TURN FLAT
10 100 1K 5K 25K 500K
20 100 2K 10K 50K 500K
50 500 2.5K 20K 100K 1Meg

12 for \$2.50

Cat. No. 92CU366

HY GAIN LED CLOCK KIT

Panel or case design • 3 PC set

Kit consists of a 3 pc set: transformer, function switches on a board, and a National MA1012 12A digital clock module with all parts and IC chip mounted on a 1 1/2" x 3" x 1 1/2" board. The PCB is filtered, mounted in a bakelite frame 3 3/4" x 3 1/8" x 1 1/2" with 2 holes for easy panel mounting. 12" on center.

\$12.50
2 for \$12.51

Cat. No. 92CU5643

POLY PAKS®

ADD-ON MAY BE PHONED

P.O. BOX 942-E9
50 LYNNFIELD, MA
01940

Terms: Add Postage. Rated: Net 30
Phone: (617) 245-3828
Retail: 16 1/8 Dell Carmine St.
MINIMUM ORDER \$3.00
50 Wakefield, MA

When ordering, always use catalog number, type no., the name of the magazine you are ordering from and the month

HOW TO ORDER

50 ps RISETIME GENERATOR

Model TD-50PA and Model P5A (250 ps risetime) are intended for precision measurement and testing of high-speed circuit and systems and for TDR applications. They also make ideal drive amplifiers, because they exhibit low transient aberration and excellent pulse flatness. The TD-50PA has a pretrigger (85 ns) and a normal trigger output. Both units come with their own power supply so they can be used with any oscilloscope system. The TD-50PA is priced at \$449, the P5A at \$149. Colby Instruments, Inc., P.O. Box 84379, VA Branch (B), Los Angeles, CA 90073. (213) 476-6139.



CIRCLE NO. 12 ON FREE INFORMATION CARD

NOW! For the first time . . . a clear, concise, understandable book on the Earth's most promising energy source.

Solar Electricity

Special Introductory Price!
\$5.95 Ppd.

140 EASY-TO-READ FACT FILLED PAGES

Loaded with charts, graphs, pictures of actual solar installations—by World's Foremost Authority SOLAREX

Most books and articles on Solar Energy are either jam packed with mind-boggling technical jargon, or they're so basic you can't find what you really want to know.

Here for the first time—is a definitive study of all the real (not blue sky) applications of solar, written by the world's leading experts—but written in everyday language so you can understand and put to work the real, significant benefits of Solar electricity in scores of practical ways, both large and small. Must reading for everyone from the casual enthusiast right up to the trained solar professional.

Nine Clear, Concise Chapters

Covers everything from a glossary of solar electric terms, how to use cells and practical solar electric generators, to the rapidly exploding variety of industrial,

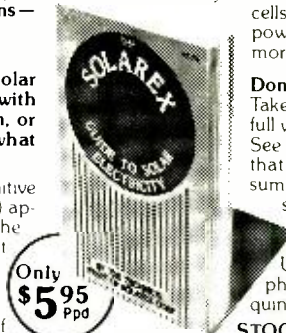
educational, consumer, and military applications. It also includes solar electric projects, commercially available accessories the use of solar cells as light sensors rather than as power sources, and much, much more.

Don't take our word for it!

Take your time. In fact—take two full weeks. Order the book. Read it. See if you don't completely agree that this is the best Solar electric summary you've ever read. If not—simply return the book and we'll refund your money by return mail.

Use handy coupon below or phone 301-948-0202. Dealers inquiries invited.

STOCK NO. 37005D . . . \$5.95 Ppd.



Only \$5.95 Ppd

COMPLETE AND ORDER TODAY

SOLAREX CORP. CPD Dept. 100D, 1345 Piccard Drive, Rockville, MD 20850

Please send me _____ copy(ies) of "Guide to Solar Electricity" for \$5.95 each \$ _____
Shipping & Handling _____ 50¢
TOTAL (Md. resident please add 5%) _____

Enclosed is _____ check _____ M.O. in amount of \$ _____

Name _____

Address _____

City _____ State _____ Zip _____

CIRCLE NO. 56 ON FREE INFORMATION CARD

TOWNE DUMPE-VISIT OUR NEWEST STORE@WOOLCO PLAZA MANCHESTER, N.H.

SAVE UP TO 90% ON SURPLUS BARGAINS!

MOCH. CB Chassis - Hi Gain - Not Complete
ASO251 \$9.88
ASO252 \$12.88

WALL MOUNTS - Good for B & W color T.V.'s, projection and C.C. T.V.'s, monitors, cameras, etc. 2 types avail.: chrome plated and brown painted units. Use in motels, labs, hosp., classrooms, etc. Chrome plated takes 17" col. T.V. Size: 20" x 18" x 15". Cost over \$30 to make. QTY LTD 9W0329/15 lbs. \$13.88 3/\$39.88 Brn Painted takes 18" col. T.V. Size: 22" x 22" x 15" QTY LTD 9W0330/15 lbs. \$12.88 3/\$35.88 Both Adjustable thru approx. 30° horiz.

COMPACT 3 WAY SPEAKER SYSTEMS KIT - Walnut Vinyl clad Speaker system kit contains all components to build 2 complete compact 3 Way er systems. Contains 8" Pass. Rad. w/rear firing, 6" W. Range 4" phenolic ring tweeter, freq. resp. 35 Hz. to 20K Hz. power cap. 30 watts RMS. U must add sm components to cabinets & cut hole in rear of cab. for 8" P/R woofer, w/black foam grills & inst Size: 16Hx10Wx6 1/2 D Sh.Wt. 43 Lbs. 9310287 \$59.88/pr 3 pr. for \$169.88 9310287 \$169.88/2pr

COMPUTER SURPLUS

COMPUTER STUFF:
*1/O Printer(Daisy W.)9320247 \$168.88
*9" Vid. Mon.(Conrac)You repair & save Data supplied 913B0154 \$38.88
*33 RO TTY 9320085 \$348.88
*MD 70 Singer Pr. 932088 \$248.88
*5" Muffin fan 8T0532 \$8.88
*ASCII Keyboard cons. 8W0584 \$68.88
*Comp. I/O Term. 6NB60336 \$39.88
*Viatron Stuff (Get FREE Catalog)
*IBM NOVA Terminals \$78.88 & up
*TTY Stuff \$28.88 & up
*Cassette recorders \$48.88 & up
*Card cages \$5.00 & up
*Dual 5" Disp. Mon. 7NB0252 \$29.88

Send orders to
B&F ENTERPRISES
Dept P 9
119 Foster Street
Peabody, MA 01960
(617) 531-5774

COMPACT 2 WAY SPEAKER SYSTEMS KIT - Contains Walnut Vinyl Clad Cab. - 6" full range spkr w/40 watts (RMS) cap., free air res p. 30 Hz., freq. resp. 40 Hz. to 13K Hz., 4" phenolic ring tweeter, free air res., 1700 Hz., freq. resp. 1.5K Hz. to 20K Hz., 2.6" (W'R'), 2.4" Tweeters, 2-Grills you cut to size, 2-P-Button Term. Acstc Damp'g, wrs & Velcro Fastnrs, Hrdwre, Clk'g Mat'l, etc., with instructions Reg. Price \$110.00/pr. SAVE: \$70.00 Size: 16Hx10Wx6 1/2 D SO COMPACT! Sh. Wt. 38 Lbs. 9310286 \$39.88/pr 3 pr. for \$113.88 9310286 \$113.88/3pr

ALARM STUFF New PKG Stuff
*Full-Sonic Mot. Det. 8D30336 \$49.50
*Touch Switch Al 8M10475 \$6.88
*Touch Switch Al/Horn 8M10474 \$7.88
*Al. Wireless Xmitter 8S20110 \$14.88
*Al. Wireless Rec. 8S20111 \$14.88
*6" Bell Rec. 9S20198 \$12.88
*1 1/2" Light Sen. Sw. 7C70281 \$4.88
*Patio Door Al. 8S20251 \$1.50
*Buzzers 3.6, 12, 24 VDC \$1.25
*Door/Window Grd. 8M110512 \$2.88
*CB Alarm RBK30263 \$4.38
*Elec. Bike Al. 7S70456 \$7.50

BITS & PIECES
*Latching Sw. 15A 8F20204 \$2.88
*Al Bd. Latch 8K30267 \$2.88
*Key Sw. (SPST) 9D0157 \$4.88
*Key Sw. (SP3T) R7C70103 \$1.25
*Elec. Bike Al. 7S70456 \$7.50

Use Your BA-MC or AE for telephone orders. No C.O.D.'s please.
Please add POSTAGE - 1 Pp. on Prev. Post.
VISIT OUR CATALOG SHOWROOM 119 FOSTER ST. PEABODY

CIRCLE NO. 10 ON FREE INFORMATION CARD

Exclusive Sheldahl FLEXSWITCH® kits

With scissors, modify the .030 thick, non-tactile panel into water/dust resistant switching module. Kit includes design guidelines, instructions, Sheldahl membrane switching panel, flexcircuit connector, press-on nomenclature and RFQ checklist. Production quantities cost less. Pressure sensitive back.

9 key kit (1x9)
\$9.00

16 key kit (4x4)
\$10.00

Please send me _____ 16 key kit(s) short to ground at \$10.00 each crosspoint
_____ 9 key kit(s) short to ground at \$9.00 each. crosspoint

I enclose a check or money order for my FLEXSWITCH kit order

Name _____ Title _____

Company _____

Address _____

City _____ State _____ Zip _____



Sheldahl
Mail to:
Sheldahl Electrical
Products Division
P.O. Box 170, Northfield, MN 55057

7400 TTL

SN7400N	15	SN74700	29	SN74150N	89
SN7401N	18	SN74710	35	SN74151N	89
SN7402N	18	SN74720	35	SN74152N	89
SN7403N	18	SN74730	35	SN74153N	89
SN7404N	18	SN74740	35	SN74154N	89
SN7405N	20	SN74750	35	SN74155N	89
SN7406N	29	SN74760	35	SN74156N	89
SN7407N	29	SN74770	35	SN74157N	89
SN7408N	20	SN74780	50	SN74158N	89
SN7409N	20	SN74790	50	SN74159N	89
SN7410N	18	SN74800	50	SN74160N	125
SN7411N	25	SN74810	99	SN74161N	125
SN7412N	25	SN74820	99	SN74162N	125
SN7413N	40	SN74830	99	SN74163N	125
SN7414N	40	SN74840	99	SN74164N	125
SN7415N	25	SN74850	99	SN74165N	125
SN7416N	25	SN74860	99	SN74166N	125
SN7417N	25	SN74870	99	SN74167N	125
SN7418N	20	SN74880	99	SN74168N	125
SN7419N	20	SN74890	99	SN74169N	125
SN7420N	20	SN74900	99	SN74170N	125
SN7421N	20	SN74910	99	SN74171N	125
SN7422N	20	SN74920	99	SN74172N	125
SN7423N	20	SN74930	99	SN74173N	125
SN7424N	20	SN74940	99	SN74174N	125
SN7425N	20	SN74950	99	SN74175N	125
SN7426N	20	SN74960	99	SN74176N	125
SN7427N	20	SN74970	99	SN74177N	125
SN7428N	20	SN74980	99	SN74178N	125
SN7429N	20	SN74990	99	SN74179N	125
SN7430N	20	SN75000	99	SN74180N	125
SN7431N	25	SN74310	35	SN74181N	125
SN7432N	25	SN74320	35	SN74182N	125
SN7433N	25	SN74330	35	SN74183N	125
SN7434N	25	SN74340	35	SN74184N	125
SN7435N	25	SN74350	35	SN74185N	125
SN7436N	25	SN74360	35	SN74186N	125
SN7437N	25	SN74370	35	SN74187N	125
SN7438N	25	SN74380	35	SN74188N	125
SN7439N	25	SN74390	35	SN74189N	125
SN7440N	25	SN74400	35	SN74190N	125
SN7441N	25	SN74410	35	SN74191N	125
SN7442N	25	SN74420	35	SN74192N	125
SN7443N	25	SN74430	35	SN74193N	125
SN7444N	25	SN74440	35	SN74194N	125
SN7445N	25	SN74450	35	SN74195N	125
SN7446N	25	SN74460	35	SN74196N	125
SN7447N	25	SN74470	35	SN74197N	125
SN7448N	25	SN74480	35	SN74198N	125
SN7449N	25	SN74490	35	SN74199N	125
SN7450N	25	SN74500	35	SN74200N	125
SN7451N	25	SN74510	35	SN74201N	125
SN7452N	25	SN74520	35	SN74202N	125
SN7453N	25	SN74530	35	SN74203N	125
SN7454N	25	SN74540	35	SN74204N	125
SN7455N	25	SN74550	35	SN74205N	125
SN7456N	25	SN74560	35	SN74206N	125
SN7457N	25	SN74570	35	SN74207N	125
SN7458N	25	SN74580	35	SN74208N	125
SN7459N	25	SN74590	35	SN74209N	125
SN7460N	25	SN74600	35	SN74210N	125

EXCITING NEW KITS

J600 HEXADECIMAL ENCODER KIT

FEATURES:

- Full 8 bit latched output for micro-processor use
- 3 User-Define keys with one being bi-stable operation
- Debounce circuit provided for all 19 keys
- LED readout to verify entries
- Easy interfacing with standard 16 pin IC connector
- Only +5VDC required for operations

FULL 8 BIT LATCHED OUTPUT—IN KEYBOARD

The J600 Encoder keypad provides two separate hexadecimal digits produced from sequential key entries to allow direct programming for 8 bit microprocessor or 8 bit memory circuits. Three (3) additional keys are provided for user operations with one having a bi-stable output available. The outputs are latched and monitored with LED readouts. Also included is a key entry switch.

J600\$39.95

Hexadecimal Keypad only\$10.95

JE300\$39.95

Digital Thermometer Kit

FEATURES:

- Dual sensors—switching control for indoor/outdoor or dual monitoring
- Continuous LED 2 1/2" digit display
- Range: -40°F to 199°F / -40°C to 100°C
- Accuracy: ±1% nominal
- Set for Fahrenheit or Celsius reading
- Sim. w/air case. AC wall adapter incl.
- Size: 3-1/4" H x 6-5/8" W x 1-3/8" D

DISCRETE LEADS

.200" dia.

XC566A	red	5/51	XC209G	green	5/51
XC566B	green	4/51	XC209G	yellow	4/51
XC566Y	yellow	4/51	XC209Y	yellow	4/51
XC566C	clear	4/51			

.200" dia.

XC22R	red	5/51	XC526R	red	5/51
XC22G	green	4/51	XC526G	green	4/51
XC22Y	yellow	4/51	XC526Y	yellow	4/51
			XC526C	clear	4/51

.170" dia.

MV10B clear 4/51

.088" dia.

MV50 6/51

INFRA-RED LED

1/4"x1/4"x1/16" flat 5/51

TYPE POLARITY HT PRICE

MAN 1	Common Anode red	270	2.95
MAN 2	Common Anode green	300	4.95
MAN 3	Common Cathode red	125	25
MAN 4	Common Cathode green	167	195
MAN 7G	Common Anode-green	300	1.25
MAN 7Y	Common Anode-yellow	300	99
MAN 7B	Common Anode-blue	300	1.25
MAN 74	Common Cathode-red	300	1.25
MAN 82	Common Anode-yellow	300	99
MAN 84	Common Cathode-yellow	300	99
MAN 86A	Common Cathode-orange	300	99
MAN 3630	Common Anode orange	1	300
MAN 3640	Common Cathode orange	300	99
MAN 4610	Common Anode-orange	300	99
MAN 4640	Common Cathode-orange	400	99
MAN 4710	Common Anode-red	400	99
MAN 4730	Common Anode-red	400	99
MAN 4740	Common Cathode-red	400	99
MAN 4810	Common Anode-yellow	400	99
MAN 4840	Common Cathode-yellow	400	99
MAN 6610	Common Anode-orange D	550	99
MAN 6630	Common Anode-orange	1	560
MAN 6640	Common Cathode orange D	560	99
MAN 6650	Common Cathode orange	1	560
MAN 6660	Common Anode-orange	560	99
MAN 6710	Common Anode-red-D	560	99

JE300\$39.95

DISCRETE LEADS

TIMEX T1001 LIQUID CRYSTAL DISPLAY CLASS II

FIELD EFFECT

4 DIGIT - 5 CHARACTERS

THREE ENDOCTORS

2.00" x 1.20" PACKAGE

INCLUDES CONNECTOR

T1001-Transmissive \$7.95

T1001A-Reflective 8.25

TELEPHONE/KEYBOARD CHIPS

AY-5-9100	Push Button Telephone Dialer	\$14.95
AY-5-9200	Repetitory Dialer	14.95
AY-5-9300	CMOS Clock Generator	4.95
AY-5-9500	Keyboard Encoder (88 keys)	14.95
AY-5-9600	Keyboard Encoder (16 keys)	7.95
AY-5-9700	Keyboard Encoder (16 keys)	7.95

ICM CHIPS

ICM7045	CMOS Precision Timer	24.95
ICM7207	CMOS L2238 Stopwatch/Timer	19.95
ICM7207	Oscillator Controller	17.95
ICM7208	Seven Decade Counter	9.50
ICM7209	Clock Generator	6.95

NMOS READ ONLY MEMORIES

MCM6571	128 X 9 X 7 ASCII Symbal with Greek	13.50
MCM6574	128 X 9 X 7 Math Symbal & Pictures	13.50
MCM6575	128 X 9 X 7 Alphabetic Character	13.50

MISCELLANEOUS

TL7042CN	Quad Low Noise Bi-Fet Op Amp	2.49
TL4942CN	Switching Regulator	4.49
TL4962CN	Simple Switching Regulator	1.75
11C90	Divide 10/11 Prescaler	1.95
95H90	Hi-Speed Divide 10/11 Prescaler	1.95
AN33	Photo-Darlington Op/Op Amplifier	3.95
MM5024D	Top Output Freq. Generator	17.95
DM7630G	DS27 16-Bit CMOS clock divider, logic chip	10.50
TL3038	27° read non prep. w/driver, logic chip	3.75
MM5320	TV Camera Sync. Generator	14.95
MM5330	4 1/2 Digit DPM Logic Block (1Special)	3.99
LD110/111	3 1/2 Digit A/D Converter Set	25.00/set

LITRONIX ISO-LIT 1

Photo Transistor Opto-Isolator
(Same as MCT 2 or AN25)

2/99¢

SN 76477 SOUND GENERATOR
Generates Complex Sounds
Low Power Programmable

3.95 each

TV GAME CHIP AND CRYSTAL

AY-8-8500-1 and 2 01 MHz Crystal (Chip & Crystal)
Includes score display, 6 games and select angles. etc

7.95/set

EXAR

XR205	\$8.40	XR2242CP	1.50
XR210	4.40	XR2264	4.25
XR215	4.40	XR2556	3.20
XR320	1.55	JE2206KA	14.95
XR325	1.55	XR2206	19.95
XR555	1.95	XR1800	3.20
XR555C	1.95	XR1800	3.20
XR567CP	99	XR2206	4.40
XR570CT	1.25	XR2206	3.85
XR1810P	1.30	XR2206	5.20
XR1468CN	3.85	XR2211	5.75
XR1489	1.39	XR2212	4.35
		XR2240	3.45
		XR4741	1.47

DIODES

TYPE	VOLTS	PRICE	TYPE	VOLTS	PRICE
1N745	3.3	400m	1N4004	50	12/10 AMP
1N751	5.1	400m	1N4005	60	12/10 AMP
1N752	5.6	400m	1N4006	80	12/10 AMP
1N753	6.7	400m	1N4007	100	12/10 AMP
1N754	6.8	400m	1N4008	150	200m
1N757	9.0	400m	1N4148	75	10m
1N759	12.0	400m	1N4154	35	10m
1N589	8.2	400m	1N4305	75	25m
1N585	15.0	400m	1N4306	100	25m
1N5232	5.6	500m	2N4735	6.2	1w
1N5234	6.2	500m	2N4736	6.2	1w
1N5235	6.8	500m	2N4738	8.2	1w
1N5236	7.5	500m	2N4739	8.2	1w
1N5242	12	500m	2N4742	15	1w
1N5245	15	500m	2N1813	50	PIV 35 AMP
1N4625	25	40m	1N1814	100	PIV 35 AMP
1N4638	150	7m	1N1815	150	PIV 35 AMP
1N4642	5.1	100m	1N1816	200	PIV 35 AMP
1N4001	50	PIV 1 AMP	1N1818	400	PIV 35 AMP

SCR AND FW BRIDGE RECTIFIERS

C36D	15A @ 400V	SCA2N1849H	\$1.95
C38A	35A @ 600V	SC40	1.95
C38B	1.6A @ 300V	SC40	1.95
MDA 980-1	12A @ 50V	FW BRIDGE REC	1.80
MDA 980-3	12A @ 200V	FW BRIDGE REC	1.95

TRANSISTORS

C106A1	50	2N3055	89	2N3930	4/10
C106A2	50	2N3055	89	2N3930	4/10
C106A3	5/10	2N3055	1	2N3936	28/40
C106A4	6/10	2N3932	5/10	2N4013	3/10
C106A5	6/10	2N3938	5/10	2N4123	6/10
C106A6	1/75	2N3967	3/10	2N4249	4/10
C106A7	4/210	2N3968	4/10	2N4250	4/10
C106A8	1/75	2N3969	1/40	2N4251	4/10
C106A9	4/10	2N3970	5/10	2N4252	4/10
C106A10	2/10	2N3972A	5/10	2N4262	4/10
C106A11	4/10	2N3974	5/10	2N4263	4/10
C106A12	5/10	2N3975	5/10	2N4264	4/10
C106A13	5/10	2N3976	5/10	2N4265	4/10
C106A14	5/10	2N3977	5/10	2N4266	4/10
C106A15	5/10	2N3978	5/10	2N4267	4/10
C106A16	5/10	2N3979	5/10	2N4268	4/10
C106A17	5/10	2N3980	5/10	2N4269	4/10
C106A18	5/10	2N3981	5/10	2N4270	4/10
C106A19	5/10	2N3982	5/10	2N4271	4/10
C106A20	5/10	2N3983	5/10	2N4272	4/10

100 VOLT MYLAR FILM CAPACITORS

0022mf	12	10	07	022mf	13	11	08
0033mf	12	10	07	033mf	13	11	08
0047mf	12	10	07	047mf	27	23	17
0068mf	12	10	07	068mf	33	27	22

+20% DIPPED TANTALUM (SOLID) CAPACITORS

1/35V	17	15	05	26	21
15/35V	28	23	17	2.25V	31
22/35V	28	23	17	3.3 2.5V	31
33/35V	28	23	17	4.7 2.5V	31
47/35V	28	23	17	6.8 2.5V	36
68/35V	28	23	17	10 2.5V	36
100/35V	28	23	17	15 2.5V	40

MINIATURE ALUMINUM ELECTROLYTIC CAPACITORS

Radial Lead	Radial Lead						
1/0.50V	15	13	10	47.5V	15	13	10
1/0.50V	16	14	11	47.5V	16	14	11
1/0.50V	14	12	9	100V	15	13	10

DIODES/ZENERS			
QTY.			
1N914	100v	10mA	.05
1N4005	600v	1A	.08
1N4007	1000v	1A	.15
1N4148	75v	10mA	.05
1N4733	5.1v	1 W Zener	.25
1N4749	24v	1W	.25
1N753A	6.2v	500 mW Zener	.25
1N758A	10v	"	.25
1N759A	12v	"	.25
1N5243	13v	"	.25
1N5244B	14v	"	.25
1N5245B	15v	"	.25
1N5349	12v	3W	.25

MICRO's, RAMS, CPU's, E-PROMS	
QTY.	
KT13	2.50
8T23	2.50
8T24	3.00
8T97	1.75
74S188	3.00
1488	1.25
1489	1.25
1702A	4.50
AM 9050	4.00
ICM 7207	6.95
ICM 7208	13.95
MPS 6520	10.00
MM 5314	4.00
MM 5316	4.50
MM 5387	3.50
MM 5369	2.95
TR 1602B	3.95
UPD 414	4.95
Z 80 A	22.50
Z 80	17.50
Z 80 P10	10.50
2102	1.45
2102L	1.75
2107B-4	4.95
2114	9.50
2513	6.25
2708	11.50
2716 D.S.	34.00
2716 (5v)	69.00
2758 (5v)	26.95
3242	10.50
4116	11.50
6800	13.95
6850	7.95
8080	7.50
8085	22.50
8212	2.75
8214	4.95
8216	3.50
8224	4.25
8228	6.00
8251	7.50
8253	18.50
8255	8.50
TMS 4044	9.95

SOCKETS/BRIDGES			
QTY.			
8-pin	pcb	.16 ww	.35
14-pin	pcb	.20 ww	.40
16-pin	pcb	.25 ww	.45
18-pin	pcb	.30 ww	.95
20-pin	pcb	.35 ww	1.05
22-pin	pcb	.40 ww	1.15
24-pin	pcb	.45 ww	1.25
28-pin	pcb	.50 ww	1.35
40-pin	pcb	.55 ww	1.45
Molex pins	.01	To-3 Sockets	.35
2 Amp Bridge		100-prv	.95
25 Amp Bridge		200-prv	1.50

TRANSISTORS, LEDS, etc.			
QTY.			
2N2222M	(2N2222 Plastic .10)		.15
2N2222A			.19
2N2907A	PNP		.19
2N3906	PNP (Plastic)		.19
2N3904	NPN (Plastic)		.19
2N3054	NPN		.55
2N3055	NPN 15A 60v		.60
T1P125	PNP Darlington		1.95
LED Green,	Red, Clear, Yellow		.19
D.L.747	7 seg 5/8" High com-anode		1.95
MAN72	7 seg com-anode (Red)		1.25
MAN3610	7 seg com-anode (Orange)		1.25
MAN82A	7 seg com-anode (Yellow)		1.25
MAN74	7 seg com-cathode (Red)		1.50
FND359	7 seg com-cathode (Red)		1.25

9000 SERIES			
QTY.		QTY.	
9301	.85	9322	.65
9309	.50	9601	.30
		9602	.45

C MOS					
QTY.		QTY.		QTY.	
4000	.15	4017	.75	4034	2.45
4001	.20	4018	.75	4035	.75
4002	.25	4019	.35	4037	1.80
4004	3.95	4020	.85	4040	.75
4006	.95	4021	.75	4041	.69
4007	.25	4022	.75	4042	.65
4008	.75	4023	.25	4043	.50
4009	.35	4024	.75	4044	.65
4010	.35	4025	.25	4046	1.25
4011	.30	4026	1.95	4047	2.50
4012	.25	4027	.35	4048	1.25
4013	.40	4028	.75	4049	.65
4014	.75	4029	1.15	4050	.45
4015	.75	4030	.30	4052	.75
4016	.35	4033	1.50	4053	.95
				4066	.75
				4069/74C04	.45
				4071	.25
				4081	.30
				4082	.30
				4507	.95
				4511	.95
				4512	1.50
				4515	2.95
				4519	.85
				4522	1.10
				4526	.95
				4528	1.10
				4529	.95
				MC14409	14.50
				MC14419	4.85
				74C151	2.50

- T T L -							
QTY.		QTY.		QTY.		QTY.	
7400	.20	7492	.45	74H20	.25	74LS76	.70
7401	.20	7493	.35	74H21	.25	74LS86	.95
7402	.20	7494	.75	74H22	.40	74LS90	.85
7403	.20	7495	.60	74H30	.30	74LS93	.85
7404	.20	7496	.80	74H40	.35	74LS96	2.00
7405	.35	74100	1.15	74H50	.30	74LS107	.90
7406	.25	74107	.35	74H51	.30	74LS109	1.50
7407	.55	74121	.35	74H52	.20	74LS123	1.95
7408	.20	74122	.55	74H53	.25	74LS138	2.00
7409	.25	74123	.55	74H55	.25	74LS151	.95
7410	.20	74125	.45	74H72	.35	74LS153	1.15
7411	.25	74126	.45	74H74	.35	74LS157	1.15
7412	.25	74132	.75	74H101	.95	74LS160	1.15
7413	.45	74141	.90	74H103	.55	74LS164	2.90
7414	.75	74150	.85	74H106	1.15	74LS193	2.00
7416	.25	74151	.95	74100	.30	74LS195	1.15
7417	.40	74153	.95	74102	.30	74LS244	2.90
7420	.25	74154	1.15	74103	.35	74LS259	1.90
7426	.25	74156	.70	74104	.40	74LS298	1.50
7427	.25	74157	.65	74110	.30	74LS367	1.95
7430	.20	74161/9316	.75	74120	.45	74LS368	1.25
7432	.30	74163	.85	74130	.55	74LS373	2.50
7437	.20	74164	.75	74147	1.95	74S00	.45
7438	.30	74165	1.10	74L51	.65	74S02	.45
7440	.20	74166	1.75	74L55	.85	74S03	.35
7441	1.15	74175	.90	74L72	.65	74S04	.35
7442	.55	74176	.95	74L73	.70	74S05	.45
7443	.45	74177	1.10	74L74	.75	74S08	.45
7444	.45	74180	.95	74L75	1.05	74S10	.45
7445	.75	74181	2.25	74L85	2.00	74S11	.45
7446	.70	74182	.75	74L93	.75	74S20	.35
7447	.70	74190	1.25	74L123	1.95	74S22	.55
7448	.50	74191	1.25	74LS00	.40	74S40	.30
7450	.25	74192	.75	74LS01	.40	74S50	.30
7451	.25	74193	.85	74LS02	.45	74S51	.35
7453	.20	74194	.95	74LS03	.45	74S64	.15
7454	.25	74195	.95	74LS04	.45	74S74	.70
7460	.40	74196	.95	74LS05	.45	74S112	.60
7470	.45	74197	.95	74LS08	.45	74S114	.85
7472	.40	74198	1.45	74LS09	.45	74S133	.85
7473	.25	74221	1.50	74LS10	.45	74S140	.75
7474	.30	74298	1.50	74LS11	.45	74S151	.95
7475	.35	74367	1.35	74LS20	.45	74S153	.95
7476	.40	75491	.65	74LS21	.45	74S157	.98
7480	.75	75492	.65	74LS22	.45	74S158	.80
7481	.85	74H00	.20	74LS32	.50	74S194	1.50
7482	.95	74H01	.30	74LS37	.45	74S196	2.00
7483	.95	74H04	.30	74LS38	.65	74S257 (8123)	2.50
7485	.75	74H05	.25	74LS40	.70	8131	2.75
7486	.55	74H08	.35	74LS42	.95		
7489	1.05	74H10	.35	74LS51	.75		
7490	.55	74H11	.25	74LS74	.95		
7491	.70	74H15	.45	74LS75	1.20		

I ² L, LINEARS, REGULATORS, ETC.					
QTY.		QTY.		QTY.	
MCT2	.95	LM320K24	1.65	LM373	3.95
8038	3.95	LM320T5	1.65	LM377	3.95
LM201	.75	LM320T12	1.65	78L05	.75
LM301	.45	LM320T15	1.65	78L12	.75
LM308	.65	LM323K	5.95	78L15	.75
LM309H	.85	LM324	1.25	78M05	.75
LM309 (340K-5)	1.50	LM339	.75	LM380 (8-14 Pin)	1.19
LM310	.85	7805 (340T5)	1.15	LM709 (8-14 Pin)	.45
LM311 (8-14 Pin)	.75	LM340T12	.95	LM711	.45
LM318	1.50	LM340T15	.95	LM723	.40
LM320H6	.79	LM340T18	.95	LM725	2.50
LM320H15	.79	LM340T24	.95	LM739	1.50
LM320H24	.79	LM340K12	1.25	LM741 (8-14)	.45
7905 (LM320K5)	1.65	LM340K15	1.25	LM747	1.10
LM320K12	1.65	LM340K18	1.25	LM1307	1.75
LM320K15	1.65	LM340K24	1.25	LM1458	.65

LM3900	.95
LM75451	.65
NE555	.45
NE556	.85
NE565	1.15
NE566	1.25
NE567	.95
TA7205	6.95
76477	2.95
95H90	9.95

INTEGRATED CIRCUITS UNLIMITED
 7889 Clairemont Mesa Blvd., San Diego, California 92111
 Out of State 1-800-854-2211 Cable Address:ICUSD Telex: 697-827
 (714) 278-4394 California Residents 1-800-542-6239

NAME _____
 STREET ADDRESS _____
 CITY _____ STATE _____ ZIP _____
 PHONE _____ CHARGE CARD # AE Visa BA MC _____ EXP. DATE _____

C.O.D. _____ WILL CALL _____ UPS _____ POST _____ NET 10th OF THE MONTH _____ PO # _____

ALL ORDERS SHIPPED PREPAID - NO MINIMUM - COD ORDERS ACCEPTED - ALL ORDERS SHIPPED SAME DAY
 OPEN ACCOUNTS INVITED - California Residents add 6% Sales Tax. PRICES SUBJECT TO CHANGE WITHOUT NOTICE.
 24 Hour Phone Service - We accept American Express / Visa / BankAmericard / Master Charge

SPECIAL DISCOUNTS

Total Order	Deduct
\$35-\$99	10%
\$100-\$300	15%
\$301-\$1000	20%

QUALITY ELECTRONIC COMPONENTS

DON'T FORGET OUR DISCOUNTS WHEN COMPARING PRICES

I.C.'S • RESISTORS • TRANSISTORS • CAPACITORS • DIODES • I.C. SOCKETS & PINS • SWITCHES • CLOCK MODULES • OPTOELECTRONICS • BREADBOARDING & TESTING DEVICES • DRAFTING SUPPLIES • DATA BOOKS • HEAT SINKS • WIRE • TOOLS... AND MORE... WRITE FOR FREE CATALOG.....

I.C. Socket Prices Slashed

I.C. SOCKETS

• BOTH GOLDEN AND WIRE WRAP ARE IN STOCK

• **SOLETRAC SOCKETS ARE LOW PROFIT!**

• **WIRE WRAP SOCKETS ARE STANDARD PEOPLE LEVEL 3**

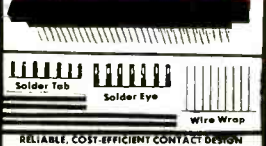
Part No.	Description	1	10	100
8-5T	8 Pin Solder Tab	06	80	8.00
14-5T	14 Pin Solder Tab	14	140	14.00
16-5T	16 Pin Solder Tab	16	160	16.00
18-5T	18 Pin Solder Tab	18	180	18.00
20-5T	20 Pin Solder Tab	20	200	20.00
22-5T	22 Pin Solder Tab	22	220	22.00
24-5T	24 Pin Solder Tab	24	240	24.00
28-5T	28 Pin Solder Tab	28	280	28.00
40-5T	40 Pin Solder Tab	40	400	40.00
8-W	8 Pin Wire Wrap	24	230	25.50
14-W	14 Pin Wire Wrap	26	250	27.00
16-W	16 Pin Wire Wrap	30	285	31.50
18-W	18 Pin Wire Wrap	60	570	57.00
20-W	20 Pin Wire Wrap	70	630	63.00
22-W	22 Pin Wire Wrap	84	810	71.50
24-W	24 Pin Wire Wrap	96	900	81.00
28-W	28 Pin Wire Wrap	112	1100	99.00
40-W	40 Pin Wire Wrap	136	1350	115.00

MOLEX I.C. SOCKET PINS

INTEGRATED CIRCUITS

Part No.	Description	1	10	100
7401N	7401N	26400	264	26.40
7402N	7402N	4002	40	4.00
7403N	7403N	23	233	23.30
7404N	7404N	4009	40	4.00
7405N	7405N	4009	40	4.00
7406N	7406N	4011	40	4.00
7410N	7410N	28012	28	2.80
7411N	7411N	50014	50	5.00
7412N	7412N	28013	28	2.80
7414N	7414N	40019	40	4.00
7420N	7420N	28019	28	2.80
7425N	7425N	33022	33	3.30
7426N	7426N	33022	33	3.30
7430N	7430N	33024	33	3.30
7432N	7432N	33025	33	3.30
7433N	7433N	33025	33	3.30
7434N	7434N	33026	33	3.30
7435N	7435N	33027	33	3.30
7436N	7436N	33028	33	3.30
7437N	7437N	33029	33	3.30
7438N	7438N	33030	33	3.30
7439N	7439N	33031	33	3.30
7440N	7440N	33032	33	3.30
7441N	7441N	33033	33	3.30
7442N	7442N	33034	33	3.30
7443N	7443N	33035	33	3.30
7444N	7444N	33036	33	3.30
7445N	7445N	33037	33	3.30
7446N	7446N	33038	33	3.30
7447N	7447N	33039	33	3.30
7448N	7448N	33040	33	3.30
7449N	7449N	33041	33	3.30
7450N	7450N	33042	33	3.30
7451N	7451N	33043	33	3.30
7452N	7452N	33044	33	3.30
7453N	7453N	33045	33	3.30
7454N	7454N	33046	33	3.30
7455N	7455N	33047	33	3.30
7456N	7456N	33048	33	3.30
7457N	7457N	33049	33	3.30
7458N	7458N	33050	33	3.30
7459N	7459N	33051	33	3.30
7460N	7460N	33052	33	3.30
7461N	7461N	33053	33	3.30
7462N	7462N	33054	33	3.30
7463N	7463N	33055	33	3.30
7464N	7464N	33056	33	3.30
7465N	7465N	33057	33	3.30
7466N	7466N	33058	33	3.30
7467N	7467N	33059	33	3.30
7468N	7468N	33060	33	3.30
7469N	7469N	33061	33	3.30
7470N	7470N	33062	33	3.30
7471N	7471N	33063	33	3.30
7472N	7472N	33064	33	3.30
7473N	7473N	33065	33	3.30
7474N	7474N	33066	33	3.30
7475N	7475N	33067	33	3.30
7476N	7476N	33068	33	3.30
7477N	7477N	33069	33	3.30
7478N	7478N	33070	33	3.30
7479N	7479N	33071	33	3.30
7480N	7480N	33072	33	3.30
7481N	7481N	33073	33	3.30
7482N	7482N	33074	33	3.30
7483N	7483N	33075	33	3.30
7484N	7484N	33076	33	3.30
7485N	7485N	33077	33	3.30
7486N	7486N	33078	33	3.30
7487N	7487N	33079	33	3.30
7488N	7488N	33080	33	3.30
7489N	7489N	33081	33	3.30
7490N	7490N	33082	33	3.30
7491N	7491N	33083	33	3.30
7492N	7492N	33084	33	3.30
7493N	7493N	33085	33	3.30
7494N	7494N	33086	33	3.30
7495N	7495N	33087	33	3.30
7496N	7496N	33088	33	3.30
7497N	7497N	33089	33	3.30
7498N	7498N	33090	33	3.30
7499N	7499N	33091	33	3.30
7500N	7500N	33092	33	3.30

TEXAS INSTRUMENTS GOLD EDGEBOARD CONNECTORS



RELIABLE, COST-EFFICIENT CONTACT DESIGN

• SO (Micro) to 75 (Solder Tab) micro-latches gold layer over a nickel diffusion barrier.

• Copper nickel on the GDS EASY side.

• Interlocked contact design.

• Protected, corrosion proof design.

• Catheters are your main reason.

HA SERIES - 100'S, 200' EDGEBOARD CONNECTORS

Part No.	Description	1	10	100
7414	100' 20' 18 20 18 00	22	220	22.00
7415	100' 20' 18 20 18 00	22	220	22.00
7416	100' 20' 18 20 18 00	22	220	22.00
7417	100' 20' 18 20 18 00	22	220	22.00
7418	100' 20' 18 20 18 00	22	220	22.00
7419	100' 20' 18 20 18 00	22	220	22.00
7420	100' 20' 18 20 18 00	22	220	22.00
7421	100' 20' 18 20 18 00	22	220	22.00
7422	100' 20' 18 20 18 00	22	220	22.00
7423	100' 20' 18 20 18 00	22	220	22.00
7424	100' 20' 18 20 18 00	22	220	22.00
7425	100' 20' 18 20 18 00	22	220	22.00
7426	100' 20' 18 20 18 00	22	220	22.00
7427	100' 20' 18 20 18 00	22	220	22.00
7428	100' 20' 18 20 18 00	22	220	22.00
7429	100' 20' 18 20 18 00	22	220	22.00
7430	100' 20' 18 20 18 00	22	220	22.00
7431	100' 20' 18 20 18 00	22	220	22.00
7432	100' 20' 18 20 18 00	22	220	22.00
7433	100' 20' 18 20 18 00	22	220	22.00
7434	100' 20' 18 20 18 00	22	220	22.00
7435	100' 20' 18 20 18 00	22	220	22.00
7436	100' 20' 18 20 18 00	22	220	22.00
7437	100' 20' 18 20 18 00	22	220	22.00
7438	100' 20' 18 20 18 00	22	220	22.00
7439	100' 20' 18 20 18 00	22	220	22.00
7440	100' 20' 18 20 18 00	22	220	22.00

HA SERIES - 125'S, 250' EDGEBOARD CONNECTORS

Part No.	Description	1	10	100
7441	125' 25' 18 25 18 00	25	250	25.00
7442	125' 25' 18 25 18 00	25	250	25.00
7443	125' 25' 18 25 18 00	25	250	25.00
7444	125' 25' 18 25 18 00	25	250	25.00
7445	125' 25' 18 25 18 00	25	250	25.00
7446	125' 25' 18 25 18 00	25	250	25.00
7447	125' 25' 18 25 18 00	25	250	25.00
7448	125' 25' 18 25 18 00	25	250	25.00
7449	125' 25' 18 25 18 00	25	250	25.00
7450	125' 25' 18 25 18 00	25	250	25.00
7451	125' 25' 18 25 18 00	25	250	25.00
7452	125' 25' 18 25 18 00	25	250	25.00
7453	125' 25' 18 25 18 00	25	250	25.00
7454	125' 25' 18 25 18 00	25	250	25.00
7455	125' 25' 18 25 18 00	25	250	25.00
7456	125' 25' 18 25 18 00	25	250	25.00
7457	125' 25' 18 25 18 00	25	250	25.00
7458	125' 25' 18 25 18 00	25	250	25.00
7459	125' 25' 18 25 18 00	25	250	25.00
7460	125' 25' 18 25 18 00	25	250	25.00

HA SERIES - 150'S, 300' EDGEBOARD CONNECTORS

Part No.	Description	1	10	100
7461	150' 30' 18 30 18 00	30	300	30.00
7462	150' 30' 18 30 18 00	30	300	30.00
7463	150' 30' 18 30 18 00	30	300	30.00
7464	150' 30' 18 30 18 00	30	300	30.00
7465	150' 30' 18 30 18 00	30	300	30.00
7466	150' 30' 18 30 18 00	30	300	30.00
7467	150' 30' 18 30 18 00	30	300	30.00
7468	150' 30' 18 30 18 00	30	300	30.00
7469	150' 30' 18 30 18 00	30	300	30.00
7470	150' 30' 18 30 18 00	30	300	30.00
7471	150' 30' 18 30 18 00	30	300	30.00
7472	150' 30' 18 30 18 00	30	300	30.00
7473	150' 30' 18 30 18 00	30	300	30.00
7474	150' 30' 18 30 18 00	30	300	30.00
7475	150' 30' 18 30 18 00	30	300	30.00
7476	150' 30' 18 30 18 00	30	300	30.00
7477	150' 30' 18 30 18 00	30	300	30.00
7478	150' 30' 18 30 18 00	30	300	30.00
7479	150' 30' 18 30 18 00	30	300	30.00
7480	150' 30' 18 30 18 00	30	300	30.00

SILICON TRANSISTORS

Part No.	Description	1	10	100
2N3638	2N3638	23	230	23.00
2N3639	2N3639	23	230	23.00
2N3640	2N3640	23	230	23.00
2N3641	2N3641	23	230	

Radio Shack — Your No. 1 Parts Place™

Why Wait for Mail Order Delivery? You'll Find Friendly Salespeople, Low Prices and New Items Every Day at Our Store or Dealer Near You!

Low-Power Schottky ICs

Low As **49¢**



- 100% Prime
 - Guaranteed Specs
- Improved 5-volt logic devices use Schottky diode technology for minimum propagation delay and high speed at minimum power.

Type	Cat. No.	ONLY
74LS00	276-1900	.49
74LS02	276-1902	.59
74LS04	276-1904	.59
74LS08	276-1908	.49
74LS10	276-1910	.59
74LS13	276-1911	.99
74LS20	276-1912	.59
74LS27	276-1913	.69
74LS30	276-1914	.59
74LS32	276-1915	.69
74LS47	276-1916	1.29
74LS51	276-1917	.59
74LS73	276-1918	.69
74LS74	276-1919	.69
74LS75	276-1920	.99
74LS76	276-1921	.79
74LS85	276-1922	1.29
74LS90	276-1923	.99
74LS92	276-1924	.99
74LS93	276-1925	.99
74LS123	276-1926	1.19
74LS132	276-1927	.99
74LS151	276-1929	.99
74LS157	276-1930	1.19
74LS161	276-1931	1.49
74LS164	276-1932	1.49
74LS175	276-1934	1.19
74LS192	276-1935	1.49
74LS193	276-1936	1.49
74LS194	276-1937	1.49
74LS196	276-1938	1.59
74LS367	276-1935	1.19
74LS368	276-1936	1.19
74LS373	276-1943	2.39
74LS374	276-1944	2.39

4000-Series CMOS ICs

Type	Cat. No.	EACH
4001	276-2401	.69
4011	276-2411	.69
4012	276-2412	.79
4013	276-2413	.99
4017	276-2417	1.69
4020	276-2420	1.69
4021	276-2421	1.69
4023	276-2423	.69
4027	276-2427	.99
4028	276-2428	1.29
4046	276-2446	1.69
4511	276-2447	1.69
4049	276-2449	.79
4050	276-2450	.79
4051	276-2451	1.49
4066	276-2466	1.39
4070	276-2470	.79
4518	276-2490	1.49
4543	276-2491	1.99

All from Major Semiconductor Mfrs., and Prime. Specs and Pin Out Diagram Included with Each Device.

28-Range Multitester with 10-Megohm Input

Save **33%**

Reg. 59.95 **39⁹⁵**

- Dual FET Input
- 5" Mirrored Scale
- Overload Protected
- Polarity Reverse Switch



High-accuracy 25 μ A meter with single-knob range selector measures DC Volts: 0-3-1-3-10-30-100-300-1000 at 10 Megohms. AC Volts: 0-3-30-100-300-1000 at 10 k Ω per volt. DC Current: 0-100 μ A, 3-30-300 mA, 10A. Resistance: Rx1, Rx10, Rx1000, Rx10k, Rx1M (10 ohms center scale). dB: -20 to +62 in 5 ranges. Accuracy: \pm 3% DC, \pm 4% AC. 7x5 $\frac{1}{2}$ x3 $\frac{1}{8}$ " overall. With leads, test probes, batteries. 22-208 Sale 39.95

6-Digit Frequency Counter

Save **50%**

Reg. 99.95 **49⁹⁵**



Overload protected 1-megohm input. Sensitivity, 30 mV up to 30 MHz. Accuracy is 3 ppm at 25° or less than 30 Hz at 10 MHz. With antenna, leads, case, instructions. 22-351 Sale 49.95

Pocket Multitester

Save **20%**

Reg. 9.95 **7⁸⁸**



• 8 Ranges • Fits in Shirt Pocket
Only 3 $\frac{1}{2}$ x2 $\frac{1}{2}$ x1 $\frac{1}{4}$ " yet measures AC, DC volts to 1000; DC current 0-150 mA; resistance, 1000 ohms/volt. With leads. Requires "AA" battery (not incl.). 22-027 Sale 7.88

Heavy-Duty 12VDC Power Supply

Save **16%**

Reg. 59.95 **49⁹⁵**

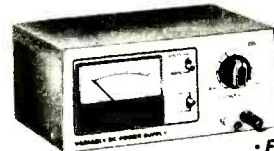


Delivers up to 8 amps — powers high-power auto sound equipment, CBs, ham radios and other accessories at home. Well filtered for minimum hum. Circuit breaker protected against overload. For 120VAC, 60 Hz. 3 $\frac{3}{4}$ x8x6 $\frac{5}{8}$ " U.L. listed. 22-125 Sale 49.95

Variable 0-24VDC Power Supply

Save **25%**

Reg. 39.95 **29⁹⁵**



• Full 1 Amp Output
• Automatic Current Limiting
Ideal DC source for solid-state projects and servicing. Load regulation better than 2%. Ripple 25 mV at full load. Large switchable meter reads voltage or current. 3-way binding posts. U.L. listed AC operation. 22-123 Sale 29.95

Low-Power Static RAM

Save **24%**

Reg. 1.89 **1.49**
Under 450 ns Access Time
Type 2102L. 1024x1 bytes of memory in a 16-pin DIP. 100% prime. Ideal for low-cost static memories. Single 5V supply operation. Reliable NMOS design. 276-2501 Sale 1.89



Dual Audio Delay IC

NEW!
10⁹⁵

SAD-1024. "Bucket Brigade" device has two independent 512-stage shift registers for echo, reverb, phase shift and chorus effects. Provides continuously variable electronic time delay. NMOS design operates from single supply. With data and applications. 276-1761 10.95



10-Position BCD Switch

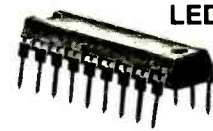
NEW!
2⁹⁹



Full 0-9 binary-coded outputs for logic circuits. Gold contacts are sealed for long life. Positive detents. Fits 8-pin DIP socket or mounts on PC board. Data included. 276-1310 2.99

LED Bar/Dot Driver

NEW!
3⁴⁹



Featured in July Popular Electronics
LM3914N. Ideal for voltage, current and audio displays. Drives 10 LEDs with adjustable analog steps, can be expanded up to 100 steps. Single pin selects bar or dot display mode. Current regulated LED outputs. Operates from 8 to 24VDC. 276-1707 3.49

4-Digit 0.5" LCD

NEW!
7⁹⁵



Includes Socket
Liquid crystal display with snooze, alarm and PM indicators. Direct drive requires 5VAC at only 10 μ A. Perfect for battery powered digital projects. Data included. 276-1230 7.95

Three 12VDC Motors

NEW!
1⁹⁸



Permanent Magnet-Type. Delivers high torque. Up to 10,000 RPM at no load. Overall 1 $\frac{1}{4}$ x1 $\frac{1}{8}$ " dia. Shaft diameter $\frac{3}{32}$ " $\frac{1}{2}$ " long. Solder terminals. 273-213 Pkg. 3/1.98

Come in for Your FREE Copy of Our New 176-Page 1980 Catalog!

(None Sent by Mail)

Prices may vary at individual stores and dealers

Radio Shack®

A DIVISION OF TANDY CORPORATION • FORT WORTH, TEXAS 76102
OVER 7000 LOCATIONS IN 40 COUNTRIES

POPULAR ELECTRONICS

Active Electronic Sales Corp.

EPROM'S

1702A-6	\$6.95	\$4.45
256 x 8 1.5 uS		
2708		\$9.95
1K x 8 450 NS		

MOS Static RAM's

Part No.	Price	
2101	\$2.45	\$2.39
1K 22 PIN		
2102LFPC	\$1.49	\$1.14
1K 350NS (Low Power)		
2102-1PC	\$8.99	0.94
1K 450NS		
2114	\$6.75	\$5.99
4K (1K x 4) 300NS		
2114	\$8.50	\$4.99
4K (1K x 4) 450NS		

MOS Dynamic RAM's

Part No.	Price	
4K 4027	\$2.95	
4K (4K x 1) 300NS 16 PIN		
16K 416-3	\$11.95	
16K (16K x 1) 200NS 16PIN		
16K 416-5	\$9.95	
16K (16K x 1) 300NS 16PIN		

UART's

Part No.	Price	
AY5-1013A	\$4.80	\$4.25
AY3-1015	\$5.50	\$5.25

1K CMOS RAM

Part No.	Price	
5101	\$4.95	\$4.50
450NS (Low Power)		

MICROCOMPUTER BOARDS

NEC MICROCOMPUTER TK-80A

The TK-80A is a complete microcomputer on a board based on the industry standard 8080A. The board has both 1K RAM and 1K Electrically Erasable PROM. It also features 300 or 1200 baud cassette interface, the Kansas City type and three B-B1 Programmable I/O Ports, 24 lines of keypad with 24 keys, a calculator keypad and 8 high brightness digital display are also included.

TK-80A \$299.00


MICROPROCESSOR CHIPS

CPU's

Part No.	Price	
8080A	5.50	
8085	12.95	
6800	7.85	6.95

INTERFACE SUPPORT CIRCUITS

Part No.	Price	Part No.	Price
8212	2.95	8255	5.50
8214	3.95	8257	10.95
8216	2.75	8259	14.95
8224	2.95		
8226	1.98	6810	3.95
8228	4.75	6820	3.95
8238	4.75	6821	3.95
8251	5.50	6850	4.95 4.50
8253	14.95	6852	4.95 4.50






POTENTIOMETERS

TRIMPOT® Potentiometers


MODEL	POWER	STANDARD RESISTANCES	DIMENSIONS (H x W x L)	PRICE
3006P	0.75 Watt	10 ohm - 2 Meg	25" x 19" x 75"	\$0.80
3299W	0.5 Watt	10 ohm - 1 Meg	39" x 37" x 25"	\$1.42
3386P	0.5 Watt	10 ohm - 2 Meg	375" x 375" x 19"	\$0.60

P = Printed Circuit Pins (flat mounting)
W = Printed Circuit Pins (edge mounting)

3006P 3386P
3299W

Special of the Month




Z80-CTC	\$7.95	
Z80A-CTC	\$8.95	
Z80-DMA	\$24.95	
Z80-SIO/0	\$35.00	
Z80A-SIO/0	\$45.00	
Z80-CPU	\$9.95	
Z80A-CPU	\$11.95	
Z80-SIO/1	\$35.00	
Z80A-SIO/1	\$45.00	
Z80-PIO	\$7.95	
Z80A-PIO	\$8.95	
Z80-SIO/2	\$35.00	
Z80A-SIO/2	\$45.00	

Texas Instruments Low Profile Sockets

Finest Quality Socket available in the world. Nobody can match Texas Instruments quality — a unique combination of I.C. technology and multi-metal expertise.

Over one million pieces in stock

Contacts	Price	Contacts	Price
8 PIN	08	22 PIN	22
14 PIN	12	24 PIN	24
16 PIN	14	28 PIN	28
18 PIN	18	40 PIN	40
20 PIN	20		




1979 IC MASTER 2500 pages

Complete integrated circuit data selector. Master guide to the latest I.C.'s including microprocessors and consumer circuits.

"Special Offer" \$33.95

Free Quarterly Updates



L.E.D. LAMPS


LED209	T-1 3mm Red	.09
LED211	T-1 3mm Green	.14
LED212	T-1 3mm Yellow	.13
LED220	T-1 3/4 5mm Red	.11
LED222	T-1 3/4 5mm Green	.15
LED224	T-1 3/4 5mm Yellow	.14

DISPLAYS

MAN74A	300' Common Cathode	\$0.99
FND357	375' Common Cathode	\$1.15 \$1.09
FND500	500' Common Cathode	\$1.30 \$1.09
FND507	500' Common Anode	\$1.30 \$1.09
FND567	500' Common Anode	\$1.30 \$1.29
DL747	630' Common Anode	\$2.45 \$2.30
DL704	300' Common Cathode	\$1.30 \$1.29
DL707	300' Common Anode	\$1.30 \$1.29

ISOLATORS

IL1	Opto Coupler 1500V	49
IN26	Opto Isolator 2500V	59
MCT6	Dual Opto Isolator 1500V	\$1.29 \$1.29



VOLTAGE REGULATORS

High Current (TO-3)

78H05SC	\$4.92	5V/5A
78H12SC	\$5.07	12V/5A
78H15SC	\$5.07	15V/5A
78P05SC	\$7.56	5V/10A
78HGKC	\$5.75	5V-24V/5A Positive Adjustable
79HGKC	\$8.32	-24V to 2 11V/5A Negative Adjustable
SH1605	\$12.22	3V-30V/5A Adj. Step Down Switching
SH1705	\$7.56	5V/5A Fixed Positive

7800UC Series Positive 1 AMP (TO-220 Plastic) 5, 6, 8, 12, 15, 18, 24, Volts \$0.99
Data Available on Request

Active Electronic Sales Corp.

P.O. BOX 1035 FRAMINGHAM, MASSACHUSETTS 01701

Over the counter sales.
12 Mercer Rd., Natick, Mass 01760
Behind Zayres on Rte 9
Telephone Orders & Enquiries (617) 879-0077

IN CANADA:
5651 FERRIER ST. MONTREAL QUEBEC H4P 2K5 Tel: (514) 735-6425
4800 DUFFERIN ST. DOWNSVIEW, ONTARIO M3H 5S9 Tel: (416) 661-1115
BAXTER CENTRE 1050 BAXTER ROAD OTTAWA, ONTARIO K2C 3P2 Tel: (613) 820-9471
3070 KINGSWAY VANCOUVER, B.C. V5R 5J7 Tel: (604) 438-3321

MINIMUM ORDER \$10.00 • ADD \$2.00 TO COVER POSTAGE & HANDLING

Foreign customers please remit payment on an international bank draft or international postal money order in American dollars






Breadboarding Center



DATA SHEETS!

MINI-/MICRO-COMPUTER PLUGBOARDS

IN OUR EFFORTS TO KEEP YOU CURRENT, UP TO DATE, WE ARE HAPPY TO OFFER YOU FREE DATA SHEETS FOR ALL IC'S THAT WE CARRY. THESE ARE HIGH QUALITY, FULL-LENGTH REPRODUCTIONS OF ORIGINAL MANUFACTURERS' DATA SHEETS. WE REQUEST, HOWEVER, THAT YOU LIMIT YOUR REQUESTS TO ONE DATA SHEET FOR EACH DOLLAR WORTH OF MERCHANDISE THAT YOU PURCHASE FROM US.

74xx	74198 \$1.45	74LS490 \$1.49	74C910 \$6.00
7400 \$0.15	74259 1.45	74LS810 2.33	74C914 1.10
7401 \$0.17	74261 1.09	74LS10 0.31	74C918 1.49
7402 \$0.17	74269 0.89	74LS100 0.35	74C925 7.80
7403 \$0.17	74293 0.89	74LS00 0.35	74C928 7.80
7404 \$0.18	74298 0.92	74LS01 0.35	
7405 \$0.18	74305 0.62	74LS02 0.35	
7406 \$0.24	74368 0.62	74LS03 0.36	
7407 \$0.24	74367 0.62	74LS08 0.38	
7408 \$0.20	74368 0.62	74LS09 0.38	
7409 \$0.20		74LS10 0.38	
7410 \$0.17		74LS11 0.27	
7411 \$0.20		74LS12 0.27	
7412 \$0.24	74LS00 \$0.27	74LS20 0.35	
7413 \$0.25	74LS01 0.27	74LS22 0.36	
7414 \$0.10	74LS02 0.27	74LS23 0.35	
7416 \$0.24	74LS03 0.27	74LS24 0.35	
7417 \$0.24	74LS04 0.28	74LS40 0.35	
7420 \$0.19	74LS05 0.27	74LS112 0.58	
7421 \$0.27	74LS08 0.28	74LS15 0.35	
7423 \$0.25	74LS09 0.28	74LS16 0.35	
7425 \$0.25	74LS10 0.27	74LS64 0.38	
7426 \$0.24	74LS11 0.27	74LS65 0.38	
7427 \$0.25	74LS12 0.27	74LS68 0.38	
7430 \$0.19	74LS13 0.27	74LS69 0.38	
7432 \$0.24	74LS14 0.27	74LS70 0.38	
7437 \$0.24	74LS15 0.27	74LS71 0.38	
7438 \$0.24	74LS20 0.27	74LS113 0.58	
7439 \$0.29	74LS21 0.27	74LS114 0.58	
7440 \$0.19	74LS22 0.27	74LS132 0.75	
7441 \$0.18	74LS23 0.27	74LS133 0.75	
7442 \$0.18	74LS27 0.27	74LS134 0.38	
7443 \$0.19	74LS30 0.27	74LS135 0.40	
7444 \$0.69	74LS32 0.32	74LS136 0.77	
7445 \$0.69	74LS33 0.32	74LS137 0.77	
7446 \$0.69	74LS38 0.32	74LS139 0.77	
7447 \$0.62	74LS40 0.27	74LS140 0.47	
7448 \$0.69	74LS42 0.66	74LS151 0.69	
7450 \$0.19	74LS47 0.75	74LS152 0.75	
7451 \$0.19	74LS48 0.75	74LS158 0.75	
7453 \$0.19	74LS51 0.27	74LS174 0.50	
7454 \$0.19	74LS52 0.27	74LS175 0.45	
7455 \$0.19	74LS53 0.27	74LS189 0.75	
7460 \$0.19	74LS53 0.27	74LS194 0.75	
7470 \$0.29	74LS54 0.38	74LS200 0.35	
7472 \$0.29	74LS56 0.38	74LS206 0.35	
7473 \$0.29	74LS57 0.38	74LS207 0.35	
7474 \$0.29	74LS58 0.38	74LS215 0.35	
7475 \$0.31	74LS59 0.38	74LS216 0.35	
7476 \$0.31	74LS60 0.38	74LS220 0.25	
7480 \$0.59	74LS65 0.56	74LS225 0.25	
7482 \$0.59	74LS66 0.56	74LS226 0.25	
7483 \$0.59	74LS67 0.56	74LS227 0.25	
7485 \$0.79	74LS68 0.56	74LS230 0.35	
7486 \$0.79	74LS69 0.56	74LS231 0.35	
7489 \$0.75	74LS109 0.38	74LS232 0.35	
7490 \$0.43	74LS110 0.38	74LS233 0.35	
7491 \$0.43	74LS111 0.38	74LS234 0.35	
7492 \$0.43	74LS112 0.38	74LS235 0.35	
7493 \$0.43	74LS113 0.38	74LS236 0.35	
7494 \$0.65	74LS125 0.48	74LS237 0.35	
7495 \$0.65	74LS126 0.48	74LS238 0.35	
7496 \$0.65	74LS127 0.48	74LS239 0.35	
7497 \$0.65	74LS128 0.48	74LS240 0.35	
74107 \$0.29	74LS136 0.38	74LS241 0.35	
74109 \$0.32	74LS138 0.93	74LS242 0.35	
74121 \$0.34		74LS243 0.35	
74122 \$0.39	74LS151 0.74	74C00 \$0.24	
74123 \$0.49	74LS152 0.74	74C02 0.24	
74125 \$0.39	74LS153 0.74	74C04 0.26	
74126 \$0.39	74LS154 0.74	74C06 0.26	
74132 \$0.65	74LS155 0.74	74C08 0.24	
74141 \$0.79	74LS156 0.74	74C10 0.24	
74145 \$0.69	74LS157 0.74	74C12 0.25	
74147 \$0.69	74LS158 0.74	74C14 0.24	
74148 \$0.79	74LS160 0.01	74C32 0.25	
74150 \$0.89	74LS161 0.01	74C42 0.94	
74151 \$0.59	74LS162 0.01	74C48 1.27	
74152 \$0.59	74LS163 0.01	74C73 0.11	
74153 \$0.59	74LS164 0.01	74C74 0.48	
74154 \$0.59	74LS168 0.13	74C76 0.11	
74155 \$0.69	74LS169 0.13	74C83 0.37	
74156 \$0.69	74LS170 0.13	74C85 0.37	
74157 \$0.64	74LS171 0.13	74C88 0.49	
74158 \$0.64	74LS174 0.13	74C89 0.39	
74160 \$0.87	74LS175 0.83	74C90 0.37	
74161 \$0.87	74LS176 0.83	74C93 0.50	
74162 \$0.87	74LS190 0.17	74C95 1.06	
74163 \$0.87	74LS191 0.17	74C107 0.69	
74164 \$0.87	74LS192 0.17	74C151 0.89	
74165 \$0.87	74LS193 0.17	74C154 0.29	
74166 \$0.87	74LS194 0.17	74C155 0.29	
74167 \$0.95	74LS195 0.83	74C160 1.17	
74170 \$0.55	74LS196 0.85	74C161 1.17	
74173 \$0.20	74LS197 0.85	74C162 1.17	
74174 \$0.88	74LS221 0.30	74C163 1.17	
74175 \$0.78	74LS251 0.95	74C164 1.03	
74176 \$0.78	74LS252 0.95	74C165 1.03	
74177 \$0.78	74LS253 0.95	74C173 1.29	
74178 \$0.95	74LS254 0.95	74C174 1.15	
74179 \$0.80	74LS259 1.81	74C175 1.15	
74180 \$0.80	74LS260 0.54	74C192 0.37	
74181 \$0.80	74LS261 0.54	74C193 0.37	
74182 \$0.78	74LS262 0.58	74C194 0.37	
74183 \$0.78	74LS263 0.58	74C195 0.37	
74184 \$0.78	74LS264 0.58	74C200 0.50	
74185 \$0.78	74LS265 0.58	74C221 1.89	
74188 \$0.35	74LS299 0.99	74C241 0.60	
74190 \$0.95	74LS300 0.98	74C242 0.60	
74191 \$0.95	74LS305 0.98	74C243 0.60	
74192 \$0.95	74LS306 0.98	74C244 0.60	
74193 \$0.80	74LS367 0.66	74C245 0.60	
74194 \$0.87	74LS368 0.66	74C246 0.60	
74195 \$0.87	74LS369 0.66	74C247 0.60	
74196 \$0.87	74LS390 1.69	74C248 0.60	
74197 \$0.87	74LS393 1.69	74C249 0.60	

Vector Mini / Micro-Computer Plugboards are ideal for those who want to design their own interface or memory boards for a wide range of computers. The boards offer the same edge-conductor contact spacing as the original manufacturers' and the 0.1" x 0.1" grid of 0.042" diameter holes will accept a wide range of Vector Pins and Terminals that are listed below. The boards available are: Type 3662 for general purpose use, Type 4350 for TI 980 Series, Type 4607 for DEC LSI-11, PDP-8, and PDP-11 Series, Type 4808 for Intel 58C80 and National 8C80 Series, and Series 8800 Boards for Altair 8800 and IMSAI 8080 Series.

Plugboard Type 3662, which measures 4.5" x 6.5", features 72 numbered contacts on the front. The reverse side has 21 center contacts, 68 ground contacts. The copper contacts are gold over nickel plated and are on 0.156" centers. The card fits standard 5.25" card cases. The "P" pattern plugboard provides maximum flexibility in component layout using any integrated circuit package or discrete component. Pre-punched holes in 1/16" epoxy glass with 0.042" diameter holes on 0.1" x 0.1" centers register with DIP sockets and similar components. CATALOG NO. 23-36620 \$1.65

The 4350 plugboard is designed for manufacturing or breadboarding of microprocessor assemblies, general digital circuits, and for interface assemblies with both digital and analog circuits. It will mount directly into the TI 9800 Series computer for interface circuitry. The plugboard has 80 etched contacts (40 each side) on 0.125" centers and will mount 63 DIPs (14 or 16 pin) over the power and ground buses. 14 more can be mounted in the side margins if required. Alternatively, the microprocessor DIPs (24 pin, 0.6" centers) can be mounted in the uppermost part of the board along with 45 DIPs (14 or 16 pin) in the lower part of the board and 14 more at the side if required. 40-pin microprocessor DIPs are easily accommodated by cutting one etched jumper at each DIP location. The board is made of blue FR4 Epoxy composite, 1/16" thick, and measures 7 inches wide by 9.5 inches long. The 2-oz. copper losses and pads on the board are tin plated and are drilled with 0.041" diameter holes to accept a variety of Vector pins for ease of construction. Hole spacing is standard 0.1 inch, and contact areas are gold over nickel plated. CATALOG NO. 23-43500 \$18.49

Type 4607 plugboard has been designed to fit DEC LSI-11, PDP-8, and PDP-11 computers. It also fits Heathkit H-11 Microcomputers. The board which measures 5.19" by 8.33" is made of blue FR4 epoxy glass G10 laminated with tin plated 2-oz. copper cladding. The holes are 0.042" in diameter and are on 0.100" centers. The gold over nickel plated twin 180-ohm contacts are on 0.125" centers. Up to 89 16-pin DIPs and a host of discrete components can be mounted on each board. This board is mainly intended for wire-wrapping or soldering components on it, as no pads or buses are provided on it. CATALOG NO. 23-46070 \$19.95

Type 4608 plugboards are suitable for use with INTEL 58C80 and National 8C80 Series Microprocessors. It has Series 80 size, shape and connector patterns, and can accommodate up to 54 16-pin DIPs, 0.042" diameter holes on 0.100" centers accept a wide variety of Vector pins and special pre-punched area is left set up to accept a 7805 Series or LM340 Series voltage regulator. There are five contact lugs, two 25-50, one 1/32" over 30/60, one 0.125" over 0.125" and one 4.3186 over 0.156" centers. All contact areas are gold over nickel plated. The pads on the board itself are all 2-oz. copper with tin plating. The overall size of the board is 6.75" x 12.00", and its material is blue epoxy glass composite. CATALOG NO. 23-46800 \$45.00

For Altair 8800 and IMSAI 8080 Microcomputers, Vector offers type 8800V plugboards. These 5.3" x 10" boards accept 52 14- or 16-pin DIPs, or 26 24-pin DIPs, or a combination of 14- to 40-pin DIPs. There is also a pre-wired area for up to 4 power regulators in TO-220 packages. The board material is 1/16" thick FR4 epoxy glass composite with 50/100 contacts on 0.125" centers which are gold over nickel plated. DIP core coordinate labels are also provided for circuit layout and for wiring directly from schematics or wiring lists. Layout paper and a sample of wire wrapable terminals are supplied with each board. CATALOG NO. 23-88000 \$19.95

Type 8801 is the same size as Type 8800V above, except that it has one pad per hole instead of ground and power bus runs of 8800V. CATALOG NO. 23-88010 \$21.04

Type 8801-1 is the same as Type 8800V above, but no pads or buses are provided; thus being ideal for wire-wrapping or soldering. CATALOG NO. 23-88011 \$15.22

Type 8802-1 is also the same as Type 8800V, but it has a pad per two holes in place of normal ground and power buses of 8800V. CATALOG NO. 23-88021 \$23.99

Type 8804 "ANY DIP" board is optimized for wire-wrapping components. It comes with already pre-wired area for power regulators of TO-220 size and even a suitable heatsink is included with the board. CATALOG NO. 23-88040 \$21.95

PINS, TERMINALS, WRAP-POSTS

Vector Pins, Terminals, and Wrap-Posts go hand-in-hand with Plugboards and Vectorboards for a complete professional prototyping or short-run manufacturing job. We offer the complete line of all terminals that fit into 0.042" diameter holes, with tin and/or gold plating. For your convenience, three different packages of each type are available, so you do not have to buy more than what you may need.

TYPE	DESCRIPTION	MATERIAL	FINISH	SMALL PACK		MEDIUM PACK		LARGE PACK		MANUAL INSERTION TOOL			
				Qty/Pack	CATALOG NUMBER	Price/Pack	Qty/Pack	CATALOG NUMBER	Price/Pack		Qty/Pack	CATALOG NUMBER	Price/Pack
K24A	Inboard Pins	Phosphor Bronze	Nickel Gold	50	22-24012	\$2.73	250	22-24014	\$11.76	1000	22-24016	\$37.93	---
K24C	Inboard Pins	Phosphor Bronze	Nickel Gold	50	22-26012	2.82	250	22-26014	9.56	1000	22-26016	30.82	---
K26A	Inboard Pins	Phosphor Bronze	Bright Tin	50	22-26002	0.99	250	22-26004	3.59	1000	22-26006	11.56	---
K30A	Inboard Pins	Phosphor Bronze	Nickel Gold	50	22-30012	2.56	250	22-30014	13.52	1000	22-30016	43.64	---
K30C	Inboard Pins	Phosphor Bronze	Bright Tin	50	22-30002	1.35	250	22-30004	5.37	1000	22-30006	17.19	---
K31A	Inboard Pins	Phosphor Bronze	Nickel Gold	50	22-31012	2.06	250	22-31014	7.49	1000	22-31016	24.14	---
K31C	Inboard Pins	Phosphor Bronze	Bright Tin	50	22-31002	1.11	250	22-31004	4.03	1000	22-31006	12.99	---
K32	Wrap-Post "J" Pins	Phosphor Bronze	Bright Tin	100	22-32003	1.79	500	22-32006	6.68	1000	22-32006	11.16	---
K32A	Wrap-Post "J" Pins	Phosphor Bronze	Bright Tin	100	22-32023	2.70	500	22-32026	10.14	1000	22-32026	16.30	---
K32B	Wrap-Post "J" Pins	Phosphor Bronze	Bright Tin	100	22-32013	2.18	500	22-32016	8.17	1000	22-32016	13.61	---
K38A	Inboard Pins	Phosphor Bronze	Nickel Gold	50	22-38012	3.18	250	22-38014	11.59	1000	22-38016	37.37	---
K38C	Inboard Pins	Phosphor Bronze	Bright Tin	50	22-38002	1.85	250	22-38004	6.74	1000	22-38006	21.73	---
R41	Socket Pins	Beryllium Copper	Gold	25	22-32911	5.90	100	22-32913	21.44	1000	22-32916	73.56	P162
R41	Socket Pins	Beryllium Copper	Gold	50	22-41012	2.11	250	22-41014	10.17	1000	22-41016	32.78	---
T421	Micro-Kit Terminals	Copper Alloy	Bright Tin	100	22-42103	1.54	500	22-42106	6.77	1000	22-42106	11.28	P149 or P149A
T44	Bifurcated Wrap-Post	Copper Alloy	Tin/Lead	100	22-44003	2.34	500	22-44006	8.61	1000	22-44006	14.35	A13
T44-1	Bifurcated Wrap-Post	Copper Alloy	Nickel Gold	100	22-44113	3.59	500	22-44116	14.76	1000	22-44116	24.80	A13
T46	Double Wrap Post Pins	Phosphor Bronze	Tin/Lead	100	22								

PET 2001 PERSONAL COMPUTER

Quite portable, very affordable and unbelievably versatile, the PET computer may very well be a lifetime investment....

\$595
2001 4K bytes memory

- PET 2001-8 Computer Standard PET with integral cassette and color type keyboard, 8K bytes of memory, 4K ROM. \$795.00
- PET 2001-16N Computer 16K bytes, large keyboard w/separate numeric pad and graphics. \$995.00
- CBM 2001-16B Computer as above but has standard typewriter style graphic keys. \$595.00
- PET 2011-32N Computer identical to 2001-16N with 32K bytes of memory. \$1295.00
- CBM 2001-32B Computer identical to 2001-16B with 32K bytes of memory. \$1295.00
- CBM 2022 Printer 80 column dot matrix printer with plain paper or forms handling tractor feed. Full graphics. \$995.00
- CBM 2023 Printer 80 column dot matrix printer. Plain paper, printer with full graphics. \$849.00
- CBM 2040 Dual Floppy Dual drive intelligent mini floppy system with 2.8K net user storage capacity. \$1295.00
- C2N External Cassette Cassette player/recorder to use with PET 2001/8/16/32. \$95.00
- PET to IEEE Cable Use this cable to connect your floppy or printer to any IBM Computer. \$39.95
- IEEE to IEEE Cable Use this cable when connecting more than one peripheral to any CBM Computer. \$49.95
- User Manual 160 pages covers all facets of user operation, programming and I/O for PET computers. \$9.95

POWER SUPPLIES FROM AOTECH POWER

Model	Vdc	Amps	Model	Vdc	Amps
APS 5-3	5	3.0	APS 5-6	5	6.0
APS 12-16	12	1.6	APS 12-4	12	5.0
APS 15-15	15	1.5	APS 15-3	15	3.0
APS 24-1	24	1.0	APS 24-2.2	24	2.2

1.9 10up 25up 1.9 10up 25up
\$35.50 \$34.00 \$31.75 \$58.00 \$55.50 \$51.80

EXAR

Model	Price	Model	Price
XR2201CN	\$1.53	XR2208N	\$8.88
XR2201CP	1.33	XR2209CP	1.72
XR2202CP	1.33	XR2211CN	6.21
XR2202CP	1.23	XR2211CP	5.25
XR2204CP	3.33	XR2212CP	4.37
XR2206CN	5.36	XR2216CN	6.40
XR2206CP	1.99	XR2240CN	3.66
XR2206CP	1.51	XR2240CP	3.44
XR2207CN	4.28	XR2240CP	3.44
XR2207CP	3.22	XR2240CN	6.24
XR2207N	5.25	XR2242CP	1.68
XR2207N	5.25	XR2242CP	1.50
XR2207N	5.25	XR2264CP	4.24
XR2208N	6.48	XR2266CP	4.90
XR2208N	6.48	XR2266CP	4.90
XR2208CP	5.20	XR2271CP	1.15
XR2208CP	5.20	XR2271CP	1.15

Interms LED or LCD 3 1/2" DIGIT PANEL METER KITS

BUILD A WORKING DPM IN 1/2 HOUR WITH THESE COMPLETE EVALUATION KITS

Test these new parts for yourself with Interms low cost prototyping kits complete with A/D converter and LCD display for the 100 or LED display (for the 7000). Kits include all materials including PCB board for functioning assembly.

ICL7106EV (LCD) \$29.95 ICL7107 (LED) \$24.95

1802 SERIES

1802LE \$9.90	1854LE \$8.50
1822LE 8.05	1856LE 1.10
1824LE 3.35	1857LE 1.10
1852LE 1.90	1858LE 1.45
1853LE 1.45	1859LE 1.45

8038CP

Function Generator IC
\$3.90 each

2708

8K EPROM
\$10.50 ea or 10 for \$8.90 ea

SYM-1

The Complete MICRO-Computer System
\$269.00

KTM-2 CRT/TV Kybd Term \$349

FLUKE \$129 NEW

Model 8020A Model 8022A
\$169

CG 4103	\$12.00	COM 5016TP	\$12.00
COM 1671	42.00	COM 5025	30.00
COM 2017	15.00	COM 5025P	28.00
COM 2017P	5.70	COM 5028	11.00
COM 2017H	15.00	COM 5028P	10.00
COM 2017HP	5.70	COM 5026T	10.70
COM 2502	15.00	COM 5026TP	10.20
COM 2502P	8.00	COM 5036	16.20
COM 2502H	15.00	COM 5036P	12.70
COM 2502HP	8.00	COM 5036TP	12.90
COM 2601	30.00	COM 5036TP	12.40
COM 2601P	29.00	COM 5046	11.00
COM 5016	12.20	COM 5046P	10.50
COM 5016P	12.20	COM 5046T	10.70
COM 5016TP	12.90	COM 5046TP	10.20

NEW 30 MEGAHERTZ

PORTABLE DUAL TRACE MINI SCOPE

MS-230	30 MEGAHERTZ	\$559.00
MS-215	15 MEGAHERTZ	\$435.00
MS-185	Single Trace	\$318.00

Options: Leather Case (MS 35.75) \$40.00, 10 to 1 Probe (10 megohm input) \$24.50, Leather Case (MS 230) \$40.00

FUNCTION GENERATOR KIT

XR2206KB

OPERATES ON EITHER SINGLE 12V SUPPLY * 6V SPLIT SUPPLY INCLUDES ALL PARTS TO BE MOUNTED ON PCB BOARD.

\$19.95
POWER SUPPLY NOT INCLUDED

KIM-1 MICROCOMPUTER

Fully Assembled & Tested
\$179.00 (including Documentation)

STANDARD MICROSYSTEMS

COM 6402	\$15.00
COM 6402P	8.00
COM 8017	15.00
COM 8017P	5.70
COM 8046	11.00
COM 8046T	10.70
COM 8116	13.20
COM 8116T	12.90
COM 8125	11.00
COM 8126T	10.70
COM 8136	13.20
COM 8136T	12.90
COM 8148	11.00
COM 8148T	10.70
COM 8502	15.00
COM 8502P	8.00
CRT 5027	50.00
CRT 5027P	42.00
CRT 5037	50.00
CRT 5037P	42.00
CRT 7004A	19.80
CRT 7004A	18.00
CRT 7004A	16.20
CRT 8002A	35.00
CRT 8002B	30.00
CRT 8002C	25.00
F44 3400P	14.00
KR 2365T	12.00
KR 2365TP	12.00
KR 3605T	20.00

Rockwell AIM 65

The Head Start in Computers

20-Column Dot Matrix Printer
20-Column Alphanumeric Display

Terminal Style Keyboard

A65-100 1K Static RAM	\$375.00	DOCUMENTATION (Furnished with AIM 65 100 or 400 computer)	450.00
A65-400 4K Static RAM	450.00	Includes AIM65 Summary Card, Schematic, Program Monitor Listing, And User's Guide and \$6500 Programmer Ref Card, Manual and Hardware Manual.	\$20.00
A65-010 Assembler ROM	85.00		
A65-020 BASIC Interpreter on two ROMs	100.00		

HICKOK LX 303 DIGITAL MULTIMETER

Compact, Accurate, Dependable. With easy-to-read 1/2" liquid crystal display for convenient use in any kind of light. Weighs only 8 ounces. Operates up to 200 hrs on a single 9-volt battery. Nineteen ranges including 200mV to 1000V DC, 100 to 10 Megohms, 100 and 1000 VAC ranges, 10uA and 10mA ranges. Excellent overload protection, color coordinated case and color coded panels.

\$74.95

HYBRID AUDIO POWER AMPLIFIERS

* Matching Transformer

SI 1010G(10W)	\$ 6.95	TR10	\$ 7.90
SI 1020G(20W)	\$13.95	TR20	\$10.90
SI 8(Socket for above)	.95		
SI 1030G(30W)	\$19.00	TR30	\$12.90
SI 1050G(50W)	\$27.80	TR50	\$17.90
SI 10(Socket for above)	.95		

* Note: One Transformer can power two audio amplifiers.

5% CARBON FILM RESISTORS

1/4 Watt \$1.69 per 100
1/2 Watt \$1.79 per 100

All values from 10Ω to 10MΩ Only in multiples of 100 pieces per value

ANCORNA

Send your check or money order to:

P.O. Box 2208P, Culver City, CA 90230. California residents add 6% sales tax. Minimum Order: \$10.00. Add \$1.00 to cover postage and handling. Master Charge and Visa welcomed. Please include your charge card number, interbank number and expiration date.

PHONE ORDERS (213) 641-4064

TUCSON	CULVER CITY	SANTA ANA	PORTLAND
4518 E. Broadway Tucson, AZ 85711 (602) 881-2348	11080 Jefferson Blvd Culver City, CA 90230 (213) 390-3595	1300 E. Edinger Ave Santa Ana, CA 92705 (714) 547-8424	1125 N. 82nd Ave Portland, OR 97220 (503) 254-5541
SUNNYVALE	ATLANTA	HOUSTON	
5555 Fraser St Sunnyvale, CA 94087 (604) 324-0707	1054 E. El Camino Real Sunnyvale, CA 94087 (408) 243-2141	3330 Piedmont Rd. N.E. Atlanta, GA 30305 (404) 261-7100	2649 Richmond Houston, TX 77098 (713) 529-3489

C/MOS (DIODE CLAMPED)

4001	22	4023	22	4069	45	74C93	95
4007	22	4024	76	4071	70	74C151	175
4007	45	4027	85	4078	30	74C157	125
4010	35	4078	80	4520	100	74C165	125
4011	22	4029	96	74C08	37	74C173	130
4003	22	4030	22	74C022	27	74C174	130
4013	40	4035	97	74C03	20	74C180	120
4014	120	4042	85	74C10	27	74C193	140
4015	100	4044	85	74C20	27	74C193	140
4016	45	4049	75	74C42	30	74C190	130
4017	105	4050	45	74C73	75	74C194	130
4018	90	4051	110	74C75	75		
4019	45	4053	110	74C83	130		
4020	110	4055	140	74C90	50		
4021	110	4066	70	74C90	95		
4022	100						

PRINTED CIRCUIT BOARD

4" x 6" DOUBLE SIDED EPOXY BOARD 1/16" THICK
S 60 ea 5/\$2.60

7 WATT LD-65 LASER DIODE IR \$8.95

3N 3820 P FEET \$ 45
2N 1457 N FEET \$ 45
2N2646 UIC \$ 45
ER 900 TRIG GER DIODES 4 \$1.00
2N 6128 PHOG UIC \$ 65

MINIATURE MULTI-TURN TRIM POTS

100, 1K, 2K, 5K, 10K, 20K, 50K
200K, 1Meg, 2Meg, 5.75 each 3/\$2.00

25 watt Infra Red Pulse (1SG 2006 equiv.) Laser Diode (Spec sheet included) \$24.95

VERIPAX PCB BOARD \$12.95

Our new Prototyping is a hi density 4 1/2" x 6 1/2" single sided 1/16" epoxy board. It will hold 40, 24, 16, 134 units, 14 A, B pin IC's. There are three buses, -5V, ground and a floating bus. There is a pad for a T220 regulator. There is a 22 pin edge connector with 136" spacing.

TRANSISTOR SPECIALS

2N6232 NPN SWITCHING POWER	\$ 1.95
MRF 8004 a CB RF Transistor NPN	\$ 1.00
2N3172 NPN Si TO 18	\$ 1.00
2N1546 PNP GE TO 3	\$.75
2N4906 PNP Si TO 18	\$ 1.15
2N5086 PNP Si TO 18	4 \$ 1.00
2N3137 NPN Si RF	\$.55
2N3919 NPN Si TO 18 RF	\$ 1.50
2N1420 NPN Si TO 5	3/\$ 1.00
2N3767 NPN Si TO 18	\$ 1.00
2N3227 NPN Si TO 18	\$ 1.00
2N3906 NPN Si TO 18	\$.60
2N3904 NPN Si TO 9	6/\$ 1.00
2N4906 PNP Si TO 9	6/\$ 1.00
2N5296 NPN Si TO 220	\$.55
2N6100 PNP Si TO 220	\$.50
2N6102 PNP Si TO 18	5 \$.50
MPSA 13 NPN Si	\$ 1.00

TTL IC SERIES

7400	22	7450	21	75491	105
7401	22	7459	41	75492	105
7402	22	7460	21	75493	115
7403	22	7474	42	74195	87
7404	22	7476	87	74197	82
7405	22	7485	65	74191	82
7406	33	7480	16	74189	70
7408	27	7493	87	74182	87
7409	22	7495	65	74154	27
7410	22	7486	47	74165	44
7411	27	7489	87	74113	80
7412	21	7492	83	74116	97
7413	54	7481	87	74115	77
7414	90	7497	64	74117	112
7415	33	7493	64	74117	112
7417	37	7494	100	74180	97
7420	27	7491	97	74181	88
7421	67	7496	21	74180	90
7426	43	7410	47	74181	127
7427	42	7421	86	74192	78
7428	22	7422	80	74193	78
7429	33	7423	62	74194	70
7430	35	7424	60	74195	75
7431	104	74118	185	74242	97
7445	97	74150	150	74268	93
7447	87	74152	91	75363	187
75388	102	75322	179	75325	265

DATA CASSETTES 1 1/2 HR \$ 95

14 pin headers 3/\$1.00

MM53B7AA CLOCK CHIPS \$ 95.95
M5376P CLOCK CHIPS \$ 3.50
MM5369 CLOCK CHIPS \$ 3.75

NO 30 WIRE WRAP WIRE SINGLE STRAND 100/\$1.50

ALCO MINIATURE TOGGLE SWITCHES
MTA 106 SPD1 \$.95
MTA 206 DDD1 \$ 1.70
MTA 206 P DDD1 CENTER OFF \$ 1.85
MTA 206 P DDD1 CENTER OFF LEVER SWITCH \$ 1.85

Full Wave Bridges

PRV	2A	6A	25A	8 PIN 17 24 PIN 35
100			1.43	13 PIN 20 28 PIN 40
200	1.82	1.37	2.20	18 PIN 25 30 PIN 60
300	1.04	1.65	3.30	16 PIN 25
600	1.32	1.92	4.40	

SANKEN AUDIO POWER AMPS

SI 1010 G 10 WATTS	\$ 7.80
SI 1020 G 20 WATTS	\$ 15.70
SI 1050 G 50 WATTS	\$ 28.50

TANTALUM CAPACITORS

22UF 35V 5/S1.00	6.8UF 35V 4/S1.00
47UF 35V 6/S1.00	10UF 50V 2.50
68UF 35V 5/S1.00	22UF 25V 3.40
10UF 35V 5/S1.00	15UF 35V 3/S1.00
2.2UF 20V 4/S1.00	30UF 6V 5/S1.00
3.3UF 20V 4/S1.00	150UF 15V 5.95
4.7UF 15V 5/S1.00	58UF 15V 5.50

CALL FOR AVAILABILITY & PRICING

74LS SERIES	LINEAR CIRCUITS
74LS00	74LS138
74LS02	LM 301 748 75
74LS03	LM 307 75
74LS04	LM 308 75
74LS05	LM 311 75
74LS08	LM 318 - 1.70
74LS10	LM 324 95
74LS12	LM 339 1.1

FAIRCHILD RED LED LAMPS

•FLV5057 Medium Size Clear Case REEMITTING These are not retested off-spec units as sold by some of our competition These are factory prime first quality new units



10 FOR \$1.19
50 FOR \$4.95

"WE BOUGHT 250,000 PCS."

"THE COLOSSUS"

FAIRCHILD SUPER JUMBO LED READOUT

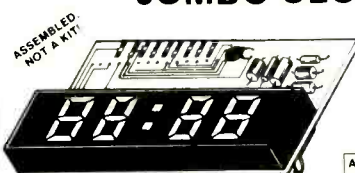
A full .80 inch character. The biggest readout we have ever sold! Super efficient. Compare at up to \$2.95 each from others!

YOUR CHOICE \$1.49 EA

FND 847 Common Anode
FND 850 Common Cathode **(6 for \$6.95)**

**NATIONAL SEMICONDUCTOR
JUMBO CLOCK MODULE**

MILITARY TIME FORMAT! **MA1008D BRAND NEW!**



\$4.95
\$7.95

REG. \$9.95

ADD \$1.95 FOR AC XFMR

- FEATURES**
- FOUR JUMBO .80 INCH LED DISPLAYS
 - 24 HR REAL TIME FORMAT
 - 24 HR ALARM SIGNAL OUTPUT
 - 50 OR 60 HZ OPERATION
 - LED BRIGHTNESS CONTROL
 - POWER FAILURE INDICATOR
 - SLEEP & SNOOZE TIMERS
 - DIRECT LED DRIVE (LOW RFI)
 - COMES WITH FULL DATA

ZULU
50% OFF SALE!

PERFECT FOR USE WITH A TIMEBASE.

COMPARE AT UP TO TWICE OUR PRICE!

MANUFACTURER'S CLOSEOUT!

**16K DYNAMIC RAM CHIP
WORKS IN TRS-80 OR APPLE II**

16K X 1 Bits. 16 Pin Package Same as Mostek 4116-4. 250NS access 410 NS cycle time. Our best price yet for this state of the art RAM 32K and 64K RAM boards using this chip are readily available. These are new, fully guaranteed devices by a major mfg.

VERY LIMITED STOCK!

"MAGAZINE SPECIAL" — **8 For \$79.50**

CLOCK MODULE OPTIONS

- MA1008 A and D MA1013
Switches and pot for all options
- Includes:**
- 5 push buttons
 - 1 toggle
 - 1 10K pot
 - Alarm Parts (including high impedance transducer) Much more efficient than a speaker
 - Transducer only (unbelievably loud!)
- \$2.50**
\$1.50
\$1.10

TOSHIBA POWER AUDIO AMP

5.8 Watt RMS Typical Output. 50 to 30,000 HZ ± 3 DB. For CB's, tape decks, PA's, etc. Works off of a single supply voltage from 10.5 to 18 VDC. 10 Pin plastic DIP with special built in heat sink tab. Perfect for use on 12VDC With Data.

FAIRCHILD PNP "SUPER TRANSISTOR"

2N4402 TO-92 Plastic Silicon PNP Oriver High Current VCEO=40 HFE=50 to 150 at 150 MA FT=150 MHz A super BEEFED-UP Version of the 2N3906

8 FOR \$1

G.I. FULL WAVE BRIDGE

4 AMP 600 PIV
3/4 in. Square
With Lugs, #LM-1
75¢ ea. 3 For \$2

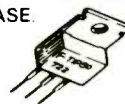
MOTOROLA POWER TRIAC

TO-220 CASE
15 AMP 400 PRV
SPECIAL. **89¢ each**
5 FOR \$3.95

COMPLEMENTARY POWER TRANSISTORS

SILICON NPN AND PNP TO-220 CASE
VCEO - 40V PD - 30 WATTS
FOR AUDIO POWER AMPS, ETC

YOUR CHOICE 3 FOR \$1



FET SALE!

2N4304 Brand New N Channel Junction Fet BVGDO-30V IDSS=15 MA Typ 1500 uMHOS TO-18 Plastic Case Mfg by Teledyne

6 FOR \$1

EXPERIMENTER'S HEATING PLATE

Large Manufacturers Surplus 5 1/2 x 10 1/2 In. Made of 3/8 in. tempered glass with heating element laminated on back. Works off 120 VAC. Protected by thermostat and two thermal fuses. Rated 120 Watts. Use for any heating applications. Perfect for heating ferric chloride to increase PC board etching efficiency. Units are brand new, non-submersible.

WHILE THEY LAST — \$2.99 each

LED BAR GRAPH AND ANALOG METER DRIVER

New from National Semi #LM3914. Drives 10 LED directly for making bar graphs, audio power meters, analog meters. LED oscilloscopes, etc. Units can be stacked for more LED's. A super versatile and truly remarkable IC. Just out!

SPECIAL PRICE: \$3.99 INCLUDES 12 Page Spec. Sheet

Digital Research: Parts

(OF TEXAS)

P.O. BOX 401247A GARLAND, TEXAS 75040 • (214) 271-2461

TERMS: Add 50¢ postage, we pay balance. Orders under \$15 add 75¢ handling. No C.O.D. We accept Visa, MasterCard, and American Express cards. Tex. Res. add 5% Tax. Foreign orders (except Canada) add 20% P & H. 90 Day Money Back Guarantee on all items.

HICKOK 3 1/2 Digit Mini-Multimeter \$69.50



Model LX 303

SENCORE TV-VTR-MATV and Video Analyzer



Model VA48

\$875.00 Reg. \$975.00

ESL CONTINENTAL SPECIALTIES 100 MHz 8-Digit Counter \$119.00

• 70 Hz 100 Mhz Range • 8 LED Display • Auto, Manual • Includes 100 Hz. signal generator



Model MAX 100

Now Available PS500 500MHZ Prescaler \$52.95

Sinclair PDM35 digital MultiMeter \$52.95



\$52.95

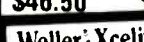
BK PRECISION 3 1/2-Digit Portable DMM

• Overhead Protected • Battery or AC operation • 3 1/2 High LED Display • Auto Zeroing

Model 2800

comes complete with test leads, operating manual and spare fuse

Ungar Heat Gun \$46.50



Reg. \$65.00

Model 99SM

\$42.95

Service Master Attache Style Tool Kit

Model 99SM

\$269.95

Tool Cases

MODEL TC 100/ST

Reg. \$283.00

\$269.95

Roll Kit \$15.95

Model 99PR

\$15.95

Logic Monitor

Model LM 1

\$52.95 complete

Logic Monitor

• Automatically displays static and dynamic logic • Works with DTL, HTL, TTL and CMOS • 16 LED display • Circuit powered design

Model LM 1

\$52.95 complete

WAHL NEW ISO-TIP "Quick Charge" \$27.95



Model 7800

\$27.95

Model 7500 Cordless Soldering Iron \$17.95

Model 8800 Thermal Splice Gun/Hot Tester \$22.50

BK PRECISION Dual-Trace 5" 30MHz Triggered Scope \$149.15

Model 210

\$169.15

HICKOK Function Generator \$169.15

Model 210

\$169.15

Weller Controlled Output Soldering Station \$45.00

Model WTCP-N

Reg. \$75.00

FREE 1979 Catalog

Call TOLL FREE (800) 645-9518

For N.Y. State call (516) 752-0050

MasterCharge • Bank Americard • COD • Check • Money Order Add \$3.00 for shipping and insurance

C.O.D. & Extra New York State residents add approx sales tax

6" x 9" 3-Way Speaker \$14.95



Model 7800

\$14.95

platt Attach Tool Case with 2 Removable Pallets \$65.00

Model 600T

\$65.00

In-Dash AM/FM 8 Track Stereo \$52.50

Model 1827

\$52.50

AM/FM Cassette Stereo \$57.50

Model CAS 888

\$57.50

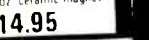
BSR Changer Accessories \$29.95



Model BSR 129

\$29.95

Weller Xcelite



Model 99SM

\$42.95

Leader Instruments Corp 20 Mhz. Dual Trace \$654.50

Model L 80 508

\$654.50

with accessories

Reg. \$769.95

Model MG 10A

\$49.50

Reg. \$139.00

30MHz Portable Frequency Counter \$59.95

Model 3-Way

\$59.95

"We Will Beat Any Advertised Price"

FORDHAM

855R Conklin St Farmingdale, N.Y. 11735

Operation Assist

If you need information on outdated or rare equipment—a schematic, parts list, etc.—another reader might be able to assist. Simply send a postcard to Operation Assist, POPULAR ELECTRONICS, 1 Park Ave., New York, NY 10016. For those who can help readers, please respond directly to them. They'll appreciate it. (Only those items regarding equipment not available from normal sources are published.)

Control Data Corp., model 5A5/5A6 computer terminal. Schematic and operation manual needed. John Renwick, 1701 N. Fenmore, Camarillo, CA 93010.

Bryant Computer Products series 9000 computer modules. Need manuals, schematics or interconnection data. Paul Bazyl, 843 Loomis St., Jackson, MI 49202.

Allied model AX-190 or SW-190 receiver. Need manual and schematics. M. Marmer, 2749 Symphony Way, Dayton OH 45449.

RCA model WR-59C TV sweep generator. Need calibration and operation manuals. Bob Brandel, Rose Hulman Institute of Technology, Box 927, 5500 Wabash, Terre Haute, IN 47803.

Hallcrafters model S-72 shortwave receiver. Schematic and any available information. Tim Badgett, Route 4, Box 107B, King, NC 27021.

Philo model 42-321 AM radio. Need schematic and 3 pole resistor with heatsink #33-3408-3. Mark Chambers, Box 1142, Beckley, W. VA. 25801.

Tektronix type 545 oscilloscope. Need manual and schematics. Phil King, 313 Strauss Ave., Johnstown, PA 15905.

Precision series EV-20, VTVM multi-range test set. Need schematic, operation manual and panel meter. W.J. Arnold, 575 Main St., #1309, Roosevelt Island, NY 10044.

Admiral model 1881P, serial #15987310 black and white

TV. Need schematic and any other information. Martin Tier, 95 Church St., Nutley, NJ 07110.

Computer Measurements Company model 726B frequency counter/timer. Need schematic, operating instructions and any other information. Al Gulseth, 107 1/2 S. Walter, Apt. B, Poteau, OK 74953.

Kenwood model KR-44SL stereo receiver. Need schematic. Charles W. Fox III, 211 Pine Ridge Ct., Wake Forest, NC 22587.

Hammarlund model FM 50A V.H.F. transceiver. Schematic and operation manual. Pete Sabio, 104 Columbia Drive, Williamsville, NY 14221.

Telegquipment model S31 oscilloscope. Manual, schematics and any available information. Dwight Sloan, Rt. 1, Box 251, Kannapolis, NC 28081.

Alwa model TPR-3010A cassette. Need schematic. John Morgan, 3008 Ozark Rd., Chattanooga, TN 37415.

Telefunken Co., type VF-14 tube. Thom Roy, 2902 W. Gary, Santa Ana, CA 92704.

Superior Instruments Co., model TV-11 tube tester. Need roll chart. Raul Lugo, 1001 Garden St., Hoboken, NJ 07030.

Tektronix model 545 oscilloscope. Operation manual and schematic. Roger Smith, Jr., 601 Washington St., Holliston, MA 01748.

Knight model 32W stereo amplifier. Need tube layout and schematic. Raul Lugo, Box 7160, Jersey City, NJ 07307.

Electro Instruments model 350 oscilloscope. Need maintenance manual. Harlan Feinders, Box 373, Cornell, WI 54732.

Dage model 65A-3 TV camera. Need schematic. James M. Zacher, 15 W. Cypress, Arlington Hts., IL 60005.

Precision Apparatus Co., type 300 sine/square-wave generator. Need operating and technical manuals and schematics. John J. O'Farrell, Jr., 2525 N. Alvernon Way, C-6, Tucson, AZ 85712.

Graham Research Inc., model 51 coil and condenser tester. Need operations manual and schematic. Jerry Lively, c/o B. C. Hydro, Shelalath, B.C. Can. VON 3C0.

Precise Development Corp., model 300 oscilloscope. Need operations manual and schematic. Richard F. Roggeveer, 5569 Dunsbury Ct, San Jose, CA 95123.

Hammarlund model HQ170 receiver. Need manual and schematic. Daniel Marchesani, 330-69th St., Guttenberg, NJ 07093.

Peerless model RL-28 lamp radio. Need schematic. Fred Nickel, 5868 Bartram Circle North, Jacksonville, FL 32207.

New Jersey Electronics model RB50-1.5 power supply. Need schematics. G. M. Pavicek, 3917 Ardmore Dr., San Diego, CA 92111.

Grundig model TK 145 tape recorder. Need schematic and operation manual. Robert A. Thompson, 2212 Windmill Ct., Columbia, MO 65210.

Polarad model KS-57990L2 video monitor. Need service manual or schematic. A. Kaiser, 713 Marlowe Rd., Cherry Hill, NJ 08003.

General Radio model 583-A audio output meter and military TS175C/U frequency meter. Operation manuals needed. J. A. Call, 1876 E. 2990 S., Salt Lake City, UT 84106.

Precision model 960-S transistor and crystal diode tester. Schematic and operating instructions needed. Guy Edwards, 104 Hancock, San Francisco, CA 94114.

RCA model S4/055 VOM. Need schematic. C. Koutalos, 275 Herkimer St., Hamilton, Ontario, Can. L8P-2H8.

Analog Instruments Corp., type 1100 or 1120 oscilloscope and type 700 plug-in. Need manual and schematics. J. O. Dickinson, 1408 Monmouth Ct. West, Richmond, VA 23233.

Electronic Counters, Inc. model 5101 pulse generator. Need schematic and operations manual. Russell Steele, 836 Gayle St., Papillion, NE 68046.

SPECIAL Summer sale CONTINUED...

Part of preparing for the Fall is making room for a bunch of new products, so we're clearing out some of our inventory at reduced prices. Limited quantities on all items.

16K MEMORY EXPANSION CHIP SET ~~\$109~~ \$87.20

20% off one of our all-time best sellers. For Radio Shack-80, Exidy Sorcerer, Apple computers. 250 ns access time, low power parts, DIP shunts included, 1 year limited warranty, and easy-to-follow instructions that make memory expansion a snap.

MA1003 CLOCK MODULE ~~\$16.50~~ \$13.20

20% off our very best clock module. Internal crystal timebase, fluorescent readouts that don't wash out, simple assembly (just add 2 time-set switches and +12V DC), much more. Perfect for car, mobile use (documentation included). Matching case with mounting hardware & optical filter. add \$5.95.

WE BREAK THE 1c/BYTE BARRIER!!

We're offering low power 21L02 1K static memory chips, guaranteed to run with any 2 MHz system, at the very low price of 10¢/9.90...that's under 1¢ per byte! Stock up now, we can't predict how much longer we'll have the last of these prime parts available for sale.

LOW POWER-FULLY STATIC COMPUTER MEMORY PRICES SLASHED. S-100 32K \$529, 24K \$398, 16K \$269!

Econoram* unkits are now at their lowest prices ever. Unkits come with all sockets and bypass caps pre-soldered in place, making completion a simple one-evening project. Now those on a budget can enjoy CompuPro/Econoram quality... same 1 year warranty and great specs as our regular boards. All boards except Econoram VI run with 4 MHz systems.

Econorams are also available assembled and tested, or qualified under our high-reliability Certified System Component (CSC) program (200 hour burn-in, immediate replacement in event of failure within 1 year of invoice date). Refer to chart for pricing.

Name	Bus	Unit	Asm	CSC
8K X 8 Econoram IIA	S-100	\$149	\$179	\$239
16K X 8 Econoram IV	S-100	\$269	\$329	\$429
12K X 8 Econoram VI	H8	\$200	\$270	n/a
16K X 8 Econoram VIIA-16	S-100	\$279	\$339	\$439
24K X 8 Econoram VIIA-24	S-100	\$398	\$485	\$605
16K X 8 Econoram IX	Dig Grp	\$319	\$379	n/a
32K X 8 Econoram IX	Dig Grp	\$559	\$639	n/a
32K X 8 Econoram X	S-100	\$529	\$649	\$789
32K X 8 Econoram XI	SBC	n/a	n/a	\$1050

BANK SELECT (for Alpha Micro Systems, Marinchip, etc.)

16K X 8 Econoram XII-16**	S-100	\$329	\$419	\$519
24K X 8 Econoram XII-24**	S-100	\$429	\$539	\$649
32K X 8 Econoram XIII**	S-100	\$559	\$699	\$849

*Econoram is a trademark of Godbout Electronics
**Econoram XII-16 and -24 have 2 independent banks addressable on 16K boundaries; Econoram XIII has 2 independent banks addressable on 16K boundaries.

TERMS: Cal. res. add tax. Allow 5% shipping, excess refunded; orders under \$15 add \$1 handling. VISA /Mastercharge call 24 hr. order desk at (415) 562-0638. COD OK with street address for UPS.


GODOBOUT

BILL GODBOUT ELECTRONICS
BOX 2355, OAKLAND AIRPORT, CA 94614

FREE FLYER: Whether you're a computer user, electronic musician, experimenter, or mad scientist, we have bargains for you... and they're all listed in our flyer (including lots of specials that are too provocative to put in family magazines such as this). Send us your name and address; add 41¢ in stamps for 1st class delivery.

FREE! EDMUND SCIENTIFIC CATALOG

Explore Astronomy, Biofeedback, Computers, Health, Lasers, Magnets, Microscopes, Optics, Photography, Weather... Over 4,000 Fascinating Items, More Than 60 Colorful Pages, The Exciting FREE Edmund Catalog!



38 Years of Service! No. 108 Edmund Scientific Co. 1979

Yes! Rush me your FREE Catalog so that I can explore Edmund's World of Science.

Name _____
Address _____
City _____
State _____ Zip _____

Clip and Mail Coupon Today to:
Edmund Scientific Co., AV18
Edscorp Bldg., Barrington, N.J. 08007

CIRCLE NO. 28 ON FREE INFORMATION CARD

Electronics Classified

REGULAR CLASSIFIED: COMMERCIAL RATE: For firms or individuals offering commercial products or services, \$2.50 per word. Minimum order \$37.50. **EXPAND-AD® CLASSIFIED RATE:** \$3.75 per word. Minimum order \$56.25. Frequency discount: 5% for 6 months; 10% for 12 months paid in advance. **PERSONAL RATE:** For individuals with a personal item to buy or sell, \$1.50 per word. No minimum! **DISPLAY CLASSIFIED:** 1" by 1 column (2-1/4" wide), \$300. 2" by 1 column, \$600.00. 3" by 1 column, \$900.00. Advertiser to supply film positives. For frequency rates, please inquire. **GENERAL INFORMATION:** Ad copy must be typewritten or clearly printed. Payment must accompany copy except when ads are to be billed on credit cards — American Express, Diners Club, Master Charge, VISA (supply expiration date) — or when ads are placed by accredited advertising agencies. First word in all ads set in caps. All copy subject to publisher's approval. All advertisers using Post Office Boxes in their addresses **MUST** supply publisher with permanent address and telephone number before ad can be run. Advertisements will not be published which advertise or promote the use of devices for the surreptitious interception of communications. Ads are not acknowledged. They will appear in first issue to go to press after closing date. Closing Date: 1st of the 2nd month preceding cover date (for example, March issue closes January 1st). Send order and remittance to Classified Advertising, **POPULAR ELECTRONICS**, One Park Avenue, New York, N.Y. 10016. For inquiries, contact Linda Lemberg at (212) 725-3924.

FOR SALE

FREE! Bargain Catalog—i.c.'s. LED's, readouts, fiber optics, calculators parts & kits, semiconductors, parts. Poly Paks, Box 942PE, Lynnfield, Mass. 01940.

GOVERNMENT and industrial surplus receivers, transmitters, sniperscopes, electronic parts, Picture Catalog 25 cents. Meshna, Nahant, Mass. 01908.

LOWEST Prices Electronic Parts. Confidential Catalog Free. KNAPP, 4750 96th St N., St. Petersburg, FL 33708.

ELECTRONIC PARTS. semiconductors, kits. **FREE FLYER.** Large catalog \$1.00 deposit. **BIGELOW ELECTRONICS**, Bluffton, Ohio 45817.

RADIO—T.V. Tubes—36 cents each. Send for free catalog. Cornell, 4213 University, San Diego, Calif. 92105.

AMATEUR SCIENTISTS. Electronics Experimenters, Science Fair Students... Construction plans — Complete, including drawings, schematics, parts list with prices and sources... Robot Man — Psychedelic shows — Lasers — Emotion/Lie Detector — Touch Tone Dial — Quadraphonic Adapter — Transistorized Ignition — Burglar Alarm — Sound Meter... over 60 items. Send \$1.00 (no stamps) for complete catalog. Technical Writers Group, Box 5994, University Station, Raleigh, N.C. 27650.

SOUND SYNTHESIZER KITS—Surf \$14.95, Wind \$14.95, Wind Chimes \$19.95, Musical Accessories, many more. Catalog free. **PAIA Electronics**, Box J14359, Oklahoma City, OK 73114

TELETYPE EQUIPMENT. Copy Military, Press, Weather, Amateur, Commercial Transmissions. Catalog \$1.00. **WEATHER MAP RECORDERS:** Copy Satellite Photographs, National-Local Weather Maps. Learn How! \$1.00. Alliantic Sales, 3730 Nautilus Ave., Brooklyn, NY 11224. Phone: (212) 372-0349.

WHOLESALE C.B., Scanners, Antennas. Catalog 25 cents. Crystals: Special cut, \$4.95. Monitor \$3.95. Send make, model, frequency. **G. Enterprises**, Box 461P, Clearfield, UT 84015.

BUILD AND SAVE TELEPHONES, TELEVISION, DETECTIVE, BROADCAST Electronics. We sell construction plans with an Engineering Service. Speakerphones, Answering Machines, Carphones, Phonevision, Dialers, Color TV Converters, VTR, Games, \$25 TV Camera, Electron Microscope, Special Effects Generator, Time Base Corrector, Chroma Key, Engineering Courses in Telephone, Integrated Circuits, Detective Electronics. **PLUS MUCH MORE.** NEW Super Hobby Catalog PLUS year's subscription to Electronic News Letter, \$1.00. Don Britton Enterprises, 6200 Wilshire Blvd., Los Angeles, Calif. 90048.

NAME BRAND Test Equipment. Up to 50% discount. Free catalog. **Salen Electronics**, Box 82, Skokie, Illinois 60077.

NAME BRAND TEST EQUIPMENT at discount prices. 72 page catalogue free. Write: Dept. PE, North American Electronics, 1468 West 25th Street, Cleveland, OH 44113.

UNSCRAMBLERS FOR any scanner. Several models available. Free literature. **Capri Electronics**, 8753T Windom, St. Louis, MO 63114.

UNSCRAMBLER KIT. Tunes all scramble frequencies, may be built-in most scanners, 2-3/4 x 2-1/4 X 1/2. \$19.95. Factory built Code-Breaker. \$29.95. Free Catalog; **KRYSTAL KITS**, Box 445, Bentonville, Ark. 72712. (501) 273-5340.

B&K Test Equipment. Free catalog, Free Shipping. Dinosaur discounts. **Spacetrone-AZ**, 948 Prospect, Elmhurst, IL 60126.

POLICE/FIRE SCANNERS. crystals, antennas, CBs, Radar Detectors. **HPR**, Box 19224, Denver, CO 80219.

CB RADIOS. VHF-UHF Scanners, Crystal, Antennas, Radar Detectors. Wholesale. **Southland**, Box 3591, Baytown, TX 77520.

SpeakerGuts.



The absolute latest in advanced speaker technology. **Wave Aperture™ Drivers, the Patented Nestroic Wooler System™**, raw speaker components selected for their excellence. Horns, crossovers, subwoofers, woofers, midranges, horn and dome tweeters. Over 30 in all. Build your own speaker system and we'll provide top quality speakers and design information. Send for **FREE** 48 page color catalog from the largest, most experienced speaker kit manufacturer in the world. **DON'T DELAY. Write today!**



UNSCRAMBLE CODED MESSAGES from Police, Fire and Medical Channels. Same day service. Satisfaction guaranteed. **Don Nobles Electronics, Inc.**, Rt. 7, Box 265B, Hot Springs, Arkansas 71901. (501) 623-6027.

MONTHLY PICTURE FLYER. Quality Surplus Electronic parts. Low Prices. **Star-Tronics**, Box 683, McMinnville, OR 97128.

PRINTED CIRCUIT supplies, chemicals, tools, artwork, plating solutions. Major credit cards. Catalog \$1.00, refundable. **CIRCOLEX**, Box 198, Marcy, NY 13403.

RECONDITIONED TEST EQUIPMENT \$1.00 for catalog. **WALTER'S TEST EQUIPMENT**, 2697 Nickel, San Pablo, CA 94806, (415) 758-1050.

NEGATIVE ION GENERATORS AND ACCESSORIES. (Kits). Fascinating details—\$1.00. **Golden Enterprises**, Box 1282-PE, Glendale, Arizona 85311.

Super Powerful Wireless Mic

10 times more powerful than other mics
Transmits up to 1/4 mile to any FM radio
Easy to assemble kit. 15V battery (not incl.)
Call (305) 725-1000 or send \$18.95 + \$1.00 shipping to **USI Corp.**, P.O. Box PE-2052, Melbourne, FL 32901. C.O.D.'s accept. For catalog of transmitters, voice scramblers and other specialty items, enclose \$2.00 to **USI Corp.**

\$18.95
Qty. 0-51. Avail.

TRANSISTORS, IC's, RF-Power. for communications, TV, audio repairs, 2SC756A - \$2.00, 2SC1307 - \$2.15. 2N6084 - \$14.50, STK439 - \$8.75. Many more. Free catalog. **B&D Enterprises**, Box 32, Mt. Jewett, PA 16740. (814) 837-6820.

PRINTED CIRCUIT BOARDS, your artwork, 45¢ sq. in. single sided, 60¢ sq. in. double sided. Mail your order now, or send for free details. **Digitronics, P.O. Box 2494, Toledo, OH 43606.**

LOW COST ELECTRONIC PARTS!!! Send for **FREE** flyer. **ALL ELECTRONICS CORP.**, 905 S. Vermont Ave., Dept. F, Los Angeles, CA 90006.

DB-100—ADJACENT CHANNEL FILTER—most incredible filter ever offered to civilian market. Replaces any .455 K.C.I.F. filter to increase selectivity up to 100 DB's. Works on any receiver, transceiver, etc., using .455 K.C.I.F. Free fact sheet, or send \$29.95. **SSB Publications**, Box 960, Hyannis, MA 02601.

ELECTRICAL: testers, books, tools, supplies. Do It Yourself, professional. Free 108 page catalog. **Bluffton Products**, Dept. A, Box 87, Bluffton, OH 45817.

ELECTRONIC TEST EQUIPMENT. Free catalog. **E. French**, PO Box 249, Aurora, IL 60507.

CARBON FILM RESISTORS 1/4W, 1/2W - 1.7 cents each. Free sample/specifications. Other components. **COMPONENTS CENTER**, Box 295, W. Islip, New York 11795.

AUDIO NOISE REDUCTION KIT — 318 SILENCER for tapes, records, FM. Free brochure. **LOGICAL SYSTEMS**, 3314 'H' St., Vancouver, Washington 98663.

LATEST AND BEST in electronic components, books and supplies. Write for big free catalogue. **TRI-TEK**, 7808 N 27 Ave., Phoenix, AZ 85021.

BARGAINS GALORE! Monthly swap sheet for radio collectors, hams, experimenters, etc. Send long SASE for sample. **Electronics Trader**, Box 2377, Argus, CA 93562.

SWL'S: Tune in on the exciting world of Radioteletype and Morse transmissions of international news bulletins, weather, ships, and foreign embassy traffic. Code Translator Video Display unit hooks directly to your shortwave receiver \$495. Video monitor \$199, or use your TV with RF modulator \$30. Instruction manual, drawings \$5. **ODS**, Box 2346, Gaithersburg, Maryland 20860.

SELLING RIDER'S MANUALS. Sams' Photofacts. Supreme Publications, individual Service Diagrams. **Beitman**, Box 46, Highland Park, IL 60035.

FREE SAMPLE of optical fiber if you send for our catalog of fiber optic and electronic supplies. **FIBERTRONICS**, Box 322, Primos, PA 19018.

PRICE BREAKTHROUGH! NEGATIVE ION GENERATORS. "The Incredible Fresh Air Machine". Car or Indoor model. No-risk home trial. Free details: **Aircon**, POB 2312PE, Evansville, IN 47711.

AMAZING No-Touch Light Switch. A wave of your hand activates lights, lamps, radio, appliances, etc. Free brochure. **DMD Scientific**, Box 6251-F, Flint, MI 48508

SAVE 30% AND MORE—on microcomputer products from all the finest manufacturers. Write and ask for our "Spring Clearance Special." **Computer Enterprises**, P.O. Box 71, Fayetteville, NY 13066.

SATELLITE TV

GET 50 CHANNELS!

It's all true! No matter where you live receive movies sports, pay television sports from around the world 24 hour programming "Crystal clear reception" For complete information sources and design information send \$7.95

SPACECOAST RESEARCH
Dept. D, P. O. Box 442, Altamonte Springs, FL 32701

TREMENDOUS BUYS In New And Gov't Surplus Equipment

Dial Telephone "SUPER BUY"

Save us the labor costs of cleaning and polishing and save \$555 on standard dial telephones. Work on any commercial system. Complete (no parts missing) in good working order. Your choice of desk or wall models. These are take-outs from commercial service (not toys) Instructions furnished.

\$7.95 PREPAID IN U.S.A.
Does not include: HARVEST ALASKA P.B.
PRICE EACH

FREE CATALOG Shows **BIG SAVINGS** On

- ELECTRONICS • ELECTRICAL • ALARM SYSTEMS • TELEPHONES • PUMPS
- BINOCULARS • CAR MOTORS • WINCHES • SURVEYING INSTRUMENTS
- GENERATORS • COMPRESSORS • HYDRAULICS • POWER TOOLS • WELDERS
- POWER PLANTS • CHEMICAL SPRAYING • TAPFAULING • MANY OTHERS

Surplus Center Box 82209-PE Lincoln, Ne. 68501

NEW ELECTRONIC PARTS. Continuously stocked. Stamp brings catalog. Daytapro Electronics, 3029 N. Wilshire Ln, Arlington Hts., IL 60004.

FREE! CATALOG — SPECIAL GIFTS WITH ALL ORDERS. U.S.A. lowest prices, brand new electronic parts, TV games from \$13.95, and more at bargain prices. What A Buy — Unbelievable. Mail-A-Rama, Box A-85, 525 Bergen Ave., Jersey City, NJ 07034.

USED AMATEUR RADIO EQUIPMENT FOR SALE. Nationwide list \$2.50. Amateurs Exchange, Box 374-PE, Visalia, CA 93279.

PLANS AND KITS

AMAZING ELECTRONIC PRODUCTS

LASERS SUPER POWERED. RIFLE, PISTOL, POCKET - SEE IN DARK - PYRO-TECHNICAL, DE-BUGGING, UNCRAMBLERS - GIANT TESLA, STUNWAND - TV DISRUPTER - ENERGY PRODUCING, SCIENTIFIC DETECTION, ELECTROVIZING, CHEMICAL, ULTRASONIC, CB, AERO, AUTO AND MECH DEVICES, HUNDREDS MORE - ALL NEW PLUS INFO UNLTO PARIS SERVICE

INFORMATION unlimited

CATALOG \$1 Dept. E8, Box 716, Amherst, NH 03031

FREE KIT Catalog contains Test and Experimenter's Equipment. Dage Scientific Instruments, Box 1054P, Livermore, CA 94550.



TIGER 500 SIMPLI-KIT

FOR THE DO-IT-YOURSELFER

NOW! a high quality CD ELECTRONIC IGNITION SYSTEM in kit form. Contains all components and solder to build complete Solid-State Electronic CD Ignition System for your car. Assembly requires less than 3 hours.

- Increases MPG 15%
- Eliminates 4 or 5 tune-ups
- Increases horsepower 15%
- Instant starting, any weather
- Plugs and Points last 50,000 miles
- Dual system switch

Fits only 12 volt neg ground
Only \$26.95 postpaid

Tri-Star Corporation
P.O. Box 1727 Grand Junction, Colorado 81501

BUILD YOUR OWN SYMPHONY OF SOUND!



It's fun and easy — takes just minutes a day! Complete kits for organs, pianos, strings, rhythms, amplifiers, synthesizers. Also factory assembled. 104-page catalog \$2.00



Wersi Electronics, Inc.
Dept. ZD, 1720 Hempstead Road
Lancaster, PA 17601

TV-OSCILLOSCOPE CONVERTER externally adapts TV into audio frequency oscilloscope. Info. \$1.00. Plans \$7.50, with P.C. \$15.00, complete kit \$60.00. Evolutionics, Box 855-K, San Rafael, CA 94902.

PRINTED CIRCUIT Boards from sketch or artwork. Kit projects. Free details. DANOCINTHS Inc., Box 261, Westland, MI 48185.

TOP QUALITY IMPORTED KITS, IC's, foreign transistors. Free catalog. International Electronics, Box 567, Williamsville, NY 14221.

TELETYPEWRITER USERS: Unique solid state time delay relay. Reduces energy and maintenance costs. Information 50¢. Plans \$5.00, with P.C. \$10.00. KEITH RYAN, Box 3103-P, Ottawa, CANADA, KIP 6H7. U.S. Inquiries.

ELECTRONIC "GAS" DETECTOR PLANS including IC amplifier. Detects carbon monoxide, propane, natural gas, smoke etc. Ideal for Home, Vans, Autos, RV's. Boat Bilges or for controlling Vent Fans, Garage Door Openers etc. \$2.75. JR Industries, 5834-A Swancreek, Toledo, OH 43614.

ELECTRONICS KITS: For information, send self addressed stamped envelope. GI Kits, Box 2329, Garland, TX 75041.

BUILD DIGITAL DIAL for AM Broadcast Receivers. Simple—Inexpensive—Accurate. Information/Schematic/Layout — \$3.95. W.M. Whitley, 5603 Lemonwood, Austin, Texas 78731.

CONVERT GASOLINE CARS TO ELECTRIC. Plans \$15.00, catalog \$1.00. Convertacar, Box 1357, Plano, TX 75074.

JACOB'S LADDER — sparks climbing brightly in horror movie backgrounds. Complete plans \$2.50. Trip Engineering, Box 234, East Cambridge, Massachusetts 02141.

VHF LOOP ANTENNA and base mounted preamp. Plans \$3.00. Also kit available. TEC-PAK, P.O. Box 159, Glenshaw, PA 15116.

HIFI STEREO AMPLIFIER. Construct your own, complete pc mounts and instructions. Info \$1.00. Otel, 9626 Golf Terrace, Des Plaines, IL 60016.

PROJECTION TV . . . Convert your TV to project 7 Foot picture. Results equal to \$2,500 projector. Total cost less than \$20.00. PLANS & LENS \$16.00. Illustrated info. FREE: Macrecoma, Washington Crossing, PA 18977.

TELEPHONES & PARTS

TELEPHONES UNLIMITED, EQUIPMENT SUPPLIES. ALL TYPES, REGULAR, KEYED, MODULAR. FREE CATALOG. Call now toll free. (800) 824-7888. In California (800) 852-7777. Alaska-Hawaii (800) 824-7919. Ask for operator 738.

ALARMS

QUALITY BURGLAR-FIRE ALARM EQUIPMENT at discount prices. Free Catalog! Steffens, Box 624K, Cranford, N.J. 07016.

Burglar-Fire Protection



Protect Your Life, Home, Business, Auto, etc.

- Our catalog shows how. Install your own alarm systems and devices and save \$\$\$\$.
- We offer FREE write in engineering service.

FREE CATALOG Lowest Prices on Reliable, High-Quality Alarm Systems and Devices

Burdex Security Co. Box 82802-PE Lincoln, Ne. 68501

PROFESSIONAL Quality Alarm systems for your home. For free catalogue, write: EAC, Electronics Department, Box 7881S, Colorado Springs, CO 80933.

HIGH FIDELITY

DIAMOND NEEDLES and Stereo Cartridges at Discount prices for Shure, Pickering, Stanton, Empire, Grado and ADC. Send for free catalog. LYLE CARTRIDGES, Dept. P, Box 69, Kensington Station, Brooklyn, New York 11218. For Fast Service call Toll Free 800-221-0906.

LOWEST PRICES on stereo components. BOSE, SAE, DBX and more. Dynamic Sound, Box 168(B), Starkville, MS 39759. (601) 323-0750. 1 PM - 9 PM.

WANTED

GOLD, Silver, Platinum, Mercury, Tantalum wanted. Highest prices paid by refinery. Ores assayed. Free circular. Mercury Terminal, Norwood, MA 02062.

WANTED: Transistor radios, Wholesale. CB, HAM, AM. Doug Lane, 195 Locust Hill Dr., Rochester, NY 14618.

GOVERNMENT SURPLUS

MANUALS for Govt Surplus radios, test sets, scopes. List 50 cents (coin). Books, 7218 Roanne Drive, Washington, D.C. 20021.

JEEPS—\$59.30!! — CARS—\$33.50!! — 200,000 ITEMS!! — GOVERNMENT SURPLUS — Most COMPREHENSIVE DIRECTORY AVAILABLE tells how, where to buy — YOUR AREA — \$2.00 — MONEYBACK GUARANTEE — Government Information Services, Department GE-85, Box 99249, San Francisco, California 94109.

GOVERNMENT SURPLUS. Buy your Area. How, where. Send \$2.00. SURPLUS HEADQUARTERS BUILDING, Box 30177-PE, Washington, D.C. 20014.

"GOVERNMENT SURPLUS DIRECTORY" Buy 500,000 items (including Jeeps) . . . low as 2¢ on dollar! Most complete information available — \$2.00 (guaranteed). Surplus Disposal, Box 19107-HI, Washington, DC 20036.

TUBES

RADIO & T.V. Tubes—36 cents each. Send for free Catalog. Cornell, 4213 University, San Diego, Calif. 92105.

TUBES: "Oldies", Latest. Supplies, components, schematics. Catalog Free (stamp appreciated). Steinmetz, 7519-PE Maplewood, Hammond, Ind. 46324.

TUBES-RECEIVING, Industrial and Semiconductors Factory Boxed. Free price sheet including TV, Radio and audio parts list. Transteronic, Inc., 1365 39th St., Brooklyn, New York 11218. Telephone: (212) 633-2800. Toll free: 800-221-5802.

RADIO AND TV TUBES 1938 to 1978 \$1.00 ea. PRELLER TV, Augusta, AR 72006. (501) 347-2281.

PERSONALS

MAKE FRIENDS WORLDWIDE through international correspondence, illustrated brochure free. Hermes-Verlag, Box 110660/Z, D-1000 Berlin 11, W. Germany.

MAILORDER SUCCESS! Interested? Free exposé. TWP-V, Box 6226, Toledo, Ohio 43614.

INSTRUCTION

UNIVERSITY DEGREES BY MAIL! Bachelors, Masters, Ph.D's. Free revealing details. Counseling, Box 317-PE09, Tustin, California 92680.

LEARN WHILE ASLEEP! HYPNOTIZE! Astonishing details, strange catalog free! Autosuggestion, Box 24-ZD, Olympia, Washington 98507.

INTENSIVE 5 week course for Broadcast Engineers. FCC First Class license. Student rooms at the school. Radio Engineering Inc., 61 N. Pineapple Ave., Sarasota, FL 33577.

1979 "TESTS - ANSWERS" for FCC First Class License. Plus - "Self Study Ability Test." Proven! \$9.95 Unconditional Moneyback Guarantee. Command Productions, Box 26348-P, San Francisco, CA 94126.

RADIO BROADCASTING: Become DJ, engineer. Start your own station — investment/experience unnecessary! Receive free equipment, records, Free details. Broadcasting, Box 130-A9, Paradise, CA 95969.

FCC LICENSE over 1200 questions, answers, discussions, illustrations. 3rd, 2nd, 1st, phone, radar, broadcast, endorsements. \$14.95. SPECIFIC SKILLS INTERNATIONALE Inc., P.O. Box 1233, Cocoa, Florida 32922. Mastercharge/VISA.

UNIVERSITY DEGREES BY MAIL!!! Bachelor's, Master's, Doctorates. Free Information. Careers, Department Education, Box 10068, Washington, DC 20018.

LOANS — Former bank executive explains how to obtain loans from banks, other lenders. \$3.00. Businessman's supplement \$2.00. Sylvan Press, P.O. Box 18212, San Jose, CA 95158.

Be a COMPUTER PROGRAMMER

Learn at Home in SPARE TIME!

No Previous Experience Necessary

Computer programming is an exciting field, and here's your chance to get started! No need to quit job or school. Easy home-study course teaches you basic computer language, program design, coding, testing, documentation, applications for commercial computer systems. We show you what to do, how to do it, step-by-step. Everything explained by experts in simple, everyday language. Mail coupon today for free aptitude test.

Careers by Home Study **SEND FOR FREE FACTS MAIL THIS COUPON TODAY**

COMPUTER PROGRAMMING INSTITUTE
1112 West Olympic, Dept. A, Los Angeles, CA 90015 140

Rush free facts plus aptitude test! Tell me how I can learn Computer Programming at home in spare time. No obligation. No salesman will call.

NAME _____ AGE _____

ADDRESS _____

CITY _____ STATE _____ ZIP _____

COLLEGE DEGREES BY MAIL! No classes. Fast, Economical, Accredited. FREE Revealing details. Success, Box 12500-R9, Columbus, Ohio 43212.

LEARN ELECTRONIC ORGAN SERVICING at home. Completely revised course covers latest models including digital, LSI's, synthesizers, etc. NILES BRYANT SCHOOL, PO Box 2015, Sacramento, CA 95820.

EARN HIGH SCHOOL DIPLOMA, spare time. College-recognized. Credits given for previous courses, job experience. Low tuition. Exams repeated free. Individual counseling. State registered. Cambridge Academy, Dept. PE-2, 409 E. Ocoola, Stuart, Florida 33494. Toll-free 1-800-327-8103.

FOR INVENTORS

PATENT AND DEVELOP Your invention. Registered Patent Agent and Licensed Professional Engineer, Send for FREE PATENT INFORMATION every inventor should have. Richard L. Miller, P.E., 3612 Woolworth Building, New York, NY 10007. (212) 267-5252.

INVENTIONS WANTED

FREE CONSULTATION • NO IDEA TOO SMALL
Disclosures Protection. Cash or royalties from manufacturers seeking new ideas. For free information on how to protect your ideas. Call or Write

American Inventors Corp.

59 Interstate Dr. Dept. PE
West Springfield, MA 01089 (413) 737-5376
A Fee Based Service Company

MR. INVENTOR: America's foremost development firm offers a complete service. For free details, write: Charles S. Prince Co., Inc., Empire State Building, Suite 3308-E, N.Y.C. 10001.

EASY MONEY!! Sell your ideas! Free Information. Mandrells, Dept. PE99, Glendive, MT 59330.

BUSINESS OPPORTUNITIES

I MADE \$40,000.00 Year by Mailorder! Helped others make money! Torrey, Box 318-NN, Ypsilanti, Michigan 48197.

FREE CATALOGS. Repair air conditioning, refrigeration. Tools, supplies, full instructions. Doolin, 2016 Canton, Dallas, Texas 75201.

NEW LUXURY CAR WITHOUT COST! Free Report. Codex-ZZ, Box 6073, Toledo, Ohio 43614. (419) 865-5657.

MECHANICALLY INCLINED individuals desiring ownership of Small Electronics Manufacturing Business — without investment. Write: BUSINESSES, 92-K2 Brighton 11th, Brooklyn, New York 11235.

MILLIONS in Mail!!! Free Secrets. Transworld-17, Box 6226, Toledo, OH 43614.

MECHANICALLY INCLINED INDIVIDUALS

Assemble electronic devices in your home. Investment, knowledge, or experience not necessary. Get started in spare time. Above average profits. \$300 - \$600/Wk possible. Sales handled by others. Write for free details.

ELECTRONIC DEVELOPMENT LAB
Drawer 1560 PE, Pinellas Park, FL 33565.

\$1200.00 MONTHLY Correcting Pupils' Lessons!!! Start Immediately. Free Report. Send self-addressed stamped envelope. Home, Box 98201-SJXR, San Diego, CA 92109.

EARN EXTRA MONEY — Homeworers Needed Stuffing Envelopes! Free Details. Write: Jadeway, Box 186-ZD, Gaines, MI 48436.

ERASE DEBTS with little-known law—create wealth!! Details FREE—Blueprints, No. EE9, Box 900, Bronx, NY 10471.

GET RICH SLOWLY! How to operate your own profitable service business. Years of information and experience condensed in one easy-to-understand guide. \$9.95. ESI, 4500 East Speedway #33, Tucson, Arizona 85712.

WIN AT FOOTBALL! We beat the pointspread an incredible 70% last 11 years! CBS-TV called us No. 1 football prediction newsletter! Guaranteed winner! Free: game by game record last 4 years. Winners Sports, 5711-S 14th Ave., Brooklyn, NY 11219.

EARN \$1000 STUFFING 1000 ENVELOPES! Money back guaranteed. Details \$1.00. D. Fraser, 208 S. 4th, DeSoto, MO 63020.

BORROW \$25,000 "OVERNIGHT." Any purpose. Keep indefinitely! Free Report! Success Research, Box 29263 GI, Indianapolis, Indiana 46229.

SPARE TIME fortune in Vinyl Repair. Huge demand creates exceptional profits. Two small \$20 jobs earn you \$1,000 a month. We supply everything. Details free. VIP, 2012 Montrose, Chicago, IL 61618.

YOUR OWN COMPUTER BUSINESS. Free information. Datasearch, Dept. F, 4954 William Arnold Rd., Memphis, TN 38117.

HOMEWORKERS! Circular Mailers Wanted. Send self-addressed stamped envelope. Garrison, 94114 Pupupuhi, Waipahu, HI 96797.

TELEVISION AND STEREO REPAIR SHOP in Wyoming Boom town for sale, largest of three repair shops. Call: (307) 682-1841.

\$200 WEEKLY mailing circulars. No gimmicks. Free details. Charpost, 51 Greenleaf Lane, Cheektowaga, NY 14225.

BIG MONEY! Interested? Free disclosure. Fèbre-V, Box 6073, Toledo, Ohio 43614. (419) 865-5657.

POSITIONS OPEN

NONBROADCAST TELEVISION TECHNICIAN. University of Illinois seeking maintenance technician for small format television equipment. Starting \$13,270, raises to \$17,035 over two years, plus annual increases. Two years electronics study, two years electronic maintenance required. Contact: Don Swift, Personnel Services, University of Ill., Champaign, IL 61820. (217) 333-3109. Affirmative Action, Equal Opportunity Employer.

EMPLOYMENT OPPORTUNITIES

ELECTRONICS/AVIONICS EMPLOYMENT OPPORTUNITIES. Report on jobs now open. Details FREE. Aviation Employment Information Service, Box 240E, Northport, New York 11768.

ELECTRONIC FIELD SERVICE — Nationwide positions. Employer pays fees (312) 398-5535. Field Service Search, PO Box 544, Arlington Hts., IL 60004.

DO-IT-YOURSELF

AUDIO/ANALOG/SYNTHESIS. Plans, parts, kits, etc. for the most exciting sound projects ever. Get on our mailing list, send 25¢ to: CFR Associates Inc., Newton, N.H. 03858.

SAVE MONEY! Build your own computer. Rush \$3.95 for plans. Sina Enterprises PE860, 1960 S.W. 70 Ave., Plantation, Florida 33317.

REAL ESTATE

BIG ... FREE ... FALL CATALOG! Over 2,600 top values coast to coast!!! UNITED FARM AGENCY, 612-EP, West 47th, Kansas City, MO 64112.

MICROCOMPUTERS

TRS-80 MICRO COMPUTERS by Radio Shack* at 15% discount! Also have software for business systems. Micro Management Systems, Cairo, GA 31728. (912) 377-7120.

SPACEWAR for Level II TRS-80. Real-time action game for two players, with spaceships, torpedoes moving in adjustable orbits about the sun. The best Spacewar available, it has a 30-day unconditional guarantee. For cassette send \$15.00 to PODOSOFT, 9 Smith St., Wellesley, MA 02181.

RUBBER STAMPS

RUBBER STAMPS, BUSINESS CARDS. Many new products. Catalog Jackson's, E-100, Brownsville Rd., Mt. Vernon, Ill. 62864.

MAGNETS

MAGNETS. All types. Specials-20 disc, or 10 bar, or 2 stick or 8 assorted magnets. \$1.00. Magnets, Box 192-H, Randallstown, Maryland 21133.

BOOKS AND MAGAZINES

FREE book prophet Elijah coming before Christ. Wonderful bible evidence. MEGIDDO Mission, Dept. 64, 481 Thurston Rd., Rochester, N.Y. 14619.

BASIC ELECTRICITY AND DC CIRCUITS

1026 pages. \$19.95 Order #LCW8161. Check or money order. Texas Instruments P.O. Box 3640, M/S84 Dept. PE979, Dallas, Texas 75285. Add sales tax where applicable



TEXAS INSTRUMENTS
INCORPORATED

EXPERIMENTER'S DIRECTORY. Best buys, parts, test equip., microcomputers, phones, tech. info., more. Descriptive source listing. \$1.95 + 30¢ postage. K.M.H., 5102 Inverness, Baytown, TX 77521.

POPULAR ELECTRONICS INDEXES For 1977 now available. Prepared in cooperation with the Editors of "P/E," this index contains hundreds of references to product tests, construction projects, circuit tips and theory and is an essential companion to your magazine collection. 1977 Edition, \$1.50 per copy. All editions from 1972 onward still available at the same price. Add \$.25 per order for postage and handling. \$5.00 per copy, foreign orders. INDEX, 6195 Deer Path, Manassas, Va. 22110.

CB TECHNICIANS — now available — SSB Engineering Practice Manual. Most comprehensive book on how to modify and expand any CB radio for maximum performance and range. Includes the newest PLL radios. Free fact sheet or send \$14.95. SSB Publications, Box 960, Hyannis, MA 02601.

BACK ISSUE MAGAZINES. Free list. Send stamped envelope. Everybody's Bookshop, Dept. ZD, 317 West 6th, Los Angeles, CA 90014.

SAVE MONEY. Order Technical Data Books by Mail. Send \$1.00 for catalog to: World of Books, P.O. Box 14565, Fort Worth, Texas 76117.

HYPNOTISM

FREE Hypnotism. Self-Hypnosis. Sleep Learning Catalog! Drawer H400, Ruidoso, New Mexico 88345.

MOTION PICTURE/VIDEO FILMS

SUMMER SALE OF OUTER SPACE SCIENCE FICTION S-8 Vivid Color/Sound Films — 200' reels; box office hits #1 — "Jaws," Robert Shaw & Richard Dreyfus strike fear & terror in your heart. "Buck Rogers" (Gil Gerard), sci-fi — most famous time traveler. "Superman" (Chris Reeve) space age opticals, astronaut hero. For Sale @ \$28.95 ea*; all 3 only \$83.90 delivered. Alfred Hitchcock's "Psycho", Anthony Perkins, Janet Leigh film preserves shower scene, detective's murder & final shocking revelation. 400' S-8 B/W /Sound, \$39.90 ea*. Add Super Bowl XIII (Denver/Dallas '78) & 77 World Series (Reggie! Reggie! Reggie!) + '78 NHL Stanley Cup (Canadiens/Bruins), ea 400' Eastman Color mag sound film, \$54.90 ea*. *Add 85¢ per film for 200' reels; \$1.50 per film for 400' sound features. Ill. res. add 5% tax. New Columbia catalog (incl sports, cartoons, features + S-8 Hbk) \$1.25. Exciting Universal 64-pg glossy catalog (incl sci fi, Woody, WC Fields, fights) \$1.25. Columbia, Sportline, Ring Classics, Universal order forms. 40¢ ea. Any Questions? Call (312) 236-8955. SPORTLITE FILMS, Elect-9/79, Box 24-500, Speedway, IN 46224.

VIDEO MOVIES: all ratings; Beta, VHS. Bought, Sold, Rented, VCR's, Blank tapes, Supplies: Cat. \$1.00 (deductible). (201) 572-1222. Devoe, P.O. Box 593, Edison, NJ 08817.

MISCELLANEOUS

MPG INCREASED! Bypass Pollution Devices easily. REVERSIBLY!! Free details — Posco GEE9, 453 W. 256, NYC 10471.

NEW CAR FREE YEARLY! Workable secret method — free information: Supercar, Box 28101-N, St. Louis, MO 63119.

GASOLINE MILEAGE INCREASED DRAMATICALLY! Simplified retuning methods. Details FREE! Techneering, Box 12191 PE, Norfolk, VA 23502.

FREE PROMOTIONAL ALBUMS, concert tickets, stereos, etc. Information: Barry Publications, 477 82nd Street, Brooklyn, NY 11209.

SAVE TO 90% WEEKLY on groceries!! Guaranteed!! Information: Rush self-addressed stamped envelope plus 25¢! Martens Ent., 1046 Greenwood Ct., Rm 7PE, Oshkosh, WI 54901.

1979 Electronic Experimenter's Handbook



This latest edition includes a Micro-computer Buying Section in addition to a host of exciting construction projects with complete construction plans, parts lists, and printed circuit board patterns. PLUS—A Computer Buying Directory with product specifications, latest prices, and photos. Only \$2.50!

Order from ELECTRONIC EXPERIMENTER'S HANDBOOK, Dept. D1052, P.O. Box 278, Pratt Station, Brooklyn, NY 11205. Enclose \$3* (\$2.50 plus postage and handling). Outside U.S.A. \$3.

*Residents of CA, CO, DC, FL, IL, MI, MO, NY STATE and VT add applicable sales tax.

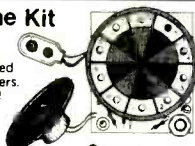
Popular Electronics

ADVERTISERS INDEX

READER SERVICE NO.	ADVERTISER	PAGE NO.
2	AP Products, Inc.	85
3	Active Electronics Sales Corp.	113
4	American Antenna	Cover 4
6	Ancona Corp.	115
7	Antenna Specialists Co.	87
8	Apple Computer	Cover 2
9	Audio-Technica U.S., Inc.	96
10	B & F Enterprises	107
11	B & K Precision, Dynascan Corp.	92
	Beckman Instruments, Inc.	2
	Chaney Electronics	121
	Cleveland Institute of Electronics, Inc.	52, 53, 54, 55
12	Colby Instruments, Inc.	107
1	Communications Electronics	102
13	Compucolor	81
14	Consumers Company	57
15	Continental Specialties Corp.	11
16	Continental Specialties Corp.	6
17	Cooper Group, The	12
65	Creative Computing Magazine	59
18	Creative Computing Magazine	59
19	Delta Products, Inc.	95
20	Digi-Key Corp.	111
	Digital Research Corp.	116
21	DSI Instruments, Inc.	22
	Edmund Scientific Co.	117
22	Electronics Book Club	9
	E-Z Circuit-Bishop Graphics	26, 27
	Fisher Corporation	44, 45
25	Fordham Radio Supply	116
26	Formula International	121
27	General Engines Co.	121
28	Godbout Electronics, Bill	117
29	Grantham College of Engineering	93
5	Heath Co.	33
30	International Correspondence School	34, 35, 36, 37
64	Illinois Audio	100
31	Integrated Circuits	110
32	International Components Corp.	114
33	J & R Music World	94
34	Jameco Electronics	108, 109
	JS & A National Sales Group	1
35	Kenwood	15
36	Koss Corporation	Cover 3
37	Maxell Corp. of America	63
38	McIntosh Laboratory, Inc.	20
	Microcomputer Mart	101
39	Microprom	61
40	Mini Micro Mart	94
41	National Camera Supply	96
	National Technical Schools	70, 71, 72, 73
42	Netronics R & D Ltd.	98
43	Netronics R & D Ltd.	99
44	Netronics R & D Ltd.	86
	NR1 Schools	16, 17, 18, 19
45	Ohio Scientific Instrument	5
46	OK Machine & Tool Corp.	91
47	Osborne & Associates	94
48	Pacom	97
	Page Digital Electronics	100
49	PAIA Electronics, Inc.	79
50	PAL "Firestik" Antenna Corp.	95
51	Percom Data Co., Inc.	7
52	Poly Paks	104
53	Quest Electronics	103
	Radio Shack	112
	Sabtronic International, Inc.	13
54	Schober Organ Corp., The	68
55	Scott, Inc., H.H.	87
	Sharper Image, The	21
	Sheldahl	107
56	Solarex	107
57	Solid State Sales	115
58	Southwest Technical Products Corp.	96
	Speakerlab, Inc.	79
59	Sprague Products Co.	68
60	Stereo Corp. of America	100
61	Technics by Panasonic	38
62	Teknion	10
63	Texas Wholesale Electronics	32

Wheel of Fortune Kit

Popular game device uses LED's, transistors & IC to give the effect of a bright red ball spinning around numbers. Unit emits a clicking sound as ball spins and finally stops on a number. Incl. all parts, faceplate & P-C board. C23806



\$ 8.99

T.V. Game Special

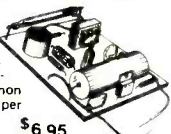
Reject "Video Olympiad" TV game units. Play 3 exciting color TV games, with on-screen digital scoring and realistic sound effects. You repair and save! C23872



\$ 8.95

Electronic Warning Flasher Kit

This battery operated device continuously emits bursts of intense light. Great for bicyclists, skiers, boaters & campers. Comes with all parts, quality PC board and easy-to-understand instructions. Uses high-output xenon flash tube which flashes 2 times per second when batteries are fresh. C23207



\$ 6.95

Strobe Kit

Complete variable rate strobe light kit. Contains all parts, line cord, PC board and instructions. 117V. C23071

\$ 7.50

6KV Trigger

COIL To fire xenon flash tubes. C23474



89¢

Strobe Tube Assortment

Brand new factory prime strobe tubes. 5 tubes, w/ schematics. C23280

\$ 3.00

Walkie Talkie

Reject units. Complete crystal controlled units w/ built-in antennas. Most are easy to fix. C23786



\$ 2.95

Calculator (reject)

Complete 4 function portable calculators w/ % key and constant function. Fix them and save. C23877



2 for \$ 5.98



• Minimum order \$5.00
• Please include \$1.00 for postage
• Visa, MC and COD accepted
• Phone orders are welcome

P.O. BOX 27038, DENVER, CO. 80227 (303) 781-5750
Send for our free giant catalog of unique items!!!

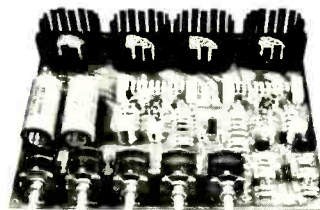
NEW MARK III 9 Steps 4 Colors LED VU



Stereo level indicator kit with arc-shape display panel!! This Mark III LED level indicator is a new design PC board with an arc-shape 4 colors LED display (change color from red, yellow, green and the peak output indicated by rose red). The power range is very large, from -30dB to +5dB. The Mark III indicator is applicable to 1 watt - 200 watts amplifier operating voltage is 3V - 9V DC at max 400 MA. The circuit uses 10 LEDs per channel. It is very easy to connect to the amplifier. Just hook up with the speaker output!

IN KIT FORM \$18.50

60W + 60W STEREO AMPLIFIER



COMPLETED UNIT—NOT A KIT!

OCL pre amp. & power stereo amp. with bass, middle, treble 3-way tone control. Fully assembled and tested, ready to work. Total harmonic distortion less than 0.5% at full power. Output maximum is 60 watts per channel at 8Ω. Power supply is 24 - 36V AC or DC. Complete unit

Assembled \$49.50 ea.
Power transformer \$ 8.50 ea.



5W AUDIO AMP KIT

2 LM 380 with Volume Control
Power Supply 6 ~ 18V DC
ONLY \$6.00 EACH

100 W CLASS A POWER AMP KIT

Dynamic Bias Class "A" circuit design makes this unit unique in its class. Crystal clear, 100 watts power output will satisfy the most picky fans. A perfect combination with the TA-1020 low T.I.M. stereo pre-amp. Specifications: *Output power: 100W RMS into 8-ohm/125W RMS into 4-ohm *Frequency response: 10Hz-100KHz *T.H.D.: less than 0.008% *S/N ratio: better than 80dB *Input sensitivity: IV max.

*Power supply:
±40V @ 5 amp.
TA-1000 KIT
\$51.95

Power transformer
\$15.00 each



LOW TIM DC STEREO PRE-AMP KIT TA-10-20

Incorporates brand-new D.C. design that gives a frequency response from 0Hz-100KHz ±0.5dB! Added features like tone defeat and loudness control let you tailor your own frequency response. Independent I.C. regulated power supplies to eliminate power fluctuation! Specifications: *THD less than .005% *T.I.M. less than .005% *Frequency response: DC to 100KHz ±0.5dB *RIAA deviation: ±0.2dB *S/N ratio: better than 70dB *Sensitivity: Phono 2mV 47K/Aux. 100mV 100K *Output level: 1.3V *Max output:



15V ± Tone control: bass ±10dB @ 50Hz/treble ±10dB @ 15Hz *Power supply: ±24 D.C. @ 0.5A. Kit comes with regulated power supply, all you need is a 48V C.T. transformer @ 0.5A
ONLY \$44.50
X'former \$4.50

WE SELL ALL KINDS OF ELECTRONIC PARTS & KITS

PLEASE SEND \$2.00
FOR DETAIL CATALOGUE

YOU MAY FIND OUR 2-PAGE AD
IN EVERY ISSUE OF
RADIO ELECTRONICS

RETAIL STORE OPEN TO PUBLIC
MONDAY THRU SATURDAY
10 a.m. - 7 p.m.

FORMULA INTERNATIONAL INC.
12503 CRENSHAW BOULEVARD
HAWTHORNE, CA 90250
(213) 679-5162 or (213) 973-1921

All items subject to prior sale.
Prices subject to change without notice.

BEAT HIGH GAS PRICES!



CALL FREE
800-257-7955



ELECTRIFY YOUR BIKE!

PEDALPOWER exciting new bike drive tames tough hills. Be independent. Shop when you want. Fits all Bikes, Adult Trikes. Installs in minutes. Thousands sold. Recharges overnight. Travels 100 miles for a dime.

MONEY BACK GUARANTEE.

Call toll free 800-257-7955*
Or send today for

**FREE ILLUSTRATED
PEDALPOWER BOOKLET**
Plus free information on complete line of Electric Cars, Electric Bikes and Trikes.

General Engines Co.
5485 Mantua Blvd.
Sewell, N.J. 08080

*In N.J., Alaska, or HI Call Collect. (609) 468-0270

ELECTRONICS WORLD®

Personal Electronics News

A digital audio disc system has been demonstrated by North American Philips Corp. The Compact Disc is 4 1/2" (114 mm) in diameter, 0.04" (1.1 mm) thick, and can store up to 60 minutes of audio with 20 to 20,000 Hz bandwidth, less than 0.05% distortion, and S/N of better than 85 dB. It is recorded on one side only and is made of polyvinyl chloride coated with a thin



metallic layer that holds a helical track of pits acting as carriers of the digital information. A transparent plastic layer protects the metal. The audio is encoded via a 14-bit linear system, with a sample rate of 44.3 kHz. The player reads the disc by means of a solid-state laser whose light is scattered by the pit as the disc rotates. Tentatively scheduled for introduction late in 1981, the Compact Disc is expected to be competitive in price with standard LPs. Target price for the player is about as much as a mid-priced turntable.

FM broadcast channels of reduced bandwidth, proposed in a petition to the FCC by the National Telecommunications Information Administration, are strongly opposed by the Institute of High Fidelity. The NTIA claims that an increase in the number of FM channels is in the public interest and sees the reduction in bandwidth as a means of accomplishing this end. In answer to NTIA's petition, the IHF contends that reducing FM bandwidth to 150 or 100 kHz from 200 kHz would cause a return to "the type of performance that FM tuners and receivers had in the 1950s and 1960s." The institute noted further that if adopted, the proposal would have an adverse effect on millions who own FM receiving equipment, pointing out that owners of frequency-synthesized tuners might not even be able to tune to the new channels.

A new energy-saving product, said to reduce home heat loss by as much as 24%, has been developed by a 17-year-old with the help of a Perkin-Elmer 1100 computer terminal he won at the 1978 Personal Computing show. Nicholas Naumovich, Jr., a senior at Lake Highlands High School in Dallas, TX, won second prize with a computer system he developed to perform energy studies on how efficiently a home is insulated. He used his data as a basis for inventing Thermo-Brite, a material that reduces air infiltration and reflects heat away from a home to keep cooling costs down during summer months. The product is an aluminized film that is designed to cover the exterior of a house. Heating and cooling cost reduction are claimed to be high as \$800 annually.

A new Amateur Radio hobbyist class operation has been requested by the Washington State CB Radio Association. In a petition filed with the FCC, the Association stated that the new designation--using SSB transmissions between 27.41 and 28.00 MHz--is necessary because of overcrowding and interference in the CB Radio Service and increase in operations on unauthorized frequencies.

Free software programs are being offered to 8080 Etc. members who have a communications modem. More than 85 types of business, medical, accounting, research, and hobby programs are listed. Acoustic couplers or the IDS card for the S-100 bus is recommended, and transmission rate must be 300 baud. For information about 8080 Etc. membership, dial (209) 638-6392 and type "Hello-w101, 8080-Etc." Annual membership is \$25. Send SASE for free list of program titles (include type of system and specific components) to: Membership, The 8080 Etc., P.O. Box 894, Fresno, CA 93714.

Keep a cool head with a new electronic device announced by Majima Co. Ltd. of Tokyo. The new "Stop Sleep" device is designed to cool a driver's head to prevent dozing while behind the wheel. It uses a patented thermoelectronic element and plugs into the vehicle's cigar-lighter socket.

The Sound of Koss will spoil you for anything else.

Once you've experienced the life-like intensity of the Sound of Koss, you'll be spoiled for anything else. Because with Koss stereophones, your favorite recordings take on an incredible new dimension of clarity and realism that's unlike anything you've ever heard before.

KOSS PRO/4 TRIPLE A

The Pro/4 Triple A's extra large voice coil and oversized diaphragm deliver a smooth frequency response over the entire bandwidth of sound. Highs are brilliant, crisp and clean. And the bass pulsates with a rich, deep vibrance.

The Triple A's direct-contour Pneumalite® ear-cushions provide a gentle, yet perfect seal that increases bass response to below audibility. And



everything about the Triple A, including its dual suspension headband, is human engineered for long wearing comfort.

near-zero distortion over all ten audible octaves. And what you experience is the most accurate excursion into sound that has ever been achieved.

The Koss ESP/10 is indeed the electrostatic

stereophone that has it all: a patented energizer that features an automatic overload protector, semi-peak reading VU meters, and an outlet for an additional set of stereophones. Each a final touch of perfection for the ultimate Sound of Koss.

KOSS CM 530

Write us c/o Virginia Lamm, for our free full-color catalog on the Sound of Koss. And when you visit your audio dealer for a live demonstration of Koss stereophones, take an extra moment to hear the perfect pair. The computer maximized Koss CM 530 bookshelf speakers. Whether you place them horizontally or vertically on your bookshelf, the Koss CM 530's deliver perfect mirror image sound. And whether it's loudspeakers or stereophones, once you've experienced the Sound of Koss you'll be spoiled for anything else.

KOSS ESP/10

The ultimate Sound of Koss is the electrostatic ESP/10. It's specifically designed for those who want the most precise reproduction of stereo phone sound. What you hear with the ESP/10 is



© 1979 Koss Corp

KOSS stereophones/loudspeakers
hearing is believing™

KOSS CORPORATION, 4129 N. Port Washington Ave. Milwaukee, Wisconsin 53212 International Headquarters: Milwaukee facilities: Canada · France · Germany · Ireland
CIRCLE NO. 36 ON FREE INFORMATION CARD

POPULAR ELECTRONICS

THE K40 SPEECH PROCESSOR

The **K40**
Speech Processor.
So unique it's patented.
So good its guaranteed
to out-perform any
microphone on any radio.

CLIPS ANYWHERE WITHOUT A CLIP!

Molded four-pole internal magnet clamps instantly to any steel surface. Steering column, metal dash, roof top, or the side of your CB radio. No groping for your mounting clip.

PROCESSES SPEECH WITH A COMPUTER CIRCUIT!

It's its own computer—it automatically monitors your speech and adjusts it in micro-second increments pumping so much db gain into your speech that you get 400% more power than a standard mike.

Double Guarantee

GUARANTEE I:

The K40 Speech Processor is guaranteed to outperform any microphone it replaces or return it for a complete and full refund within 7 days from the K40 Dealer that installed and tuned it.

GUARANTEE II:

Unconditionally guaranteed for 12 months. Guaranteed against cracking, chipping, or rusting. Guaranteed against mechanical failure. Guaranteed against electrical failure. No exclusions. No gimmicks. For a full 12 months.

SOUND SENSITIVE 2 INCHES OR 2 FEET!

A microphone so sensitive it will select your voice and process your speech no matter how close or far you are from the microphone.

TWO MICS WITH ONE SWITCH!

Switch up for a high-pitched transmission for cutting congested city traffic. Switch down for a mellow base in open, uncluttered rural areas.

NOISE CANCELLING

Pull the Processor directly to your mouth and speak directly into the mic. The Processor adjusts to your voice—and blanks out all the cab noise while you're speaking. Automatically.

FRESH CHARGE WITH NO BATTERIES!

Patented electronic storage system recharges while you listen to the radio. It provides a fresh electrical charge every time you squeeze the trigger. You never replace batteries.

\$42.50*

American Antenna Elgin, IL 60120

*suggested retail.

CIRCLE NO. 4 ON FREE INFORMATION CARD

SOLD AND SERVICED EXCLUSIVELY BY 3,500 REGISTERED K40 DEALERS THROUGHOUT THE U.S. AND CANADA

www.americanradiohistory.com