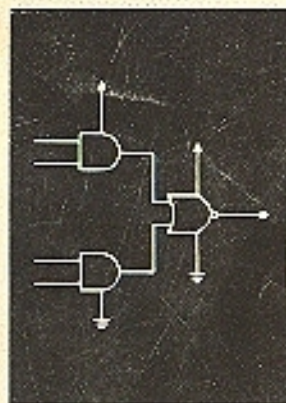
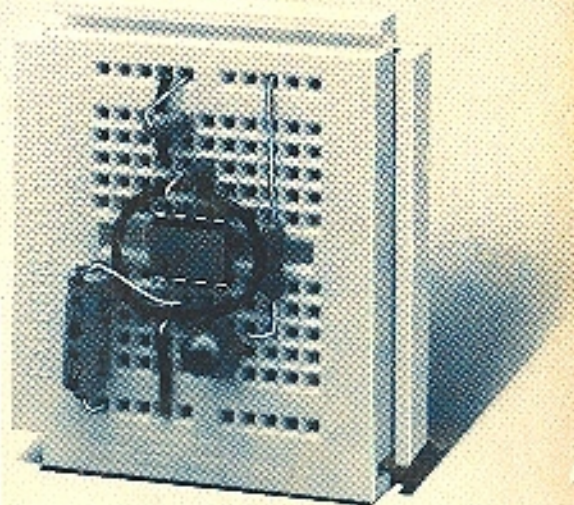


276-5014  
Radio Shack  
1.49

# Engineer's Mini-Notebook

Digital Logic  
Circuits



Forrest M. Mims III

RADIO SHACK, A DIVISION OF TANDY CORPORATION  
U.S.A. FORT WORTH, TEXAS 76102  
CANADA: BARRIE, ONTARIO, CA/ADA L4M 4W5

### TANDY CORPORATION

AUSTIN, TX  
280 S-G VICTORY FORD  
DALLAS, TEXAS 75210

BEIJING  
PARC INDUSTRIEL DE NANJING  
210000 CHINA

U.K.  
BILSTON ROAD  
WEDNESBURY, WEST MIDLANDS WS10 7JN  
PRINTED IN U.S.A.



# CIRCUIT SYMBOLS

FIXED RESISTOR	VARIABLE RESISTOR	FIXED CAPACITOR	POLARIZED CAPACITOR
RECTIFIER/DIODE	ZENER DIODE	PNP TRANSISTOR	NPN TRANSISTOR
LED	SOLAR CELL	PHOTO-RESISTOR	PHOTO-TRANSISTOR
CONNECTED WIRES	UNCONNECTED WIRES	POSITIVE SUPPLY	GROUND
SPST SWITCH	SPDT SWITCH	NORMALLY OPEN PUSHBUTTON	NORMALLY CLOSED PUSHBUTTON
RELAY	TRANSFORMER	SPEAKER	PIEZO-SPEAKER
METER	LAMP	BATTERY	OP-AMP

# ENGINEER'S MINI-NOTEBOOK

## DIGITAL LOGIC CIRCUITS

BY  
FORREST M. MIMS, III

CONTRIBUTING EDITOR  
MODERN ELECTRONICS

AUTHOR OF "SILICON CONNECTIONS—  
COMING OF AGE IN THE ELECTRONIC ERA"

FIRST EDITION

A SILICON CONCEPTS™ BOOK

COPYRIGHT © 1986 BY FORREST M. MIMS, III  
ALL RIGHTS RESERVED

PRINTED IN THE UNITED STATES OF AMERICA

THIS BOOK INCLUDES STANDARD APPLICATION CIRCUITS AND CIRCUITS DESIGNED BY THE AUTHOR. EACH CIRCUIT WAS ASSEMBLED AND TESTED BY THE AUTHOR AS THE BOOK WAS DEVELOPED. AFTER THE BOOK WAS COMPLETED, THE AUTHOR REASSEMBLED EACH CIRCUIT TO CHECK FOR ERRORS. WHILE REASONABLE CARE WAS EXERCISED IN THE PREPARATION OF THIS BOOK, VARIATIONS IN COMPONENT TOLERANCES AND CONSTRUCTION METHODS MAY CAUSE THE RESULTS YOU OBTAIN TO DIFFER FROM THOSE GIVEN HERE. THEREFORE THE AUTHOR AND RADIO SHACK ASSUME NO RESPONSIBILITY FOR THE SUITABILITY OF THIS BOOK'S CONTENTS FOR ANY APPLICATION. SINCE WE HAVE NO CONTROL OVER THE USE TO WHICH THE INFORMATION IN THIS BOOK IS PUT, WE ASSUME NO LIABILITY FOR ANY DAMAGES RESULTING FROM ITS USE. OF COURSE IT IS YOUR RESPONSIBILITY TO DETERMINE IF COMMERCIAL USE, SALE OR MANUFACTURE OF ANY DEVICE THAT INCORPORATES INFORMATION IN THIS BOOK INFRINGES ANY PATENTS, COPYRIGHTS OR OTHER RIGHTS.

DUE TO THE MANY INQUIRIES RECEIVED BY RADIO SHACK AND THE AUTHOR, IT IS NOT POSSIBLE TO PROVIDE PERSONAL RESPONSES TO REQUESTS FOR ADDITIONAL INFORMATION (CUSTOM CIRCUIT DESIGN, TECHNICAL ADVICE, TROUBLESHOOTING ADVICE, ETC.). IF YOU WISH TO LEARN MORE ABOUT ELECTRONICS, SEE OTHER BOOKS IN THIS SERIES AND RADIO SHACK'S "GETTING STARTED IN ELECTRONICS." ALSO, READ MAGAZINES LIKE MODERN ELECTRONICS AND RADIO-ELECTRONICS. THE AUTHOR WRITES A MONTHLY COLUMN, "ELECTRONICS NOTEBOOK," FOR MODERN ELECTRONICS

# CONTENTS

INTRODUCTION	5
TRANSISTOR LOGIC CIRCUITS	6
BINARY (TWO-STATE) NUMBERS	7
LOGIC GATES	8-9
TTL AND TTL/LS LOGIC	10
OPERATING REQUIREMENTS	10
POWER SUPPLIES	11
TTL INPUT INTERFACING	12
CLOCK PULSE GENERATOR	12
BOUNCELESS SWITCH	12
PHOTOTRANSISTOR TO TTL	13
COMPARATOR/OP-AMP TO TTL	13
TTL OUTPUT INTERFACING	14
LED DRIVERS	14
PIEZOELECTRIC BUZZER DRIVERS	14
TRANSISTOR DRIVERS	15
SCR DRIVERS	15
TTL NAND GATE CIRCUITS	16
7400 NAND GATE CIRCUITS (15)	16-21
TTL APPLICATION CIRCUITS	22
1-OF-2 DEMULTIPLEXER	22
EXPANDER	22
2-INPUT DATA SELECTOR	23
LOGIC PROBES	23
UNANIMOUS VOTE DETECTOR	24
DIVIDE-BY-N COUNTERS	25
DIVIDE-BY-5 → 10	25
2-DIGIT BCD COUNTER	26
DISPLAY DIMMER/FLASHER	27
0 TO 99 SECOND / MINUTE TIMER	27



CMOS LOGIC FAMILY	28
OPERATING REQUIREMENTS	28
HANDLING PRECAUTIONS	29
POWER SUPPLIES	29
CMOS INPUT INTERFACING	30
CLOCK PULSE INTERFACING	30
BOUNCELESS SWITCH	30
PHOTOCELL TO CMOS	31
PHOTOTRANSISTOR TO CMOS	31
COMPARATOR/OP-AMP TO CMOS	31
CMOS OUTPUT INTERFACING	32
INCREASED OUTPUT	32
LED DRIVERS	32
TRANSISTOR DRIVERS	33
SCR DRIVERS	33
CMOS NAND GATE CIRCUITS	34
4011 NAND GATE CIRCUITS (16)	34-39
CMOS APPLICATION CIRCUITS	40
RS LATCH	40
PHASE-SHIFT OSCILLATOR	40
LOGIC PROBE	40
4-BIT DATA BUS CONTROL	41
1-OF-4 DATA SELECTOR	41
1-OF-4 SEQUENCER	42
SHIFT REGISTER	43
COUNT-TO-N AND RECYCLE	43
PROGRAMMABLE TIMER	44
RANDOM NUMBER GENERATOR	45
DIVIDE-BY-TWO COUNTERS	45
LOGIC FAMILY INTERFACING	46
TTL TO TTL	46
TTL TO CMOS	46
CMOS TO CMOS	47
CMOS TO TTL	47
DIGITAL TROUBLESHOOTING	48

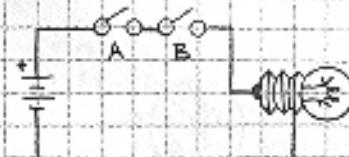
## INTRODUCTION

DIGITAL ELECTRONICS IS THE TECHNOLOGY THAT MAKES POSSIBLE ELECTRONIC WATCHES, CLOCKS, CALCULATORS, COMPUTERS AND MANY OTHER DEVICES. THE CIRCUITS IN THIS BOOK PROVIDE A BASIC INTRODUCTION TO DIGITAL LOGIC AND DIGITAL ELECTRONICS. MANY OF THE CIRCUITS ARE SELF-FUNCTIONING AND REQUIRE NO ADDITIONAL COMPONENTS OR CIRCUITS. SOME CIRCUITS, HOWEVER, ARE DESIGNED TO BE CONNECTED TO OTHER LOGIC CIRCUITS. TO SIMPLIFY THIS PROCEDURE AND TO ENCOURAGE EXPERIMENTATION AND DO-IT-YOURSELF CIRCUIT DESIGN, MANY METHODS FOR INTERFACING LOGIC CIRCUITS WITH ONE ANOTHER AND WITH EXTERNAL COMPONENTS ARE INCLUDED. AS FOR THE CIRCUITS, INTERFACING AND OTHERWISE, EQUAL ATTENTION IS GIVEN TO THE TWO MOST POPULAR LOGIC FAMILIES, TTL AND CMOS. SO THE MAXIMUM NUMBER OF CIRCUITS CAN BE INCLUDED, ONLY ESSENTIAL INFORMATION IS PROVIDED. THEREFORE YOU SHOULD USE THIS BOOK IN CONJUNCTION WITH OTHER RADIO SHACK BOOKS, ESPECIALLY "GETTING STARTED IN ELECTRONICS" AND "SEMICONDUCTOR REFERENCE GUIDE."

## SWITCH LOGIC

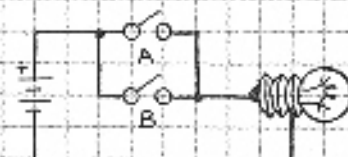
DIGITAL LOGIC CIRCUITS ARE COMPLEX NETWORKS OF TRANSISTOR SWITCHES. THE SIMPLEST LOGIC CIRCUITS ARE CALLED GATES. EXAMPLES INCLUDE:

### AND GATE



A "AND" B = LAMP ON

### OR GATE



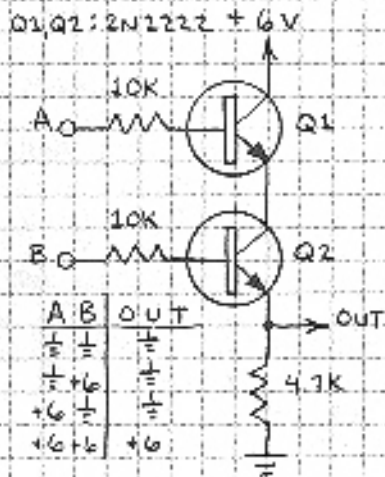
A "OR" B = LAMP ON



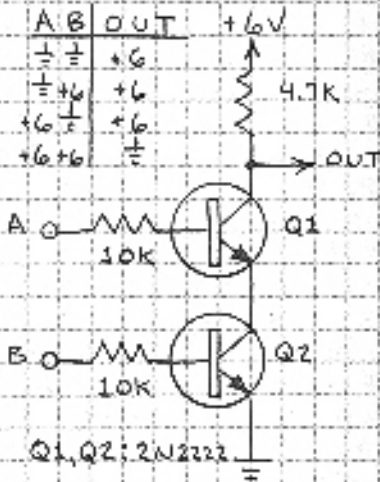
# TRANSISTOR LOGIC CIRCUITS

THESE CIRCUITS SHOW HOW TRANSISTOR SWITCHES CAN BE USED TO FORM FOUR OF THE SIMPLEST LOGICAL DECISION CIRCUITS OR GATES. EACH CIRCUIT INCLUDES A TRUTH TABLE THAT GIVES THE OUTPUT FOR ALL INPUT COMBINATIONS.

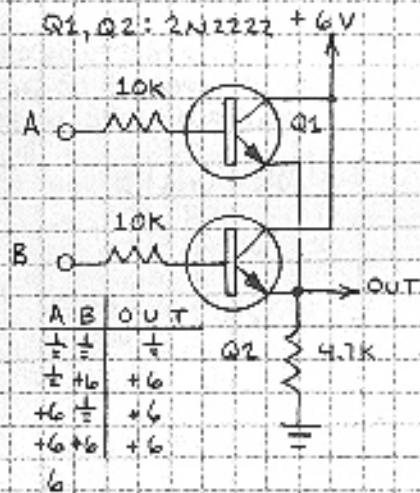
## AND GATE



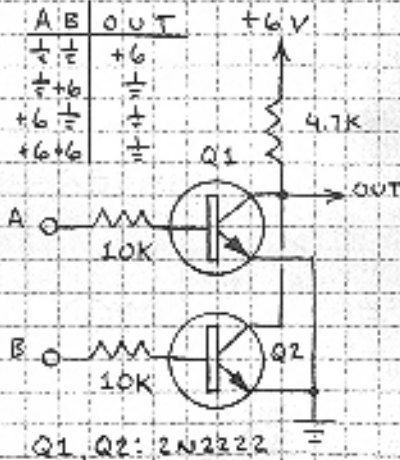
## NAND GATE



## OR GATE



## NOR GATE



# BINARY (TWO-STATE) NUMBERS

THE TRUTH TABLES ON THE FACING PAGE GIVE INPUT AND OUTPUT STATES AS +6 VOLTS AND 0 VOLTS (GROUND). THESE TWO STATES CAN BE REPLACED BY THE DIGITS 1 AND 0:

A	B	AND	NAND	OR	NOR	THE SEQUENCE OF INPUTS FORMS THE FIRST FOUR NUMBERS IN THE BINARY SYSTEM.
0	0	0	1	0	1	
0	1	0	1	1	0	
1	0	0	1	1	0	
1	1	1	0	0	1	

OTHER 2-INPUT LOGIC GATES INCLUDE:

A	B	EXCLUSIVE OR	EXCLUSIVE NOR
0	0	0	1
0	1	1	0
1	0	1	0
1	1	0	1

A BINARY DIGIT (0 OR 1) IS CALLED A BIT. PATTERNS OF BITS CAN REPRESENT DECIMAL NUMBERS, LETTERS OF THE ALPHABET, VOLTAGES AND OTHER INFORMATION. FOR EXAMPLE:

DECIMAL	BINARY	BCD	BCD IS BINARY-CODED DECIMAL.
0	0000	00000000	BCD PROVIDES A SHORTCUT WAY TO DISPLAY DECIMAL NUMBERS ON CALCULATOR AND WATCH READOUTS. EACH DECIMAL DIGIT IS REPRESENTED BY 4 BITS.
1	0001	00000001	
2	0010	00000010	
3	0011	00000011	
4	0100	00000100	
5	0101	00000101	
6	0110	00000110	
7	0111	00000111	
8	1000	00001000	
9	1001	00001001	
10	1010	00010000	
11	1011	00010001	
12	1100	00010010	
13	1101	00010011	
14	1110	00010100	
15	1111	00010101	

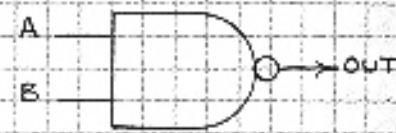
# LOGIC GATES

## AND GATE



A	B	OUT
L	L	L
L	H	L
H	L	L
H	H	H

## NAND GATE



A	B	OUT
L	L	H
L	H	H
H	L	H
H	H	L

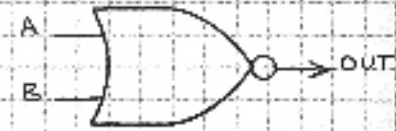
NOTE:  
 0 = L (LOW)  
 1 = H (HIGH)  
 L =  $\frac{1}{2}$   
 H = +VOLTS

## OR GATE



A	B	OUT
L	L	L
L	H	H
H	L	H
H	H	H

## NOR GATE



A	B	OUT
L	L	H
L	H	L
H	L	L
H	H	L

## EXCLUSIVE OR



A	B	OUT
L	L	L
L	H	H
H	L	H
H	H	L

EX-OR USED FOR BINARY MATH.  
 (COMPARE HALF-ADDER ON P. 20  
 WITH EX-OR ON P. 18.) BOTH  
 USED TO COMPARE 2 INPUTS.  
 IF EQUAL, THEN OUTPUT IS L  
 (EX-OR) OR H (EX-NOR).

## EXCLUSIVE NOR



A	B	OUT
L	L	H
L	H	L
H	L	L
H	H	H

# 3-INPUT NAND



A	B	C	OUT
L	L	L	H
L	L	H	H
L	L	L	H
L	H	H	H
H	L	L	H
H	L	H	H
H	H	L	H
H	H	H	L

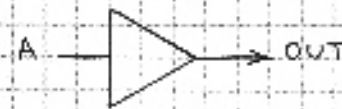
# 3-INPUT NOR



A	B	C	OUT
L	L	L	H
L	L	H	L
L	L	L	L
L	H	H	L
H	L	L	L
H	L	H	L
H	H	L	L
H	H	H	L

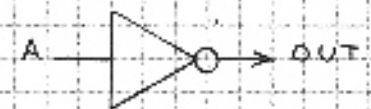
NOTE:  
 ADD INPUTS  
 TO CREATE  
 MANY NEW  
 GATES.

## BUFFER



A	OUT
L	L
H	H

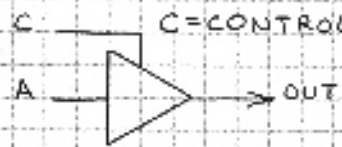
## INVERTER



A	OUT
L	H
H	L

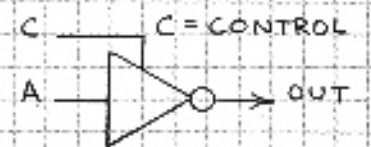
# 3-STATE LOGIC

## BUFFER



C	A	OUT
L	L	L
L	H	H
H	X	H-Z

## INVERTER



C	A	OUT
L	L	H
L	H	L
H	X	H-Z



# TTL AND TTL/LS LOGIC FAMILIES

TTL (TRANSISTOR-TRANSISTOR LOGIC) AND TTL/LS (LOW-POWER SCHOTTKY) CHIPS ARE EASY TO USE AND REQUIRE NO SPECIAL HANDLING PRECAUTIONS. TTL CAN CHANGE STATES 20,000,000 TIMES PER SECOND. TTL USES LOTS OF POWER, AND INDIVIDUAL GATES CONSUME 3 OR MORE MILLIAMPERES. TTL/LS IS SLIGHTLY FASTER AND USES 80% LESS POWER.

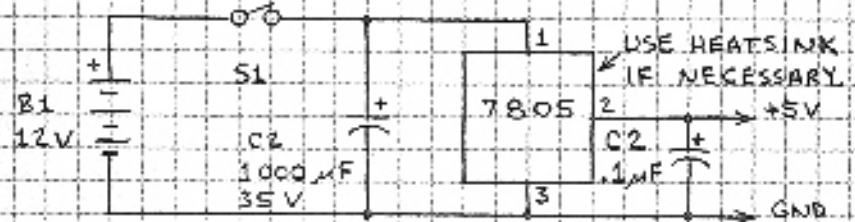
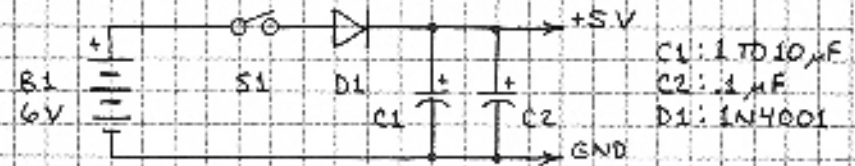
## OPERATING REQUIREMENTS

1.  $V_{cc}$  (POSITIVE SUPPLY) MUST NOT EXCEED 5.25 VOLTS.
2. INPUT SIGNAL MUST NEVER EXCEED  $V_{cc}$  NOR FALL BELOW GROUND.
3. UNUSED INPUTS NORMALLY ASSUME THE HIGH (H) STATE, BUT THEY MAY PICK UP STRAY SIGNALS. CONNECT THEM TO  $V_{cc}$ .
4. FORCE OUTPUTS OF UNUSED GATES H TO SAVE CURRENT. SEE TRUTH TABLES ON PP. 8-9.
5. TTL GATES CAUSE NOISE SPIKES ON THEIR POWER SUPPLY LEADS WHEN THEY CHANGE STATES. THESE SPIKES CAN BE REMOVED BY CONNECTING A 0.01 TO 0.1  $\mu F$  DECOUPLING CAPACITOR ACROSS THE SUPPLY PINS OF TTL AND TTL/LS CHIPS. USE AT LEAST ONE CAPACITOR FOR EVERY 5 TO 10 GATE PACKAGES OR 2 TO 5 COUNTER AND REGISTER CHIPS. DECOUPLING CAPACITORS MUST HAVE SHORT LEADS AND BE CONNECTED FROM  $V_{cc}$  TO GROUND AS CLOSE AS POSSIBLE TO THE DECOUPLED CHIPS.
6. AVOID LONG WIRES IN TTL AND TTL/LS CIRCUITS.
7. IF THE POWER SUPPLY IS NOT ON THE CIRCUIT BOARD, CONNECT A 1 TO 10  $\mu F$  CAPACITOR ACROSS THE POWER LEADS WHERE THEY ENTER THE BOARD.

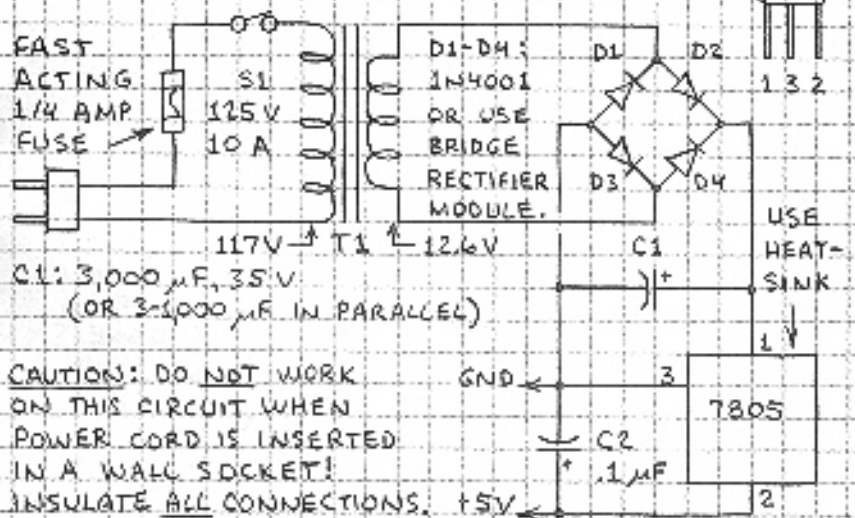
# POWER SUPPLIES

TTL CIRCUITS REQUIRE A 4.75 TO 5.25-VOLT SUPPLY. BATTERIES CAN BE USED TO POWER A FEW CHIPS. OTHERWISE A LINE-POWERED SUPPLY IS MORE ECONOMICAL AND RELIABLE.

## BATTERY POWER SUPPLIES



## LINE POWER SUPPLY

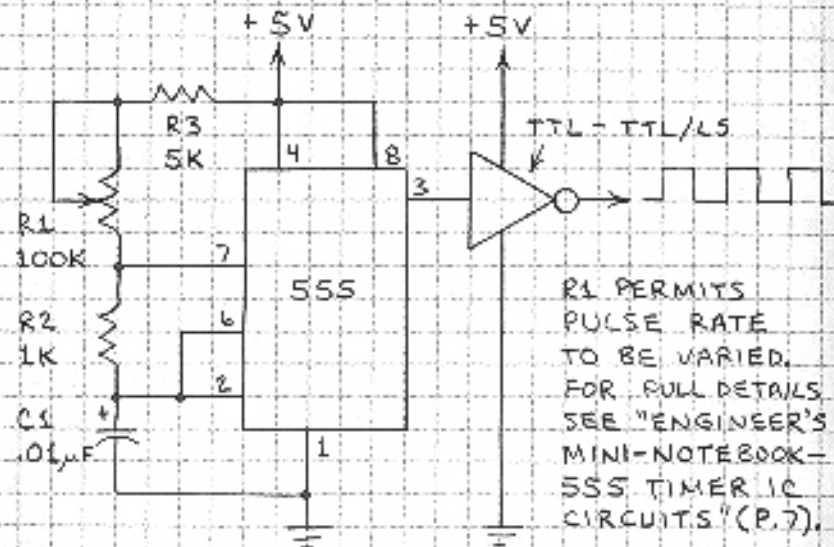


CAUTION: DO NOT WORK ON THIS CIRCUIT WHEN POWER CORD IS INSERTED IN A WALL SOCKET! INSULATE ALL CONNECTIONS.

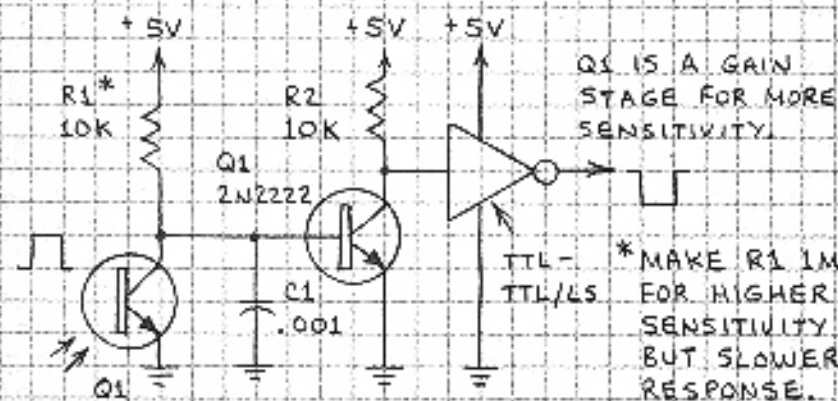
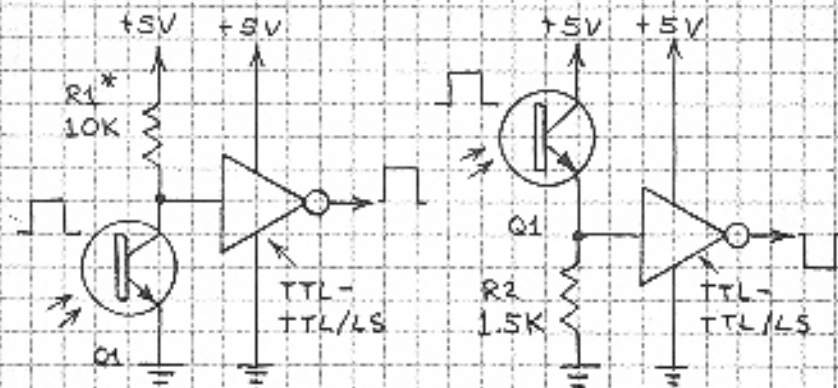
# TTL INPUT INTERFACING

NON-TTL-TTL/LS CHIPS AND COMPONENTS CAN SUPPLY INPUT SIGNALS TO TTL-TTL/LS CHIPS IF THE OPERATING REQUIREMENTS ON PAGE 10 ARE OBSERVED. THE CIRCUITS BELOW SUPPLY CLEAN, NOISE-FREE PULSES TO TTL-TTL/LS CHIPS. THE INVERTER IN EACH CIRCUIT REPRESENTS A TTL OR TTL/LS INPUT.

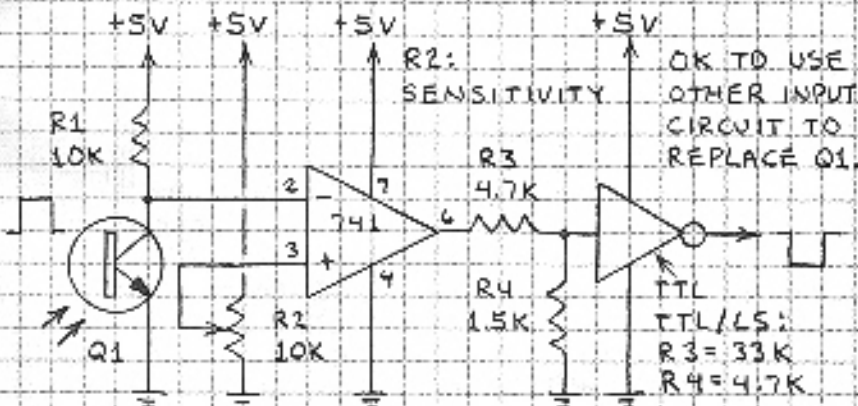
## CLOCK PULSE GENERATOR



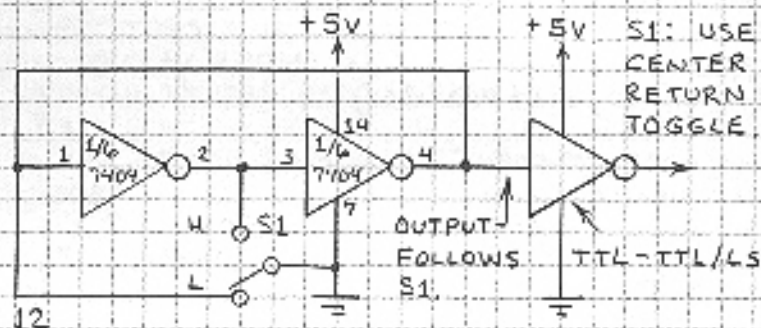
# PHOTOTRANSISTOR TO TTL



# COMPARATOR/OP-AMP TO TTL



## BOUNCELESS SWITCH

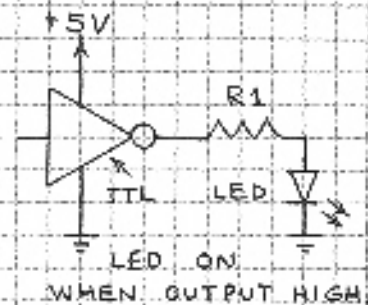
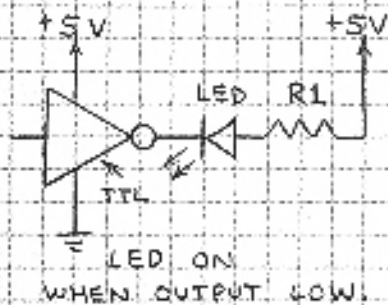




# TTL OUTPUT INTERFACING

TTL CHIPS HAVE AN OUTPUT DRIVE CURRENT OF UP TO 30 MILLIAMPERES IN A SINK (OUTPUT LOW) CONFIGURATION. SEE DATA FOR SPECIFIC CHIPS.

## LED DRIVERS

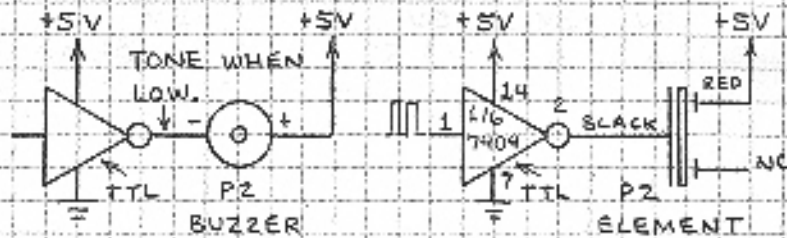


THIS ARRANGEMENT GIVES HIGHER DRIVE CURRENT.

LESS DRIVE CURRENT BUT OK FOR HIGH-BRIGHTNESS LEDs.

R1 CONTROLS DRIVE CURRENT IN BOTH DRIVERS. WHEN  $V_{cc} = 5$  VOLTS AND RED LED IS USED,  $R1 = 3.3 / \text{DESIRED LED CURRENT}$ . EXAMPLE: FOR LED CURRENT OF 10 mA,  $R = 3.3 / .01 = 330 \Omega$ .

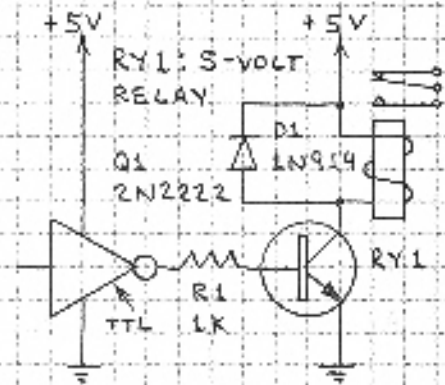
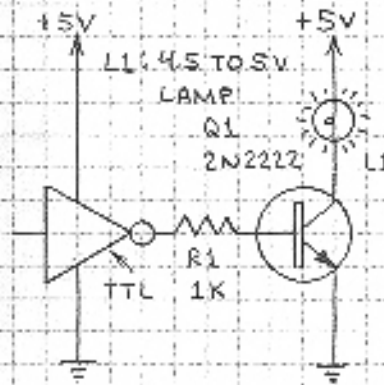
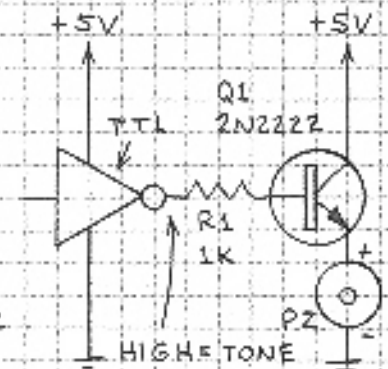
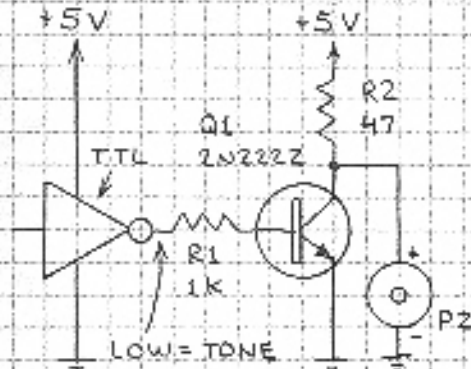
## PIEZOELECTRIC BUZZER DRIVERS



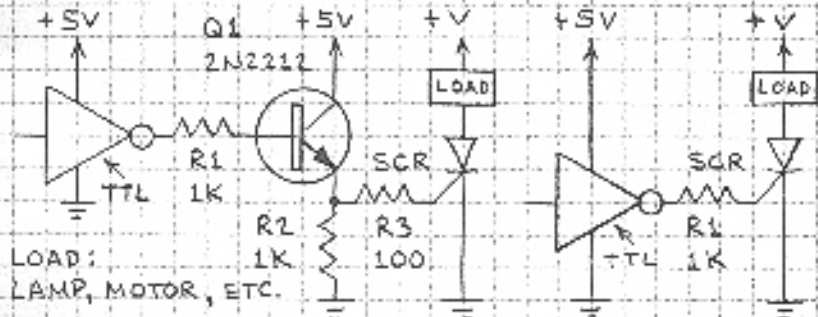
BUZZER DRIVE CURRENT SHOULD NOT EXCEED AVAILABLE OUTPUT CURRENT FROM TTL CHIP.

USE TO CONVERT REPETITIVE INPUT PULSES TO SOUND. ANY TTL INPUT OK.

# TRANSISTOR DRIVERS



## SCR DRIVERS

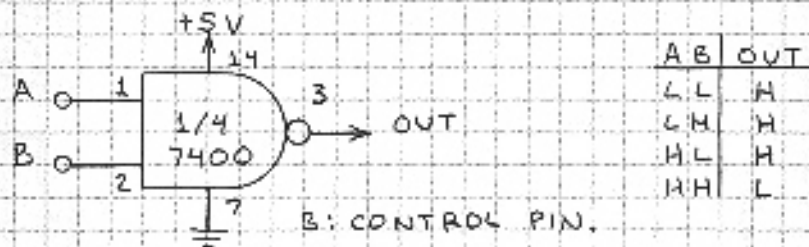


SCR SUPPLY (+V) CAN EXCEED +5V. SCR STAYS ON WHEN TRIGGERED UNLESS FORWARD CURRENT FALLS BELOW SCR HOLDING CURRENT ( $I_H$ ).

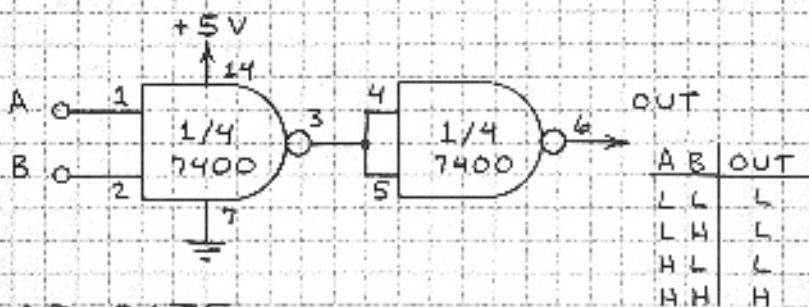
# TTL NAND GATE CIRCUITS

USE 7400 OR 7400LS QUAD NAND GATE. PIN NUMBERS ARE GIVEN FOR CONVENIENCE. IF DESIRED, INDIVIDUAL GATES CAN BE REARRANGED.

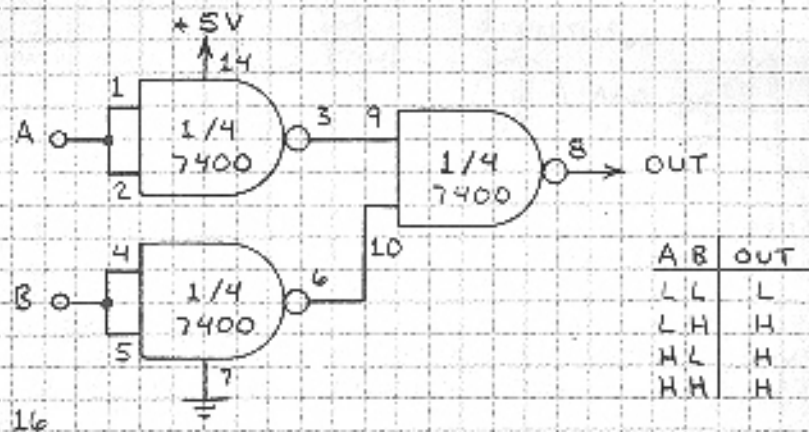
## CONTROL GATE



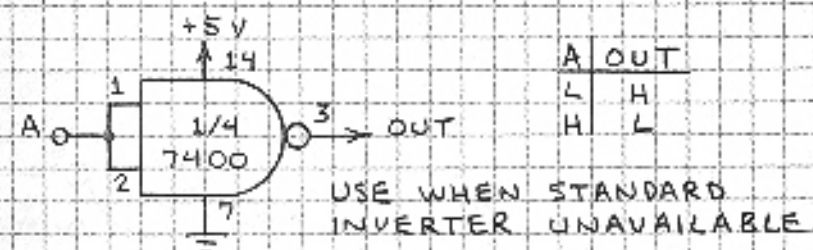
## AND GATE



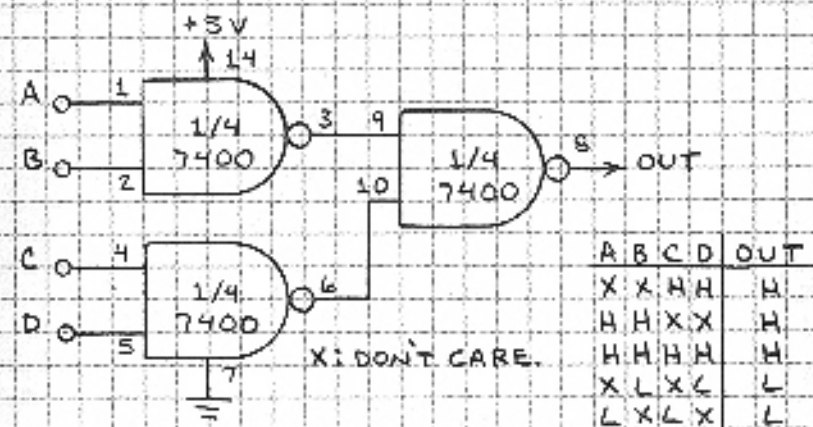
## OR GATE



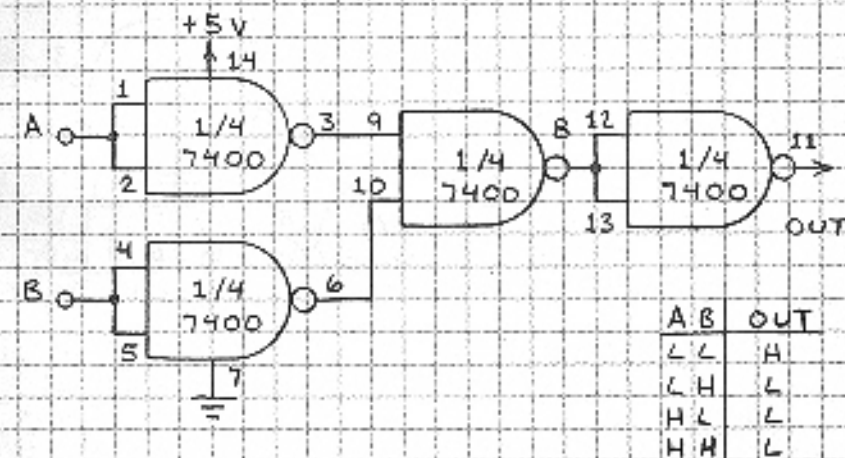
# INVERTER



## AND-OR GATE

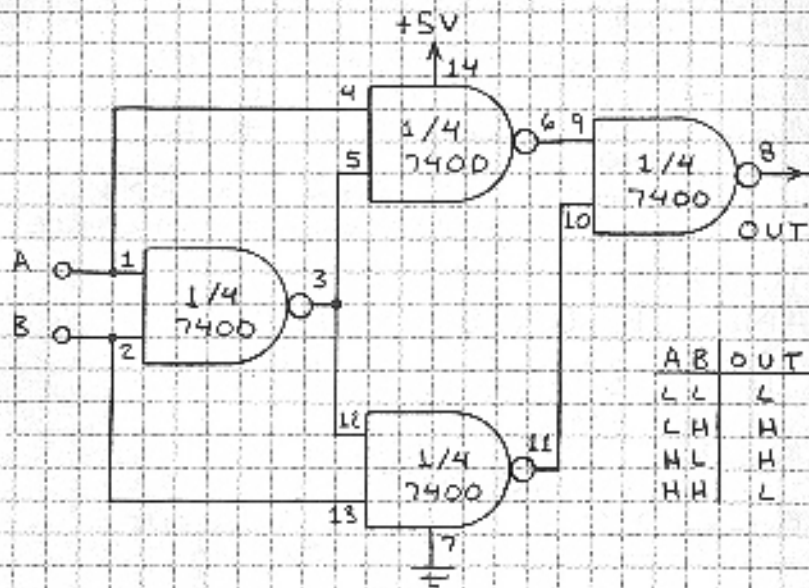


## NOR GATE

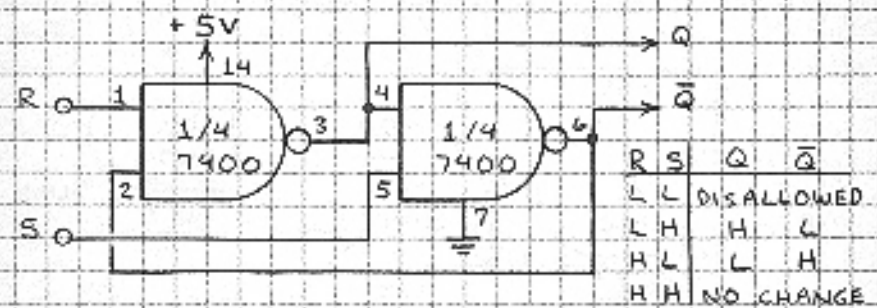




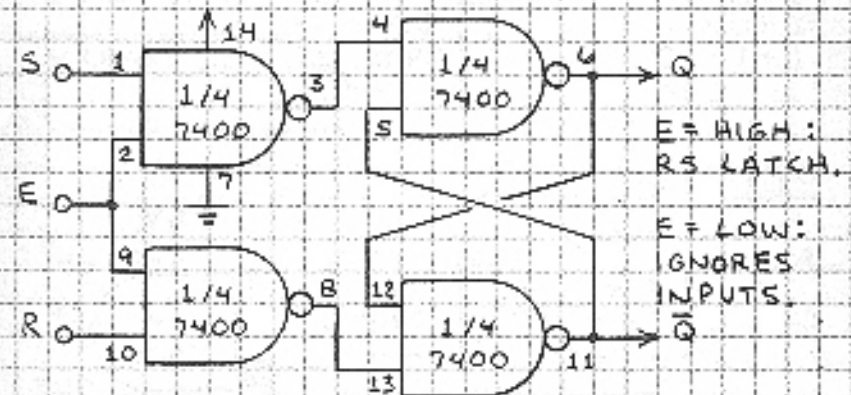
## EXCLUSIVE-OR GATE



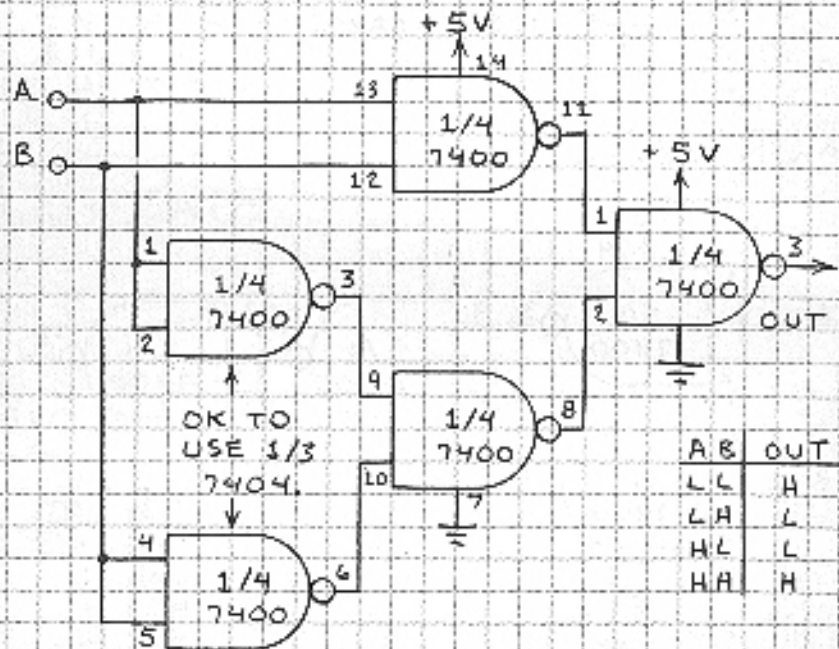
## RS LATCH



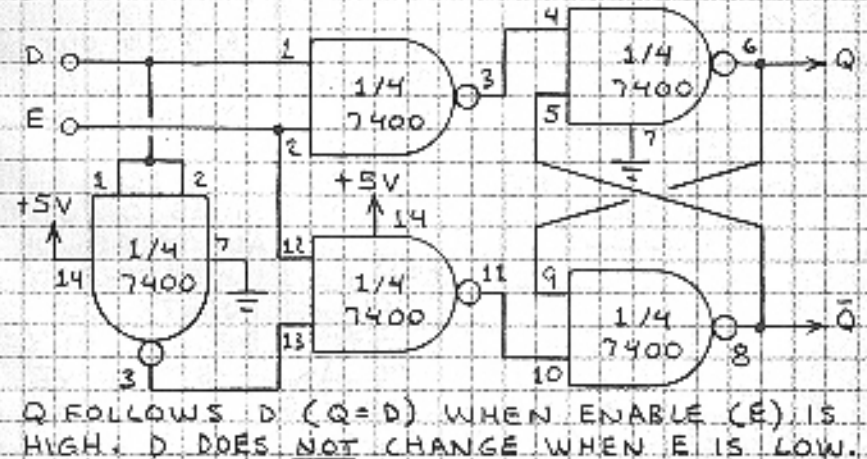
## GATED RS LATCH



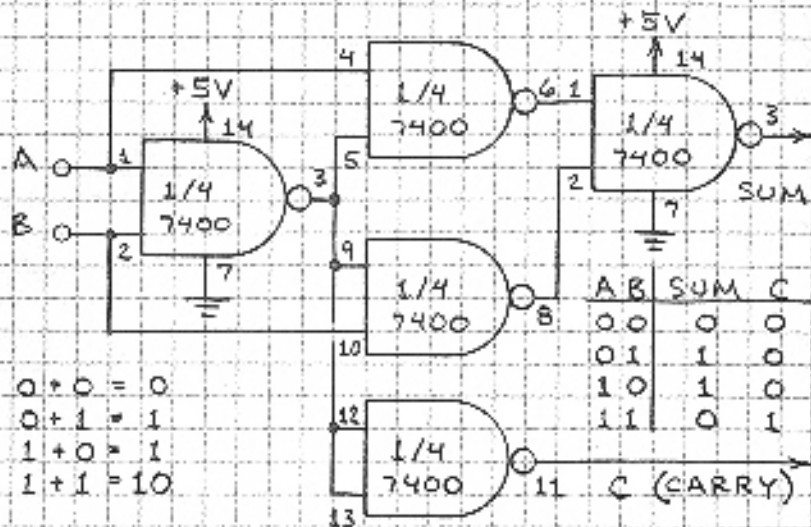
## EXCLUSIVE-NOR GATE



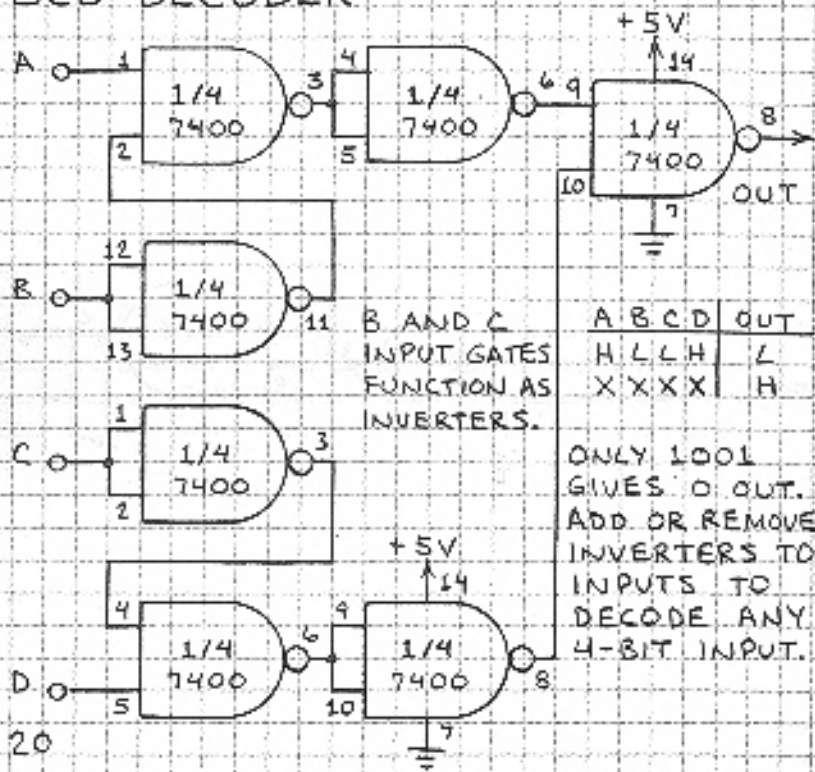
## D FLIP-FLOP



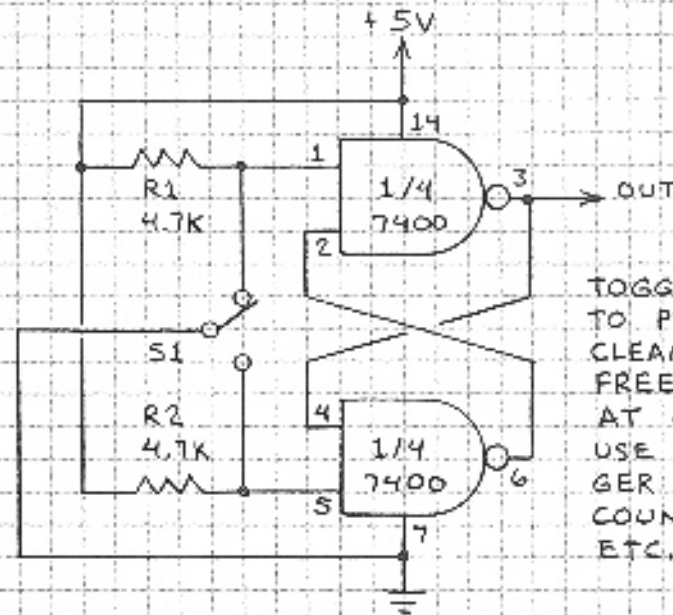
# BINARY HALF ADDER



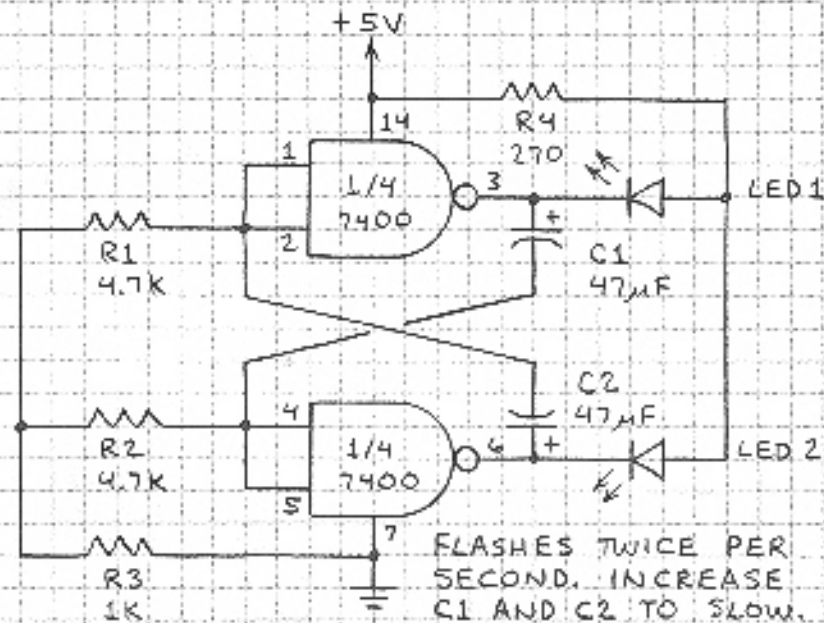
# BCD DECODER



# SWITCH DEBOUNCER



# DUAL LED FLASHER

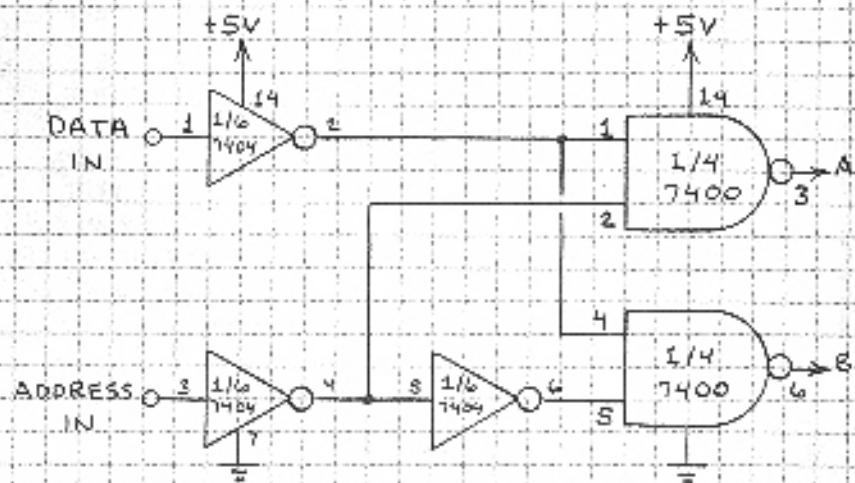




# TTL APPLICATION CIRCUITS

THE CIRCUITS THAT FOLLOW ILLUSTRATE HOW TTL CHIPS CAN BE EASILY INTERCONNECTED TO ACCOMPLISH MANY DIFFERENT APPLICATIONS.

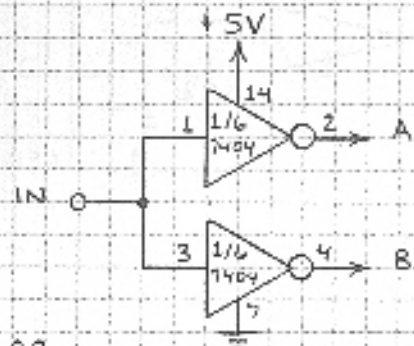
## 1-OF-2 DEMULTIPLEXER



INPUT BIT AT DATA IN IS STEERED TO A OR B OUTPUT BY THE ADDRESS BIT.

DATA	ADDRESS	A	B
L	L	L	H
H	L	H	H
L	H	H	L
H	H	H	H

## EXPANDER

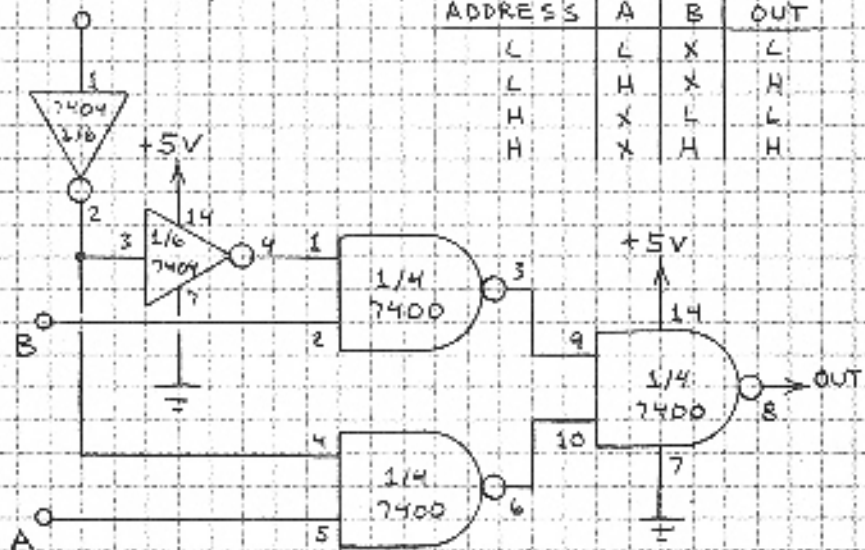


USE TO PROVIDE MULTIPLE OUTPUTS, EACH WITH SAME DRIVE CAPABILITY AS SINGLE OUTPUT. USE FOR LEDs, TRANSISTOR DRIVERS, ETC.

# 2-INPUT DATA SELECTOR

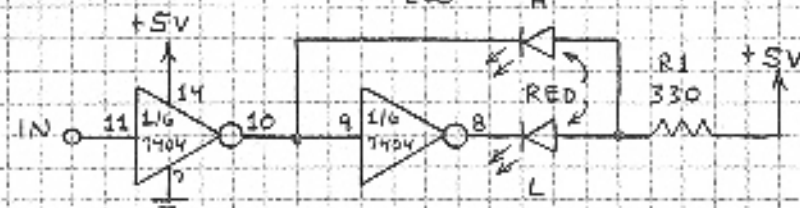
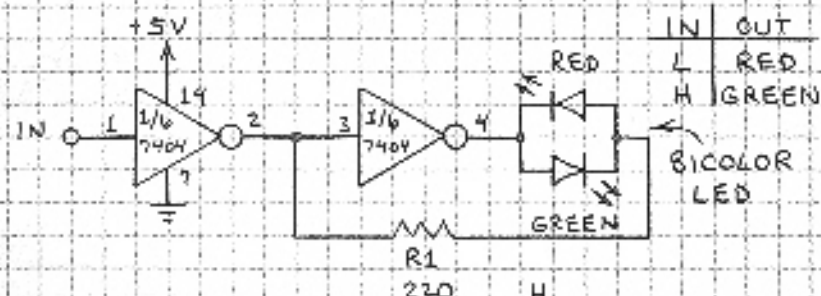
ADDRESS (DATA SELECT)

ADDRESS	A	B	OUT
L	L	X	L
L	H	X	H
H	X	L	L
H	X	H	H

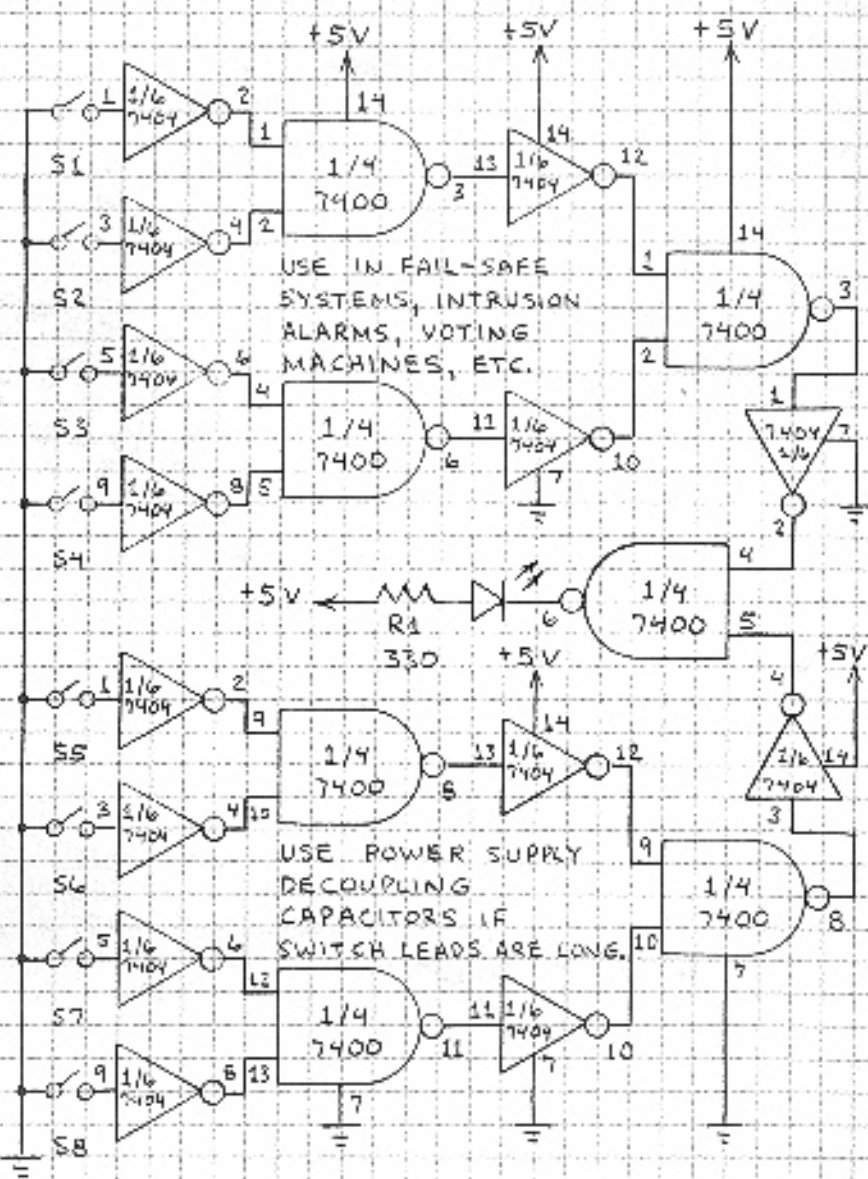


SELECTED INPUT BIT (A OR B) IS STEERED TO OUTPUT. CIRCUIT CAN BE EXPANDED.

## LOGIC PROBES



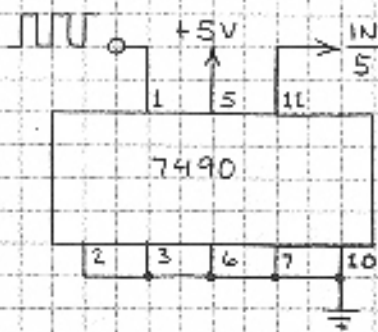
# UNANIMOUS VOTE DETECTOR



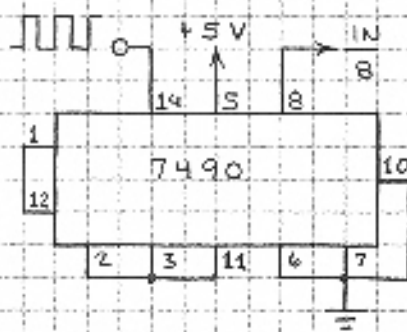
WHEN ALL INPUT SWITCHES ARE CLOSED, THE LED GLOWS. IF OUTPUT IS SENT TO OTHER LOGIC, TIE INPUTS OF 8 7404 INPUT INVERTERS TO +5V THROUGH 4.7K RESISTORS.

# DIVIDE-BY-N COUNTERS

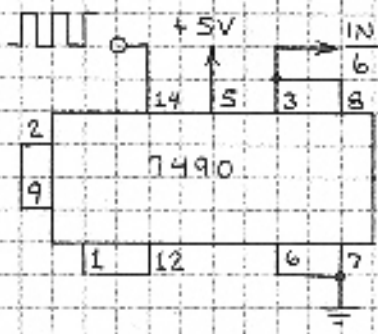
## DIVIDE-BY-5



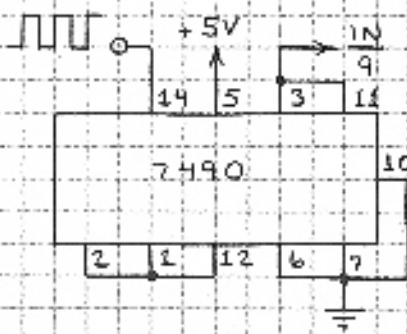
## DIVIDE-BY-8



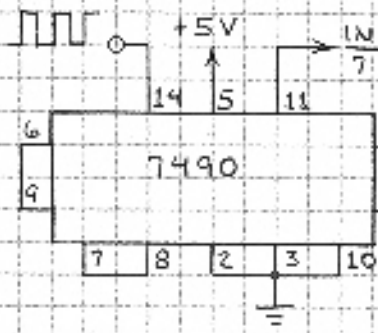
## DIVIDE-BY-6



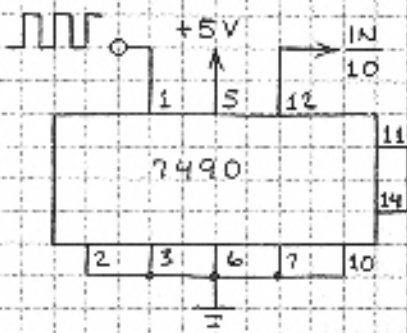
## DIVIDE-BY-9



## DIVIDE-BY-7

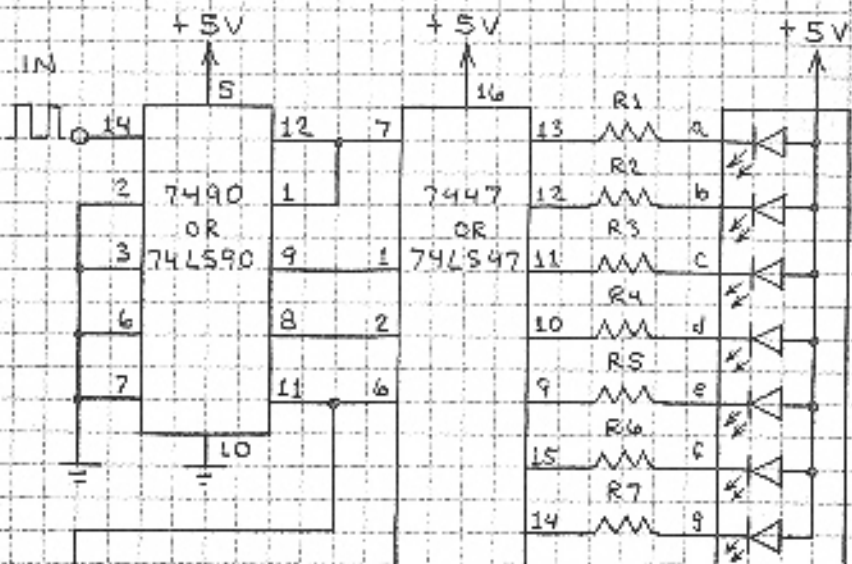


## DIVIDE-BY-10

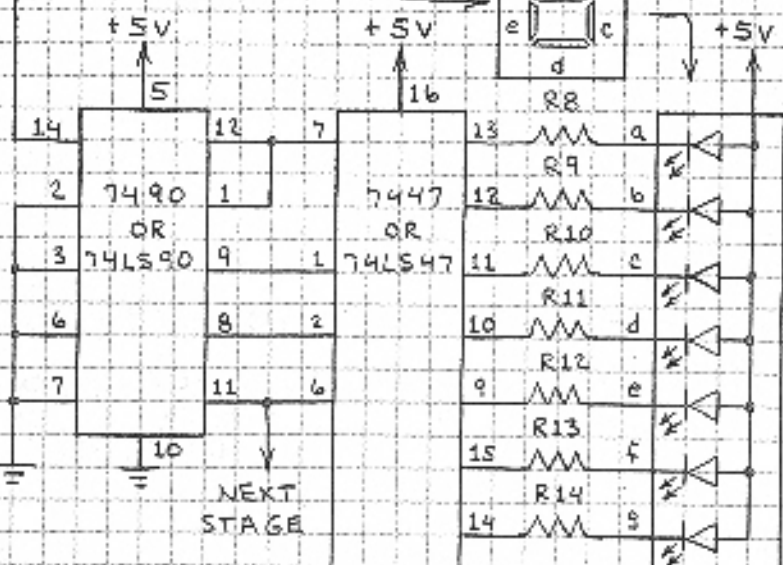




## 2-DIGIT BCD COUNTER

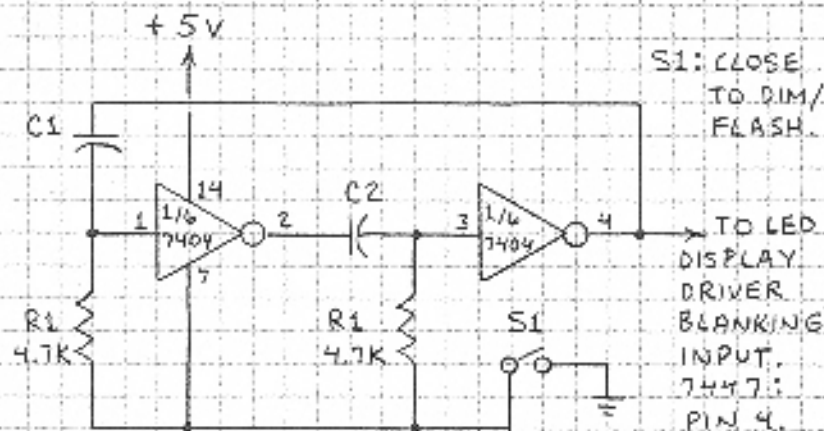


COMMON ANODE  
LED DISPLAY



USE TO COUNT PULSES.  
FOR MANUAL ENTRY.  
USE BOUNCELESS SWITCH.  
TIMER: CONNECT 555 OSCILLATOR TO INPUT.

## DISPLAY DIMMER / FLASHER



S1: CLOSE  
TO DIM/  
FLASH.

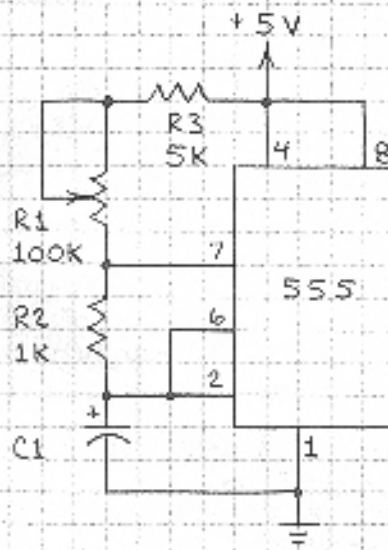
TO LED  
DISPLAY  
DRIVER  
BLANKING  
INPUT.  
7447:  
PIN 4.

DIMMER:  $C1, C2 = 0.1 \mu F$

FLASHER:  $C1, C2 = 47 \mu F$  (2 FLASHES PER SECOND)

THIS CIRCUIT WILL CONTROL 7447 DECODER'S ON  
FACING PAGE (CONNECT PIN 4 OF EACH 7447 TO  
OUTPUT OF DIMMER/FLASHER).

## 0 TO 99 SECOND/MINUTE TIMER



THIS CIRCUIT CAN  
FUNCTION AS DIMMER/  
FLASHER (SEE ABOVE).

TO 7490, PIN 14,  
ON FACING PAGE.

SECONDS:  $C1 = 3.3 \mu F$

MINUTES:  $C1 = 220 \mu F$

CALIBRATE WITH R1.

RESET TO 00: USE  
SWITCH TO CONNECT  
PIN 2 OR 3 FROM  
GROUND TO +5 VOLTS  
AND THEN TO GROUND.

## CMOS LOGIC FAMILY

CMOS (COMPLEMENTARY METAL-OXIDE-SILICON) LOGIC CHIPS CAN CONTAIN FAR MORE FUNCTIONS PER CHIP THAN TTL AND TTL/LS LOGIC CHIPS. THOUGH STANDARD CMOS IS NOT AS FAST AS TTL LOGIC, IT CONSUMES CONSIDERABLY LESS POWER. A SINGLE CMOS GATE CONSUMES 0.1 MILLIAMPERE. MOREOVER, CMOS LOGIC CAN BE POWERED BY A WIDE SUPPLY VOLTAGE (3 TO 18 VOLTS). A MAJOR DRAWBACK OF CMOS IS ITS VULNERABILITY TO STATIC ELECTRICITY.

## OPERATING REQUIREMENTS

1.  $V_{DD}$  (POSITIVE SUPPLY) MUST NOT EXCEED 15 VOLTS (STANDARD CMOS) OR 18 VOLTS (B. SERIES).
2. INPUT SIGNAL MUST NEVER EXCEED  $V_{DD}$  NOR FALL BELOW GROUND.
3. UNUSED INPUTS WILL PICK UP STRAY SIGNALS AND CAUSE ERRATIC OPERATION AND EXCESSIVE POWER CONSUMPTION. ALL UNUSED INPUTS MUST BE CONNECTED TO  $V_{DD}$  OR GROUND.
4. IF POSSIBLE, AVOID INPUT SIGNALS THAT CHANGE STATES SLOWLY SINCE THEY INCREASE POWER CONSUMPTION. RISE AND FALL TIMES FASTER THAN 15 MICROSECONDS ARE BEST.
5. THE FREQUENCY OF THE INPUT SIGNAL MUST NOT EXCEED THE MAXIMUM OPERATING FREQUENCY OF A CMOS CHIP. A STANDARD CMOS CHIP HAS A TYPICAL MAXIMUM RESPONSE OF 1 MHz WHEN  $V_{DD} = 5$  VOLTS AND 5 MHz WHEN  $V_{DD} = 15$  VOLTS.
6. NEVER CONNECT AN INPUT SIGNAL TO A CMOS CHIP WHEN THE POWER IS OFF. NEVER REMOVE POWER TO A CMOS CHIP WHEN AN INPUT SIGNAL IS PRESENT.

28

## HANDLING PRECAUTIONS

1. AVOID TOUCHING THE PINS OF CMOS CHIPS.
2. NEVER STORE CMOS CHIPS IN NON-CONDUCTIVE PLASTIC TRAYS, BAGS, FOAM, OR "SNOW."
3. PLACE CMOS CHIPS PINS DOWN ON AN ALUMINUM FOIL SHEET OR TRAY WHEN THEY ARE NOT IN A CIRCUIT OR STORED IN CONDUCTIVE FOAM.
4. NEVER INSTALL A CMOS CHIP IN A CIRCUIT WHEN POWER IS APPLIED. NEVER REMOVE A CMOS CHIP FROM A CIRCUIT WHEN POWER IS APPLIED.
5. USE A BATTERY-POWERED IRON TO MAKE SOLDER CONNECTIONS TO A CMOS CHIP. AN AC POWERED IRON MAY BE USED IF THE TIP DOES NOT CARRY STRAY VOLTAGE.

## POWER SUPPLIES

MOST CMOS CIRCUITS CAN BE POWERED BY BATTERIES. GENERALLY, OUTPUT DEVICES LIKE LEDs, LAMPS, RELAYS, ETC. CONSUME MUCH MORE POWER THAN THE CMOS CHIPS THAT DRIVE THEM.

## BATTERY POWER SUPPLIES



B1 IS 3 TO 15 VOLT BATTERY. C1 AND C2 ARE OPTIONAL. USE WHEN LEADS TO B1 ARE LONG. OK TO USE 7805, 7812, OR 7815 REGULATOR CHIP IN BATTERY SUPPLY ON P.11.

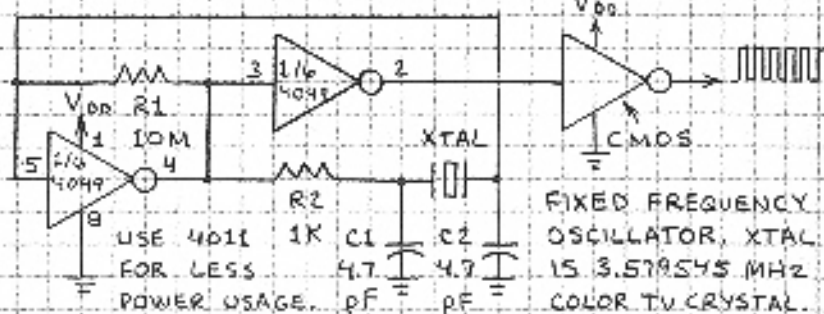
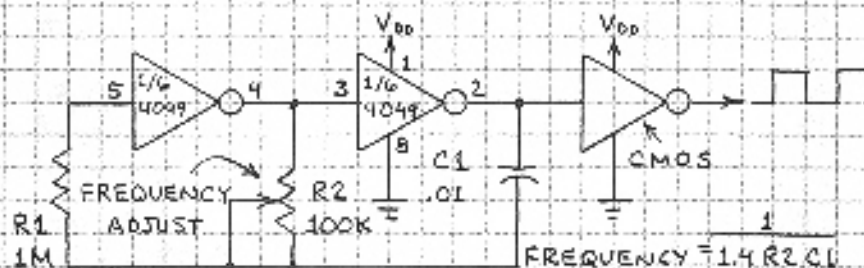
29



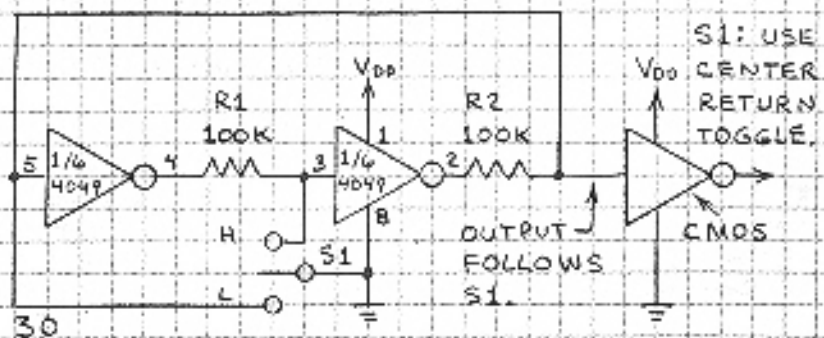
## CMOS INPUT INTERFACING

NON-CMOS CHIPS AND COMPONENTS CAN SUPPLY INPUT SIGNALS TO CMOS CHIPS IF THE OPERATING REQUIREMENTS ON PAGE 28 ARE OBSERVED. THE FINAL INVERTER IN EACH CIRCUIT BELOW REPRESENTS A CMOS INPUT.

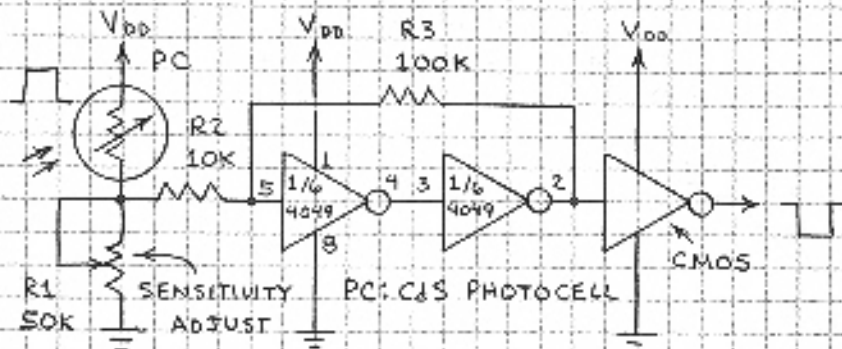
## CLOCK PULSE GENERATORS



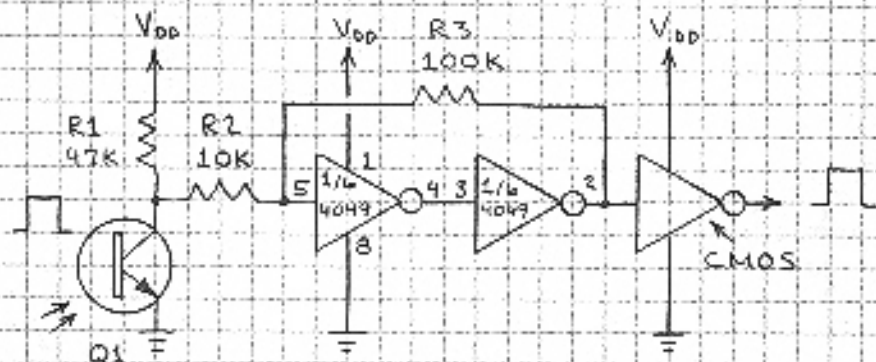
## BOUNCELESS SWITCH



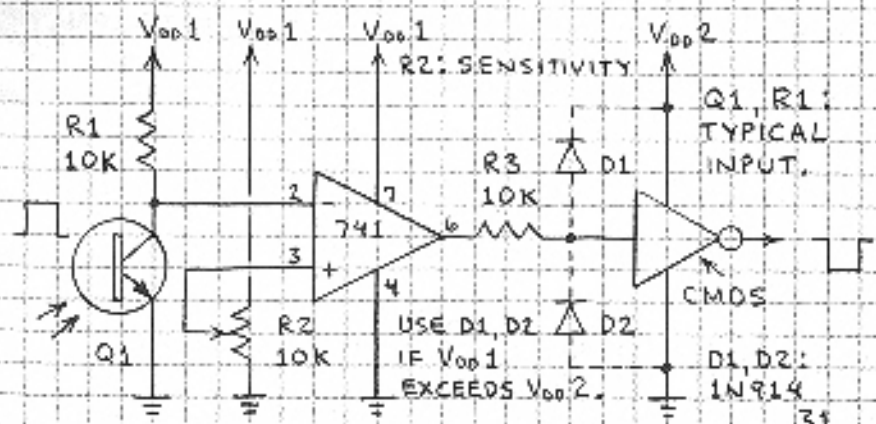
## PHOTOCELL TO CMOS



## PHOTOTRANSISTOR TO CMOS



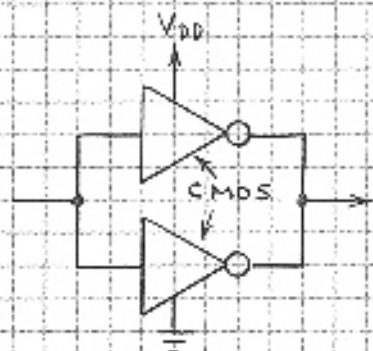
## COMPARATOR / OP-AMP TO CMOS



## CMOS OUTPUT INTERFACING

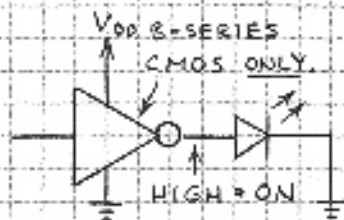
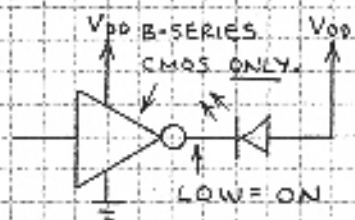
THOUGH CMOS CHIPS HAVE LIMITED OUTPUT CURRENT, MANY OUTPUT DEVICES CAN BE DRIVEN WITH THE HELP OF EXTERNAL COMPONENTS.

### INCREASED OUTPUT

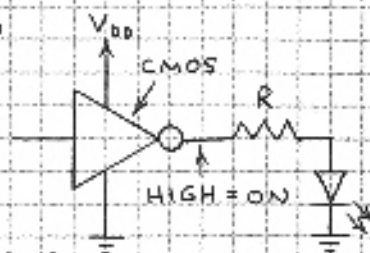
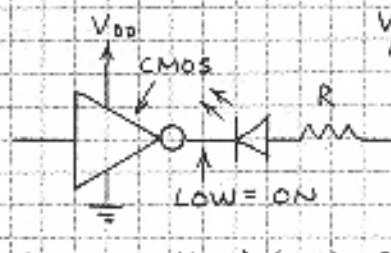


CONNECT TWO OR MORE GATES IN PARALLEL TO INCREASE OUTPUT CURRENT. TWO GATES SHOWN HAVE ABOUT DOUBLE THE OUTPUT AS A SINGLE GATE. THE 4049 AND 4050 HEX INVERTER AND BUFFER GIVE HIGH OUTPUT.

### LED DRIVERS



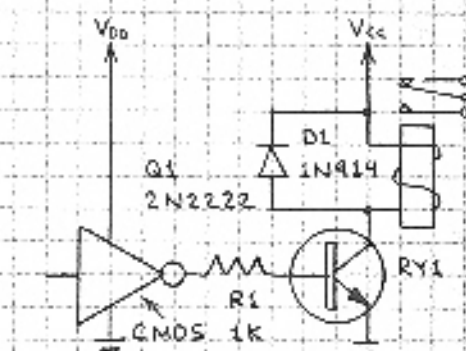
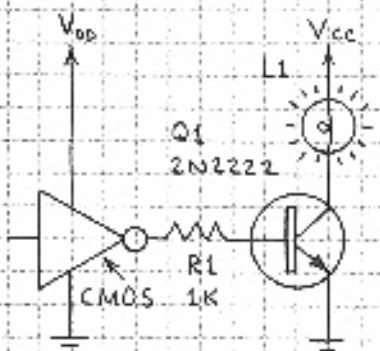
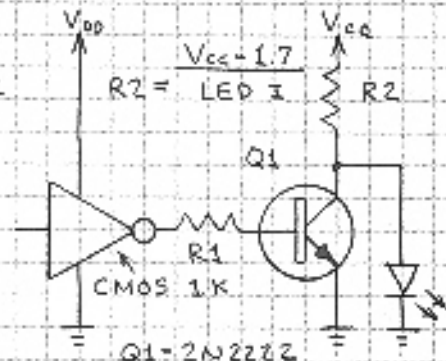
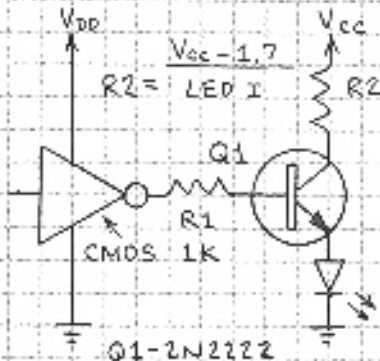
LED WITHOUT RESISTOR FOR  $V_{DD} \leq 4.5$  VOLTS ONLY.



USE WHEN  $V_{DD} > 6$  VOLTS AND TO SET LED CURRENT. FOR RED LED AT 10 mA (0.01A):

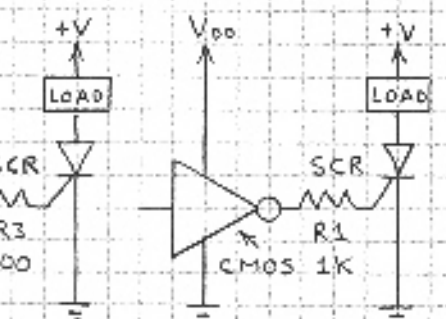
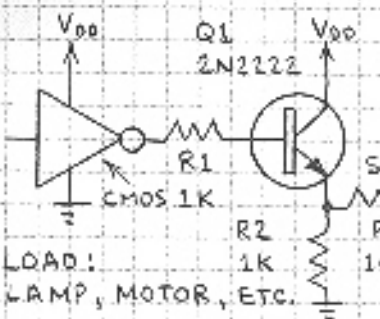
$$R = \frac{V_{DD} - 1.7}{0.01}$$

## TRANSISTOR DRIVERS



$V_{CC}$  CAN BE  $>$  OR  $<$   $V_{DD}$ . SELECT  $L1$  AND  $RY$  ACCORDING TO  $V_{CC}$ .

### SCR DRIVERS



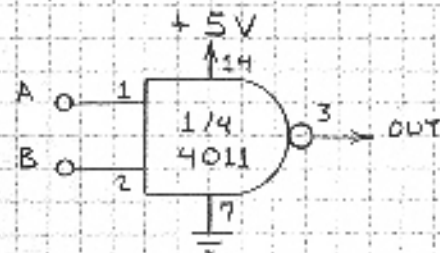
SCR SUPPLY (+V) CAN BE  $>$  OR  $<$   $V_{DD}$ . THESE CIRCUITS IDENTICAL TO TTL VERSIONS ON P. 15.



# CMOS NAND GATE CIRCUITS

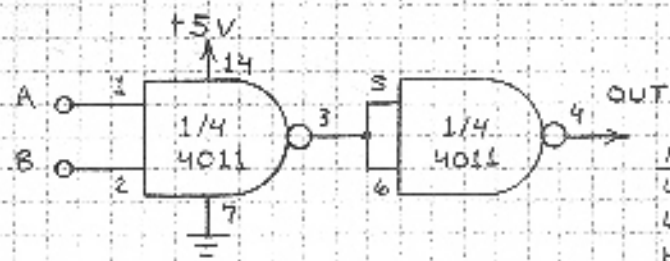
USE 4011 QUAD NAND GATE. OK TO REARRANGE GATES. ALL UNUSED INPUTS MUST GO TO  $V_{DD}$  OR GROUND.  $V_{DD} = +3$  TO  $+15$  VOLTS. FOLLOW CMOS HANDLING PRECAUTIONS.

## CONTROL GATE



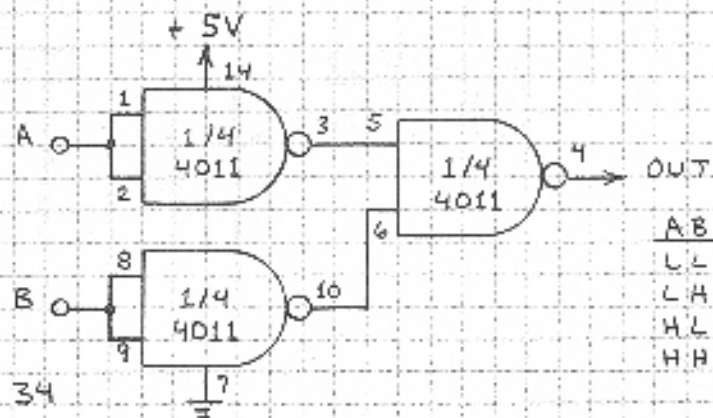
A	B	OUT
L	L	H
L	H	H
H	L	H
H	H	L

## AND GATE



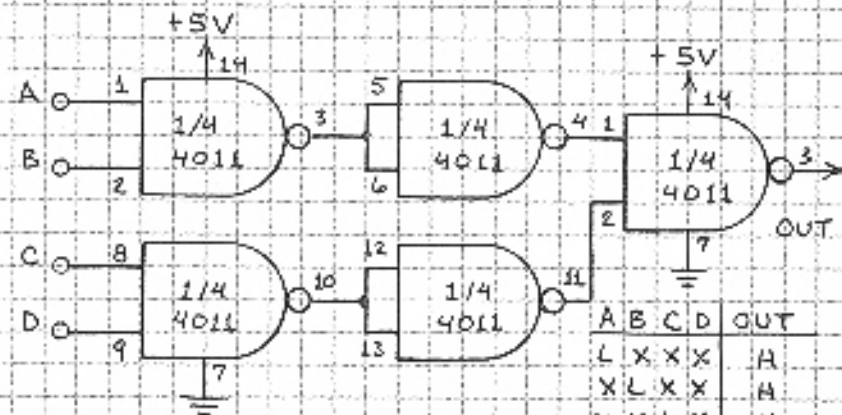
A	B	OUT
L	L	L
L	H	L
H	L	L
H	H	H

## OR GATE



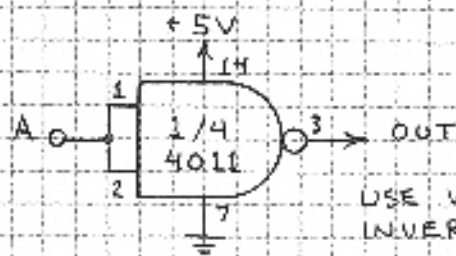
A	B	OUT
L	L	L
L	H	H
H	L	H
H	H	H

# 4-INPUT NAND GATE



A	B	C	D	OUT
L	X	X	X	H
X	L	X	X	H
X	X	L	X	H
X	X	X	L	H
H	H	H	H	L

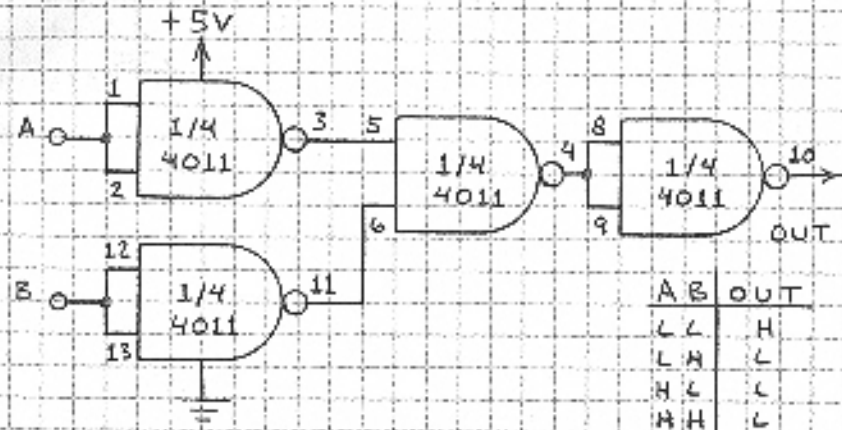
## INVERTER



A	OUT
L	H
H	L

USE WHEN STANDARD INVERTER UNAVAILABLE.

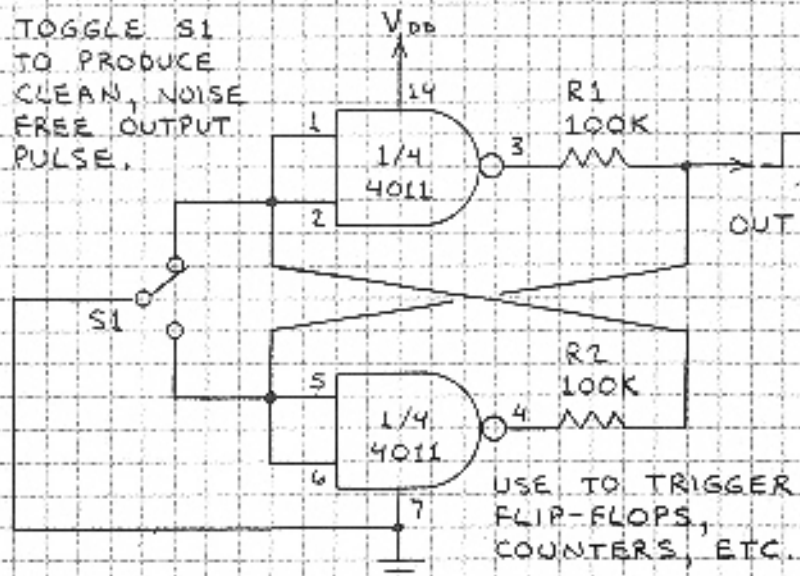
## NOR GATE



A	B	OUT
L	L	H
L	H	L
H	L	L
H	H	L

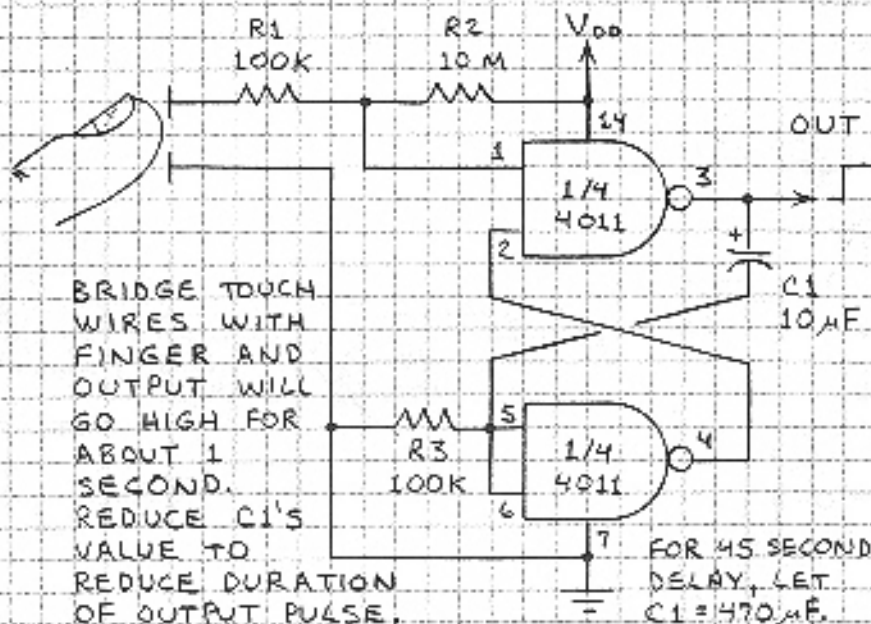
# SWITCH DEBOUNCER

TOGGLE S1 TO PRODUCE CLEAN, NOISE FREE OUTPUT PULSE.



USE TO TRIGGER FLIP-FLOPS, COUNTERS, ETC.

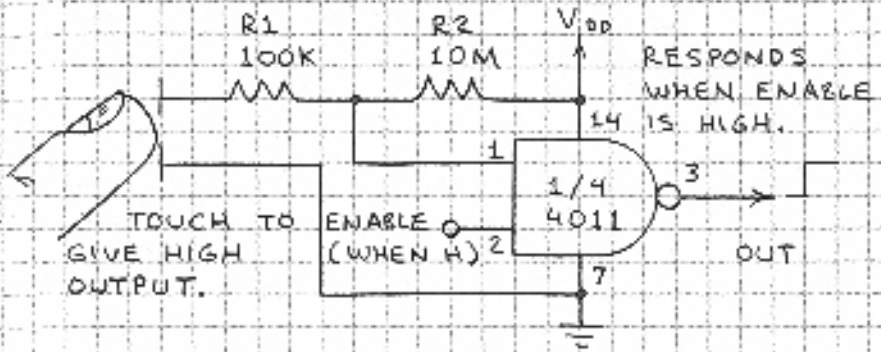
# ONE-SHOT TOUCH SWITCH



BRIDGE TOUCH WIRES WITH FINGER AND OUTPUT WILL GO HIGH FOR ABOUT 1 SECOND. REDUCE C1'S VALUE TO REDUCE DURATION OF OUTPUT PULSE.

FOR 45 SECOND DELAY, LET C1 = 470µF.

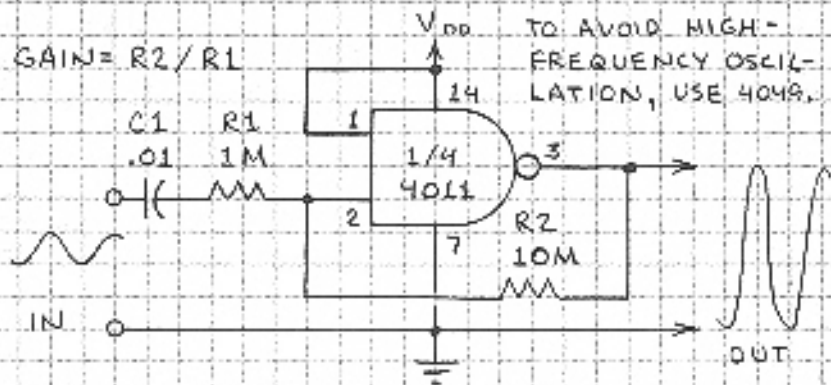
# STANDARD TOUCH SWITCH



TOUCH TO GIVE HIGH OUTPUT.

RESPONDS WHEN ENABLE IS HIGH.

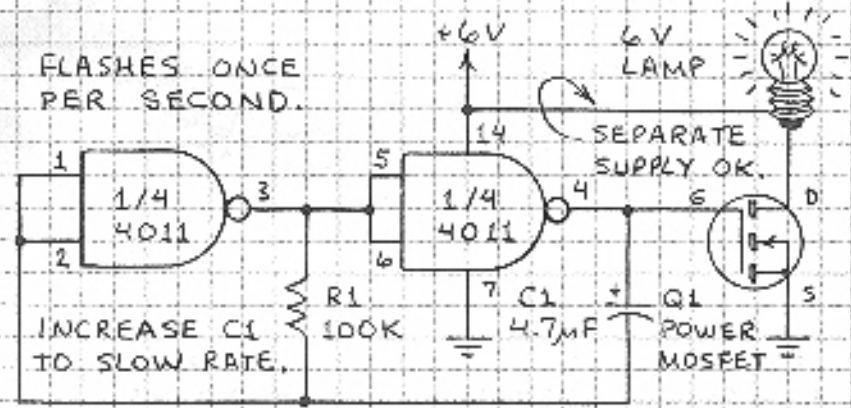
# X-10 LINEAR AMPLIFIER



GAIN = R2/R1

TO AVOID HIGH-FREQUENCY OSCILLATION, USE 4049.

# LAMP FLASHER



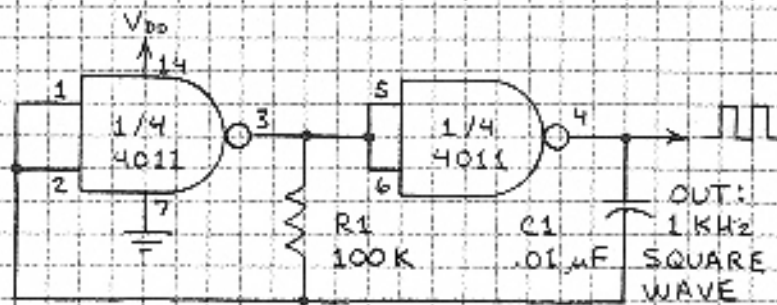
FLASHES ONCE PER SECOND.

SEPARATE SUPPLY OK.

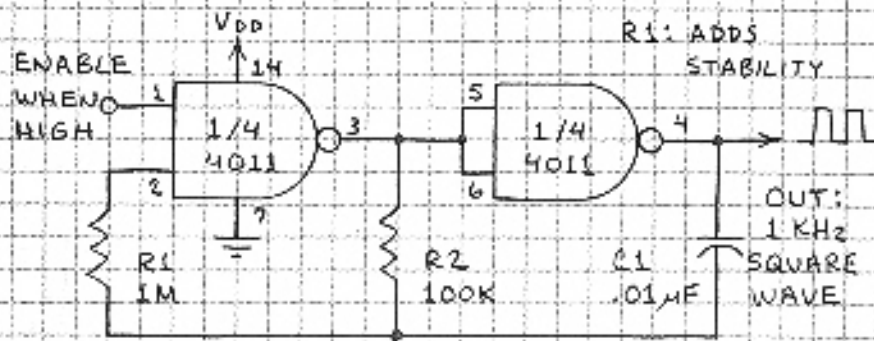
INCREASE C1 TO SLOW RATE.



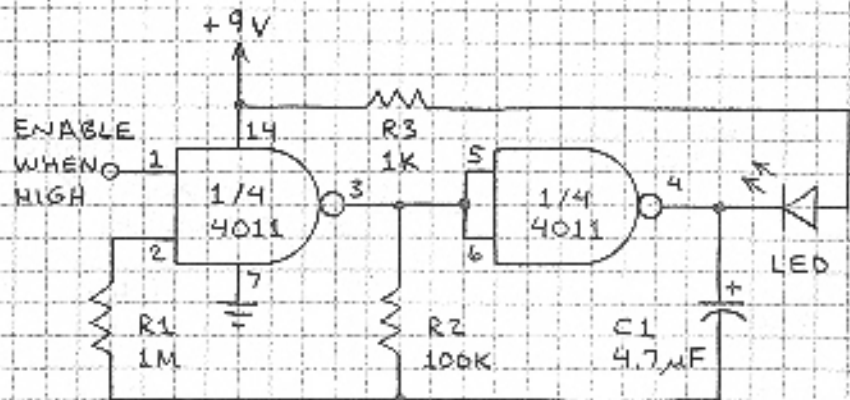
## SIMPLE OSCILLATOR



## GATED OSCILLATOR

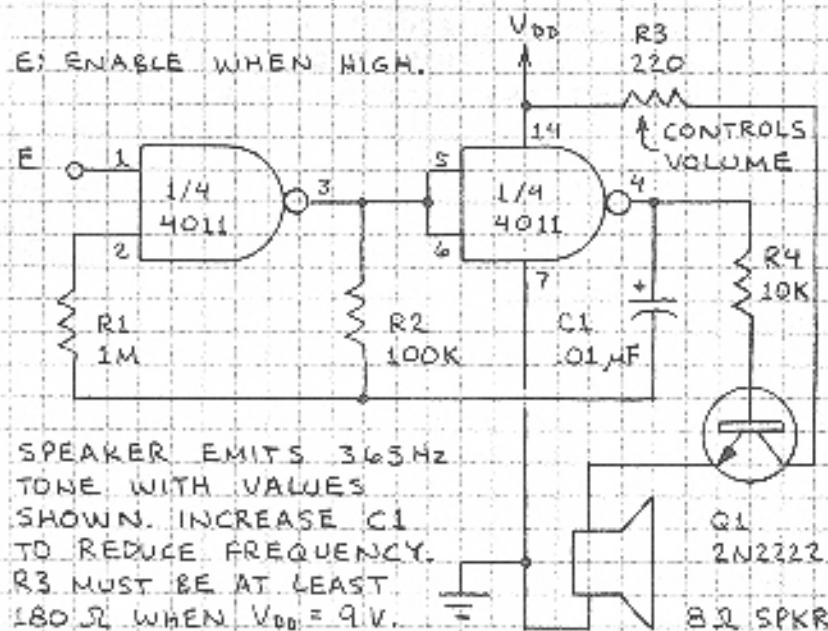


## GATED LED FLASHER



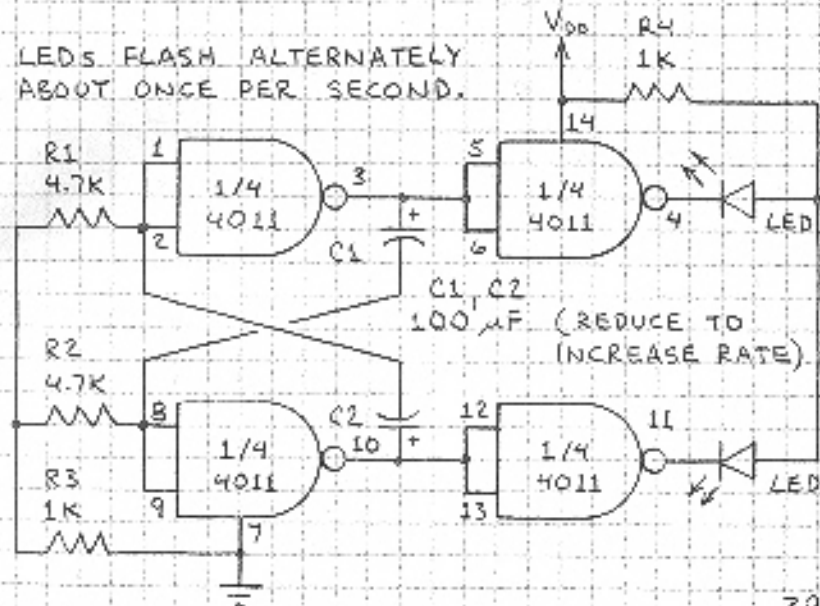
LED FLASHES 1-2 Hz WHEN ENABLE IS HIGH AND GLOWS CONTINUALLY WHEN ENABLE IS LOW.

## GATED TONE GENERATOR



SPEAKER EMITS 365Hz TONE WITH VALUES SHOWN. INCREASE C1 TO REDUCE FREQUENCY. R3 MUST BE AT LEAST 180Ω WHEN VDD = 9V.

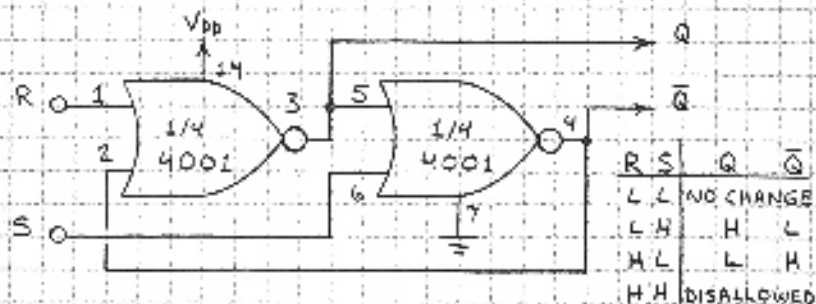
## DUAL LED FLASHER



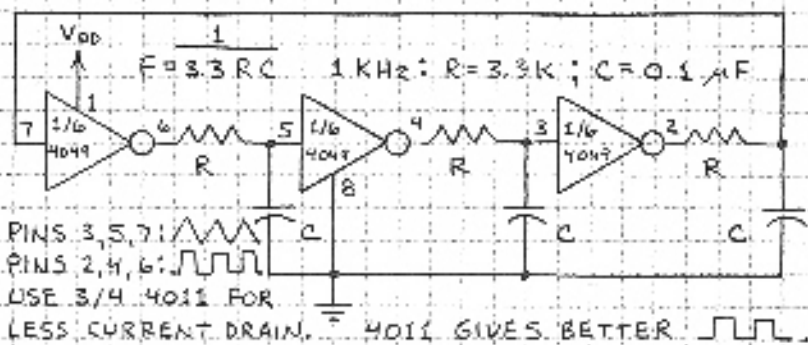
# CMOS APPLICATION CIRCUITS

THE FOLLOWING CIRCUITS ILLUSTRATE THE VERSATILITY OF CMOS LOGIC CHIPS. ALL UNUSED INPUT PINS MUST GO TO  $V_{DD}$  OR GROUND.

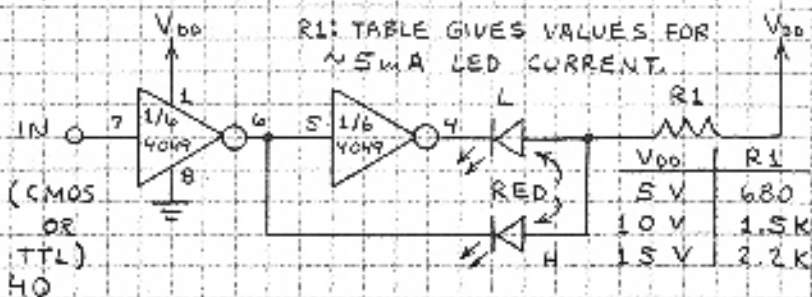
## RS LATCH



## PHASE-SHIFT OSCILLATOR

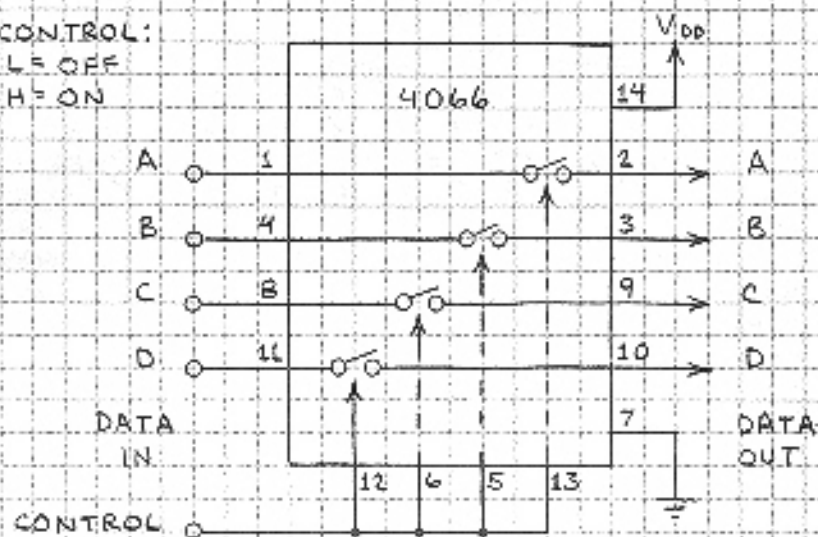


## LOGIC PROBE



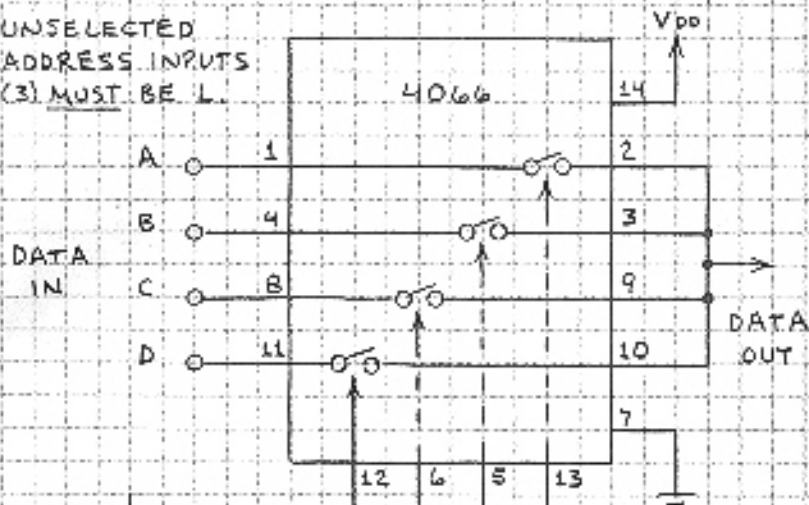
# 4-BIT DATA BUS CONTROL

CONTROL:  
 L = OFF  
 H = ON



## 1-OF-4 DATA SELECTOR

UNSELECTED ADDRESS INPUTS (3) MUST BE L.



ADDRESS	DATA OUT
D C B A	
L L L L	A
L L H L	B
L H L L	C
H L L L	D

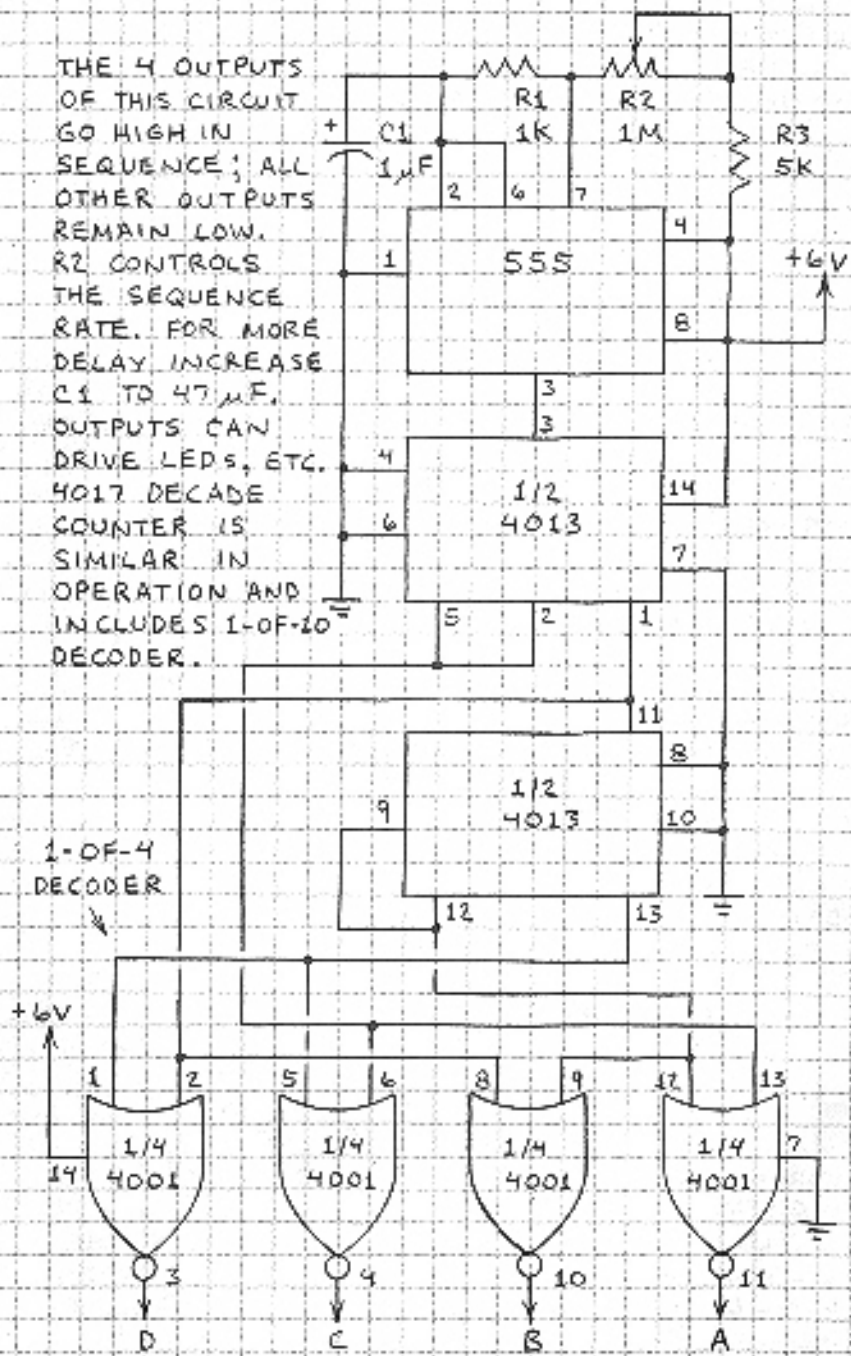
DATA SELECT (ADDRESS IN)

ONLY THE SELECTED ADDRESS CAN BE H.



# 1-OF-4 SEQUENCER

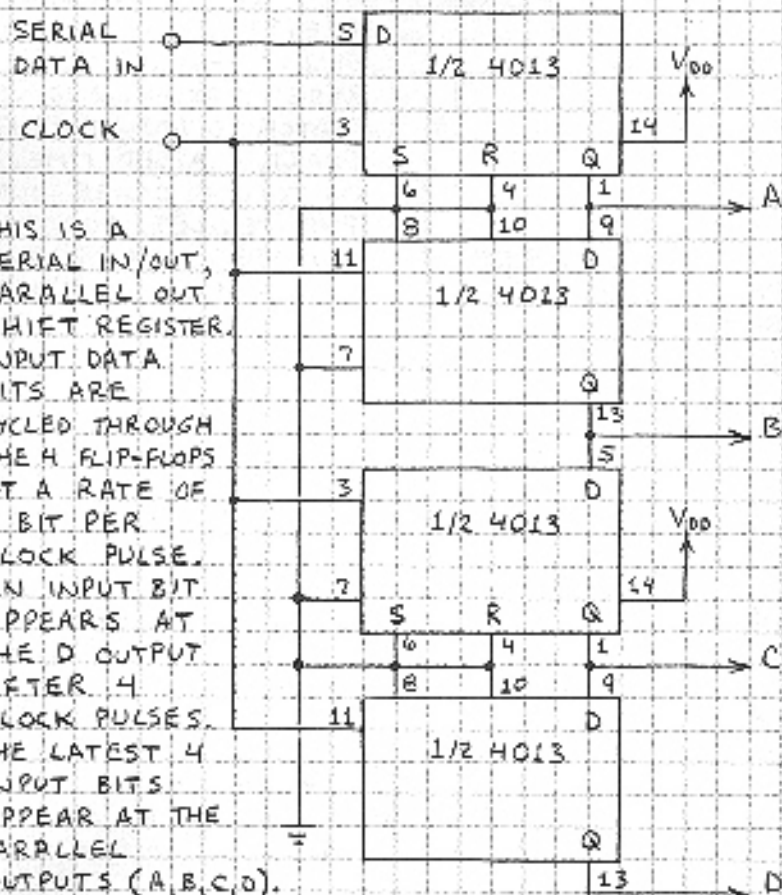
THE 4 OUTPUTS OF THIS CIRCUIT GO HIGH IN SEQUENCE; ALL OTHER OUTPUTS REMAIN LOW. R2 CONTROLS THE SEQUENCE RATE. FOR MORE DELAY INCREASE C1 TO 47  $\mu$ F. OUTPUTS CAN DRIVE LEDs, ETC. 4017 DECADE COUNTER IS SIMILAR IN OPERATION AND INCLUDES 1-OF-10 DECODER.



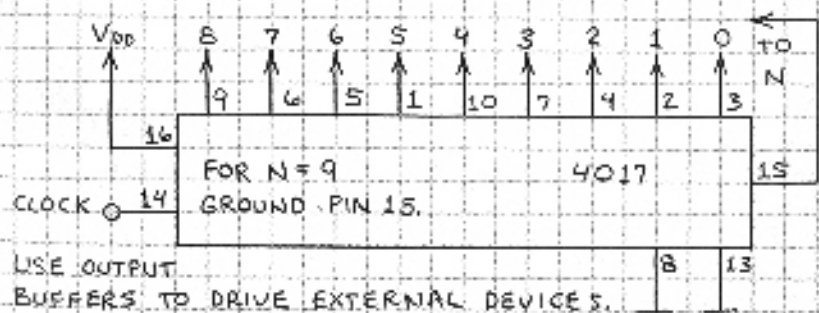
# SHIFT REGISTER

SERIAL DATA IN  
CLOCK

THIS IS A SERIAL IN/OUT, PARALLEL OUT SHIFT REGISTER. INPUT DATA BITS ARE CYCLED THROUGH THE 4 FLIP-FLOPS AT A RATE OF 1 BIT PER CLOCK PULSE. AN INPUT BIT APPEARS AT THE D OUTPUT AFTER 4 CLOCK PULSES. THE LATEST 4 INPUT BITS APPEAR AT THE PARALLEL OUTPUTS (A, B, C, D).

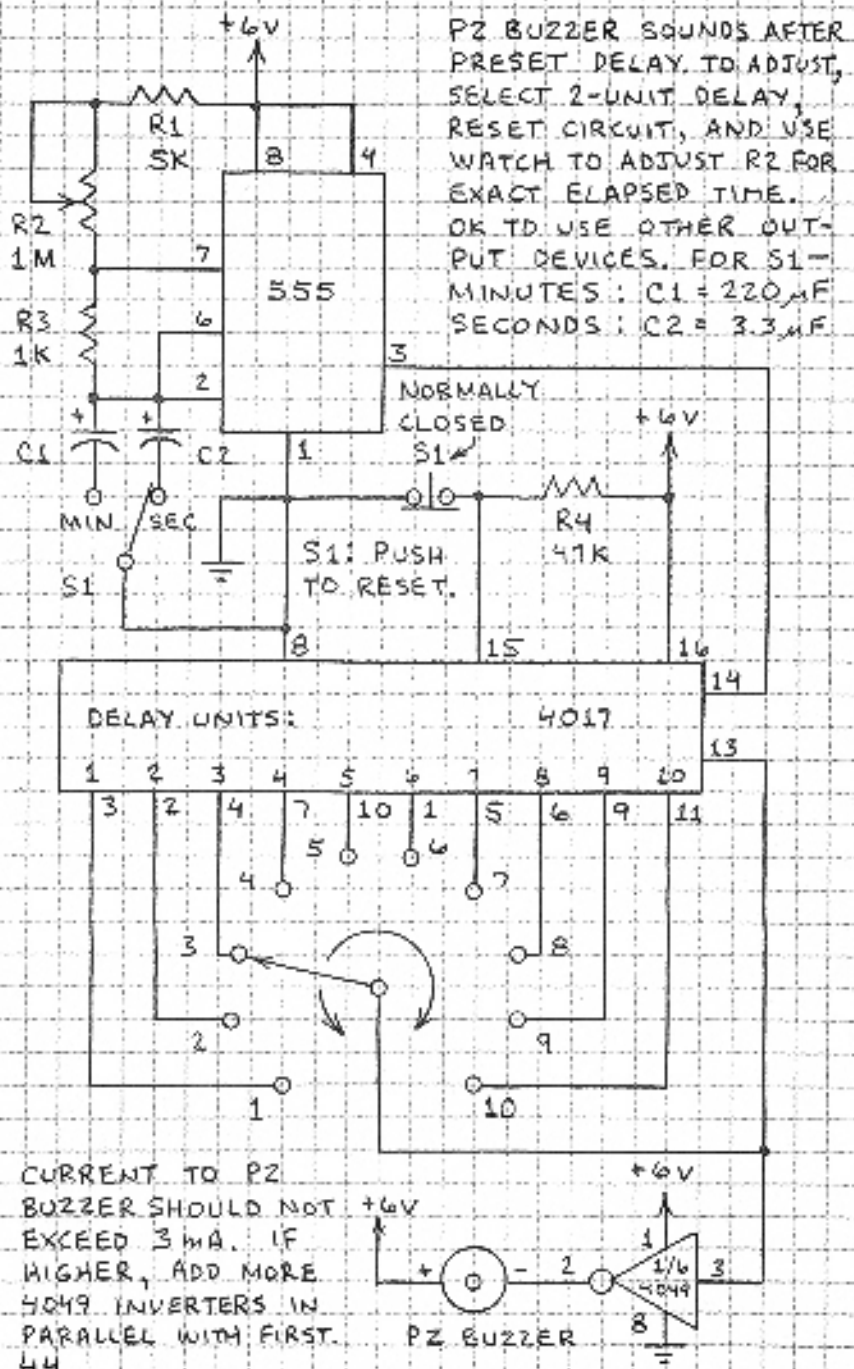


# COUNT TO N AND RECYCLE

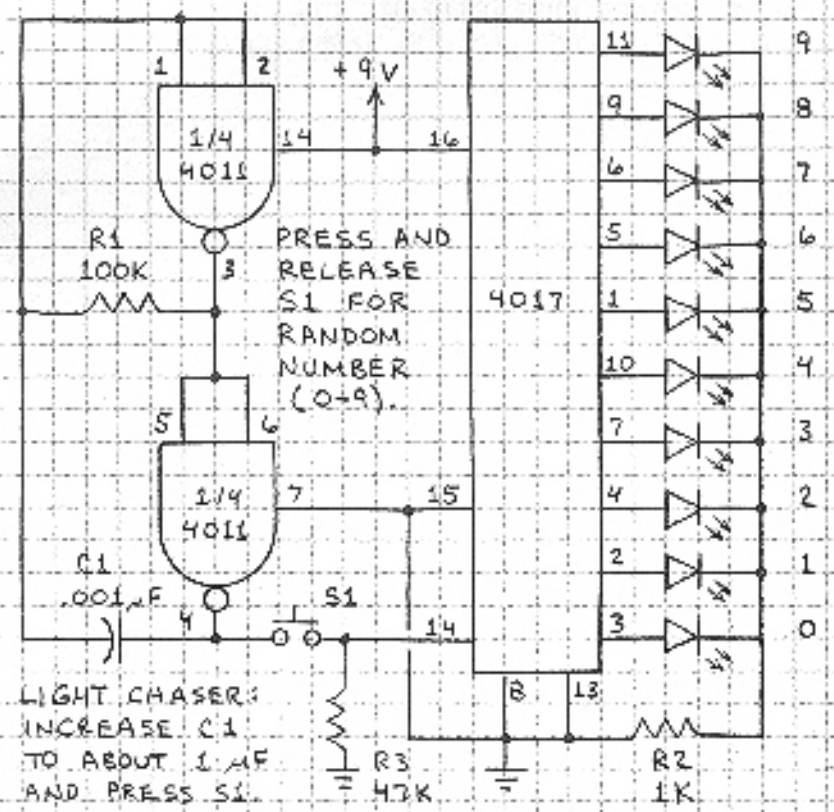


USE OUTPUT BUFFERS TO DRIVE EXTERNAL DEVICES.

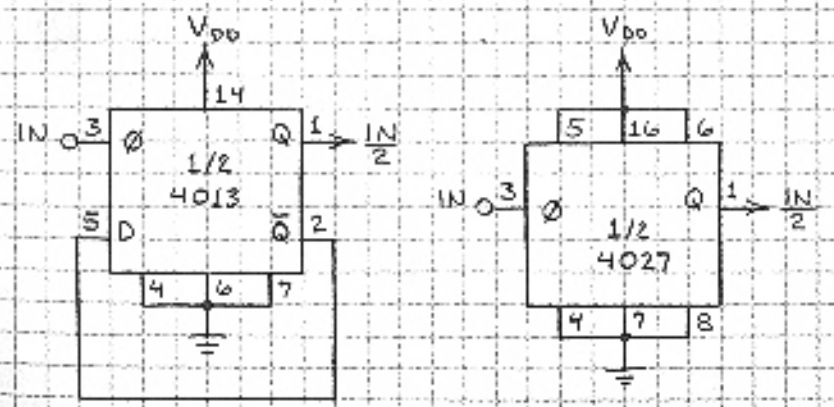
# PROGRAMMABLE TIMER



# RANDOM NUMBER GENERATOR



# DIVIDE-BY-TWO COUNTERS

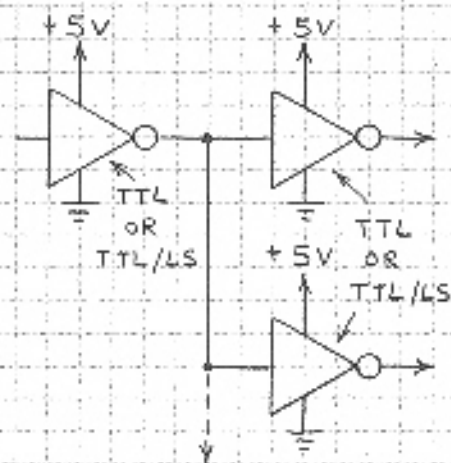




# LOGIC FAMILY INTERFACING

THESE GUIDELINES PERMIT TTL AND CMOS LOGIC CIRCUITS TO BE INTERCONNECTED.

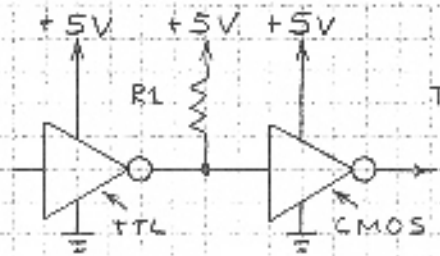
## TTL TO TTL



TTL  $\rightarrow$  10 TTL  
 TTL  $\rightarrow$  20 TTL/LS  
 TTL/LS  $\rightarrow$  5 TTL  
 TTL/LS  $\rightarrow$  10 TTL/LS

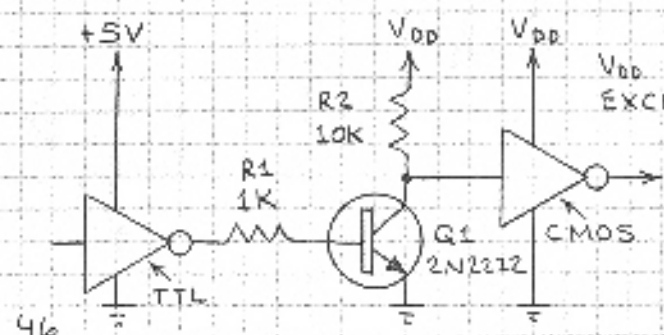
AVOID LONG INTERCONNECTION LEADS. USE BYPASS CAPACITORS TO DECOUPLE POWER SUPPLY NOISE (P.10).

## TTL TO CMOS



TTL:  $R1 = 470 - 4.7K$   
 TTL/LS:  $R1 = 1K - 10K$

NOTE THAT SUPPLY VOLTAGES ALL EQUAL 5V.

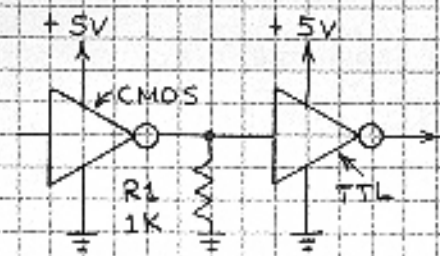


$V_{DD}$  MAY EXCEED 5V.

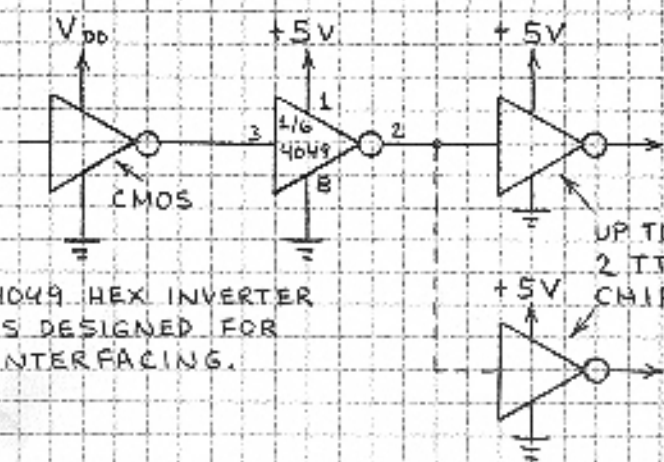
# CMOS TO CMOS

A CMOS GATE OUTPUT CAN DRIVE UP TO 50 CMOS INPUTS. AVOID LONG INTERCONNECTIONS AND CONNECT ALL UNUSED INPUTS TO  $V_{DD}$  OR GROUND.

## CMOS TO TTL

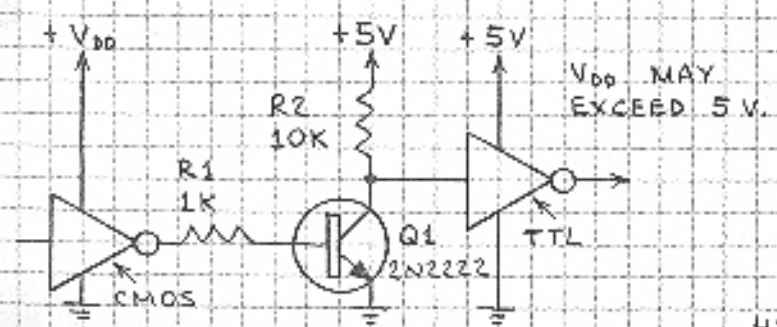


IF POSSIBLE, CHECK LOGIC INTERFACES WITH A LOGIC PROBE TO MAKE SURE THEY WORK AS INTENDED.



4049 HEX INVERTER IS DESIGNED FOR INTERFACING.

UP TO 2 TTL CHIPS



$V_{DD}$  MAY EXCEED 5V.

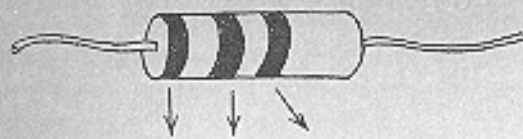
## DIGITAL LOGIC TROUBLESHOOTING

SOMETIMES A DIGITAL LOGIC CIRCUIT MAY FAIL TO OPERATE OR MAY OPERATE IMPROPERLY. THE TROUBLESHOOTING PROCEDURES GIVEN HERE WILL ENABLE THE SOURCE OF MOST PROBLEMS TO BE IDENTIFIED. A LOGIC PROBE IS VERY HELPFUL WHEN TESTING A LOGIC CIRCUIT. USE A COMMERCIAL UNIT OR BUILD YOUR OWN.

1. REMOVE POWER FROM THE CIRCUIT.
2. CHECK ALL WIRING CONNECTIONS.
3. ARE ANY CHIP PINS BENT AND NOT FULLY INSERTED IN THE SOCKET OR CIRCUIT BOARD?
4. ARE ALL SOLDER CONNECTIONS GOOD?
5. DO ALL INPUTS GO SOMEWHERE? EVEN INPUTS OF UNUSED CMOS GATES MUST GO TO  $V_{DD}$  OR GROUND.
6. DOES THE CIRCUIT OBEY ALL OPERATING REQUIREMENTS (SUPPLY VOLTAGE, ETC.)?
7. DOES THE CIRCUIT INCLUDE DECOUPLING CAPACITORS CLOSE TO AND ACROSS THE SUPPLY PINS OF EVERY FEW CHIPS?
8. ARE THE INPUTS AND OUTPUTS OF ALL LOGIC CHIPS PROPERLY INTERFACED?

IF THESE STEPS DO NOT ISOLATE THE SOURCE OF THE PROBLEM, ONE OR MORE LOGIC CHIPS MAY BE DEFECTIVE. REMEMBER THAT CMOS CHIPS ARE ESPECIALLY VULNERABLE TO STATIC ELECTRICITY AND IMPROPER INPUT AND OUTPUT LOADING. FINALLY, BE SURE THE POWER SUPPLY WORKS PROPERLY AND IS CAPABLE OF PROVIDING SUFFICIENT CURRENT TO THE CIRCUIT IT POWERS.

## RESISTOR COLOR CODE



BLACK	0	0	$\times 1$
BRDWN	1	1	$\times 10$
RED	2	2	$\times 100$
ORANGE	3	3	$\times 1,000$
YELLOW	4	4	$\times 10,000$
GREEN	5	5	$\times 100,000$
BLUE	6	6	$\times 1,000,000$
VIOLET	7	7	$\times 10,000,000$
GRAY	8	8	$\times 100,000,000$
WHITE	9	9	—

FOURTH BAND INDICATES TOLERANCE (ACCURACY):  
GOLD =  $\pm 5\%$     SILVER =  $\pm 10\%$     NONE =  $\pm 20\%$

OHM'S LAW:  $V = IR$      $R = V/I$   
 $I = V/R$      $P = VI = I^2R$

## ABBREVIATIONS

A = AMPERE	R = RESISTANCE
F = FARAD	V = VOLT
I = CURRENT	W = WATT
P = POWER	$\Omega$ = OHM

M (MEG-)	= $\times 1,000,000$
K (KILO-)	= $\times 1,000$
m (MILLI-)	= .001
$\mu$ (MICRO-)	= .000 001
n (NANO-)	= .000 000 001
p (PICO-)	= .000 000 000 001