

# ČESKÁ ZBROJOVKA UHERSKÝ BROD

## ZKK 600, 601, 602

### SAFETY AND INSTRUCTION MANUAL



#### SECTION 1

#### PRECAUTIONS

**READ AND UNDERSTAND ALL THE FOLLOWING INSTRUCTIONS BEFORE REMOVING THIS FIREARM FROM ITS PACKAGE.**

This ČZ product is classified by the Alcohol, Tobacco and Firearms Division of the Internal Revenue Service, U.S. Treasury Department, as a firearm or dangerous weapon; it is, therefore, potentially lethal!

**WARNING : IF THIS FIREARM IS CARELESSLY OR IMPROPERLY HANDLED, UNINTENTIONAL DISCHARGE COULD RESULT AND COULD CAUSE INJURY, DEATH, OR DAMAGE TO PROPERTY.**

**CAUTION : THIS INSTRUCTION MANUAL, WHICH GIVES BASIC ADVICE ON THE PROPER HANDLING AND FUNCTIONING OF THIS ČZ FIREARM PRIOR TO LOADING AND FIRING, should be read carefully. However, your safety and the safety of others (including your family) depend on your compliance with this advice and with your adoption, development and constant employment of safe practices.**

If unfamiliar with firearms, seek further advice through safe handling courses run by your local gun clubs, NRA approved instructor, or similarly qualified organizations.

**SAFETY DEPENDS ON YOU**

## NOTICE

Česká Zbrojovka (ČZ) shall not be responsible for injury, death, or damage to property resulting from either intentional or accidental discharge of this firearm, or from its function when used for purposes or subjected to treatment for which it was not designed. ČZ will not honor claims involving this firearm which result from careless or improper handling, unauthorized adjustment or parts replacement, corrosion, neglect, use of wrong caliber ammunition, or use of ammunition other than original high quality commercially manufactured ammunition in good condition, or any combination thereof.

ČZ will not honor claims involving this firearm for any reason or cause when such claims are made by the second or subsequent owner.

## IMPORTANT

Before leaving the factory, this firearm was tested, carefully inspected, and packed. ČZ cannot control product handling after it leaves the factory; therefore, please examine this firearm carefully at the time of purchase to insure that it is unloaded and undamaged. The dealer will be pleased to assist you in making this examination and endeavor to answer your further questions. This instruction manual should always accompany this firearm. When you lend, give or sell this firearm, be sure this manual goes with it.

2

## SAFETY DEPENDS ON YOU

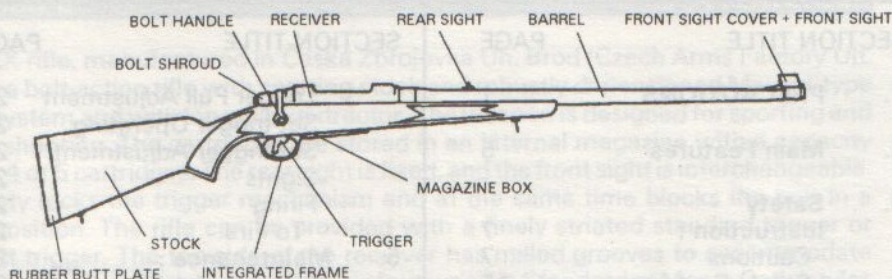


FIGURE 1

**CAUTION :** ALWAYS KEEP AND CARRY YOUR RIFLE EMPTY, WITH THE STRIKER IN FORWARD EXCEPT WHEN YOU INTEND TO SHOOT, so that your RIFLE cannot be fired when you do not mean to fire it.

**CAUTION :** USE ONLY CLEAN, DRY ORIGINAL HIGH QUALITY COMMERCIALY MANUFACTURED AMMUNITION IN GOOD CONDITION which is appropriate to the caliber of your rifle - see following table and Section 3 Caution 14. And never carry the rifle with a round in the chamber until ready to shoot.

## LIST OF SECTIONS

SECTION TITLE	PAGE	SECTION TITLE	PAGE
1. <b>PRECAUTIONS</b>	1	Trigger Pull Adjustment	22
2. <b>Main Features</b>	5	Set-trigger Operating	23
3. <b>Safety</b>		Set-trigger Adjustment	24
<b>Instruction :</b>	7	Sights	25
Cautions	7	Firing	27
Safety Features :	15	To Fire	28
Trigger Guard	15	5. <b>Maintenance :</b>	31
		Stripping for Cleaning	32
Safety	16	When to Clean	33
Cocking Indicator	17	How to Clean	34
Pressure Relief Ports	17	Cleaning Procedure	34
		Storage	36
4. <b>Function :</b>	18	Servicing and Repair	37
Internal Magazine		6. <b>Parts Illustration</b>	
Loading	19	and List	39
Unloading of the Firearm	20		

4

**SAFETY DEPENDS ON YOU**

## SECTION 2

## MAIN FEATURES

The ZKK rifle, manufactured in Česká Zbrojovka Uh. Brod (Czech Arms Factory Uh. Brod), is a bolt-action rifle with sporting stock and robustly dimensioned Mauser-type breech system and with long claw extractor. The weapon is designed for sporting and hunting shooting. The cartridges are stored in an internal magazine with a capacity of either 4 or 5 cartridges. The rear sight is fixed, and the front sight is interchangeable. The safety locks the trigger mechanism and at the same time blocks the bolt in a closed position. The rifle can be provided with a finely striated standard trigger or single-set trigger. The top side of the receiver has milled grooves to accommodate scope mounts. The stocks are made of walnut wood in Standard or Monte Carlo styles with a cheekpiece. The rifles are manufactured in three sizes which differ in the length of action :

Length of action ZKK model	Short 601	Medium 600	Long 602
Caliber	.243 Win. .308 Win.	7 x 57 7 x 64 8 x 57 S .270 Win. 30-06 Springfield	.375 H&H Magnum .458 Win. Magnum .300 Win. Magnum

**SAFETY DEPENDS ON YOU**

5

Length of action ZKK model	Short 601	Medium 600	Long 602
Weight (kg/lbs)	3.25/7.2	3.25/7.2	4.20/9.3
Overall length (mm/in.)	1095/43.1	1100/43.3	1150/45.3
Barrel length (mm/in.)	600/23.6	600/23.6	635/25
Distance between sights (mm/in.)	460/18.1	460/18.1	495/19.5
Magazine capacity (cartridges)	5	5	4

## SECTION 3

## SAFETY INSTRUCTION

We want you to enjoy shooting your ZKK rifle, but we want you to enjoy it safely. You may be an experienced, safe shooter familiar with the procedures in this instruction manual, or you may never have handled a gun before. In either case we urge you to READ THIS ENTIRE INSTRUCTION MANUAL CAREFULLY. YOU MUST FOLLOW THE SAFETY INSTRUCTIONS FOR YOUR SAFETY AND THE SAFETY OF OTHERS.

**WARNING:** When you squeeze the trigger, you should be fully prepared for the gun to fire, and you must take full responsibility for firing it. Your care can avoid accidental discharge, and you will thereby avoid accidental injury and death.

## CAUTIONS:

## General Handling Cautions

1. ALWAYS HANDLE YOUR FIREARM AS IF IT WERE LOADED so that you never fire it accidentally when you think it is unloaded.

2. NEVER POINT YOUR FIREARM AT ANYTHING YOU DO NOT INTEND TO SHOOT so that if it fires accidentally, injury, death, or damage to property will be prevented.

3. NEVER TAKE ANYONE'S WORD THAT A GUN IS UNLOADED; check for yourself with your finger off the trigger and gun pointed in a safe direction, so that you never fire the gun accidentally when you think it is unloaded.

4. ALWAYS MAKE SURE THAT YOUR FIREARM IS NOT LOADED AND THAT THE BOLT IS OPEN SO THAT IT CANNOT BE FIRED WHEN IT IS UNSAFE TO DO SO.

5. ALWAYS KEEP AND CARRY YOUR FIREARM EMPTY WITH THE STRIKER IN NON-ACTIVATED POSITION except when you intend to shoot, so that your firearm cannot be fired when you do not mean to fire it.

6. ALWAYS BE AWARE OF POSSIBLE RISK FROM DROPPING YOUR FIREARM. Some parts of the mechanism could be damaged. You may not see the damage but, if it is severe, the firearm may discharge and cause injury, death, or damage to property. If your firearm has been dropped, have it examined and tested by a competent gunsmith before using it again.

## 8 SAFETY DEPENDS ON YOU

7. NEVER LEAVE THE FIREARM COCKED AND READY TO FIRE as this condition is extremely dangerous, and the firearm could easily be accidentally discharged, causing injury, death, or damage to property.

8. NEVER LEAVE A LOADED FIREARM UNATTENDED. Someone, especially a child, may fire it and cause injury, death, or damage to property.

9. ALWAYS INSTRUCT CHILDREN TO RESPECT FIREARMS. If you teach your children to shoot, teach them or get them trained by a qualified instructor to handle and use the firearm properly, and always supervise them closely. Always stress safety so that your children will not fire the firearm when it is unsafe to do so.

### Range Cautions

10. ALWAYS BE SURE YOUR BACKSTOP IS ADEQUATE to stop and contain bullets before beginning target practice so that you do not hit anything outside the range shooting area.

11. ALWAYS PUT A KNOWLEDGEABLE AND RESPONSIBLE PERSON IN CHARGE TO MAINTAIN SAFETY CONTROL WHEN A GROUP IS FIRING ON A RANGE. Obey his/

her commands so that discipline is maintained and the likelihood of accidents reduced.

12. ALWAYS CARRY YOUR FIREARM EMPTY WITHOUT A BOLT OR WITH THE BOLT IN AN OPEN POSITION WHILE ON A RANGE. To eliminate the risk of injury, death, or damage to property, keep it pointed towards the backstop when loading, firing and unloading.

### **Loading Cautions**

13. ALWAYS BE SURE BARREL BORE, CHAMBER AND ACTION ARE CLEAN AND CLEAR OF OBSTRUCTIONS. Clean a dirtied firearm immediately so that it will function properly and safely.

14. ALWAYS USE ONLY CLEAN, DRY, ORIGINAL, HIGH QUALITY COMMERCIALY MANUFACTURED AMMUNITION IN GOOD CONDITION WHICH IS APPROPRIATE TO THE CALIBER OF YOUR FIREARM. (The caliber is engraved on the barrel). Gun and ammunition manufacturers design their products within exacting engineering safety limits. Since handloads and remanufactured ammunition sometimes exceed these limits, they can be so unsafe as to blow up the chamber, bolt action and receiver and cause injury, death, or damage to property.

10

**SAFETY DEPENDS ON YOU**

---

### **Shooting Precautions**

15. NEVER DRINK ALCOHOLIC BEVERAGES OR TAKE DRUGS BEFORE OR DURING SHOOTING, as your vision, coordination and judgment could be seriously impaired, thereby making gun handling unsafe.

16. ALWAYS SEEK A DOCTOR'S ADVICE IF YOU ARE TAKING MEDICATION to be sure that you are fit to shoot and to handle your firearm safely.

17. ALWAYS WEAR AND ENCOURAGE OTHERS TO WEAR EAR PROTECTION WHEN SHOOTING, especially on a range. Without ear protection, the noise of even one shot from your firearm, or from other guns close to you, could leave a "ringing" in the ears for some time after firing, while the cumulative long-term effect could be permanent hearing loss.

18. ALWAYS WEAR AND ENCOURAGE OTHERS TO WEAR PROTECTIVE SHOOTING GLASSES. Flying particles could damage eyes and cause blindness; but such injury can be prevented by using protective shooting glasses.

19. ALWAYS KEEP THE SAFETY ON WHEN THE FIREARM IS LOADED AND

**SAFETY DEPENDS ON YOU**

11

COCKED UNTIL YOU ARE READY TO FIRE. This will minimize the risk of accidental discharge.

20. ALWAYS KEEP CLEAR AND KEEP OTHERS CLEAR OF THE EJECTION PORT. Spent cartridges are ejected with enough force to cause injury. The ejection port must also be unobstructed by your hand to insure safe ejection of live rounds.

21. NEVER SQUEEZE THE TRIGGER OR PUT YOUR FINGER IN THE TRIGGER GUARD UNTIL YOU ARE AIMING AT A TARGET AND READY TO SHOOT. This will prevent your firing the firearm when it is pointed in an unsafe direction.

22. ALWAYS BE ABSOLUTELY SURE OF YOUR TARGET AND THE AREA BEHIND IT BEFORE YOU SQUEEZE THE TRIGGER. A bullet could travel through or past your target up to 1 1/2 miles. If in doubt, don't shoot.

23. NEVER SHOOT AT A HARD SURFACE SUCH AS ROCK, OR A LIQUID SURFACE SUCH AS WATER. A bullet may ricochet and travel in any direction to strike you, or an object you cannot see, causing injury, death, or damage to property.

24. NEVER FIRE YOUR FIREARM NEAR AN ANIMAL unless it is trained to accept the

noise; an animal's startled reaction could injure it or cause an accident.

25. NEVER INDULGE IN "HORSEPLAY" WHILE HOLDING YOUR FIREARM, as it may be accidentally discharged.

26. NEVER WALK, CLIMB OR FOLLOW A COMPANION WITH YOUR FIREARM READY TO FIRE to eliminate risk of accidental discharge. When hunting, hold your firearm so that you can always control the direction of the muzzle.

#### Malfunction Cautions

27. NEVER ATTEMPT TO FIRE IF WATER IS IN THE BARREL. Water can accumulate if your firearm is exposed to heavy rain or fog. Open the bolt and allow water to drain before firing. Clean a wet firearm as soon as possible.

28. FAILURE TO FIRE : ALWAYS HOLD THE FIREARM, KEEPING IT POINTED TOWARD THE TARGET OR A SAFE OPEN AREA AND WAIT 30 SECONDS WHEN IT FAILS TO FIRE. If a hangfire (slow ignition) has occurred, the round will fire within 30 seconds. If the round does not fire, remove magazine, eject round and examine primer; if firing pin indent on primer appears normal (in comparison with similar

previously fired rounds), assume faulty ammunition; segregate misfired round from other live ammunition and empty cases, reload and resume firing.

**Note 2 :** Dispose of misfired rounds in accordance with ammunition manufacturer's instructions.

29. NEVER USE YOUR FIREARM IF IT FAILS TO FUNCTION PROPERLY, AND NEVER FORCE A JAMMED ACTION, as a round may explode, causing serious injury, possible death, or severe damage to your firearm.

### **Cleaning and Storage Cautions**

30. ALWAYS MAKE SURE YOUR FIREARM IS NOT LOADED BEFORE CLEANING, STORING, TRAVELING, LAYING IT DOWN, OR HANDING IT TO ANOTHER PERSON, so that it cannot be fired when it is unsafe to do so.

31. ALWAYS KEEP AND STORE YOUR FIREARM AND AMMUNITION IN SEPARATE LOCKED RECEPTACLES OUT OF REACH AND SIGHT OF CHILDREN AND UNTRAINED PEOPLE, to minimize the risk of firearm and ammunition being easily available for loading and firing.

### **Gun Abuse Precautions**

32. NEVER ABUSE YOUR FIREARM by using it for any purpose other than shooting.

33. Do not alter parts, as the level of safety could be reduced.

**NOTE :** Please note that we have chosen to use the word "SQUEEZE" in this instruction manual instead of "PULL" or "PRESS" when trigger movement is described; this is simply to remind you of the need for a gentle squeezing action to achieve accuracy.

### **SAFETY FEATURES**

The ZKK rifle is a bolt-action firearm having several positive safety features which, if properly employed, can minimize the danger of accidental discharge or injury, death or damage to property. These safety features are further described in more detail.

#### **TRIGGER GUARD**

The Trigger Guard is a metal loop around the trigger to protect it from damage and to help prevent accidental discharge.



## SAFETY

The Safety is located at the rear right side of the receiver, behind the bolt handle. The safety has two positions marked by the inscriptions "FIRE" and "SAFE". An additional red dot is also visible on the bolt handle to signal danger - the firearm in off - safe mode. When transferring the safety to "SAFE" position the red dot is covered and the safety locks the trigger mechanism, while at the same time blocks the bolt in a closed position.

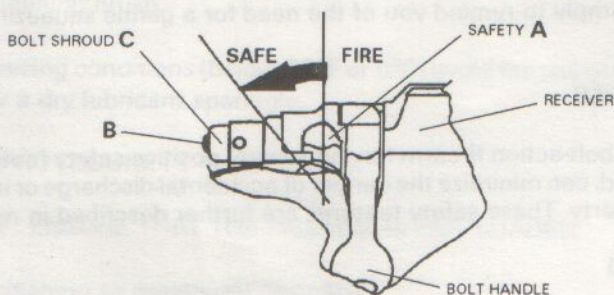


FIGURE 2

When the safety is disengaged discharge cannot occur even when the trigger was depressed prior to engagement of the safety. Notwithstanding this, always point the muzzle of your rifle in a safe direction when disengaging the safety and keep your fingers off the trigger guard.

### COCKING INDICATOR

Protrusion of the rear part of the striker from the bolt shroud indicates that the striker is activated. In low visibility circumstances you can check the cocked striker by touch.

### PRESSURE RELIEF PORTS

In the event that the cartridge case bursts or the primer drops, the receiver is provided with spacious ports which vent combustion gases to both sides. The bolt shroud is provided with a gas shield which protects the face of the shooter in such an instance.

**IMPORTANT :** These safety devices are designed and installed in this firearm to prevent accidental discharge. Of course, this firearm is designed primarily to discharge bullets, and it will do this efficiently when it is loaded and you squeeze the trigger. Always expect the gun to fire when you squeeze the trigger.

The ZKK bolt-action rifle is ready to fire when the cartridge is in the chamber and the safety pushed to the "FIRE" position. By squeezing the trigger, the striker catch is released, and the striker starts moving toward the primer, which is activated by the striker. The primer ignites the main powder charge. The high pressure of gases drives the bullet down the barrel towards the muzzle while the rifling grooves impart spin to the bullet to stabilize its ballistic path.

To fire an additional round it is necessary to rotate the bolt handle upwards and pull it firmly to the rear position. At the same time the extractor withdraws the spent cartridge from the chamber and carries it attached to the bolt until the base of the cartridge strikes the ejector. The ejector propels the spent cartridge through the ejector port away from the firearm. For ensuring safe ejection of the spent cartridge, the rearward movement of the bolt must not be too slow. In its forward movement, the bolt catches the top cartridge from magazine box and feeds it into cartridge chamber. By rotating the bolt handle in the right downward direction, the breech is locked and the striker cocked. By doing so the rifle is ready for additional firing.

### INTERNAL MAGAZINE LOADING

**CAUTION :** TO MINIMIZE RISK OF UNINTENTIONAL DISCHARGE, LOAD LIVE AMMUNITION INTO FIREARM ONLY WHEN YOU ARE ABOUT TO SHOOT.

**CAUTION :** Read safety instructions - Section 3! ALWAYS EXERCISE EXTREME CARE TO KEEP MUZZLE POINTED IN A SAFE DIRECTION, WELL CLEAR OF YOUR BODY, particularly when loading and unloading.

**CAUTION:** Use only ammunition recommended in the inside front cover of this instruction manual as suitable for your firearm. **Examine the ammunition, particularly on and around the primer. Look for dents, scratches, and other signs of damage. Do not load damaged ammunition.** Loading of damaged ammunition could destroy your weapon and cause injury, death or other harm.

1. Open the bolt handle and pull it to its rear position.
2. Place cartridge into the internal magazine with the bullet towards the cartridge chamber and press it downward until caught by the head rims.
3. Place next cartridge on top of previous one and repeat loading until the

appropriate number of cartridges is loaded.

4. Close the bolt action by pushing the bolt handle forward and by rotating it in a right downward move. This procedure inserts the top cartridge from the internal magazine into the cartridge chamber and cocks the striker. The firearm is now ready to fire !

**CAUTION** : NEVER LEAVE FIREARM COCKED AND READY TO FIRE as the fire position is extremely dangerous, and the firearm could easily be accidentally discharged, causing injury, death, or damage to property.

**CAUTION** : TO MINIMIZE RISK OF UNINTENTIONAL DISCHARGE, LOAD LIVE AMMUNITION INTO FIREARM ONLY WHEN YOU ARE ABOUT TO SHOOT.

### UNLOADING OF THE FIREARM

1. Be sure you are familiar with the Safety Instructions in Section 3. Keep firearm pointed in a safe direction and do not touch the trigger.

2. Open the bolt and pull it rearward to extract and eject the cartridge from the chamber. Keep the bolt opened! Examine the previously chambered round for dents or other damage and dispose of it as explained in paragraph 7.

20

### SAFETY DEPENDS ON YOU

3. Press magazine floorplate catch (Fig.3, pos. A) and open the floorplate. During this procedure drop the cartridges from the internal magazine in to your hand to prevent any damage to them.

4. **CAUTION** : KEEP FIREARM POINTED IN A SAFE DIRECTION WHILE LOOKING IN THE CHAMBER TO ENSURE IT IS EMPTY.

5. Depress bolt stop (see Fig.4, pos. A) and remove bolt by moving it rearward. 6.

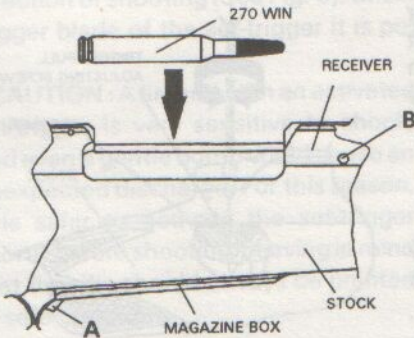


FIGURE 3

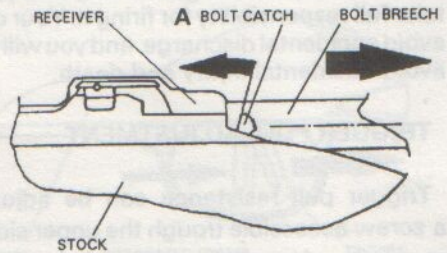


FIGURE 4

In the event, that you need to leave the bolt in the firearm, point the rifle in a safe direction, close the bolt and squeeze the trigger.

7. Collect undamaged live ammunition for safe storage and future use. Collect spent cartridge cases for disposal. **Segregate misfired and damaged live ammunition for disposal according to ammunition manufacturer's instructions.**

8. Clean the firearm as soon as possible, even when only one cartridge was fired.

**WARNING :** When you squeeze the trigger you must expect the gun to fire, and you must take full responsibility for firing it. Your care can avoid accidental discharge, and you will thereby avoid accidental injury and death.

### TRIGGER PULL ADJUSTMENT

Trigger pull resistance can be adjusted by a screw accessible through the upper side of the receiver after bolt removal (see Fig.5.). A screwdriver for this adjustment is included in the firearms accessories :

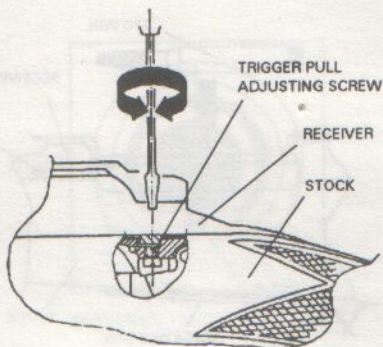


FIGURE 5

### SET-TRIGGER OPERATING

The standard rifle is provided with an adjustable set-trigger. (In the rifle's accessories there is also a finely striated conventional trigger, which can be fitted by a gunsmith instead of the set trigger). The set-trigger is designed for accurate shooting with low trigger pull resistance. The set-trigger is activated by firmly pushing it forward in the direction of shooting (See Fig. 6). Until it stops. Then, by gently squeezing the auxiliary trigger blade of the set-trigger it is possible to fire.

**CAUTION :** A firearm with an activated set-trigger is very sensitive to shock, and even a gentle bump could cause an unexpected discharge. For this reason, it is safer to activate the set-trigger shortly before shooting, bearing in mind that the rifle should always be pointed in safe direction.

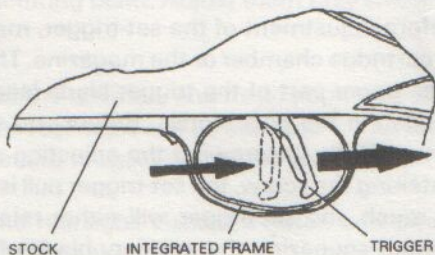


FIGURE 6

**CAUTION :** If you do not fire after activating the set-trigger, keep your firearm pointed in a safe direction while carefully applying the safety and then squeeze the trigger. You will then only hear "tick" sound of the set-trigger in the absence of a discharge. Only after doing this can you disengage the safety and unload the firearm as described above. Any other procedure could cause undesirable discharge and injury, death or damage to property.

## SET-TRIGGER ADJUSTMENT

Before adjustment of the set-trigger, make sure that there is no cartridge in either the cartridge chamber or the magazine. The set-trigger is adjusted by a screw located in the upper part of the trigger blade (see Fig. 6). A screw-driver for this purpose is included in the accessories. Before you start adjusting the set-trigger, you have to activate it. By unscrewing the adjusting screw, you increase the set-trigger pull; by tightening the screw, the set-trigger pull is reduced. If you tighten the adjusting screw too much, the set-trigger will either release itself without any outside force used (without squeezing the auxiliary blade of the set-trigger), or it will not catch in the notch of its cam surface. In this case, it is necessary to loosen the adjusting screw and continue reducing the set-trigger pull.

**CAUTION :** Adjusting the set-trigger pull for insufficient resistance could, with just a bump, produced an unintentional discharge and injury, death or damage to property. For this reason, after each set-trigger adjustment, make sure that normal use of your firearm cannot produce an unintended discharge. Before doing this ensure yourself that the firearm is not loaded and keep the muzzle pointed in a safe direction !

## SIGHTS

**NOTE :** The sights were set at the manufacturing plant. Adjust them only when it is really necessary.

1. The rear sight is attached to the barrel in the dovetail, and its position is secured by an indentation. By using suitable tools, the rear sight can be adjusted for windage. After each adjustment, it is necessary to secure it again within the indentation.

**NOTE :** With the ZKK- 602 Model, use the rearsight V-shaped notch and tiltable blades for distances of 200 and 300 m (616 and 925 ft.).

2. The front sight is mounted in a dovetail on the front side ramp and is secured by a spring-loaded catch (see Fig. 7). After depressing the spring-loaded catch, you can remove the front sight and replace it with a front sight of a different height or shape.

3. The front sight is protected against damage and against direct sunlight by a front sight cover. The cover can be removed by opening it slightly and shifting it in the direction of shooting.

4. The top surface of the receiver is provided with dovetail grooves to accommodate scope mounts. Attaching and sighting-in of the scope should be handled by a qualified gunsmith. If the firearm has been provided with a mounted scope as a special order for a customer, corrective sighting - in should be performed according to the instruction manual supplied with the scope.

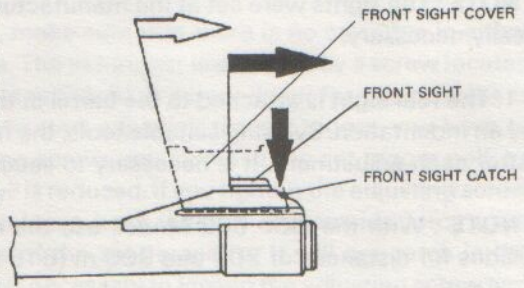


FIGURE 7

## FIRING

Before firing your ZKK rifle, practice your stance, aim, rhythm and breathing for steady aim, with your firearm UNLOADED. Practice firing on a range before using your firearm for any type of shooting.

### CAUTION :

1. ALWAYS WEAR AND ENCOURAGE OTHERS TO WEAR EAR PROTECTION WHEN SHOOTING, especially on a range. Without ear protection, the noise of just one round from your rifle, and from other guns close to you, could leave a "ringing" in your ears for some time after firing, while the cumulative long term effect could be permanent hearing loss.

2. ALWAYS WEAR AND ENCOURAGE OTHERS TO WEAR PROTECTIVE SHOOTING GLASSES. Flying particles could damage eyes and cause blindness; but protective shooting glasses can prevent such injury.

## TO FIRE

1. **CAUTION** : READ SAFETY INSTRUCTIONS (Section 3)- KEEP FIREARM POINTED IN A SAFE DIRECTION AND DO NOT TOUCH THE TRIGGER.

2. Load firearm as previously described.

3. Grasp firearm with one hand on forearm and other hand on pistol grip with index finger resting along and outside of trigger guard. Raise firearm and place buttstock firmly into shoulder.

4. Aim by aligning target with front and rear sights (see Fig. 8)

5. Disengage the safety of the firearm by shifting it to the "FIRE" position.

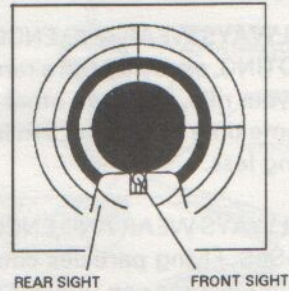


FIGURE 8

28

## SAFETY DEPENDS ON YOU

6. When precision shooting, is required activate the set-trigger, as described above.

7. Keeping steady aim, place your index finger on the trigger and squeeze gently until the striker is released. Do not jerk the trigger as you will disturb your aim and spoil your accuracy. To fire the second and subsequent rounds, is necessary to pull the bolt rearward to eject the spent cartridge and to feed another cartridge into the cartridge chamber.

8. Release trigger. Aim the firearm in a safe direction and, by shifting the safety to the "SAFE" position, engage the safety.

**CAUTION** : If your firearm fails to fire, keep it pointed towards the target and wait 30 seconds. If a hangfire (slow ignition) has occurred, the round will fire within 30 seconds. If the round does not fire, eject the round and examine the primer. If the firing pin indent on the primer is light, off-center or nonexistent, have the rifle examined by a qualified gunsmith before firing again.

If the firing pin on the primer appears normal (in comparison with similar previously

fired rounds), assume faulty ammunition; segregate misfired round from other live ammunition and empty cases; reload and carry on firing.

**NOTE :** Dispose of misfired rounds in accordance with the ammunition manufacturer's instructions.

**CAUTION :** KEEP FIREARM POINTED IN A SAFE DIRECTION. Unload as previously described.

**IMPORTANT :** If you cock your firearm but do not fire it, engage the Safety until ready to fire. If you subsequently do not fire, unload your firearm as previously described. Remember, if a round is in the chamber, there is a risk of accidental discharge.

## SECTION 5

## MAINTENANCE

Like any other precision mechanism, your firearm will function better, last longer, and remain safer when it is properly maintained. Follow the advice in this Section to keep your firearm in peak condition.

### WARNINGS :

1. TO PREVENT FIREARM FROM FIRING, ENSURE THAT NEITHER CARTRIDGE CHAMBER NOR MAGAZINE ARE LOADED BEFORE STRIPPING AND CLEANING.
2. TO PREVENT EYE INJURIES WEAR SAFETY GLASSES in case you lose control of some spring loaded component such as the recoil spring or plug.
3. NEVER ALTER PARTS AS THE LEVEL OF SAFETY COULD BE REDUCED.

**NOTE :** Force is unnecessary and should never be used to strip or assemble your firearm.



## STRIPPING FOR CLEANING

1. Read safety instructions in Section 3 and warnings above.
2. Press bolt stop (see Fig. 4, pos. A) and pull the bolt rearward out of the receiver. This procedure readies the firearm for cleaning of the barrel and basic maintenance.
3. If you want to dismantle the striker outside of the bolt, proceed as follows:
  - a) open and close the bolt to cock the striker spring
  - b) press disassembly catch at the left rear of the bolt (Fig. 4., pos.B), keep it pressed and at the same time continue to open the bolt
  - c) press bolt stop (Fig.4, pos. A) and pull the bolt rearward out of the receiver
  - d) screw off the striker with bolt shroud from the bolt by rotating it to the left
  - e) slip the screw-driver included in accessories to the firearm through the round hole in the handle on the striker to the spot where the spring is located and push it through the space between the last coils of the spring
  - f) rest striker opposite a suitable shallow depression so that the striker cannot slip, by the screw-driver press down spring towards the striker spring support plug with the screw-driver and unscrew the striker nut

**NOTE :** 1. Procedures e) and f) are not necessary for regular maintenance, rather they can be performed only when there is a specific need for them.

2. When performing reassembly, press down the striker spring in the same way as in disassembly and screw the striker nut up to stop.

**IMPORTANT :** Do not strip your firearm further than previously described. Do not remove or alter parts, particularly safety parts. If additional maintenance is required, see "Service and Repair" later in this instruction manual.

### WHEN TO CLEAN

You should clean your firearm as soon after firing as possible so that the job will be easier and the likelihood of corrosion reduced. When your firearm has not been fired, clean it periodically; we suggest once or twice a year in a temperate climate, or as often as once a month in a tropical climate. If you carry a loaded firearm, UNLOAD it and clean it at least once a month. If you get your firearm wet, clean it as soon as possible.

## HOW TO CLEAN

The following cleaning procedure may be used both periodically and after firing; however, those items marked "\*" need to be cleaned only after firing.

**Materials :** Cleaning rod, cotton flannel patches (cut to fit snugly into the bore), a small toothbrush, good quality light gun oil, \*gun cleaning solution, and \*a brass wire bristle bore cleaning brush.

**NOTE :** In freezing conditions (below 32°F or 0°C) avoid the use of oil for lubrication; instead, apply a dry lubricant sparingly.

### CLEANING PROCEDURE :

1. **CAUTION :** ENSURE THAT THE FIREARM IS NOT LOADED.
2. Strip for cleaning as previously described.

**NOTE :** Avoid contact between cleaning rod and muzzle as resultant wear will reduce accuracy.

3. Attach cotton flannel patch to end of cleaning rod, insert it into the breech and pass rod and patch down through barrel. Repeat, changing patches until last patch comes out clean.

4. Visually inspect barrel; if it is clean, proceed directly to cleaning as in Step 7, but if it remains dirty, continue with Step 5.

5. **NOTE :** (This procedure should be applicable only after firing.)

Dip the cleaning brush supplied with the rifle in a gun cleaning solution. Thoroughly scrub out barrel, passing the brush all the way through before reversing the movement. If you try to change direction with brush in barrel, the brush will stick.

6. Repeat Steps 3 and 4 above.

7. Clean rear face of barrel and face of the bolt, using a small brush.

8. Lightly moisten a flannel patch with gun oil and pass it once through barrel, leaving a thin film of oil on the inside surface. Leave this film of oil if firearm is to be stored. If it is not to be stored, or if it is being removed from storage for use, pass a dry patch through barrel to remove as much oil as possible.

9. Check that flannel or brush bristles have not become lodged in any part of firearm, then wipe all external surfaces with a flannel patch moistened with gun oil. (See note on cold weather lubrication.)

## **STORAGE**

**CAUTION** : ALWAYS UNLOAD YOUR FIREARM FOR STORAGE AND STORE AMMUNITION SEPARATELY.

Keep and store your firearm and ammunition securely locked and in separate locations out of reach and sight of children. (Children are naturally curious and do not always recognize the real danger of guns.)

### **NOTE :**

Do not store your firearm in an air-tight container, and do not seal or attempt to seal the barrel to exclude dust, as the internal steel surface is more likely to corrode. For carrying and storing of your empty firearm, use a rifle case or suitable case.

## **SERVICING AND REPAIR**

Should your firearm require adjustment or repair, make sure it is **NOT LOADED**, and take it or send it to the nearest **AUTHORIZED REPAIR SERVICE CENTER** (a list of addresses is provided separately). For spare parts, seek advice from the Dealer who should have up-to-date information on how best to obtain genuine ČZ parts.

An illustration and parts list are included in the next section of this instruction manual to help you identify the part you need, but it is important to note that all parts are not available for sale. Those parts which are available should be installed at an Authorized Repair Service Center. When ordering parts, please supply the part name and number as given on the Parts List. Also include the caliber, model name, serial number and metal finish of your firearm.

**IMPORTANT** : If you make unauthorized adjustments or use unauthorized parts, the manufacturer will not assume responsibility for the functioning of this firearm.

If your instruction manual becomes lost or destroyed, obtain a replacement by writing to

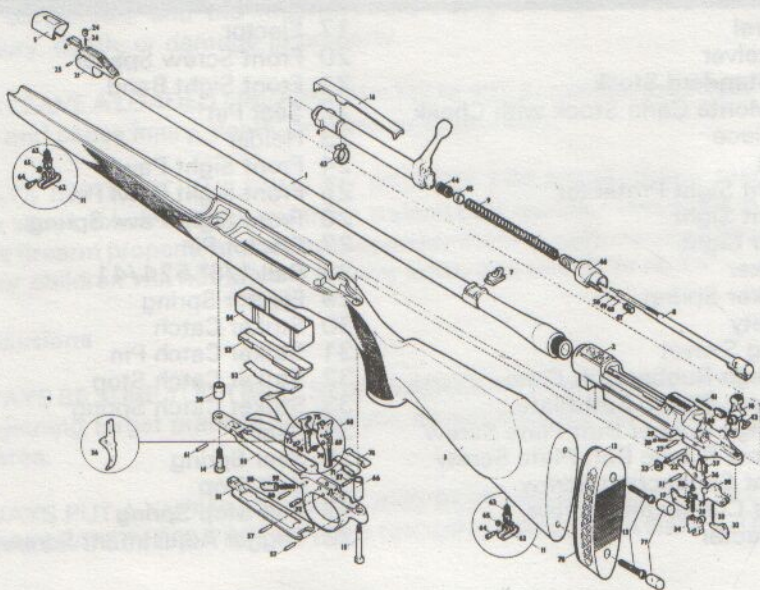
Importer: Action Arms Ltd.	or Manufacturer: Česká zbrojovka Uherský Brod
P.O.Box 9573	688 27 Uherský Brod
Philadelphia, PA 19124	Czechoslovakia
Tel. : (215) 744-0100	Tel. : +42 (0) 633 65
Fax : (215) 533-2188	Fax : +42 (0) 633 3665

Make a note of the address. When requesting a manual, include the information which is on the left side of your firearm together with its serial number or quote the Part No. as shown on the back cover of this manual.

This instruction manual should always accompany this firearm. When you lend, give or sell this firearm, be sure this manual goes with it.

38

**SAFETY DEPENDS ON YOU**



**SAFETY DEPENDS ON YOU**

39

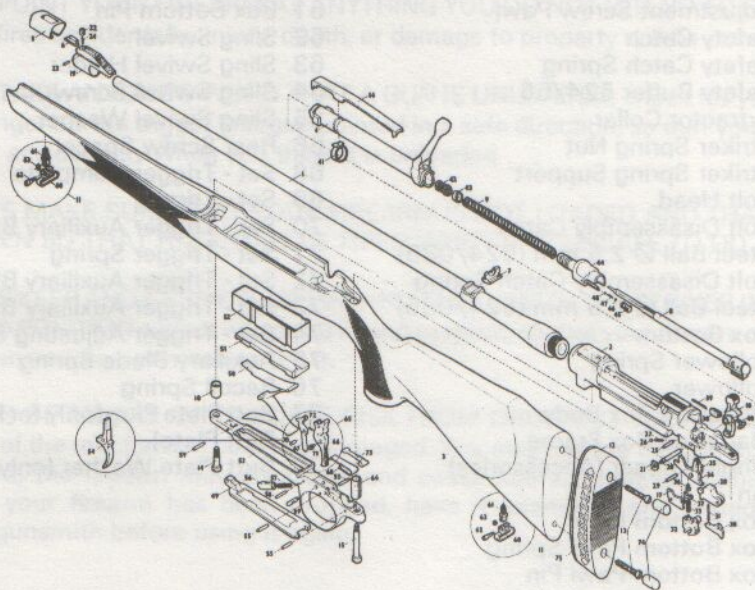
## ZKK 600 - LIST OF PARTS

- |                                       |                             |
|---------------------------------------|-----------------------------|
| 1 Barrel                              | 17 Ejector                  |
| 2 Receiver                            | 20 Front Screw Spacer       |
| 3 a) Standard Stock                   | 21 Front Sight Band         |
| b) Monte Carlo Stock with Cheek Piece | 22 Sear Pin                 |
| 4 Bolt                                | 23 Holder                   |
| 5 Front Sight Protector               | 24 Front Sight Pawl         |
| 6 Front Sight                         | 25 Front Sight Pawl Pin     |
| 7 Rear Sight                          | 26 Front Sight Pawl Spring  |
| 8 Striker                             | 27 Ejector Pin              |
| 9 Striker Spring                      | 28 Ball 1/8" 524/41         |
| 10 Safety                             | 29 Ejector Spring           |
| 11 Sling Swivel                       | 30 Striker Catch            |
| 12 a) High Rubber Butt Plate          | 31 Striker Catch Pin        |
| b) Low Plastic Butt Plate             | 32 Striker Catch Stop       |
| 13 a) High Rubber Butt Plate Screw    | 33 Striker Catch Spring     |
| b) Low Plastic Butt Plate Screw       | 34 Sear                     |
| 14 Front Connecting Screw             | 35 Sear Spring              |
| 15 Rear Connecting Screw              | 36 Bolt Stop                |
| 16 Extractor                          | 37 Bolt Stop Spring         |
|                                       | 38 Trigger Adjustment Screw |

40

## SAFETY DEPENDS ON YOU

- |  |  |
|--|--|
| 39 Adjustment Screw Pawl                     | 61 Box Bottom Pin                                    |
| 40 Safety Catch                              | 62 Sling Swivel                                      |
| 41 Safety Catch Spring                       | 63 Sling Swivel Holder                               |
| 42 Safety Buffer 524/56                      | 64 Sling Swivel Screw                                |
| 43 Extractor Collar                          | 65 Sling Swivel Washer                               |
| 44 Striker Spring Nut                        | 66 Rear Screw Spacer                                 |
| 45 Striker Spring Support                    | 68 Set - Trigger Complete                            |
| 46 Bolt Head                                 | 69 Set - Trigger                                     |
| 47 Bolt Disassembly Catch                    | 70 Set - Trigger Auxiliary Blade                     |
| 48 Steel Ball $\varnothing$ 2,5 mm (524/085) | 71 Set - Trigger Spring                              |
| 49 Bolt Disassembly Catch Spring             | 72 Set - Trigger Auxiliary Blade                     |
| 50 Steel Ball $\varnothing$ 2,5 mm (524/085) | 73 Set - Trigger Auxiliary Blade Pin                 |
| 51 Box Bottom                                | 74 Set - Trigger Adjusting Screw                     |
| 52 Follower Spring                           | 75 Auxiliary Blade Spring                            |
| 53 Follower                                  | 76 Recoil Spring                                     |
| 54 Magazine Box Body                         | 77 Butt Plate Plug (only for High Rubber Butt Plate) |
| 55 Magazine Box Frame                        | 78 Butt Plate Washer (only for High                  |
| 56 Single Trigger (Accessories)              |  |
| 57 Pin                                       |  |
| 58 Box Bottom Pawl                           |  |
| 59 Box Bottom Pawl Spring                    |  |
| 60 Box Bottom Pawl Pin                       |  |



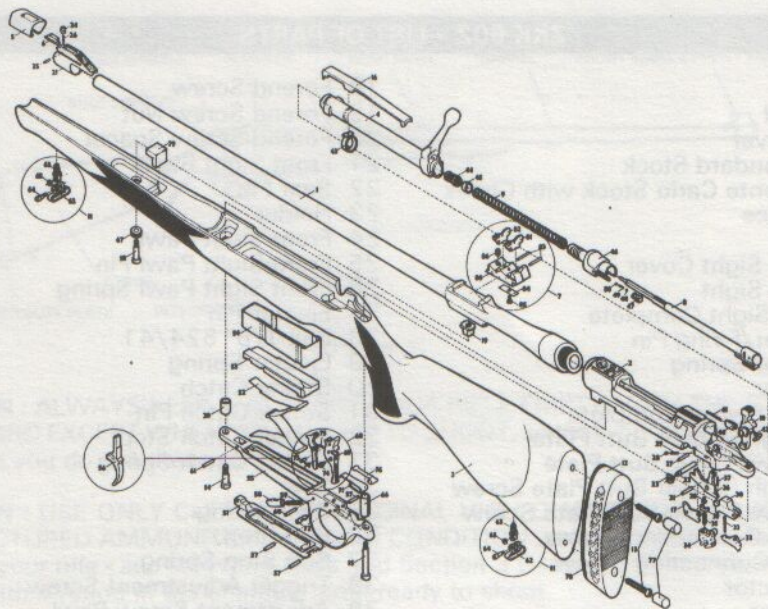
### ZKK 601 - LIST OF PARTS

- |    |                                       |    |                          |
|----|---------------------------------------|----|--------------------------|
|    | Rubber Butt Plate)                    | 17 | Ejector                  |
| 1  | Barrel                                | 18 | Front Screw Spacer       |
| 2  | Receiver                              | 19 | Front Sight Band         |
| 3  | a) Standard Stock                     | 20 | Sear Pin                 |
|    | b) Monte Carlo Stock with Cheek Piece | 21 | Holder                   |
| 4  | Bolt                                  | 22 | Front Sight Pawl         |
| 5  | Front Sight Protector                 | 23 | Front Sight Pawl Pin     |
| 6  | Front Sight                           | 24 | Front Sight Pawl Spring  |
| 7  | Rear Sight                            | 25 | Ejector Pin              |
| 8  | Striker                               | 26 | Ball 1/8" 524/41         |
| 9  | Striker Spring                        | 27 | Ejector Spring           |
| 10 | Safety                                | 28 | Striker Catch            |
| 11 | Sling Swivel                          | 29 | Striker Catch Pin        |
| 12 | a) High Rubber Butt Plate             | 39 | Striker Catch Stop       |
|    | b) Low Plastic Butt Plate             | 31 | Striker Catch Spring     |
| 13 | a) High Rubber Butt Plate Screw       | 32 | Sear                     |
|    | b) Low Plastic Butt Plate Screw       | 33 | Sear Spring              |
| 14 | Front Connecting Screw                | 34 | Bolt Stop                |
| 15 | Rear Connecting Screw                 | 35 | Bolt Stop Spring         |
| 16 | Extractor                             | 36 | Trigger Adjustment Screw |
|    |                                       | 37 | Adjustment Screw Pawl    |

- |                                  |  |
|----------------------------------|--|
| 38 Safety Catch                  | 60 Sling Swivel  |
| 39 Safety Catch Spring           | 61 Sling Swivel Holder                                 |
| 40 Safety Buffer 524/56          | 62 Sling Swivel Screw                                  |
| 41 Extractor Collar              | 63 Sling Swivel Washer                                 |
| 42 Striker Spring Nut            | 64 Rear Screw Spacer                                   |
| 43 Striker Spring Support        | 65 Set - Trigger Complete                              |
| 44 Bolt Head/Shroud              | 66 Set - Trigger                                       |
| 45 Bolt Disassembly Catch        | 67 Set - Trigger Auxiliary Blade                       |
| 46 Steel Ball Ø 2,5 mm (524/085) | 68 Set - Trigger Spring                                |
| 47 Bolt Disassembly Catch Spring | 69 Set - Trigger Auxiliary Blade Catch                 |
| 48 Steel Ball Ø 2,5 mm (524/085) | 70 Set - Trigger Auxiliary Blade Pin                   |
| 49 Box Bottom                    | 71 Set - Trigger Adjusting Screw                       |
| 50 Follower Spring               | 72 Auxiliary Blade Spring                              |
| 51 Follower                      | 73 Recoil Spring                                       |
| 52 Magazine Box Body             | 74 Butt Plate Plug (Only for High Rubber Butt Plate)   |
| 53 Magazine Box Frame            | 75 Butt Plate Washer (Only for High Rubber Butt Plate) |
| 54 Single Trigger (Accessories)  |  |
| 55 Pin                           |  |
| 56 Box Bottom Pawl               |  |
| 57 Box Bottom Pawl Spring        |  |
| 58 Box Bottom Pawl Pin           |  |
| 59 Box Bottom Pin                |  |

44

**SAFETY DEPENDS ON YOU**



**SAFETY DEPENDS ON YOU**

45

## ZKK 602 - LIST OF PARTS

- |    |                                       |    |                          |
|----|---------------------------------------|----|--------------------------|
| 1  | Barrel                                | 18 | Forend Screw             |
| 2  | Receiver                              | 19 | Forend Screw Nut         |
| 3  | a) Standard Stock                     | 20 | Forend Screw Spacer      |
|    | b) Monte Carlo Stock with Cheek Piece | 21 | Front Sight Band         |
| 4  | Bolt                                  | 22 | Sear Pin                 |
| 5  | Front Sight Cover                     | 23 | Holder                   |
| 6  | Front Sight                           | 24 | Front Sight Pawl         |
| 7  | Rear Sight Complete                   | 25 | Front Sight Pawl Pin     |
| 8  | Striker/Firing Pin                    | 26 | Front Sight Pawl Spring  |
| 9  | Striker Spring                        | 27 | Ejector Pin              |
| 10 | Safety                                | 28 | Ball 1/8" 524/41         |
| 11 | Sling Swivel Complete                 | 29 | Ejector Spring           |
| 12 | a) High Rubber Butt Plate             | 30 | Striker Catch            |
|    | b) Low Plastic Butt Plate             | 31 | Striker Catch Pin        |
| 13 | a) High Rubber Butt Plate Screw       | 32 | Striker Catch Stop       |
|    | b) Low Plastic Butt Plate Screw       | 33 | Striker Catch Spring     |
| 14 | Front Connecting Screw                | 34 | Sear                     |
| 15 | Rear Connecting Screw                 | 35 | Sear Spring              |
| 16 | Extractor                             | 36 | Bolt Stop                |
| 17 | Ejector                               | 37 | Bolt Stop Spring         |
|    |                                       | 38 | Trigger Adjustment Screw |
|    |                                       | 39 | Adjustment Screw Pawl    |

46 SAFETY DEPENDS ON YOU

- |    |   |    |   |
|----|---|----|---|
| 40 | Safety Catch                              | 65 | Sling Swivel Washer                                 |
| 41 | Safety Catch Spring                       | 66 | Rear screw Spacer                                   |
| 42 | Safety Buffer 524/56                      | 67 | Forend Screw Washer                                 |
| 43 | Extractor Collar                          | 68 | Set - Trigger Complete                              |
| 44 | Striker Spring Nut                        | 69 | Set - Trigger                                       |
| 45 | Striker Spring Support                    | 70 | Set - Trigger Auxiliary Blade                       |
| 46 | Bolt Head/Shroud                          | 71 | Set - Trigger Spring                                |
| 47 | Bolt Disassembly Catch                    | 72 | Set - Trigger Auxiliary Blade                       |
| 48 | Steel Ball $\varnothing$ 2,5 mm (524/085) | 73 | Set - Trigger Auxiliary Blade Pin                   |
| 49 | Bolt Disassembly Catch Spring             | 74 | Set - Trigger Adjusting Screw                       |
| 50 | Steel Ball $\varnothing$ 2,5 mm (524/085) | 75 | Auxiliary Blade Spring                              |
| 51 | Box Bottom                                | 76 | Recoil Spring                                       |
| 52 | Follower Spring                           | 77 | Butt Plate Plug (only for High Rubber Butt Plate)   |
| 53 | Follower                                  | 78 | Butt Plate Washer (Only for High Rubber Butt Plate) |
| 54 | Magazine Box Body                         | 79 | Stock Screw Clamp                                   |
| 55 | Magazine Box Frame                        | 80 | Rear Sight Base                                     |
| 56 | Single Trigger (Accessories)              | 81 | Rear Sight Leaf for 200 m                           |
| 57 | Pin                                       | 82 | Rear Sight Leaf for 300 m                           |
| 58 | Box Bottom Pawl                           | 83 | Rear Sight Pin                                      |
| 59 | Box Bottom Pawl Spring                    | 84 | Rear Sight Spring                                   |
| 60 | Box Bottom Pawl Pin                       | 85 | Rear Sight Spring Bolt                              |
| 61 | Box Bottom Pin                            | 86 | Rear Sight Safety Screw                             |
| 62 | Sling Swivel                              |    |   |
| 63 | Sling Swivel Holder                       |    |   |
| 64 | Sling Swivel Screw                        |    |   |

SAFETY DEPENDS ON YOU



## FIREARM RECORD

ZKK Model \_\_\_\_\_

Serial No. \_\_\_\_\_

Caliber \_\_\_\_\_

Purchased  
from \_\_\_\_\_

Date  
Purchased \_\_\_\_\_

Purchase  
Price \_\_\_\_\_

48

SAFETY DEPENDS ON YOU

# ČESKÁ ZBROJOVKA UHERSKÝ BROD

## WARNING

BEFORE USING THIS FIREARM, READ AND FOLLOW THESE INSTRUCTIONS. If here is anything you herein do not understand, seek help from someone qualified in the safe handling of firearms.

Manufacturer: Česká zbrojovka Uherský Brod  
688 27 Uherský Brod  
Czechoslovakia  
Tel.: +42 (0) 633 65  
Fax: +42 (0) 633 3665

Importer: Action Arms Ltd.  
P. O. Box 9573  
Philadelphia, PA 19124  
Tel: (215) 744 - 0100  
Fax: (215) 533 - 2188

This instruction manual applies only to ČZ rifle. It should always accompany this rifle. When you lend, give or sell this firearm, be sure this manual accompanies it.