

Weatherby®



**VANGUARD
OWNER'S
MANUAL**

INTRODUCTION

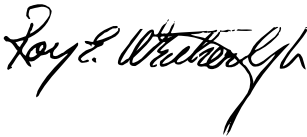
Thank you for buying a Weatherby® firearm and welcome to the family. We realize that you had many products to choose from and hope you feel as we do, that you purchased the finest quality production firearm on the market today.

When my late father started this company in 1945, it was as a means to turn his revolutionary vision of rifle design and cartridge performance into practical realities. At the time, I'm sure he had little idea that the Weatherby name would come to be one of the most respected and revered in the firearms industry. That is a level of respect we appreciate and you have our assurance that it will not be taken for granted.

This Owner's Manual is designed to assist you in learning how to use and care for your Vanguard rifle. Please read it very carefully and follow all instructions and safety warnings.

In closing, let me assure you that we are committed to the hunter, shooter and sportsman; and delivering the uncompromising craftsmanship, performance and value that you require in all that we do.

Good shooting!

A handwritten signature in black ink, reading "Roy E. Weatherby". The signature is written in a cursive, flowing style with a prominent initial "R".

**- SAFETY -
FIRST AND FOREMOST**

FIREARMS ARE DANGEROUS WEAPONS, WHICH CAN CAUSE SERIOUS INJURY OR DEATH. WHEN USING ANY FIREARM, SAFETY MUST BE YOUR FIRST AND CONSTANT CONCERN.

READ AND UNDERSTAND THE FOLLOWING SAFETY RULES

KNOW YOUR FIREARM. Before assembling or using your Vanguard® rifle, read and understand the instructions and safety warnings contained in this Owner's Instruction Manual in order to learn how to use the firearm safely and correctly.

ALWAYS TREAT YOUR FIREARM AS IF IT WERE LOADED. Use the safety lever as outlined in this manual. Never turn the safety lever to "OFF" until you are ready to fire.

KEEP THE MUZZLE POINTED IN A SAFE DIRECTION. The safe direction may be "up" on some occasions, and "down" on others. Never point toward anyone or anything not intended as a target.

USE ONLY THE CORRECT AMMUNITION FOR YOUR FIREARM. The correct ammunition for your Vanguard® rifle is inscribed on the left side of the barrel.

ALWAYS UNLOAD YOUR FIREARM WHEN NOT SHOOTING. Never transport or store a loaded firearm in a vehicle or building. Unload your firearm before climbing a fence, obstruction or slippery area.

MAINTAIN YOUR FIREARM. Keep the barrel clean and free of obstructions. Clean and have the firearm inspected periodically to make sure it is mechanically correct and functioning properly. Worn or damaged parts can be dangerous.

DO NOT MAKE ADJUSTMENTS. Never make changes or alterations to your firearm. Use only Weatherby® parts. Do not make any adjustments to the trigger, or change the shape or size of the sear or other parts. Repair should be performed by a Weatherby Authorized Service Center.

MAKE YOURSELF SAFE. Always wear shooting glasses. When target shooting or plinking, use ear protection also. If your rifle is equipped with a muzzle brake, wear ear protection at all times. Never drink alcoholic beverages before or during shooting.

REMEMBER - FIREARMS SAFETY DEPENDS ON YOU!!

INDEX

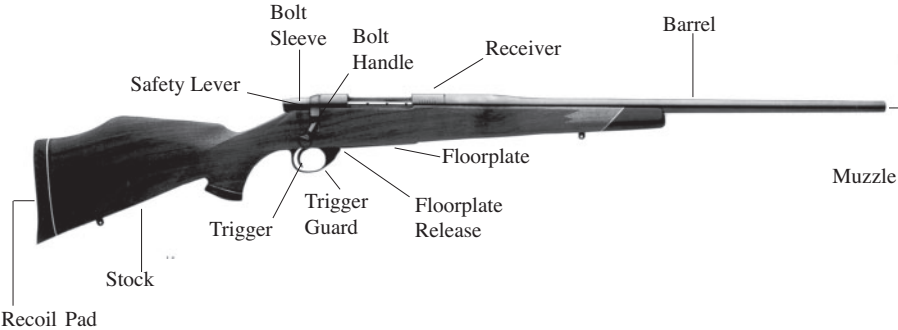
• Introduction	1
• Safety - First and Foremost	2
• Contents	3
• General Overview	4
• Manual Safety Operation	5
• Ammunition	6
• Trigger Assembly	7
• Operating Instructions	
• Inserting Bolt Assembly Into Receiver	8
• Removing Bolt Assembly From Rifle	9
• Checking for and Clearing Barrel (Bore) Obstructions	9
• Loading the Rifle	9
• Firing the Rifle	10
• Unloading the Rifle	11
• Disassembly and Reassembly	
• Disassembly of Vanguard® Rifle	12
• Reassembly of Vanguard® Rifle	13
• Cleaning Your Vanguard® Rifle	
• Cleaning the Barrel	14
• Cleaning the Receiver and the Trigger Assembly	15
• Cleaning the Bolt Assembly	15
• Cleaning the Magazine Box	15
• Cleaning the Trigger Guard Assembly	15
• Cleaning the Stock	16
• Rust Prevention and Repair	16
• Storing Your Rifle	16
• Suggestions for Getting Top Performance from Your Weatherby® Firearm	16
• Exploded View Diagram	17
• Parts Listing	18
• Weatherby Service Policy	19
• Ten Commandments of Shooting Safety	20

VANGUARD RIFLES

With proper care as outlined in this manual, your Vanguard® rifle will give you many years of dependable use and shooting pleasure.

For best results we recommend the use of factory ammunition.

The picture below shows the main parts of the Vanguard® rifle. Please refer to it when reading this manual. It will aid in understanding the terminology.



LEAD WARNING!
DISCHARGING FIREARMS IN POORLY VENTILATED AREAS, CLEANING FIREARMS, OR HANDLING AMMUNITION MAY RESULT IN EXPOSURE TO LEAD OR OTHER SUBSTANCES KNOWN TO CAUSE BIRTH DEFECTS, REPRODUCTIVE HARM AND OTHER SERIOUS PHYSICAL INJURY. HAVE ADEQUATE VENTILATION AT ALL TIMES. WASH HANDS THOROUGHLY AFTER EXPOSURE.

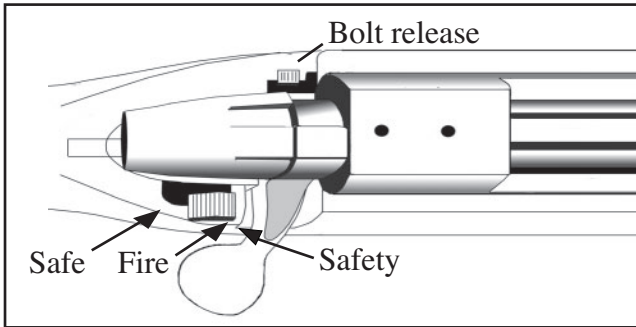
WEATHERBY® and VANGUARD® are registered trademarks of Weatherby Inc.
WB. MAG.™ is a trademark of Weatherby Inc.
REMINGTON® is a registered trademark of Remington Arms Co. Inc.

MANUAL SAFETY OPERATION

The manual safety lever on your Vanguard® rifle is located on the right side of the action immediately behind the bolt handle. When in proper condition and correctly engaged in the “Safe” position, the manual safety blocks the trigger and prevents accidental discharge under normal usage.

The safety lever can be moved from the “Off Safe” or “Fire” (vertical or forward) position only when the firing mechanism is cocked. Fully raising the bolt handle cocks the firing mechanism.

To engage the safety, with the firing mechanism cocked rotate the safety lever rearward until it stops and stays in place in the “Safe” position. When the safety lever is in the “Safe” position, it also locks the bolt handle in the closed (fully down) position.



WARNING!! When manipulating the safety lever, keep all fingers outside the trigger guard. The rifle will fire if the trigger is pulled when the safety is in the “Off Safe” or “Fire” position.

The safety lever should always be in the “Safe” position except when actually being fired, loaded or unloaded.

Never depend on any mechanical safety mechanism or device to prevent the dangers of careless handling or pointing a firearm in an unsafe direction.

AMMUNITION

Vanguard® rifles are chambered for many of the most popular cartridges for which factory-loaded ammunition manufactured in accordance with U.S. industry standards is commercially available. The correct caliber for each rifle is marked on the barrel. Always be certain the caliber indicated on the cartridge headstamp **exactly matches** the caliber marked on the barrel of your rifle. For example, 7mm Rem Mag (Remington® magnum) ammunition and 7mm WBY MAG™ (Weatherby® magnum) ammunition are not interchangeable.

WARNING!! Use of incorrect or overloaded ammunition can result in death or serious injury and damage to your rifle due to excessive pressure. Even the strongest rifle can be “blown up” by excessive pressure. **Use only factory-loaded ammunition of the correct caliber for your rifle as marked on the barrel.**

AMMUNITION NOTICE
WEATHERBY, INC. SPECIFICALLY DISCLAIMS RESPONSIBILITY FOR ANY INJURY OR DAMAGE WHATSOEVER OCCURRING IN CONNECTION WITH, OR AS A RESULT OF, THE USE OF FAULTY, OR NON-STANDARD, OR “REMANUFACTURED” OR HAND-LOADED (RELOADED) AMMUNITION, OR OF CARTRIDGES OTHER THAN THOSE FOR WHICH THE FIREARM WAS ORIGINALLY CHAMBERED.

TRIGGER ASSEMBLY

The Vanguard[®] trigger assembly has two adjusting screws. The adjusting screw on the front of the trigger assembly adjusts for weight of trigger pull, and is for your use. The adjusting screw on the rear of the trigger assembly adjusts sear engagement (“creep”), and *is for use by Weatherby factory and Authorized Service Center personnel only.*

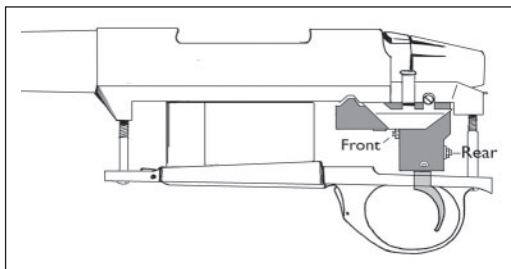
WARNING!! Do not attempt to adjust sear engagement, make any adjustments other than as described below, or modify the trigger assembly in any way. Improper adjustment or modification of any firearm trigger assembly can result in the firearm discharging prematurely due to a “hair trigger”, minor bumps or movement, possibly resulting in serious injury or death.

The trigger assembly has been set at the factory for weight of trigger pull appropriate for most shooters. If you require a heavier or lighter weight of trigger pull, adjust as follows:

1. Unload the rifle (*refer to Unloading the Rifle, page 11*), remembering to **VISUALLY CHECK THE CHAMBER AND THE MAGAZINE TO BE CERTAIN THERE ARE NO CARTRIDGES IN THE RIFLE.**
2. Remove the trigger guard assembly and stock (*refer to Disassembly of Vanguard[®] Rifle, page 12*).
3. Loosen the lock nut on the front adjusting screw.
4. To increase weight of trigger pull, with a screw driver of proper size turn the front adjusting screw clockwise (when viewed from the front) until desired weight of trigger pull is established.

To decrease weight of trigger pull, with a screw driver of proper size turn the front adjusting screw counter clockwise (when viewed from the front) until desired weight of trigger pull is established.

DO NOT remove the screw.



NOTE: For safety reasons, weight of trigger pull can not be adjusted below approximately 3 1/4 pounds.

5. Tighten the lock nut on the front adjusting screw securely.
6. Replace stock and trigger guard assembly (*refer to Reassembly of Vanguard[®] Rifle, steps 3 thru 9, page 13*).

OPERATING INSTRUCTIONS

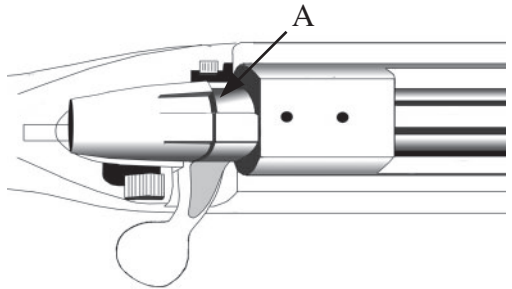
INSERTING BOLT ASSEMBLY INTO RECEIVER

The bolt of your new Vanguard® rifle was packaged separately in the shipping carton in which it was received by your dealer, and may have been removed from the rifle at other times, such as for cleaning or to check the barrel (bore) for obstructions.

To assemble the bolt into the receiver:

Keep the muzzle of the rifle pointed in a safe direction, and your fingers out of the trigger guard and away from the trigger at all times.

1. **ALWAYS check first to make certain there is no ammunition in the chamber or magazine.**
2. Move the safety lever forward to the “Off Safe” or position (*refer to Manual Safety Operation, Page 5*).
3. Fit the forward end of the bolt into the back end of the receiver, depress the bolt release lever (A) far as possible, slide the bolt forward about three inches and release the bolt release lever.
4. The bolt now may be pushed forward to the fully closed position, and locked by exerting pressure downward on the bolt handle.



WARNING!! If ammunition is present in the chamber or the magazine, the rifle will be loaded, cocked and ready to fire by pulling (squeezing) the trigger with the bolt fully locked.

REMOVING BOLT ASSEMBLY FROM RIFLE

To remove the bolt assembly from the rifle to check the barrel (bore) for obstructions, for cleaning, or for other purposes:

Keep the muzzle of the rifle pointed in a safe direction and your fingers out of the trigger guard and away from the trigger at all times.

1. Move the safety lever to the “Off Safe” position (*refer to Manual Safety Operation, Page 5*) and remove all ammunition from chamber and magazine (*refer to Unloading the Rifle, Page 11*).
2. Raise the bolt handle and pull the bolt fully to the rear.
3. Apply pressure to the bolt release lever and withdraw the bolt from the receiver.

CHECKING FOR AND CLEARING BARREL (BORE) OBSTRUCTIONS

The barrel (bore) of your Vanguard® rifle should always be checked for obstructions as follows before loading, and **immediately** following any occurrence in the field which might result in mud, dirt or other debris entering the bore:

1. Point the firearm in a safe direction and remove all ammunition from the chamber and magazine. (*refer to Unloading the Rifle, Page 11*)
2. Remove the bolt (*refer to Removing Bolt Assembly from Rifle, Page 9*)
3. Look through the barrel (bore) from the chamber end through the muzzle.

If there is an obstruction, select the proper size cleaning rod and push it from the chamber end all the way through the barrel until the end of rod exits from the muzzle. If the obstruction can not be easily cleared from the barrel (bore), contact a Weatherby Authorized Service Center or your local gunsmith.

WARNING!! Never attempt to remove an obstruction from the barrel (bore) by loading another cartridge in the chamber and firing! This will cause excessive pressures which may result in death or serious injury and damage to your rifle.

LOADING THE RIFLE

Keep the muzzle of the rifle pointed in a safe direction and your fingers out of the trigger guard and away from the trigger at all times while loading the rifle.

1. Move the safety lever to the “Off” (forward) position. (*refer to Manual Safety Operation, Page 5*)
2. Raise the bolt handle and draw the bolt fully to the rear.

To load the magazine: With the bolt fully to the rear, insert cartridges of the correct caliber (*refer to Ammunition, Page 6*) into the magazine, by pushing down one cartridge at a time with the bullet pointing toward the chamber.

NOTE: The bolt may now be closed (*without loading a cartridge into the chamber*), by pressing down on the top cartridge in the magazine and sliding the bolt forward over the top cartridge, and rotating the bolt handle downward to lock the bolt.

To load the chamber from the magazine: After loading the magazine, push the bolt handle forward and lock the bolt by rotating the bolt handle downward. The bolt face will strip a cartridge from the magazine and push it forward into the chamber.

CAUTION: *The rifle is now loaded and ready to fire. Do not touch the trigger until YOU are ready to fire.*

Immediately move the safety lever fully rearward to the “Safe” position.

To single-load the chamber: Insert a cartridge of the correct caliber (*refer to Ammunition, Page 6*) directly into the chamber, push the bolt handle forward and lock the bolt by rotating the bolt handle downward. (If the magazine has already been loaded, it will be necessary to push the cartridge(s) in the magazine down and slide the bolt forward over the top cartridge in the magazine.)

CAUTION: *The rifle is now loaded and ready to fire. Do not touch the trigger until YOU are ready to fire.*

Immediately move the safety lever fully rearward to the “Safe” position.

FIRING THE RIFLE

Pulling the trigger fires the rifle when the chamber is loaded.

1. With a cartridge in the chamber (*refer to Loading the Rifle, page 9*), and keeping the muzzle of the rifle pointed in a safe direction and your fingers out of the trigger guard and away from the trigger, move the safety lever forward to the “Fire” position.
2. Hold the recoil pad firmly to your shoulder and carefully aim the rifle at your intended target.
3. Squeeze (pull) the trigger with steadily increasing pressure until the rifle fires.

WARNING!! Do not touch the trigger until you are actually ready to fire the rifle.

NOTICE: Never use a fixed or immovable rest or place sand bags directly behind the pistol grip when shooting your Vanguard® rifle. On firing, recoil drives the rifle back with great force, transferring recoil energy to all points of contact, which may result in unrepairable damage to the pistol grip or stock. **Weatherby, Inc. will not be responsible for such damage.**

UNLOADING THE RIFLE

ALWAYS UNLOAD YOUR RIFLE IMMEDIATELY AFTER YOU FINISH SHOOTING.

Keep the muzzle of the rifle pointed in a safe direction and your fingers out of the trigger guard and away from the trigger at all times while unloading the rifle.

1. Move the safety lever to the forward position (*refer to Manual Safety Operation, page 5*) to unlock the bolt.
2. Raise the bolt handle and pull the bolt to the rear to extract and eject any chambered cartridge.
3. Place one hand under the floorplate to catch cartridges to be removed from magazine.
4. With your free hand, press the floorplate release to open the floorplate.
5. Reposition the magazine follower inside the magazine and close the floorplate.
6. Visually double check the chamber and the magazine to make sure there are no cartridges remaining in the rifle.

WARNING!! If the bolt is pushed all the way forward and a cartridge is in the magazine, that cartridge will be chambered and the rifle can be fired. **ALWAYS DOUBLE CHECK THE MAGAZINE AND THE CHAMBER.**

7. *With the muzzle of the rifle pointed in a safe direction,* pull the trigger to release tension on the firing pin spring.



DISASSEMBLY AND REASSEMBLY

DISASSEMBLY OF VANGUARD® RIFLE

Before attempting to disassemble your Vanguard® rifle, study the exploded view diagram on page of this Owner's Instruction Manual to familiarize yourself with the general appearance and position of each part.

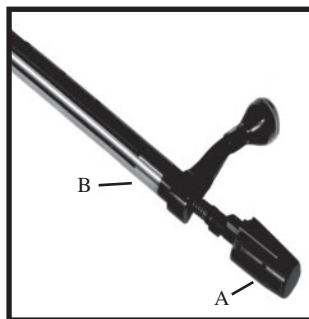
1. Unload the rifle. (*refer to Unloading the Rifle, page 11*)
2. Move the safety lever to the "Off Safe" position (*refer to Manual Safety Operation, page 5*), raise the bolt handle, draw the bolt all the way to the rear, and VISUALLY

CHECK THE CHAMBER AND THE MAGAZINE TO BE CERTAIN THERE ARE NO CARTRIDGES IN THE RIFLE.

3. Remove the trigger guard assembly and stock.
 - a. Press the floorplate release to open the floorplate.
 - b. With a screwdriver of the proper size, remove the front and rear trigger guard screws.
 - c. Remove the trigger guard assembly from the stock.
 - d. Remove the stock.
4. Remove the bolt assembly (*refer to Removing Bolt Assembly from Rifle, page 9*).

5. To field strip the bolt:

- a. Referring to photo at right, hold the bolt body (**B**) stationary while rotating the bolt sleeve (**A**) in a clockwise direction (as viewed from the rear) approximately 170° until firing pin bolt sleeve assembly separates from the bolt body (**B**).
- b. Withdraw the firing pin bolt sleeve assembly from the bolt body.

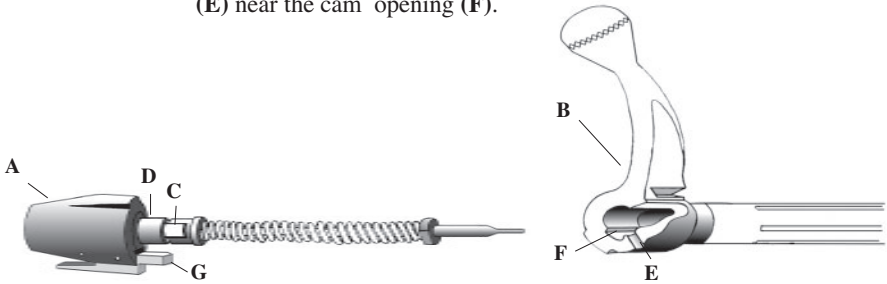


NOTE: Further disassembly is not recommended. If further disassembly is required, contact a Weatherby Authorized Service Center or your local gunsmith.

REASSEMBLY OF VANGUARD® RIFLE

These instructions assume the rifle has been disassembled as described in Disassembly of Vanguard® Rifle, above.

1. Reassemble the bolt as follows:
 - a. Referring to the diagram below, insert the firing pin bolt sleeve assembly (A) into the bolt body (B), aligning the square boss (C) on the bolt sleeve shank (D) with the indexing groove (E) on the bolt body (B).
 - b. Push the bolt sleeve (A), all the way forward against the bolt body.
 - c. Rotate the bolt sleeve counter-clockwise (as viewed from the rear), until the nose of the cocking piece (G) falls into the detent (E) near the cam opening (F).



2. Insert bolt assembly into the receiver (*refer to Inserting Bolt Assembly Into Receiver, Page 8*).
3. Replace the receiver barrel trigger assembly into the stock.
4. Insert the magazine box into its cavity on the underside of the stock and push it all the way into the receiver.
5. Holding the rifle in a vertical position, place the trigger guard assembly (with follower and follower spring) into its cavity and hold in place.
6. Turn rifle to horizontal position with trigger guard pointing up, and insert trigger guard screws.

NOTE: The shorter screw is the front trigger guard screw and the longer screw is the rear trigger guard screw.

7. With a screwdriver of the proper size, lightly tighten both trigger guard screws.
8. Grasp the barrel and pull it to the rear to seat it the barrel and receiver properly in the stock.
9. Tighten the front trigger guard screw firmly and then the rear trigger guard screw.

CLEANING YOUR VANGUARD® RIFLE

Any firearm requires regular cleaning and periodic maintenance. To assure safe and reliable function of your Vanguard® rifle, it is very important that you clean it immediately after each use, and periodically during extended storage periods, to remove powder residue, dirt, dust and excess lubricant, and to prevent rust. During cleaning, inspect components to determine whether they are in proper working order.

A basic cleaning kit consists of a proper size cleaning rod, bore brush(es) and patches; gun cleaning solvent; gun lubricant; and lint-free cloths. The cleaning rod must have a tip with a slot into which patches can be inserted. Additionally, tooth brushes, cotton swabs and pipe cleaners are very handy tools for cleaning away dirt in hard to reach places.

To properly clean your Vanguard® rifle, it must first be disassembled (*refer to Disassembly of Vanguard® Rifle, page 12*), the parts and components cleaned as discussed below, then reassembled (*refer to Reassembly of Vanguard® Rifle, page 13*).

CAUTION: Apply solvents and lubricants properly and sparingly. Do not spray or apply directly on ammunition. Solvents and lubricants may affect the propellant, causing it not to ignite, but the energy from the primer may be sufficient to propel the bullet into the bore of the rifle causing an obstruction, and resulting in damage to the rifle and serious injury to the shooter and bystanders upon firing a subsequent cartridge.

CLEANING THE BARREL

1. With a proper size bore cleaning brush attached to the cleaning rod, apply gun cleaning solvent to the brush.
2. Push the brush all the way through the barrel bore several times from the chamber end.
3. With a clean patch inserted in the tip attached to the cleaning rod, push the rod all the way through the barrel bore from the chamber end until the cloth emerges from the muzzle. Remove the dirty patch and withdraw the rod.
4. Repeat step 3 as many times as needed until the patch is clean as it emerges from the muzzle.
5. Insert a patch saturated with gun lubricant into the cleaning rod tip and push through the bore from the chamber end. Remove saturated patch and withdraw rod.
6. Insert a dry, clean patch into the cleaning rod tip and push through the bore from the chamber end, to remove excess lubricant. Remove patch and withdraw rod.
7. Apply a thin coat of gun lubricant to the exterior of the barrel using a soft, clean cloth.

**WARNING!! Excess lubrication in the bore or chamber of any firearm may create excessive chamber pressures or a partial bore obstruction, resulting in possible damage to the firearm and serious injury to the shooter and bystanders upon firing.
BE SURE ALL EXCESS LUBRICANT HAS BEEN REMOVED.**

CLEANING THE RECEIVER AND THE TRIGGER ASSEMBLY

1. Using a small lint-free cloth, clean the inside and outside of the receiver, and the outside of the trigger assembly, with gun-cleaning solvent; and dry thoroughly with a clean cloth.
2. Apply two or three drops of gun lubricant to both sides of the trigger assembly pivots.
3. Spray the inside of the trigger assembly and the receiver with gun lubricant.
4. Let stand for ten to fifteen minutes, then shake off all excess lubricant.
5. With a clean cloth, wipe the trigger and receiver leaving a light coat of gun lubricant on all parts.

NOTE: DO NOT LEAVE AN EXCESSIVE AMOUNT OF OIL ON ANY PARTS, ESPECIALLY THE INSIDE OF THE RECEIVER. CHECK THE CHAMBER TO MAKE SURE IT IS FREE OF OIL.

CLEANING THE BOLT ASSEMBLY

1. Using a lint-free cloth, clean the bolt body and all parts of the firing pin bolt sleeve assembly, and dry with a clean cloth.
2. Spray the firing pin bolt sleeve assembly with gun lubricant, and let stand for ten to fifteen minutes, then shake off all excess lubricant.
3. With a clean cloth, wipe the firing pin bolt sleeve assembly leaving only a light coat of gun lubricant on all parts.
4. Reassemble the bolt (refer to Reassembly of Vanguard[®] Rifle, page 13).
5. With a clean cloth, wipe the exterior of the bolt body, leaving a light coat of gun lubricant.

CLEANING THE MAGAZINE BOX

1. Using a lint-free cloth, clean the inside and outside of the magazine box with gun cleaning solvent, and a dry clean cloth.
2. With a clean cloth, apply a light coat of gun oil to the inside and outside of the magazine box.

CLEANING THE TRIGGER GUARD ASSEMBLY

1. Using a lint-free cloth, clean all trigger guard assembly parts (trigger guard, floorplate, magazine follower, follower spring and trigger guard screws) with gun cleaning solvent, and dry with a clean cloth.
2. With a clean cloth, apply a light coat of gun oil to all trigger guard assembly parts.

NOTE: Do not attempt to remove or alter the nylon inserts in the trigger guard screw threads. These insets minimize loosening under recoil in order to maintain a reliable point-of-impact.

CLEANING THE STOCK

Usually, wiping the stock with a dry clean cloth or a silicon cloth is all that is necessary. If you have been hunting or shooting with a wood stock in wet weather, let the stock dry before reassembly.

NOTE: Check sling swivel studs for tightness periodically as they can work loose with time and use.

RUST PREVENTION & REPAIR

During normal maintenance, after a thorough cleaning allow 2-3 hours at room temperature, for all metal parts to dry completely. Apply a liberal amount of high grade Gun Oil, wiping off any excess with a clean dry cloth. If rusting does occur it may only be surface rust due to excessive moisture. You may be able to clean it by using a plastic bristled gun cleaning brush and gun cleaning solvent. If you are unable to remove rust on your Vanguard® rifle, please contact a Weatherby Authorized Service Center or your local gunsmith. Immediate attention to this problem is imperative to prevent unrepairable rust damage.

DO NOT ALLOW RUST TO GO UNTREATED!

STORING YOUR RIFLE

Do not store your rifle in a leather case, scabbard or foam lined gun case. Leather and foam can attract moisture and cause rusting.

For your safety, and the safety of others, store your rifle and ammunition in two separately locked locations.

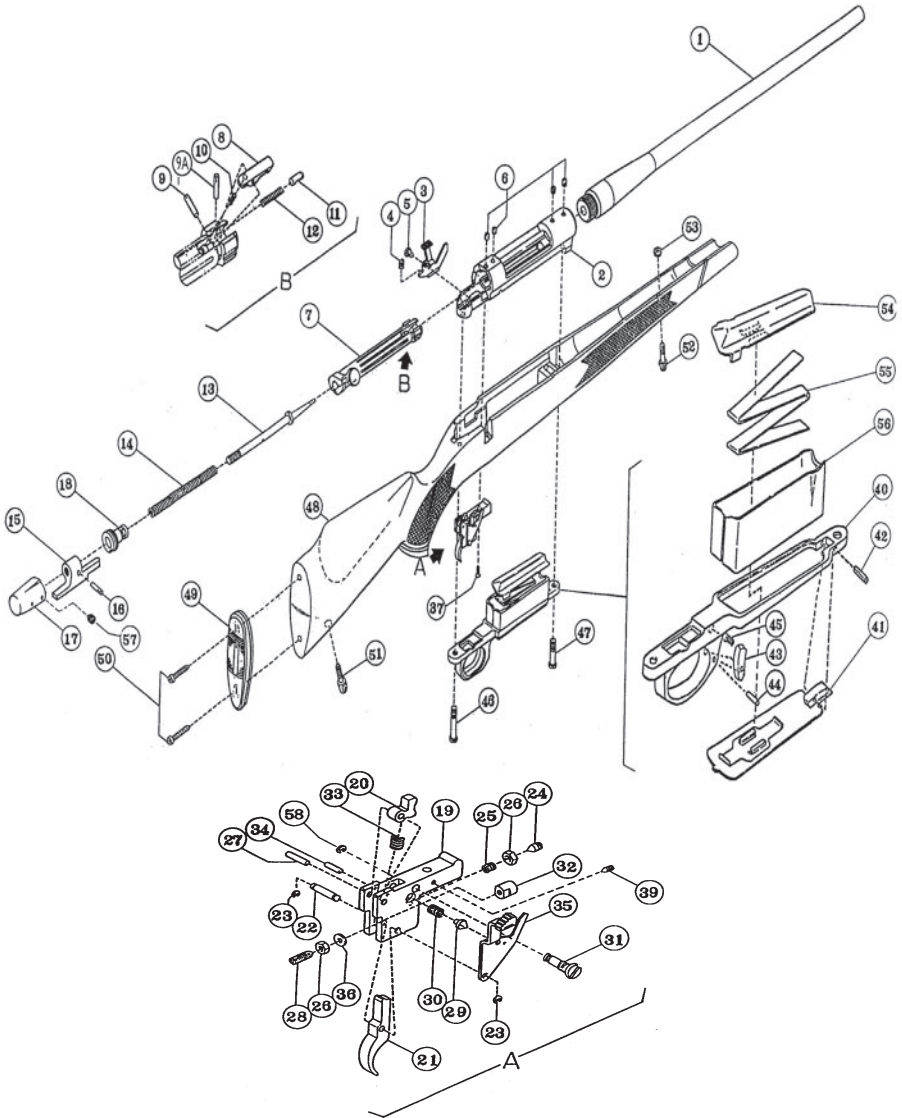
SUGGESTIONS FOR GETTING TOP PERFORMANCE FROM YOUR WEATHERBY FIREARM.

1. Make sure that all trigger guard screws are tight before firing your rifle. Always tighten the front guard screw first and the rear screw last. Loose trigger guard screws not only contribute to inaccuracy but can also cause stock damage. **Check these screws periodically** as recoil and changes in atmospheric conditions can cause them to work loose.
2. Be sure your scope is secure. Loose mount screws are a definite source of inaccuracy. If you experience accuracy problems it is our recommendation that you contact your local gunsmith or an Authorized Weatherby Service Center to check your scope.
3. The accuracy of any rifle can vary depending upon the brand of ammunition, and the type of bullet used in it. If your rifle does not exhibit the consistent accuracy you expect, you should try several brands and types of ammunition, after referring to points 1 and 2, above, before concluding that it is "inaccurate".
4. If there should ever occur a noticeable change in point of impact or opening of groups, and you have checked all the above sources of inaccuracy, it is possible that there has been a slight dimension change in the stock due to atmospheric variations. This can happen to any wood stock no matter how well sealed. The remedy is usually minor rebedding of the barrel.

DO NOT ALTER THE STOCK BEDDING IN ANY WAY. Once a stock has been altered, it can not be reworked by our Service Department or a Weatherby® Authorized Service Center.

5. Consult the factory before returning any products for inspection or repair.

EXPLODED-VIEW DIAGRAM



PARTS LISTING

- | | |
|------------------------------------|-----------------------------------|
| 1 Barrel 24" | 30 Safety spring |
| 2 Receiver (R/H) | 31 Safety lever screw |
| 3 Bolt stop | 32 Block, safety lever |
| 4 Bolt Stop Spring | 33 Sear spring |
| 5 Guide screw, Bolt stop | 34 Sear stopping pin |
| 6 Plug screw | 35 Safety lever |
| 7-18 Bolt assembly | 36 Washer |
| 7 Bolt | 37 Trigger housing screw |
| 8 Extractor | 39 Slotted set screw |
| 9 Extractor pin | 40-47 Trigger guard assembly |
| 9A Ejector pin | 40 Trigger guard |
| 10 Extractor spring | 41 Floor plate |
| 11 Ejector | 42 Floor plate pin |
| 12 Ejector spring | 43 Floor plate release |
| 13 Firing pin | 44 Floor plate release pin |
| 14 Firing pin spring | 45 Floor plate release spring |
| 15 Cocking piece | 46 Trigger guard screw (rear) |
| 16 Firing pin retaining pin | 47 Trigger guard screw (front) |
| 17 Bolt sleeve body | 48-53 Stock assembly |
| 18 Bolt sleeve shank | 48 Stock |
| 19-39,58 Trigger assembly | 49 Recoil pad |
| 19 Trigger housing | 50 Recoil pad screw (2) |
| 20 Sear | 51 Sling swivel stud, rear |
| 21 Trigger | 52 Sling swivel stud, front |
| 22 Trigger pin | 53 Nut, sling swivel stud |
| 23 Retaining C-clip | 54 Magazine follower |
| 24 Trigger adjusting screw (front) | 55 Follower spring |
| 25 Trigger spring | 56 Magazine box |
| 26 Lock nut | 57 Screw, bolt sleeve |
| 27 Sear pin | 58 Retaining C-clip, safety lever |
| 28 Trigger adjusting screw (rear) | |
| 29 Safety plunger | |

WEATHERBY[®] SERVICE POLICY

Congratulations! You are now the proud owner of a Weatherby firearm. Weatherby is a name that has been synonymous with quality firearms for over 50 years. All Weatherby firearms are manufactured of the finest materials and have been thoroughly inspected and tested in every phase of production.

Because of the confidence that we have in our products, Weatherby does not provide a written warranty, but rather stands behind its reputation for customer service and satisfaction.

Simply stated, we will consider requests for service or repair of Weatherby firearms on a case by case basis. A determination will be made taking into consideration such things as the age and condition of the firearm, and the circumstances surrounding its malfunction or other problem.

Weatherby will not be responsible for defects resulting from ordinary wear and tear, alterations by unauthorized persons, accidents, misuse, use of incorrect or other than factory loaded ammunition, or failure to provide reasonable and normal maintenance.

Should any Weatherby firearm require service or repair under this service policy, it must be delivered transportation prepaid to an authorized Weatherby service center (names and addresses of which can be supplied by Weatherby upon request). The product must be accompanied by a proof of purchase and a letter explaining the problem. It should also be insured by the owner at the time of shipment, as Weatherby, Inc. can accept no responsibility for damage or loss in transit. Weatherby will pay all charges to return the product to the owner if it is accepted for service or repair under the provisions of this service policy. Weatherby, Inc. also reserves the right to repair or replace any product at our sole discretion.

**WEATHERBY, INC. SHALL NOT BE LIABLE FOR ANY
CONSEQUENTIAL, INCIDENTAL OR CONTINGENT DAMAGES.**

Ten Commandments of Shooting Safety

Prevention is the solution to hunting casualties.

Every hunting accident that has occurred could have been prevented. Most hunting accidents happen as a result of people ignoring firearms safety rules. Prevention involves knowing and obeying those basic safety rules. Responsible, knowledgeable, and safe hunters will learn, remember, and follow these simple rules:

1. Control the direction of your firearms muzzle. Carry your firearm safely, keeping the safety on until ready to shoot. Keep your finger off the trigger until ready to shoot.
2. Identify your target and what is beyond it. Know the identifying features of the game you hunt.
3. Treat every firearm with the same respect due a loaded firearm.
4. Be sure the barrel and action are clear of obstructions and that you have only ammunition of proper size for the firearm you are carrying.
5. Unload Firearms when not in use. Leave the actions open. Firearms should be carried empty in cases to and from shooting areas.
6. Never point a firearm at anything you do not want to shoot. Avoid all horseplay with a firearm.
7. Never climb a fence or tree, or jump a ditch or log, with a loaded firearm. Never pull a firearm toward you by the muzzle.
8. Never shoot a bullet at a flat, hard surface or water. During target practice, be sure your backstop is adequate.
9. Store firearms and ammunition separately beyond the reach of children and careless adults.
10. Avoid alcoholic beverages or other mood-altering drugs before or while shooting.



WARNING

Children are attracted to and can operate firearms that can cause severe injuries or death.

Prevent child access by always keeping guns locked away and unloaded when not in use. If you keep a loaded firearm where a child obtains and improperly uses it, you may be fined or sent to prison.



ADVERTENCIA

A los niños los atraen las armas de fuego y las pueden hacer funcionar. Ellos pueden causarse lesiones graves y la muerte.

Evite que los niños tengan acceso a las armas de fuego guardándolas siempre con llave y descargadas cuando no las esté utilizando. Si usted tiene un arma de fuego cargada en un lugar en que un niño tiene acceso a ella y la usa indebidamente, le pueden dar una multa o enviario a la cárcel.

REVISED & PRINTED September 2008

Weatherby, Inc.

1605 Commerce Way • Paso Robles, CA 93446 • (805) 227-2600

www.weatherby.com