

Weatherby[®]

MARK V

OWNERS

MANUAL


INTRODUCTION

Thank you for buying a Weatherby firearm and welcome to the family. We realize that you had many products to choose from and hope you feel as we do, that you purchased the finest quality production firearm on the market today.

When my late father started this company in 1945, it was as a means to turn his revolutionary vision of rifle design and cartridge performance into practical realities. At the time, I'm sure he had little idea that the Weatherby name would come to be one of the most respected and revered in the firearms industry. That is a level of respect we appreciate and you have our assurance that it will not be taken for granted.

In closing, let me assure you that we are committed to the hunter, shooter and sportsman; and delivering the uncompromising craftsmanship, performance and value that you require in all that we do.

Good shooting!

A handwritten signature in black ink, reading "Ed Weatherby". The signature is written in a cursive, flowing style with a prominent loop at the end of the last name.

INDEX

- Introduction 1
- General Overview 3
- **Safety Rules/Warnings 5**
- Operating Directions 6
 - Parts Listing 9
- Unloading Procedures 10
- Trigger Assembly 11
- Bolt Assembly 12
 - Cleaning 13
- Reassembly 14

LEAD WARNING!
**DISCHARGING FIREARMS IN POORLY VENTILATED AREAS,
CLEANING FIREARMS, OR HANDLING AMMUNITION MAY RESULT
IN EXPOSURE TO LEAD OR OTHER SUBSTANCES KNOWN TO CAUSE
BIRTH DEFECTS, REPRODUCTIVE HARM AND OTHER SERIOUS
PHYSICAL INJURY. HAVE ADEQUATE VENTILATION AT ALL TIMES.
WASH HANDS THOROUGHLY AFTER EXPOSURE.**

Congratulations! You are now the proud owner of a Weatherby firearm. Weatherby is a name that has been synonymous with quality firearms for over 50 years. All Weatherby firearms are manufactured of the finest materials and have been thoroughly inspected and tested in every phase of production.

Because of the confidence that we have in our products, Weatherby does not provide a written warranty, but rather stands behind its reputation for customer service and satisfaction.

Simply stated, we will consider requests for service or repair of Weatherby firearms on a case by case basis. A determination will be made taking into consideration such things as the age and condition of the firearm, and the circumstances surrounding its malfunction or other problem.

Weatherby will not be responsible for defects resulting from ordinary wear and tear, alterations by unauthorized persons, accidents, misuse, use of incorrect or other than factory loaded ammunition, or failure to provide reasonable and normal maintenance.

Should any Weatherby firearm require service or repair under this service policy, it must be delivered transportation prepaid to an authorized Weatherby service center (names and addresses of which can be supplied by Weatherby upon request). The product must be accompanied by a proof of purchase and a letter explaining the problem. It should also be insured by the owner at the time of shipment, as Weatherby, Inc. can accept no responsibility for damage or loss in transit. Weatherby will pay all charges to return the product to the owner if it is accepted for service or repair under the provisions of this service policy. Weatherby, Inc. also reserves the right to repair or replace any product at our sole discretion.

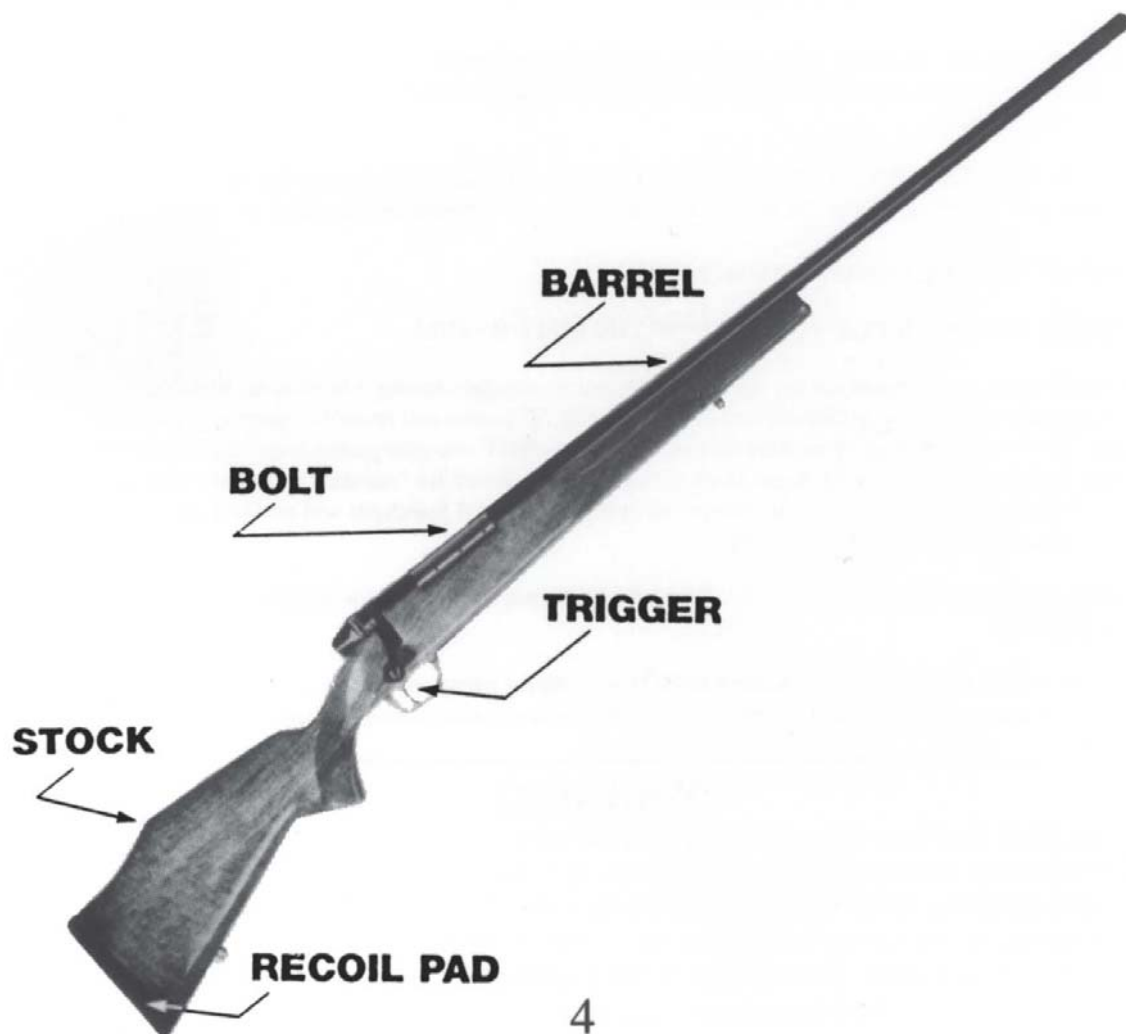
**WEATHERBY, INC. SHALL NOT BE LIABLE FOR ANY
CONSEQUENTIAL, INCIDENTAL OR CONTINGENT
DAMAGES.**

MARK V AND MARK V VARMINTMASTER

With proper care as outlined in this manual, your rifle will give you many years of dependable use and shooting pleasure.

For best results we recommend the use of *WEATHERBY* ammunition.

The picture below shows the main parts of the Mark V rifle. Please refer to it when reading this manual. It will aid in understanding the terminology.



READ THESE SAFETY RULES

KNOW YOUR FIREARM. Read this instruction manual which includes safety instruction in order to learn how to use the firearm safely and correctly.

TREAT YOUR FIREARM AS IF IT WERE LOADED. Use the safety lever as outlined in this manual. Never turn the safety lever to “OFF” until you are ready to fire.

DO NOT MAKE ADJUSTMENTS. Never make changes or alterations to your firearm. Use only Weatherby parts. Do not make any adjustments to the trigger, or change the shape or size of the sear or other parts. Repair should be performed by a Weatherby Authorized Service Center.

MAKE YOURSELF SAFE. Always wear shooting glasses. When target shooting or plinking, use ear protection also. If your rifle is equipped with a muzzle brake, wear ear protection at all times. Never drink alcoholic beverages before or during shooting.

MAINTAIN YOUR FIREARM. Keep the barrel clean and free of obstructions. Clean and have the firearm inspected periodically to make sure it is mechanically correct and functioning properly. Worn or damaged parts can be dangerous.

KEEP THE MUZZLE POINTED IN A SAFE DIRECTION. The safe direction may be “up” on some occasions, and “down” on others. Never point toward anyone or anything not intended as a target.

WARNING: USE ONLY THE CORRECT AMMUNITION.

USE ONLY THE CARTRIDGE INSCRIBED ON THE RIFLE BARREL.

Most Mark V rifles are chambered for Weatherby Magnum cartridges having a headstamp WBY MAG. The use of any cartridge bearing a different headstamp could be dangerous and result in injury to you or your firearm. Warning: 7mm Remington Magnum ammunition is **NOT** interchangeable with 7mm Weatherby Magnum ammunition in any way. Some Mark V rifles are chambered for “standard cartridges” such as the .22-260 REM and 30-06. Ammunition loaded to American National Standards will perform satisfactorily in Mark V rifles, chambered for these cartridges.

HANDLOADS CAN BE DANGEROUS. Weatherby Inc. is not responsible for accidents or damage caused by any handloads.

UNLOAD YOUR FIREARM WHEN NOT SHOOTING. Never transport or store a loaded firearm in a vehicle or building. Unload your firearm before climbing a fence, obstruction or slippery area.

WARNING!! Never place sand bags directly behind the pistol grip or use a fixed, or immovable type rest when shooting this rifle. Portions of the stock, including the pistol grip may directly contact the rest. On firing, recoil can drive the rifle back into the rest or sand bags with great force, transmitting recoil energy to all points of contact. Unrepairable damage to the pistol grip and/or stock any result. Such damage NOT COVERED UNDER WARRANTY.

OPERATING DIRECTIONS

TO ASSEMBLE BOLT INTO RECEIVER

The bolt of your new Mark V rifle is packed separately in the shipping carton. Fit the forward end of the bolt into the back end of the receiver, pull the trigger back as far as possible, slide the bolt forward about three inches and release trigger. As you slide the bolt forward into the closed position you must rotate the bolt right or left until the bolt stop engages the groove on the underside of the bolt. The bolt now may be pushed to the fully closed position.



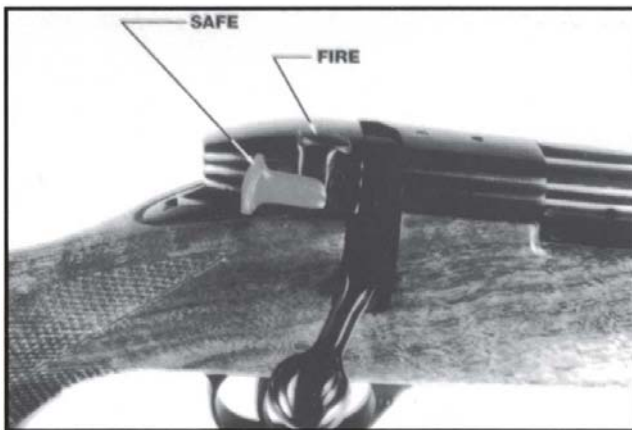
TO REMOVE THE BOLT ASSEMBLY

Point the firearm in a safe direction and remove ammunition from chamber and magazine.

Raise the bolt handle and pull the bolt toward the rear. Apply pressure to the trigger as if firing and withdraw the bolt from the receiver.

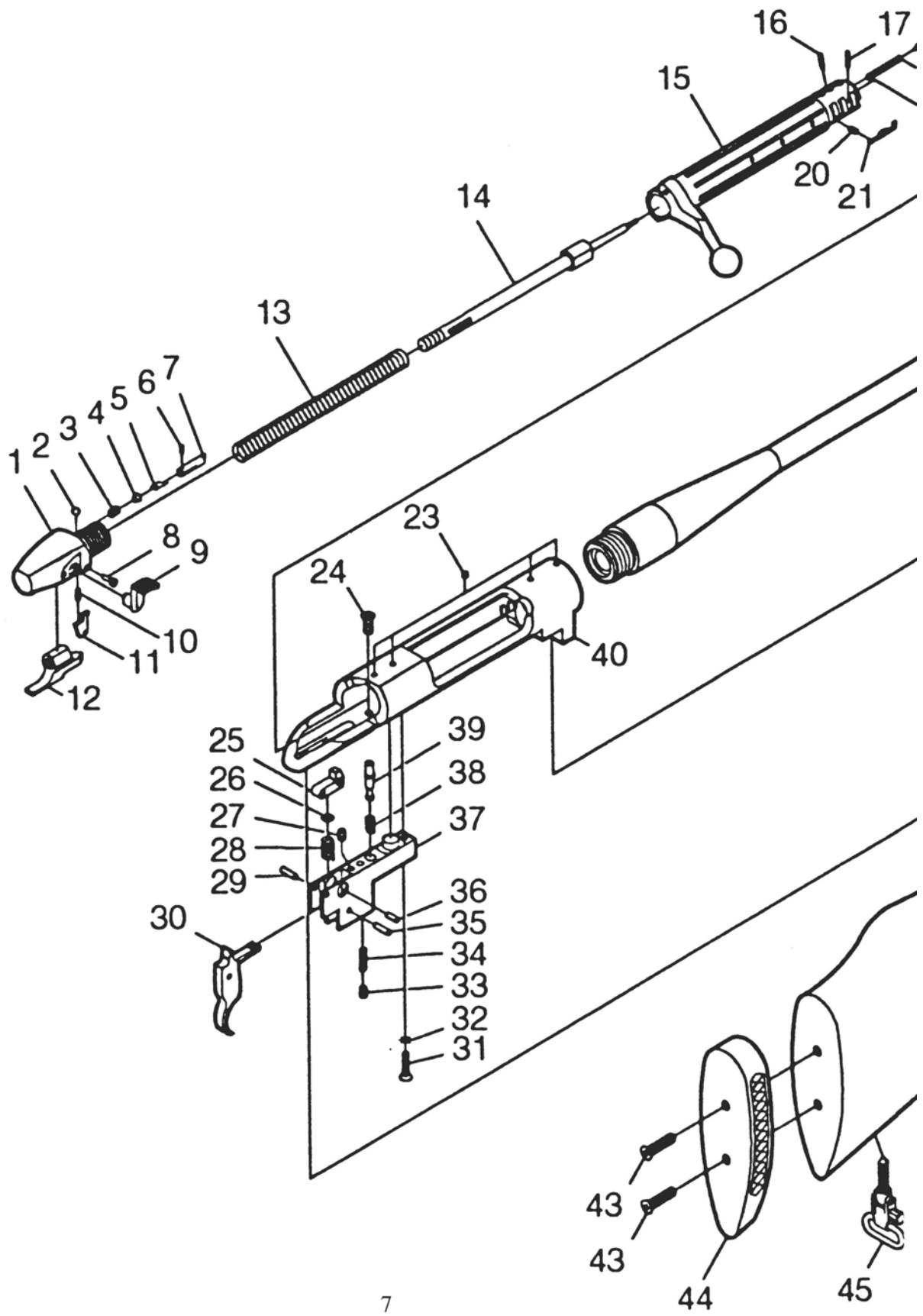
THE SAFETY LEVER

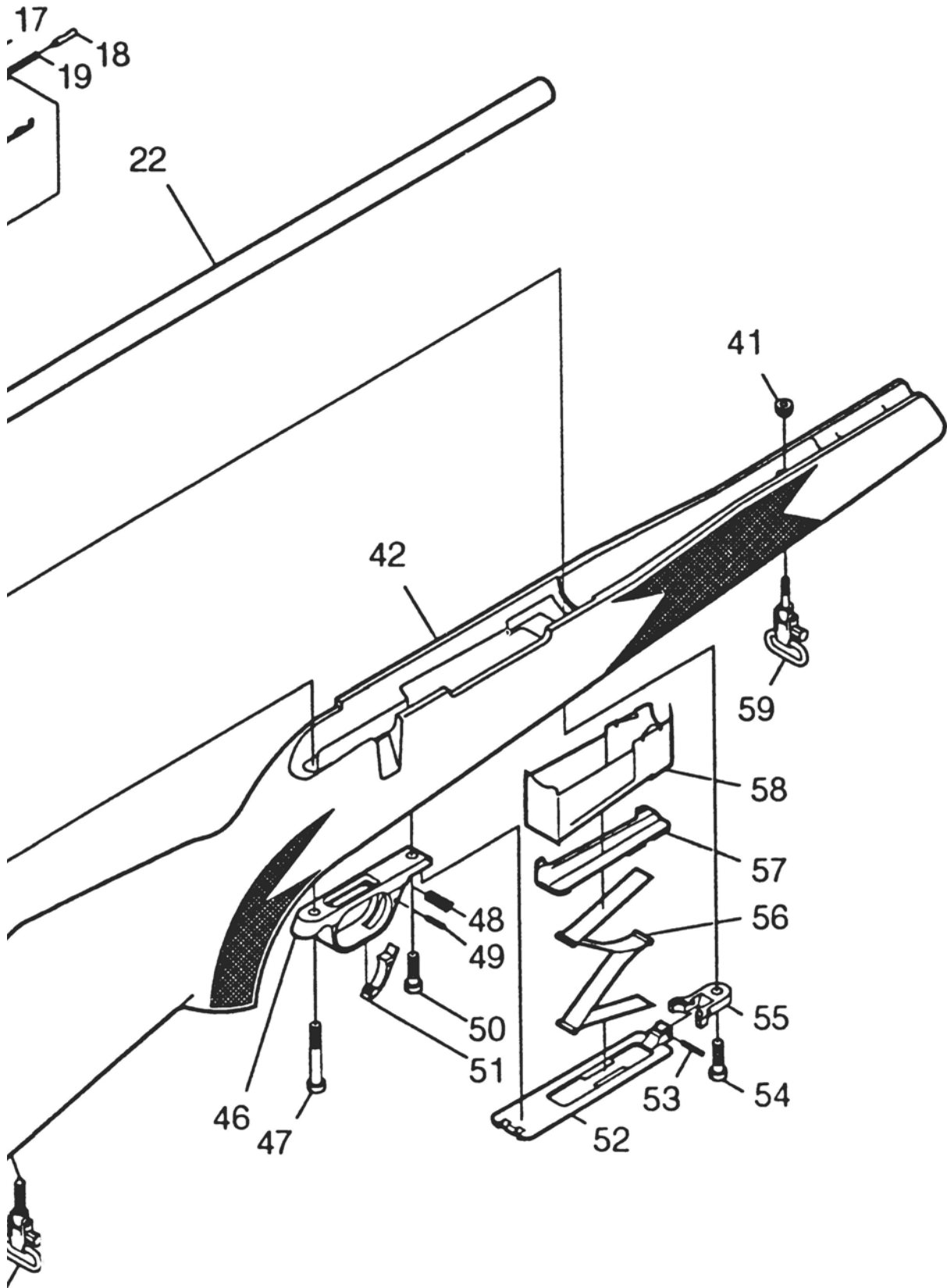
When properly engaged, the safety lever prevents accidental discharge under normal usage. The safety lever is located on the bolt sleeve. It will operate only when the firing mechanism is in the cocked position. To engage the safety lever, rotate it 90 degrees. The red dot will be covered. This movement disengages the sear from the trigger and also locks the bolt handle in the closed position.



CAUTION: *Even when the safety lever is engaged, carelessness can cause the firearm to fire.*

EXPLODED VIEW





PARTS LISTING

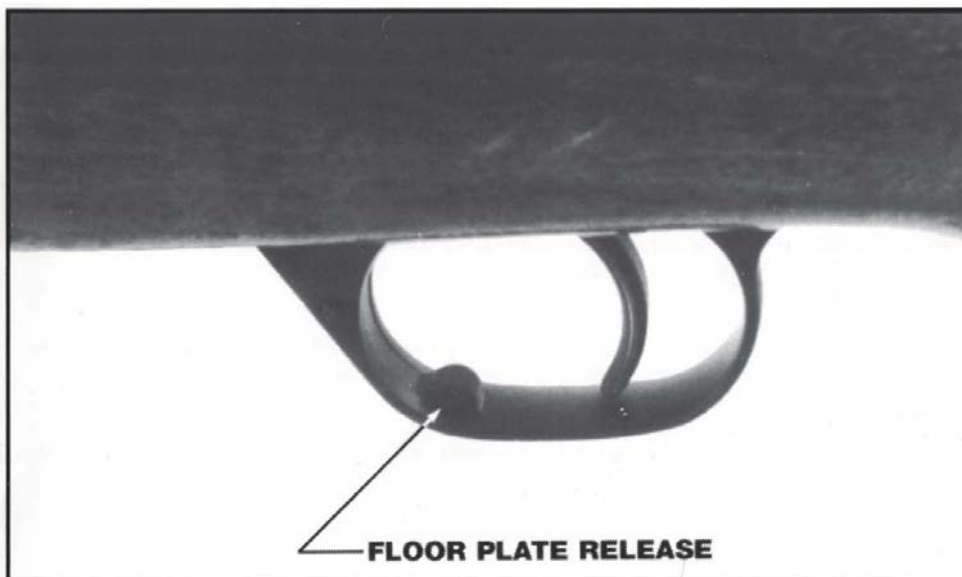
- | | |
|---|---|
| 1 Bolt sleeve | 30 Trigger |
| 2 Retainer bell - fi ring pin | 31 Trigger housing attachment screw, bottom |
| 3 Plunger spring - bolt sleeve lock | 32 Star washer - bottom attachment screw |
| 4 Plunger - bolt sleeve lock | 33 Pull weight adjustment screw |
| 5 Retainer leaf - bolt sleeve lock | 34 Spring - trigger |
| 6 Retainer leaf pin - bolt sleeve lock | 35 Pin - trigger |
| 7 Bolt sleeve lock | 36 Sear lock pin |
| 8 Screw - safety lever | 37 Trigger housing |
| 9 Safety lever | 38 Spring - bolt shop |
| 10 Spring - safety hook | 39 Bolt stop |
| 11 Safety hook | 40 Receiver |
| 12 Cocking piece | 41 Nut - swivel stud, front |
| 13 Spring - fi ring pin | 42 Stock |
| 14 Firing pin | 43 Screw - Recoil pad |
| 15 Bolt body | 44 Recoil pad |
| 16 Pin - ejector | 45 Swivel stud and bow, rear |
| 17 Pin extractor | 46 Trigger guard |
| 18 Ejector | 47 Screw - trigger guard, rear |
| 19 Spring - ejector | 48 Spring - floorplate catch |
| 20 Spring extractor | 49 Pin - floorplate catch |
| 21 Extractor | 50 Screw - trigger guard, front |
| 22 Barrel | 51 Floorplate catch |
| 23 Plug screw - receiver | 52 Floorplate |
| 24 Trigger housing attachment screw top | 53 Pin - floorplate |
| 25 Sear | 54 Screw - floorplate pivot |
| 26 Washer - sear spring | 55 Floorplate pivot |
| 27 Creep Adjustment screw | 56 Spring - follower |
| 28 Spring - sear | 57 Follower |
| 29 Pin - sear | 58 Magazine box |
| | 59 Swivel stud and bow, front |

UNLOADING YOUR FIREARM:

1. Point the firearm in a safe direction.
2. Raise the bolt handle and place your hand over the ejection port in order to catch the cartridge to be withdrawn from the chamber.
3. Slowly withdraw the bolt to the rear. The cartridge will be extracted from the chamber and ejected into your hand.
4. Place your hand under the floorplate.
5. With your free hand, push the floorplate release to open the floorplate.
6. Remove the cartridges released from the magazine.
7. Reposition the magazine follower inside the magazine and close the floorplate.

CAUTION: Double check to make sure there are no cartridges remaining in the magazine or chamber.

NOTICE: If the bolt is pushed all the way forward and a cartridge is in the magazine, that cartridge will be chambered and the rifle can be fired. Therefore, **ALWAYS** double check the magazine **and** chamber.



THE TRIGGER ASSEMBLY

PULLING THE TRIGGER FIRES THE RIFLE.

The trigger has been adjusted at the factory if you require further adjustment we recommend that you contact a Weatherby service center (*name and addresses of which can be supplied by Weatherby upon request*).

CAUTION: Never put your finger on the trigger unless you intend to fire the rifle.

THE BARREL

Always check the barrel for any obstruction as follows:

1. Point the firearm in a safe direction and remove ammunition from the chamber and magazine.
2. Remove the bolt. (*see page 6*)
3. Look through the barrel bore from the chamber end to the muzzle.

If there is an obstruction select the proper size cleaning rod and push it from the chamber and all the way through the barrel until the rod exits from the muzzle. If the obstruction cannot be easily pushed out of the barrel, contact a Weatherby authorized service center.

WARNING!! NEVER TRY TO REMOVE AN OBSTRUCTION FROM THE BARREL BY LOADING ANOTHER CARTRIDGE AND FIRING!

LOADING THE FIREARM:

1. Point the firearm in a safe direction.
2. Raise the bolt handle and withdraw the bolt to the rear.
3. Insert three cartridges into the magazine, by pushing down one cartridge at a time with the bullet tip pointing toward the chamber (*magazine cartridge capacity may vary depending on caliber*).
4. Insert another cartridge into the barrel chamber.
5. Push the cartridge in the magazine down and slide the bolt forward over the top cartridge in the magazine.
6. Slide the bolt fully forward and rotate the bolt downward into the locked position.
7. Immediately rotate the safety lever rearward to the "ON" position.

YOUR FIRE ARM IS NOW LOADED!

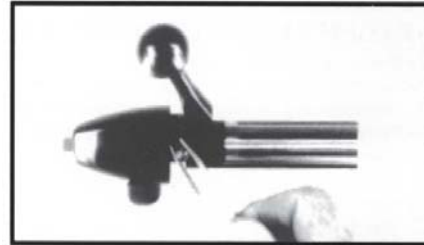
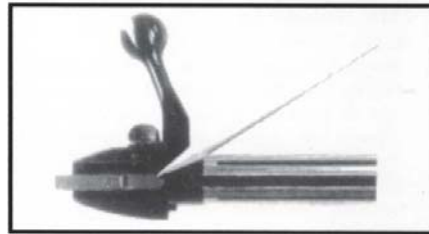
8. To fire the firearm, point the firearm in safe direction and rotate the safety lever forward to the fire position.

YOUR FIREARM IS NOW READY TO FIRE! CAUTION: *Use only ammunition for the caliber inscribed on the barrel.*

THE BOLT ASSEMBLY

FIELD STRIPPING

1. Remove the bolt. (*see page 6*)
2. Refer to photo at top right.
3. Using a square-faced object, push the cocking piece to the rear and rotate it onto its engaging shoulder in the bolt sleeve.
4. Disengage bolt sleeve detent and unscrew the bolt a few turns until the firing pin retaining ball is completely exposed.
5. Remove the ball and unscrew the bolt completely from the bolt sleeve.
6. Decompress the firing pin spring by rotating the cocking piece from its engaging shoulder in the bolt sleeve.
7. Unscrew the firing pin completely. **NOTE:** Use extreme care when removing the firing pin. The spring is under tension.



CLEANING

1. Clean all parts with a gun-cleaning solvent and dry with a clean cloth.
2. Apply a light coat of gun oil.

BOLT ASSEMBLY AFTER CLEANING

1. Place the firing pin spring onto the firing pin and place the cocking piece into the bolt sleeve.
2. Push the firing pin into the cocking piece and rotate the firing pin in a clockwise direction until the threads have engaged.
3. Screw the firing pin completely into the cocking piece until the rear of the firing pin is flush with the rear of the cocking piece.
4. Engage the cocking piece shoulder onto its engaging shoulder.
5. Hold the bolt sleeve horizontally with the retaining ball hole "UP".
6. While firmly holding the cocking piece on its engaging shoulder, rotate the firing pin clockwise until one of the firing pin grooves is directly under the retaining ball hole.
7. Insert the retaining ball.
8. Disengage the bolt sleeve detent and screw the bolt onto the bolt sleeve until it stops.
9. Release the cocking piece from its engaging shoulder and rotate the bolt sleeve until the cocking piece engages the cocking piece detent in the bolt.
10. Assemble bolt to receiver. (*see page 6*)

CLEANING YOUR FIREARM

A basic cleaning kit should consist of a proper size cleaning rod, bore brushes, patches, powder solvent, lubricant and lint-free cloths. The cleaning rod must have a tip in which the patches can be inserted. A tooth brush is a very handy tool for cleaning away dirt in hard to reach places.

THE BARREL

1. Remove the bolt. (*see page 6*)
2. With a cleaning brush attached to the cleaning rod, dip the brush into your gun cleaning solvent.
3. Push the brush through the barrel bore several times from the chamber end.
4. With the tip and patch attached to the cleaning rod, insert it into the bore from the chamber end, pushing it through until it appears on the muzzle end. Remove the dirty patch and withdraw the rod. (*repeat this step as many times as needed until patch comes out clean*)
5. Run a clean patch, saturated with light gun oil through the bore.
6. Run a dry, clean patch through the bore to remove excess oil
7. Apply a thin coat of light gun oil to the exterior of the barrel and receiver using a soft, clean cloth.

RECEIVER AND TRIGGER ASSEMBLY

1. Remove the bolt. (*see page 6*)
2. Turn the rifle upside down and remove the trigger guard screws. (*two screws for older models*) Use a screwdriver of the proper width and blade thickness to fit the screw slots.
3. Remove the trigger guard and floorplate assembly and lift the stock away from the receiver and trigger assembly.
4. Remove the magazine box from the stock.
5. Apply two or three drops of light gun oil on both sides of the trigger assembly pivots. Pull the trigger to the rear and apply two or three drops of oil to the bolt stop.
6. Spray the inside of the trigger assembly with a light gun oil as well as the receiver.
7. Let the oil stand for ten to fifteen minutes, then shake off all excess lubricant.
8. With a clean cloth, wipe the trigger and receiver leaving a light coat of oil on all parts.

NOTE: Do not leave an excessive amount of oil on any parts, especially to the inside of the receiver. Check the chamber to make sure it is free of oil.

MAGAZINE BOX

1. Clean with a gun-cleaning solvent and wipe dry with a clean cloth
2. Apply a light coat of gun oil to the inside and outside.

TRIGGER GUARD ASSEMBLY

1. Clean the trigger guard and floorplate including the follower spring with gun cleaning solvent, dry with a clean cloth and apply a light coat of gun oil.
2. Do the same to the trigger guard screws.

NOTE: Do not attempt to remove or alter the nylon inserts in the screw threads. These inserts prevent loosening under recoil in order to maintain a constant point-of-impact.

STOCK

Usually wiping the stock with a dry clean cloth or a silicon cloth is all that is necessary. If you have been hunting or shooting in wet weather, let the stock dry before reassembly.

RUST PREVENTION & REPAIR

1. During normal maintenance, after a thorough cleaning, allow 2-3 hours at room temperature, for all metal parts to dry completely. This will allow any moisture that has collected on your metal parts to dry completely. This will allow any moisture that has collected on your metal parts to evaporate. Apply a liberal amount of high grade Gun Oil, wiping off any excess with a clean cloth.
2. If rusting does occur it may only be surface rust due to excessive moisture. You may be able to clean it by using a plastic bristled gun brush and cleaning solvent. If this is successful repeat item #1 above. If you are unable to remove the rust, please contact a Weatherby Authorized Service Center or your local gunsmith. Immediate attention to this problem is imperative to prevent unrepairable rust damage. **DO NOT ALLOW RUST TO GO UNTREATED!**

RIFLE REASSEMBLY AFTER CLEANING

1. Replace the receiver-barrel-trigger assembly into the stock.
2. Insert the magazine box into its cavity on the underside of the stock. Push it all the way into the receiver.
3. Hold the rifle in a vertical position and place the trigger guard assembly with its follower and follower spring into its cavity. Hold it in place.
4. Insert the trigger guard screws.
5. With a screwdriver of the proper size, lightly tighten the screws.
6. Grasp the barrel and pull it to the rear to seat it properly.
7. Tighten the front screw firmly and then the middle and then the rear screw.
8. Assemble bolt to receiver. (*see page 6*)

STORING YOUR RIFLE

1. Store your rifle and ammunition in two different places.
2. Do not store your rifle in a leather case, scabbard or foam lined gun case. **Leather and Foam can attract moisture and cause rusting.**

CAUTION: Do not apply oil or lubricant to ammunition. Excess pressures can result when fired in this condition.