

**INSTRUCTION  
MANUAL AND  
WARRANTY CARD**

YOUR

*Weatherby*  
MARK V

*today's most versatile  
big game rifle*

*Welcome*

to the growing family of hunters who have chosen a Weatherby rifle. We are confident that you will discover, as they have, that a Weatherby is not a purchase but an *investment*. It is an investment in the success of all your future hunts. You have, in a Weatherby, a rifle of outstanding excellence and reliability, the strongest and safest yet devised. Treat it with the normal care you give any of your cherished possessions and it will reward you with a lifetime of service and pleasure. Good hunting!

## WARRANTY

Your Weatherby rifle is a precision firearm manufactured of the finest materials and has been thoroughly inspected and tested in every phase of production. It is warranted to be free of defects in material and workmanship under normal use and service for a period of twelve months from the date of purchase. This warranty shall not apply to defects resulting from accident, misuse or alteration by unauthorized persons. This warranty shall also be void if any other than factory loaded ammunition is fired in it. If your rifle fails due to a defect in original workmanship or materials, all necessary repairs will be made providing the firearm is returned to Weatherby, Inc., transportation prepaid, and it is deemed defective upon the inspection of our gunsmiths. Rifles must be accompanied by letter explaining nature of defect. This warranty applies only to the original purchaser.

*(To make sure your Weatherby Factory Warranty goes on file promptly, fill out the warranty card attached and mail as soon as possible.)*

## THE WEATHERBY MARK V RIFLE

### SPECIFICATIONS

- receiver:** We believe the Weatherby Mark V features the *safest, strongest bolt action receiver ever designed*. Nine\* precision locking lugs plus completely supported bolt head and three gas ports combine to accomplish this. Each receiver is specially heat-treated to insure uniformity, then tested at pressures far in excess of normal. The receiver is fitted with a highly refined trigger for uniform crisp let off. All locking lugs, bolts, and moving parts have passed rigorous inspection to assure you of continuing quality. Finally after inspection, the receiver is polished to a high luster and immersed for an hour in a special bluing solution, producing the most durable blue-black finish found on any piece of steel the world over.
- barrel:** The Weatherby barrel on your rifle is 24 or 26 inches in length, depending on model and caliber. All barrels have six grooves. The .257, .270, .300 and .378 calibers have a 12" twist. The .240, 7mm, .30-06 and .340 have a 10" twist. The .224 and .22/250 have a 14" twist and the .460 has a 16" twist. The rifling is produced by the new revolutionary *hammer-forged* method, another Weatherby first. This swaging process gives the special high-chrome content alloy steel barrel the smoothest, hardest bore ever developed, thus assuring longer bore life with greatest accuracy.
- stock:** The distinctively shaped stocks on the Weatherby Mark V rifles have become the "new standard" in styling the world over. Each is made of the finest woods available and finished by a new treating and coating process giving you more rugged durability than any other finish known. Every Weatherby Mark V is painstakingly hand-bedded to assure you precision accuracy, is equipped with a Weatherby recoil pad, Rosewood pistol grip cap with traditional Weatherby white diamond inlay, Rosewood 45° forend tip with white spacers, and hand-checked by skilled artisans.

\*Mark V .224 and .22/250 Varmintmasters have 6 locking lugs.

**DIRECTIONS FOR OPERATING**

**to assemble bolt to receiver:** The bolt of your Weatherby Mark V rifle is packed separately in the shipping carton. Fit forward end of bolt into the receiver, pull trigger back as far as possible, and slide bolt partially forward in receiver. Then, rotate bolt right or left until bolt stop engages the groove on the under side of the bolt, and complete insertion and locking of bolt in receiver.

**loading:** (Important, before loading your rifle, always be sure there are no obstructions in the barrel such as grease, dirt, patches, etc.) With bolt open, lay cartridge on magazine follower, and press into magazine until held by side walls. The magazine of your Weatherby Mark V will hold three® Weatherby magnum cartridges. An extra cartridge may then be loaded directly into the chamber by holding down the top cartridge in the magazine and closing the bolt on the chambered cartridge.

**safety:** The safety, which is located on the right side of the bolt sleeve, cannot be operated unless the firing pin is cocked. To engage, move safety as far back as it will go covering red dot. This disengages the sear from the trigger and locks the bolt handle in the closed position.



figure 1

\*Magazine in .224 Varmintmaster and .30-06 Mark V holds 4 cartridges. .240 caliber holds 5 cartridges in the magazine. .378 and .460 calibers hold 2 cartridges in the magazine.

**to fire:** Push safety forward exposing red dot, and pull trigger to fire. (fig. 1)

**to unload:** To remove live cartridge from the chamber, open bolt and pull bolt rearward slowly until the cartridge can be grasped with the fingers before it clears the receiver. To remove cartridges from the magazine, open hinged floor plate by depressing the button in front of trigger-guard and cartridges will drop out.

**DISASSEMBLY OF BOLT**

No special tools are needed in order to field strip the Weatherby Mark V.

**to remove bolt:** Unload chamber and magazine of all ammunition. With bolt open and drawn rearward, pull trigger back as far as possible and remove bolt from receiver.

**to field strip bolt:** With the use of any square faced object, preferably hardwood, push cocking piece rearward approximate-



figure 2

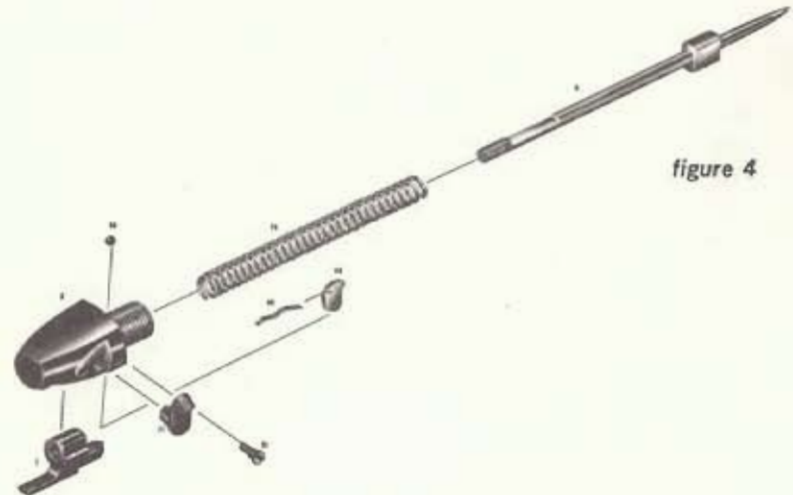
figure 3



ly 1/8" and rotate cocking piece into its engaging shoulder in the bolt sleeve. (fig. 2) Hold bolt sleeve in horizontal position and unscrew bolt. After one or two turns of the bolt, remove firing pin retaining ball through the opening in the bolt. If ball sticks, tap bolt gently. (fig. 3) With bolt now removed from the firing pin assembly, release cocking piece from its engaging shoulder in order to decompress firing pin spring. Unscrew firing pin completely from cocking piece. Field stripping is now complete. See fig. 4. (Further disassembly is not recommended and should be performed only by your gunsmith or by Weatherby's own factory-trained gunsmiths.) Assembly is done in reverse order.

**note:** In assembly, make sure that the threaded (back-end) portion of the firing pin is screwed-in flush with the rear surface of the cocking piece. If the flat on the firing pin (visible through hole in bolt sleeve) does not appear to be in alignment, unscrew the firing pin until alignment is correct. This method of re-assembly ensures proper firing pin travel and protrusion.

figure 4



### SUGGESTIONS FOR GETTING TOP PERFORMANCE FROM YOUR WEATHERBY MARK V

- I. Your Weatherby Mark V is guaranteed to be accurate with Weatherby factory ammunition. This guarantee is supported by test firing each rifle at the factory. Ammunition used is the same high quality Weatherby ammunition available at your Weatherby dealer. Each Weatherby rifle must shoot a 3-shot group at 100 yards measuring 1 1/2" or less before leaving our factory. This group is shot from a cold barrel sim-

ulating actual field conditions. Remember, for best results always use Weatherby factory loaded ammunition.

2. Make sure that both trigger guard screws are tight before firing your rifle. Always tighten the front guard screw first and the rear screw last. Loose trigger guard screws not only contribute to inaccuracy but can also cause stock damage. *Check these screws periodically* as recoil and changes in atmospheric conditions can cause them to work loose.
3. Be sure your scope is secure. Loose mount screws are a definite source of inaccuracy. If your scope was mounted at our factory, you may be sure the mounting screws will "stay put" as they were treated with a special thread-sealer that resists recoil vibrations.
4. If there should ever occur a noticeable change in point of impact or opening of groups, and you have checked all the above sources of inaccuracy, it is possible that there has been a slight dimension change in the stock due to atmospheric variations. (This can happen to any wood stock no matter how well sealed.) The remedy is usually minor rebedding of the barrel. Consult the factory before returning the rifle.

**sighting in tips:** When hunting, the important first two or three shots are fired from a "cold" barrel . . . therefore, always sight in your Weatherby from a cold barrel. Remember that Weatherby rifles are lightweight hunting rifles, and though they possess target accuracy, do not expect small tight groups if the barrel is overheated. Firing 10 or 20 rounds in rapid succession *will* overheat the barrel and may cause change of impact. When hunting in the field, it is the first three or four shots that count, and these are always fired from a cold barrel. If it has been some time since your rifle has been sighted, it is always a good idea before a hunting trip to take a few sighting shots to check

(continued)

zero. Keep ammunition away from heat, high temperature increases pressure which in turn affects point of impact.

If you anticipate a hunt in extremely cold weather, where temperatures sometimes reach 50 degrees below zero, you should send your bolt to our factory for winterizing. Any trace of lubricants will be removed and replaced with a special graphite.

### INSTRUCTIONS FOR CARE AND CLEANING

Weatherby Magnum ammunition is completely non-corrosive and cannot harm your rifle's bore. However, moisture can form in the bore and this can cause rust if left unattended.

It is just good sense and a simple precaution after firing to run a patch soaked with a powder solvent through the bore, then a dry patch followed by a lightly oiled patch. Heavy greases should be used only if the rifle is to be stored for a long period and, of course, should always be removed before firing. In cleaning the bore, it is highly advisable to remove bolt and insert rod from breech. (Be sure rifle is unloaded before starting cleaning.)

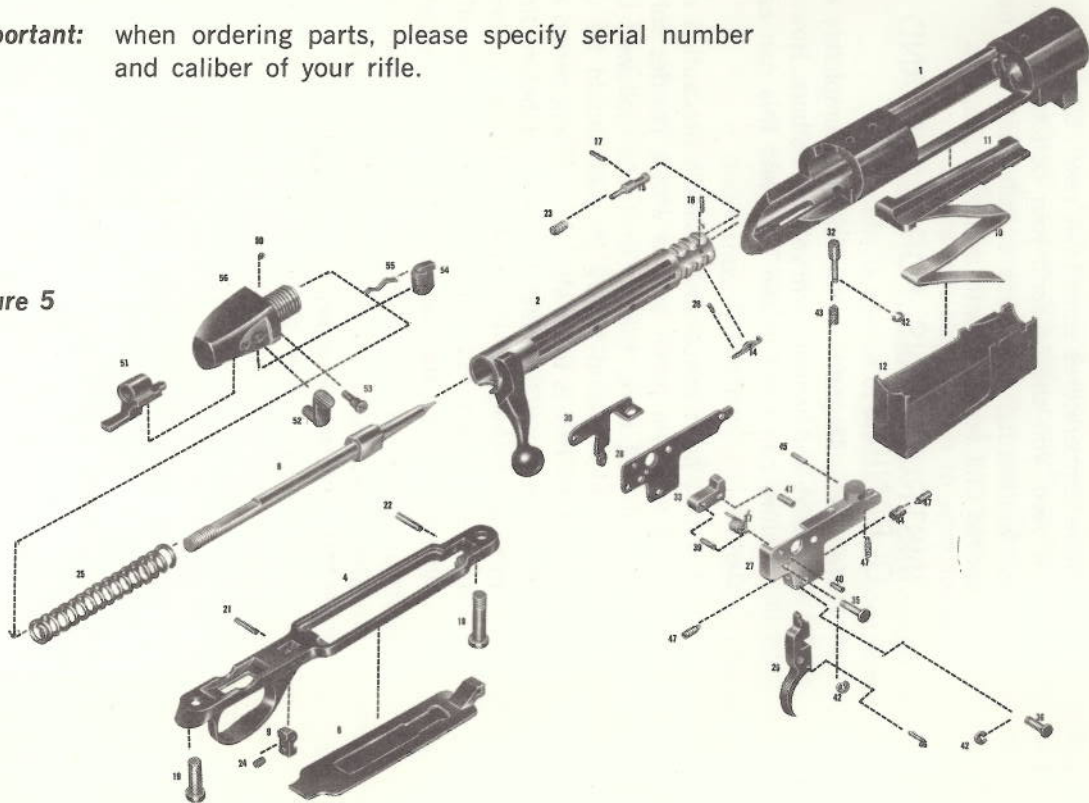
The action and all metal parts should be cleaned off after exposure to rain or dampness and even after being handled. (Perspiration can be very corrosive.) Wipe off parts, such as bolt, receiver and magazine parts with a slightly oily cloth. To insure smooth bolt movement, give exterior of bolt a thin coat of light oil. To restore gloss to external metal and wood, polish with silicone cloth.

To protect bore while hunting in rain or dust, cover the muzzle with Scotch tape. Rifle may be fired without removing tape. Tape should always be removed from the rifle after the hunt. Never plug muzzle with any obstruction during storage.

# THE WEATHERBY MARK V RIFLE

**important:** when ordering parts, please specify serial number and caliber of your rifle.

figure 5



## LIST OF PARTS

- 1 Receiver (Installed)
- 2 Bolt (Installed)
- 4 Trigger Guard
- 6 Firing Pin
- 8 Magazine Floor Plate
- 9 Magazine Floor Plate Catch
- 10 Follower Spring
- 11 Magazine Follower
- 12 Magazine Box
- 14 Extractor
- 15 Ejector
- 16 Extractor Pin
- 17 Ejector Pin
- 18 Front Trigger Guard Screw
- 19 Rear Trigger Guard Screw
- 21 Magazine Floor Plate Release
- 22 Floor Plate Pin
- 23 Ejector Spring
- 24 Floor Plate Catch Spring
- 25 Firing Pin Spring
- 26 Extractor Spring
- 27 Trigger Housing
- 28 Side Plate
- 29 Trigger
- 30 Bolt Release
- 32 Bolt Stop
- 33 Sear
- 35 Bolt Release Pin
- 36 Trigger Pin
- 37 Sear Torsion Spring
- 39 Sear Pin
- 40 Sear Torsion Spring Pin
- 41 Sear Lock Pin
- 42 Tru-arc Ring
- 43 Bolt Stop Spring
- 44 Trigger Spring
- 45 Trigger Housing Pin
- 46 Trigger Release Pin
- 47 Trigger Adjusting Screw
- 50 Retainer Ball
- 51 Cocking Piece
- 52 Safety Lever
- 53 Screw for Safety Hook
- 54 & 55 Safety Hook & Spring Assembly
- 56 Bolt Sleeve