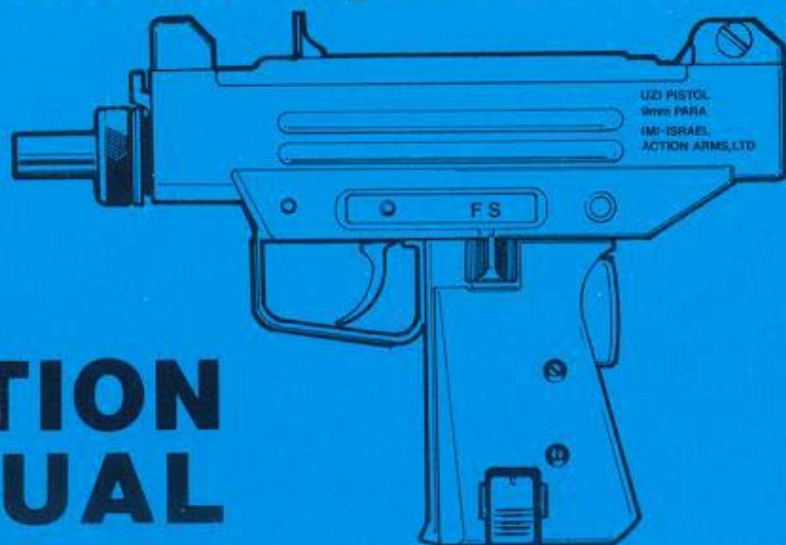


UP

01054

# UZI 9mm semi-automatic pistol



## INSTRUCTION MANUAL



**action arms ltd.**



ISRAEL MILITARY INDUSTRIES

# WARNING!

IT IS DANGEROUS TO ALTER OR MODIFY THIS FIREARM IN **ANY** WAY. ANY ALTERATION OR MODIFICATION OF THE FIRING MECHANISM MAY RESULT IN THIS FIREARM BECOMING UNSAFE. ANY ATTEMPT TO ALTER OR MODIFY THIS FIREARM IS ILLEGAL AND WILL NULLIFY ALL WARRANTIES AND WILL BE SUBJECT TO IMMEDIATE NOTIFICATION OF APPROPRIATE FEDERAL LAW ENFORCEMENT AGENCIES.

PLEASE READ ENTIRE MANUAL BEFORE HANDLING & OPERATING THIS FIREARM FOR THE FIRST TIME.

MQ0320000263B

# TABLE OF CONTENTS

	Page
<b>SAFETY PRECAUTIONS</b> .....	2
<b>SPECIFICATIONS</b> .....	4
<b>FACTS ABOUT YOUR UZI</b> .....	6
<b>DISASSEMBLY AND ASSEMBLY</b> .....	10
Barrel .....	11
Bolt and Cover Assemblies .....	12
Magazine .....	16
<b>OPERATING INSTRUCTIONS</b> .....	18
Magazine .....	18
Loading and Unloading .....	19
Precautions before Firing .....	22
Aiming and Firing .....	22
<b>CARE AND CLEANING</b> .....	25
Initial .....	25
Periodic .....	26
Before and after Firing .....	28
Additional Disassembly .....	30
<b>IMMEDIATE ACTION AND TROUBLE SHOOTING</b> .....	36

# SAFETY PRECAUTIONS

Make sure that the pistol is unloaded before:

- Receiving or handing over a pistol.
- Transporting the pistol.
- Cleaning or disassembly.

Always remove the magazine immediately after firing and make sure that the chamber is empty. Make sure that the fire selector (safety catch) is on "S" (Safe) position to guarantee that the pistol is safe whenever:

- Inserting magazine.
- You have stopped firing it.
- The pistol is being transported or moved.
- The pistol is not in use.

When handling the pistol:

- Never point it at a person.
- Always make sure that the barrel points in a safe direction.
- Always assume that the pistol is loaded.

Never load a pistol until you are ready to use it. Practice handling the pistol empty before attempting to fire (The UZI may be dry fired without harm to the pistol).

Before shooting the pistol:

- Always wear eye and ear protection.
- Always be sure of target backstop and what lies beyond it.

Use only clean, dry, original high quality currently commercially manufactured 9mm ammunition in good condition. Reloaded or remanufactured ammunition should not be used. Use of this type of ammunition will void all warranties.

Never handle ammunition with oily fingers.

The UZI Semi-Automatic Pistol can be fired under some circumstances with the bolt open or partly open, by pulling the trigger; therefore, user should be careful to keep fingers clear of the trigger whenever:

- Extracting a live round from the chamber.

- Checking an obstruction lodged in the chamber.
- Looking into the ejection port area.
- Opening or closing the bolt whenever there is a round in the chamber or magazine.

Make sure that the barrel is fully seated before firing, as described on page 11.

**REMEMBER:** ALWAYS ASSUME THAT THE PISTOL IS LOADED: LOOKING INTO THE END OF THE BARREL (MUZZLE) IS NOT RECOMMENDED AT ANY TIME.

## SPECIFICATIONS

### WEIGHT

Pistol empty	1.73 kg (3.8 lb)
Magazine(20 rd. empty)	160 g (5.6 oz.)

---

### LENGTH

Overall	240 mm (9.45 in)
---------	------------------

---

### MECHANICAL FEATURES

Method of operation and breech closure	Blowback firing from closed bolt with floating firing pin
Method of feeding	Magazine
Ejection	Through port at right side

---

### BARREL

Length	115 mm (4.5 in)
Rifling	R.H. 4 grooves, 1 turn in 245 mm (10 in)

---

## AMMUNITION

Caliber

9 mm Parabellum (Luger)

Type

Ball & Hollow Point

---

## FIRING CHARACTERISTICS

Muzzle Velocity\*

335 m/sec (1100 ft/sec)

---

## SIGHTS

Front Sight

Post type (adjustable for elevation)

Rear Sight

Square notch (adjustable for windage)

---

## SAFETIES

Fire Selector

Safe and semi-automatic

Safety Grip

Blocks sear and breech

---

\*Depending upon type of ammunition used

## FACTS ABOUT YOUR UZI PISTOL

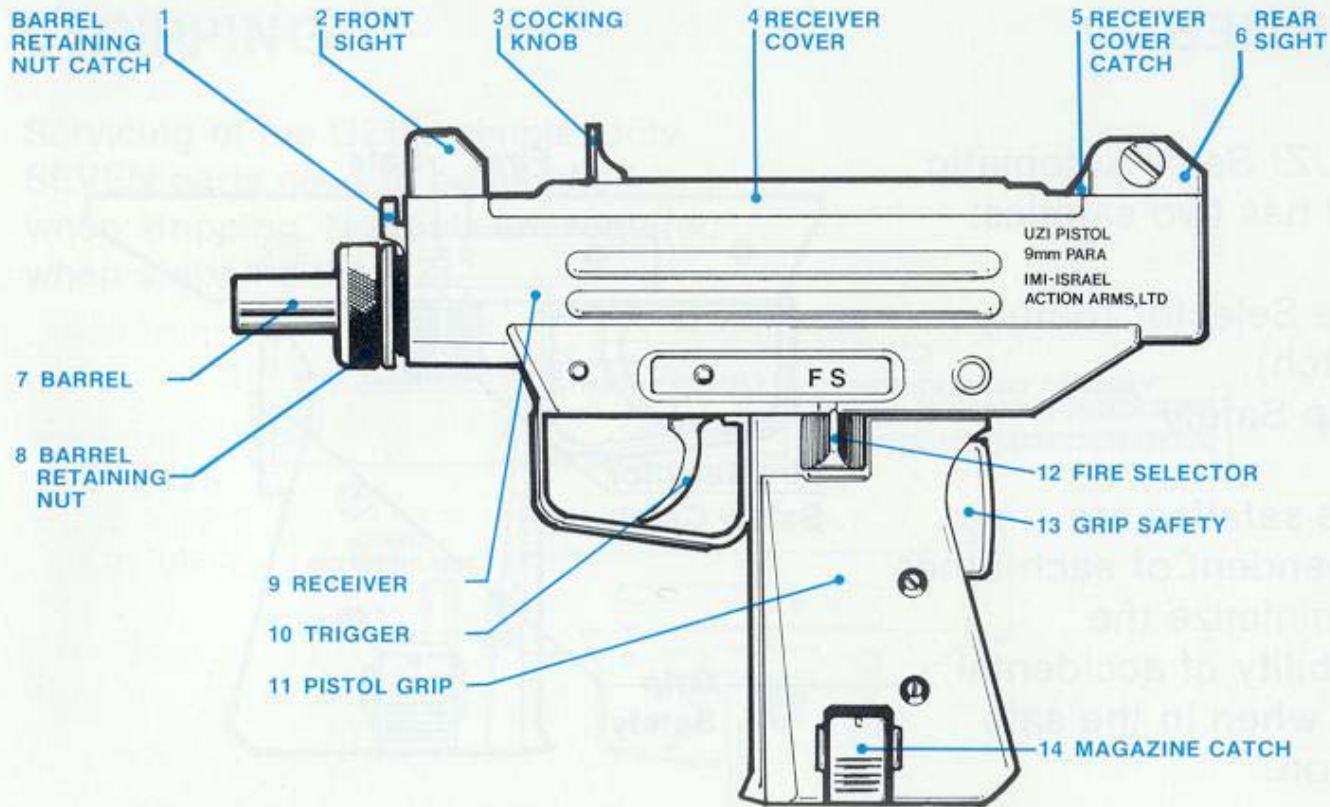
The UZI Pistol is a lightweight magazine-fed firearm. It is blowback operated and fires from a closed breech with a floating firing pin.

A brief description of the UZI Pistol follows:

Refer to illustration, (see opposite page).

- The barrel (7) is attached to the receiver (9) by the barrel retaining nut (8).
- The barrel retaining nut catch (1) is on the front end of the receiver (9).
- The front (2) and rear sights (6) and their guards are located on the front and rear top ends of the receiver.
- The receiver cover (4), with cocking knob (3), is located on top of the receiver.
- The bolt, striker assembly, and return spring assembly travel inside the receiver (9).
- The striker assembly accommodates the return spring assembly.
- The pistol grip (11) is attached to the center lower part of the receiver (9).
- The fire selector (12) is located at the top of the left side of the pistol grip (11).
- The magazine catch (14) is located on the lower left side of the pistol grip (11).
- The trigger (10) and its guard are located in front of the pistol grip (11).
- The grip safety (13) is located at the rear upper part of the pistol grip (11).



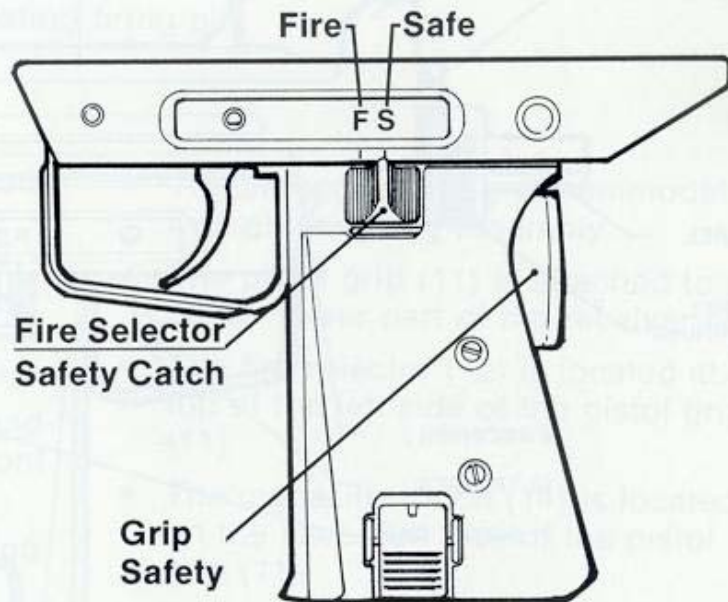


## SAFETIES

The UZI Semi-Automatic Pistol has two safeties:

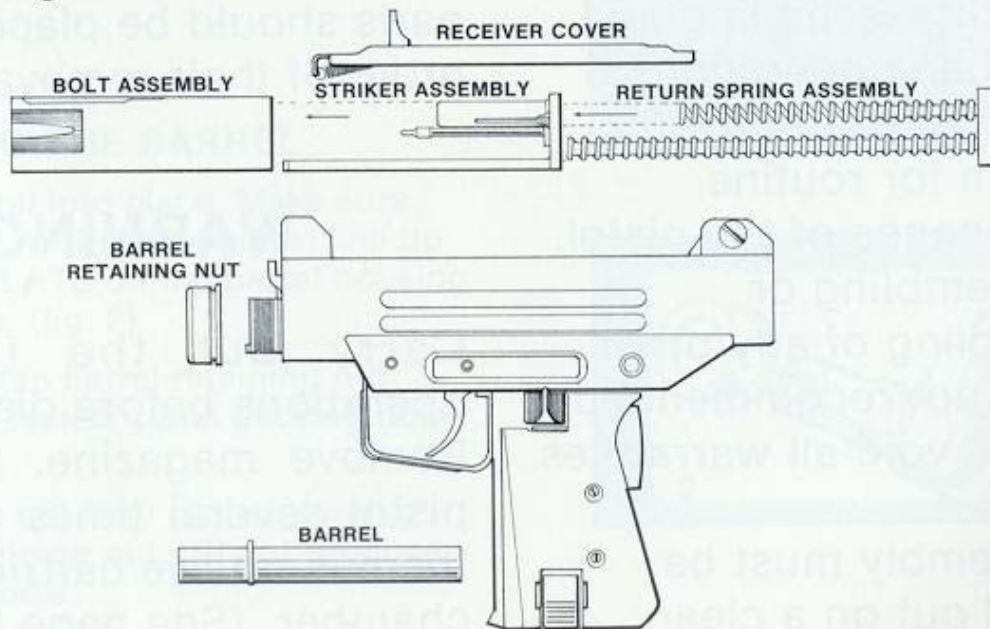
- Fire Selector (Safety Catch)
- Grip Safety

These safeties are independent of each other and minimize the possibility of accidental firing when in the safe position.



## STRIPPING

Servicing of the UZI is simple: only SEVEN parts need to be handled when stripping. No tools are required when stripping the UZI.



# DISASSEMBLY AND ASSEMBLY

## GENERAL

1. This chapter deals with those disassembling and assembling operations which the user may perform for routine maintenance of the pistol. Disassembling or assembling of any other part is not recommended and will void all warranties.
2. Disassembly must be carried out on a clean

surface and disassembled parts should be placed in order of their removal.

## **WARNING:**

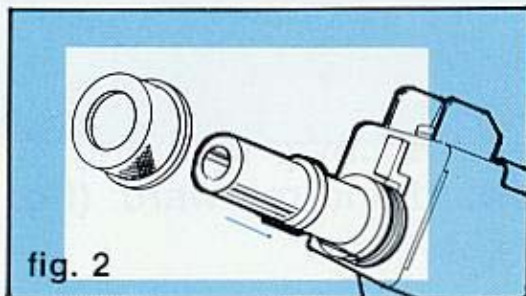
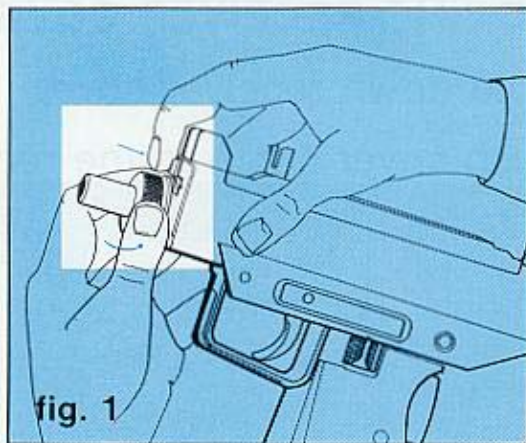
Carry out the following operations before dismantling: Remove magazine. Clear the pistol several times to ensure there is no live cartridge in the chamber. (See page 21.)

## REMOVING THE BARREL

1. Depress barrel retaining nut catch. (fig. 1).
2. Unscrew barrel retaining nut counter-clockwise (looking from the front).
3. Pull out barrel.

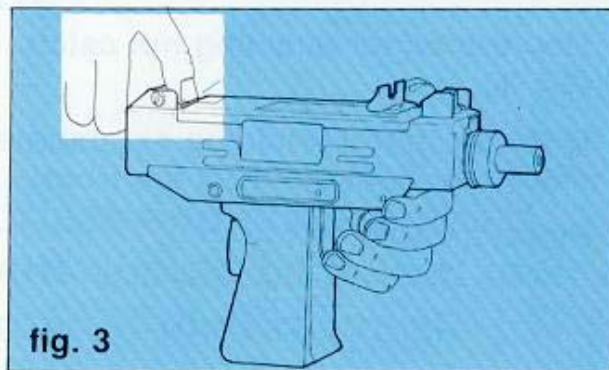
## INSTALLING THE BARREL

1. Insert barrel into place. Make sure that the FLATS on the barrel line up with the FLATS on the barrel housing protrusion. (fig. 2).
2. Hand tighten barrel retaining nut until fully seated. (until clicking noise stops).
3. If barrel is not fully seated, turning barrel retaining nut will not produce clicking noise.

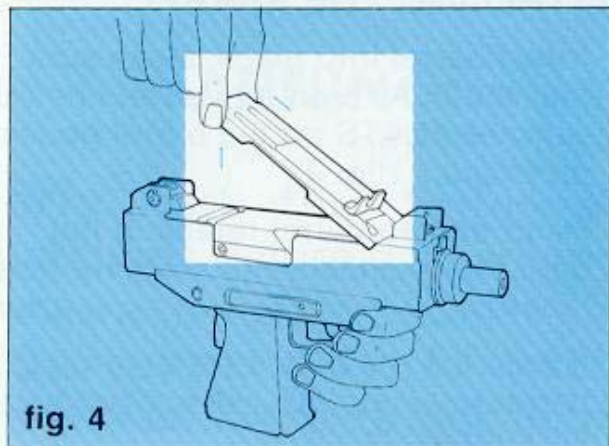


## REMOVING RECEIVER COVER

1. Hold down receiver cover.
2. Push cover catch to the rear. (fig. 3).

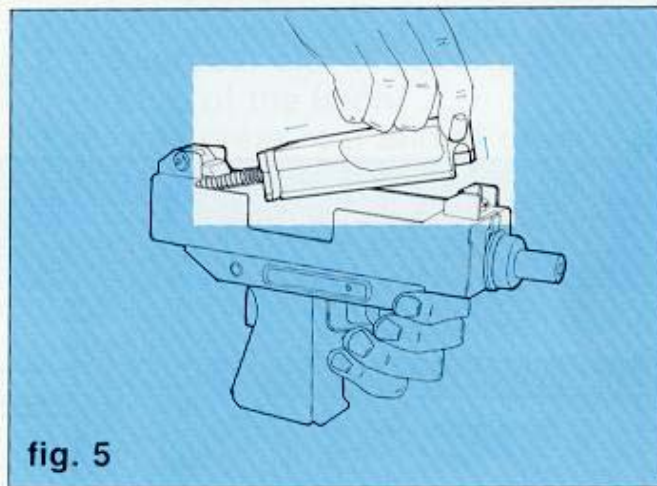


3. Remove cover by lifting upward and rearward. (fig. 4).



## REMOVING THE BOLT AND STRIKER ASSEMBLY

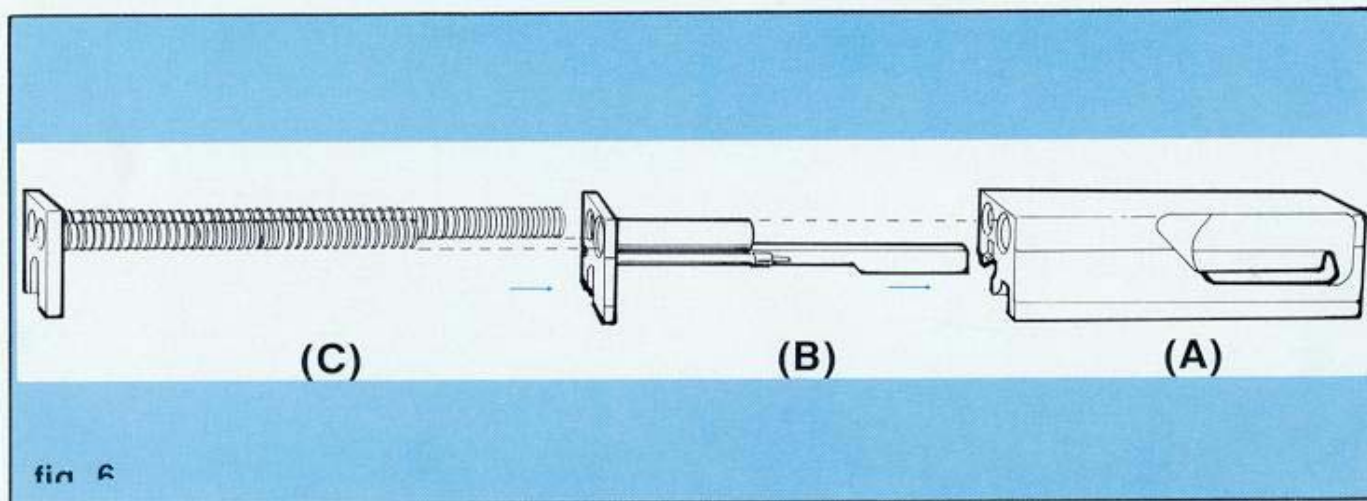
1. Lift the bolt up about 1", press backward about 1/2" and lift bolt and striker assembly out and forward (fig. 5).
2. Remove the striker assembly by pulling rearward.
3. Remove return spring assembly.



## ASSEMBLING THE BOLT AND THE STRIKER ASSEMBLY

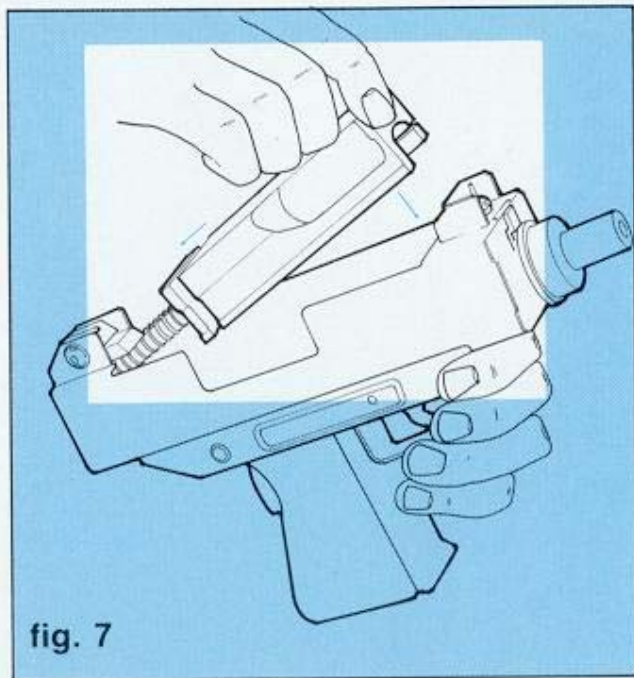
1. Insert striker assembly (B) into bolt (A) (fig. 6).

2. Insert return spring assembly (C) into rear of striker assembly (B)
3. Holding entire assembly, guide return spring assembly (C) into rear of receiver.



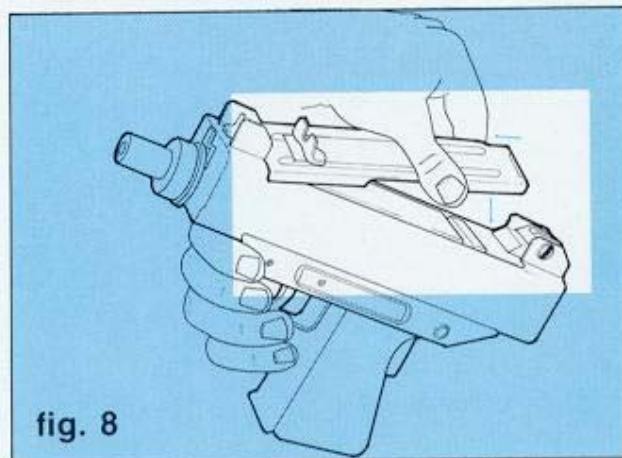


4. Pull bolt backward (about 1/2") and lower it into receiver (fig. 7).  
NOTE: Do not force.



## ASSEMBLING RECEIVER COVER

1. Insert front end of cover (narrow end) in recess under front sight (fig. 8).
2. Lower rear end of cover until it rests on top of the latch.
3. Firmly press rear end of cover until catch snaps into place.
4. Check that catch is fully forward.

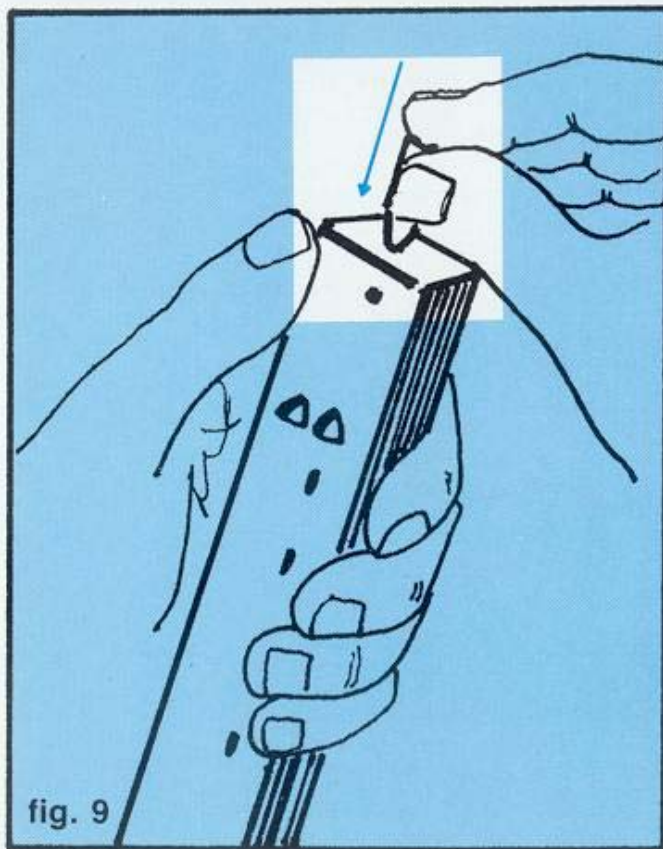


## DISASSEMBLY AND ASSEMBLY OF THE MAGAZINE

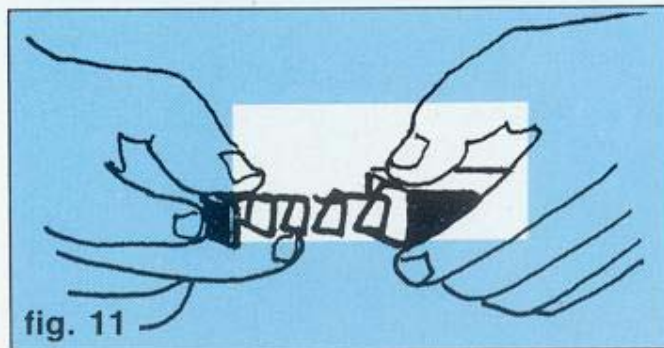
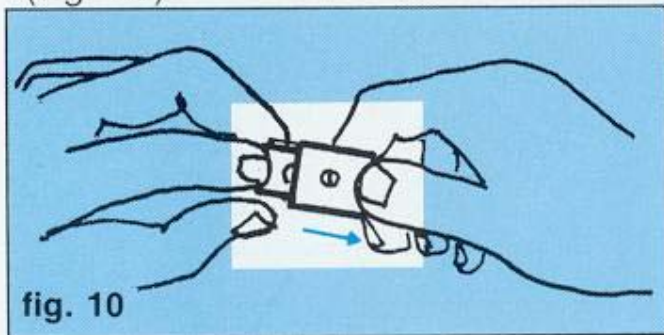
### DISASSEMBLING

**WARNING:** Magazine spring is under pressure and can fly out and cause injury if not held in place during assembly and disassembly. Do not point magazine base toward face or other person.

1. Before disassembling the magazine, remove all cartridges.
2. Hold magazine with base facing upwards.
3. With the aid of a small pointed object, push base catch inward (fig. 9).
4. With catch depressed, carefully push magazine base forward approximately 1/2" (until catch protrusion is visible at edge of base).



- Carefully holding spring in place with index finger, remove magazine base (with other hand). (fig. 10).



- Using both hands, ease spring and follower out of housing (fig. 11).

## ASSEMBLING

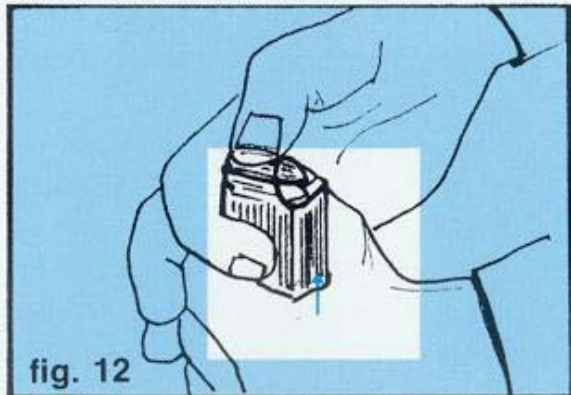
- Hold magazine with lips downward, slots facing away from you.
- Insert follower with legs up and long leg to your right, and drop into place. Do not force.
- Hold spring vertical with catch up so that catch is higher on the right side.
- Insert spring into housing.
- Compress spring so that catch is slightly below housing bottom.
- While holding spring with index finger, insert base with square edge facing magazine and push home until catch locks.

# OPERATING INSTRUCTIONS

## FILLING AND EMPTYING THE MAGAZINE

### FILLING

1. With magazine in upright position & slots facing you, place cartridge on follower with bullet facing left.
2. Press down until cartridge snaps under lip. (fig. 12).
3. Repeat until loaded.
4. Do not load more than 20.



### EMPTYING

1. Push out cartridge with thumb (fig. 13).
2. Repeat until magazine is empty.

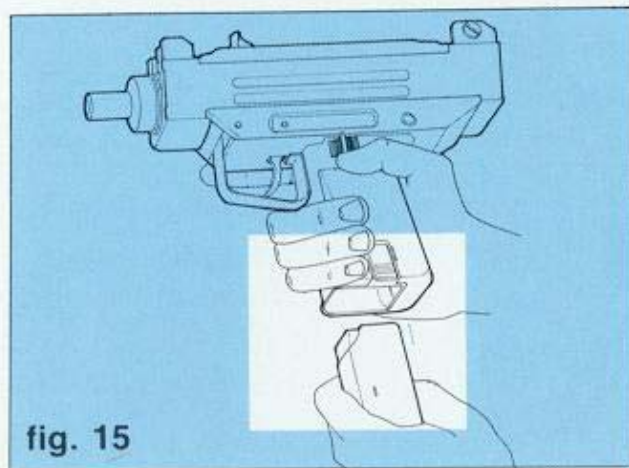
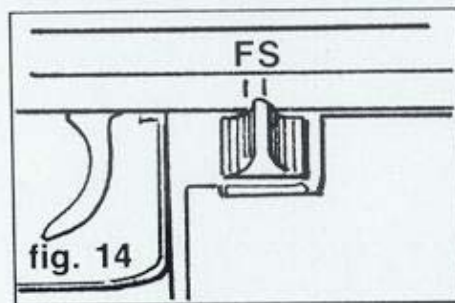
**WARNING:** USE I.M.I. MAGAZINES ONLY. OTHER MAGAZINES MAY CAUSE FEEDING PROBLEMS.



## LOADING THE UZI

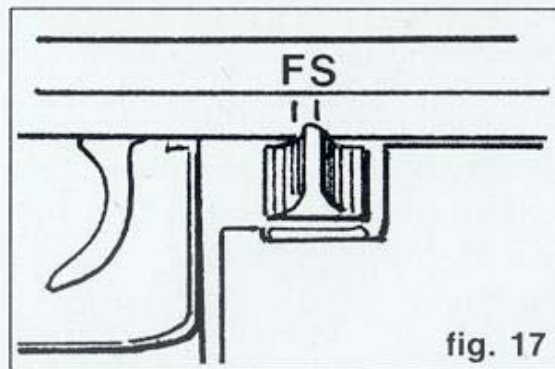
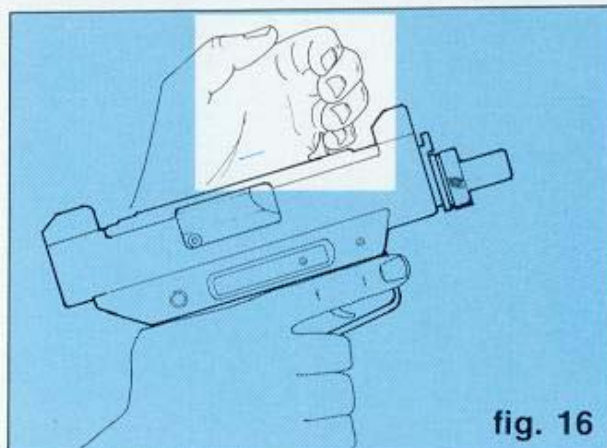
### INSERTING THE MAGAZINE

1. Clear the pistol (see page 21).
2. Set the fire selector on "S"  
(Safe). (fig. 14).
3. Grasp pistol grip with right hand,  
trigger finger outside of trigger  
guard.
4. Tilt the pistol to the right, and  
insert the magazine into the  
pistol grip opening with your left  
hand. Push until magazine catch  
snaps into place. (fig. 15).



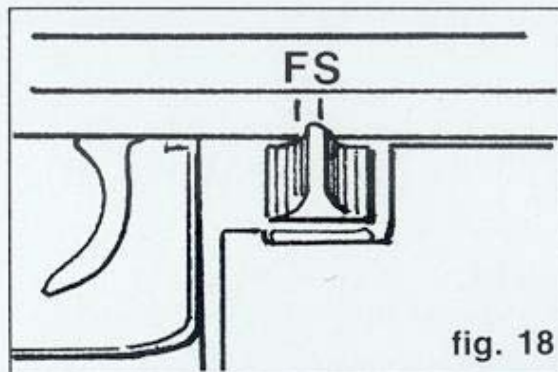
## COCKING THE UZI

1. Never chamber a round until you are ready to fire.
2. Set fire selector to "F" (Fire).
3. Hold the pistol by the pistol grip, with the trigger finger outside of trigger guard.
4. While fully depressing the safety grip, pull cocking knob all the way back and release knob instantly to allow bolt to snap forward. (fig. 16).
5. The pistol is now cocked and ready to fire with a round chambered.
6. Move the fire selector to "S" (Safe). (fig. 17).



## UNLOADING (CLEARING) THE UZI

1. Place fire selector on "S" (Safe). (fig. 18).
2. Depress magazine catch and remove magazine (fig. 19).
3. Place fire selector on "F" (Fire) and cock bolt to remove live cartridge in chamber (see previous page).
4. Holding bolt in the rear position, look into chamber to ensure that chamber is empty.
5. If chamber is not empty, release bolt and repeat steps 3 & 4. If, after repeating twice, chamber is not empty, refer to Trouble Shooting. (see page 36).
6. With chamber empty, release bolt and squeeze trigger with barrel pointing in safe direction.
7. Place fire selector on "S" (Safe).
8. Empty magazine. (see page 18).



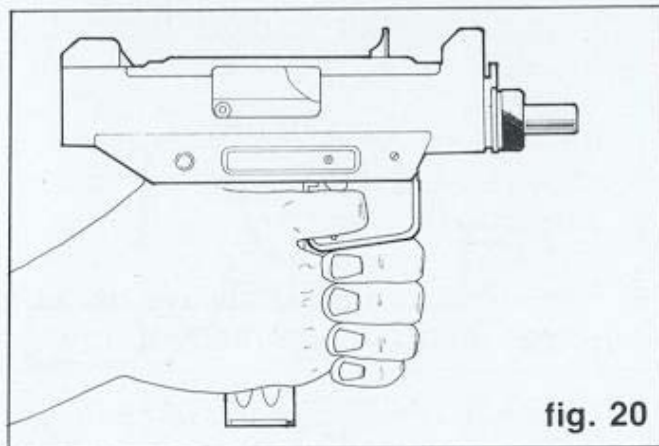
## PRECAUTIONS BEFORE FIRING

1. Before firing, always wear eye and ear protection.
2. Before firing, ensure barrel is dry, clean, free of obstructions and pistol is unloaded.
3. With fire selector on "F" (Fire), cock and dry fire at least twice to make sure that the mechanism is working smoothly and properly.
4. Cock the pistol, return fire selector to "S" (Safe), point barrel in safe direction, squeeze trigger to ensure safety catch is working properly. Return fire selector to "F" (Fire) and dry fire. Set fire selector to "S" (Safe).
5. Never put your finger inside the trigger guard or squeeze trigger unless you are ready to fire. From the time that the magazine is inserted, until pistol is cleared and clearance checked, keep pistol pointed in a safe direction.
6. Fire selector should always be on "S" (Safe) until you are ready to fire.
7. Check that magazines are clean and properly loaded.

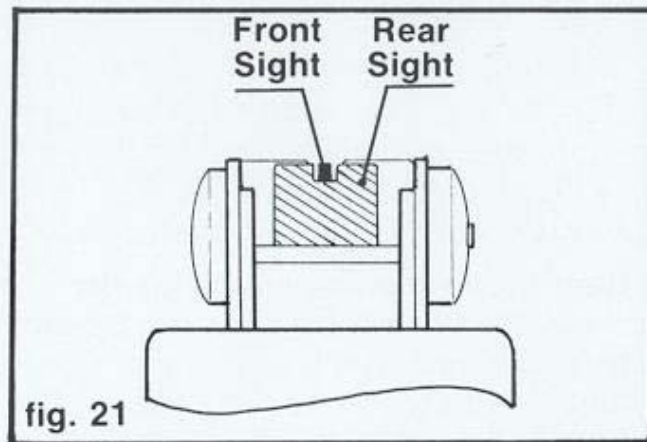
## AIMING AND FIRING

1. After loading the pistol as previously described, grasp the UZI with one hand on the pistol grip (trigger finger outside of trigger guard) and the other hand around the shooting hand. (fig. 20).





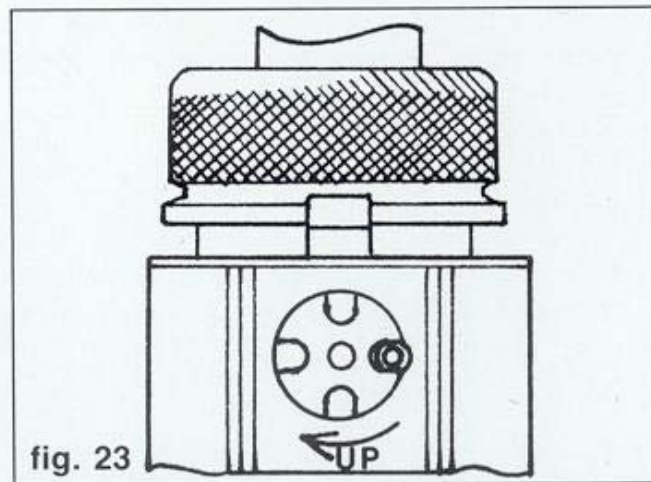
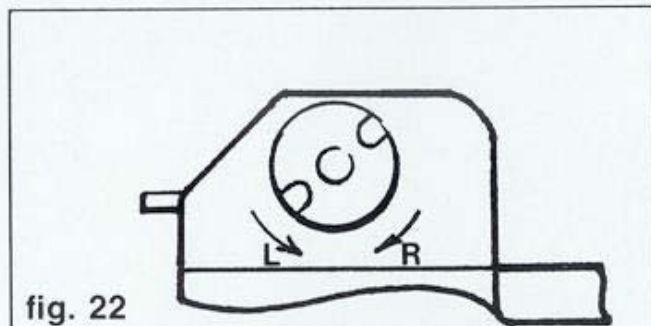
2. Line up your sights with your target by placing the top of the post in the center of the rear notch. (fig. 21).
3. Move fire selector to "F" (Fire), place trigger finger on trigger and squeeze until pistol fires. SAFETY GRIP MUST BE FULLY DEPRESSED.
4. To fire subsequent rounds, release



- trigger and pull it again for each shot.
5. Upon interruption of firing, set fire selector on "S" (Safe) position.
  6. Upon completion of firing, unload (clear — see page 21) and set fire selector on "S" (Safe).

## ZEROING

1. The UZI is factory prezeroed at 50 m (55 yds.). Due to individual eyesight variations, actual M.P.I. (Mean Point of Impact) may vary. A Sight Adjustment Key is available.
2. Rear Sight (adjusts windage). To move the impact point of the bullet to the right, rotate the rear sight adjustment screw to the right (clockwise). One click will move the impact point of the bullet to the right 1.7 cm. (0.67") at 25 m (27.5 yds.) (fig. 22).
3. Front Sight (adjusts elevation). To move the impact point of the bullet up, rotate the front sight post to the right (clockwise). One click will move the impact point of the bullet up 1.7 cm. (0.67") at 25 m (27.5 yds.) (fig. 23).



# CARE AND CLEANING

## GENERAL

Comprehensive knowledge of how to service and handle pistols is of great importance. Experience has shown that most failures which occur while operating the pistol are due to negligence in maintenance.

Special attention must be paid to cleaning, lubricating and inspecting the pistol; this will determine whether or not the pistol will function properly when you need it. In order to maintain accuracy, the barrel must be serviced thoroughly. The receiver, the bolt assembly and other moving parts of the pistol must be kept clean and lightly lubricated to ensure proper operation. Care and cleaning includes the magazines, which must be kept free from rust, grit, etc., in order to function properly.

## INITIAL CLEANING

1. Upon receipt of pistol, disassemble (see page 10) and inspect.
2. Clean pistol as per Periodic Maintenance Procedure (see next page).
3. Any heavy or gummy deposits may be removed using very light rust preventive oils such as Breakfree, C.R.C., W.D. 40 or similar. After cleaning, wipe dry and lightly coat with gun oil.
4. Never use abrasive or metallic objects, synthetic cloth, dry cleaning fluids, detergents, acids, lyes, water or steam.
5. Reassemble and ensure proper functioning of pistol and safeties. (see page 22).
6. Observe all safety precautions (see pages 2 and 3).

## PERIODIC MAINTENANCE

1. Disassemble the pistol. (see page 10). Clean all parts as explained below. Remove all foreign matter or dirt using any widely distributed gun oil and gun cleaning equipment made for sporting and hunting firearms.
2. Clean the barrel (bore and chamber): use cleaning rod or pull through with a patch. Continue until patches come out clean. After cleaning, lightly lubricate the bore and chamber with a patch dipped in lubricant to prevent corrosion and pitting.
3. Clean exterior and interior surfaces of all subassemblies to remove dampness, dirt and perspiration. Then wipe all metal surfaces with a lightly oiled patch or rag. Pay particular attention to all parts of the firing mechanism.
4. While cleaning, the following inspection must be carried out:
  - a. Examine the bore and chamber visually and make sure it is free of rust, pitting and metal fouling, and that the barrel has not been damaged.
  - b. Check that all disassembled parts are serviceable and none is missing.
  - c. Grasp receiver by pistol grip with fire selector on "F" (Fire), squeeze trigger slowly, two to three times (safety grip

- fully depressed). Sear should depress and snap back without hangup.
- d. Inspect the firing pin visually to make sure that it is undamaged. It is normal for the firing pin to be loose in the carrier.
  - e. Inspect extractor visually and make sure it is clean and undamaged.
5. Assemble the pistol (see page 10).
  6. After assembly check the following:
    - a. Make sure the chamber is empty.
    - b. With fire selector on "F" (Fire) position, cock and dry fire at least twice to make sure that the mechanism is working smoothly & properly.
    - c. Cock the pistol, move fire selector to "S" (Safe), point barrel in safe direction, squeeze trigger to make sure safety catch is working properly. Return fire selector to "F" (Fire) position and dry fire. Set fire selector to "S" (Safe).
    - d. Check sights and all exterior parts of the pistol to make sure that they are undamaged and serviceable.
  7. It is imperative that magazines be given the best of care and kept in perfect condition. They should be disassembled, cleaned, and lightly oiled. (see page 16). Check magazine lips. They should not be deformed or nicked.

## CLEANING BEFORE FIRING

1. Disassemble the pistol. (see page 10).
2. Run clean patches through bore and chamber to remove all dust and oil. There should be no oil in bore and chamber before firing as this may cause dangerous pressures to develop.
3. Remove excess oil from interior of bolt and bolt face.
4. Check that all moving parts are lightly oiled.
5. Assemble the pistol and check functioning. (see page 22).

## CLEANING AFTER FIRING

1. The pistol should be cleaned not later than the evening of the day on which it was fired to prevent corrosion and caking of deposits.
2. Follow procedures of periodic maintenance and pay particular attention to all parts which have been in contact with powder gases.
  - a. Barrel — In order to remove heavy deposits, use cleaning brush. Make sure the brush goes all the way through the bore before reversing the direction.

Deposits that cannot be readily removed with the brush may be treated by coating bore & chamber with good quality bore cleaning fluid and allowing to soak for at least twelve hours.

After soaking repeat above procedure. The barrel should be cleaned and reoiled at least once on the day after firing.

- b. Firing Mechanism — Remove all powder residues from bolt face

and interior surfaces of bolt. If necessary, use stiff nylon brush or tooth brush. Remove extractor and clean caked deposits at least once every 1000 rounds. (see page 30). Clean and lightly oil all parts of bolt and striker mechanism.

- c. Receiver — Wipe off any heavy deposits in interior and oil lightly.
- d. Magazine — Make sure magazines are clean and follower moves freely.

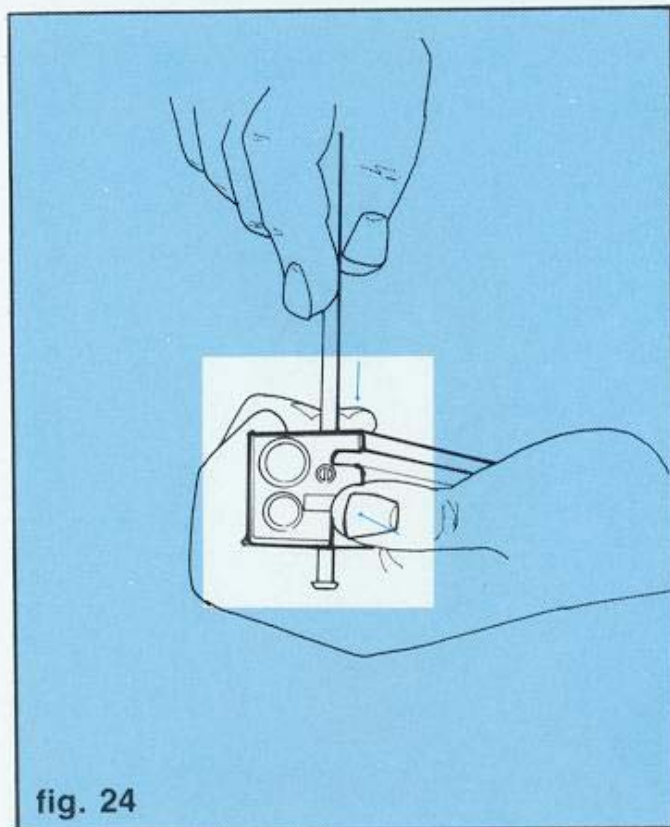
## ADDITIONAL DISASSEMBLY EXTRACTOR

Extractor should be removed for cleaning after the following:

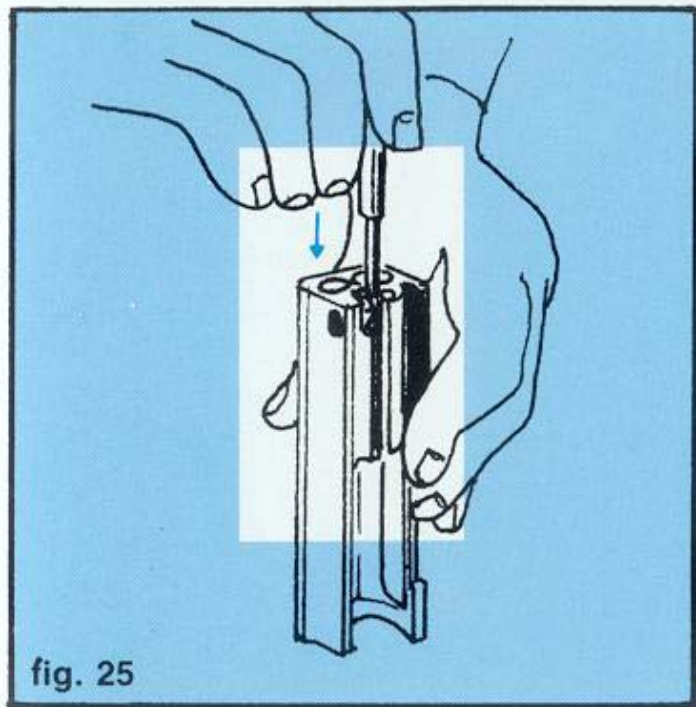
1. Firing a total of 1000 rounds.
2. Exposure to moisture, water or rust-causing environment.

### DISASSEMBLY

1. Using a suitable drift pin (1/8" to 5/32" dia.) push out extractor retaining pin from its shank end, holding finger over blocking latch to keep spring from jumping out (fig. 24), then carefully remove blocking latch and spring.







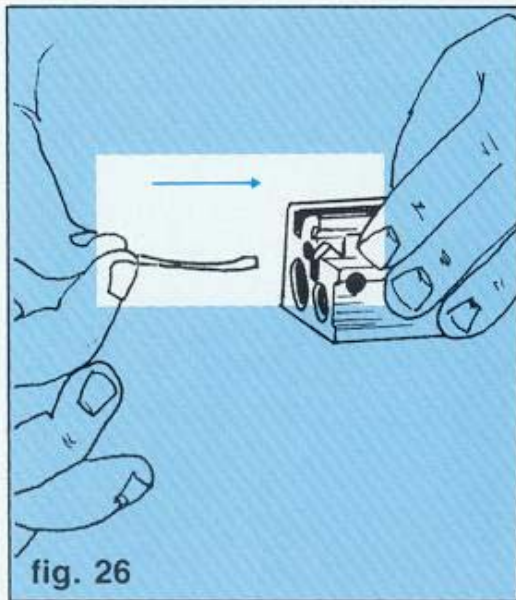
2. Using the retaining pin, push extractor forward and remove from bolt. If extractor is frozen because of excessive carbon deposits, tap forward and out using a suitable drift pin (3/16" to 1/4" dia.) (fig. 25).

### **CLEANING**

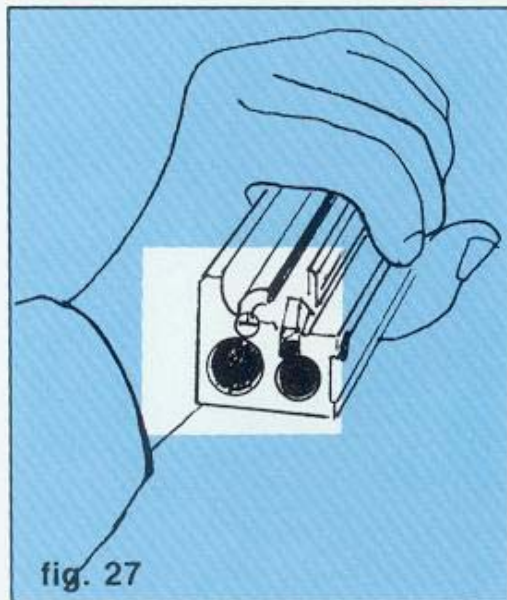
1. Remove all caked deposits from extractor claw. Clean and oil lightly.
2. Using a small diameter brush or patch, clean and lightly lubricate extractor hole. (Any .22 caliber cleaning equipment may be used).

## ASSEMBLY

1. Hold bolt with rear facing you and ejection port to the right.
2. Insert extractor in bolt from the rear with claw forward and slot in thick end up (fig. 26).

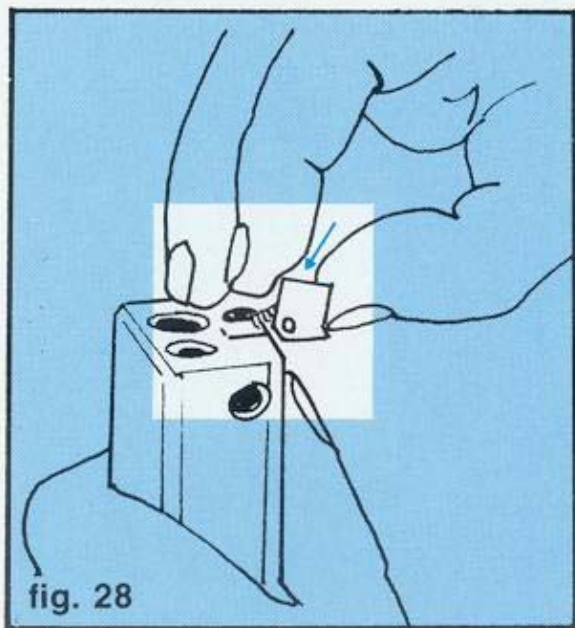


3. Push extractor forward until base is flush with small recess in bolt end. Slot must be parallel to the extractor retaining pin hole (fig. 27).



4. Put blocking latch with spring in place, aligning holes (fig. 28). Hold in place with finger and push extractor

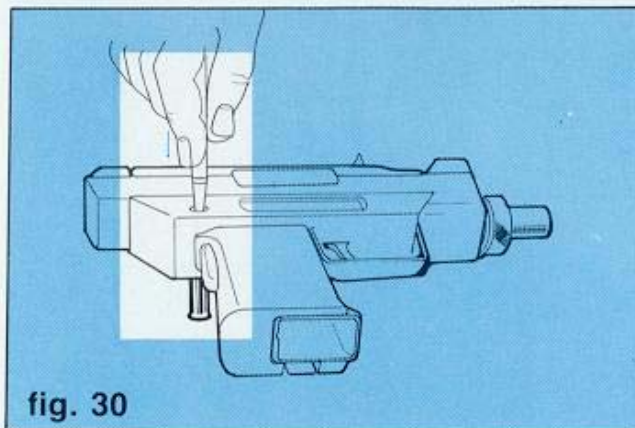
retaining pin in all the way, from the left side (side opposite ejection port) (fig. 29).



## PISTOL GRIP

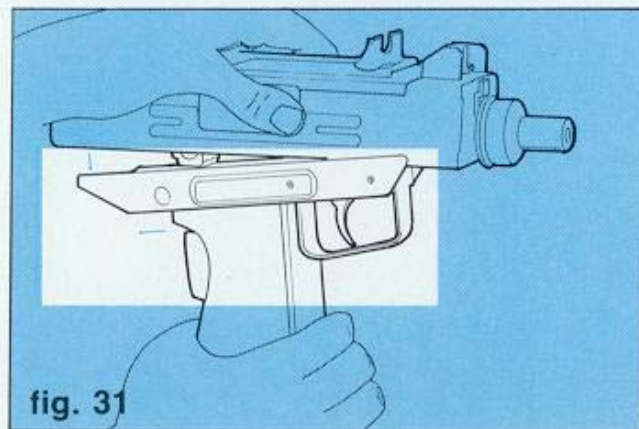
The pistol grip should be disassembled for cleaning and oiling only after any of the following:

1. Firing a total of 5000 rounds.
2. Once a year.
3. Exposure to moisture, water or rust-causing environment.



## DISASSEMBLY

1. Partially push out pistol grip pin with a suitable drift pin (approx. 5/16" dia.). Pin should clear lug on receiver but fall free of the pistol grip. (fig. 30).
2. Remove grip from the receiver. (fig. 31).



## CLEANING AND OILING

1. Remove loose dirt and foreign matter with small parts cleaning brush.
2. Set fire selector on "F" (Fire), squeeze trigger and let sear snap up.
3. Repeat "1"
4. Spray interior generously with Breakfree, C.R.C., W.D. 40 or similar compound while holding upside down.
5. Let excess drain out.
6. Apply gun oil to all pivot points, and moving, or contacting surfaces.
7. Move fire selector back and forth several times to distribute lubricant.
8. With fire selector on "F" (Fire) rotate sears rearward until they snap under disconnecter.
9. Set fire selector on "S" (Safe).

## ASSEMBLY

1. Insert lip in front of pistol grip into recess at bottom receiver. (fig. 32).
2. Press safety grip and bring pistol grip into position on receiver by jiggling slightly. Make sure pistol grip pin hole aligns with hole in lug on receiver.
3. Tap pin into place with a soft hammer or aluminum block.

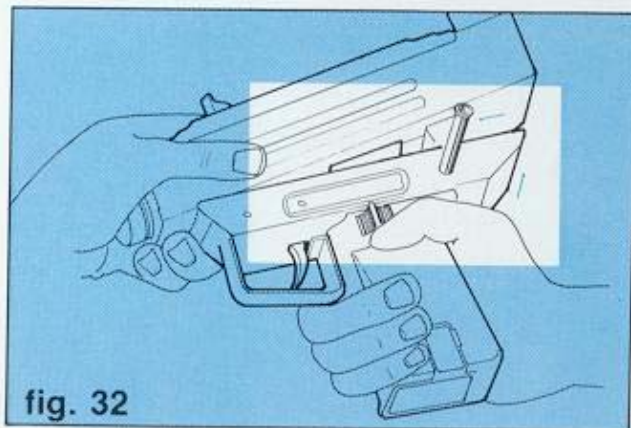


fig. 32

# IMMEDIATE ACTION AND TROUBLE SHOOTING

A failure to fire including one caused by an empty magazine, may often be corrected by taking immediate action.

**WARNING: USE I.M.I. MAGAZINES ONLY.**

## IMMEDIATE ACTION

Remove magazine and wait 3 seconds with barrel pointing in a safe direction, then inspect magazine.

### 1. MAGAZINE EMPTY

Cock to remove possible last round. Inspect chamber and if empty, insert full magazine, recock and continue firing.

### 2. MAGAZINE NOT EMPTY

#### (Malfunction)

- a. Recock to clear possible defective or wrongly positioned round. If a round or case ejects, inspect chamber and if empty, reload and continue firing.
- b. If nothing ejects, fully draw back bolt and check if a cartridge or case is in chamber. If empty, reload and continue firing.
- c. If base of cartridge is visible, allow bolt to snap home and fire in a safe direction. If pistol fires and ejects, reload and continue.
- d. If pistol does not fire, set fire selector on "S" (Safe) and follow trouble shooting procedures for "spent case or round stuck in chamber". (see page 40).

## TROUBLE SHOOTING

### A. FAILURE TO FEED

#### CAUSE

1. Incorrect Cocking
2. Incorrect Magazine
3. Magazine Improperly Seated
4. Magazine Improperly Loaded
5. Dirty Magazine
6. Damaged Magazine
7. Short Recoil
8. Double Feed

— Pistol jams or closes on empty chamber.

#### REMEDY

Clear jam if necessary and recock. Pull bolt all the way back and let it snap home by itself: don't ride the cocking knob!

Replace with I.M.I. factory magazine.

Push magazine home until latch catches.

- a. Seat top cartridge properly
- b. Check that no more than 20 rounds are in magazine
- c. Make sure that not less than 3 rounds were loaded in magazine

Disassemble and clean.

Replace.

Clear jam. Check chamber for cleanliness. Check type of ammunition (may be underpowered). Try other currently commercially manufactured 9mm ammo.

- a. Inspect for stuck case or cartridge (E).
- b. Check extractor and ejector (D).

## B. FAILURE TO CHAMBER

### CAUSE

1. Incorrect Cocking
2. Dirty Chamber
3. Defective Ammunition
4. Very Dirty Pistol
  
5. Defective Return Spring

## C. FAILURE TO FIRE

### CAUSE

1. Bolt not Fully Closed
2. Defective Cartridge
3. Dirty Firing Mechanism  
Defective Firing Pin  
Defective Striker Assembly
4. Barrel Not Properly Seated

—Bolt does not fully close and pistol does not fire.

### REMEDY

Remove magazine. Recock and reload.  
Clean.  
Check for damaged cartridges.  
Check for sluggishness in bolt and firing mechanism. Clean and oil as necessary.  
Check for recurrent sluggishness in operation.  
Check spring assembly for damage. Replace if necessary.

—Striker assembly snaps home but pistol will not fire.

### REMEDY

Follow procedure for incorrect cocking or short recoil (A).  
Inspect primer. If fully indented discard safely. If not fully indented, check firing mechanism.  
Check for sluggishness of operation.  
Clean and replace as necessary.  
Same as above.  
Make sure that the FLATS on the barrel line up with the FLATS on the barrel housing protrusion.  
Tighten barrel retaining nut until clicking noise stops.



**D. FAILURE TO  
EXTRACT OR EJECT**

— The bolt may not fully recoil, the fired case may not eject, or the pistol may jam (spent case left in chamber).

CAUSE

REMEDY

- |   |   |
|---|---|
| 1. Underpowered Ammunition (Short Recoil) | Check ammunition and change to a different brand of currently commercially manufactured 9mm ammunition if problem persists. |
| 2. Dirty or Damaged Chamber               | Inspect, clean, replace barrel if necessary.  |
| 3. Defective Ammunition                   | Check ammunition for damage. Replace if problem persists.   |
| 4. Fouled Extractor                       | Clean Extractor.  |
| 5. Extractor Defective or Missing         | Replace.  |
| 6. Damaged Ejector                        | Replace if necessary.   |

## E. SPENT CASE OR ROUND STUCK IN CHAMBER

**CAUTION:** The following procedure should be carried out only after following the steps in "Immediate Action". (see page 36—2b., c., d.).

1. Remove bolt and striker assembly.
2. With barrel in place, insert cleaning rod through front of barrel. Push or tap gently to remove obstruction.
3. Check chamber and bore. Clean before reassembly.
4. If obstruction cannot be removed, remove barrel and contact authorized service station.

# **WARNING!**

IT IS DANGEROUS TO ALTER OR MODIFY THIS FIREARM IN **ANY** WAY. ANY ALTERATION OR MODIFICATION OF THE FIRING MECHANISM MAY RESULT IN THIS FIREARM BECOMING UNSAFE. ANY ATTEMPT TO ALTER OR MODIFY THIS FIREARM IS ILLEGAL AND WILL NULLIFY ALL WARRANTIES AND WILL BE SUBJECT TO IMMEDIATE NOTIFICATION OF APPROPRIATE FEDERAL LAW ENFORCEMENT AGENCIES.



UZI 9mm  
SEMI-AUTOMATIC PISTOL

UZI 9mm  
SEMI-AUTOMATIC CARBINE  
MODEL B



**ISRAEL MILITARY INDUSTRIES**

P.O.B. 1044, Ramat Hasharon 47100, ISRAEL



---

**action arms ltd.**

P.O. BOX 9573 - PHILADELPHIA, PA 19124 U.S.A. TEL: (215) 744-0100

---