

INSTRUCTION MANUAL

ATTENTION
Do not use the gun before
reading this guide

MODELS

KANUNI 16

KANUNI S

ZIGANA M16

DOUBLE ACTION PISTOLS



INTRODUCTION:

TİSAS Trabzon Gun Industry Corp. is one of the leading pistol manufacturer in Turkey. Our company manufactures pistol confirming the AQAP 120 and ISO 9001-2000 regulations.

This manual will guides you in using safely, assembling/disassembling and cleaning and maintaining the pistol.

Please refer to TİSAS for further questions

TİSAŞ

WARNING:

TİSAS Trabzon Gun Industry Corp. is not responsible of the disobeying the usage regulations, the careless usage, the modification of the parts and/or internal safeties without permission, causing a damage because of non-standard, defective, inappropriate ammunition, the physical deformation caused by wrong usage and maintenance of the owner. TİSAS is also not responsible of the acts, that are not directly related to TİSAS, of the owner, like physical injury, damaging personal and property right and the similar situations.

SAFETY RULES

- ⚠️ Weapon is not dangerous. The cause of the danger is ignorance and carelessness. For protection against the accidents, please obey the rules below.
- ⚠️ Accidents are always the result of disobeying main rules of gun safety.
- ⚠️ Those who use the gun are responsible for the accidents that may occur.
- ⚠️ Always treat firearms as if they are loaded. For the safety of the gun, the safety pin must be on the position "Safety". Release the magazine and take out the cartridge in the barrel as pulling the cover back.
- ⚠️ Never allow the muzzle to point anything that you are not willing to see destroyed.
- ⚠️ Learn the safety mechanisms and unloading the gun safely.
- ⚠️ Always keep your finger off the trigger until ready to shoot.
- ⚠️ Aim the gun to a safe direction when reloading and unloading it.
- ⚠️ Always keep the gun unloaded until ready to use.
- ⚠️ Use only the proper ammunition.
- ⚠️ Do not shoot at hard surfaces and water.
- ⚠️ Never use alcohol or over-the-counter, prescription or other drugs before or while shooting.
- ⚠️ Wear eye and ear protection as appropriate.
- ⚠️ Be sure that you are using a clean gun, regularly upkeep your gun.
- ⚠️ Always secure your firearm so that they are not accessible to children, other unauthorized and untrained persons.
- ⚠️ Although you are sure that your gun is empty, point the muzzle away from alive objects and non-targets.



SECTION 1 LOADING THE PISTOL

RELEASING THE MAGAZINE

Hold the pistol with your right hand, to remove the magazine press the magazine release button with your thumb. (Pic-1)



Picture: 1

LOADING THE MAGAZINE

Hold the magazine with your left hand and with the other one insert the cartridges one at a time, pressing them down to the rear, continue inserting 15 cartridges. Insert the magazine into the pistol until its held by the magazine catch. (Pic-2)



Picture: 2

ATTENTION: Always make sure that the muzzle is pointed in a safe direction while loading and unloading!

SETTING THE MAGAZINE

Hold the pistol with your hand, keeping away your finger from the trigger. Insert the magazine into the pistol until its held by the magazine catch and it clicks. (Pic-3)



Picture: 3

COCKING THE PISTOL

Hold the pistol with your right hand, pull back the slide to the end point with your left hand and release it. When the slide takes the first position with the help of the recoil spring. The slide will take a cartridge from the magazine. The pistol is cocked and ready to fire. (Pic-4)



Picture: 4

SECTION 2 SHOOTING

ATTENTION: You're carrying a pistol loaded and ready to fire. Keep your finger off the trigger until you are actually aiming at the target ready to shoot.

If you're new in using a firearm, you should seek a supervised instruction by an instructor in a shooting range.

1- After wearing eye and ear protection, turn to the target with your loaded pistol.

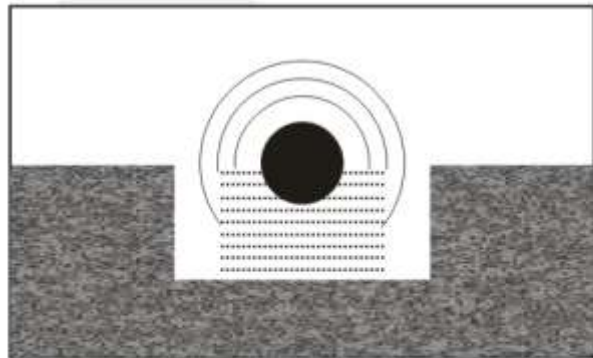
2- Keep your feet 30-45cm apart to take

3- Raise your arm (see pic-5) and line up with the target. Aim the gun and pull the trigger.

4- With each pull of the trigger, one shot will occur.

5- If you want stop shooting, decock and unload your pistol confirming the general rules.

ATTENTION: Always keep your finger off the trigger until ready to shoot.



Picture: 5

ATTENTION: Always make sure that the chamber is empty before adjusting the sights

TRIGGER BLOCK SAFETY

To place the safety position, push the lever down so that it covers the red dot. The trigger can not be moved rearward when you lock the sear. As a result, the hammer is also blocked.(Pic-6)



Picture: 6

FIRING PIN SAFETY

Firing pin safety is only disengaged when the trigger is pulled. If, after a fall, the hammer was released, then the firing pin would not be activated.(Pic-7)



Picture: 7

ATTENTION: Always make sure that the muzzle is pointed in a safe direction, keep away your fingers from the trigger.

UNLOADING THE MAGAZINE

1- Hold the pistol with your right hand and press the magazine release button with your thumb. Release the magazine with the other hand.(Pic-8)



Picture: 8

2-After releasing the magazine you should control the chamber. Retract the slide to its rearmost position. Clear the chamber if still remains cartridge. Always check the chamber and the interior area of the receiver and the magazine-well to be certain there are no cartridges present. (Pic-9)



Picture: 9

Important! Please make sure the chamber is empty before disassembling the pistol

SECTION 3 DISASSEMBLING THE PISTOL

RELEASING THE MAGAZINE

1-Hold the pistol with your right hand, to remove the magazine press the magazine release button with your thumb. Release the magazine.(Pic-10)



Picture: 10

2- After removing the magazine, visually check whether a cartridge is in the chamber or not. Make sure the gun is pointed in a safe direction.(Pic-11)



Picture: 11

ATTENTION: Always keep your finger off the trigger until ready to shoot.

DISASSEMBLING THE SLIDE

3- Hold the pistol with your right hand. Push the slide assembly back lightly with your left hand when the safety spring is ON. Slide stop is turned down 90 degrees by the right forefinger of the left hand. (Pic-12)



Picture: 12

4- Pull the slide assembly forward and off the receiver. (Pic-13)



Picture: 13

DISASSEMBLING THE BARREL

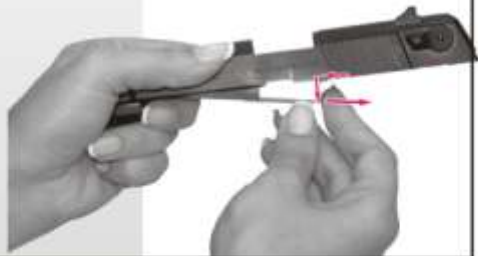
5- Hold the slide at the top with your left hand. Retract the recoil spring and guide then remove the recoil spring and guide as a whole. (Pic-14)

ATTENTION: The recoil spring is under tension! During removal use care to control the recoil spring and/or recoil spring tube.)



Picture: 14

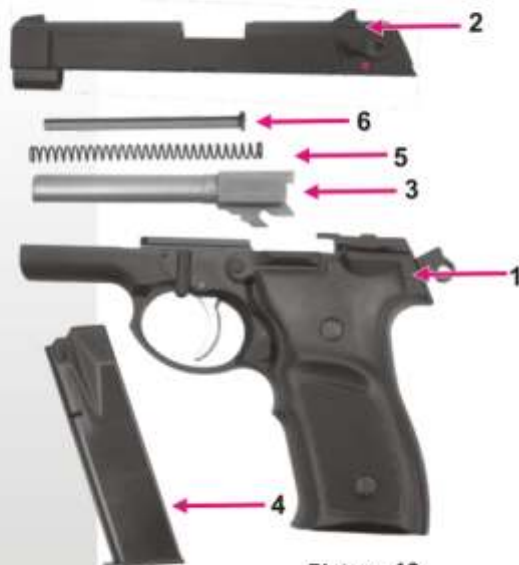
6- Remove the barrel from the slide. (Pic-15)



Picture: 15

ATTENTION: Please contact a gunsmith for assembling/disassembling other parts.

DISASSEMBLING THE PARTS FOR CLEANING AND UPKEEPING



Picture: 16

- 1- Receiver assembly
- 2- Slide assembly
- 3- Barrel
- 4- Magazine
- 5- Recoil spring
- 6- Recoil spring guide

SECTION 4 CARE

CLEANING AND MAINTENANCE

For the reliable functioning and durability of the pistol, after each shooting or whenever the pistol has been exposed to humidity, dust or other adverse conditions, make its upkeeping once a month following the proceedings below. Requirements for upkeeping: brush, oil, cleaning rod, cloth. (Pic-17)



Picture: 17

CARE

- 1-Disassemble the pistol. (Section 3)
- 2-Using an oiled brush, scrub inside of the slide and chambers. (Pic-18)



Picture: 18

ATTENTION: Granuled solvents in cleaning can damage the gun's bluing and finish.

3- Swab the interior of the slide with the cloth to remove the excess accumulations of oil.

4- With the oiled brush, run through the barrel several times. (Pic-19)

5- Wipe dry inside of the barrel with the cleaning rod and cloth. (Pic-20)



Picture: 19

6- Check all parts cleaned or not, if still remains dirt, repeat the steps. (Pic-19)

7- Wipe all parts and surfaces with a cloth that is lightly oiled.

8- Before firing remove all oil from the barrel with cleaning rod and cloth. (Pic-20)



Picture: 20

ATTENTION: Never use alcohol or over-the-counter, prescription or other drugs before or while shooting.

REASSEMBLING THE GUN

To reassemble the pistol, simply reverse the same procedures. You should pay attention to the items mentioned below.

1- The barrel is placed in the slide assembly. (see Pic-15) Install the recoil spring tube and recoil spring.(see Pic-14)

2- Place the slide, as safety latch is ON, on the receiver. (See Pic-21)

3- After placing the slide, turn the slide stop 90 degrees counterclockwise.

4-The pistol is set after inserting the magazine. (See Pic-3)

5- Make sure that the pistol is in safety position. (See Pic-6)



Picture: 21

SECTION 5 TECHNICAL SPECIFICATIONS

	ZIGANA M16	KANUNI 16	KANUNI S
Caliber	9x19 mm.	9x19 mm.	9x19 mm.
Magazine Capacity	15	15	15
Safety System	Pin Safety, Hammer Safety, Safety Latch	Pin Safety, Hammer Safety, Safety Latch	Pin Safety, Hammer Safety, Safety Latch
Operating System	Single Recoil System, Semi - Automatic	Single Recoil System, Semi - Automatic	Single Recoil System, Semi - Automatic
Aim Order	Stable Square Front Sight, Half "U" Rear Sight	Stable Square Front Sight, Half "U" Rear Sight	Stable Square Front Sight, Half "U" Rear Sight
Weight (Empty magazine)	940 gr.	880 gr.	860 gr.
Length	214 mm.	192 mm.	191 mm.
Height	140 mm.	140 mm.	140 mm.
Width	37 mm.	37 mm.	34 mm.
Barrel Length	126 mm.	110 mm.	110 mm.

TİSAŞ has the security and Production License from Ministry of National Defence since 1998 and the manufacturing system at TİSAŞ confirms the requirements of the AQAP 120 and ISO 9001-2000 Quality Systems.

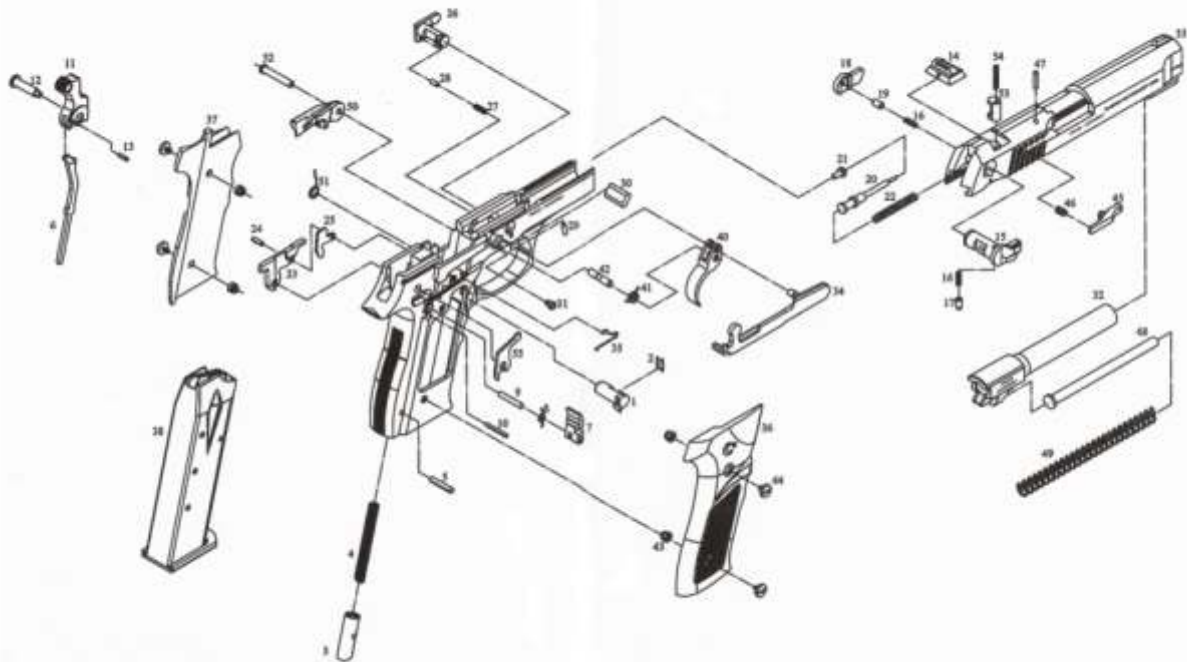


We're proud of our pistols used by the Turkish Armed Forces.

PARTS LIST

No.	DESCRIPTION	CAT. NO.		
1	MAGAZINE CATCH LOCK	TK1. 01	28	LOCK SAFETY CATCH TK1. 28.02
2	MAGAZINE CATCH LOCK SPRING	TK1. 01.01	29	LOCK PIN TK1. 28.03
3	HAMMER SPRING CUP	TK1. 02	30	BARREL SUPPORT TK1. 30
4	HAMMER SPRING	TK16. 02.01	31	SUPPORT SCREW TK1. 30.01
5	HAMMER SPRING CUP PIN	TK1. 02.02	32	BARREL TK1. 31
6	HAMMER ROD	TK1. 02.03	33	SLIDE TK1. 32
7	HAMMER CATCH	TK1. 10	34	TRIGGER BAR TK1. 33
8	HAMMER CATCH SPRING	TK1. 10.01	35	TRIGGER BAR SPRING TK1. 33.01
9	HAMMER CATCH PIN	TK1. 10.02	36	RIGHT GRIP COVER TK1. 35
10	HAMMER CATCH SPRING PIN	TK1. 10.04	37	LEFT GRIP COVER TK1. 35.a
11	HAMMER	TK1. 11	38	MAGAZINE TK1. 36
12	HAMMER PIN	TK1. 11.01	39	FRAME TK1. 40
13	HAMMER SPRING CUP PIN	TK1. 11.02	40	TRIGGER TK1. 42
14	REAR SIGHT	TK1. 16	41	TRIGGER SPRING TK1. 42.01
15	RIGHT SAFETY LATCH	TK1. 18	42	TRIGGER PIN TK1. 42.03
16	RIGHT AND LAFT SAFETY PLUNGER SPRING	TK1. 18.01	43	GRIP SCREW NUT TK1. 43
17	RIGHT SAFETY PLUNGER	TK1. 18.02	44	GRIP SCREW TK1. 43.a
18	LEFT SAFETY LATCH	TK1. 18.a	45	EXTRACTOR TK1. 47
19	LEFT SAFETY DETENT PLUNGER	TK1. 18.a.01	46	EXTRACTOR SPRING TK1. 47.01
20	PIN	TK1. 21	47	EXTRACTOR PIN TK1. 42.02
21	SMALL PIN	TK1. 21.a	48	RECOIL SPRING GUIDE TK1. 55
22	PIN SPRING	TK1. 21.01	49	RECOIL SPRING TK1. 55.01
23	EJECTOR	TK1. 24	50	SLIDE CATCH TK1. 56
24	EJECTOR PIN	TK1. 24.01	51	SLIDE CATCH SPRING TK1. 56.01
25	HAMMER DROP CATCH	TK1. 25	52	SLIDE CATCH PIN TK1. 56.02
26	BARREL LOCKING CATCH	TK1. 28	53	PIN SAFETY BLOCK TK1. 67
27	LOCK SPRING	TK1. 28.01	54	PIN SAFETY BLOCK SPRING TK1. 67.01
			55	PIN SAFETY BLOCK LATCH TK1. 70

EXPLODED VIEW OF



PROBLEMS ON FIRING

Malfunctions or defects at firing of the firearms are caused by wrong maintenance, damaged magazine or wrong type of ammunition.

PROBLEMS	POSSIBLE REASONS	SOLUTION SUGGESTION
Firearm is not firing	Hammer does not work	Be sure that the safety latch is on
	Hammer works but not fire, broken firing pin	Take the firearm to a gunsmith
	Dirty sledge surface	Unload the firearm and clean it
	Wrong type of cartridge	Eject the cartridge by pulling the slide back, continue to fire with the next cartridge
Feeding problem	Insufficient cocking	Repeat the operation by pulling the slide back
	Insufficient spring pressure	Push the magazine until it's held by the magazine catch or take the firearm to a gunsmith
	Deformed magazine lip	Change the magazine
	Deformed magazine spring Deformed carrier spring	Change the magazine Change the carrier spring
Ejection failures	Failure in extracting jammed at the cover	Remove the magazine from the firearm. Pull the slide back, remove the jammed cartridge with a wooden tool and clean the chamber. If the problem repeats again, take the firearm to a gunsmith
	Broken extractor	Take the firearm to a gunsmith
	Wrong type of or damaged ammunition	Change the ammunition
	Deformed or broken extractor spring Deformed or broken ejector	Take the firearm to a gunsmith Take the firearm to a gunsmith

GUARANTEE CONDITIONS

- 1-) The guarantee continues one year and started from the delivery of the gun.**
- 2-) If there is a failure with the gun in the guarantee period; contact the authorized service by the seller.**
- 3-) If there is a failure with the gun by the material, workmanship or assembling faults in the guarantee period; the gun is repaired as soon as possible.**
- 4-) Failures caused by the usage faults are not in the guarantee range. The usage faults are determined by the experts of our company.**
- 5-) For more information contact us.**



TİSAŞ TRABZON SİLAH SANAYİ A.Ş.

FACTORY
ORGANİZE SANAYİ BÖLGESİ
61900 ARSİN - TRABZON - TÜRKİYE
Phone: +90 462 711 10 80
Fax: +90 462 711 17 87

DEPARTMENT:
DE-GOL CAD. 13/1
TANDOĞAN- ANKARA - TÜRKİYE
Phone : +90 312 213 75 09
Fax: +90 312 213 78 06
+90 312 213 85 70

Web : www.trabzonsilah.com
E-mail: sales@trabzonsilah.com



AQAP 120

