

1 ALWAYS USE THE SAFETY



OFF SAFE

The safety is "off safe" when you can see the red dot and the safety lever is pointing forward



ON SAFE

To put the pistol "ON SAFE" push the safety lever up so it covers the red dot.

The safety can be operated with the hammer cocked or not cocked and with the pistol loaded or unloaded. There is not a magazine safety, so the pistol may be fired with the magazine removed.

All guns can be dangerous if improperly used. Keep the pistol "on safe" all the time, except at the actual moment of firing, to help protect against accidental firing and possible injury or death of yourself or others.

Your safety DOES DO two things:

- It locks the sear lever so the trigger cannot be pulled and the hammer cannot fall.
- It locks the slide so it cannot be opened until the safety is moved to the "OFF SAFE"

But your safety DOES NOT:

- Take the place of safe gun handling.
- Lessen your duty to use the pistol with great care.
- Provide foolproof protection against firing.

There is also an automatic internal firing pin block which stops the firing pin from traveling forward. The block is released only by pulling the trigger all the way to the rear, as in firing a shot.

LOWERING THE HAMMER

EXTREME CAUTION REQUIRED! Both the manual safety and the automatic internal firing pin block are "OFF SAFE" when you do this.

THE PISTOL CAN FIRE IF YOU DO IT WRONG.

Point the pistol in a safe direction. Move the manual safety to "OFF SAFE". Grasp the hammer very firmly and put a finger between the hammer and firing pin. Then pull the trigger and slowly let the hammer move forward past the half-cock point.

RELEASE THE TRIGGER. Then gently let the hammer down against the rear of the slide. PUT THE MANUAL SAFETY "ON SAFE"

2

HOW TO LOAD AND FIRE

Press the magazine release button and remove the magazine from the pistol

Load up to 15 cartridges into the magazine

Push the magazine up into the pistol firmly until the magazine catch locks it in place



TO LOAD THE CHAMBER

BE SURE YOUR FINGER IS OUT OF THE TRIGGER GUARD AND OFF THE TRIGGER.

Holding the pistol grip, grasp the serrations on the slide and pull the slide rearward until it cannot travel any further. Release the slide and allow it to go forward into the closed position. It will automatically take a cartridge from the magazine and load it into the chamber



WARNING!

**YOUR PISTOL IS LOADED AND READY TO FIRE
PUSH THE SAFETY UP TO "ON SAFE" IMMEDIATELY (SEE PAGE 1 DIAGRAM)**

To fire put the safety down (exposing the "red dot") and squeeze the trigger. The pistol will fire (1) one shot with every squeeze of the trigger until the magazine is empty. When the magazine is empty the slide will stay open. You may remove the magazine and reload it while the slide is open. Insert the loaded magazine into the pistol. Then press down on the slide stop, which lets the slide close and reloads the chamber, or pull back slightly on the slide and let it go and the pistol will automatically reload the chamber and be ready to fire.

Choose your **target** carefully. Be sure there is a safe backstop.

THINK! What will you **HIT** if you **MISS** the target?

AMMUNITION

Because of the dangers of poor or nonexistent quality control standards among some companies and people who make reloaded ammunition, and the well known fact that dangerous overloads and underloads (squib loads) sometimes occur, we recommend that only good quality factory ammunition be fired in our products. If you prepare your own handloads do not exceed recommended pressures in line with those generated by standard factory loads as manufactured by Remington, Winchester, Rio, Federal, PMC or other reputable companies.

3

HOW TO UNLOAD

BE SURE THE SAFETY IS "ON SAFE"

Press the magazine release button and remove the magazine from the pistol. Simply removing the magazine does not unload the chamber. If a cartridge is in the chamber the pistol can fire even with the magazine removed.

To unload the chamber point the pistol in a safe direction, keep your finger **OUT** of the trigger guard and **OFF THE TRIGGER**, and move the safety to **"OFF SAFE"**. THE PISTOL CAN NOW **FIRE** IF YOU PULL THE TRIGGER. **BE VERY CAREFUL!** When you grip the pistol for the next step, be sure your finger is not inside the trigger guard.

Pull the slide to the rear to remove any cartridge that may be in the chamber.

Always check the chamber to be sure the pistol is completely unloaded.

The magazine may be unloaded by pressing the cartridges forward and out with your thumb.

4

DISASSEMBLY and CLEANING

Remove the magazine and clear the chamber to be sure the pistol is empty.

SLIDE STOP/ TAKEDOWN LEVER



TAKEDOWN MARKS



- Field stripping takes **NO TOOLS**. **DO NOT** pry or hammer on the pistol.
- Pull the hammer back to the full cock position.
- Identify the (2) two takedown marks behind the safety on the left side of the slide and frame. Pull the slide back slightly to line up the (2) two marks.
- **(HINT: Use the rear sight for handy leverage when lining up the marks.)**
- Remove the slide stop-takedown lever by pushing on the end sticking out of the right side of the pistol, and pulling on the lever with your other hand.
- Slide the barrel/slide assembly forward and off the receiver.
- Hold the slide upside down, retract the recoil spring and remove the recoil spring and guide.
- Remove the barrel from the slide.
- **NO FURTHER DISASSEMBLY** of the pistol is recommended, unless preformed by a qualified gunsmith. Remember that work done by others and unauthorized gunsmithing by non-factory personnel will void the warranty.
- To reassemble simply reverse this procedure.

SPECIFICATIONS:

CALIBER: 9mm [.41 AE available]

BARREL: 4.50 inches

LENGHT: 8.12 inches

WEIGHT: 35 ounces

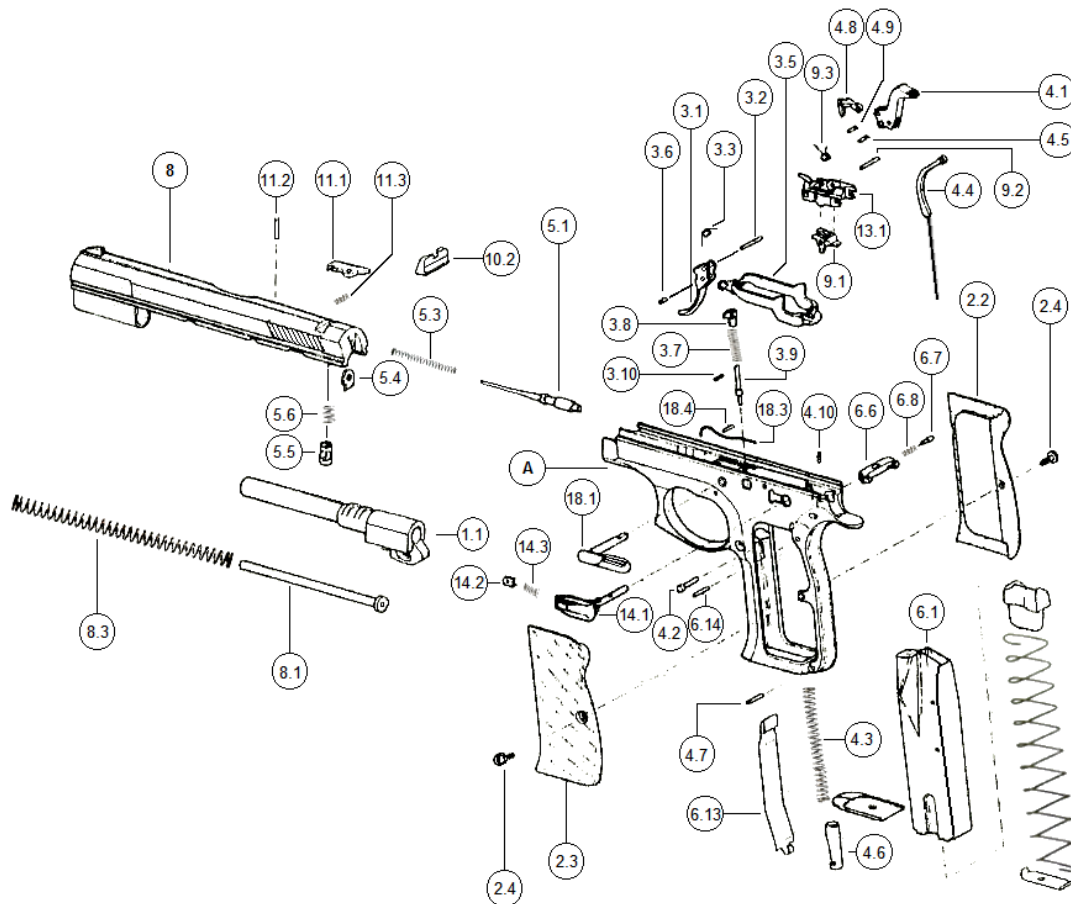
HEIGHT: 5.50 inches

MAGAZINE: 15 shots, double colum

TRIGGER: single and double action

STEEL: blued and nickel steel available

SAFETY: Colt type for "cocked and locked" carry or hammer down double-action carry.



PARTS CODIFICATION FOR TZ-75 SERIES 88

- | | |
|------------------------------|---|
| 1.1 BARREL | 6.1 MAGAZINE |
| 2.2 RIGHT GRIP | 6.6 MAGAZINE CATCH |
| 2.3 LEFT GRIP | 6.7 MAGAZINE CATCH PLUNGER |
| 2.4 GRIP SCREWS | 6.8 MAGAZINE CATCH SPRING |
| | 6.13 MAGAZINE SECURITY SPRING PLATE |
| | 6.14 MAGAZINE SECURITY SPRING PLATE PIN |
| 3.1 TRIGGER | 8.1 RECOIL SPRING GUIDE |
| 3.2 TRIGGER PIN | 8.3 RECOIL SPRING |
| 3.3 TRIGGER SPRING | |
| 3.5 TRIGGER BAR | 9.1 SEAR |
| 3.6 TRIGGER BAR PIN | 9.2 SEAR PIN |
| 3.7 TRIGGER BAR SPRING | 9.3 SEAR SPRING |
| 3.8 TRIGGER BAR GUIDE | |
| 3.9 TRIGGER BAR PLUNGER | 10.2 REAR SIGHT |
| 3.10 TRIGGER BAR PLUNGER PIN | |
| 4.1 HAMMER | 11.1 EXTRACTOR |
| 4.2 HAMMER PIN | 11.2 EXTRACTOR PIN |
| 4.3 HAMMER SPRING | 11.3 EXTRACTOR SPRING |
| 4.4 HAMMER STRUT | |
| 4.5 HAMMER STRUT PIN | 13.1 SEAR ASSEMBLY HOUSING WITH EJECTOR |
| 4.6 HAMMER SPRING CUP | |
| 4.7 HAMMER SPRING CUP PIN | 14.1 SAFETY |
| 4.8 INTERRUPTOR | 14.2 SAFETY RETAINER PLATE |
| 4.9 INTERRUPTOR PIN | 14.3 SAFETY SPRING |
| 4.10 HAMMER PIN PIN | |
| 5.1 FIRING PIN | 18.1 SLIDE STOP PIN |
| 5.3 FIRING PIN SPRING | 18.3 SLIDE STOP PIN SPRING |
| 5.4 FIRING PIN RETAINER PIN | 18.4 SLIDE STOP PIN SPRING PIN |
| 5.5 FIRING PIN SAFETY | |
| 5.6 FIRING PIN SAFETY SPRING | |

Frame and slide are not available. Parts and service for all Models are available from F.I.E. CORP. - P.O. Box 4866 - Hialeah Lakes, Hialeah, Florida 33014.

WARNING

This gun was manufactured to preform properly with the original parts as designed. It is your duty to make sure any parts you buy are installed correctly and that neither replacements nor originals are altered or changed. Your gun is a complex tool with many parts that must relate correctly to other parts. Putting a gun together wrong or with modified parts can result in a damaged gun, danger, and injury or death to you and others through malfunction, Always let a qualified gunsmith work on your gun or at least check any work not preformed by a gunsmith.

We at FIE think this is a small price to pay for firearms safety.

WARNINGS

READ THIS and BE a SAFE SHOOTER

Always keep the muzzle pointed in a safe direction.

Never point a gun at any person or thing you don't intend to shoot.

Treat every gun as if it is loaded at all times.

Get instructions from a competent firearms instructor before using any gun.

Never rely on a gun's "safety" to protect you from unsafe gun handling.

A safety is only a mechanical device not a substitute for common sense.

Keep your finger OFF THE TRIGGER until you are actually aiming at a target ready to shoot.

Don't alter or modify your gun, and have guns serviced regularly.

Be certain the gun is unloaded before cleaning.

Always empty guns before entering a house, car, truck, boat, RV, camp or any building.

Never leave a loaded gun unattended.

Store guns and ammunition separately BEYOND THE REACH OF CHILDREN.

Don't "test the safety" by pulling the trigger while the safety is on.

Be sure of your target and backdrop before you shoot.

Ask yourself what your bullet will hit if it misses the target.

Be sure the barrell is clear of obstruction before shooting.

Guns and alcohol or drugs don't mix.

Don't take them before or during shooting activities.

Never pull a gun towards you by the muzzle.

Don't climb a tree or cross a fence or ditch with a loaded gun.

Load and unload with the muzzle pointed in a safe direction.

If a gun fails to fire when the trigger is pulled, keep it pointed at a target for at least 30 seconds.

Sometimes slow primer ignition will cause a "hang fire" and the cartridge will go off after a short pause.

Never shoot at hard flat surfaces or water, bullets will ricochet.

When receiving a gun always open the action and check that it's unloaded.

Never put your hand over the muzzle of a gun.

WARNINGS

READ THIS and BE a SAFE SHOOTER

Never leave a gun where it can fall and fire

Always wear protective shooting glasses when shooting on the range in a field or in the forest.

Old or reloaded ammunition may be dangerous.

We recommend against using it.

Spectators should be 10 feet behind and away from the shooter while loading, firing and unloading.

Wear hearing protection when shooting, or at a shooting range, or near shooting activities.

Load the gun only when on the range preparing to fire, and unload it before leaving the range.

Never carry any handgun in your pocket, purse or tucked in a belt or waistband.

Use a pistol case or proper holster with a safety flap or strap.

Don't try to change your gun's trigger pull, because alterations of trigger pull usually affect sear engagement and may cause accidental firing.

If you drop your gun, unload it and check it for proper function before using it again.

Always wear fluorescent orange vest, hat or jacket when in the woods or field.

Never let water, snow, mud or other material enter the barrel.

Firearms should be unloaded when not actually in use.

Many ammunition identifications sound similar.

Make sure you DO NOT use the wrong size ammunition in your gun.

Write to us concerning any items or circumstances which you don't understand and relate to your safety and the operation of any of our products.

WARNING

ANY BORE OBSTRUCTION, EVEN IF IT IS ONLY PARTLY BLOCKED, MAY CAUSE THE GUN TO BLOW UP IF IT IS FIRED, OR MAY CAUSE DAMAGE TO THE GUN SUCH AS A BULGED BARREL. TO AVOID INJURY OR DEATH TO THE SHOOTER OR BYSTANDERS, CHECK THE BARREL BEFORE SHOOTING OR IF A SHOT DOES NOT SOUND NORMAL.

ONE YEAR LIMITED WARRANTY

All FIE guns are warranted to the original retail customer for one year from the date of purchase against defects in material and workmanship. All parts and labor or replacement (at our option) are covered.

Transportation to and from our repair facilities, damage caused by failure to perform normal maintenance, sales outside the United States, damage due to use of high velocity, high pressure, reloaded or nonstandard ammunition, or any unauthorized repair, modification, misuse, abuse or alteration of the product is not covered by this Limited Warranty.

Any implied warranties, including the implied warranties of merchantability and fitness for a particular purpose, are limited to one year from date of original retail purchase.

Consequential or incidental damages or expenses, or any other expenses are not covered by this warranty.

To obtain warranty performance send your product with proof of retail purchase, freight prepaid, to: FIE Corporation, 4541 N.W. 133rd Street, Opa-Locka, Florida 33054.

HOME SAFETY IS PROBABLY YOUR BIGGEST CONCERN.

Hoppe's Gun Guardian is a good inexpensive gun lock kit. It works on any firearm (rifle, pistol or shotgun) or airgun, yet is instantly removable by an adult.

Hoppe's Gun Guardian kits are available in gun shops and sporting goods departments, or Hoppe's, Airport Industrial Mall, Coatesville, PA. 19320.

F.I.E. has tested them and we recommend them.

After all you have invested this much in your new gun.

Now invest a little more in your children's safety.

USED FIREARMS

If you got your F.I.E. firearm as a used gun, BEFORE USING IT you should unload it and check all its functions to be sure it works correctly.

Firearms are sometimes altered to work incorrectly, or parts may be removed, lost or replaced with incorrect parts.

First unload it and check it yourself and then:

1. Take it to a good gunsmith who knows about this model of F.I.E. firearm, and have him check it over, or
 2. Send it to F.I.E. along with \$30.00 and your name and address, and our gunsmiths will inspect it and send it back to you with a report on its condition.
- This service is also available if you have an older F.I.E. product, or if you think your F.I.E. gun has been dropped, damaged or just needs to be checked.

F.I.E. Service Dept., 4541 N.W. 133rd St., Opa-Locka, FL. 33054

YOUR OWNER'S MANUAL

This manual contains important warnings which must be understood BEFORE using this firearm.

Always keep it with this firearm.

When you lend, give or sell the firearm, be sure the manual goes with it.

You can get a copy of this manual from FIE on request.

5/88