

INSTRUCTION & SAFETY MANUAL

# MODEL MEGASTAR

CALIBER 10 MM.

READ CAREFULLY BEFORE USING  
YOUR FIREARM



## 10 COMMANDMENTS OF FIREARMS SAFETY

---

- 1 ALWAYS** treat every gun as if it were loaded.
- 2 ALWAYS** be sure the barrel is clear of any obstruction.
- 3 ALWAYS** be sure of your backstop, what lies beyond and the safety of bystanders before you shoot.
- 4 ALWAYS** use clean, dry, original factory-made ammunition of the proper type and caliber for your gun.
- 5 ALWAYS** wear shooting glasses and ear protection when shooting.
- 6 ALWAYS** carry your gun so that you can control the direction of the muzzle if you fall or stumble.
- 7 ALWAYS** leave the safety on until you intend to fire.
- 8 NEVER** leave an unattended gun loaded. Guns and ammunition should be stored separately, locked if possible, beyond the reach of children and careless adults.
- 9 NEVER** allow your firearm to be used by anyone who has not read this Instruction and Safety Manual.
- 10 NEVER, NEVER... EVER...** point any gun, loaded or unloaded, at anything you do not intend to shoot.

## TECHNICAL DESCRIPTION

### OPERATING

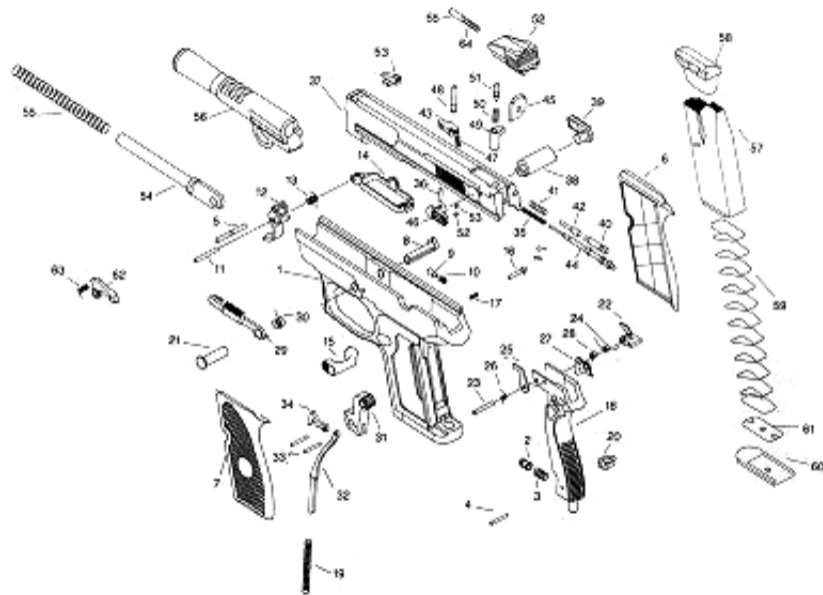
Operating principle.....	Semi-automatic with short recoil of barrel.
Firing mechanism.....	Self-cocking with selective Double Action
Caliber.....	10 mm.

### DIMENSIONS AND WEIGHT

Overall length.....	212 mm. = 8.34 in
Height.....	149 mm. = 5.82 in
Width.....	36 mm. = 1.41 in
Barrel length.....	116 mm. = 4.56 in
Sighting line.....	170 mm. = 6.69 in
Front sight width.....	3.5 mm. = .137 in
Rear sight notch width.....	3.7 mm. = .145 in
Weight of pistol with empty magazine.....	1.400 grs. = 51.37 oz
Magazine capacity.....	14 rounds

## MEGASTAR 10 PARTS LIST

1	Frame	23	Sear and ejector pin	45	Firing pin retainer
2	Backstrap retaining plunger	24	Sear spring	46	Thumb safety wing, left
3	Backstrap retaining plunger spring	25	Ejector	47	Extractor spring
4	Backstrap retaining plunger pin	26	Ejector spring	48	Extractor pin
5	Trigger and magazine safety pin	27	Sear pusher	49	Firing pin safety
6	Grip, right	28	Sear pusher spring	50	Firing pin safety spring
7	Grip, left	29	Slide stop	51	Firing pin safety pin
8	Barrel pin	30	Slide stop spring	52	Rear sight
9	Slide stop plunger	31	Hammer	53	Front sight
10	Slide stop plunger spring	32	Hammer spring	54	Recoil spring guide
11	Sear bar pin	33	Hammer pins	55	Recoil spring
12	Trigger	34	Hammer axis	56	Barrel
13	Trigger spring	35	Firing pin spring	57	Magazine tube
14	Trigger bar	36	Thumb safety plunger	58	Magazine follower
15	Magazine catch	37	Slide	59	Magazine follower spring
16	Magazine catch lock	38	Side safety roller	60	Magazine floor plate
17	Magazine catch spring	39	Thumb safety wing, right	61	Magazine floor plate catch
18	Backstrap	40	Thumb safety retaining plunger	62	Magazine safety
19	Hammer spring	41	Thumb safety spring	63	Magazine safety spring
20	Hammer spring support	42	Thumb safety positioning plunger	64	Rear sight pin spring
21	Hammer pivot pin	43	Extractor	65	Rear sight pin
22	Sear	44	Firing pin		



## OPERATING AND DISASSEMBLY INSTRUCTIONS FOR STAR MOD. MEGASTAR 10 PISTOL IN CALIBER 10 MM.



### BASIC SAFETY PRECAUTIONS

Always treat the pistol as if it were loaded.

Whenever first picking up the pistol, or before handing it to anyone else, carefully check to determine whether it is loaded. Inspect both the magazine and the chamber.

Never point the pistol -even if it is unloaded- at anything you do not wish to shoot.

Whenever handling the pistol, always keep the safety "ON" and your finger away from the trigger until you are ready to fire. Put the safety "ON" immediately after you cease firing, and leave it "ON" while transporting or storing the pistol.

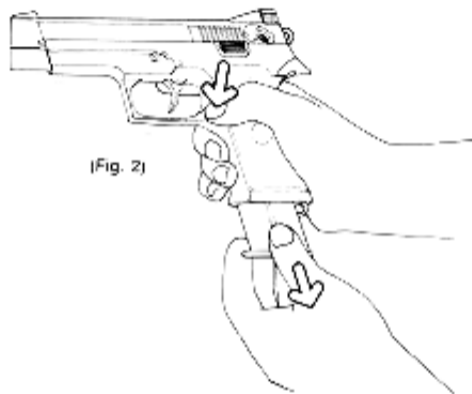
Always keep the muzzle pointed in a safe direction until you are ready to fire. Do not allow any part of your body to get in front of the muzzle.

### TO OPERATE THE THUMB SAFETY / DECOCKING LEVER

The manual safety is ambidextrous, and consists of two interconnected thumb levers, one on each side of the slide. The safety is "ON" (i.e., in the Safe position) when either lever is pushed downward to cover the red indicator dot on the left side of the slide and expose the white indicator dot. The safety is "OFF" (i.e., in the Fire position) when either lever is pushed up so that the white dot is covered and the red dot is exposed. Always point the muzzle in a safe direction when operating the safety lever.

Rotation of either lever to the "ON" position retracts the firing pin into the slide where it cannot be reached by the hammer. It also mechanically immobilizes the firing pin in the retracted position.

The manual safety also functions as a selective decocking lever, allowing the shooter to lower the hammer from its full-cock position without pressing the trigger and with the safety "ON". To use the decocking feature, keep the muzzle pointed in a safe direction and push either safety lever "ON". Continue pressing the lever downward further until the hammer snaps down to the uncocked position. The safety is "ON" throughout, preventing the pistol from firing. When the lever is released, it automatically returns to the "ON" position.



#### TO REMOVE THE MAGAZINE

With the safety "ON" and the muzzle pointed in a safe direction, depress the magazine catch button on the frame behind the trigger guard and withdraw the magazine. When the magazine is removed the trigger is disconnected from the firing mechanism and the pistol cannot be fired by pulling the trigger. When the magazine is again inserted the trigger is reconnected to permit firing.

## SAFETY PRECAUTIONS

Here follow a few safety warnings which we strongly recommend you read and comprehend thoroughly before making first use of your firearm:

### AMMUNITION

**1** Use only high quality, original factory-manufactured ammunition. Do not use cartridges which are dirty, wet, corroded, bent, or damaged. Do not oil cartridges. Do not spray aerosol-type lubricants, preservatives, or cleaners directly onto cartridges or where excess spray may flow into contact with cartridges. Lubricant or other foreign matter on cartridges can cause potentially dangerous ammunition malfunctions. Use only ammunition of the caliber for which your pistol is chambered. The proper caliber is permanently engraved on your pistol. Never attempt to use ammunition of any other caliber.

**2** The use of reloaded, 'remanufactured', hand-loaded, or other nonstandard ammunition voids all warranties. Reloading is a science and improperly loaded ammunition can be extremely dangerous. Severe damage to the firearm and serious injury to the shooter or to others may result. Always use ammunition that complies with the industry performance standards established by the Sporting

Arms and Ammunition Manufacturers' Institute, Inc. (SAAMI) of the United States.

**3** If there is any reason to suspect that a bullet is obstructing the barrel, immediately unload the firearm and look through the bore. It is not sufficient to merely retract the slide and look in the chamber. A bullet may be lodged some distance down the barrel where it cannot easily be seen. If a bullet is in the bore, do not attempt to shoot it out with another cartridge, or attempt to blow it out with a blank cartridge from which the bullet has been removed. Such techniques can generate excessive pressure, wreck the firearm, and cause serious personal injury. If the bullet can be removed with a cleaning rod, clean any unburned powder grains from the bore, chamber, and mechanism before resuming shooting. If the bullet cannot be dislodged by tapping it with a cleaning rod, take the firearm to a gunsmith.

## USE OF THE SAFETY

---

- 1** Risk of an accident is greatly increased when any pistol, no matter how safely designed, is carried with a cartridge in the chamber. This practice is not recommended and may be justified only in circumstances of clear and present danger, when the pistol may immediately have to be used in self-defense. By far the safest procedure when carrying a loaded pistol is to leave the chamber empty.
- 2** If you must carry the pistol with a cartridge in the chamber, always use the thumb safety/de-cocking lever to lower the hammer to the uncocked position. Leave the safety "on" until you are ready to shoot and the pistol is pointed at the target!
- 3** Always keep your finger off the trigger and point the muzzle in a safe direction when turning the safety lever "on" or "off"!
- 4** When applying the safety, be certain to move it fully into position. A red warning dot is located beside the safety; when the safety is fully "on", the red dot should be completely covered. Remember, "half-safe" is **not** safe.

## LOADING AND UNLOADING

---

- 1** Always keep the muzzle pointed in a safe direction.
- 2** Never attempt to load or unload any firearm inside a vehicle, building, or other confined space other than a properly constructed shooting range. Enclosed areas frequently offer no completely safe direction in which to point the firearm; if an accidental discharge occurs, there is great risk of injury or property damage.
- 3** Before loading, always clean all grease and oil from the bore and chamber, and check to be certain that no obstruction is in the barrel. Any foreign matter in the barrel could result in a "bulged" or burst barrel or other damage to the firearm, and could cause serious injury to the shooter or to others.
- 4** Remember to unload the chamber after removing the magazine!
- 5** Never assume any gun is empty until you have checked it personally!
- 6** Always point the muzzle in a safe direction when manually operating the slide to load the first cartridge from the magazine into the chamber. Malfunctions which allow the pistol to fire without the trigger being pulled when the slide snaps closed are rare but **CAN** happen. Always grip the slide so that your fingers, hand, elbow, and other parts of your body are **BEHIND** the pistol.

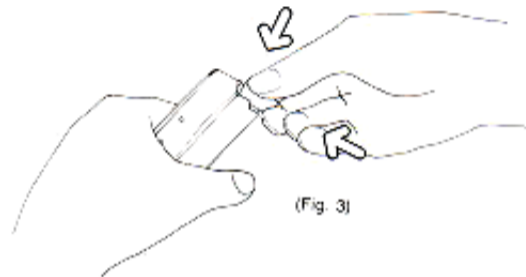
## AIMING

---

- 1** Never point any firearm —loaded or unloaded— at anything you do not intend to shoot. Keep the muzzle pointed in a safe direction and keep your finger off the trigger until you are ready to fire.
- 2** Always make certain that your backstop is adequate to stop and contain your bullets. Remember, your bullet can carry for more than one mile. Never shoot at hard surfaces like rock or water; the bullet could ricochet and travel in any direction to strike you or a person or object you cannot see, causing serious injury or property damage.

## FIRING

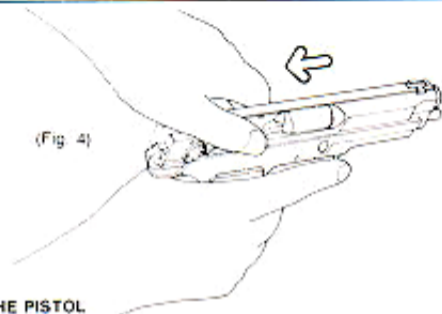
- 1** Never carry about or leave unattended any firearm which is cocked and ready to fire! Accidental firing could result if you fall or drop the firearm, or if the firearm is struck or disturbed by someone or something.
- 2** Never fire any pistol with your finger, hand, face, or other part of your body over or adjacent to the ejection port, or in any position where you may be struck by the reciprocating movement of the slide. Failure to heed this warning could result in bodily injury. Both the movement of the slide and the ejection of empty cartridge cases are part of the normal operating cycle of a pistol and pose no safety hazard to the shooter if the pistol is held in a normal grip and fired at arm's length, as intended by its design.
- 3** Never allow other persons to stand beside you where they might be struck by an ejected cartridge case. The case is hot and may be ejected with sufficient force to cause a burn or a cut or injure an unprotected eye. Make certain there is a clear, unobstructed path for safe ejection of the fired case. Remember, the case may bounce off a hard object nearby and strike you or another person.
- 4** While shooting, should your firearm develop a mechanical malfunction or binding, 'spits' powder gas, or if a cartridge primer is punctured, a cartridge case is bulged or ruptured, or if the report on firing does not sound quite right, **STOP SHOOTING IMMEDIATELY!** It may be dangerous to continue. **UNLOAD THE FIREARM — DO NOT TRY 'JUST ONE MORE SHOT'!** Take the firearm and the ammunition to a gunsmith for examination.
- 5** Do not assume that the pistol is empty merely because the slide remains open. A cartridge jammed between the slide and the barrel can also prevent the slide from closing. Always look in the chamber to make sure!
- 6** If a jam occurs, clear it as follows. While keeping the muzzle pointed in a safe direction remove the magazine. Pull back the slide and lock it to the rear by pushing up the slide release. The jammed cartridge or case can now be removed by shaking it out or by picking it out with your fingers.



### TO LOAD THE MAGAZINE

Load the magazine by inserting each cartridge in two motions: first **DOWN** to compress the magazine spring, then **REARWARD** to slide the cartridge under the magazine lips. The magazine will hold up to 12 cartridges. Holes in the right side of the magazine allow visual confirmation of the number of cartridges inserted. To empty the magazine, push (do not pull) each cartridge forward until it is no longer held by the magazine lips.

**CAUTION:** take care not to bend, distort or pry the magazine lips when loading cartridges. Press down the column of cartridges until the top cartridge can be moved smoothly under the lips. **DO NOT USE EXCESSIVE FORCE;** damaged magazine lips will cause malfunctions.



#### TO LOAD AND FIRE THE PISTOL

Hold the pistol in a shooting grip with the muzzle pointed in a safe direction or at the target. Put the safety "ON". Insert the magazine into the pistol until it is held by the magazine catch. Grasp the serrated surfaces of the slide between thumb and index finger and pull the slide rearwards as far as it will go, then release it smartly. The compressed recoil spring will snap the slide closed, stripping the topmost cartridge from the magazine and loading into the barrel chamber. (Do not "ride" the slide forward with your hand; impeding the slide's movement may cause a loading jam.)

The pistol is now loaded, hammer cocked and safety "ON". The pistol is ready to fire as soon as the thumb safety is pushed to "OFF" (red indicator dot exposed). If you do not intend to immediately commence firing, decock the hammer. Use either safety lever, not the trigger, for this purpose.

This pistol features two trigger function modes: single-action and double-action. Double-action provides a capability of carrying the loaded pistol safely with the hammer uncocked, yet ready for instant firing simply by pushing the safety "OFF" and pulling the trigger. (If, after de-cocking the shooter desires to fire the first shot single-action, the hammer must first be manually recocked with the thumb.)

#### A) Single-action mode

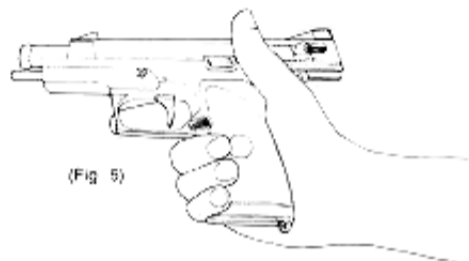
The hammer is cocked. Push the safety "OFF". Take aim and lightly squeeze the trigger. The trigger operates in two stages: it first disengages a trigger-actuated firing pin block to permit forward travel of the firing pin. It then releases the hammer, causing it to fall and strike the firing pin. The firing pin is driven forward to indent the cartridge primer and fire the pistol.

#### B) Double-action mode

The hammer is uncocked. Push the safety "OFF". Take aim and pull the trigger firmly through the full stroke of its travel. In a single motion this will cock the hammer, disengage the firing pin block and then release the hammer to fire the pistol.

After the first shot has been fired from either mode, the hammer will be automatically recocked by the recoil of the slide and all subsequent shots will be fired in single-action mode unless the shooter voluntarily decocks the hammer.





#### **FURTHER HANDLING OF THE PISTOL**

When the last shot in the magazine has been fired, the slide will remain open. To resume firing while keeping the pistol pointed at the target or in a safe direction, insert another loaded magazine and pull down the slide stop lever. The slide will snap closed, chambering the first cartridge. The pistol will once again be loaded, hammer cocked, and ready to fire.

Do not turn away from the target without putting the safety "ON". If firing is discontinued while the pistol is still loaded, keep the muzzle pointed at the target or in a safe direction. Push the safety "ON". First remove the magazine, then pull back the slide smartly to eject the cartridge remaining in the chamber. Visually inspect the chamber to be sure it is empty and unload the magazine.

#### **TO DISASSEMBLE THE PISTOL FOR CLEANING**

Put the thumb safety "ON" and make sure the firearm is unloaded. Remove the magazine. Move the slide slowly backwards while gently depressing the left side of the barrel pin; this will eventually slide all the way from left to right by pulling out its head from the right or by pushing from the left. The slide-barrel assembly can then be removed by sliding forward and out of the frame.

The recoil spring assembly is removed from the slide by slightly compressing the spring and pulling the recoil guide head from between the barrel cams; the barrel can now be removed by pulling it a little forward and then back and out of the slide.

**NO FURTHER DISMOUNTING IS NECESSARY TO PROPERLY CLEAN THE PISTOL.**

