



SEMI-AUTOMATIC PISTOL
MODEL M-43 FIRESTAR

CAL. 9 mm. (9 x 19)

PRESENTATION

With this model, STAR introduces the smallest self-defense pistol in caliber 9 mm Parabellum among those industrially produced on the World market to this date.

As a pocket pistol has it no equal. In a package size comparable to almost any pistol in caliber 7,65 mm (.32 auto), it offers the powerful caliber 9x19 mm (Parabellum), adopted by the Armed Forces of most countries throughout the world.

Much flatter than revolvers, it can load in its standard magazine 7 rounds (8 rds. in that provided with an extension), and can be carried with much more comfort and discretion than the bulky police-type revolvers, replacing them with great advantage in spite of their considerably shortened barrel lengths.

Special care has been taken in its safety system. Fitted with two locks, one of them performs conventionally as a hammer lock, while the other blocks the firing pin permanently until the trigger is squeezed all the way through. This characteristic offers reassuring safety conditions for transport. A drop or blow, causing the hammer to slip off from its sear, etc. will not produce an accident and furthermore the hammer is also provided with a half-cock safety notch which is capable of stopping by itself the forward motion of the hammer preventing it from striking the firing pin.

Finally, the pistol is also provided with a magazine safety fitted in the magazine well which prevents the firing of the gun when the magazine is withdrawn.

As it is customary on our latest models, the slide guide rails have been machined on the outside of the frame to the full length of the latter.

This characteristic, in conjunction with the ringed adjustment of the muzzle end inside the slide, is a guarantee of a perfect alignment of the barrel and a consequent improved accuracy of fire.

Despite its small size, the configuration given to the pistol allows for a grip of a fair length, thus offering a comfortable gripping. Care has also been taken to ensure an excellent protection of the shooting hand, preventing the risk of the hammer biting the web of the hand.

The control buttons are ample and at an easy reach.

Due to its ambidextrous thumb safety and the alternative magazine catch button supplied on request, the pistol can be operated by either right- or left-handed shooters.

Summing up, we have the satisfaction to propose a modern firearm, compact, powerful, long casting, safe and reliable, which we do not doubt will give good long-lasting service to Law Enforcement Agencies, as well as to the vast majority of users of self-defense weapons.



TECHNICAL DATA

OPERATION

Operating principle	Semi-automatic. With short recoil of barrel
Locking system	Ribs on top of barrel engaging recesses in ceiling of slide when breech-block face of slide strikes barrel on its forward movement and pushes it ahead and up on its oval-shaped pivoting hole in barrel lug.
Firing mechanism	Single action.

SAFETIES

a) Manual ambidextrous safety	This safety locks both slide and hammer when the hammer is in its uncocked position and only the hammer when this is cocked.
b) Automatic safeties	<p>Firing pin safety which keeps the firing pin blocked until the trigger is pulled all the way through.</p> <p>Half-cock safety notch on hammer to prevent it from striking firing pin when hammer is manually cocked and thumb could slip.</p> <p>Magazine safety disengaging trigger bar from sear when magazine is removed.</p> <p>Locking safety preventing firing of the pistol until the barrel and slide are in their fully closed firing position.</p>

BALLISTICS

Caliber	9 x 19 mm. (Parabellum).
Initial velocity (Vo)	340 m.p.s.
Muzzle energy (Eo)	45 Kp.
Test pressure at chamber, max. (C.I.P. Norm).....	More than 48,064 p.s.i. = 3.380 bar.
Effective range	164 ft. = 50 m.
Penetration in pine boards at 50 m.	3.94 ins. = 10 cm.

TRIGGER PULL

Trigger travel measured from center of trigger	0.117 ins. = 3 mm.
Trigger pull	7.36 lbs. = 3.500 grs.

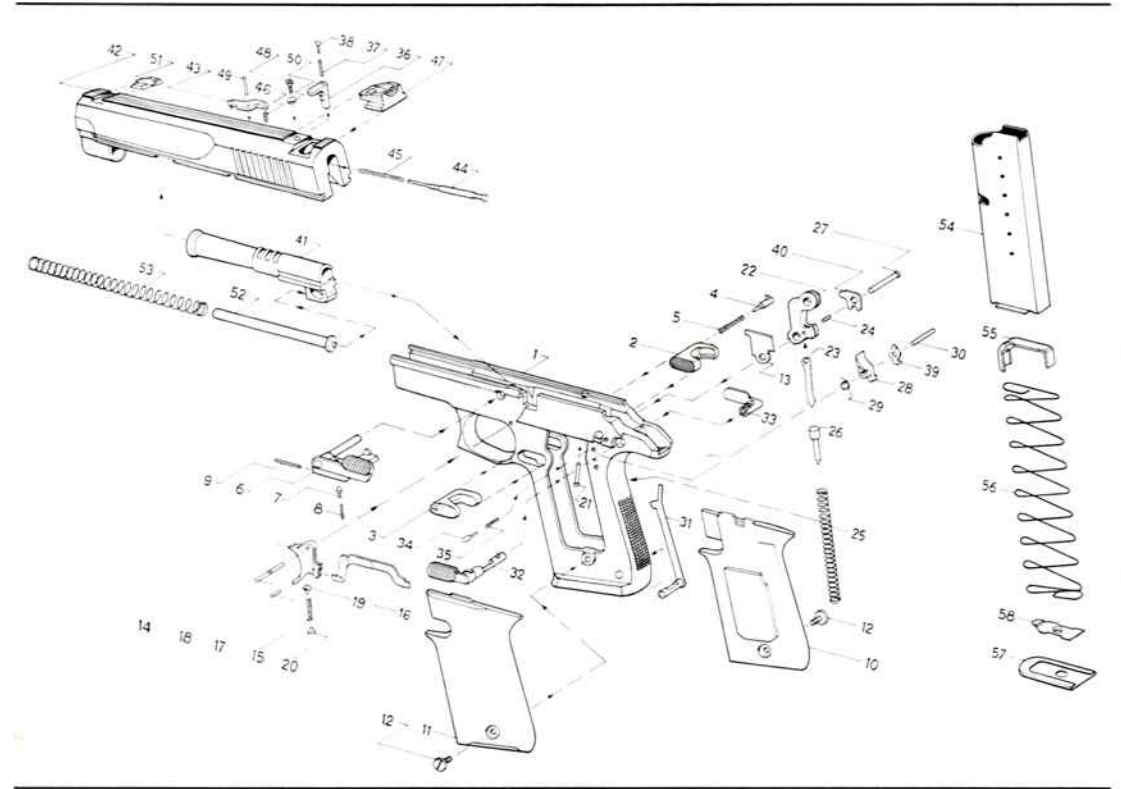
DIMENSIONS AND WEIGHT OF PISTOL

Overall length	6.50 ins. = 165 mm.
Overall height	4.61 ins. = 117 mm.
Width of grip	1.10 ins. = 28 mm.
Length of barrel	3.39 ins. = 86 mm.
Length of sighting line	5.12 ins. = 130 mm.
Rear sight notch width	0.14 ins. = 3.50 mm.
Front sight width	0.13 ins. = 3.25 mm.
Weight of pistol with empty magazine	1.88 lbs. = 855 grs.
Magazine capacity (standard)	7 rounds.
Magazine capacity (with extended length)	8 rounds.

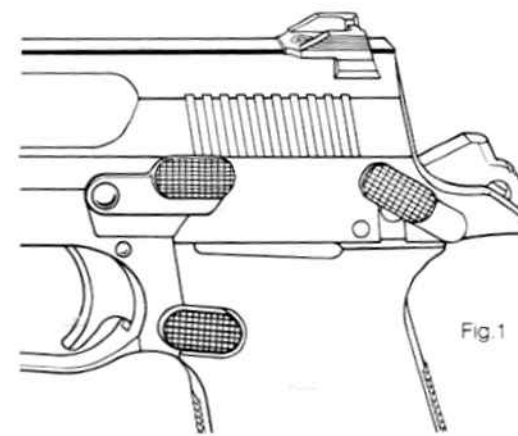
LIST OF COMPONENTS

CODE NUMBER	EXPLOSIVE NUMBER	DESCRIPTION
343101010	1	Frame
343108010	2	Magazine catch body, right.
343113010	3	Magazine catch body, left.
343108020	4	Magazine catch lock.
329108030	5	Magazine catch spring.
343111000	6	Slide stop.
328108020	7	Slide stop plunger.
343108030	8	Slide stop plunger spring.
343111050	9	Slide stop plunger retaining pin.
343101180	10	Grip, right.
343101190	11	Grip, left.
343101140	12	Grip screws.
343105000	13	Ejector.
343107010	14	Trigger body.
343107020	15	Trigger spring.
343107040	16	Trigger bar.
343107050	17	Trigger bar pin.
343101090	18	Trigger axis.
343107060	19	Trigger axis clip.
343107030	20	Trigger plunger.
343101150	21	Interruptor.
343106010	22	Hammer body.
343106020	23	Hammer bar.
343106030	24	Hammer bar axis.
343101020	25	Hammer spring.
333201020	26	Hammer spring plunger.
343101040	27	Hammer axis.
343101050	28	Sear.
343101080	29	Sear spring.
343101070	30	Sear axis.

CODE NUMBER	EXPLOSIVE NUMBER	DESCRIPTION
343110000	31	Magazine safety.
343101160	32	Thumb safety.
343114010	33	Thumb safety wing.
343101100	34	Thumb safety plunger.
343101110	35	Thumb safety plunger spring.
343102120	36	Firing pin safety.
343102130	37	Firing pin safety spring.
343102150	38	Firing pin safety spring plunger.
343101060	39	Sear pusher.
343101120	40	Firing pin safety pusher.
343104010	41	Barrel.
343112010	42	Slide.
343102020	43	Extractor.
343102050	44	Firing pin.
343102060	45	Firing pin spring.
343102040	46	Extractor spring.
343102080	47	Rear sight.
343102090	48	Rear sight screw.
343102030	49	Extractor axis.
343102160	50	Rear sight screw washer.
343102140	51	Front sight.
343103010	52	Recoil spring guide.
343103020	53	Recoil spring.
901023010	54	Magazine tube.
901023020	55	Magazine follower.
901023030	56	Magazine follower spring.
901023040	57	Magazine floor plate.
901023050	58	Magazine floor plate catch.
915043010	59	Magazine extension.
915043020	60	Magazine extension retainer.



OPERATING AND DISASSEMBLY INSTRUCTIONS
FOR THE "STAR" MOD. 43 CAL. 9 MM
PARABELLUM PISTOL



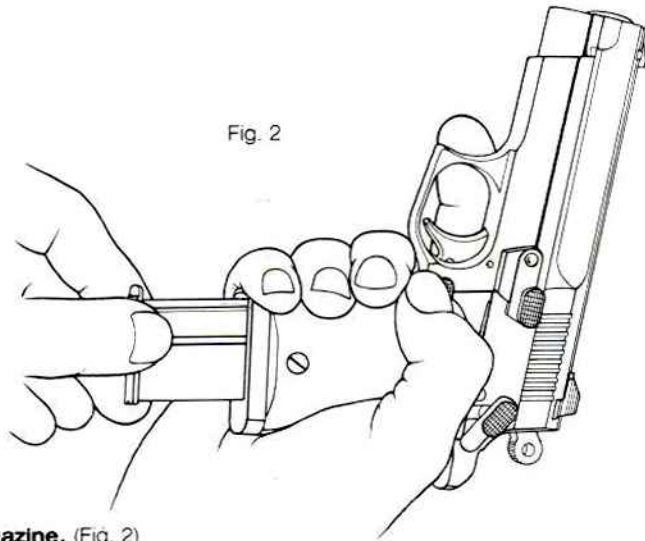
To put thumb safety in ON position. (Fig. 1)

Push up either of the two thumb safety wings located on both left and right rear sides of the slide until the red warning dots on both upper rear sides of the slide are concealed.

With the hammer uncocked both the hammer and slide will be locked.

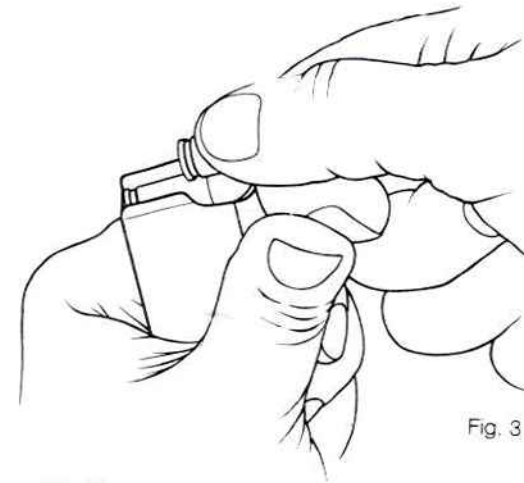
If the pistol is with the hammer in cocked position, as shown on the figure, only the hammer will be locked, with the possibility of drawing back the slide to check whether there is a cartridge left in the chamber. Thus, the pistol can be safely handled.

As a general safety measure and from the beginning, **ALWAYS HANDLE THE PISTOL AS IF IT WERE LOADED AND HOLD IT AIMED IN A SAFE DIRECTION.**



To remove the magazine. (Fig. 2)

With the safety in On position (red dots concealed), depress with the thumb the magazine catch button located on the left side of the frame, just back of the trigger guard, and withdraw the magazine from its housing in the grip. With the magazine removed, the pistol is now double safe because of the action of the magazine safety which disengages the trigger bar from the sear. Once the magazine is again inserted, it will push the magazine safety upwards to free the trigger bar and permit its engagement with the sear.



To load the magazine. (Fig. 3)

Holding the magazine in the left hand, take a cartridge grasping it between the thumb and index finger of the right hand, place the cartridge head on the front end of the magazine follower and push it slightly down until it can be slid in under the lips of the magazine wall. Another cartridge is then placed on top of the first one and forced down and slid in. This procedure is followed until the magazine contains whatever cartridges are to be fired. The holes on the right side of the magazine permit checking of the number of cartridges loaded.

When inserting the cartridges, take care not to force them against the magazine lips in order to prevent damage to the latter, which would cause a malfunction of the pistol. Always insert them gently under the lips of the magazine wall.

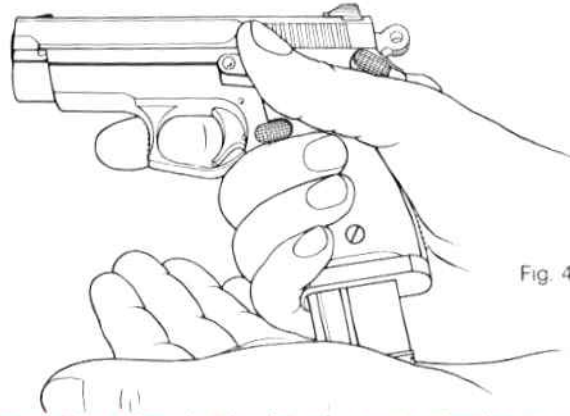


Fig. 4

To load the pistol. (Fig. 4)

With the hammer in uncocked position and the thumb safety wings concealing the red warning dots (this will keep you safe from inadvertently chambering a cartridge), hold the pistol in the shooting hand and with the free hand insert the loaded magazine in its housing in the grip, until it is held in place by the magazine catch.

If you want to chamber the first cartridge, put the thumb safety wings in OFF (firing) position, taking care to keep the index finger away from the trigger, as shown in the figure, and grasping the slide between thumb and index finger of the weak hand at the serrations, pull it fully back and allow the slide to snap forward forced by the recoil spring. The slide will in its forward motion extract the first cartridge from between the magazine lips and chamber it.

The pistol is now loaded, cocked and ready to fire.

CAUTION

Take into account that you have now in your hands a loaded and cocked pistol, with the thumb safety in firing condition, ready to be fired by pulling the trigger. Thus, take care to keep from this time your fingers away from the trigger and if you are not going to shoot, put the thumb safety in ON position concealing the red warning dots, as this is the only way to harmlessly handle the pistol.

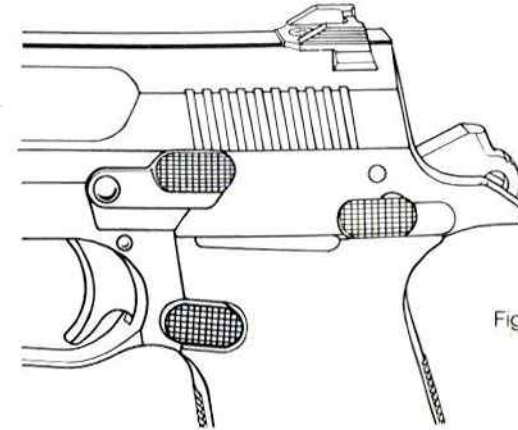


Fig. 5

To fire the pistol. (Fig. 5)

With a cartridge already chambered, thumb safety in OFF (firing) position (red warning dots visible) and the hammer cocked, as shown in the figure, firmly hold the pistol in firing position and squeeze the trigger. The discharge of the fired cartridge forces the slide backwards, extracting the fired cartridge case and cocking the hammer. The subsequent forward movement of the slide, under the pressure of the recoil spring, strips another cartridge from between the magazine lips into the chamber. The pistol is then ready to fire again. This is repeated as rapidly as the trigger is pulled, until the magazine is empty.

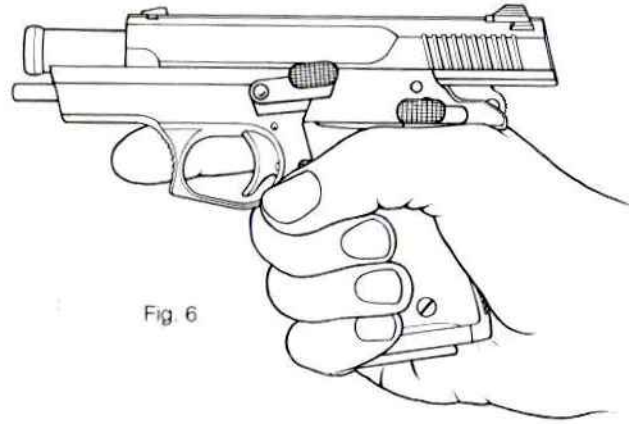


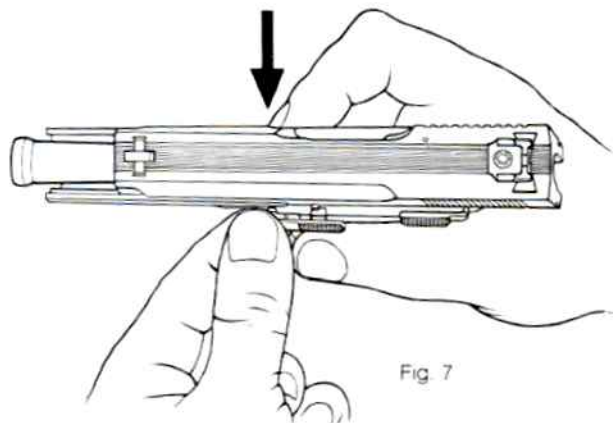
Fig. 6

Last shot. (Fig. 6)

When the last round in the magazine has been fired, the magazine follower, freed from the pressure of the cartridges, pushes upwards against the inside of the slide stop. The slide stop moves then upward and engages in a notch in the slide (see Fig. 6), thus holding the slide open, serving as an indicator that the emptied magazine must be replaced with a loaded one.

If the firing should be resumed, remove the emptied magazine and replace it with a loaded one. Release the slide by pressing upon the thumb piece of the slide stop and the return movement of the slide under the influence of the recoil spring will force a cartridge into the chamber leaving the pistol again ready for firing.

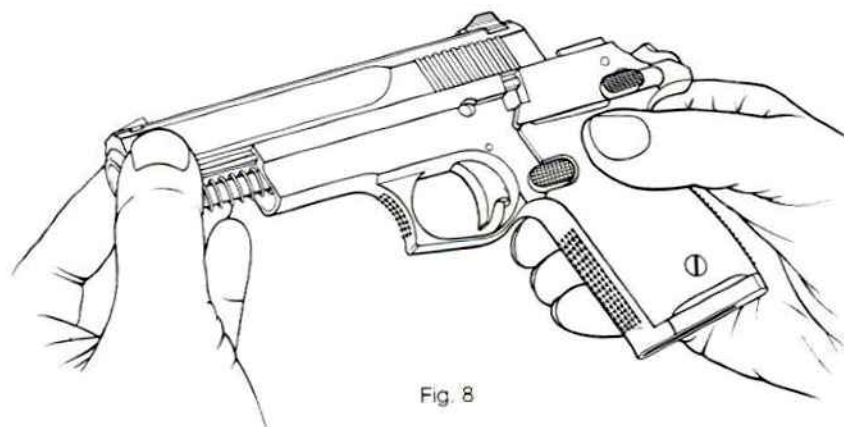
DISASSEMBLY AND CLEANING



Start of disassembly. (Fig. 7)

First of all, remove magazine and check to ensure that there is no cartridge left in the chamber and remove it if there is.

Cock the hammer by hand and pull slide back until reference line on the left side of the slide is in line with a corresponding line on the frame, at the same time press the index finger of the right hand against the end of the slide stop shaft protruding from the opposite side of the frame (see arrow in Fig. 7) above the trigger guard, until the slide stop is partially extracted. With the thumb and index finger of the left hand grasp the slide stop and pull it out.



Removal of the slide assembly. (Fig. 8)

Once the slide stop has been removed, the slide assembly can now be withdrawn by pulling it out and forward from the frame.

The barrel and recoil spring assembly will come out with the slide assembly.

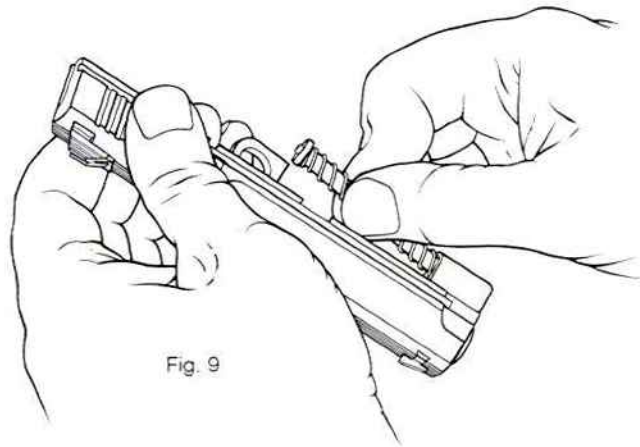


Fig. 9

Removal of the recoil spring assembly. (Fig. 9)

Grasp the rear end of the recoil spring assembly between thumb and index finger of the right hand and pulling it slightly forward to separate its small locking plunger at the rear of the spring guide from the barrel lug face, lift it up and out rearward of the slide.

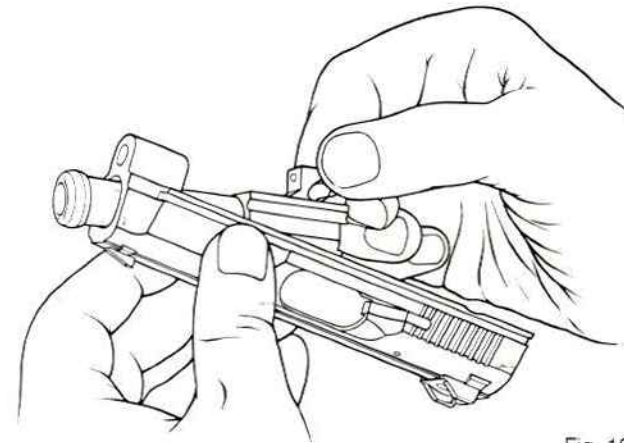


Fig. 10

Removal of the barrel. (Fig. 10)

The barrel is removed from the slide in a similar way as the recoil spring assembly, taking into account that the ring at the muzzle can only pass along the enlarged part of the channel in the proximity of the recoil spring assembly housing.

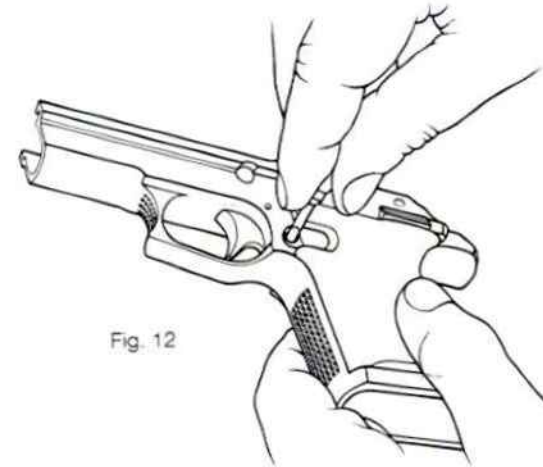


Access to the firing pin and its safety. (Fig. 11)

For the removal of the firing pin and its safety it is necessary to withdraw the rear sight from its dovetail by shifting it to either side after its retainer has been depressed by means of the slide stop shaft point, or another pointed object.

Take care not to let the rear sight retainer and its spring, as well as the firing pin safety spring plunger and its spring, fly away when shifting out the rear sight.

The firing pin safety may now be lifted out from its housing and the firing pin and its spring withdrawn from the rear.



Removal of the magazine catch. (Fig. 12)

Depress the magazine catch button and with the screwdriver turn the magazine catch lock one-quarter turn counter-clockwise, to disengage it from its locking slot in the frame. The magazine catch with its lock and spring may now be removed as an assembly to the left.

The lock on the magazine catch for left-handed shooters should be turned clockwise, and the magazine catch assembly withdrawn to the right of the pistol.

Cleaning of the pistol:

Always clean the barrel and chamber as soon as possible after firing. Built up residue in the chamber can result in misfires due to the cartridge not seating fully in the chamber. Avoid cleaning from the muzzle to prevent wear caused by the cleaning rod.

Under normal usage conditions it is advisable to put a little oil on the friction points. The slide guiding rails, barrel seats, firing pin with its safety and the firing mechanism are those points which should be slightly oiled by using fine mineral oil only.

Always wipe off the exterior of the pistol after use with a slightly oiled cloth to remove sweat finger marks which may be highly corrosive, in order to protect the finish.

However, in dusty and sandy environments it is preferable to keep the pistol as dry as possible with a minimum of lubrication, as otherwise the dust and sand could hang on with even more negative results than the absence of oil.

Reassembly of the pistol:

Reassembly of the parts is in general easily accomplished by reversing the aforementioned procedures for disassembly.

STAR BONIFACIO ECHEVERRIA S.A.

C/ TORREKUA, 3 - P. O. BOX 10
PHONE (9) 43 - 11 73 40
TELEX 38658 BEIA E - CABLES «STAR»
FAX (9) 43 - 11 15 24
20600 EIBAR (GUIPUZCOA) SPAIN



L/U - 7000 - VI-90
STAR PUBLICIDAD