

STAG ARMS®



You must read and understand this manual before using this firearm.

You must follow all safety precautions and instructions.

If you do not understand any part of this manual or you are unsure about the operation of your firearm, contact Stag Arms before proceeding.

**Stag Arms
515 John Downey Drive
New Britain, CT 06051
860.229.9994
www.stagarms.com**

WARNING

Risk of serious injury or death.

Failure to read this manual and to follow the instructions may result in serious injury or death to you or to others.


Be sure you understand all instructions and hazards associated with firearms before using this firearm.

Safety.....	3
Safety Alert Symbol And Signal Words	3
Safety Is Critical To Performance	3
Safety Guidelines	4
Identification.....	8
Model And Serial Number.....	8
Part Identification.....	8
Inspect For Ammunition.....	9
Ammunition.....	12
Loading.....	14
Firing.....	17
Malfunctions.....	20
Unloading.....	23
Disassembly For Cleaning.....	26
Remove Bolt Carrier	26
Disassemble Bolt.....	29
Assemble Bolt.....	32
Remove Buffer And Action Spring	34
Install Buffer And Action Spring	35
Install Bolt Carrier	36
Remove Handguards.....	37
Remove Piston (Piston Driven Models)	38
Install Piston (Piston Driven Models)	39
Cleaning.....	41
Cleaning The Barrel.....	41
Cleaning The Chamber	42
Cleaning The Exterior	42
Cleaning The Gas Piston & Piston Tube	42
Collapsible Buttstock	43
Carrying Handle.....	44
Adjust Sights.....	45
Definition of Terms.....	47
Parts Listings	49
Limited Warranty.....	56
Service.....	58
Customer Service	58
Returns.....	58
Exchanges.....	58

SAFETY

SAFETY ALERT SYMBOL AND SIGNAL WORDS

This manual provides instructions on the operation and maintenance of rifles made by Stag Arms. You must read, understand and follow the instructions and safety warnings in this manual. The safety of yourself and those around you, depends on the knowledge you have of your rifle, and your knowledge of the safety guidelines common to all firearms.

The safety information in this manual is denoted by the safety alert symbol: 

The level of risk is indicated by the following signal words.

DANGER

Indicates a hazardous situation, which, if not avoided, will result in death or serious injury.

WARNING

Indicates a hazardous situation, which, if not avoided, could result in death or serious injury.

CAUTION

Indicates a hazardous situation, which, if not avoided, could result in minor or moderate injury.

NOTICE

Indicates a situation that could result in damage to the equipment or other property.

SAFETY IS CRITICAL TO PERFORMANCE






A well crafted gun is only as good as the hands that hold it. Shooting accidents are often caused by careless oversights. These oversights can result in the loss of life, limb or property. Proper use and performance of your firearm depends on correct assembly and maintenance, which is why it is critical you read and understand the information in this

manual. Use the following safety guidelines in every situation.

SAFETY GUIDELINES

WARNING

You must follow all of the safety guidelines to ensure the safe use of your firearm. Failure to follow these basic firearm safety guidelines may result in an unintended discharge which could cause serious injury or death.

-  Treat every firearm as if it's loaded.
-  A dropped firearm may discharge. Do not drop your firearm.
-  Always keep your firearm pointed in a safe direction. Never point a firearm at anyone whether the firearm is loaded or not. Be careful when you're loading or unloading your firearm.
-  Firearms must be unloaded when not in use. Load your firearm only when you are in the field or target range and ready to fire. Never let a loaded firearm out of your sight. Completely unload your firearm as soon as you are finished shooting, before storing, traveling, standing it against anything, laying it down, entering a vehicle, entering a building or bringing it into your home. Do not take anyone's word that a firearm is unloaded, always verify for yourself. Never pass your firearm to another person until you visually check that it is unloaded. Keep your firearm unloaded and safely stored when not in use.
-  Never rely on your firearm mechanical features alone. Only your safe handling of your firearm, will ensure the safe use of your firearm. A mechanical safety is not a substitute for common sense. It is merely a supplement to your safe handling of a firearm. Never touch the trigger or trigger guard until you are ready to fire. Be sure that no other objects touch the trigger. Never climb a tree or cross obstacles such as streams, creeks, or fences with a loaded firearm.

! Verify the barrel is clear of obstructions before loading and firing. Completely unload the firearm and check the barrel for any obstructions or debris. Never let water, snow, mud or other materials enter the barrel. Excess lubricants or grease can dangerously increase pressure and may cause barrel to burst when firing. If barrel is obstructed, remove ammunition and clean barrel immediately.

! Every firearm is designed to use a certain gauge or caliber of ammunition. Never use the wrong ammunition, or non-standard, or "handloaded" ammunition which has not been subjected to internal ballistic pressure testing. Always read and follow the instructions on the ammunition box.

! Be sure of your target and the surrounding area. Never fire unless you know exactly where your shot is going, and what it will strike. Make sure the shot has a safe back stop, such as a hillside or sand. Bullets can ricochet on surfaces such as water. Do not fire into the sky.

! Safely store and secure your firearm and ammunition separately. Store your firearm and ammunition so that they are not accessible to children or unauthorized persons. Evaluate your personal situation to be sure children and unauthorized persons cannot access your firearm.

! You are responsible for your firearm at all times. You must protect yourself and others against injury or death from misuse of a firearm.

! Never lock a loaded firearm and never load a locked firearm.

! Always wear appropriate eye and ear protection while shooting and cleaning a firearm. Be sure others in the vicinity have protection as well.

! Never use drugs or alcohol before or during use of firearm. Never use your firearm if you are taking

any medication which impairs, even slightly, your mental or physical ability.

! Obey all laws regarding the storage, security, transportation and carrying of firearms.


You must be familiar with all local, state, and federal laws regarding the safe use, storage and/or transportation of your firearm. Your local police department can answer any questions you may have regarding the legal use, storing and/or transporting of your firearm.


! Discharging firearms in poorly ventilated areas, cleaning the firearm, and the handling of ammunition may result in exposure to lead and other substances known to cause birth defects, reproductive harm, cancer, and other physical injury. Wash hands thoroughly after exposure. Read the warnings and labels on all ammunition and cleaning products carefully.


! Understand all operational aspects of the firearm before handling. Every firearm is different. Familiarize yourself with all mechanical features of your firearm. If you do not understand any part of this manual or you are unsure about the operation of your firearm, contact Stag Arms at 1-860-229-9994 before proceeding.

! If your firearm fails to fire when the trigger is pulled, handle with care. Keep the firearm pointed in a safe direction. Keeping your face away from the breach, put the safety on. Unload your firearm and dispose of the ammunition safely.

! Never alter or modify your firearm. Never disassemble your firearm beyond what is outlined in this manual. Improper manipulation of any internal components and/or improper disassembly or reassembly may be dangerous, and may lead to serious injury or death. Do not try to change your firearm's trigger pull, alterations might cause accidental firing. Only a qualified gunsmith should service, repair, or modify your firearm in any way.

 Be sure all accessories are compatible with your firearm. Accessories must not interfere with the safe operation of your firearm.


 Never allow your firearm to be used by an individual who does not understand its safe operation or has not read these firearm safety guidelines.

 The safe use of your firearm is your personal responsibility. Failure to follow all of these basic safety guidelines may result in severe injury or death to you or others.

You, the owner, are the most important safety device when it comes to the use of your Stag Arms Firearm.

Under no circumstances will Stag Arms be responsible for any injury, death or property damage that results from:

- A disregard of the safety guidelines and warnings;
- The criminal or negligent use of the firearm;
- Improper or careless handling of the firearm;
- Improper or negligent modifications or repairs to the firearm;
- The use of non-standard, defective, improper or reloaded ammunition.

 **This manual must accompany this firearm and be transferred with it upon change of ownership or when presented to another person.**

IDENTIFICATION

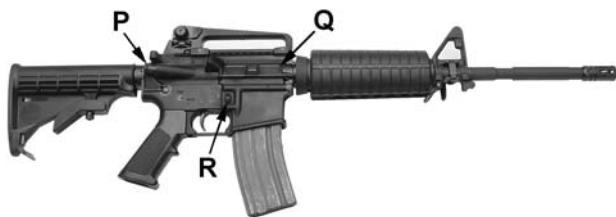
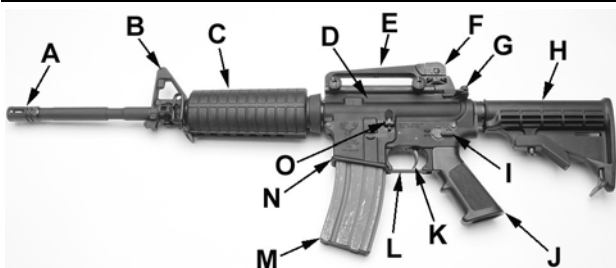
MODEL AND SERIAL NUMBER

The model number (A) and serial number (B) are located on the left side of the firearm. See figure 1.



Figure 1

PART IDENTIFICATION



A - Flash
Suppressor

B - Front Sight

C - Hand Guard

D - Upper
Receiver

E - Handle

F - Rear Sight

G - Charging
Handle

H - Stock

I - Safety Lever

J - Grip

K - Trigger

L - Trigger Guard

M - Magazine

N - Lower
Receiver

O - Bolt Catch

P - Bolt Assist

Q - Dust Cover

R - Magazine
Release
Button

INSPECT FOR AMMUNITION

⚠️ WARNING

Risk of serious injury or death.

A loaded firearm may discharge unintentionally.

Point the firearm in a safe direction while inspecting for ammunition.

- ⚠️** 1. Place the safety selector lever (A) on SAFE. See figure 2.



Figure 2

2. Grasp the firearm while keeping your finger off the trigger. Press the magazine release button (B) and pull the magazine (C) down to remove. See figure 3.



Figure 3

3. Unlock and pull the charging handle (D) all the way out and press in on the lower portion of the bolt catch (E). Release charging handle. This locks the bolt in the open position. See figure 4 and 5.



Figure 4

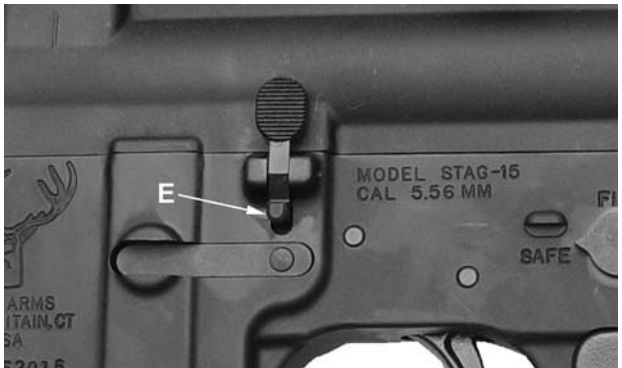


Figure 5

4. Look into the receiver through the ejection port and verify that there are no cartridges in the chamber (F). See figure 6.



Figure 6

5. Follow this inspection procedure before storage, cleaning, transporting and before handing to another person or when handed to you.

AMMUNITION

⚠ DANGER

Risk of serious injury or death.

Failure to use the proper gauge or caliber of ammunition will cause your firearm to fail when firing.

Always use ammunition specifically designed for use in your firearm.

⚠ You are responsible for using ammunition specifically designed for and that meets industry standards for use in your firearm.

⚠ Using ammunition not specifically designed for your firearm can cause the pressure to exceed the capability of your firearm, and could damage and/or rupture your firearm.

⚠ Never mix ammunition.

Locate the caliber mark (A) on the firearm. See figure 7. This designates the ammunition caliber that must be used in your firearm.



Figure 7

Always inspect your ammunition before using it. Never use damaged or corroded ammunition which could lead to a burst cartridge causing damage to the firearm and possible personal injury or death.

Always use ammunition that is commercially manufactured with internal ballistic pressures which are in strict accordance with the specifications of the Sporting Arms and Ammunitions Manufacturers' Institute (SAAMI). For verification, contact your ammunition supplier.

Your firearm has been designed for ammunition of a specific caliber and type. The firearm and ammunition work together as a system. You must use the correct ammunition for your firearm.

 **WARNING**

Risk of serious injury or death.

Use of “handloaded”, reloaded or non-standard ammunition may cause your firearm to fail to fire, jam, or to dangerously increase pressure and cause barrel to burst when firing.

Use only quality commercially manufactured ammunition.

LOADING

⚠ WARNING

Risk of serious injury or death.

A loaded firearm may discharge unintentionally if dropped.

Handle the loaded firearm with care.

Clean your firearm before the first use. Your firearm has been treated at the factory to prevent corrosion. The chamber, bore, and exterior surfaces must be cleaned to remove excess oil.

⚠ You must read and understand this manual before loading.

⚠ Load your firearm only when you are in the field or target range, when you are sure of the target and ready to fire.

1. Inspect the firearm for ammunition if you have not done so. See Inspect For Ammunition in this manual.

⚠ 2. Verify that the safety lever is in the SAFE position.

3. Press the upper portion of the bolt catch (A) and the bolt (B) should spring forward. Be sure the bolt is fully forward and locked. See figure 8.



Figure 8

⚠ WARNING

Risk of serious injury or death.

Using damaged, incorrect, non-standard, or “handloaded” ammunition may result in firearm failure or misfire.

Use only quality undamaged ammunition in your firearm.

4. Inspect each cartridge for signs of damage. Do not load damaged ammunition. Load the magazine with the proper caliber of undamaged ammunition.

5. Push the magazine (C) up into the magazine well until the magazine release button (D) engages and holds the magazine. Use your hand and tap on the bottom of the magazine to be sure it is seated. See figure 9.



Figure 9

⚠ WARNING

Risk of serious injury or death.

After performing step 6, the firearm is loaded and will fire if the safety selector is set to FIRE and the trigger is pulled.

Keep the firearm pointed in a safe direction at all times.

⚠ WARNING

Risk of serious injury or death.

Never insert a round into the chamber through the ejection port.

Load the chamber by feeding a round from the magazine only.

6. To load a round into the chamber, pull the charging handle (B) fully rearward and release. Tap the forward assist (E) with your hand to be sure the bolt is fully forward and locked. A round from the magazine is now loaded into the chamber. See figure 10.

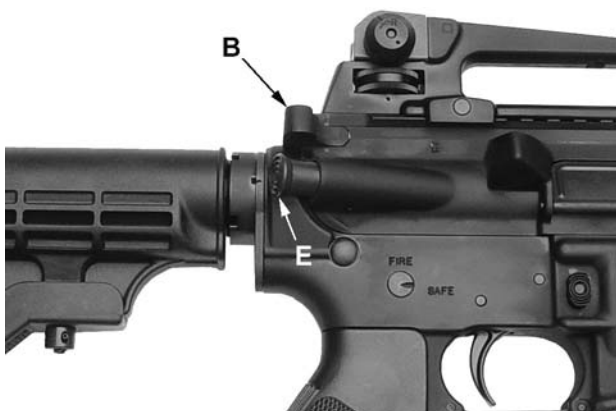


Figure 10

FIRING

⚠ WARNING

You must follow all of the safety guidelines to ensure the safe use of your firearm. Failure to follow these basic firearm safety guidelines may result in an unintended discharge which could cause serious injury or death.

- ⚠** Always point the barrel in a safe direction.
- ⚠** Be alert and follow safety instructions.
- ⚠** Be aware of others. Persons in the vicinity of your shooting may unintentionally walk into your line of fire.
- ⚠** The proper eye and ear protection must be worn by the shooter and bystanders in the area.

1. Grasp the firearm with one hand on the hand guard and the other on the grip. Keep fingers away from the trigger and trigger guard. See figure 11.



Figure 11

2. Place the buttstock firmly against your shoulder.

3. Mover the safety lever to FIRE. See figure 12.



Figure 12

4. Aim at the target and gently pull the trigger with your index finger to fire. Release the trigger and the chamber will reload immediately. You may continue to fire by pulling the trigger and fully releasing until the magazine is empty.

5. When you stop firing, remove your finger from the trigger and place the safety lever in the SAFE position. See figure 13.



Figure 13

6. Remove and reload magazine if you plan to continue shooting.

 **WARNING**

Risk of serious injury or death.

The firearm may have a round in the chamber even though the magazine has been removed. Keep the firearm pointed in a safe direction while the magazine is reloaded.

7. Unload the firearm using the Inspect For Ammunition procedure in the manual.

MALFUNCTIONS

⚠ WARNING

Risk of serious injury or death.

If your firearm is not operating properly, stop firing immediately.

Point the firearm in a safe direction and unload the firearm.

Safely store the firearm and take it to a qualified gunsmith for inspection.

⚠ If a cartridge jams or hangs up while moving from the magazine into the chamber, do not attempt to force the cartridge into the chamber.

If your firearm misfires or jams:

⚠ 1. Remove your finger from the trigger area, point the firearm in a safe direction and wait 10-15 seconds.

⚠ 2. Place the safety selector lever (A) on SAFE. See figure 14.



Figure 14

3. Press the magazine release button (B) and pull the magazine (C) down to remove. See figure 15.



Figure 15

4. Unlock and pull the charging handle (D) all the way out and press in on the lower portion of the bolt catch (E). Release charging handle. This locks the bolt in the open position. See figure 16 and 17.



Figure 16

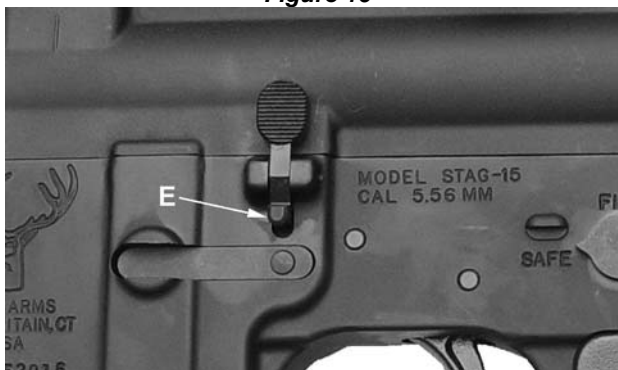


Figure 17

5. Look into the receiver and verify that there are no cartridges in the chamber (F). See figure 18.



Figure 18

6. If a cartridge cannot be removed, safely store the firearm and take it to a qualified gunsmith for inspection.

UNLOADING

- ⚠** 1. Place the safety selector lever (A) on SAFE. See figure 19.



Figure 19

2. Press the magazine release button (B) and pull the magazine (C) down to remove. See figure 20.



Figure 20

3. Unlock and pull the charging handle (D) all the way out and press in on the lower portion of the bolt catch (E). Release charging handle. This locks the bolt in the open position. See figure 21 and 22.



Figure 21

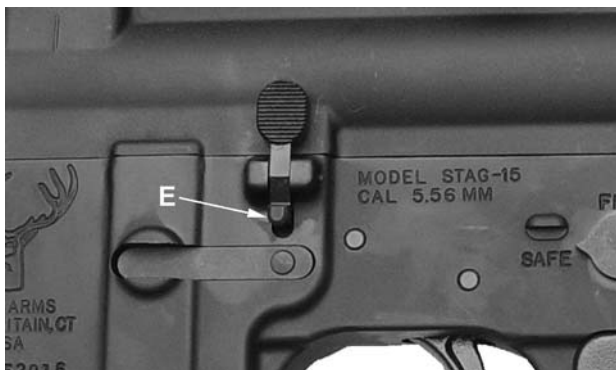


Figure 22

4. Look into the receiver and verify that there are no cartridges in the chamber (F). See figure 23.



Figure 23

DISASSEMBLY FOR CLEANING

WARNING

Risk of serious injury or death.

Always point the firearm in a safe direction.

WARNING

Risk of serious injury or death.

Verify that the firearm is not loaded before any disassembly or cleaning is begun.


WARNING

Risk of serious injury or death.


Do not disassemble the firearm any further than instructed in this manual.

Do not modify or alter any part of the firearm.

Wear the appropriate protective clothing while disassembling and assembling the firearm.

 Disassembling the firearm and the handling of ammunition and cleaning products may result in exposure to lead and other substances known to cause birth defects, reproductive harm, cancer, and other physical injury. Wash hands thoroughly after exposure. Read the warnings and labels on all ammunition and cleaning products carefully.

REMOVE BOLT CARRIER

 1. Verify that the firearm is not loaded. See Unloading in this manual.

2. Verify that bolt is in the forward position.

3. Push in on the takedown pin (A) from the left side of the firearm. See figure 24.



Figure 24

4. Pull the takedown pin (A) out as far as it will go. The pin will not be removed from the firearm. See figure 25.



Figure 25

5. Pivot the lower receiver away from the upper receiver.

Note: The upper and lower receivers may be separated by removing pivot pin (B). See figure 26.



Figure 26

6. Pull back on the charging handle (C) to remove charging handle and bolt carrier assembly (D). See figure 27 & 28.

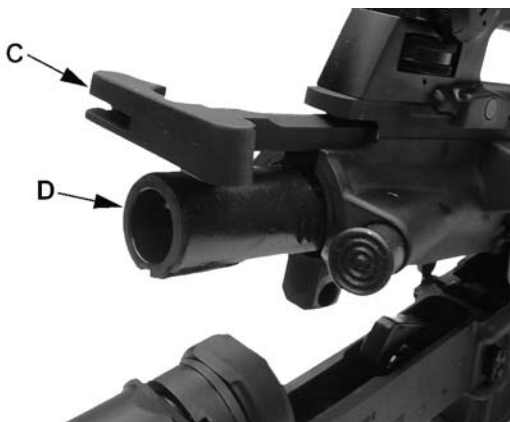


Figure 27

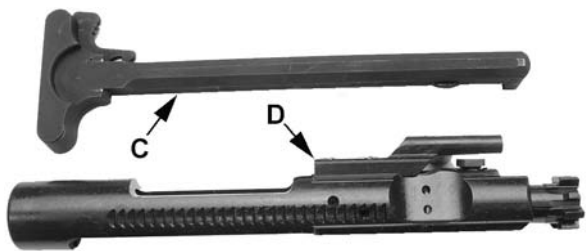


Figure 28

7. Clean charging handle and bolt carrier components with a quality gun cleaning solution. Lubricate components with a quality gun lubricant.

⚠ WARNING

Risk of serious injury or death.

Do not disassemble the firearm any further than instructed in this manual.

Do not modify or alter any part of the firearm.

Replacement parts must be installed by a qualified gunsmith.

DISASSEMBLE BOLT

1. Remove bolt carrier assembly from firearm. See Remove Bolt section previously in this manual.
2. Remove the firing pin retaining pin (A). Do not distort the ends of the retaining pin. See figure 29.



Figure 29

3. Push the bolt assembly (B) into the bolt carrier to the locked position as illustrated in figure 30.



Figure 30

4. Remove the firing pin (C) through the rear of the bolt carrier assembly. See figure 31.



Figure 31

5. Turn bolt cam pin (D) 90° and remove from bolt carrier assembly. See figure 32.

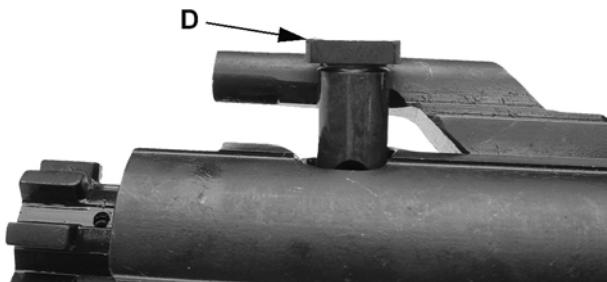


Figure 32

6. Remove bolt assembly (B) from bolt carrier assembly. See figure 33. **For piston driven models**, remove spring from bolt carrier.



Figure 33

7. Push in on the rear (E) of the extractor. If the extractor does not spring back, remove the extractor from the bolt for cleaning. Push extractor pin (F) out to remove extractor. See figure 34.

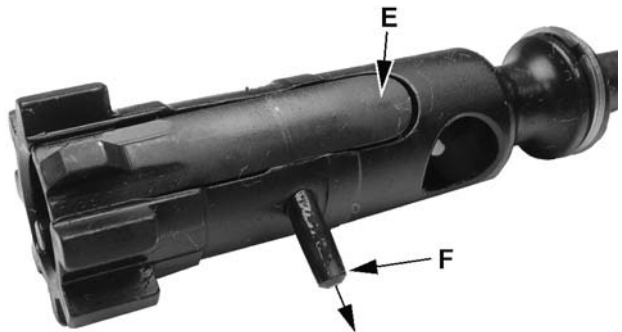


Figure 34

8. Remove extractor pin (F) and extractor (G) from bolt (B). Do not remove insert (I) from extractor spring (H). See figure 35.

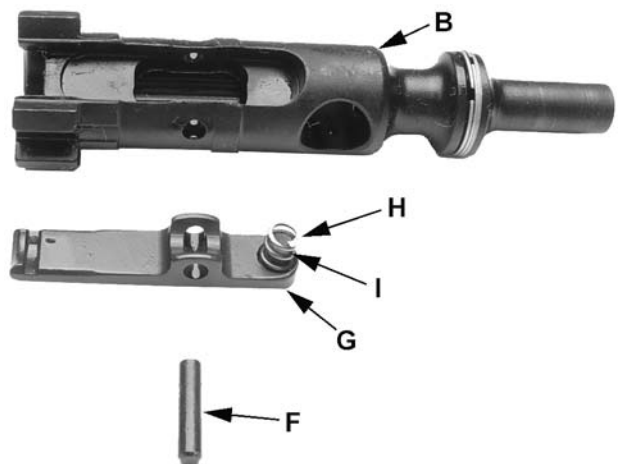


Figure 35

⚠ WARNING

Risk of serious injury or death.

Do not disassemble the firearm any further than instructed in this manual.

Do not modify or alter any part of the firearm.

Replacement parts must be installed by a qualified gunsmith.

9. Clean bolt and bolt carrier components with a quality gun cleaning solution. Lubricate components with a quality gun lubricant.

ASSEMBLE BOLT

1. Stagger the gaps in the three gas rings 120° apart around the bolt. Do not align the gaps. See figure 36.



Figure 36

2. Install extractor (G) with insert and spring into bolt (B) and install extractor pin (F). Extractor pin must not extend outside the bolt on either side. See figure 37.

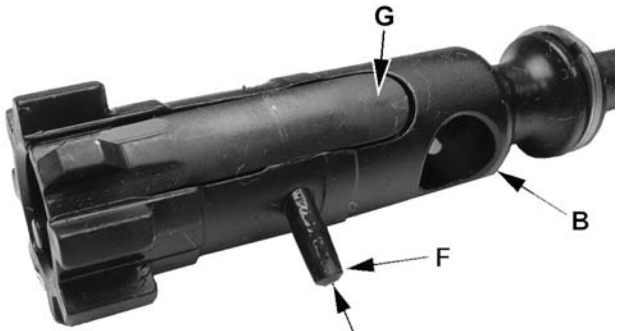


Figure 37

3. **For piston driven models**, install spring on bolt with small end facing the bolt. **All models:** Install bolt assembly into bolt carrier. Insert cam pin (D) and turn 90°. The hole in pin will align with the hole through the bolt. See figure 38.

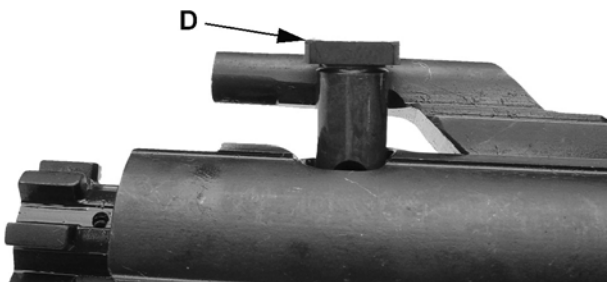


Figure 38

4. Insert the firing pin (C) through the rear of the bolt carrier assembly. See figure 39.



Figure 39

5. Pull the bolt out and install the firing pin retaining pin (A). See figure 40.



Figure 40

REMOVE BUFFER AND ACTION SPRING

⚠ 1. Verify that the firearm is not loaded. See Unloading in this manual.

2. Hold the buffer in and press down on retainer to release buffer. See figure 41.

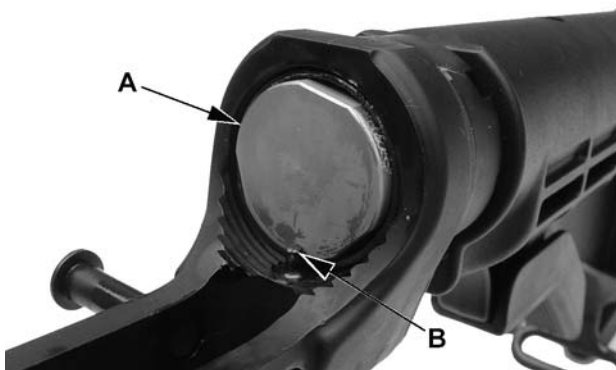


Figure 41

3. Remove the buffer (A) and spring (C). See figure 42.

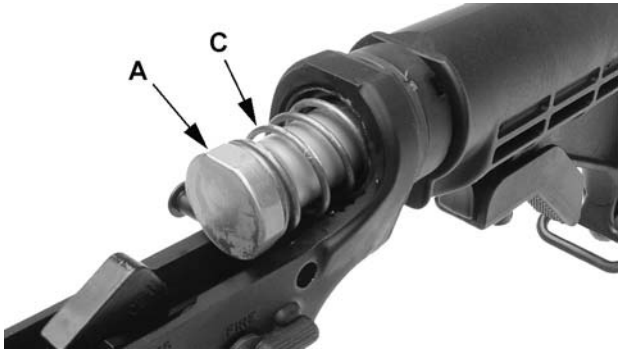


Figure 42

⚠ WARNING

Risk of serious injury or death.

Do not disassemble the firearm any further than instructed in this manual.

Do not modify or alter any part of the firearm.

Replacement parts must be installed by a qualified gunsmith.

4. Clean buffer and spring components with a quality gun cleaning solution. Lubricate components with a quality gun lubricant.

INSTALL BUFFER AND ACTION SPRING

1. Insert the action spring onto the buffer and into receiver. Press down on retainer (B) and push buffer (A) past retainer, then release retainer. See figure 43.

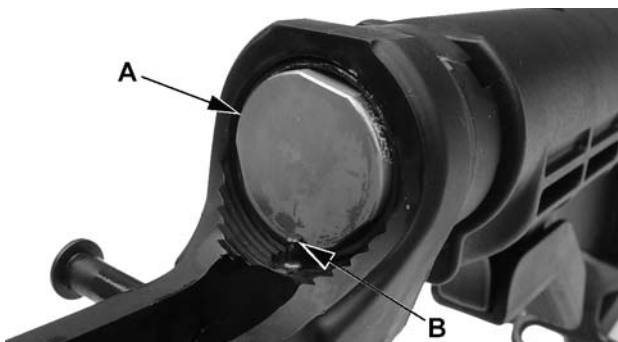


Figure 43

INSTALL BOLT CARRIER

1. Engage and partially insert charging handle (C). Install bolt carrier (D) so that slot in carrier engages tab on charging handle. Push carrier and charging handle into receiver. See figure 44.

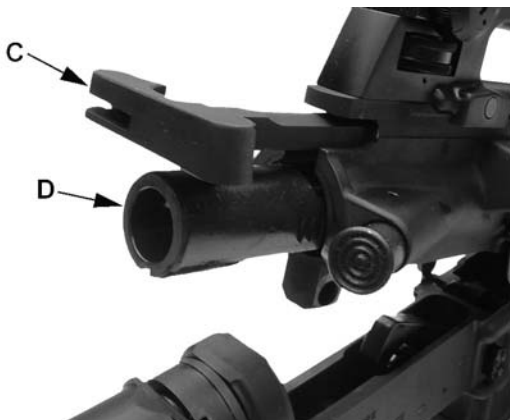


Figure 44

⚠ 2. Verify the safety selector is on SAFE. See figure 45.



Figure 45

2. Pivot the lower receiver to the upper receiver and push the takedown pin (A) in. See figure 46.



Figure 46

REMOVE HANDGUARDS

! 1. Verify that the firearm is not loaded. See Unloading in this manual.

! CAUTION

Risk of injury.

Two people are required to remove and install the handguards.

2. Stand the firearm on the stock.

3. While one person pulls down on the delta ring (A), the second person can remove the handguards. See figure 47.

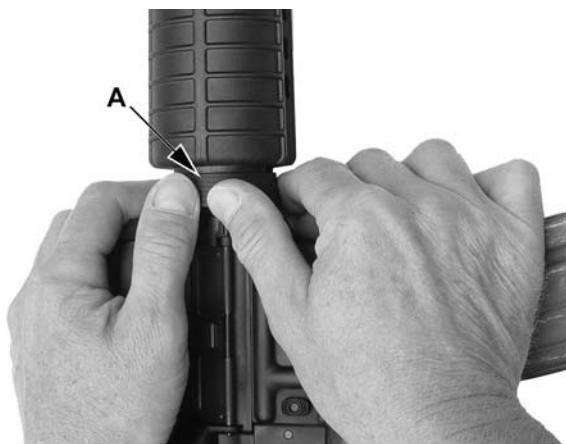


Figure 47

4. To install handguards, one person pulls down on the delta ring (A), the second person can install the handguards. See figure 47.

REMOVE PISTON (PISTON DRIVEN MODELS)

- ⚠** 1. Verify that the firearm is not loaded. See Unloading in this manual.
- 2. Remove the top handguard. See remove handguards in this manual.
- 3. Press the detent pin (A), unscrew and remove gas plug (B). See figure 48.

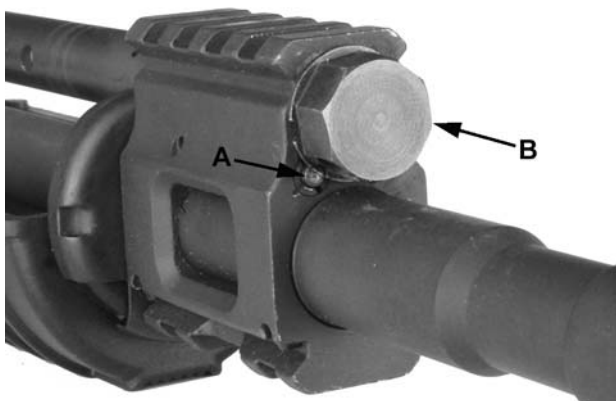


Figure 48

4. Remove gas piston (C) and piston spring (D). See figure 49.

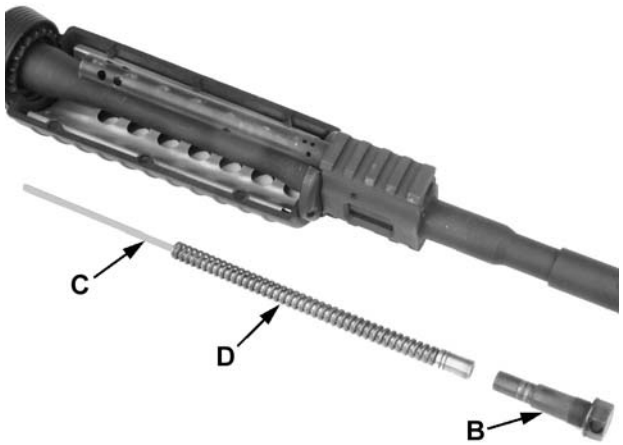


Figure 49

INSTALL PISTON (PISTON DRIVEN MODELS)

1. Install spring (D) on gas piston (C).

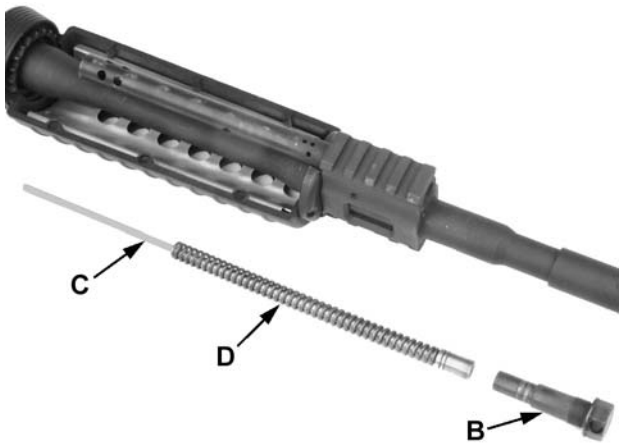


Figure 50

2. Insert gas piston with spring into gas block and install gas plug (B). Tighten gas plug to second detent position (on) as shown in figure 51. You must press detent pin (A) to bypass the first detent (off) position.

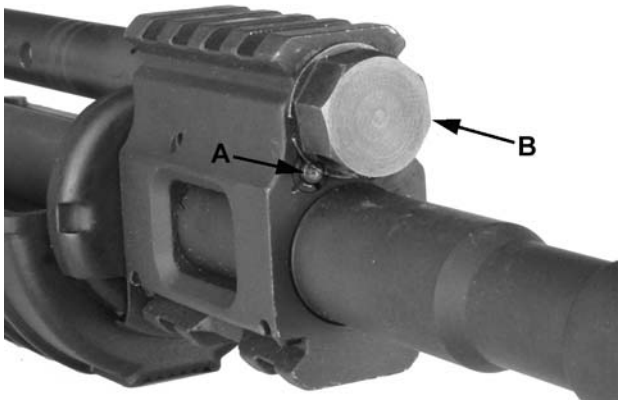


Figure 51

CLEANING

WARNING

Risk of serious injury or death.

Always point the firearm in a safe direction.

WARNING

Risk of serious injury or death.

Verify that the firearm is not loaded before any disassembly or cleaning.

NOTICE

Risk of firearm damage.

Some cleaning solutions and solvents may damage your firearm.

Use a cleaning solution that is designed for use on firearms.

NOTICE


Risk of firearm damage.

Do not allow cleaning rods to scratch the inside of the barrel or chamber.

Commercial firearm cleaning kits are available from your firearms distributor. Follow the instructions included with the cleaning kit.

Clean the firearm before the first use to remove excess oil.

CLEANING THE BARREL

 Remove the magazine and verify that the firearm is not loaded and safety is on SAFE.

Clean the barrel with a cotton patch attached to a cleaning rod. Moisten the patch with cleaning solution. Repeat with clean patches until patch stays clean. Apply cleaning solvent to a bronze bore brush to help loosen particles inside the barrel. After


cleaning, run a dry patch through the barrel and then follow with a lightly oiled patch.

CLEANING THE CHAMBER

 Remove the magazine and verify that the firearm is not loaded and safety is on SAFE.


Clean the chamber with solvent and a chamber cleaning brush. Move the brush through the chamber several times to scrub the inside of the chamber. Use a clean patch to wipe the chamber after cleaning. Repeat with clean patches until patch stays clean. After cleaning, run a dry patch through the chamber. Do not oil the chamber.

CLEANING THE EXTERIOR

 Remove the magazine and verify that the firearm is not loaded and safety is on SAFE.

Wipe all metal surfaces with a clean cloth and then follow up with a lightly oiled cloth.

CLEANING THE GAS PISTON & PISTON TUBE

 Remove the magazine and verify that the firearm is not loaded and safety is on SAFE.

Remove the gas piston. See Remove Gas Piston in this manual.

Clean the piston tube with a $\frac{3}{8}$ inch cleaning brush and solvent until all residue is removed. Clean piston, spring and plug with a cleaning brush and solvent until all residue is removed.

Wipe down all surfaces to remove solvent.

COLLAPSIBLE BUTTSTOCK

⚠ Always point the barrel in a safe direction.

To extend or retract the buttstock, pull lever (A) and move buttstock to the desired position. See figure 52.



Figure 52

CARRYING HANDLE

⚠ Always point the barrel in a safe direction.

To remove the carrying handle (A), loosen two screws (A) and remove handle. See figure 53.



Figure 53

ADJUST SIGHTS

The sights have been zeroed at the factory. If adjustments are necessary, use the following procedure.

The front sight post is threaded to allow up or down movement when zeroing the rear sight. Press in on the detent pin (A) and turn the sight post (B) in $\frac{1}{4}$ turn increments up or down as necessary. Turn the sight post (B) clockwise to lower or counterclockwise to raise. Verify that detent pin (A) pops up to engage the sight post. See figure 54.

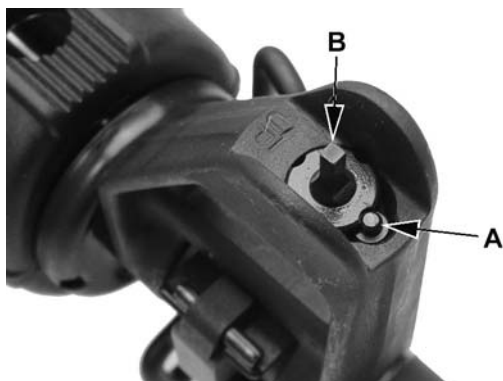


Figure 54

Note: An optional dual aperture rear sight is described in the procedure below.

Use the larger sight for normal and short range firing and the smaller sight for long range firing.

Use the side adjustment knob (C) and the elevation knob (D) to zero the sights. See figure 55.



Figure 55

DEFINITION OF TERMS

Barrel – The tube through which the bullet travels when the firearm is fired.

Bolt – A sliding bar that pushes the cartridge into place and extracts the empty cartridge after firing.

Buttstock – The part of the stock located behind the breech mechanism in a firearm.

Bolt Catch – The lever that, when depressed, releases the bolt carrier assembly to the forward position.

Caliber – The diameter of the bolt, designated in hundredths or thousandths of an inch (.357) or in millimeters (9mm).

Charging Handle – This cocks the firearm when preparing to fire or clean.

Handguard – This is a protective shield that covers the gas tube and the barrel keeping your hand away from the hot barrel.

Firing Pin – A part of the firing mechanism used in a firearm.

Flash Suppressor – This reduces the amount of flash from the muzzle when the weapon is fired.

Magazine – A metal receptacle for a number of cartridges, inserted into certain types of automatic weapons and when empty removed and replaced full receptacle in order to continue firing.

Rifle – A weapon that can be fired from the shoulder.

Safety Selector Lever – This feature changes the trigger between the safe mode and the firing modes.

Sight – A device used to assist aim by guiding the eye.

Trigger – A small projecting tongue in a firearm that, when pressed by the finger, actuates the mechanism that discharges the weapon.

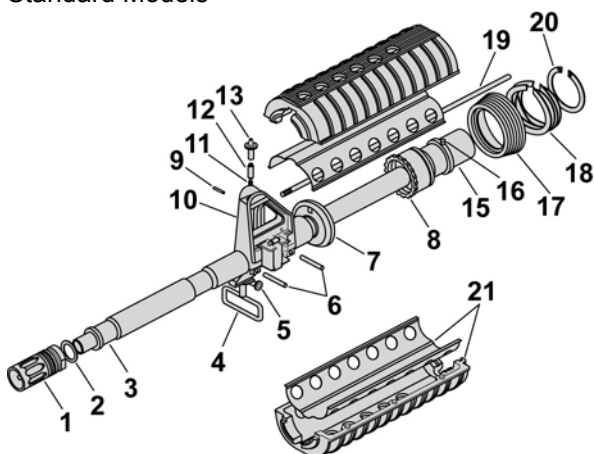
Upper Receiver – The part of the receiver containing the barrel, sights, bolt, and associated parts.

PARTS LISTINGS

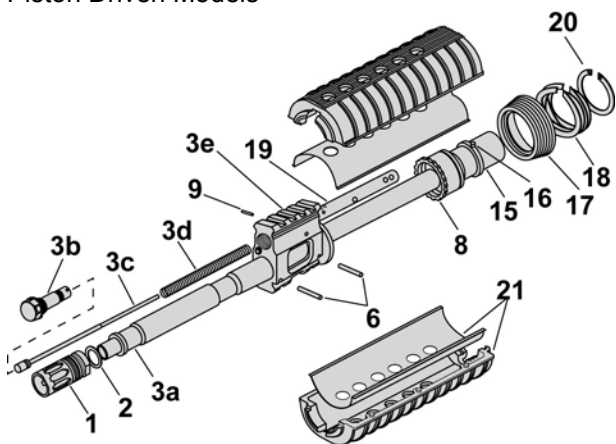
This Page Intentionally Left Blank

BARREL

Standard Models

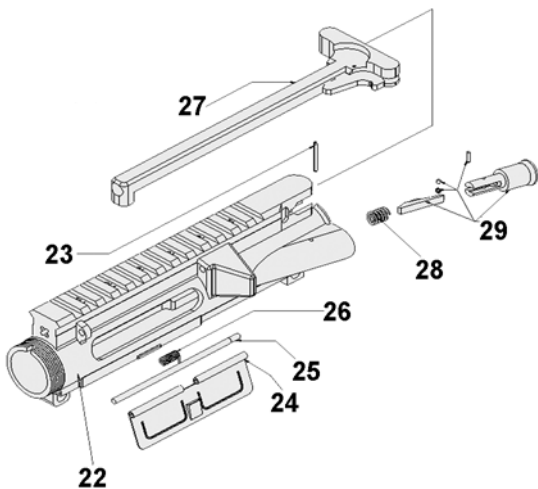


Piston Driven Models



- 1** – Flash Suppressor
- 2** – Crush Washer
- 3** – Barrel (Standard Models)
- 3a** – Barrel (Piston Driven Models)
- 3b** – Gas Plug (Piston Driven Models)
- 3c** – Gas Piston (Piston Driven Models)
- 3d** – Piston Spring (Piston Driven Models)
- 3e** – Gas Block (Piston Driven Models)
- 4** – Front Sling Swivel
- 5** – Front Sling Swivel Rivet
- 6** – Front Sight Taper Pin (2)
- 7** – Side Sling Swivel Assembly
- 8** – Handguard Cap
- 9** – Gas Tube Roll Pin
- 10** – Front Sight
- 11** – Front Sight Detent Spring
- 12** – Front Sight Detent
- 13** – Front Sight Post
- 14** – Barrel Nut
- 15** – AMBI Barrel Extension
- 16** – Barrel Indexing Pin
- 17** – Delta Ring
- 18** – Weld Spring
- 19** – Gas Tube
- 20** – Handguard Snap Ring
- 21** – Thermoset Hand Guard With Heat Shield (2)

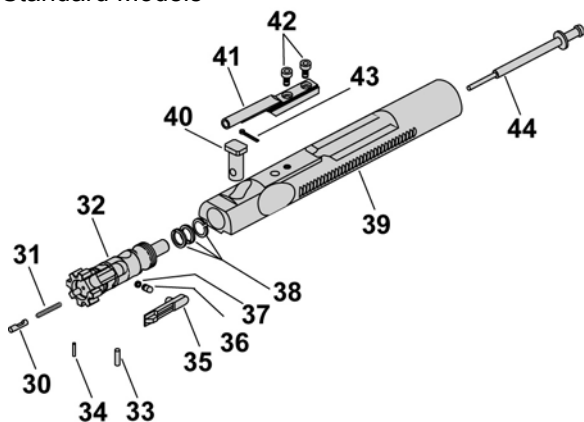
UPPER RECEIVER



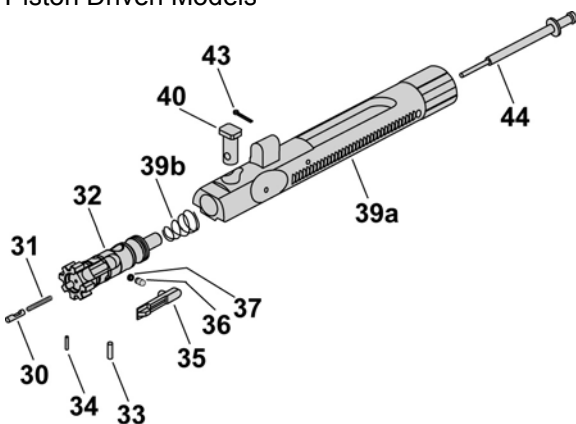
- 22** – Left-Handed A3 Upper Receiver
- 23** – Forward Assist Spring Pin
- 24** – Left-Handed Ejection Port Cover
- 25** – Ejection Port Cover Pin
- 26** – Ejection Port Cover Spring
- 27** – Charging Handle Assembly
- 28** – Forward Assist Spring
- 29** – Forward Assist Assembly

BOLT CARRIER

Standard Models



Piston Driven Models



30 – Ejector

31 – Ejector Spring

32 – Left-Handed Bolt

33 – Extractor Pin

34 – Ejector Roll Pin

35 – Extractor

36 – Extractor Spring

37 – Extractor Insert

38 – Gas Rings (3)

39 – Left-Handed Bolt Carrier (Standard Models)

39a – Bolt Carrier (Piston Driven Models)

39b – Bolt Carrier Spring (Piston Driven Models)

40 – Cam Pin

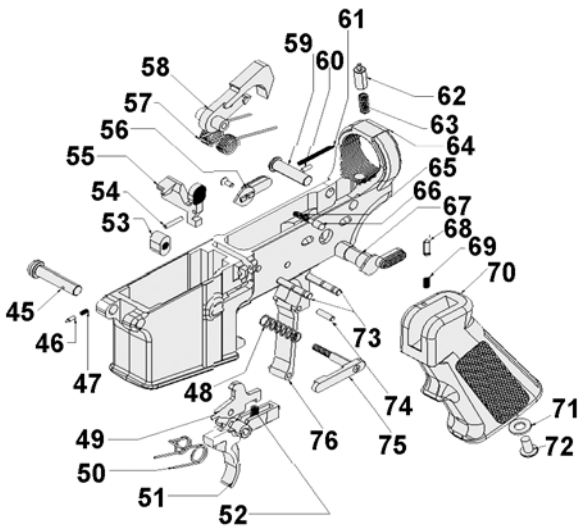
41 – Bolt Carrier Key (Standard Models)

42 – Bolt Carrier Key Screws (Standard Models)

43 – Firing Pin Retaining Pin

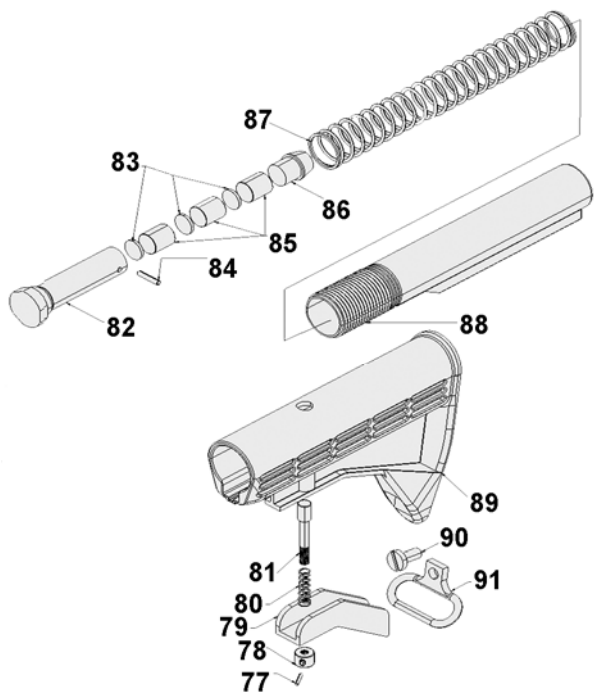
44 – Firing Pin

LOWER RECEIVER



- 45 – Pivot Pin
- 46 – Pivot Pin Detent
- 47 – Pivot Pin Spring
- 48 – Magazine Catch Spring
- 49 – Disconnecter
- 50 – Trigger Spring
- 51 – Trigger
- 52 – Disconnecter Spring
- 53 – Magazine Release Button
- 54 – Bolt Catch Roll Pin
- 55 – Bolt Catch
- 56 – AMBI Selector Assy (2)
- 57 – Hammer Spring
- 58 – Hammer With J Pin
- 59 – Takedown Pin
- 60 – Takedown Pin Detent
- 61 – Takedown Pin Spring
- 62 – Buffer Retainer
- 63 – Buffer Retainer Spring
- 64 – Lower Receiver
- 65 – Bolt Catch Spring
- 66 – Bolt Catch Plunger
- 67 – AMBI Selector Assembly (1)
- 68 – Safety Detent
- 69 – Safety Detent Spring
- 70 – Pistol Grip
- 71 – Lock Washer
- 72 – Pistol Grip Screw
- 73 – Hammer And Trigger Pins
- 74 – Trigger Guard Roll Pin
- 75 – Magazine Catch
- 76 – Trigger Guard Assembly

STOCK



- 77 – Receiver Nut Roll Pin
- 78 – Receiver End Nut
- 79 – Lock Lever
- 80 – Pin Stock Spring
- 81 – Shoulder Headle Pin
- 82 – Buffer Body
- 83 – Buffer Rubber Spacer
- 84 – Buffer Roll Pin
- 85 – Spacer Weight
- 86 – Buffer Plug
- 87 – Action Spring
- 88 – Receiver Extension
- 89 – Buttstock
- 90 – Rear Sling Loop Bolt
- 91 – Rear Sling Loop
- 92 – Receiver Nut (Not Shown)
- 93 – Receiver End Plate (Not Shown)

LIMITED WARRANTY

Stag Arms LLC firearms are warranted to be free from defects in materials and craftsmanship to the initial retail purchaser for the lifetime of a rifle. Stag Arms LLC will remedy any such defect of which Stag Arms LLC is given written notice. The liability of Stag Arms LLC under this warranty shall be limited solely to the obligation to repair or replace the firearm or defect at its discretion, and to pay transportation and insurance charges for return of the firearm to owner for a rightful warranty claim. This warranty is not transferable. Modification of firearm will void this warranty. The warranty card must be legibly completed and mailed to Stag Arms LLC. This warranty does not cover normal wear or any damage resulting from careless handling, neglect, repairs and adjustments, corrosion or improper ammunition. Completely fill out warranty card at time of purchase and mail it to Stag Arms LLC 515 John Downey Dr. New Britain, CT 06051.

To initiate a Warranty claim, call Stag Arms Customer Service at 860.229.9994 Monday – Friday 9:00 am – 5:00 pm EST. Warranty claims need to state (in writing) the model and serial number of the firearm concerned, a description of the difficulty experienced, and include the original receipt with date of purchase. The firearm concerned should be shipped (transportation charges prepaid), to the Warranty Department, Stag Arms LLC, 515 John Downey Dr. New Britain, CT 06051. The owner should insure firearm shipment. Stag Arms LLC will not be responsible for loss or damage in transit. Stag Arms LLC will pay shipping and insurance charges for the return of a firearm to its owner if the related claim is a proper claim for warranty work. Under no circumstances shall Stag Arms LLC be responsible for incidental or consequential damages with respect to economic loss or injury to property, whether as a result of express or implied warranty, negligence or otherwise. Some states do not allow the exclusion or limitation of incidental or consequential damages, so the above limitation may not apply to you. Stag Arms LLC will not be responsible for the results of careless handling, unauthorized adjustments, defective, low-quality, reloaded, or improper ammunition, corrosion,

neglect, ordinary wear and tear, or unreasonable use.

NOTE : Handguns and long guns are classified as FIREARMS or DANGEROUS WEAPONS. Guns that are surrendered by Stag Arms LLC with the express understanding that it assumes no responsibility for resale handling under local laws and regulations.

NOTE : Under current regulation the following configuration may not be sold in states that prohibit it: telescoping stock, threaded muzzle, high-capacity magazine, bayonet lug, flash suppressor.

NOTE : Lead Exposure: Discharging firearms in poorly ventilated areas, cleaning firearms, or handling ammunition may result in exposure to lead, a substance known to cause birth defects, reproductive harm, and other serious physical injury. Have adequate ventilation at all times. Wash your hands thoroughly after exposure to lead.

NOTE : Stag Arms does not recommend modifying firearms. Any repair or modification should only be done by a qualified gunsmith. Always Practice Safe Firearm Procedures.

SERVICE

CUSTOMER SERVICE

At Stag Arms LLC we believe excellence is of the greatest importance. Like our products, our customer service representatives exceed the highest standards of customer support. If you have any questions about the Stag Arms product line, you'll find a helpful member of our team at your service – just call our Customer Service Line at **860.229.9994** Monday – Friday between 9:00 a.m.– 5:00 p.m. EST. We can also promptly answer your questions or order inquiries, via E-mail at **sales@stagarms.com**.

RETURNS

All unused, unopened products may be returned within 30 days. A restocking fee of 15% will be assessed on all purchases over \$100. Returns must be approved ahead of time by calling **860.229.9994** and speaking with a customer service representative. If a manufacturing defect or workmanship error is present, contact Stag Arms and at the manufacturer's discretion it will be repaired or replaced.

EXCHANGES

Unused items may be exchanged within 30 days; include a copy of your invoice. Exchanges must be approved ahead of time by calling **860.229.9994** and speaking with a customer service representative. Return all pieces wrapped and packaged securely. Insure the package for your protection. Do **NOT** ship any ammunition.

Do not attempt to ship a firearm via US postal Service; only federally licensed dealers may ship a firearm by US Postal Service.

STAG ARMS LLC
515 John Downey Dr.
New Britain, CT 06051
Monday-Friday 9am – 5pm EST
Ph: 860.229.9994
Fax: 860.229.3738
sales@stagarms.com
www.stagarms.com