

RUSSIAN SKS-45



Semi-Auto Carbine
7.62 x 39mm

INSTRUCTION AND SAFETY MANUAL

Please Read This Booklet Carefully
Before Using Your Weapon

SKS

Samozaryadni Karabin Simonova
(Self-loading) Carbine Simonov)

SPECIFICATIONS:

Weight: 8 lbs. (approx.)
Length: 40.20 inches
Barrel: 20.50 inches, 4 groove,
 R.H. Twist
Magazine: 10-round fixed box

VARIANTS:

Russian: Simonov 45
Chinese: Type 56
E. German: Karabiner - S
Yugoslavian: M-59/66
N. Korean: Type 63

AMMUNITION WARNING

Use only original, high quality, commercially manufactured ammunition which is in good condition. Only use ammunition of the caliber for which your rifle is chambered. You will find the correct caliber engraved on the side of the receiver. Never use ammunition of any other caliber. You should always use ammunition that complies with the performance standards established by The Sporting Arms and Ammunition Manufacturers' Institute, Inc.

THE USE OF HANDLOADED RELOADED OR OTHER NON-STANDARD AMMUNITION WILL VOID ALL WARRANTIES.

WARRANTY

This firearm imported by K.B.I., Inc. is warranted against defects in materials and/or workmanship for one year after date of original retail purchase.

This Warranty does not cover repairs related to: Unreasonable use, corrosion, failure to provide proper maintenance, or unauthorized alterations. Any alterations not approved or performed by K.B.I., Inc. voids all warranties. K.B.I., Inc. reserves the right to inspect any product before making any adjustments covered by this warranty.

Retain the dated sales slip, firearms transaction record, charge card receipt, canceled check or any other dated proof of purchase for your records in the event your firearm should need warranty repairs. Send a photocopy of your proof of purchase (as copy will be retained).

Under no circumstances shall K.B.I., Inc. be liable for consequential or incidental damages or injury. Some states do not allow the exclusion of consequential or incidental damages so the above limitation may not apply to you.

HISTORY OF THE SKS-45

During World War II, the Soviets developed the 7.62 x 39 cartridge, designating it the M-43 (7.62 Boevoy Patron - 1943). This round was directly copied from the German 7.62 x 33 'intermediate' cartridge that was used in the Wehrmacht's 'Sturmgewehr' assault rifle and its variants. The Russians were so impressed with the 'Sturmgewehr' and its cartridge that they eventually came up with their own assault rifle, the legendary AK-47. But the first weapon they developed for their new 7.62 x 39 round was the SKS Simonov-45 carbine. Utilizing the bolt and locking concept of their PTRS antitank rifle, the Soviet designers came up with a durable, accurate semi-auto carbine that was easy to field strip and maintain. The SKS first saw service at the end of World War II and is still in use in many third world countries today. It became very popular in communist countries throughout the world and was produced in huge quantities for many years. The East Germans had a variation called the 'Karabiner-S', the Chinese designated theirs the 'Type-56', the North Korean version was called the 'Type-63' and the Yugoslavian 'M59/66' had an integral grenade launcher attached to the barrel. Along with the AK, the SKS was encountered in large numbers by U.S. troops during the Vietnam War and a few were seen in the recent conflict in Grenada. Although the SKS is no longer in service in the U.S.S.R., it is still being used by certain Russian Honor Guard units and drill teams.

RULES OF FIREARMS SAFETY

Read these instructions carefully before handling your firearm.

#1. A FIREARM IS ALWAYS LOADED.

Always treat any firearm as if it were loaded. Gun handling accidents are usually caused by the alleged "unloaded" weapon. Whenever you hand a firearm to another person, always open the action and inspect it to make sure it is unloaded and clear. Whenever someone hands you a firearm, follow the same procedure.

#2. NEVER POINT A FIREARM AT ANYTHING YOU DO NOT INTEND TO DESTROY.

Always be aware of your muzzle direction. Make sure your finger is outside the trigger guard and off the trigger until your sights are on target.

#3. NEVER TRUST A FIREARM'S "SAFETY" DEVICE.

The 'safety' is an aid to safe gun handling, but it is a mechanical device and can sometimes fail or inadvertently be disengaged.

#4. MAKE SURE THE BARREL IS FREE OF OBSTRUCTIONS.

Before firing, check the barrel and chamber to be sure they are clear of debris. Remove all grease or oil from the bore, the chamber, and the magazine assembly before use.

#5. ALWAYS BE SURE OF YOUR TARGET.

Identify your target before firing. Make sure there is a sound backstop for the bullets to impact into. To prevent ricochet, never shoot at hard objects or water.

#6. ALWAYS WEAR EYE AND EAR PROTECTION.

Headphones or ear plugs plus shooting glasses are a must. Your hearing and eyesight are valuable assets that have to be protected.

#7. AMMUNITION.

Be sure you are using the correct caliber cartridge for your firearm. Use only high quality military or commercial ammunition. Do not use reloaded or handloaded cartridges.

#8. STORE FIREARMS SAFELY.

When leaving the range, check your weapon to make sure it is clear. Never leave a weapon loaded when its not in use. It should be secured in a safe place out of the reach of children, the untrained, or unwelcome hands.

LOADING THE SKS

Flip the safety catch up into its 'on' position, then pull the charging handle on the bolt carrier back until the action locks open. Load with a stripper clip (as illustrated in figure 1 of takedown instructions) or with single rounds. Keeping conscious of muzzle direction, pull the charging handle back slightly and let the bolt carrier fly forward to chamber the first round. Do not ease the bolt carrier into battery. The rifle is now loaded. To fire, point the rifle downrange, then rotate the safety catch down to its 'off' position. When the sights are on target, place the trigger finger inside the trigger guard and on the trigger, then fire. Gas pressure from the fired cartridges will extract, eject, and feed new rounds of ammunition until all of the rounds have been expended or the shooter stops firing. If the

bolt is not locked back after the cessation of firing, immediately engage the safety catch to its 'on' position before starting unloading procedures.

UNLOADING

If the bolt carrier was locked back after firing, the rifle should be unloaded. Visually inspect the magazine and chamber to confirm that the weapon is clear. It is proper range etiquette to leave the weapon in this condition (while not firing) until it is cased and removed from the firing area. If the bolt carrier has not locked back, assume that there is a live cartridge in the chamber. Immediately put the safety catch on. To continue the unloading process, release the magazine cover by pulling back the magazine cover latch (#35). This will free any unexpended rounds from the magazine assembly. Now lock the magazine cover back in place. Next, pull back the charging handle to the rear and extract and eject the live round in the chamber, simultaneously locking the bolt carrier back. Inspect the chamber and magazine to be sure that the weapon is indeed unloaded and clear.

SIGHT ADJUSTMENT

Elevation: Using the front sight elevation tool, insert the forked end of the tool into the top of the front sight hood. Engage the tool into the flats of the front sight post. Turn the tool counter clockwise to lower the bullet's point of impact on target. To raise the point of impact, turn the tool clockwise.

Windage: Using a small mallet and brass punch, or an after market windage adjustment tool, windage can be adjusted by drifting the front sight seat (#6) in the direction desired. From the perspective of a sight picture, move the front sight seat in the opposite direction you want your point of impact to shift. For example, to move the group on the target to the left, drift the front sight seat to the right.

The rear sight is an open notch type which is adjustable for elevation from 100 meters to 1000 meters (110 yards to 1100 yards). There is also an all purpose "battle" setting on the sight ladder, set for 300 meters (330 yards). This is attained by moving the elevation slide to the rear of the ladder as far as it will go.

CLEANING PROCEDURES

After checking to make sure that the chamber and magazine are clear, field strip the rifle as per figures #2 and #4 in the takedown instructions. If using corrosive primed ammunition, a solvent such as WWII - Korean War era G.I. bore cleaner should be used. 'Shooter's Choice' has also proved to be an effective solvent for corrosive primer residue. Using a cleaning rod with a .30 caliber brush with solvent, make at least ten passes through the barrel from the breech end. Then switch to a cleaning jag or slotted tip and push a clean, dry patch through the bore. Now pass a clean patch soaked with solvent through the bore. Alternate this procedure with wet and dry patches until the patches come out clean. Dry out the bore with a clean, dry patch, then apply a thin coat of oil to the bore with a final, oil soaked patch.

During the bore cleaning process, it is a good idea to give the chamber area a thorough brushing as well. A pistol cleaning rod with a .45 caliber brush is very effective for this process. After brushing the chamber at least ten times, cover the brush with alternate wet and dry patches and clean the chamber until the patches are dirt free. Do not leave a residue of oil in the chamber.

Clean the bolt carrier and bolt with a toothbrush and solvent, paying close attention to the bolt face and extractor area. Dry with a clean rag. It is a good idea to apply a thin coat of grease to the bearing surfaces of the bolt and bolt carrier. Use a lubricant such as "Parr All Weather Weapons Lube", "Plastilube" or "Lubriplate".

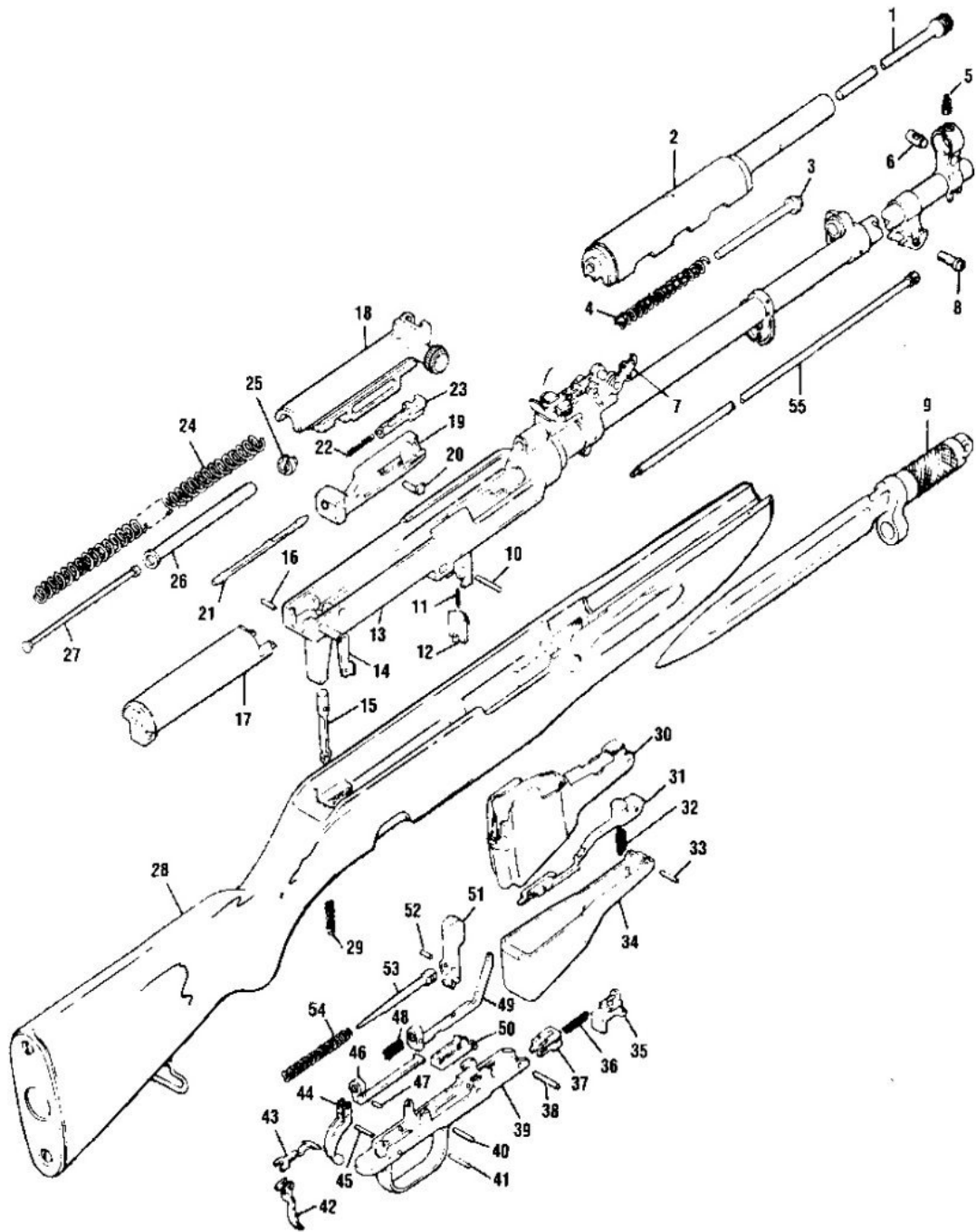
Remove the gas piston from the handguard and gas cylinder assembly. Clean thoroughly with solvent and a phosphor bronze brush. Remove all carbon fouling, dry with a clean rag, then apply a light coat of oil. The gas cylinder must be cleaned as thoroughly as the bore, especially if corrosive primed ammunition has been used. Once again, the pistol rod with the .45 caliber brush comes in handy for this operation. Follow the same procedure as cleaning the bore finish by applying a light coat of oil to the inside of the gas cylinder.

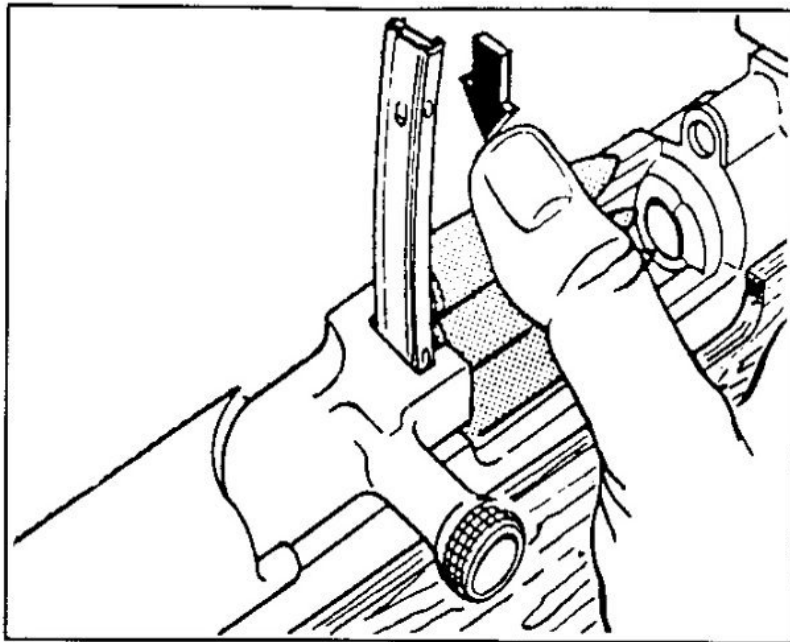
Reverse the takedown process and reassemble the rifle. Apply a thin coat of oil to the outside metal surfaces before storing. If corrosive primed ammunition was used, it is a good idea to check weapon for the

next two days for any accumulation of rust. If rust appears repeat cleaning process again. Before firing, remove any oil residue from the bore area with a clean patch. Check the bore for any obstructions, such as excess patch material before chambering any rounds and firing.

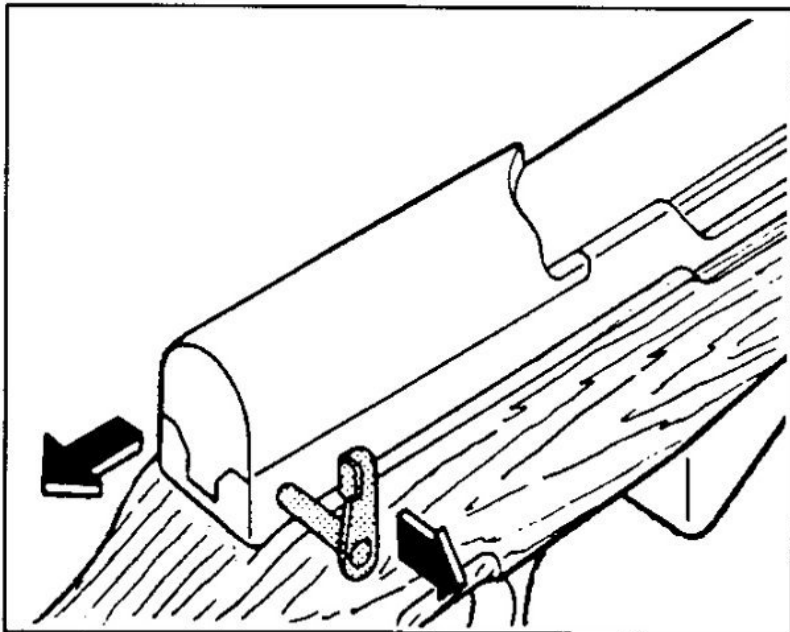
PARTS LEGEND

- | | |
|----------------------------------|----------------------------------|
| 1. Piston | 29. Trigger guard spring |
| 2. Handguard and gas cylinder | 30. Magazine |
| 3. Piston extension | 31. Magazine follower |
| 4. Piston return spring | 32. Follower spring |
| 5. Front sight | 33. Hinge pin |
| 6. Front sight seat | 34. Magazine cover |
| 7. Handguard catch | 35. Cover latch |
| 8. Bayonet Screw | 36. Latch spring and sear spring |
| 9. Bayonet assembly | 37. Sear |
| 10. Hold open latch pin | 38. Latch stop pin |
| 11. Hold open latch spring | 39. Trigger guard |
| 12. Hold open latch | 40. Disconnecter hinge pin |
| 13. Receiver and barrel assembly | 41. Trigger pin |
| 14. Takedown latch | 42. Safety catch |
| 15. Trigger guard latch | 43. Safety catch spring |
| 16. Latch pin | 44. Trigger |
| 17. Rear housing | 45. Safety catch pin |
| 18. Bolt carrier | 46. Trigger bar |
| 19. Bolt | 47. Trigger bar pin |
| 20. Firing pin retainer | 48. Trigger spring |
| 21. Firing pin | 49. Disconnecter |
| 22. Extractor spring | 50. Rebound disconnecter |
| 23. Extractor | 51. Hammer |
| 24. Recoil spring | 52. Hammer strut pin |
| 25. Spring retainer | 53. Hammer strut |
| 26. Large spring guide | 54. Hammer spring |
| 27. Small spring guide | 55. Cleaning rod |
| 28. Stock assembly | |

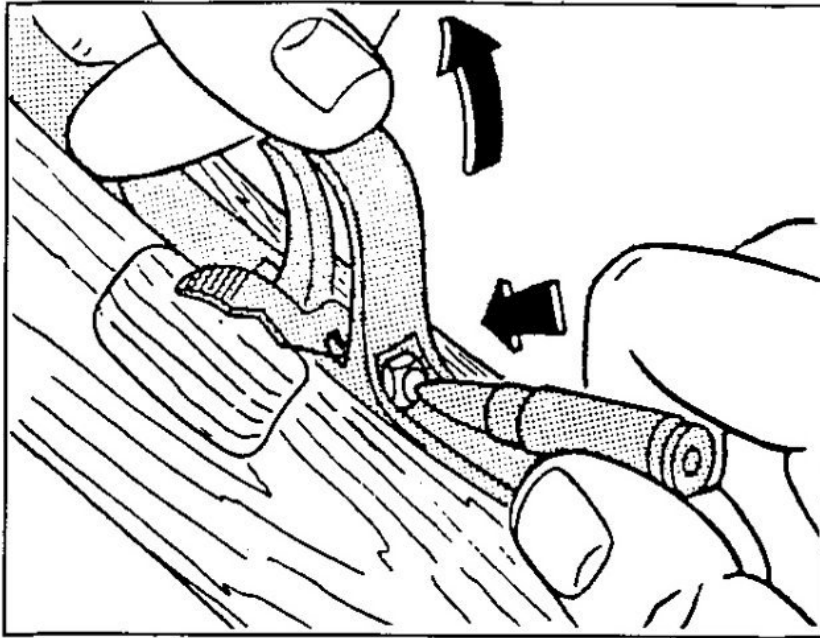




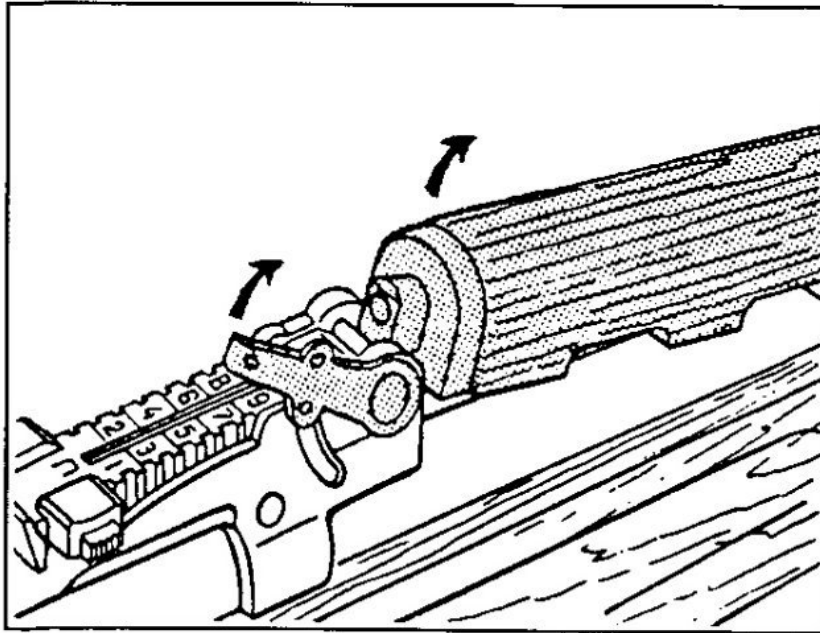
1 The SKS has a fixed box magazine (30). To load, open action by pulling back bolt carrier (18). Insert a loaded stripper clip into clip guides of bolt carrier and push cartridges down into magazine as shown. The magazine can also be loaded with loose cartridges.



2 To field strip, clear the chamber and unload magazine. Depress follower (31) and ease bolt closed. Swing takedown latch (14) up and pull out. Ease rear housing (17) off. Pull out recoil spring assembly (24-27). Pull bolt carrier (18) and bolt (19) to rear and remove.



3 For further disassembly, cock hammer and put carbine on safe. Turn carbine upside-down and push in on trigger guard latch (15) with cartridge nose or punch. When latch is pushed in sufficiently, the trigger guard (39) should jump out slightly. Guard can then be pulled free.



4 Insert point of cartridge into hole of the handguard catch (7) and rotate catch up as shown in illustration. Lift up rear of handguard (2), and pull it free of barrel. Then push piston (1) out of gas cylinder. Pivot bayonet (9) to middle position, and remove cleaning rod (55).

ACCESSORIES

Included with your SKS-45

- Cleaning Kit/Tool Kit
- Sling
- Oil Can with Pouch
- 3 Stripper Clips
- Belt Pouch

TRANSPORTATION AND STORAGE

Always keep your firearm unloaded when transporting it to and from shooting activities. Store your firearm separate from ammunition, locked away and out of the reach of children and other inexperienced persons.

PARTS AND SERVICE

To order parts, please furnish the following: your name, address, telephone number, serial number, make and model. When we receive your request you will send an order form and parts breakdown with prices. Send all parts orders to:

K.B.I., Inc.
Parts Dept.
P.O. Box 5440
Harrisburg, PA 17110-0440
Fax: 717-540-5801

To return firearms for repair, please pack securely in original box if possible. Also include a detailed description of the problem. Ship the firearm prepaid via UPS or insured U.S. Mail to:
(Note: NO C.O.D.)

K.B.I., Inc.
3405 N. 6th Street
Harrisburg, PA 17110



P.O. Box 5440 • Harrisburg, PA 17110-0440