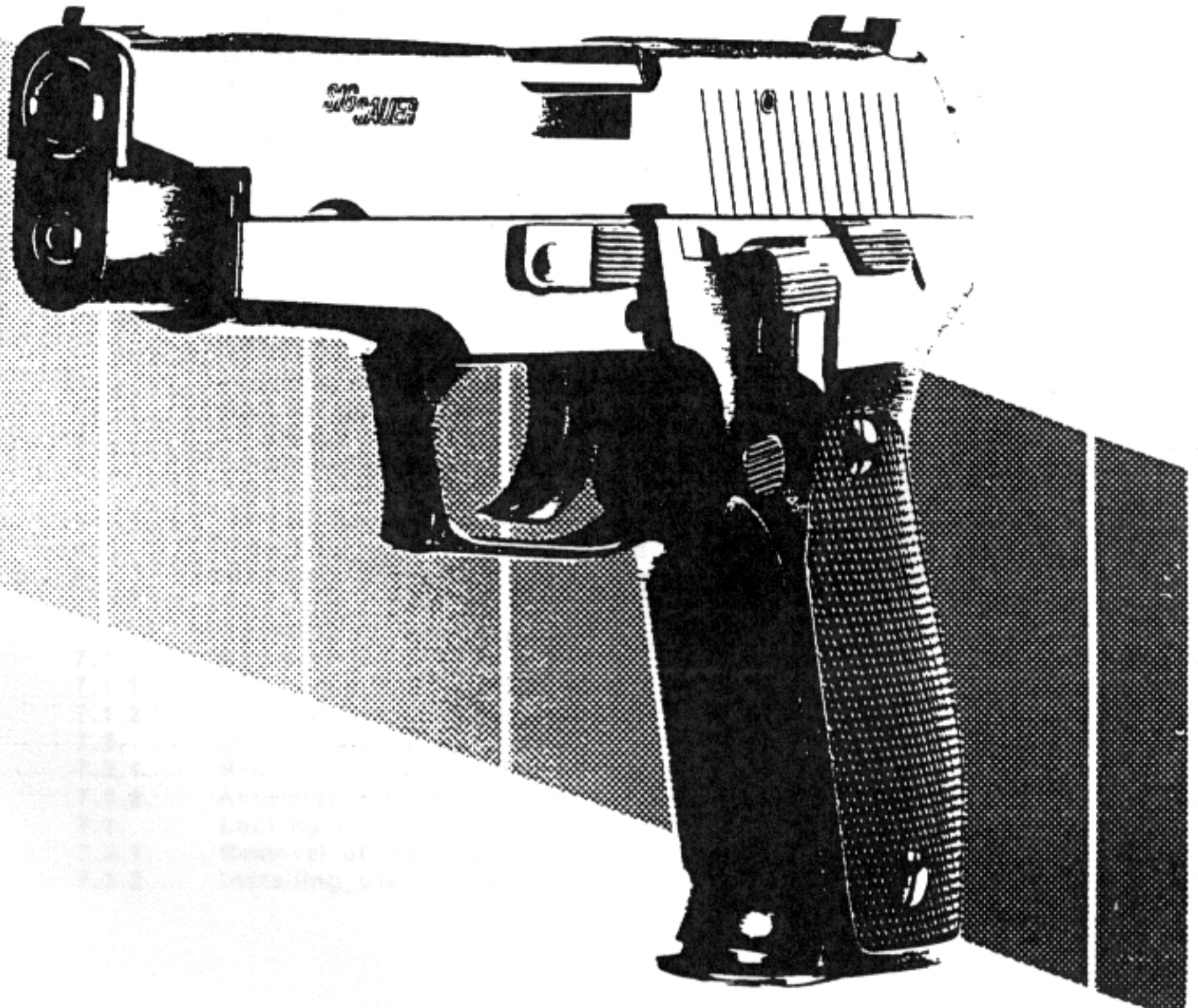


SIGSAUER AUTO-LOADING PISTOL

Instructions for Armourers



Contents

1.	Introduction	5
1.1.	General	6
1.2.	Technical specifications	6
2.	Design and components	7
2.1.	Weapon	7
2.1.1.	General	7
2.1.2.	Stationary parts	8
2.1.3.	Moving parts	10
2.2.	Magazine	12
3.	Handling	14
3.1.	Loading	15
3.2.	Changing the magazine	15
3.3.	Unloading	15
3.4.	Establishing readiness to fire	16
3.4.1.	Combat shooting	16
3.4.2.	Target shooting	16
4.	Dismantling and assembly for cleaning	17
4.1.	Dismantling	17
4.2.	Assembly	18
5.	Cleaning	19
5.1.	Cleaning the weapon	19
5.1.1.	General	19
5.1.2.	Cleaning procedure	19
5.1.3.	Cleaning the barrel	20
5.2.	Lubrication specifications	20
6.	Weapon functions	21
6.7.	Function of the trigger assembly	21
6.1.1.	Weapon loaded, hammer decocked	21
6.1.2.	Automatic interruption of trigger function	22
6.1.3.	Decocking lever and hammer safety notch	23
6.1.4.	Firing pin lock	24
6.1.5.	Weapon loaded, hammer cocked	24
6.2.	Unlocking, recoil movement and locking	25
6.3.	Arresting mechanism (slide catch lever)	28
7.	Gunsmithing work	29
7.1.	Magazine	29
7.1.1.	Dismantling the magazine	29
7.1.2.	Assembling the magazine	29
7.2.	Breechblock in the slide	30
7.2.1.	Removal and dismantling of the breechblock	30
7.2.2.	Assembly and insertion of the breechblock	30
7.3.	Locking insert	32
7.3.1.	Removal of the locking insert	32
7.3.2.	Installing the locking insert	32

7.4.	Grip plates left and right	34
7.4.1.	Removal of the grip plates	34
7.4.2.	Installing the grip plates	34
7.5.	Trigger assembly	34
7.5.1.	Dismantling the trigger assembly	34
7.5.2.	Reassembly	36
7.6.	Stop in the frame	37
7.6.1.	Removal of the stop in the frame	37
7.6.2.	Installing the stop in the frame	37
7.7.	Hammer strut, main spring and seat, main spring	38
7.7.1.	Dismantling	38
7.7.2.	Reassembly	38
7.8.	Hammer assembly	39
7.8.1.	Dismantling of the hammer assembly	39
7.8.2.	Reassembly	39
7.9.	Magazine catch	41
7.9.1.	Removal of the magazine catch	41
7.9.2.	Reassembly of the magazine catch	41
7.9.3.	Changing over the magazine catch from left to right	42
8.	Inspection	43
8.1.	General	43
8.2.	Function inspection	43
8.3.	Parts inspection	45
9.	Zeroing	47
10.	Malfunctions and their rectification	48
10.1.	General	48
10.2.	Initial action upon malfunctioning	48
10.3.	Different types of malfunction and their rectification	49
10.3.1.	Feed problems	49
10.3.2.	Ignition problems	49
10.3.3.	Extraction and ejection problems	50
10.3.4.	Other malfunctions	50
11.	Safety precautions	51
11.1.	General safety precautions	51
12.	Exploded drawing	52
73.	List of parts	53

The reference numbers of the individual parts are identical with the numbers indicated in the parts list, section 12, page 53.

**All parts may be exchanged
Broken parts must be replaced
DO NOT REPAIR BROKEN-PARTS**

1. introduction



The SIG-SAUER P 226 9 mm pistol with magazine inserted.

1.1. General

The SIG-SAUER P 226 9 mm pistol is a self-loading recoil-operated weapon.

At the moment of discharge the action of the weapon is locked. An automatic firing pin lock assures an optimum degree of handling safety as well as rapid combat readiness since there is no manually-operated safety catch. Discharge can only occur by pulling the trigger.

As a self-loading handgun featuring a double-action trigger pattern, the pistol is an excellent close combat weapon. Its magazine holds 15 rounds of 9 mm parabellum ammunition.

1.2. Technical specifications

Caliber	9 mm x 19 Parabellum (Luger)
Length, overall	196 mm
Height, overall	139 mm
Width, overall	37 mm
Barrel length	112 mm
Rifling lead	250 mm
Number of rifling grooves	6
Sight base	160 mm
Weight excl. magazine	750 grams
Magazine weight, empty	95 grams
Trigger pull	DA 55 N (5.5 kg), SA 20 N (2.0 kg)
Muzzle energy*	500 J
Magazine capacity	15 rounds

* Depends on make of ammunition

Subject to change without notice.

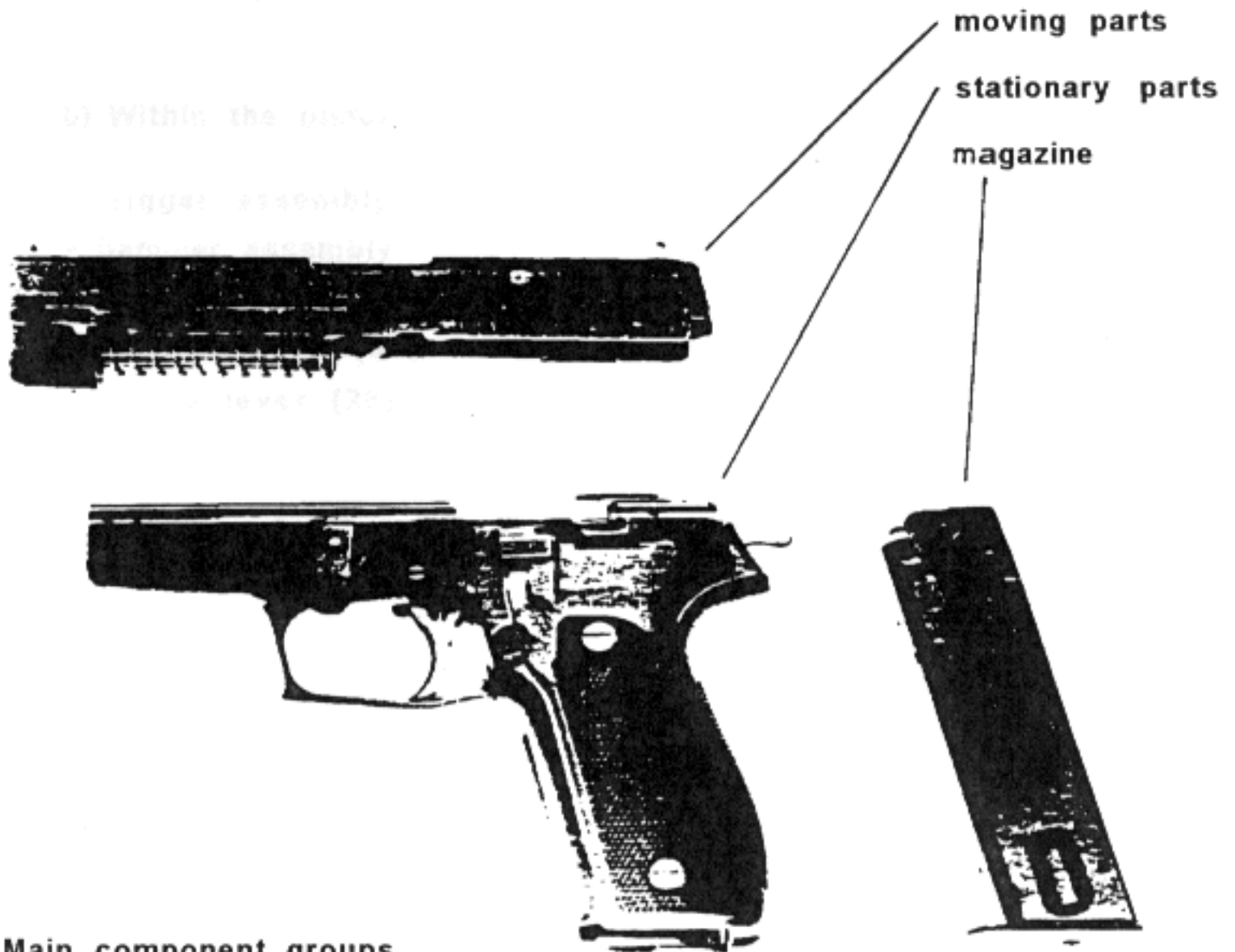
2. Design and components

2.1. Weapon

2.1.1. General

The SIG-SAUER P 226 9 mm pistol comprises three main component groups

- the moving parts
- the stationary parts
- the magazine



Main component groups

2.1.2. Stationary parts

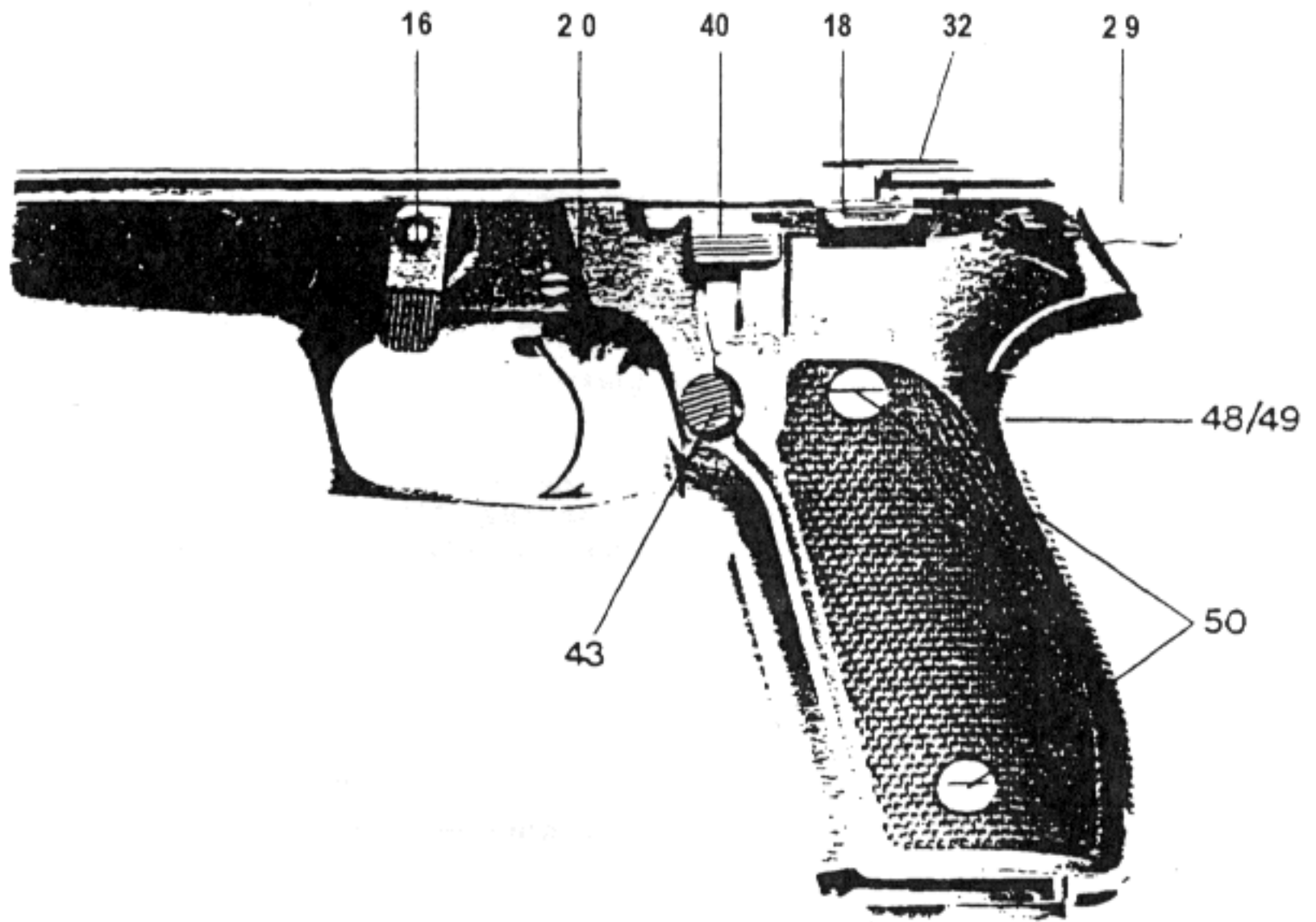
The stationary part comprises the following sub-assemblies:

a) The frame, with :

- takedown lever (16)
- trigger (20)
- decocking lever (40)
- slide catch lever (18)
- hammer (29)
- ejector (32)
- grip plates (48/49)
- grip plate screws (50)
- magazine catch (43)

b) Within the pistol, but not visible in the illustration, are

- trigger assembly
- hammer assembly
- locking insert (17)
- stop, hammer (37)
- safety lever (28)



Stationary parts (frame)

- | | | | |
|----|-------------------|-------|-----------------|
| 16 | Takedown lever | 40 | Decocking lever |
| 78 | Slide catch lever | 43 | Magazine catch |
| 20 | Trigger | 48/49 | Grip plates |
| 29 | Hammer | 53 | Screws |
| 32 | Ejector | | |

2.1.3. Moving parts

The moving parts comprise:

a) Slide (4), with:

adjustable front sight (5)

adjustable rear sight (6)

**arresting notch (after firing the last round,
the slide is held here)**

ejection port with locking surface

pin (7/8)

breechblock consisting of:

firing pin (11) and spring, firing pin (12)

safety lock (13) and spring, safety lock (14)

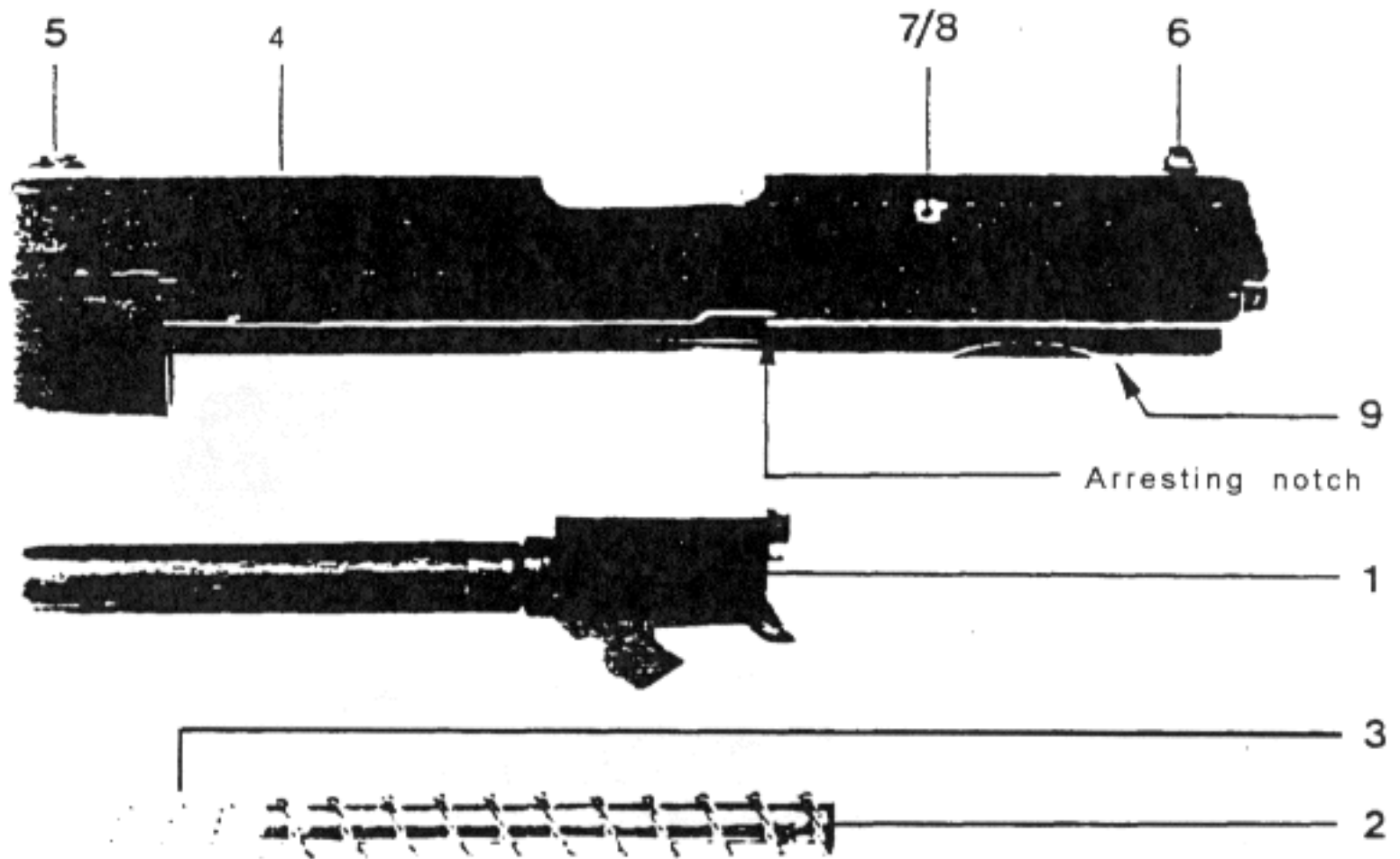
extractor (10)

b) Barrel (1), with:

chamber

lug for locking purposes

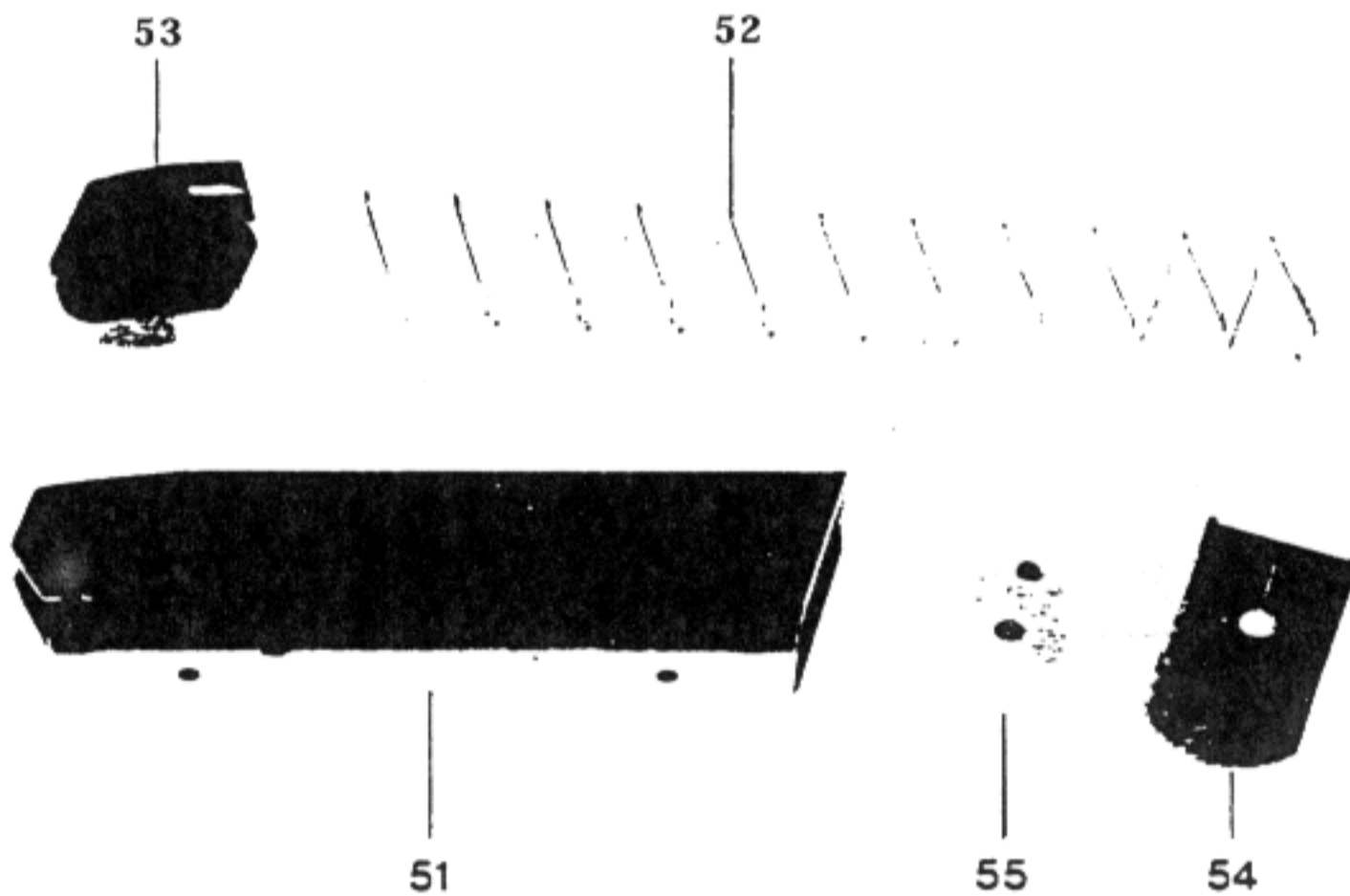
c) Recoil spring (3) and recoil spring guide (2)



Moving parts :

- | | | | |
|---|---------------------|-----|----------------------------|
| 1 | Barrel | 5 | Front sight |
| 2 | Recoil spring guide | 6 | Rear sight |
| 3 | Recoil spring | 7/8 | Inner and outer pins H. D. |
| 4 | Slide | 9 | Breechblock |

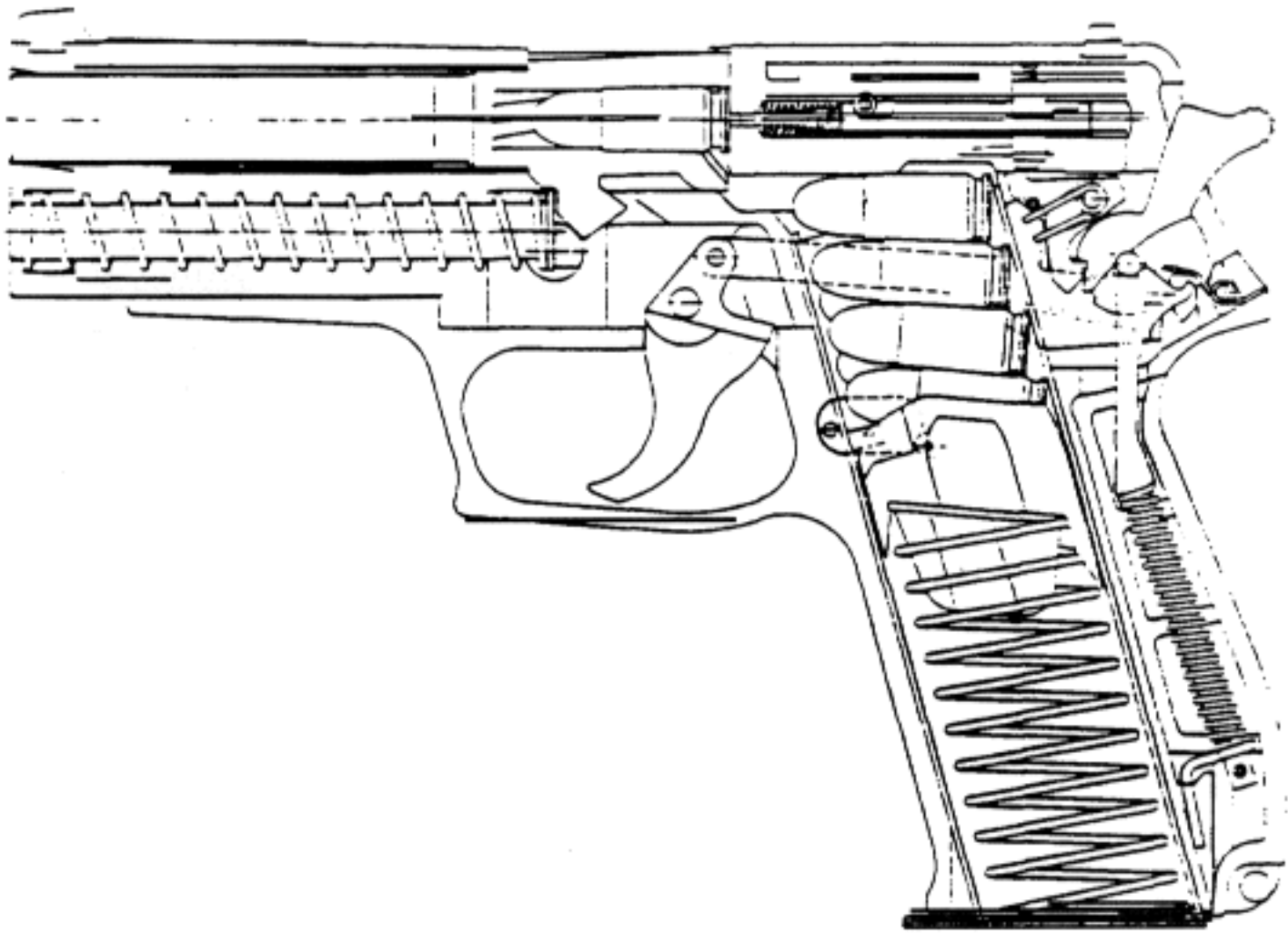
2.2. Magazine



Magazine:

- 51 Magazine tube
- 52 Spring, magazine

- 53 Feeder
- 54 Floorplate, magazine
- 55 Insert, magazine



Cross-section of the pistol

3. Handling

The operations described hereafter are always to be carried out in the direction of firing, with the barrel pointing at the floor. Hold the pistol in the shooting hand with the index finger extended outside of the trigger guard.

3.1. Loading

Sequence of operations:

- 1) Insert a full magazine and ensure that it has engaged the magazine catch (check)**
- 2) Carry out a loading movement - draw back the slide to the stop and allow it to snap forward**
- 3) Fire, or thumb down the decocking lever and place the weapon in its holster**

3.2. Changing the magazine

Sequence of operations :

- 1) Remove the empty magazine**
- 2) Insert the fresh magazine and ensure that it has engaged the magazine catch (check)**
- 3) Carry out a loading movement (or thumb down the slide catch lever)**
- 4) Fire, or thumb down the decocking lever and place the weapon in its holster**

3.3. Unloading

Sequence of operations:

- 1) Remove the magazine**
- 2) Carry out two loading movements and inspect the chamber**
- 3) Thumb down the decocking (pointing the weapon in firing direction)**
- 4) Insert empty magazine and place the weapon in its holster**

3.4. Establishing readiness to fire

3.4.1. Combat shooting

Sequence of operations :

- 1) Remove the weapon from its holster and take up shooting stance**
- 2) Pull the trigger**
- 3) Thumb down the decocking lever, place the weapon in its holster**

3.4.2. Target shooting

Sequence of operations :

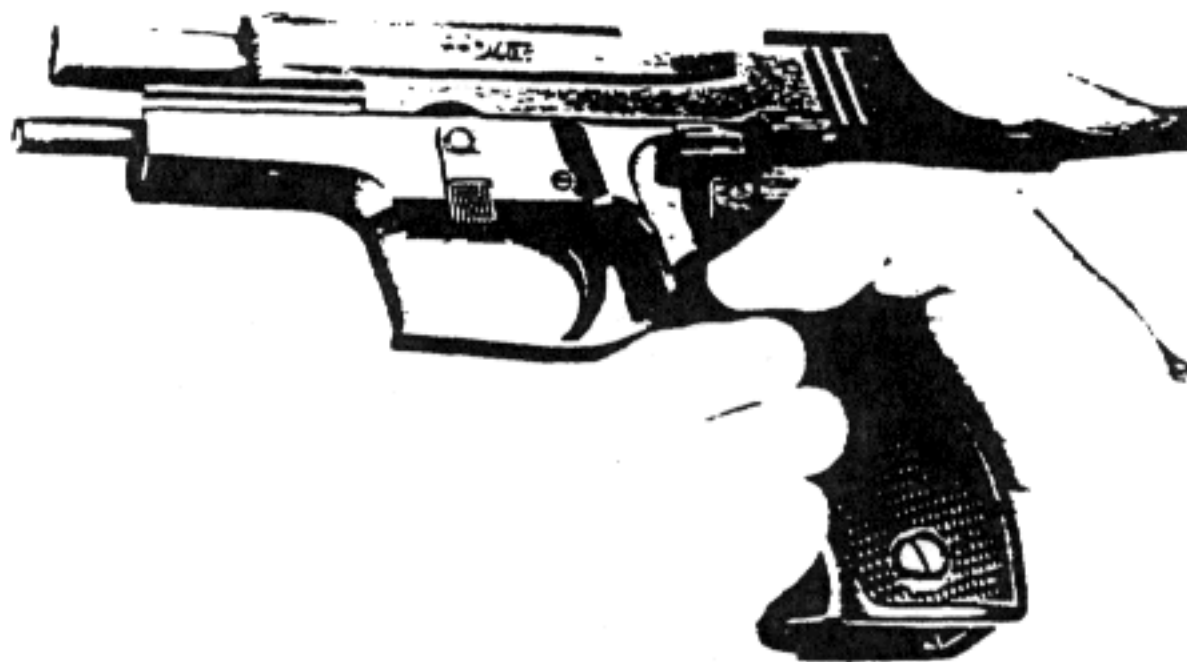
- 1) Take up shooting stance, with the index finger extended, outside of the trigger guard**
- 2) Using the thumb of the non-shooting hand, cock the hammer**
- 3) Sense the pressure point and discharge a shot**
- 4) Straighten the index finger and lower the weapon**
- 5) In firing intervals, thumb down the decocking lever. Lower the weapon or place it on the loading bench.**

4. Dismantling and assembly for cleaning

4.1. Dismantling

Sequence of operations :

- 1) Unload and check the chamber
- 2) Insert empty magazine (51)
- 3) Draw back the slide (4) until it is arrested by the slide catch lever (18)
- 4) Thumb down the takedown lever (16)
- 5) Remove the magazine (51)
- 6) Draw back the slide (4) slightly to disengage the slide catch lever (18), then ease the slide (4) forward and out of the frame (15)
- 7) Remove the recoil spring (3) and guide, recoil spring (2) gripping them at the rear end
- 8) Remove the barrel (1), gripping it at the rear end

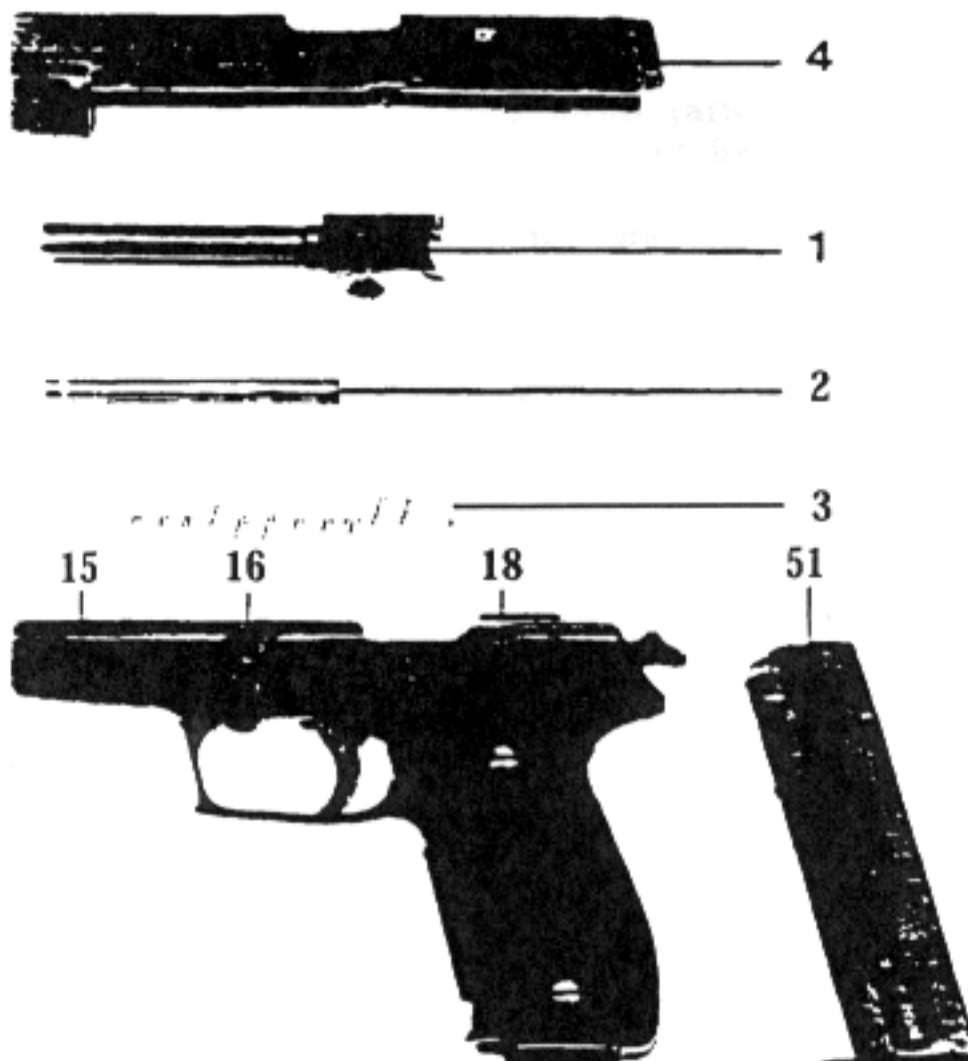


Dismantling the weapon

4.2. Assembly

Sequence of operations :

- 1) Insert the barrel (1) and then the recoil spring (3) with its guide, recoil spring (2) into the slide (4)
- 2) insert an empty magazine (51)
- 3) Slip the slide (4) onto the frame (15) until it can be arrested with the slide catch lever (18)
- 4) Thumb up the takedown lever (16)
- 5) Thumb down the slide catch lever (18)
- 6) Thumb down the decocking lever (40)
- 7) Carry out the functions check



Dismantling for cleaning

5. Cleaning

The person to whom the pistol has been issued is responsible for its operational readiness at all times.

5.1. Cleaning the weapon

5.1.1. General

The weapon must be stored in a dry location. Humidity and rapid temperature changes are detrimental and encourage corrosion.

If a weapon is not to be used for some time then it must be well greased, particularly the bore of the barrel and the blank parts.

The pistol should be cleaned immediately after use. if this is not possible then at least the bore must be greased using the wire brush.

5.1.2. Cleaning procedure

Sequence of operations :

- 1) Dismantle the pistol**
- 2) Clean all parts with a dry cloth (after the weapon has been fired, the bore of the barrel must be cleaned also)**
- 3) Lubricate in accordance with the specifications**
- 4) Assembly the weapon**
- 5) Carry out functions check**
- 6) Carry out final inspection**

5.1.3. Cleaning the barrel

Sequence of operations:

- 1) To remove all traces of powder residues, push through a greased wire brush at least ten times, from the chamber end
- 2) Clean the barrel using a jag wrapped with a strip of cotton cloth
- 3) Check the barrel for cleanliness
- 4) Lubricate the barrel lightly with a grease-covered brush

5.2. Lubrication specifications

Part	Lubrication	
	Summer	Winter
Bore and chamber	gun grease or gun oil	gun oil
Slide, inside and outside	gun grease or gun oil	gun oil
frame: guide rails, takedown lever, decocking lever, slide catch lever and hammer	gun grease or gun oil	gun oil

6. Weapon functions

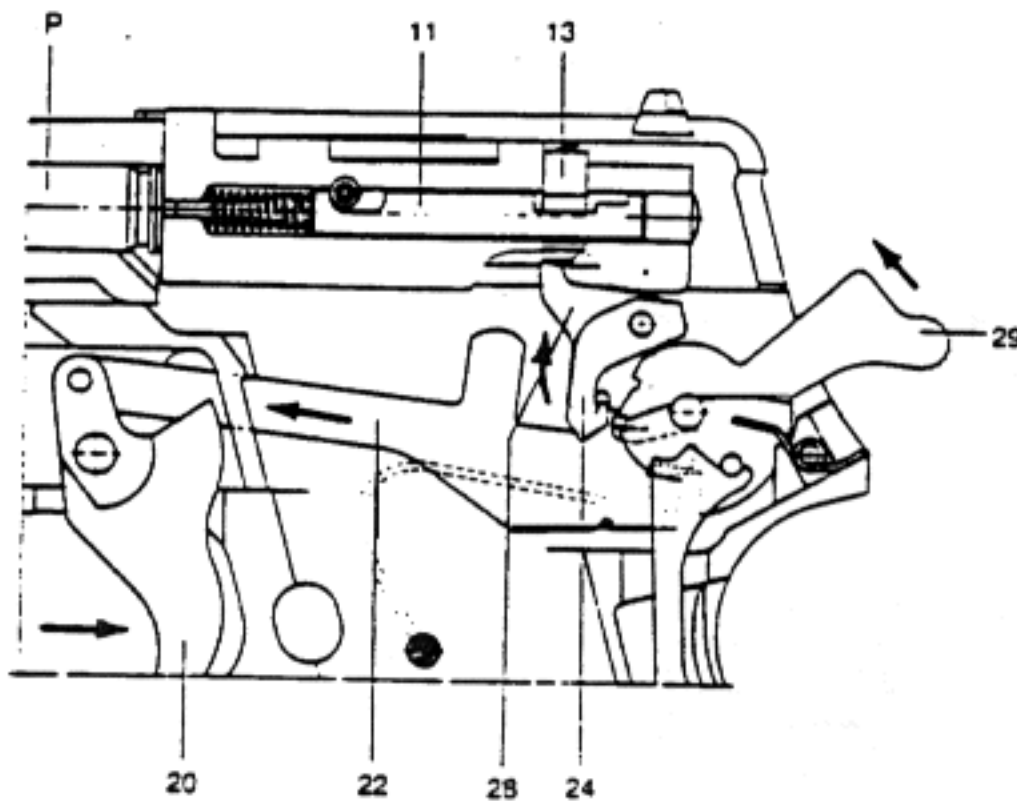
6.1. Function of the trigger assembly

6.1.1. Weapon loaded, hammer decocked

With the weapon loaded and the hammer decocked, a shot can be fired with the double-action trigger.

By squeezing the trigger (20), the trigger bar (22) is drawn forward and cocks the hammer (29). The trigger bar (22) also operates the safety lever (28) to lift the safety lock (13). The safety lever (28) draws the sear (24) out of register with the hammer (29) whilst the safety lock (13) liberates the firing pin (11).

Continued movement of the trigger (20) causes the trigger bar (22) to release the hammer (29) which strikes the firing pin (11) and detonates the cartridge primer.



Function of the trigger assembly

- | | |
|----------------|-----------------|
| 11 Firing pin | 24 Sear |
| 13 Safety lock | 28 Safety Lever |
| 20 Trigger | 29 Hammer |
| 22 Trigger bar | |

11 Firing pin
13 Safety lock
20 Trigger

6.1.2. Automatic interruption of trigger function

Upon firing

After firing, the blowback reaction thrusts the slide (4) rearward. The slide (4) depresses the trigger bar (22), disconnecting it from the safety lever (28) and hence releasing the sear (24). The sear, under pressure of its spring (25), returns to its initial position and arrests the hammer (29).

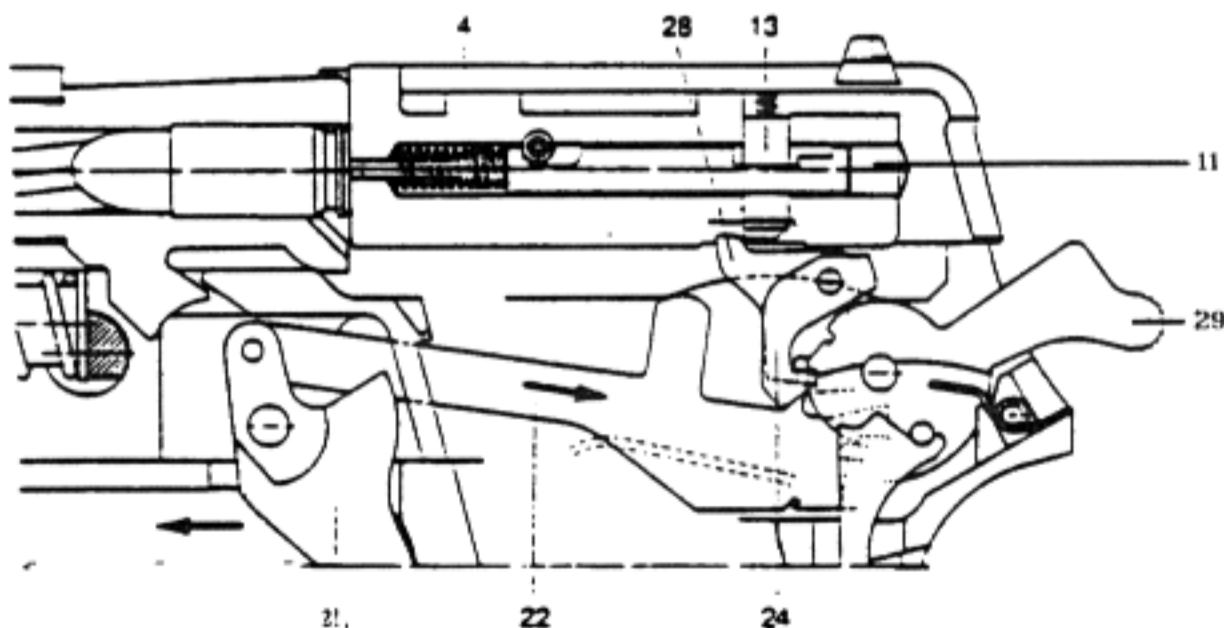
In order to fire the next shot the trigger (20) must be released to allow the trigger bar (22) and safety lever (28) to engage again.

If the trigger (20) is squeezed once more while in the final third of its stroke, then the trigger bar (22) actuates the safety lever (28) which lifts the safety lock (13) to liberate the firing pin (11) and also withdraws the sear (24) to release the hammer (29).

Incomplete locking

If the slide (4) does not return to the full battery position due to a weapon, magazine or ammunition malfunction, connection between the firing pin lock and safety lever (28) is not made. Therefore, de-activation of the safety lock (13) is automatically prevented.

In this disconnected state, the slide (4) also cams down the trigger bar (22) and effectively interrupts subsequent trigger functions.



4 Slide
11 Firing pin
13 Safety lock
20 Trigger

22 Trigger bar
24 Sear
28 Safety lever
29 Hammer

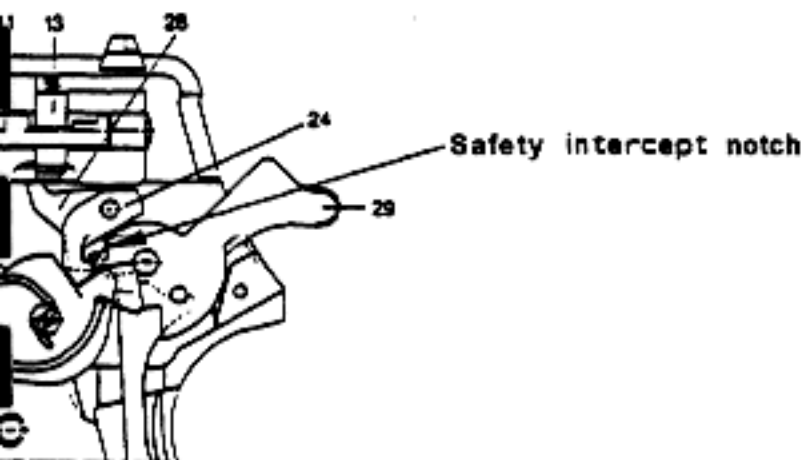
er: and hammer safety notch

g lever (40) allows the cocked hammer (29) to be safely
the safety intercept notch. In this condition the
be carried with a cartridge in the chamber, ready
e use.

intercept notch is the rest position of the hammer (29).
es effective in case of inadvertent hammer trip-
umbcocking the weapon.

wn the decocking lever (40) takes the sear (24) out of
the full-cock hammer notch. The hammer (29) drops
rning the decocking lever (40) to its original position,
ed by the sear (24) engaging in the safety intercept

peration the safety lever (28) remains in its rest
does not lift the safety lock (13). Hence, during and
ng , the firing pin (11) remains constantly locked. By
even dropping the weapon cannot cause inadvertent
a cartridge.



e decocking lever and safety notch

- 28 Safety Lever
- 29 Hammer
- 40 Decocking lever

6.2. Unlocking, recoil movement and locking

At the instant of firing, the weapon is locked, i.e. the barrel (1) is seated on the locking insert (17) in the frame (1.5) and is locked with the slide (4).

Blowback reaction thrusts the barrel/slide system rearward against the recoil spring (3). After recoiling about 3 mm the barrel (1) is forced down and arrested by the locking insert (17).

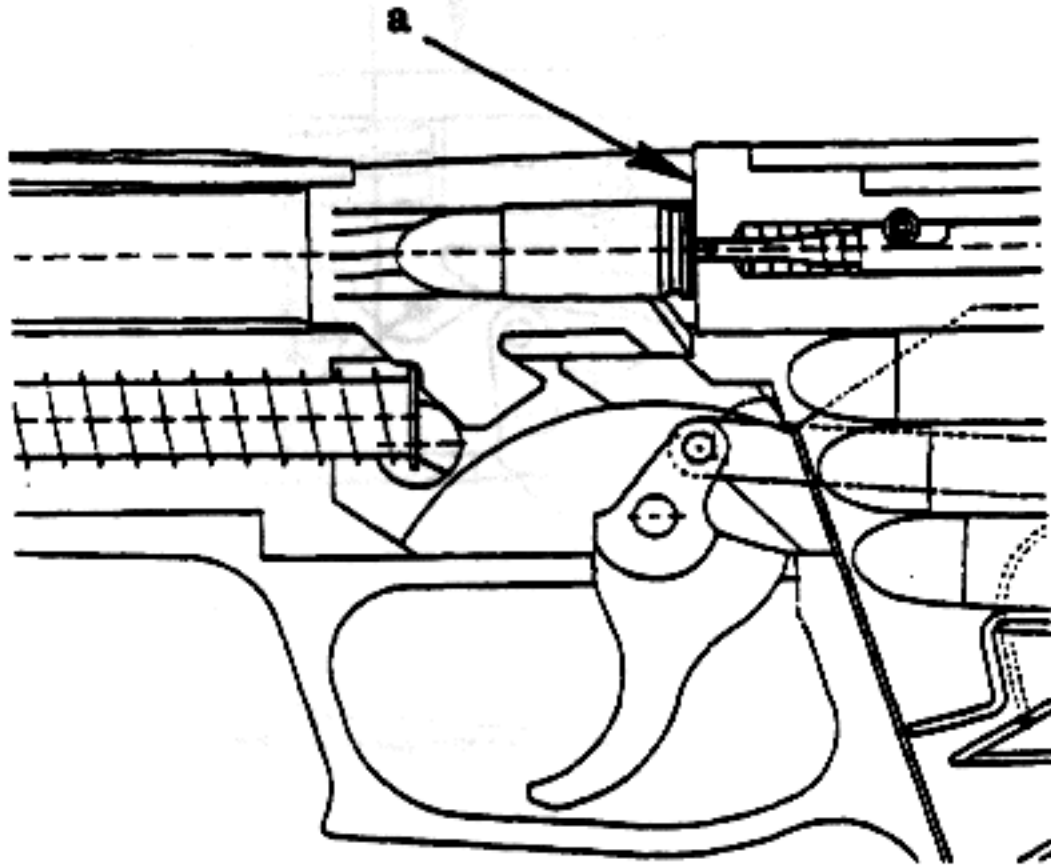
The pistol is unlocked.

The slide (4) continues rearward, cocks the hammer(29), extracts and ejects the spent case and compresses the recoil spring (3) further.

The recoil movement is arrested by the slide stop in the frame.

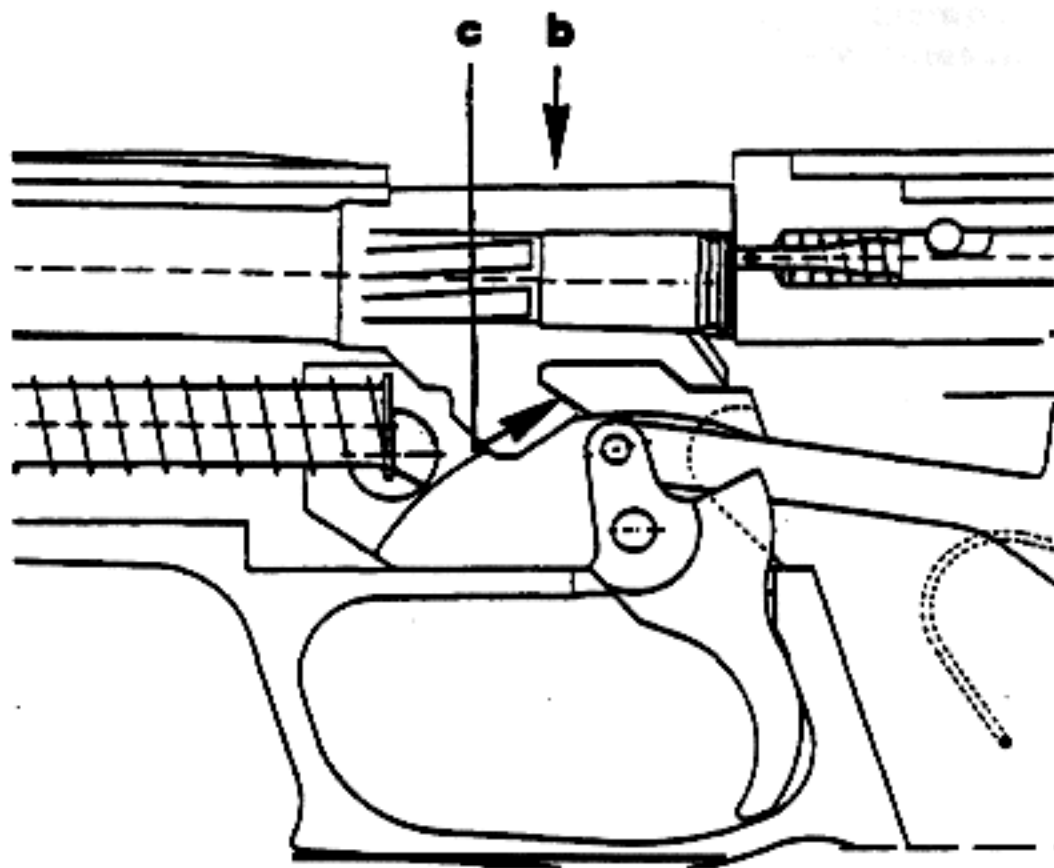
The compressed recoil spring (3) thrusts the slide (4) forward, stripping a round from the magazine (51) and chambering it on the way to the battery position.

Just before reaching the forward end position, the slide (4) again locks up with the barrel (1).



Barrel locked with the slide

a) Locking surfaces



Barrel unlocked

- b) Ejection port**
- c) Guide surfaces**

6.3 Arresting mechanism (slide catch, lever)

After firing of the last shot, the slide (4) is arrested in the open position.

The feeder (53) of the empty magazine (51) raises the slide catch lever (18) which engages the arresting notch of the slide (4) and prevents its further movement. Upon thumbing down the slide catch lever (18) the moving parts are released and spring forward.

7. Gunsmithing work

(Further dismantling for parts replacement and maintenance)

7.1 Magazine (51)

7.1.1 Dismantling the magazine (51)

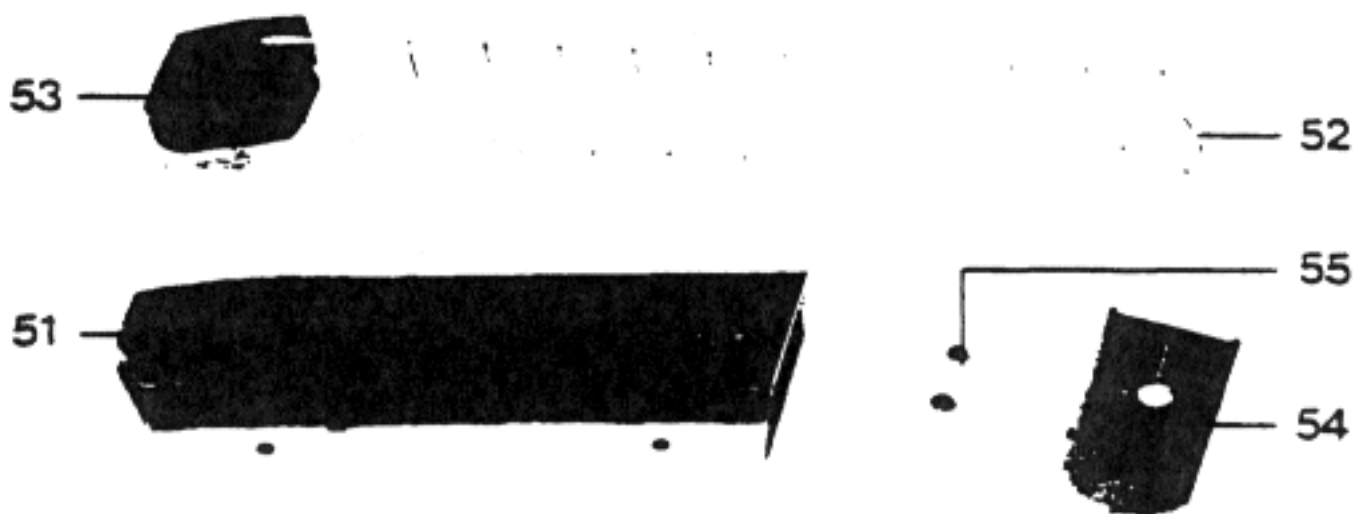
Sequence of operations

- 1) Force the insert, magazine (55) inwards with punch
- 2) Draw out the floorplate (54) in the direction of the protruding flange, using the index finger of one hand to ensure that the spring, magazine (52) does not jump out.
- 3) Remove the spring, magazine (52) and feeder (53) from the magazine tube (51).

7.1.2 Assembling the magazine (51)

The magazine is assembled in the reverse order to dismantling.

After inserting the floorplate (54), ensure that the insert, magazine (55) engages the hole of the floorplate (54) to secure it.



Magazine dismantled

51 Magazine tube

52 Spring, magazine

53 Feeder

54 Floorplate, magazine

55 Insert, magazine

7.2 Breechblock(9) in the slide (4)

7.2.1 Removal and dismantling of the breechblock (9)

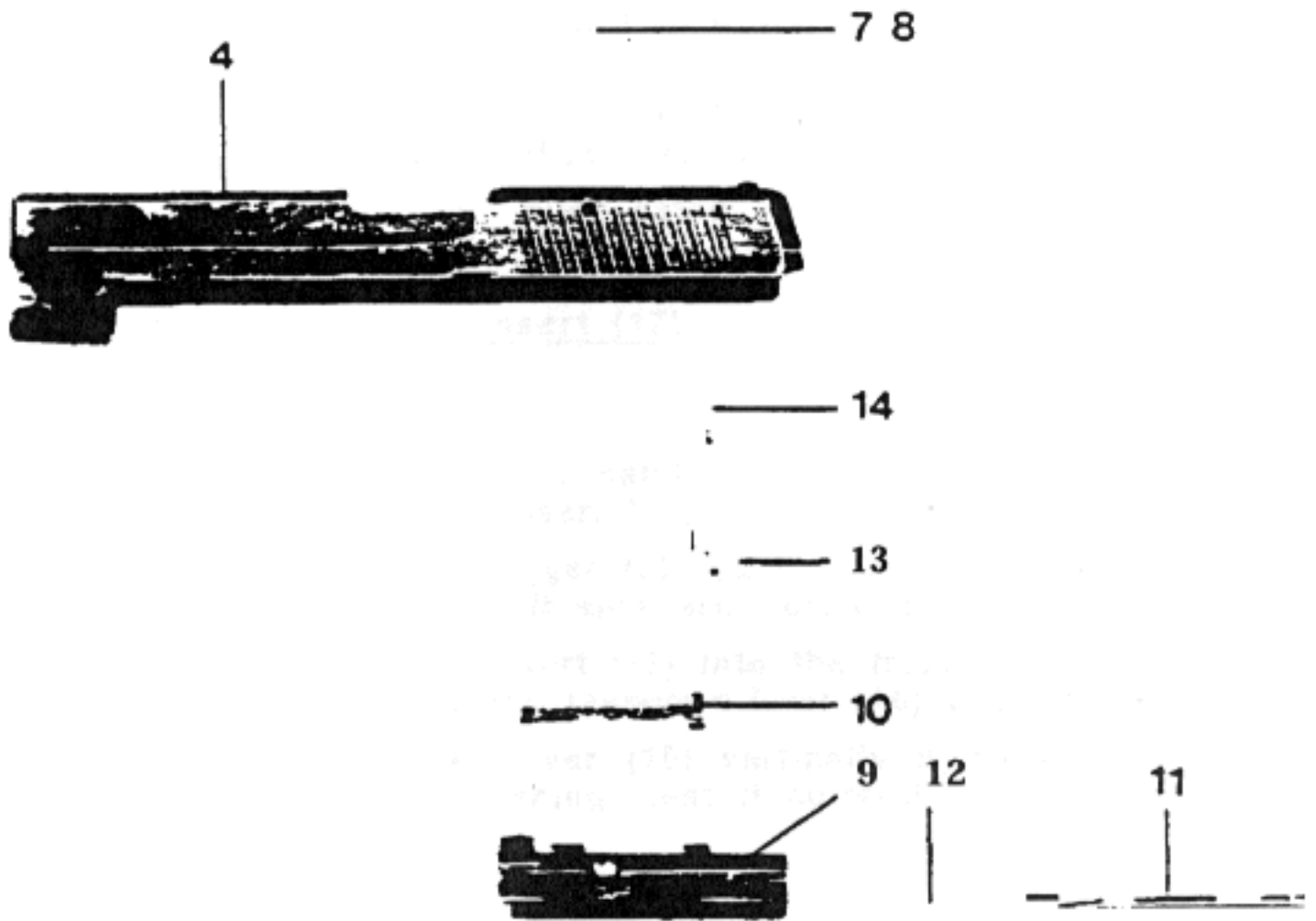
Sequence of operations:

- 1) Place the slide (4) on a suitable underlay**
- 2) Knock out the pin H.D. (7,8) with punch**
- 3) Remove the breechblock (9) from the slide (4)**
- 4) Press in the firing pin (11) forward and extract the safety lock (73) and its spring (74) from the side**
- 5) Relax the firing pin (11) and remove it together with its spring (12)**
- 6) Loosen the extractor (10) at its rear end by means of a screwdriver "3 mm" and, guiding the claw, remove it sideways from the breechblock (9)**
- 7) By simultaneous turning and pulling, remove the spring, firing pin (12) from the firing pin (11)**
- 8) Remove the spring, safety lock (14)**

7.2.2 Assembly and insertion of the breechblock (9)

Sequence of operations :

- 1) Take the spring, safety lock (14) and return it to the safety lock (13)**
- 2) With its narrower end leading, push the spring, firing pin (12) onto the firing pin (11)**
- 3) Insert the extractor (10) parallel 'from the side until the rear rectangular end is properly seated**
- 4) Insert the firing pin (11) into the breechblock (9) bore, with the cut-out uppermost**
- 5) Push the firing pin (11) forward, insert the safety lock (13) from the side and press it down**
- 6) Install the breechblock (9) in the slide**
- 7) Top in the pins H.D.(7,8), with the slot of the outer pin (8) pointing upwards**
- 8) Push the firing pin (11) forward so it is at least flush with the rear face of the breechblock (9). The rear limit of the firing pin (11) is the inner/outer pin H .D. (7,8) and not the safety lock (13)! If it is touching the safety lock (13) the firing pin (11) will be damaged by the inner/outer pin H.D. (7,8)!**
- 9) Check to ensure that the firing pin safety device function properly**



Breechblock removed and dismantled

- | | | | |
|-----|--------------------------|----|---------------------|
| 4 | Slide | 11 | Firing pin |
| 7/8 | Inner and outer pin H.D. | 12 | Spring, firing pin |
| 9 | Breechblock | 13 | Safety lock |
| 10 | Extractor | 14 | Spring, safety lock |

7.3. Locking insert (17)

7.3.1 Removal of the locking insert (17)

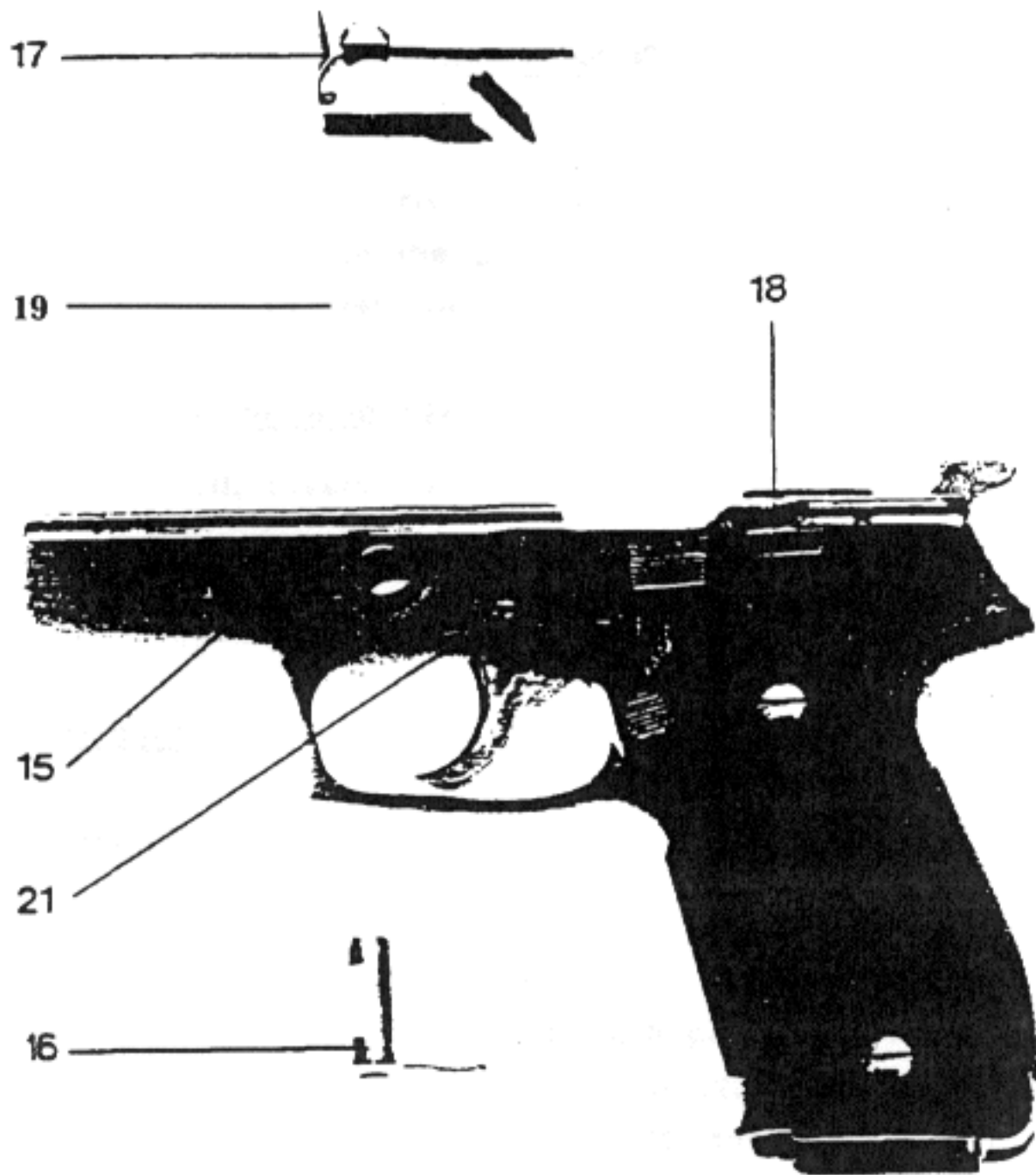
Sequence of operations :

- 1) Remove the slide (4) from the frame (15)**
- 2) Decock the hammer (29) using the decocking lever (40)**
- 3) Rotate the takedown lever (16) upwards to the vertical position and extract it**
- 4) Push forward the locking insert (17) and spring, slide catch lever (19), removing them from the frame (15)**
- 5) Take off the spring, slide catch lever (19)**

7.3.2 Installing the locking insert (17)

Sequence of operations :

- 1) Insert the spring, slide catch lever (19), with its hook in the hole of the locking insert (17)**
- 2) Position the pivot trigger (21) so that the slots point forward and the ribs on the left side are horizontal**
- 3) Insert the locking insert (17) into the frame (15) from the front until the holes for the takedown lever (16) are aligned**
- 4) Insert the takedown lever (16) vertically upward and, by turning and simultaneous pushing, seat it correctly**



Locking insert with spring, slide catch lever

- 15 Frame
- 16 Takedown lever
- 17 Locking insert
- 19 Spring, slide catch Lever
- 27 Pivot trigger

7.4 Grip plates, left and right (48/49)

7.4.1 Removal of the grip plates (48/49)

Sequence of operations :

- 1) Using a screwdriver, remove the grip plate screws (50)**
- 2) Carefully raise the grip plates (48/49)**
- 3) Remove the left and right grip plates (48/49)**

7.4.2 installing the grip plates (48/49)

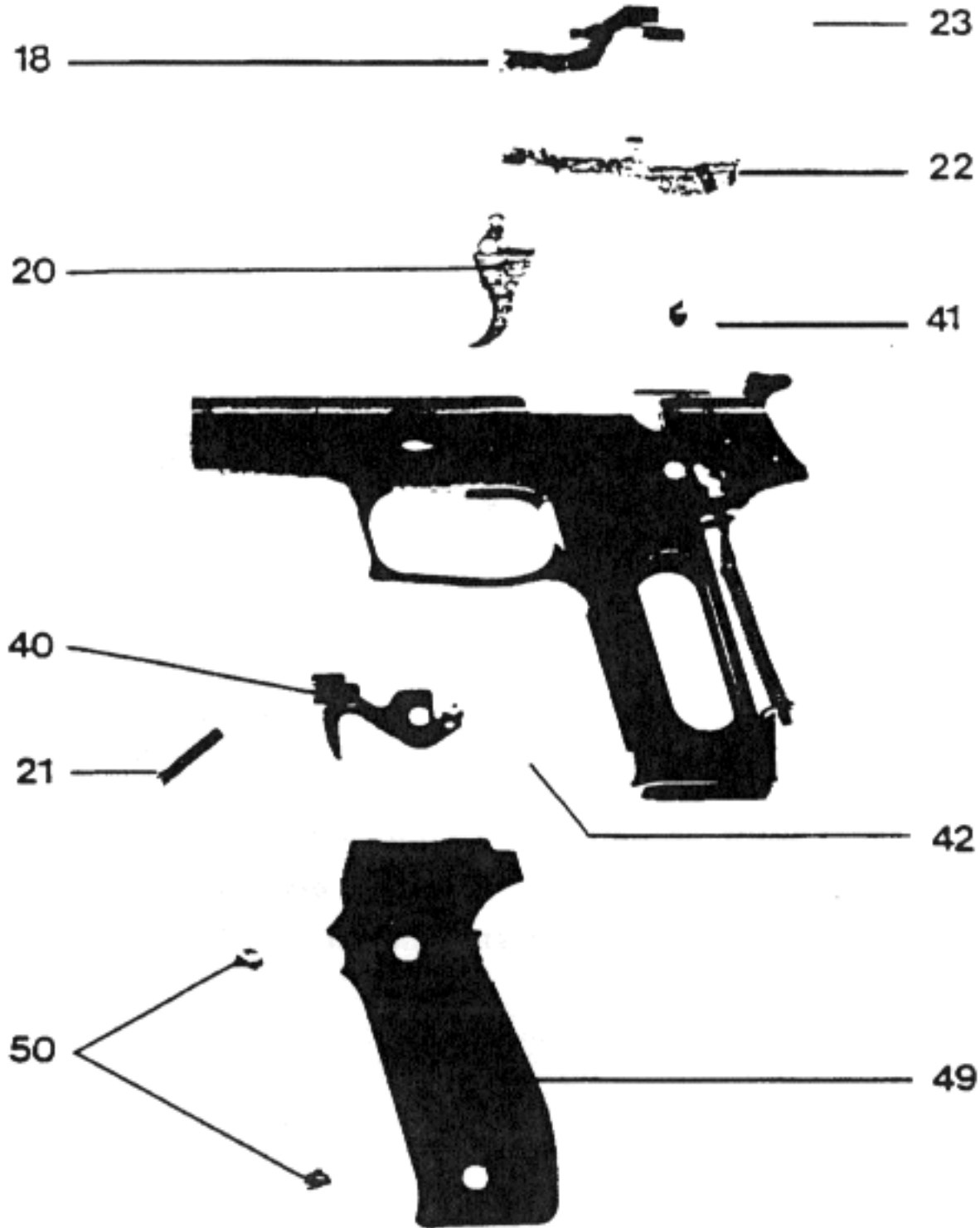
To install, reverse the order used for removal

7.5 Trigger assembly

7.5.1 Dismantling the trigger assembly

Sequence of operations:

- 1) Remove the locking insert (17)**
- 2) Remove the left and right grip plates (48/49)**
- 3) Unhook the spring, trigger bar (23) and remove it**
- 4) Push out the pivot, trigger (21) towards the left**
- 5) Remove the slide catch lever, (18)**
- 6) Remove the trigger (20) and trigger bar from the frame (15), diagonally to the front and side**
- 7) Disconnect the trigger bar (22) from the trigger (20)**
- 8) Unhook the spring, decocking lever (42) and remove it**
- 9) Extract the decocking lever (40) and its bearing (41)**



Trigger assembly

- | | | | |
|----|---------------------|----|--------------------------|
| 18 | Slide catch lever | 41 | Bearing, decocking lever |
| 20 | Trigger | 42 | Spring, decocking lever |
| 21 | Pivot, trigger | 49 | Left grip plate |
| 22 | Trigger bar | 50 | Screw |
| 23 | Spring, trigger bar | | |
| 40 | Decocking lever | | |

7.5.2 Reassembly

Sequence of operations :

- 1) Insert the bearing, decocking lever (41) into the frame, (15) from the right, and hold it there**
- 2) Insert the decocking lever (40) from the left**
- 3) Insert the spring, decocking lever (42), with its off-set end in the slot of the bearing, decocking lever (41). Tension the spring in an anticlockwise direction and insert it in the hole of the decocking lever (40)**
- 4) Connect the trigger bar (22) and the trigger (20), and place them in the frame (15)**
- 5) Insert the pivot, trigger (21) from the right, slots at the front and ribs of the left side horizontal**
- 6) Insert the slide catch lever (18) centering it on the bore of the pivot, trigger (21)**
- 7) Insert the spring, trigger bar (23) in the hole of the frame (15) and hook the other end onto the trigger bar (22)**
- 8) Fit the grip plates (48/49)**
- 9) Install the locking insert (17)**

7.6. Stop hammer in the frame

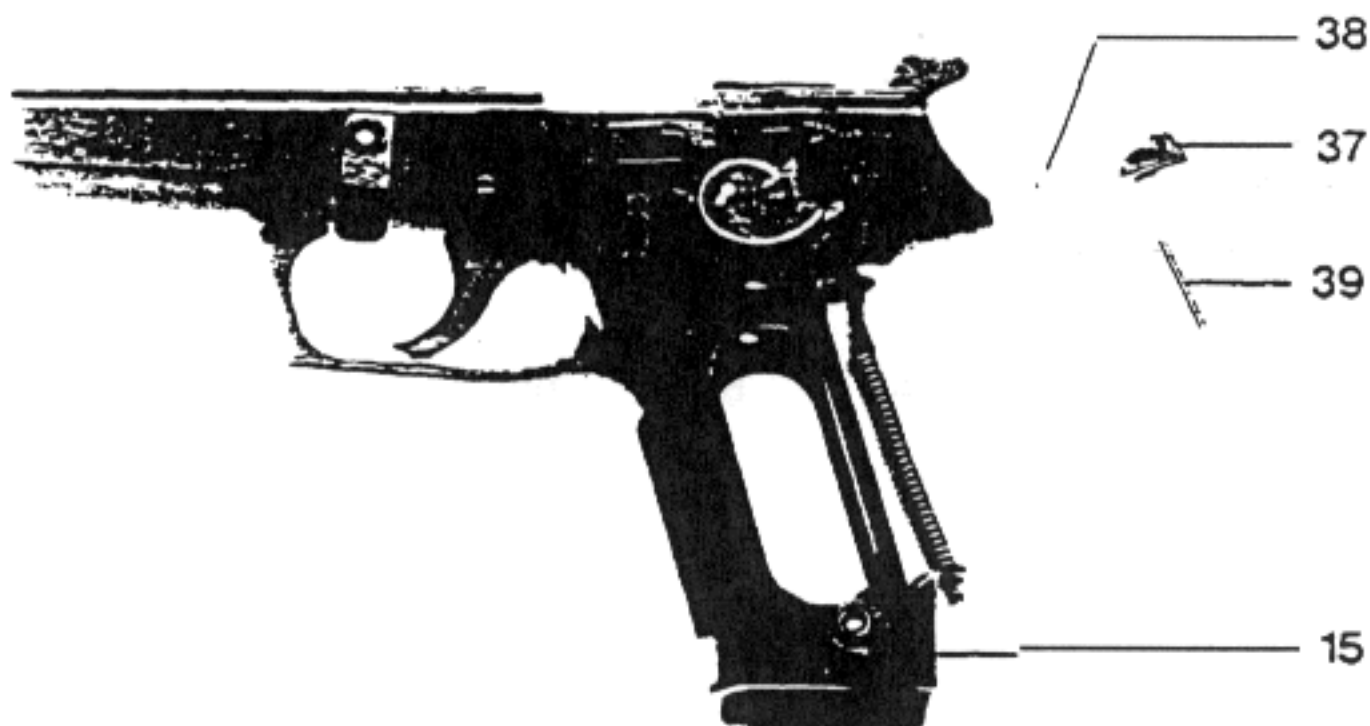
7.6.1. Removal of the stop in the frame

Sequence of operations :

- 1) Push out the pin (39)
- 2) Remove the stop, hammer (37)
- 3) Remove the spring, reset (36)

7.6.2. Installing the stop in the frame

To install, reverse the sequence used for removal. Ensure that the arm of the spring, reset (38) rests on the hammer strut, pin (30).



Stop, hammer in the frame

15 Frame

37 Stop, hammer

38 Spring, reset

39 Pin

34 Main spring

35 Spring pin

36 Coil, main spring

7.7. Strut, Hammer (33) main spring (34) and seat, main spring (36)

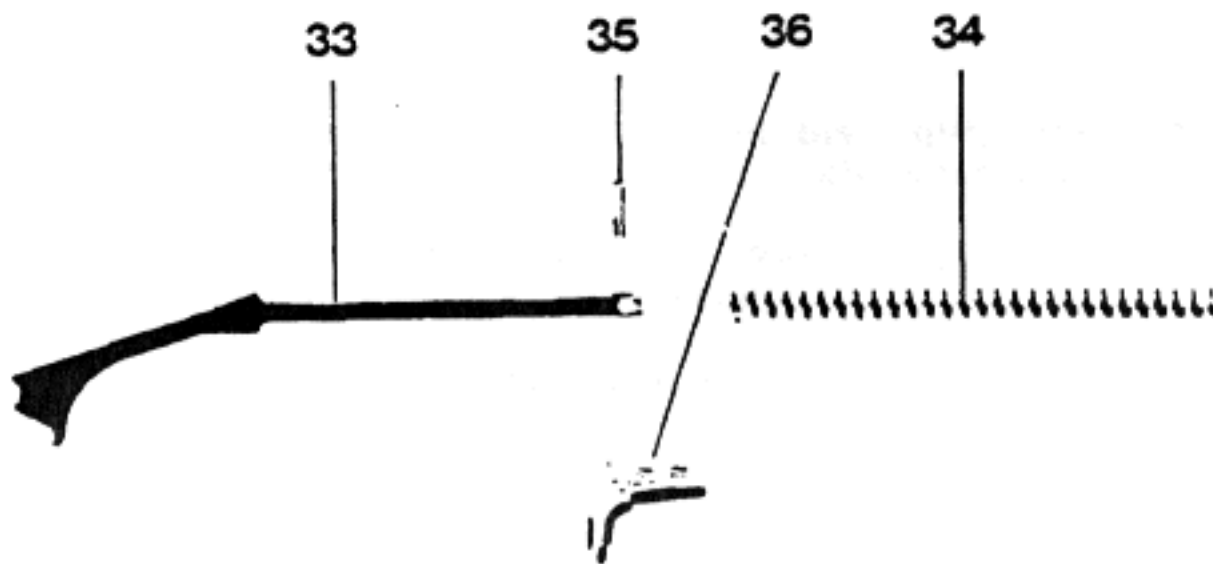
7.7.1. Dismantling

Sequence of operations :

- 1) Remove the grip plates (48/49)
- 2) Press the seat, main spring (36) upwards until it is free from its mounting in the frame (15)
- 3) Remove the seat, main spring (36), main spring (34) and strut, hammer (33)
- 4) Force out the spring pin (35) from the strut, hammer (33)
- 5) Separate the seat, main spring, (36) main spring (34) and strut hammer (33)

7.7.2. Reassembly

For reassembly, reverse the sequence used for dismantling



Hammer strut with main spring and main spring seat

- 33 Strut, hammer
- 34 Main spring
- 35 Spring pin
- 36 Seat, main spring

7.8. Hammer (29) assembly

7.8.1 Dismantling of the hammer (29) assembly

Sequence of operations :

- 1) Remove the locking insert (17), grip plates (48/49), trigger (20) assembly and stop, hammer (37)**
- 2) Press the seat, main spring (36) upwards until it is free from its mounting**
- 3) Remove the seat, main spring (36), main spring (34) and strut, hammer (33)**
- 4) Relax the spring, sear (25)**
- 5) Push out the shaft, sear (26) and safety lever (28)**
- 6) Remove the safety lever (28), sear (24) and spring, sear (25)**
- 7) Remove the ejector (32)**
- 8) Push out the hammer pivot pin (31) from the hammer (29)**
- 9) Remove the hammer (29)**

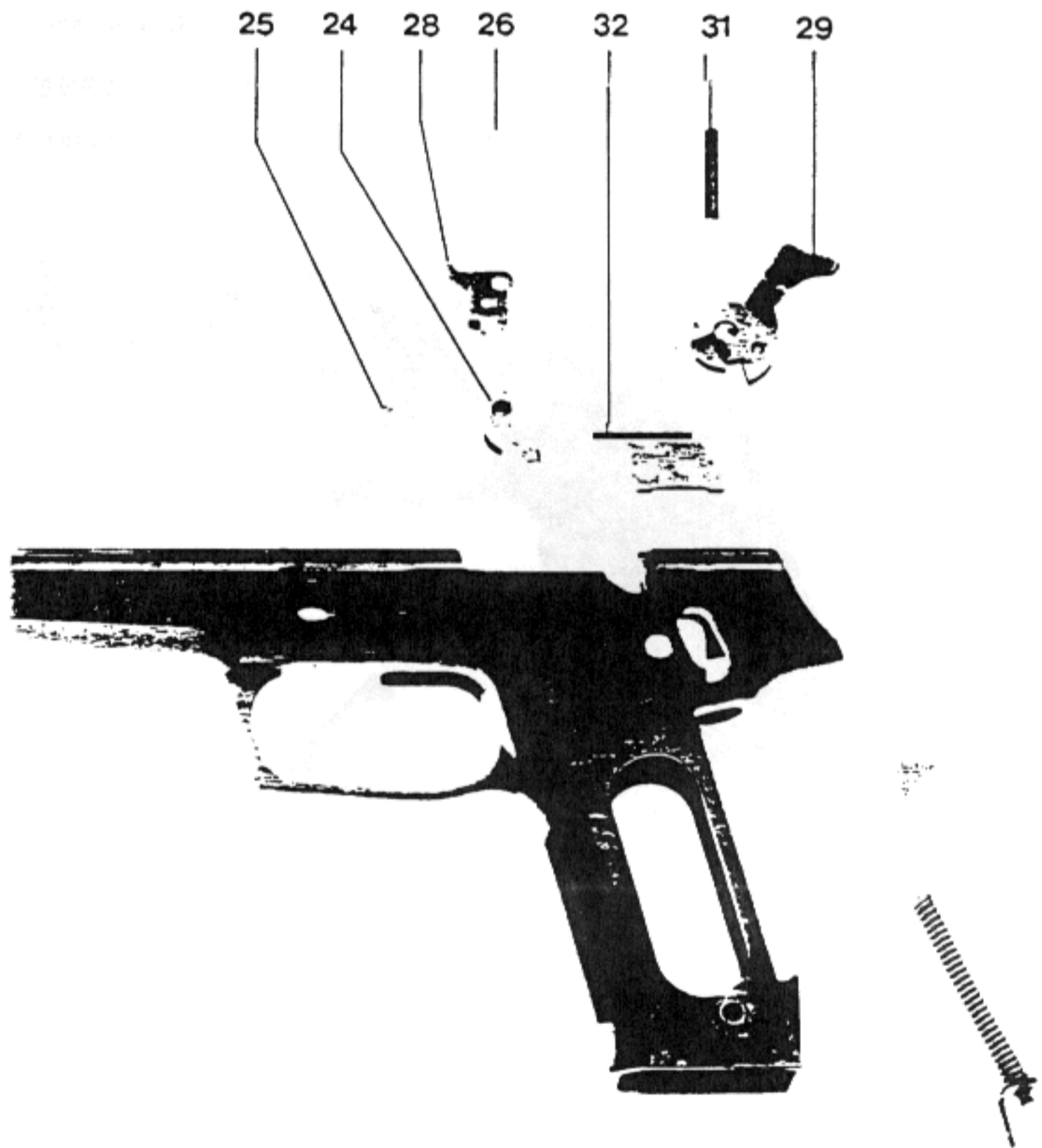
7.8.2 Reassembly

Sequence of operations :

- 1) Install the hammer (29)**
- 2) Install the ejector (32)**
- 3) Push in the shaft, sear (26), from the right, insert the safety lever (28) and anchor it with the shaft, sear (26)**
- 4) Insert the sear (24) from below. Push in the shaft, sear (26) further until the sear (24) is secured**
- 5) Fit the spring sear (25). Push in the shaft, sear (26) completely**
- 6) Using a screwdriver, tension the spring, sear (25) and position its end beneath the spring, pin H. D. (27)**
- 7) Introduce the strut, hammer (33), main spring (34), seat, main spring (36) to the hammer (29) (preferably with the hammer in the safety notch)**
- 8) Tension the main spring (34) somewhat and position the seat, main spring (36) in its mounting in the frame (15)**
- 9) Replace the trigger (20) assembly, stop, hammer (37), grip plates (48/49) and locking insert (17)**

Hammer assembly

- | | | | |
|----|--------------|----|------------------|
| 24 | Sear | 29 | Hammer |
| 25 | Spring, sear | 31 | Hammer pivot pin |
| 26 | Shaft, sear | 32 | Ejector |
| 28 | Safety lever | | |



7.9. Magazine catch (43)

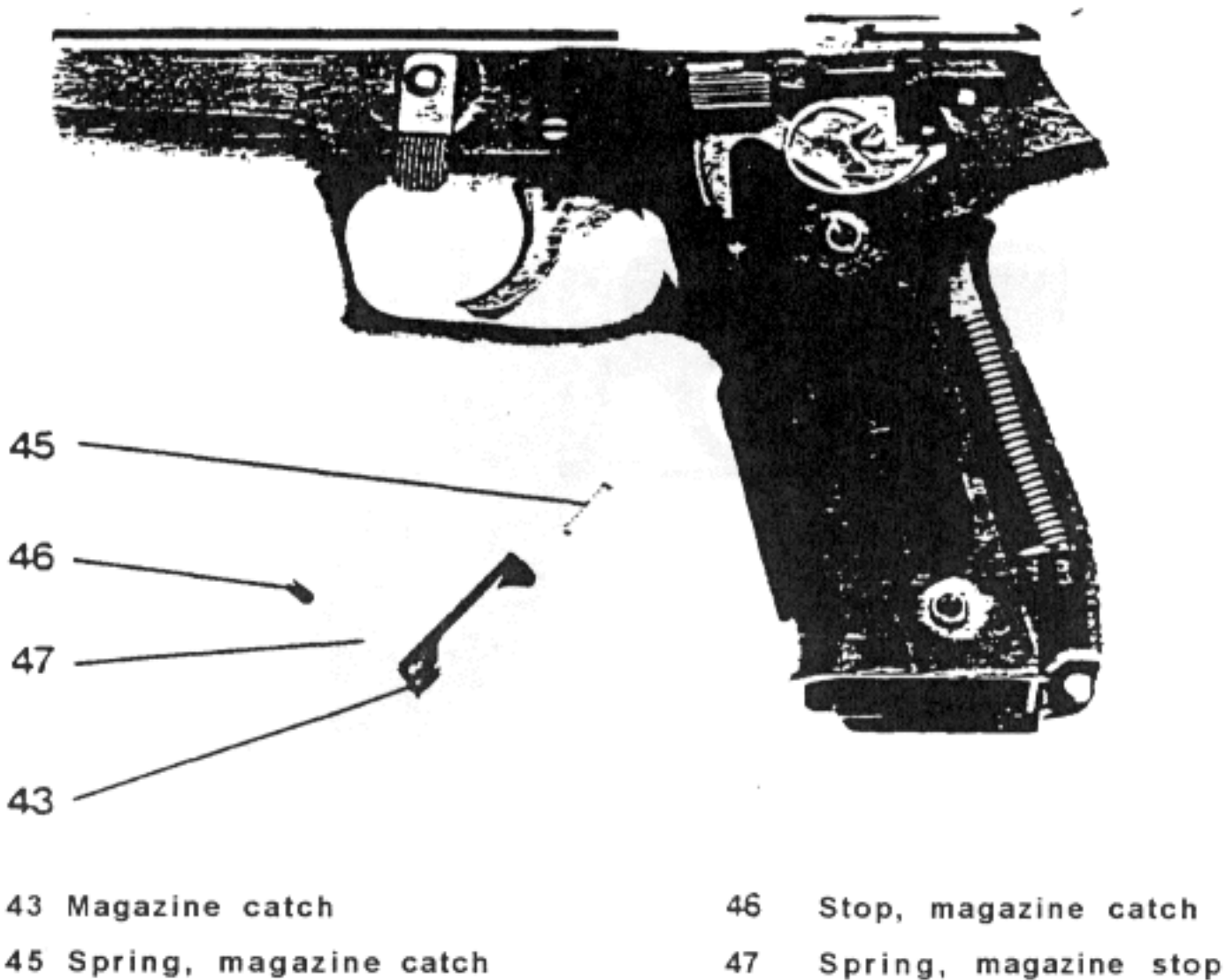
7.9.1 Removal of the magazine catch

Sequence of operations :

- 1) Remove the left grip plate (49)
- 2) Press the stop, magazine catch (46) inwards
- 3) Remove the stop, magazine catch (46) and spring, magazine stop (47)
- 4) Take out the magazine catch (43) and spring, magazine catch (45)

7.9.2 Reassembly of the magazine catch

For reassembly, reverse the sequence used for removal



7.9.3 Changing over the magazine catch from left to right

- 1) Remove the magazine catch (43) as per 7.9.1
- 2) Remove the right grip plate (48)
- 3) Remove spring, trigger bar (23)
- 4) Remove support plate (44) and reinstall it on the left-hand side
- 5) Install the magazine catch (43) and spring, magazine catch (45)
- 6) Install the stop, magazine catch (46) and spring, magazine stop (47)
- 7) Fit spring, trigger bar (23)
- 8) Install right- and left-hand grip plate (48/49)



- 23 Spring, trigger bar
44 Support plate

8. Inspection

8.1. General

The gunsmith should carry out the following inspections :

- function inspection
- parts inspection

8.2. Function inspection

A functions check is to be carried out on the assembled weapon :

- to determine causes of malfunction
- after repair work
- following after-use cleaning and during weapon inspections as well as after parts inspection and lubrication

8.2.1. Unload

Unload the weapon and remove the magazine

8.2.2. Recoil spring

Check the force of the recoil spring and smooth cycling of the slide. Carry out loading movement and check that the slide/ barrel system springs forward smartly and locks. Repeat once.

8.2.3. Trigger and hammer mechanisms

a) Double action function

with hammer decocked, squeeze the trigger

check that the hammer cocks properly and then drops forcefully, coming to rest in the safety intercept notch

b) Interruption of trigger function

with decocked hammer and trigger fully pulled, carry out a loading movement

check that the hammer is retained in the cocked position (trigger remains fully pulled)

c) Single-action function

release the trigger fully and simultaneously.. ..

check that the trigger bar engages once more and that, upon squeezing the trigger again, the hammer is operated

d) Safety notch on the hammer

cock the hammer and then decock using the decocking lever but without touching the trigger

check that the hammer is intercepted before reaching the extreme dropped position

e) Decocking lever

cock the hammer

thumb down the decocking lever and check that the trigger and hammer are brought to their rest position

8.2.4 Magazine

- condition of the magazine tube, the lips and of the floorplate
- correct securing of the floorplate by the insert
- smooth movement and springing of the feeder
- easy insertion of the magazine into the frame
- correct in and out movement of the magazine catch

8.2.5 Lever, slide catch

- with an empty magazine in place, carry out a loading movement. The slide must be arrested in the rear position by the lever, slide catch
- thumb down the lever, slide catch and check that the slide is released and forcefully springs forward
- thumb down the decocking lever

8.2.6 External condition of the weapon

- condition of the front and rear sights, grip plates and take down lever as well as tight seating of the sights and plates

8.2.7 Inspection of the numbered parts

- arrangement of the numbers on the barrel, slide and frame

8.3 Parts inspection

8.3.1 General

This inspection includes a close check of individual parts in respect of damage such as cracks, unacceptable deformation, smoothness and condition of all sliding and bearing surfaces, as well as function and condition of all springs.

Parts inspection is to be carried out with the weapon dismantled and cleaned:

- to determine causes of malfunction
- to examine carefully all stressed parts with a view to their replacement
- during maintenance work
- during weapon inspection

8.3.2 Parts inspection covers :

a) Barrel (1)

bore and chamber

- locking surfaces

b) Recoil spring (3) and guide, recoil spring (2)

c) Slide (4)

- ejection port, locking surface
extractor (10) (claw and spring)
firing pin hole
- arresting notch for the slide catch lever (18)
pin H .D. of the breechblock (7,8)
- safety lock (13), spring and function
projection of the firing pin
- front and rear sights (5,6), contrast markings

6. Weapon functions

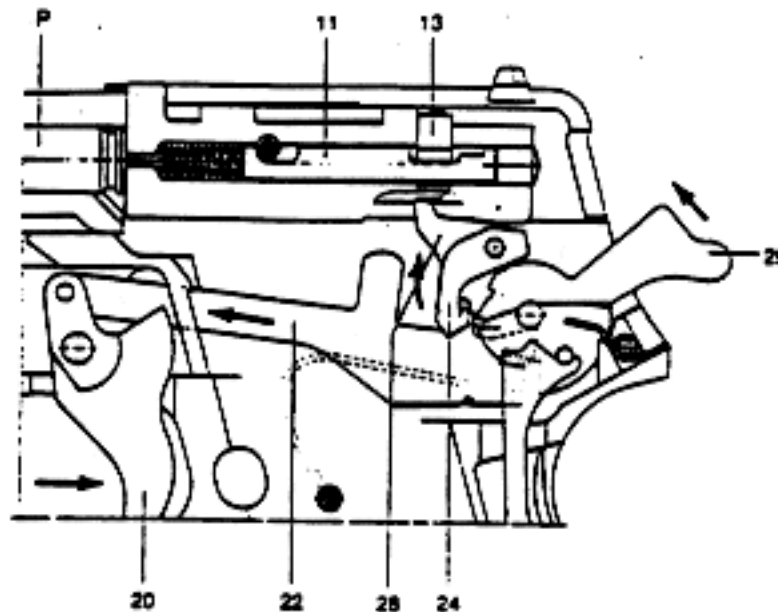
6.1. Function of the trigger assembly

6.1.1. Weapon loaded, hammer decocked

With the weapon loaded and the hammer decocked, a shot can be fired with the double-action trigger.

By squeezing the trigger (20), the trigger bar (22) is drawn forward and cocks the hammer (29). The trigger bar (22) also operates the safety lever (28) to lift the safety lock (13). The safety lever (28) draws the sear (24) out of register with the hammer (29) whilst the safety lock (13) liberates the firing pin (11).

Continued movement of the trigger (20) causes the trigger bar (22) to release the hammer (29) which strikes the firing pin (11) and detonates the cartridge primer.



Function of the trigger assembly

11 Firing pin	24 Sear
13 Safety lock	28 Safety Lever
20 Trigger	29 Hammer
22 Trigger bar	

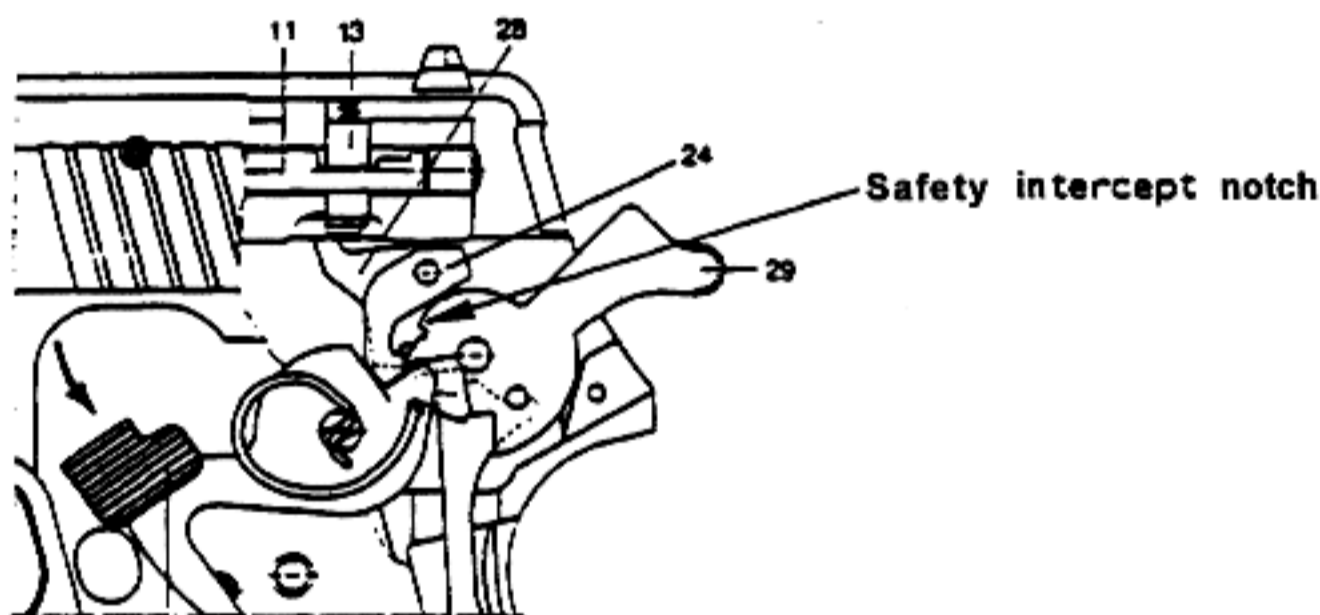
6.1.3. Decocking lever: and hammer safety notch

The decocking lever (40) allows the cocked hammer (29) to be safely lowered into the safety intercept notch. In this condition the weapon can be carried with a cartridge in the chamber, ready for immediate use.

The safety intercept notch is the rest position of the hammer (29). It also becomes effective in case of inadvertent hammer tripping when thumbcocking the weapon.

Thumbing down the decocking lever (40) takes the sear (24) out of register with the full-cock hammer notch. The hammer (29) drops forward, returning the decocking lever (40) to its original position, and is arrested by the sear (24) engaging in the safety intercept notch.

During this operation the safety lever (28) remains in its rest position and does not lift the safety lock (13). Hence, during and after decocking, the firing pin (11) remains constantly locked. By this means, even dropping the weapon cannot cause inadvertent discharge of a cartridge.



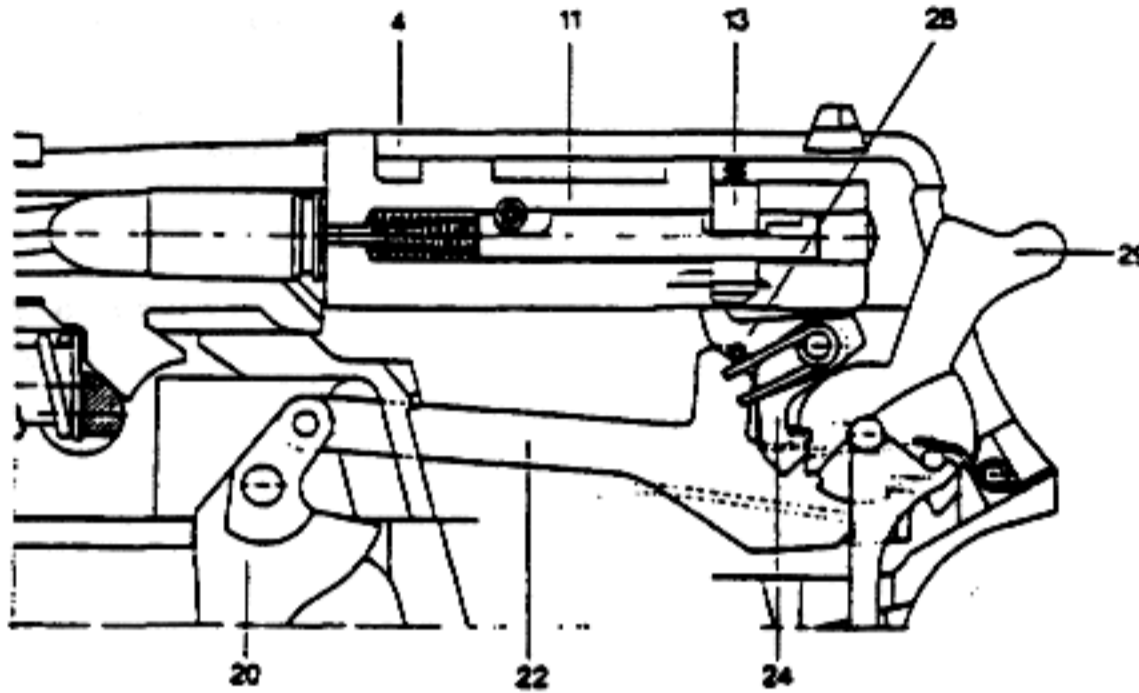
40

Function of the decocking lever and safety notch

11 Firing pin	28 Safety Lever
13 Safety lock	29 Hammer
24 Sear	40 Decocking lever

6.1.4. Firing pin lock

In order to achieve optimum safety the firing pin (11) is locked in the slide by the safety lock (13). Immediate first-shot potential is ensured by the trigger action. During which the trigger bar (22) pivots the safety lever (28) to raise the safety lock (13) (thus liberating the firing pin) immediately prior to tripping the hammer (29).



Function of the firing pin lock

4 Slide	22 Trigger bar
11 Firing pin	24 Sear
13 Safety lock	28 Safety Lever
20 Trigger	29 Hammer

6.1.5. Weapon loaded, hammer cocked

By squeezing the trigger (single-action) (20) the trigger bar (22) is drawn forward.

The trigger bar (22) pivots the safety lever (28) which lifts the safety lock (13) to liberate the firing pin (11) and also moves the sear (24) to trip the hammer (29).

6.2. Unlocking, recoil movement and locking

At the instant of firing, the weapon is locked, i.e. the barrel (1) is seated on the locking insert (17) in the frame (1.5) and is locked with the slide (4).

Blowback reaction thrusts the barrel/slide system rearward against the recoil spring (3). After recoiling about 3 mm the barrel (1) is forced down and arrested by the locking insert (17).

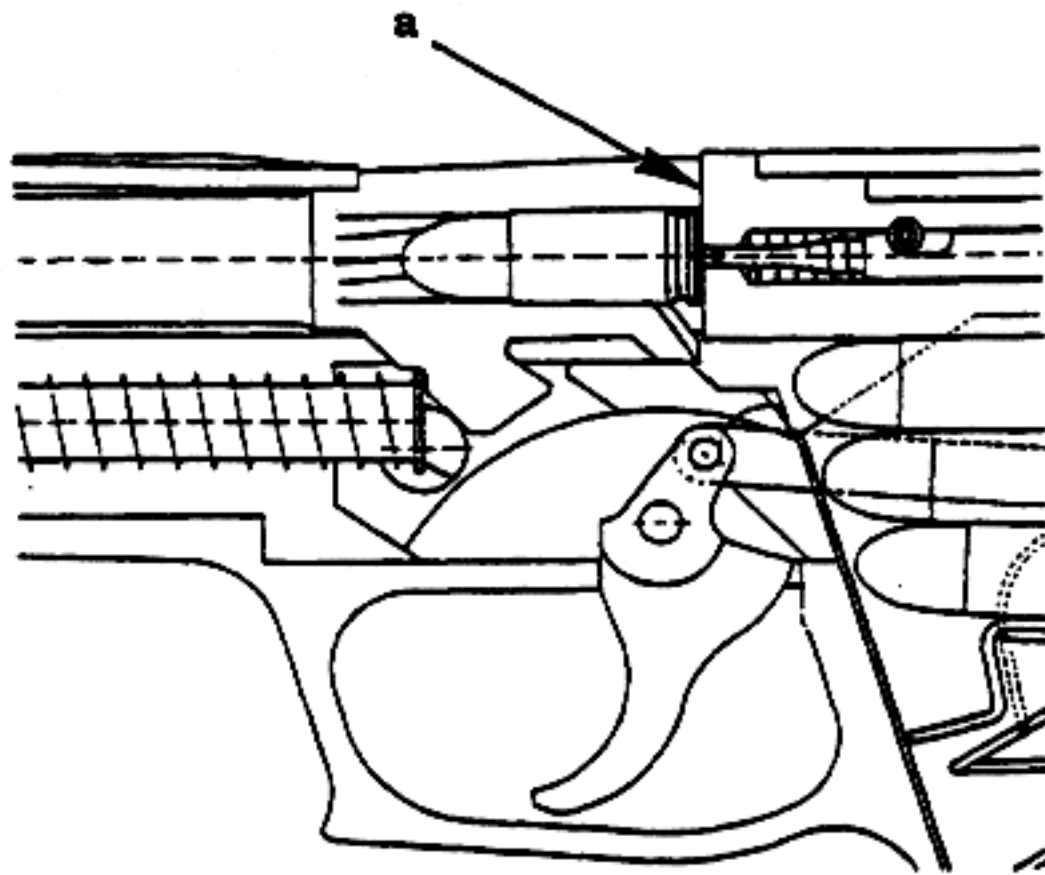
The pistol is unlocked.

The slide (4) continues rearward, cocks the hammer(29), extracts and ejects the spent case and compresses the recoil spring (3) further.

The recoil movement is arrested by the slide stop in the frame.

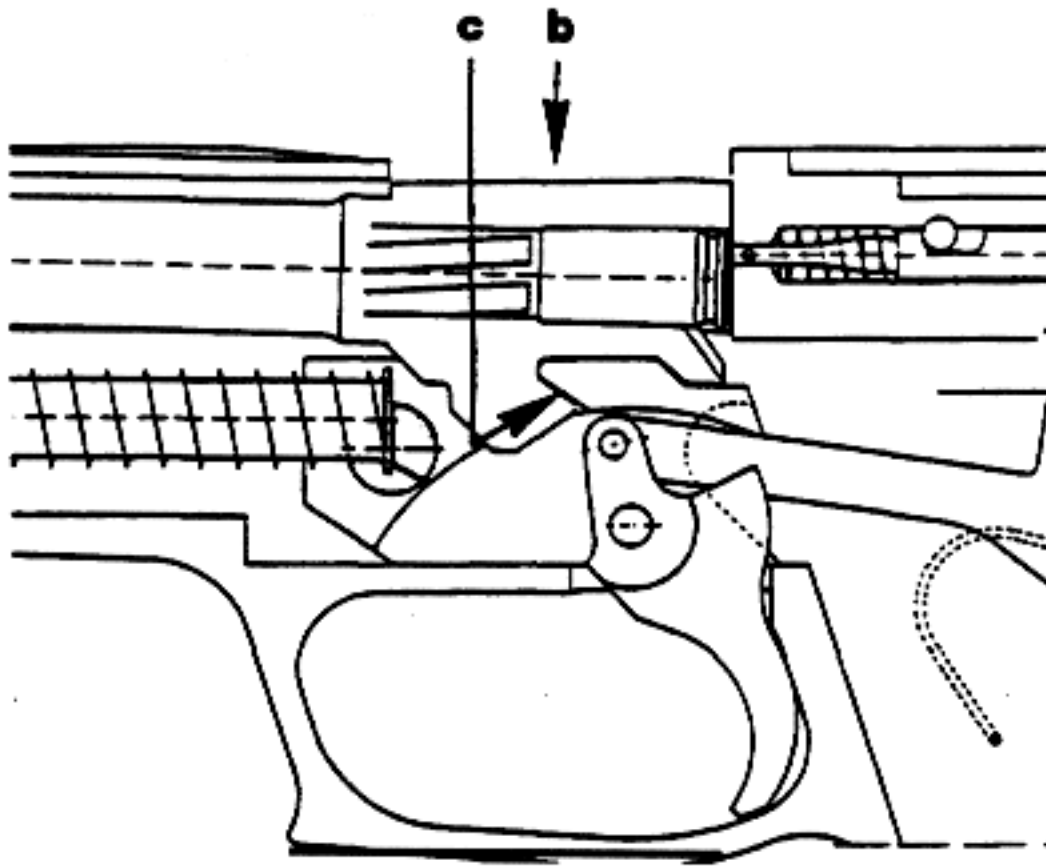
The compressed recoil spring (3) thrusts the slide (4) forward, stripping a round from the magazine (51) and chambering it on the way to the battery position.

Just before reaching the forward end position, the slide (4) again locks up with the barrel (1).



Barrel locked with the slide

a) Locking surfaces



Barrel unlocked

- b) Ejection port**
- c) Guide surfaces**

6.3 Arresting mechanism (slide catch, lever)

After firing of the last shot, the slide (4) is arrested in the open position.

The feeder (53) of the empty magazine (51) raises the slide catch lever (18) which engages the arresting notch of the slide (4) and prevents its further movement. Upon thumbing down the slide catch lever (18) the moving parts are released and spring forward.

51 Magazine
52 Spring

7. Gunsmithing work

(Further dismantling for parts replacement and maintenance)

7.1 Magazine (51)

7.1.1 Dismantling the magazine (51)

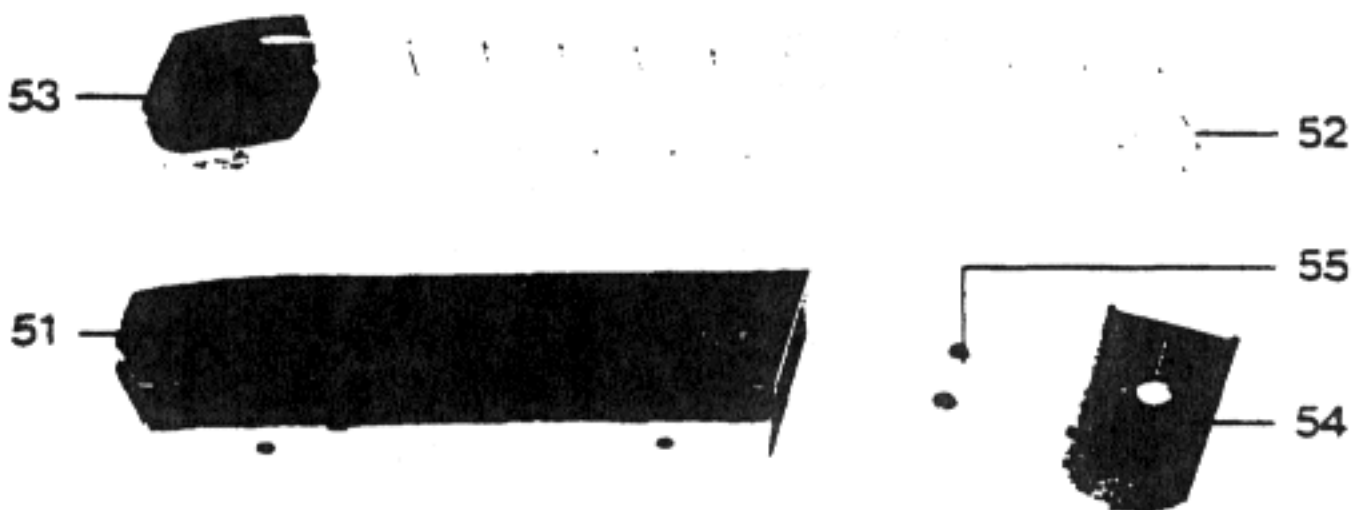
Sequence of operations

- 1) Force the insert, magazine (55) inwards with punch
- 2) Draw out the floorplate (54) in the direction of the protruding flange, using the index finger of one hand to ensure that the spring, magazine (52) does not jump out.
- 3) Remove the spring, magazine (52) and feeder (53) from the magazine tube (51).

7.1.2 Assembling the magazine (51)

The magazine is assembled in the reverse order to dismantling.

After inserting the floorplate (54), ensure that the insert, magazine (55) engages the hole of the floorplate (54) to secure it.



Magazine dismantled

51 Magazine tube

52 Spring, magazine

53 Feeder

54 Floorplate, magazine

55 Insert, magazine

7.2 Breechblock(9) In the slide (4)

7.2.1 Removal and dismantling of the breechblock (9)

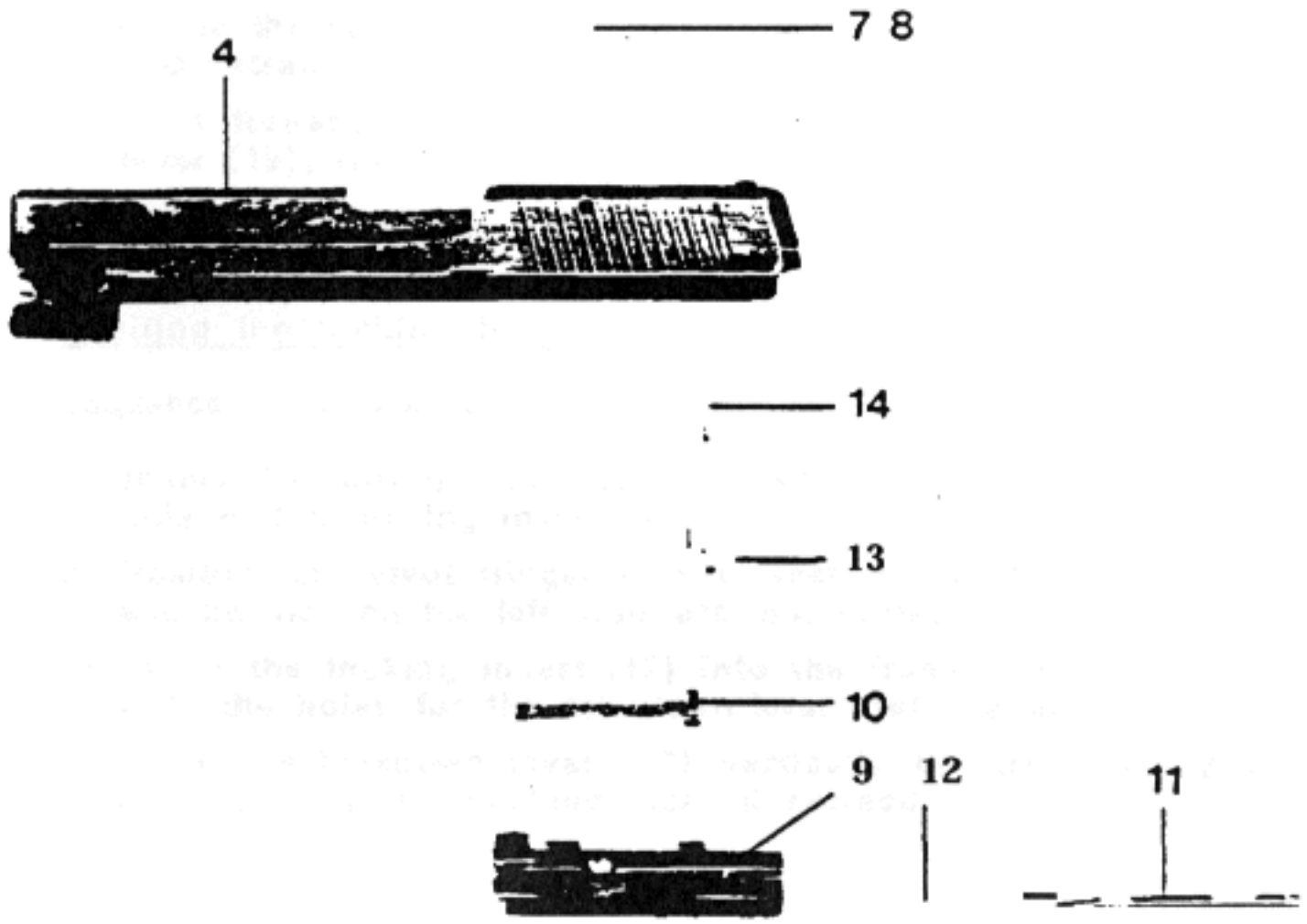
Sequence of operations:

- 1) Place the slide (4) on a suitable underlay**
- 2) Knock out the pin H.D. (7,8) with punch**
- 3) Remove the breechblock (9) from the slide (4)**
- 4) Press in the firing pin (11) forward and extract the safety lock (73) and its spring (74) from the side**
- 5) Relax the firing pin (11) and remove it together with its spring (12)**
- 6) Loosen the extractor (10) at its rear end by means of a screwdriver "3 mm" and, guiding the claw, remove it sideways from the breechblock (9)**
- 7) By simultaneous turning and pulling, remove the spring, firing pin (12) from the firing pin (11)**
- 8) Remove the spring, safety lock (14)**

7.2.2 Assembly and insertion of the breechblock (9)

Sequence of operations :

- 1) Take the spring, safety lock (14) and return it to the safety lock (13)**
- 2) With its narrower end leading, push the spring, firing pin (12) onto the firing pin (11)**
- 3) Insert the extractor (10) parallel 'from the side until the rear rectangular end is properly seated**
- 4) Insert the firing pin (11) into the breechblock (9) bore, with the cut-out uppermost**
- 5) Push the firing pin (11) forward, insert the safety lock (13) from the side and press it down**
- 6) Install the breechblock (9) in the slide**
- 7) Top in the pins H.D.(7,8), with the slot of the outer pin (8) pointing upwards**
- 8) Push the firing pin (11) forward so it is at least flush with the rear face of the breechblock (9). The rear limit of the firing pin (11) is the inner/outer pin H .D. (7,8) and not the safety lock (13)! If it is touching the safety lock (13) the firing pin (11) will be damaged by the inner/outer pin H.D. (7,8)!**
- 9) Check to ensure that the firing pin safety device function properly**



Breechblock removed and dismantled

- | | | | |
|-----|--------------------------|----|---------------------|
| 4 | Slide | 11 | Firing pin |
| 7/8 | Inner and outer pin H.D. | 12 | Spring, firing pin |
| 9 | Breechblock | 13 | Safety lock |
| 10 | Extractor | 14 | Spring, safety lock |

7.3. Locking Insert (17)

7.3.1 Removal of the locking insert (17)

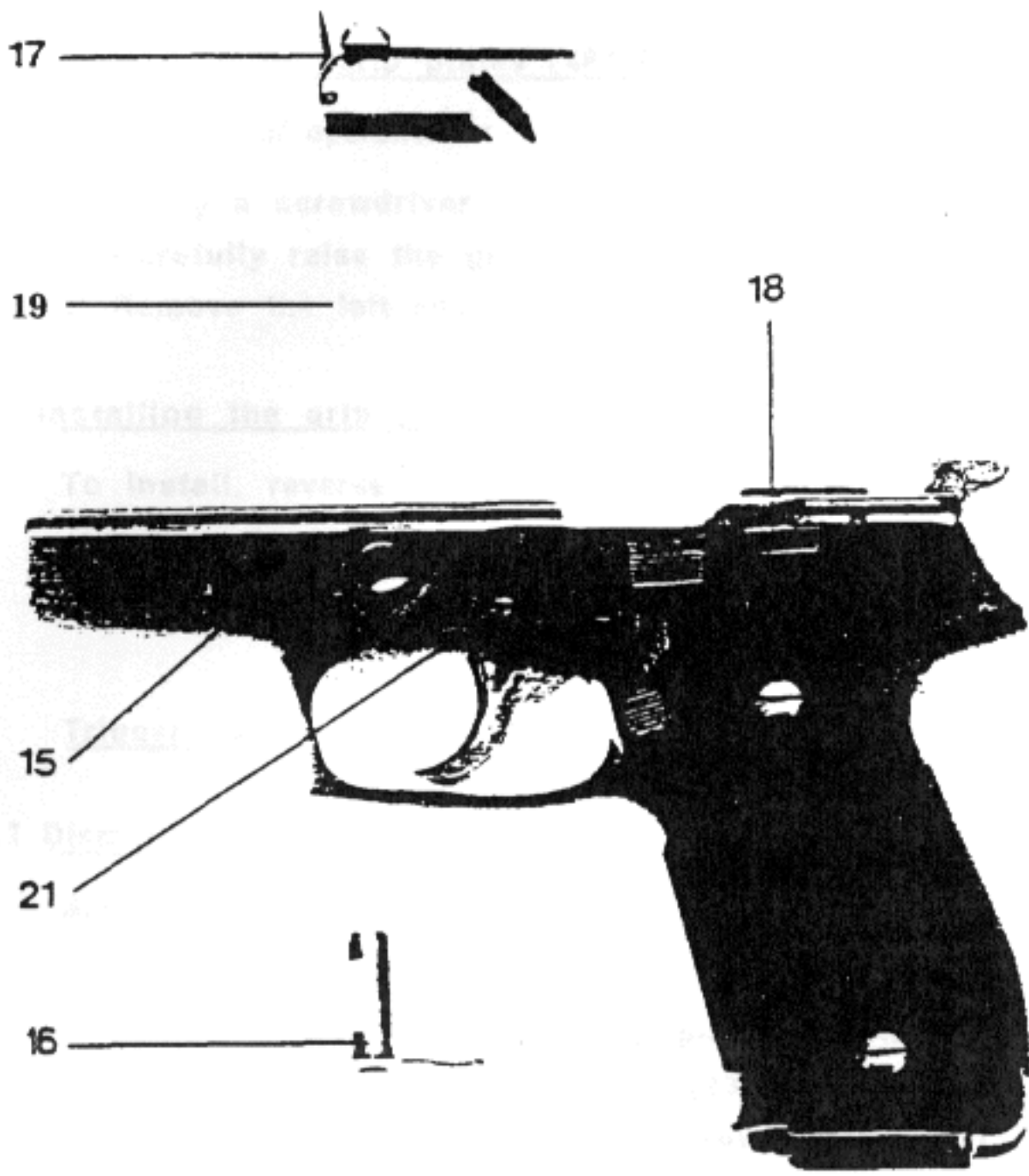
Sequence of operations :

- 1) Remove the slide (4) from the frame (15)**
- 2) Decock the hammer (29) using the decocking lever (40)**
- 3) Rotate the takedown lever (16) upwards to the vertical position and extract it**
- 4) Push forward the locking insert (17) and spring, slide catch lever (19), removing them from the frame (15)**
- 5) Take off the spring, slide catch lever (19)**

7.3.2 Installing the locking insert (17)

Sequence of operations :

- 1) Insert the spring, slide catch lever (19), with its hook in the hole of the locking insert (17)**
- 2) Position the pivot trigger (21) so that the slots point forward and the ribs on the left side are horizontal**
- 3) Insert the locking insert (17) into the frame (15) from the front until the holes for the takedown lever (16) are aligned**
- 4) Insert the takedown lever (16) vertically upward and, by turning and simultaneous pushing, seat it correctly**



Locking insert with spring, slide catch lever

- 15 Frame
- 16 Takedown lever
- 17 Locking insert
- 19 Spring, slide catch Lever
- 27 Pivot trigger

7.4 Grip plates,' left and right (48/49)

7.4.1 Removal of the grip plates (48/49)

Sequence of operations :

- 1) Using a screwdriver, remove the grip plate screws (50)**
- 2) Carefully raise the grip plates (48/49)**
- 3) Remove the left and right grip plates (48/49)**

7.4.2 installing the grip plates (48/49)

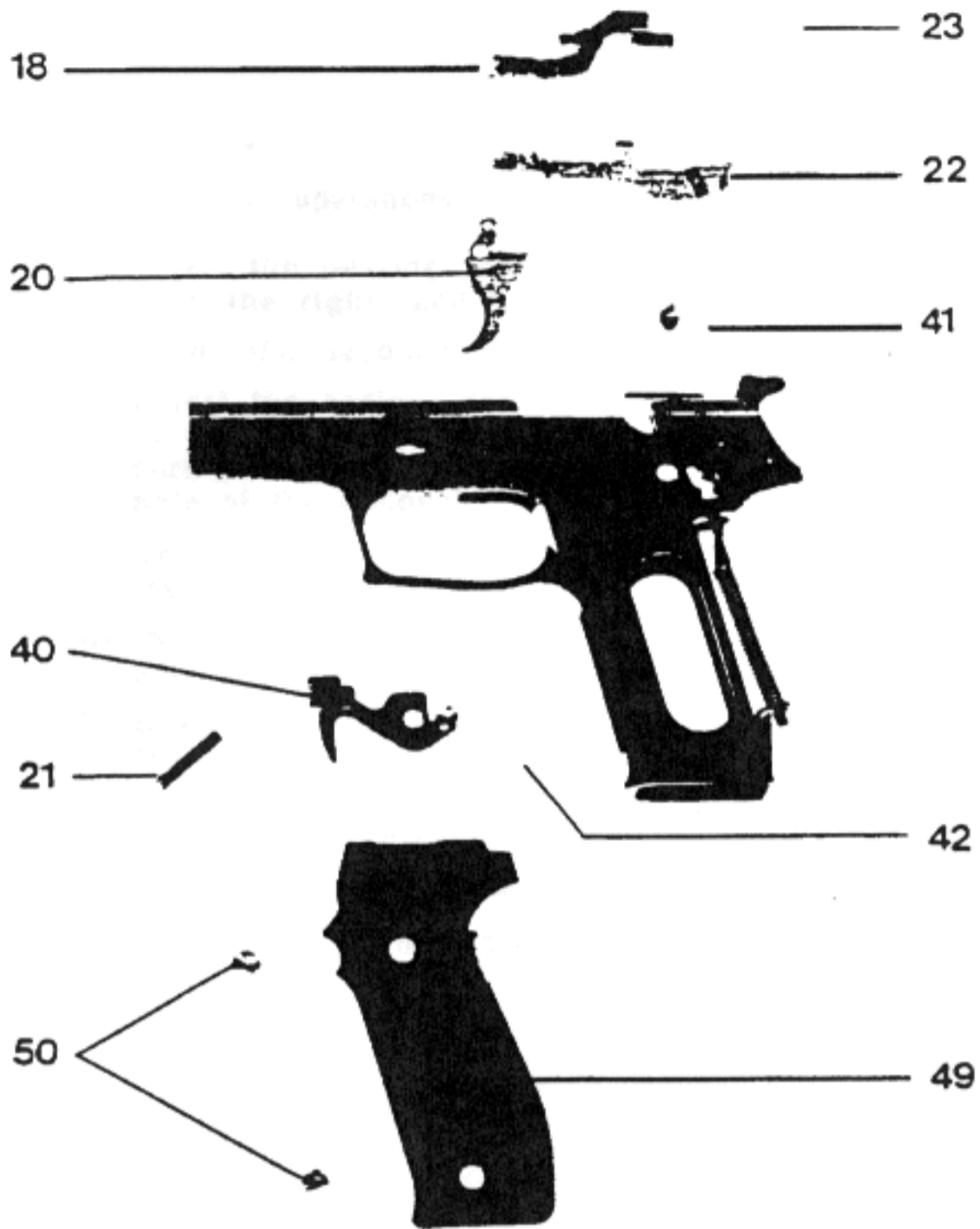
To install, reverse the order used for removal

7.5 Trigger assembly

7.5.1 Dismantling the trigger assembly

Sequence of operations:

- 1) Remove the locking insert (17)**
- 2) Remove the left and right grip plates (48/49)**
- 3) Unhook the spring, trigger bar (23) and remove it**
- 4) Push out the pivot, trigger (21) towards the left**
- 5) Remove the slide catch lever, (18)**
- 6) Remove the trigger (20) and trigger bar from the frame (15), diagonally to the front and side**
- 7) Disconnect the trigger bar (22) from the trigger (20)**
- 8) Unhook the spring, decocking lever (42) and remove it**
- 9) Extract the decocking lever (40) and its bearing (41)**



Trigger assembly

- | | | | |
|----|---------------------|----|--------------------------|
| 18 | Slide catch lever | 41 | Bearing, decocking lever |
| 20 | Trigger | 42 | Spring, decocking lever |
| 21 | Pivot, trigger | 49 | Left grip plate |
| 22 | Trigger bar | 50 | Screw |
| 23 | Spring, trigger bar | | |
| 40 | Decocking lever | | |

7.5.2 Reassembly

Sequence of operations :

- 1) Insert the bearing, decocking lever (41) into the frame, (15) from the right, and hold it there**
- 2) Insert the decocking lever (40) from the left**
- 3) Insert the spring, decocking lever (42), with its off-set end in the slot of the bearing, decocking lever (41). Tension the spring in an anticlockwise direction and insert it in the hole of the decocking lever (40)**
- 4) Connect the trigger bar (22) and the trigger (20), and place them in the frame (15)**
- 5) Insert the pivot, trigger (21) from the right, slots at the front and ribs of the left side horizontal**
- 6) Insert the slide catch lever (18) centering it on the bore of the pivot, trigger (21)**
- 7) insert the spring, trigger bar (23) in the hole of the frame (15) and hook the other end onto the trigger bar (22)**
- 8) Fit the grip plates (48/49)**
- 9) Install the locking insert (17)**

7.6. Stop hammer in the frame

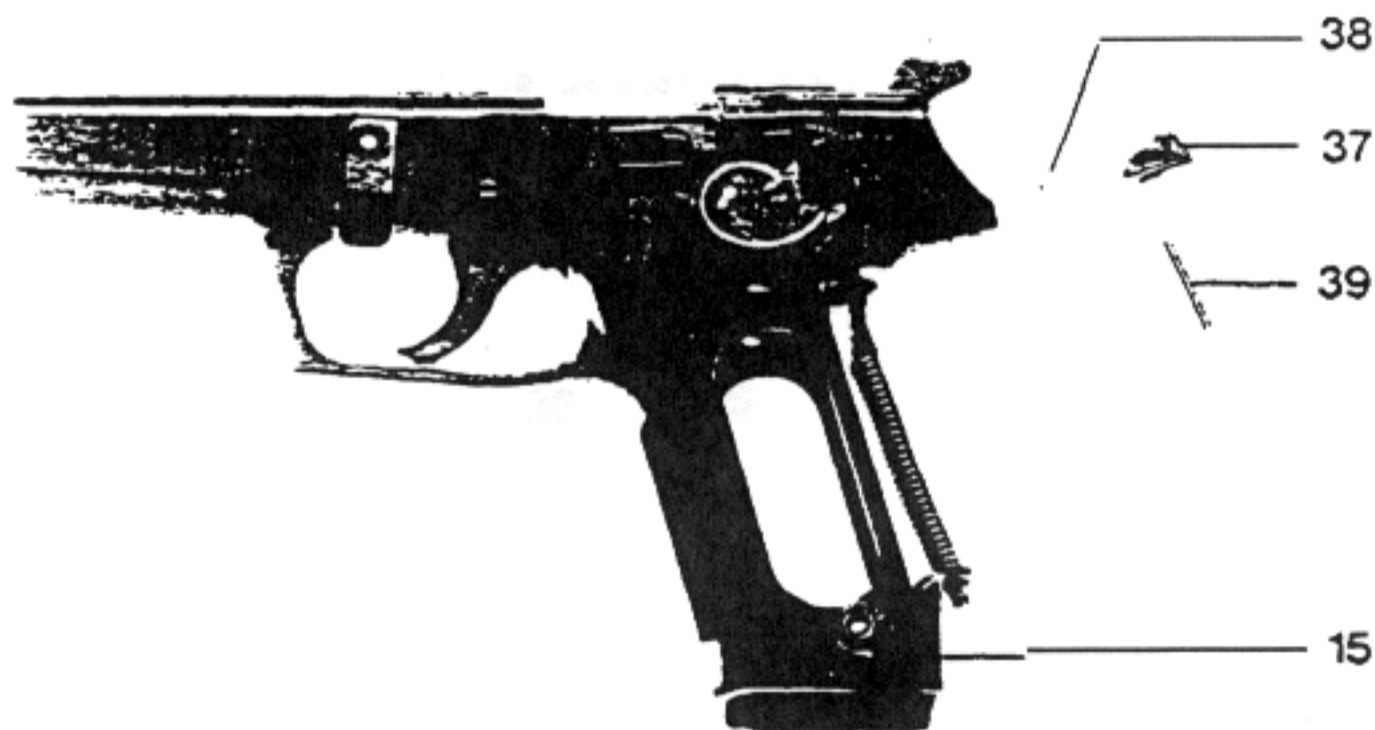
7.6.1. Removal of the stop in the frame

Sequence of operations :

- 1) Push out the pin (39)
- 2) Remove the stop, hammer (37)
- 3) Remove the spring, reset (36)

7.6.2. Installing the stop in the frame

To install, reverse the sequence used for removal. Ensure that the arm of the spring, reset (38) rests on the hammer strut, pin (30).



Stop, hammer in the frame

15 Frame

37 Stop, hammer

38 Spring, reset

39 Pin

7.7. Strut, Hammer (33) main spring (34) and seat, main spring (36)

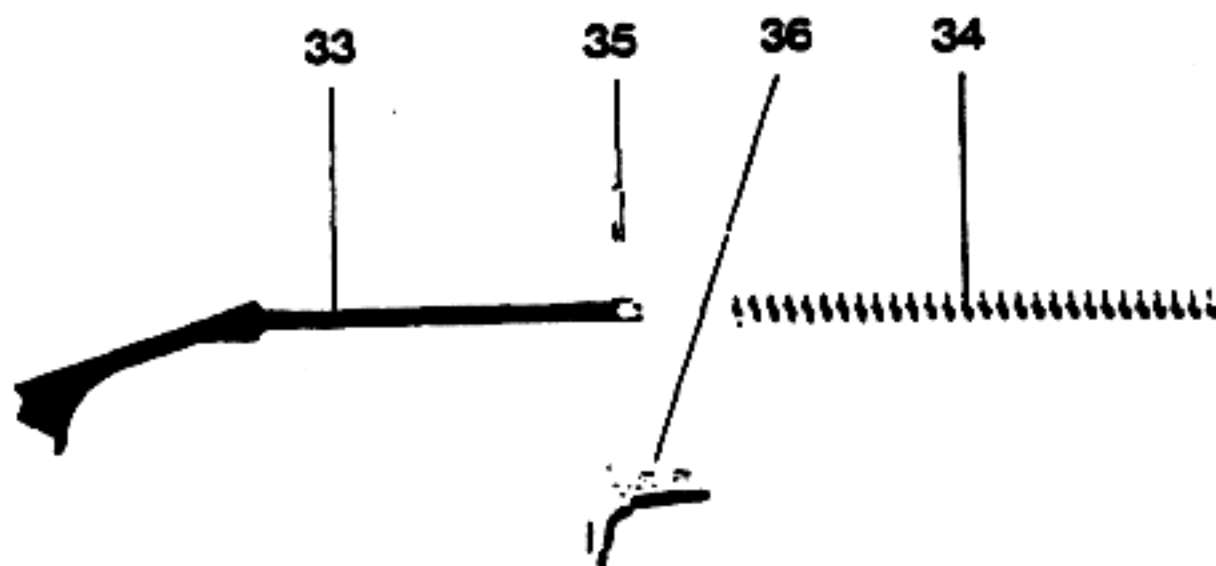
7.7.1. Dismantling

Sequence of operations :

- 1) Remove the grip plates (48/49)
- 2) Press the seat, main spring (36) upwards until it is free from its mounting in the frame (15)
- 3) Remove the seat, main spring (36), main spring (34) and strut, hammer (33)
- 4) Force out the spring pin (35) from the strut, hammer (33)
- 5) Separate the seat, main spring, (36) main spring (34) and strut hammer (33)

7.7.2. Reassembly

For reassembly, reverse the sequence used for dismantling



Hammer strut with main spring and main spring seat

- 33 Strut, hammer
- 34 Main spring
- 35 Spring pin
- 36 Seat, main spring

7.8. Hammer (29) assembly

7.8.1 Dismantling of the hammer (29) assembly

Sequence of operations :

- 1) Remove the locking insert (17), grip plates (48/49), trigger (20) assembly and stop, hammer (37)**
- 2) Press the seat, main spring (36) upwards until it is free from its mounting**
- 3) Remove the seat, main spring (36), main spring (34) and strut, hammer (33)**
- 4) Relax the spring, sear (25)**
- 5) Push out the shaft, sear (26) and safety lever (28)**
- 6) Remove the safety lever (28), sear (24) and spring, sear (25)**
- 7) Remove the ejector (32)**
- 8) Push out the hammer pivot pin (31) from the hammer (29)**
- 9) Remove the hammer (29)**

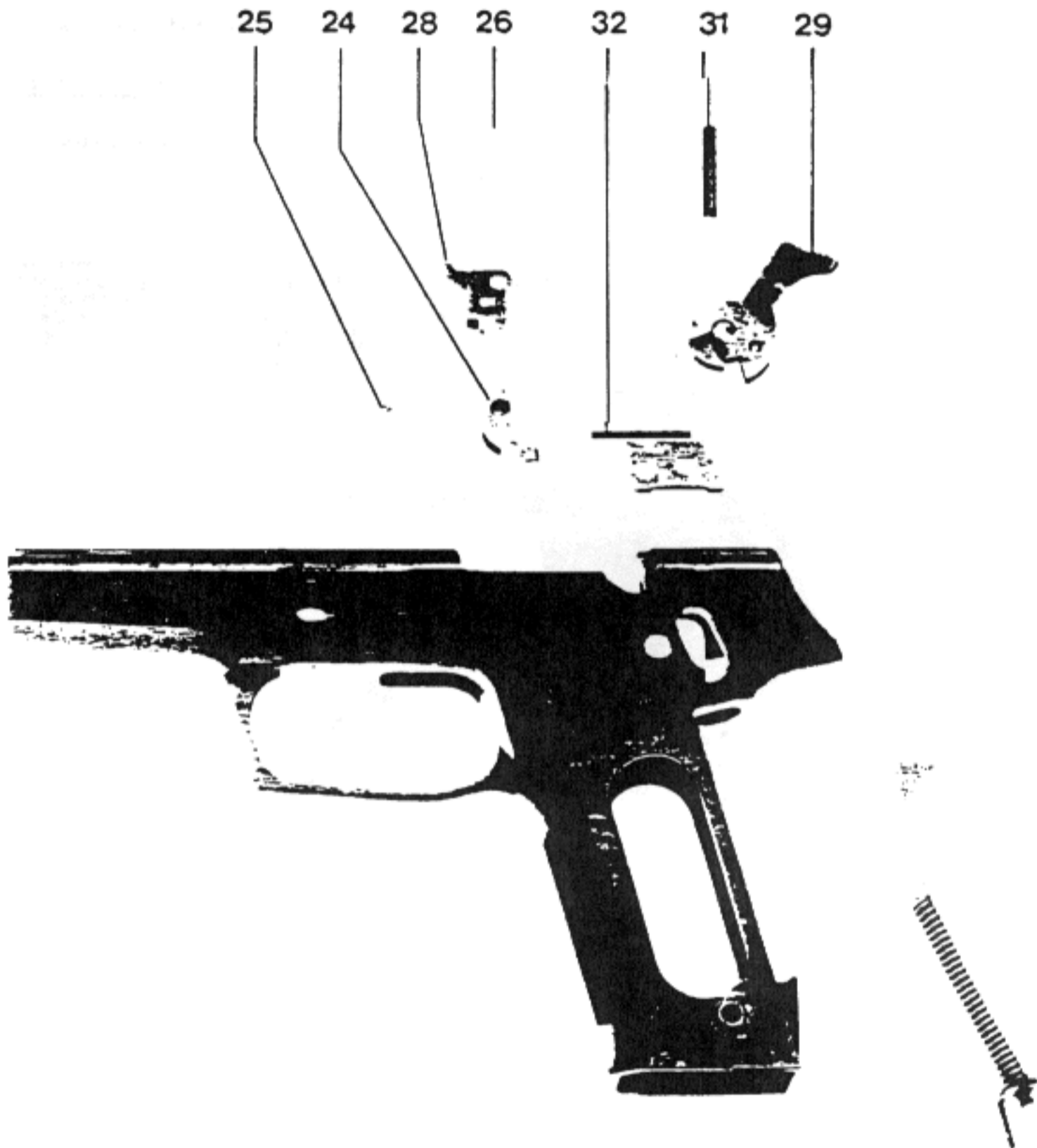
7.8.2 Reassembly

Sequence of operations :

- 1) Install the hammer (29)**
- 2) Install the ejector (32)**
- 3) Push in the shaft, sear (26), from the right, insert the safety lever (28) and anchor it with the shaft, sear (26)**
- 4) Insert the sear (24) from below. Push in the shaft, sear (26) further until the sear (24) is secured**
- 5) Fit the spring sear (25). Push in the shaft, sear (26) completely**
- 6) Using a screwdriver, tension the spring, sear (25) and position its end beneath the spring, pin H . D. (27)**
- 7) Introduce the strut, hammer (33), main spring (34), seat, main spring (36) to the hammer (29) (preferably with the hammer in the safety notch)**
- 8) Tension the main spring (34) somewhat and position the seat, main spring (36) in its mounting in the frame (15)**
- 9) Replace the trigger (20) assembly, stop, hammer (37), grip plates (48/49) and locking insert (17)**

Hammer assembly

- | | | | |
|----|--------------|----|------------------|
| 24 | Sear | 29 | Hammer |
| 25 | Spring, sear | 31 | Hammer pivot pin |
| 26 | Shaft, sear | 32 | Ejector |
| 28 | Safety lever | | |



7.9. Magazine catch (43)

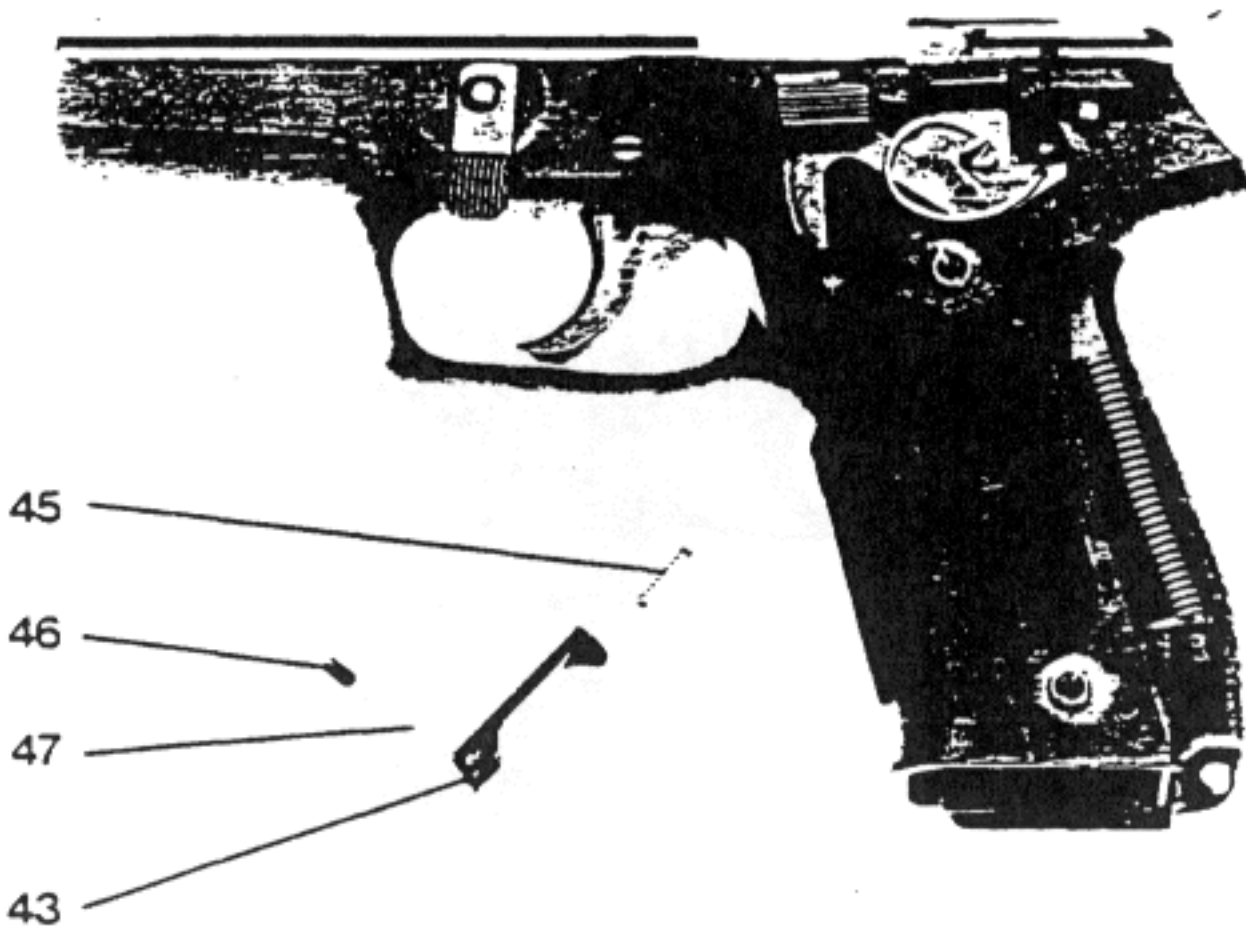
7.9.1 Removal of the magazine catch

Sequence of operations :

- 1) Remove the left grip plate (49)
- 2) Press the stop, magazine catch (46) inwards
- 3) Remove the stop, magazine catch (46) and spring, magazine stop (47)
- 4) Take out the magazine catch (43) and spring, magazine catch (45)

7.9.2 Reassembly of the magazine catch

For reassembly, reverse the sequence used for removal



43 Magazine catch
45 Spring, magazine catch

46 Stop, magazine catch
47 Spring, magazine stop

7.9.3 Changing over the magazine catch from left to right

- 1) Remove the magazine catch (43) as per 7.9.1
- 2) Remove the right grip plate (48)
- 3) Remove spring, trigger bar (23)
- 4) Remove support plate (44) and reinstall it on the left-hand side
- 5) Install the magazine catch (43) and spring, magazine catch (45)
- 6) Install the stop, magazine catch (46) and spring, magazine stop (47)
- 7) Fit spring, trigger bar (23)
- 8) Install right- and left-hand grip plate (48/49)



- 23 Spring, trigger bar
44 Support plate

8. Inspection

8.1. General

The gunsmith should carry out the following inspections:

- function inspection
- parts inspection

8.2. Function inspection

A functions check is to be carried out on the assembled weapon:

- to determine causes of malfunction
- after repair work
- following after-use cleaning and during weapon inspections as well as after parts inspection and lubrication

8.2.1. Unload

Unload the weapon and remove the magazine

8.2.2. Recoil spring

Check the force of the recoil spring and smooth cycling of the slide. Carry out loading movement and check that the slide/barrel system springs forward smartly and locks. Repeat once.

8.2.3. Trigger and hammer mechanisms

a) Double action function

with hammer decocked, squeeze the trigger

check that the hammer cocks properly and then drops forcefully, coming to rest in the safety intercept notch

b) Interruption of trigger function

with decocked hammer and trigger fully pulled, carry out a loading movement

check that the hammer is retained in the cocked position (trigger remains fully pulled)

c) Single-action function

release the trigger fully and simultaneously.. ..

check that the trigger bar engages once more
and that, upon squeezing the trigger again, the hammer
is operated

d) Safety notch on the hammer

cock the hammer and then decock using the
decocking lever but without touching the trigger

check that the hammer is intercepted before reaching the
extreme dropped position

e) Decocking lever

cock the hammer

thumb down the decocking lever and check that the
trigger and hammer are brought to their rest position

8.2.4 Magazine

- condition of the magazine tube, the lips and of the floorplate
- correct securing of the floorplate by the insert
- smooth movement and springing of the feeder
- easy insertion of the magazine into the frame
- correct in and out movement of the magazine catch

8.2.5 Lever, slide catch

- with an empty magazine in place, carry out a loading movement. The slide must be arrested in the rear position by the lever, slide catch
- thumb down the lever, slide catch and check that the slide is released and forcefully springs forward
- thumb down the decocking lever

8.2.6 External condition of the weapon

- condition of the front and rear sights, grip plates and take down lever as well as tight seating of the sights and plates

8.2.7 Inspection of the numbered parts

- arrangement of the numbers on the barrel, slide and frame

8.3 Parts inspection

8.3.1 General

This inspection includes a close check of individual parts in respect of damage such as cracks, unacceptable deformation, smoothness and condition of all sliding and bearing surfaces, as well as function and condition of all springs.

Parts inspection is to be carried out with the weapon dismantled and cleaned:

- to determine causes of malfunction
- to examine carefully all stressed parts with a view to their replacement
- during maintenance work
- during weapon inspection

8.3.2 Parts inspection covers :

a) Barrel (1)

bore and chamber

- locking surfaces

b) Recoil spring (3) and guide, recoil spring (2)

c) Slide (4)

- ejection port, locking surface
extractor (10) (claw and spring)
firing pin hole
- arresting notch for the slide catch lever (18)
pin H .D. of the breechblock (7,8)
- safety lock (13), spring and function
projection of the firing pin
- front and rear sights (5,6), contrast markings

- d) **Frame (15)**
 - takedown lever (16)
 - locking insert (17)
 - trigger (20)
 - decocking lever (40)
 - slide catch lever (18)
 - ejector (32)
 - safety lever (28) and sear (24)
 - hammer (29)
 - stop, hammer (37)
 - magazine catch (43)
 - grip plates (48,49) and screws (50)

- e) **Magazine (51)**
 - magazine tube and lip (51)
 - floorplate, magazine (54)
 - insert magazine (55)
 - spring , magazine (52)
 - feeder (53)

9. **Zeroing**

For zeroing the pistol, the following front and rear sights are available:

Rear sight: sizes 5 - 10

The sizes differ in height in increments of 0.28 mm.

Target distance should be 25 meters. Zeroing is carried out on the basis of "sighting point equals point of impact".

Windage correction :

Shifting the rear sight 1 mm alters the point of impact by 15.62 cm at 25 meters.

If the hits are to the left then the rear sight must be shifted to the right.

Elevation correction :

Replacing the rear sight by the next size alters the point of impact by 4.8 cm at 25 meters.

If the hits are too high then a rear sight of the next lower size must be selected.

Front sight 5 - 9

The sizes differ in height in increments of 0.14 mm

Elevation correction :

Replacing the front sight by the next size alters the point of impact by 2.4 cm at 25 meters.

10. Malfunctions and their rectification

10.1. General

In a well kept and properly maintained weapon, malfunctions rarely occur.

10.2. Initial action upon malfunctioning

If malfunctioning occurs during shooting, proceed as follows:

- 1) Keep the pistol in the firing direction**
- 2) Pull the trigger again**
- 3) If cycling the slide also does not help, then unload the pistol**
- 4) Identify the cause of the malfunction**

10.3 Different types of malfunction and their rectification

10.3.1 Feed problems

Malfunction	Cause	Rectification
No cartridge fed into the chamber although the slide has returned forward	<ul style="list-style-type: none">- magazine not seated properly- magazine deformed or very dirty	<ul style="list-style-type: none">- insert magazine properly- insert fresh magazine; clean or repair the removed magazine
Cartridge blocks with its tip at the breech of the chamber	<ul style="list-style-type: none">- cartridge incorrectly fed	<ul style="list-style-type: none">- pull back the slide somewhat, line up the cartridge correctly, allow slide to spring forward
Slide does not close completely	<ul style="list-style-type: none">- weapon too heavily lubricated and dirty- cartridge dirty or grease ring is frozen- jamming in the slide guides, possibly damage- recoil spring weak or broken- foreign object between the guides and locking insert	<ul style="list-style-type: none">- remove grease, clean and lubricate as per specification- clean chamber and cartridge (in extreme low temperatures, remove the grease ring)- adjust for smooth sliding- replace recoil spring- clean and lubricate as per specification

10.3.2 Ignition problems

Malfunction	Cause	Rectification
Hammer springs forward but cartridge not ignited	<ul style="list-style-type: none">- firing pin jammed in its bore- firing pin broken- main spring weak or broken- lever, safety defective, firing pin is not liberated	<ul style="list-style-type: none">- squeeze trigger several times. If cartridge still not ignited, dismantle and correct breechblock assembly- replace firing pin- replace main spring- replace lever, safety

10. 3.3 Extraction and ejection problems

Malfunction	Cause	Rectification
Slide has sprung forward but spent case sticks in chamber	- too little rearward movement due to dirt, frozen grease or guide damage	- clean, correct the guides
Spent case jammed in the ejection port	- extractor defective - ejector defective - extractor weak	- replace extractor (10) - replace ejector (32) - replace extractor (10)

10.3.4 Other malfunctions

Malfunction	Cause	Rectification
After being squeezed, the trigger remains in the end position and is no longer under spring pressure	- trigger bar spring out of position or broken	- replace or correctly mount spring, trigger bar (23)
The cocked hammer cannot be tripped by the trigger	- cam on lever, safety broken off	- replace safety lever (28)
Slide is arrested before the last round	- spring, slide catch weak or broken	- replace spring, slide catch
Slide is not arrested after the last round	- notch on the slide or lever, slide catch defective	- replace slide catch lever (18) - repair arresting notch on slide
	- feeder jammed in upper part of magazine	- repair magazine (51)
Decocking lever does not spring back	- spring, decocking lever out of position or defective	- replace or correctly mount spring, decocking lever (42)
Hammer is not cocked by the loading movement (returns forward with the slide)	- arm of the spring, sear above the spring pin H.D. or broken	- install the spring, sear (25) correctly or replace it
	- hammer or sear defective	- replace hammer (29) or sear (24)

11. **Safety precautions**

11.1 **General safety precautions**

The weapon is always to be regarded as loaded until the user has assured himself of the contrary by carrying out the unloading procedure.

During manipulations, no one is to be in front of the weapon. The muzzle of the pistol is to be pointed forward, in the direction of firing or diagonally towards the floor.

For weapons handling practice, live ammunition may not be used.

During shooting and aiming practice, all marksmen are to be in one line abreast, spaced at intervals.

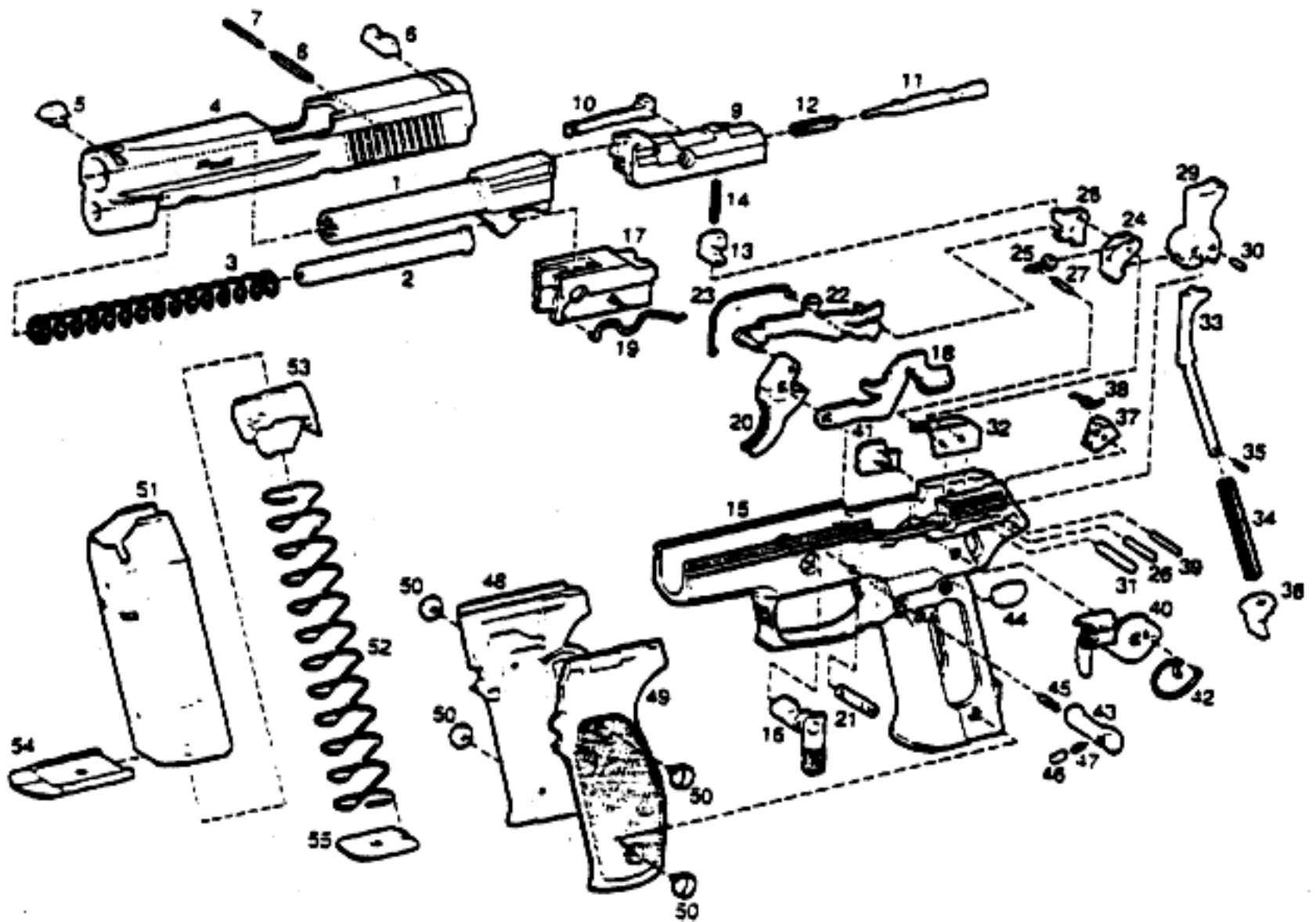
During shooting breaks, the hammer is to be de-cocked using the decocking lever.

Before a shooter moves away from the firing line, the pistol must be unloaded.

If a malfunction occurs during shooting, the user is to remain in position until the malfunction has been rectified.

When shooting with combat ammunition, ear protectors and glasses must always be employed.

12. Exploded drawing



13. List of parts

Pos.	Designation	Pos.	Designation
1	Barrel	30	Hammer strut pin
2	Guide, recoil spring	31	Hammer pivot pin
3	Recoil spring	32	Ejector
4	Slide	33	Strut, hammer
5	Front sight 5/6/7/8/9/10	34	Main spring
6	Rear sight 5/6/7/8/9/10	35	Spring pin
7	Inner pin H.D.	36	Seat, main spring
8	Outer pin H.D.	37	Stop, hammer
9	Breechblock	38	Spring, reset
10	Extractor	39	Pin
11	Firing pin	40	Decocking lever
12	Spring, firing pin	4 1	Bearing, decocking lever
13	Safety lock	42	Spring, decocking lever
14	Spring, safety lock	43	Magazine catch
15	Frame	44	Support plate
16	Takedown lever	45	Spring, magazine catch
17	Locking insert	46	Stop, magazine catch
18	Slide catch lever	47	Spring, magazine stop
19	Spring, slide catch	48	Right grip plate
20	Trigger	49	Left grip plate
21	Pivot, trigger	50	Screw
22	Trigger bar	51	Magazine tube
23	Spring, trigger bar	52	Spring, magazine
24	Sear	53	Feeder
25	Spring, sear	54	Floorplate, magazine
26	Shaft, sear	55	Insert, magazine
27	Spring pin H .D.		
28	Safety lever		
29	Hammer		

For further informations and spare parts please contact: