



# **Savage<sup>®</sup> Arms**

*The Definition of Accuracy*

Safe ownership is your responsibility.  
Please thoroughly read and understand this  
manual before loading your firearm.

Keep firearms and ammunition away from  
children. Lock unloaded firearms and  
ammunition securely in separate locations.

Savage Arms recommends the use of good  
quality high velocity factory manufactured  
ammunition.

## **INSTRUCTION MANUAL**

### **BOLT ACTION RIMFIRE: TARGET SERIES**

**MARK I .22 S.L., L.R.**

**MARK II .22 L.R.**

**(Illustration Booklet only)**

**IMPORTANT! DO NOT ATTEMPT TO LOAD AND SHOOT YOUR RIFLE UNTIL YOU HAVE THOROUGHLY  
READ THIS INSTRUCTION MANUAL AND ARE FULLY FAMILIAR WITH ITS CONTENTS**

[www.savagearms.com](http://www.savagearms.com)

## Directions For Care, Attaching and Adjusting of WILLIAMS FP RECEIVER SIGHT

---

### CARE

The Williams FP Receiver Sight is made of the highest grade alloy obtainable. Lubrication of the sight is just as important as the rifle. By removing the windage and elevation lock screws. (No. 1 on the diagram), a drop of oil in each of the holes and replacement of the locking screws will force oil through all working parts.

---

### ATTACHING

Mounting screws are 6-48 in most models and the proper drill for this tap is the No. 31. Whenever possible, manufacturers' mounting screw holes are utilized for installation. On some models, it is necessary to drill and tap. In any case, remove the upper portion of the FP from the base by the following manner.

Ease off elevation and windage locking screws and angular locking bushing screw (Figs. 1 and 2)

**CAUTION: NO. 1 SCREWS SHOULD BE BACKED OFF 1/4 TURN ONLY. THIS IS ALL THAT IS NECESSARY TO ALLOW ELEVATION AND WINDAGE SCREWS TO BE UNLOCKED. TURNING THESE SCREWS MORE THAN ONE TURN MAY DISENGAGE THE ELEVATION AND WINDAGE SCREWS MAKING IT POSSIBLE TO ADJUST UNTIL NO. 1 SCREWS ARE RESTORED TO PROPER POSITION. THESE LOCK SCREWS ARE PRECISION MADE. IT IS NOT NECESSARY TO APPLY EXCESSIVE FORCE TO LOCK WINDAGE AND ELEVATION SOLID.**

Turn the elevation screw counter-clockwise until the top portion of the sight is separate from the base. Clamp the base of the sight in its proper position on the receiver of the rifle, then mark the position of the front screw hole (if rifle is already drilled and tapped, this is not necessary) deeply with a sharp center punch to prevent the drill position from creeping, then drill with No. 31 drill and tap with 6-48 tap. Lubricate the tap well and turn about one-quarter turn at a time, backing up often to allow the lubricant to reach the cutting edge of the tap. Fasten the sight base to the receiver by this one screw and recheck for position. Mark the rear screw hole position, remove the base, mark and drill and tap as

before, then reassemble the sight. It is well to use loctite on the attaching screw threads; this will prevent any chance of the screw becoming loosened.

---

### ADJUSTING

To lower the point of impact, turn the elevation adjustment screw to the right, or clockwise. To raise the shot, turn the knob to the left, or counter-clockwise. To move the point of impact to the left turn the windage adjustment screw to the right, or clockwise. To move the shot to the right, turn the screw to the left, or counter-clockwise. For sight installed on the right hand side, the windage adjustment is reversed. Adjustments are micrometer, approximately one-quarter minute (determined by sighting radius). Set both elevation and windage locking screws up tight and set the angular locking bushing screw.

## Aperture Selection

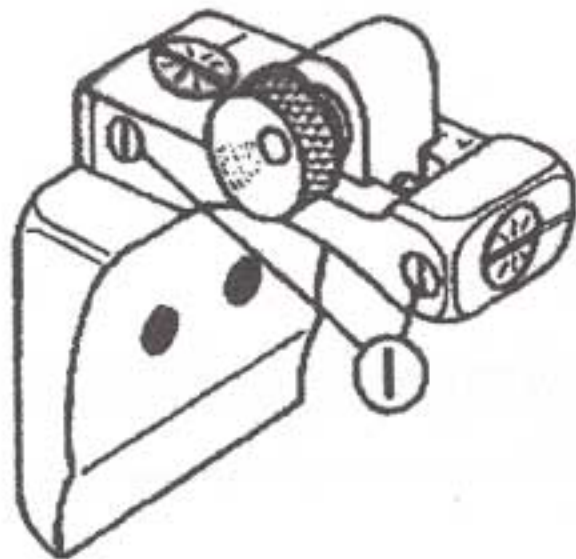


FIGURE 1  
Elevation and Windage Locking Screws

Unscrew counter-clockwise to remove to insert the aperture.

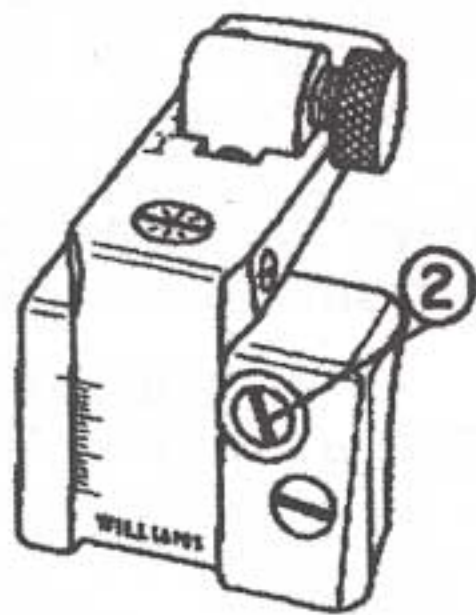
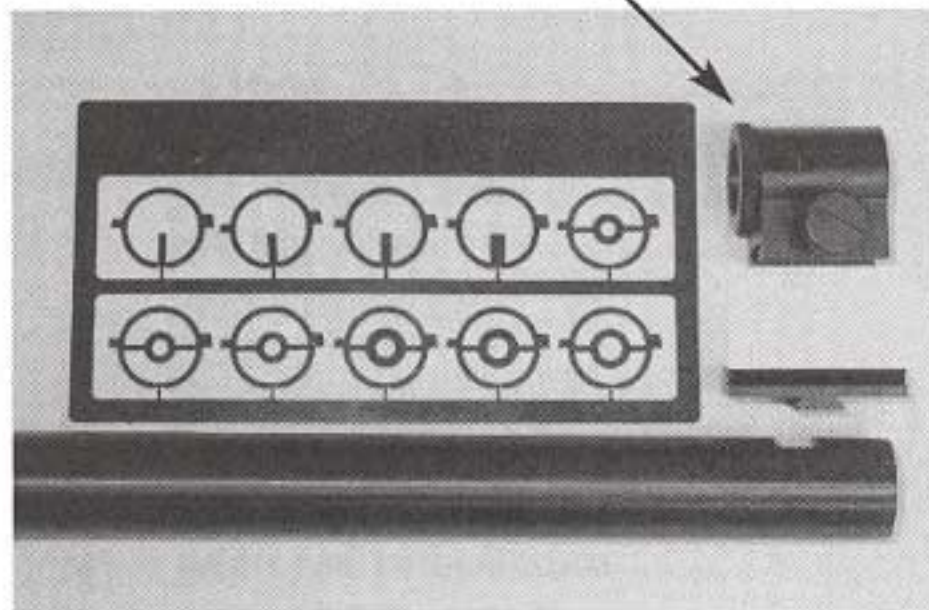


FIGURE 2  
Angular Locking Bushing Screw

## Front and Rear Sights

For warranty or replacement parts contact

**Williams Gun Sight Company**

"On the Range"

7389 Lapeer Rd.

P.O. Box 329

Davison, MI 48423

1-800-530-9028

Fax: (810)658-2140

[www.williamsgunsight.com](http://www.williamsgunsight.com)

**MARK I Target**

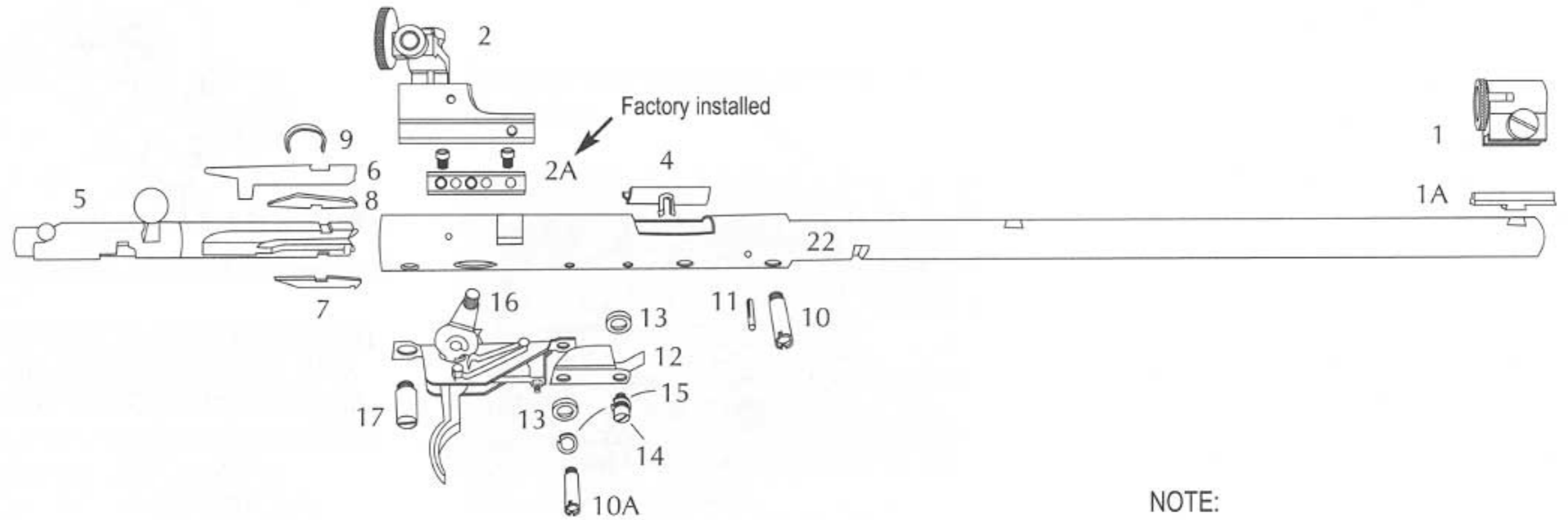
*PARTS MAY BE ORDERED DIRECTLY FROM SAVAGE ARMS [PHONE 413-568-7001] BETWEEN THE HOURS OF 9:00 AND 3:30 (EASTERN STANDARD TIME). THERE IS A MINIMUM ORDER AND PLEASE ALLOW 2 WEEKS FOR DELIVERY.*

*PLEASE BE ADVISED THAT SOME PARTS MAY REQUIRE FITTING. SAVAGE ARMS BEARS NO RESPONSIBILITY FOR THE FUNCTION OR PERFORMANCE OF ANY FIREARM THAT HAS BEEN REPAIRED OR MODIFIED BY OTHER THAN SAVAGE ARMS SERVICE DEPARTMENT. AS SUCH, SAVAGE ARMS ACCEPTS NO RESPONSIBILITY/ LIABILITY FOR ANY DIRECT AND/OR CONSEQUENTIAL DAMAGE AND/OR INJURY RESULTING FROM THE USE OF A FIREARM REPAIRED OR MODIFIED BY OTHER THAN THE SAVAGE ARMS SERVICE DEPARTMENT.*

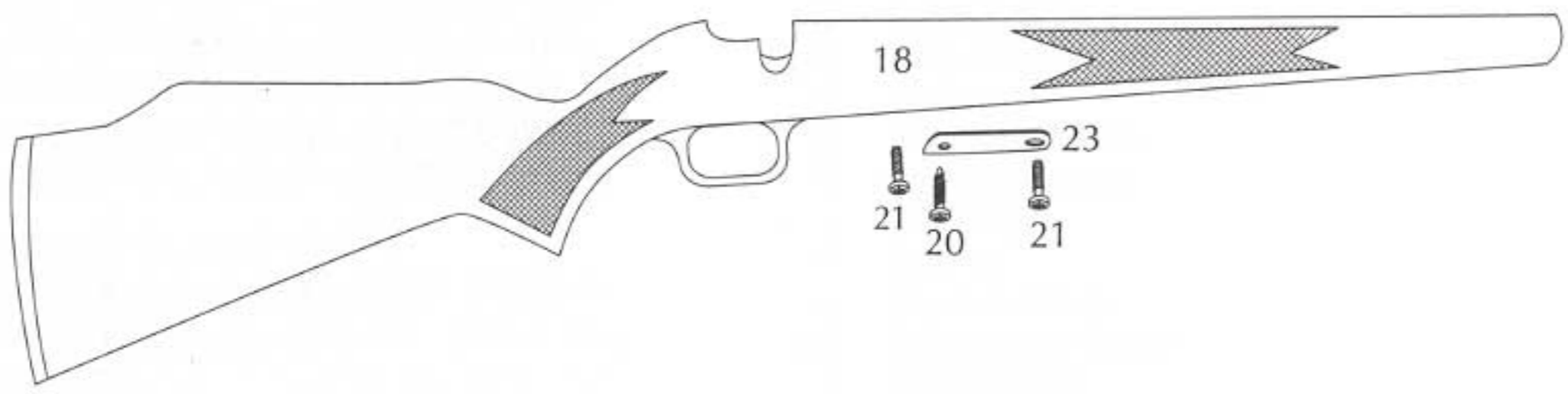
#	Description
1	Front globe sight
1A	Front sight base
2	Rear peep sight
2A	Sight mounting adapter
4	Feed ramp
*5	Bolt assembly RH
6	Firing pin
7	Extractor RH
8	Cartridge guide RH
9	Extractor spring clip
10	Front stud
10A	Stock assembly stud
11	Receiver pin
12	Bolt guide RH
13	Spacer washer (2 req'd)
14	Trigger/mag housing screw
15	Lock washer (2 req'd)
16	Trigger assembly RH
17	Rear stud
18	Target
	Stock synthetic RH
20	Mag plate screw
21	Stock assembly screw (2 req'd)
*22	Barrel/receiver assembly RH - Target
23	Mag plate

---

\* RESTRICTED TO FACTORY INSTALLATION ONLY



NOTE:  
 Front and Rear Sights by  
 Williams Gun Sight Company



MARK I

Not To Scale

**MARK II Target**

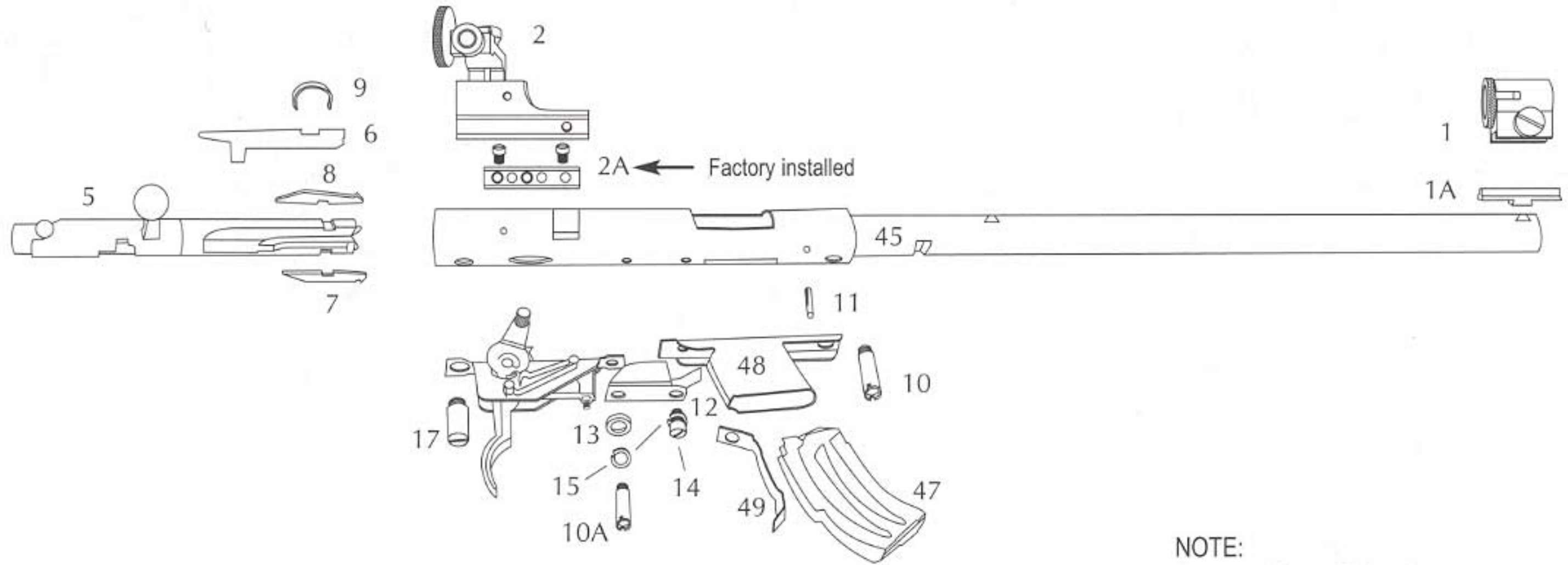
PARTS MAY BE ORDERED DIRECTLY FROM **SAVAGE ARMS** [PHONE 413-568-7001] BETWEEN THE HOURS OF 9:00 AND 3:30 (EASTERN STANDARD TIME). THERE IS A MINIMUM ORDER AND PLEASE ALLOW 2 WEEKS FOR DELIVERY.

PLEASE BE ADVISED THAT SOME PARTS MAY REQUIRE FITTING. **SAVAGE ARMS** BEARS NO RESPONSIBILITY FOR THE FUNCTION OR PERFORMANCE OF ANY FIREARM THAT HAS BEEN REPAIRED OR MODIFIED BY OTHER THAN **SAVAGE ARMS** SERVICE DEPARTMENT. AS SUCH, **SAVAGE ARMS** ACCEPTS NO RESPONSIBILITY/LIABILITY FOR ANY DIRECT AND/OR CONSEQUENTIAL DAMAGE AND/OR INJURY RESULTING FROM THE USE OF A FIREARM REPAIRED OR MODIFIED BY OTHER THAN THE **SAVAGE ARMS** SERVICE DEPARTMENT.

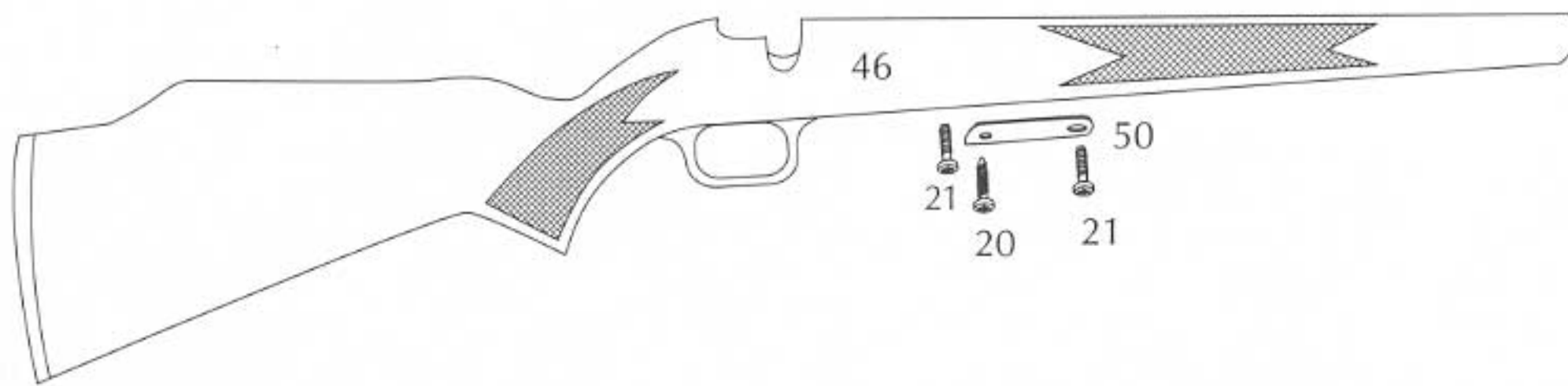
#	Description	
1	Front globe sight	*45
1A	Front sight base	46
2	Rear peep sight	47
2A	Sight mounting adapter	48
*5	Bolt assembly RH	49
6	Firing pin	50
7	Extractor RH	
8	Cartridge guide RH	
9	Extractor spring clip	
10	Front stud	
10A	Stock assembly stud	
11	Receiver pin	
12	Bolt guide RH	
13	Spacer washer	
14	Trigger/mag housing screw (2 req'd)	
15	Lock washer (2 req'd)	
16	Trigger assembly RH	
17	Rear stud	
20	Trigger guard/mag plate screw	
21	Stock assembly screw (2 req'd)	
		Barrel/receiver assembly RH - Target
		Stock synthetic RH - Target
		Magazine assembly 5 shot
		Magazine housing
		Magazine retaining spring
		Magazine plate

---

\* RESTRICTED TO FACTORY INSTALLATION ONLY



NOTE:  
 Front and Rear Sights by  
 Williams Gun Sight Company



MARK II

Not To Scale



## **WARNING**

Children are attracted to and can operate firearms that can cause severe injury or death. Prevent child access by always keeping guns locked away and unloaded when not in use. If you keep a loaded firearm where a child obtains and improperly uses it, you may be fined or sent to prison.



## **ADVERTENCIA**

A los niños los atraen las armas de fuego y las pueden hacer funcionar. Ellos pueden causarse lesiones graves y la muerte. Evite que los niños tengan acceso a las armas de fuego guardándolas siempre con llave y descargadas cuando no las esté utilizando. Si usted tiene un arma de fuego cargada en un lugar en que un niño tiene acceso a ella y la usa indebidamente, le pueden dar una multa o enviarlo a la cárcel.



**Savage Arms**  
*The Definition of Accuracy*

100 Springdale Road  
Westfield, Massachusetts  
USA 01085

248 Water Street  
P.O. Box 1240  
Lakefield, Ontario  
CANADA K0L 2H0

705429 Insert (04/05)

[www.savagearms.com](http://www.savagearms.com)