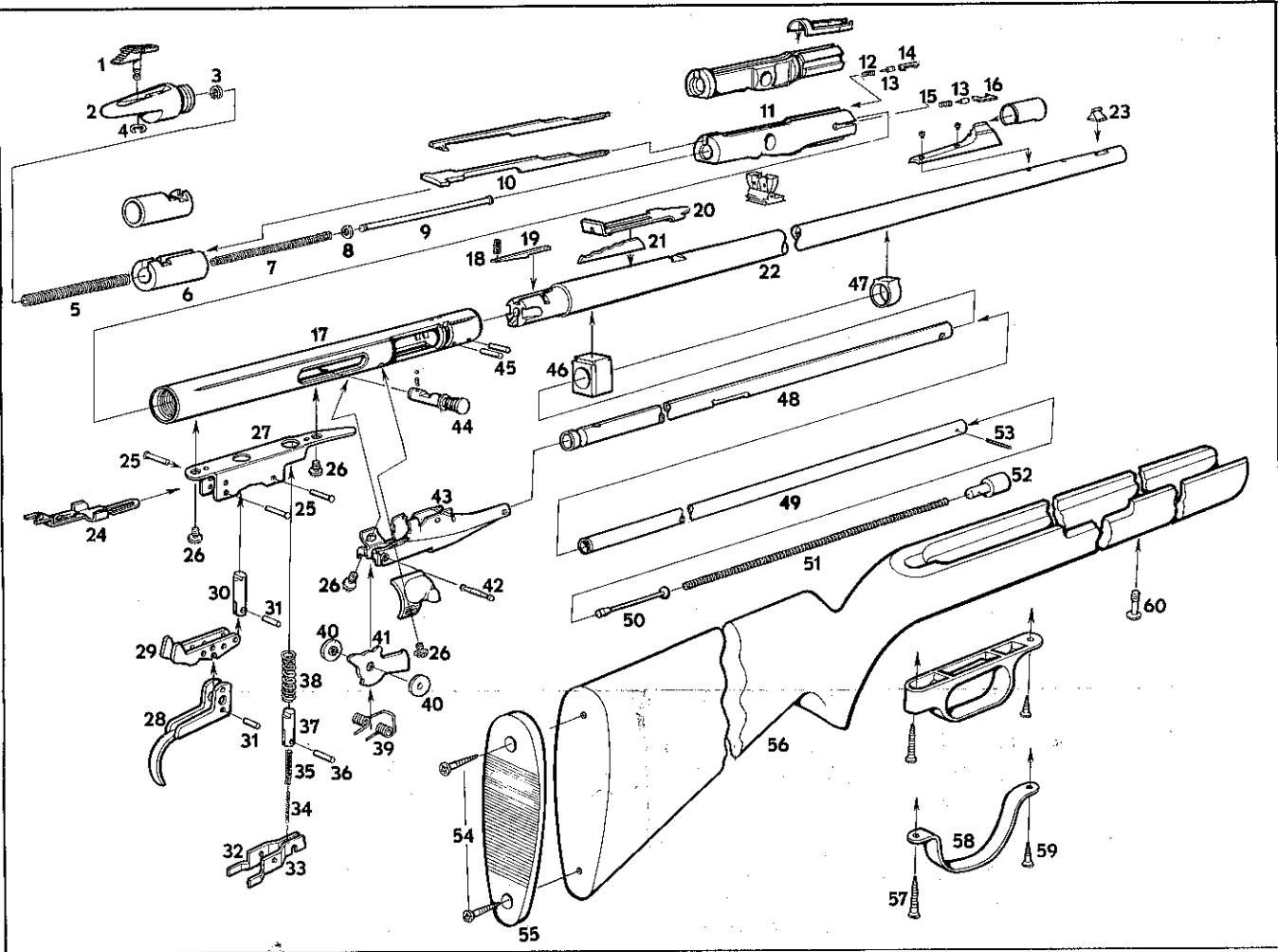


(When ordering parts, it is necessary to specify model number and letter, caliber or gauge, serial number if any)



C-487T-71

Key No.	Part No.	Part Name	Key No.	Part No.	Part Name	Key No.	Part No.	Part Name
1	87J-193	Safety Button	22	***487-1	Barrel	44	†A87-293	Magazine Guide Assembly
2	A87J-177	Recoil Plug Assembly	23	87-218	Front Sight	45	*88-731	Locking Bolt
3	76-111	Hammer Spring Washer	24	87J-645	Safety Slide	46	53-13	Barrel Pin
4	87J-763	Safety Button Retaining Ring	25	76-46	Trigger, Detent and Release Lever Pin	47	87-148	Magazine Mount, Rear
5	87H-110	Hammer Spring	26	87-085	Release Housing and Magazine Guide Screw	48	87-147	Magazine Mount, Front
6	88-107	Hammer	27	76-182	Release Housing	49	87-355	Outside Magazine Tube
7	†A88-107	Hammer Assembly	28	16E-760	Release Housing and Trigger Assembly	50	87-160	Inside Magazine Tube
8	76-26	Breech Bolt Spring	29	87-279	Trigger	51	†A87-160	Inside Magazine Tube Assembly
9	76-28	Breech Bolt Spring Washer	30	87-184	Release Lever	52	87-143	Magazine Follower
10	76-27	Breech Bolt Spring Rod	31	76-187	Release Plunger	53	66-156	Magazine Follower Spring
11	87N-77	Firing Pin	32	56-285	Trigger and Detent Plunger Pin	54	66-149	Magazine Plug
	***88-25	Breech Bolt	33	87-44R	Detent Lever, Right	55	66-150	Magazine Plug Pin
	***A88-25	Breech Bolt Assembly	34	87-44L	Detent Lever, Left	56	94-32	Butt Plate Screw
12	87N-68L	Extractor Plunger Spring, Left	35	76-68L	Detent Plunger Inner Spring	57	46-5	Butt Plate
13	87N-67	Extractor Plunger	36	76-49	Detent Plunger Spring	58	†65-616	Butt Plate Liner
14	87N-69L	Extractor, Left	37	94-93	Release Plunger Pin	59	A487-3	Stock
15	87N-68R	Extractor Plunger Spring, Right	38	76-47	Detent Plunger	60	15-103	Trigger Guard Screw, Long
16	87N-59R	Extractor, Right	39	76-189	Release Spring		87-99	Trigger Guard
17	*187J-2	Receiver	40	76-132	Lifter Spring		15-102	Trigger Guard Screw, Short
18	87-543	Bumper Spring	41	76-131	Lifter Spacer		87-268	Takedown Screw
19	87H-29	Bumper	42	87H-121	Lifter		†6-261	Swivel Loop Assembly Set
20	3-229	Rear Sight	43	76-129	Lifter Pin		†945-569	Web Sling
21	3-233	Rear Sight Step		87-293	Magazine Guide			

*Sold for factory installation only. Complete firearm to be returned to factory.

**Not sold to consumers. Must be installed by a gunsmith. Orders from dealers and distributors accepted with the understanding that parts will be fitted by a gunsmith.

†Parts not illustrated.

A MINIMUM NET CHARGE of \$2.00 has been established on all component parts orders to cover the cost of handling.

AUTOMATIC RIFLE

INSTRUCTIONS FOR USE

To Assemble: Fit barrel to stock by inserting trigger into trigger slot in stock. Attach barrel band. Be sure barrel stud fits into its hole in the stock. Tighten takedown screw until barrel and stock are rigidly joined.

To Disassemble: Perform reverse operation.

To Disassemble Action For Cleaning: Cock gun and lock bolt open. Be sure magazine and chamber are empty. Loosen takedown screw and remove stock. Disengage safety from recoil plug and sliding safety thumb piece to the rear. Draw out safety slide. Unscrew recoil plug, remove hammer, firing pin and locking bolt, hold back trigger and slide out breech bolt. To assemble, reverse operations and adjust recoil plug to fit bolt locked in open position.

Disassemble Action And Clean Thoroughly Every 1000 Shots.

This firearm and its component parts have been carefully tested and inspected during manufacture and assembly. The barrel has been proof-tested. The firearm has passed a thorough shooting and functioning test. This firearm should be used only with factory loaded ammunition of the gauge or caliber stamped on the barrel.

SERVICE

Savage has an extensive system of over 300 recommended gunsmiths to serve you. For addresses of those nearest you write: SERVICE DEPARTMENT, Savage Arms, Division of Emhart Corporation, Westfield, Mass. 01085 U.S.A. State model number, including series and letters marked on your firearm. When shipping be sure gun is completely unloaded, then pack securely and protect it on all sides.