

FINNWOLF

LEVER ACTION RIFLE

FINLAND
sako

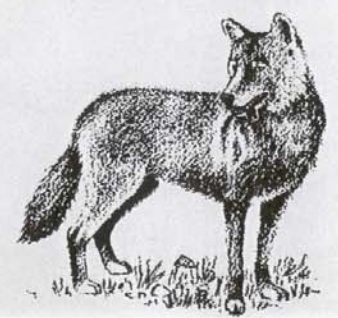
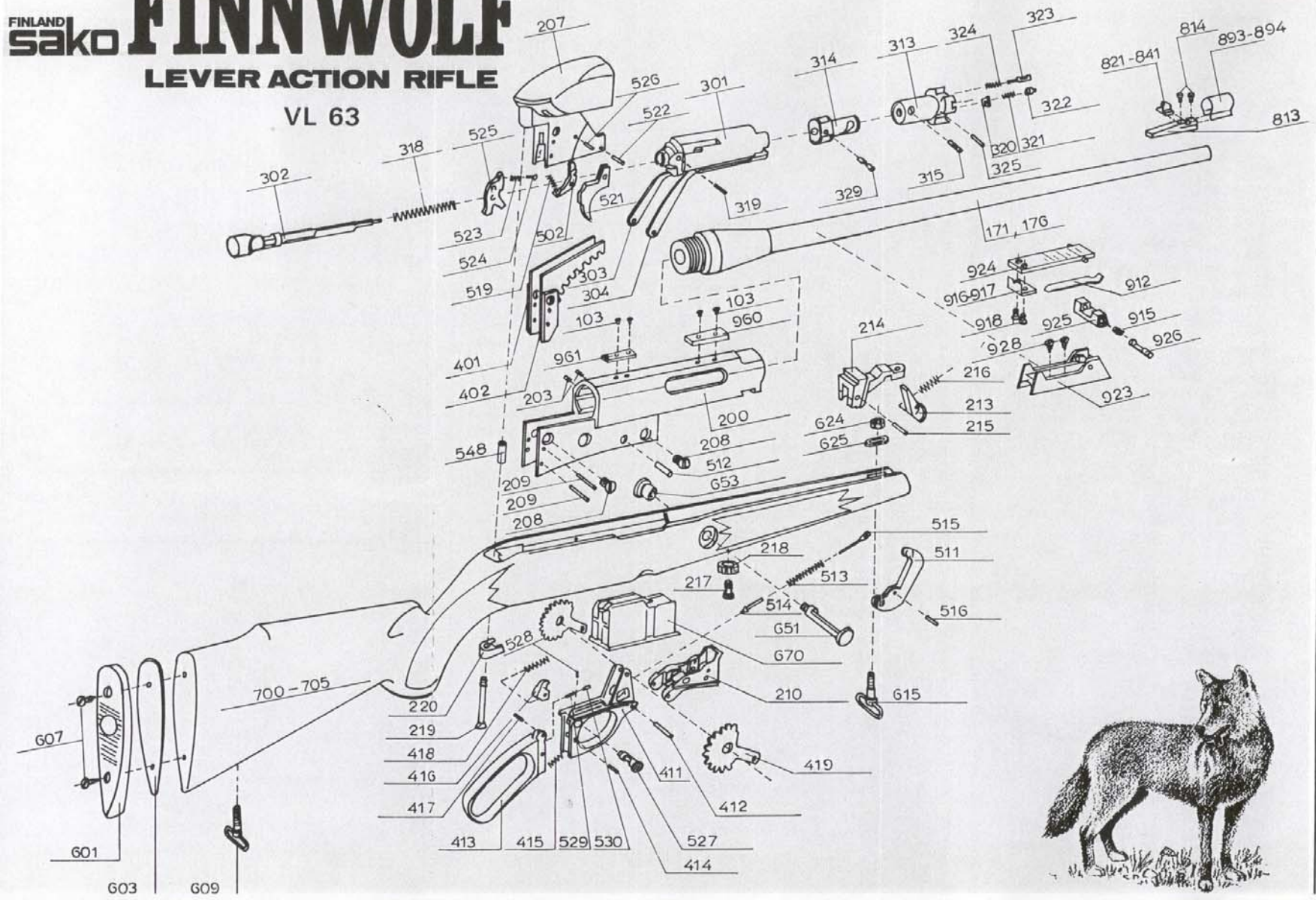
Rifle	
SAKO VL 63	
Type	No
Caliber	
<input type="checkbox"/> .243	
<input type="checkbox"/> .308	
<input type="checkbox"/>	
Test pressure	
4200 kg/cm ² 60000 lbs/sq.in.	
Day of inspection	Inspector

FINLAND
Sako

FINNWOLF

LEVER ACTION RIFLE

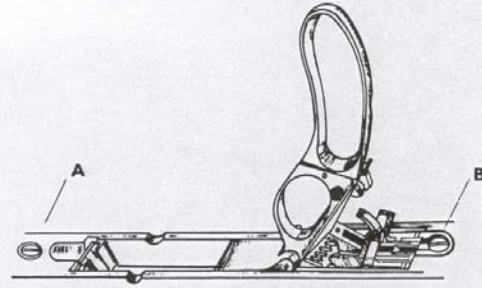
VL 63



VL 63 FINNWOLF

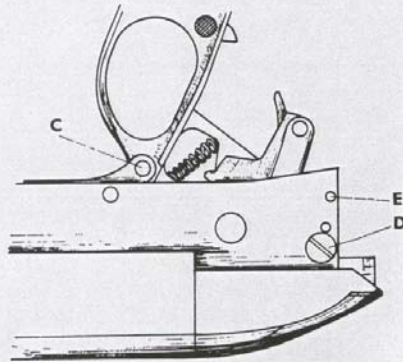
103	Scope mount block screw, length 4.5 mm	318	Firing pin spring	519	Hammer catch spring	821—	
171	Barrel cal. .243, standard	319	Firing pin dowel	521	Trigger	841	Front sight posts of different heights
176	Barrel cal. .308, standard	320	Extractor	522	Trigger pin	893—	
200	Receiver complete with side plates	321	Extractor spring	523	Trigger spring	894	Sight hood
207	Receiver rear piece	322	Extractor guide	524	Trigger spring rod	912	Sight bar spring
208	Rear tie screw, 4 pcs.	323	Ejector	525	Front safety	924	Rear tangent sight bar
209	Side plate dowel pin	324	Ejector spring	526	Front safety pin	925	Adjuster
210	Magazine rear stop	325	Ejector pin	527	Safety	926	Adjuster catch
213	Magazine catch	329	Connector link pin	528	Safety guide screw	915	Adjuster catch spring
214	Magazine catch body	401	Rack, complete, left	529	Safety spring	916	Open sight plate
215	Magazine catch pin	402	Rack, complete, right	530	Safety button	918	Open sight plate screw
216	Magazine catch spring	411	Trigger guard	548	Bushing	923	Sight body
217	Front fastening screw	412	Trigger guard pin	601	Butt plate, bakelite	960	Scope mount block, front
218	Front fastening screw base	413	Finger lever	603	Butt plate base	961	Scope mount block, rear
219	Rear fastening screw	414	Finger lever pin	607	Wood screw		
220	Rear fastening screw base	415	Finger lever spring	609	Stock swivel, complete		
300	Bolt, complete	416	Finger lever catch	615	Upper swivel, complete		
301	Bolt body and pin, complete	417	Finger lever catch pin	624	Upper swivel nut		
302	Firing pin, complete	418	Finger lever catch spring	625	Upper swivel washer		
303	Connector link, complete, left	419	Rack lever, 2 pcs.	651	Recoil lug		
304	Connector link, complete, right	502	Hammer catch, complete	653	Recoil lug nut		
313	Breech bolt	511	Hammer	670	Magazine, complete		
314	Slide	512	Hammer pin	675	Magazine housing		
315	Bolt guide pin	513	Hammer spring	677	Magazine spring		
		514	Hammer spring guide	678	Magazine follower		
		515	Hammer spring guide rod	700	Stock, standard		
		516	Hammer spring guide rod pin	813	Ramp		

How to Remove the Stock



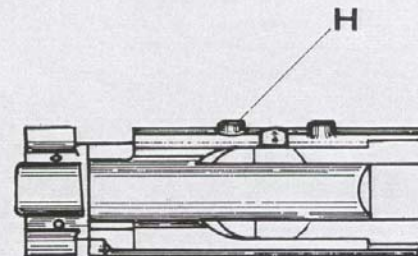
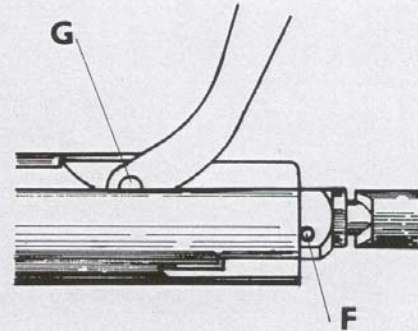
Remove the clip magazine.

Turn the rifle upside down and remove the fastening screws (Fig. 1 A and B). The stock will come off by pressing the butt down while holding the barrel with the other hand. Then pull the stock backwards and it will separate from the action with the rear fastening screw base.



How to Remove the Bolt

Remove the trigger guard pin (Fig. 2C) and the trigger guard assembly can be removed. Then remove the side plate screws and pins on both sides (Fig. 2D and E). Then pull the receiver rear piece backwards. After pressing the hammer down the bolt can be removed.



How to Disassemble the Bolt

Remove the firing pin dowel (Fig. 3 F) and then the firing pin and spring. Then push the connector link pin (Fig. 3 G) out and connector links come off. After removing the bolt guide pin (Fig. 4 H) the breech bolt together with the slide inside can be removed.

It is not recommended to try to disassemble the rifle without the appropriate tools.