



SMITH & WESSON



.22/32 Kit Gun M. R. F. • Model No. 51

PARTS LIST • INSTRUCTIONS FOR USE • MAINTENANCE
SPECIFICATIONS • GUARANTEE



SPECIFICATIONS

Caliber	22 M.R.F.	Frame	Round or square butt
Number of Shots	6	Stocks	Checked walnut Magna with S&W monograms
Barrel	3 1/2"	Finish	S&W blue or nickel
Length Overall	8" with square butt	Trigger	S&W grooving
Weight	24 oz.	Ammunition	22 Magnum Rim Fire
Sights	Front 1/10" serrated ramp. Rear: S&W Micrometer Click sight, adjustable for windage and elevation		

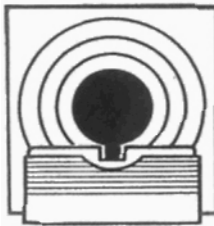
SMITH & WESSON

• A BANGOR PUNTA COMPANY

Springfield, Massachusetts, U. S. A.

HELPFUL HINTS

1. Push thumb piece forward, swing out cylinder and load.
2. Close cylinder and take position on firing line.
3. STAND in a relaxed and comfortable position, feet well apart. The arm when raised should line naturally with the target. If it does not, shift the feet a bit.
4. HOLD the gun firmly but do not seize it with a "death grip". If the knuckles are white, the grip is too tight.



5. LINE the sights carefully, top of front sight even with top of rear notch, and light equal on both sides of front sight (see illustration).
6. SQUEEZE the trigger with trigger finger only, carefully keeping the sights aligned on the target. SQUEEZE is the most important function

of shooting. A pull or yank on the trigger will surely disturb alignment and result in a poorly placed shot or a complete miss. DO NOT apply the SQUEEZE with the whole hand. The squeeze should be applied between the tip and first joint of the trigger finger. Slowly at first — speed will develop with practice.

7. Watch the sights. Learn to "call your shots" before looking for them on the target. Practice "dry shooting" with empty gun. Watch sights when hammer falls. If sights jump or duck you are not squeezing the trigger. Don't hold the shot too long. If the sights don't line up on the target in 15 seconds, take the arm down and rest for a moment. Remember, good revolver shots are not born; they are made by careful and consistent practice.

SIGHT ADJUSTMENT

1. Front sight is fixed. All adjustments must be made at the rear sight.
2. Move the rear sight in the direction in which you wish the group on the target to move. (If group must be higher, elevate the rear sight. If group must go to the right, move the rear sight to the right, etc.)
3. To elevate rear sight turn top (elevating) screw to the left, or counterclockwise. To depress rear sight turn top (elevating) screw to the right, or clockwise.
4. To move rear sight to right, turn side (windage) screw to the right, or clockwise. To move rear sight to left, turn side (windage) screw to the left, or counterclockwise.

INSTRUCTIONS FOR USE

Care and Cleaning

Many weapons require stripping or at least partial disassembly in order to clean and oil them properly. This does not apply to the revolver, which may be cleaned and lubricated under all normal circumstances without removing a single pin or screw.

If at any time disassembly of the weapon is indicated for repairs, etc. it is recommended that the gun be returned to the factory, or you should at least employ the services of a qualified gunsmith.

To keep revolvers in proper condition, and to insure perfect functioning in time of need, it is essential that they be kept clean and coated with a rust inhibiting oil. Care is required to prevent rust, especially in damp, humid climates, or when sweaty hands come in contact with the guns.

To clean the revolver as required when the weapon is not fired, or when kept in storage, rub it externally with a lightly oiled cloth, and then swab out the bore and cylinder chambers with an oily flannel patch. Remove excess oil but leave a light film to protect the arm against rusting. Clean out all crevices with a small clean brush.

For cleaning after firing, scrub out the bore and chambers with an approved nitro solvent, and then use a brush dipped in solvent to remove all deposits from around the breech of the barrel, extractor head, and other adjacent areas which have been subjected to the action of powder or primer residue. If there is any evidence of lead particles, or other foreign matter left in bore or chambers, it is well to scrub these parts further with a bronze or brass brush dipped in powder solvent.

After cleaning off the entire gun with nitro or powder solvent, remove all traces of the solvent, both on the exterior of the gun and in the bore and chambers, following immediately thereafter with the application of a light film of oil. Note that there is usually some residue in the steel of both barrel and cylinder that works out and becomes apparent within from 24 hours to 48 hours after the initial cleaning. This can be removed with a bristle brush with perhaps a light re-application of powder solvent, after which the oil film should be re-established on all surfaces.

Do not store revolvers with a plug in the barrel, since this is a contributing factor to sweating. By the same token, maintenance or storage rooms should be kept at a constant temperature with the least possible humidity, and the guns should *not* be stored encased in anything which will attract or hold moisture, such as leather.

If revolvers are to be stored for a long period of time, the internal mechanism of the lockwork should be heavily oiled with an acid free lubricating oil, and the exterior of the guns, as well as the bore of the barrel and the charge holes of the cylinder, should be heavily coated with an anti-rust oil. It is an established fact that moisture is the greatest enemy of metallic objects, particularly in climates where temperature and humidity are high, and salt air is present. Extreme care should be exercised that all metallic surfaces be kept clean and oiled, and the wood stocks on the revolvers should be inspected for cracks caused by moisture. A periodical coat of raw linseed oil, well rubbed in with the hand, will help to prevent the splitting of stocks, but care must be exercised that the linseed oil does not get into the mechanism or on moving parts, as it has a tendency to gum when dry.

Safety Precautions

Before proceeding to use this weapon, a word of caution is in order. This gun is as safe to handle and use as we can make it, but there is no foolproof firearm. Used correctly by a competent person the revolver is one of the safest handguns. There are many safety rules but those found below are basic, and should be observed rigidly until they become second nature.

1. The gun must always be checked for live ammunition when picked up, drawn from the holster, or handed to or accepted from another individual.

2. The gun should always be holstered except when drawn for a definite purpose.

3. Never point the revolver at anything that you do not intend to shoot.

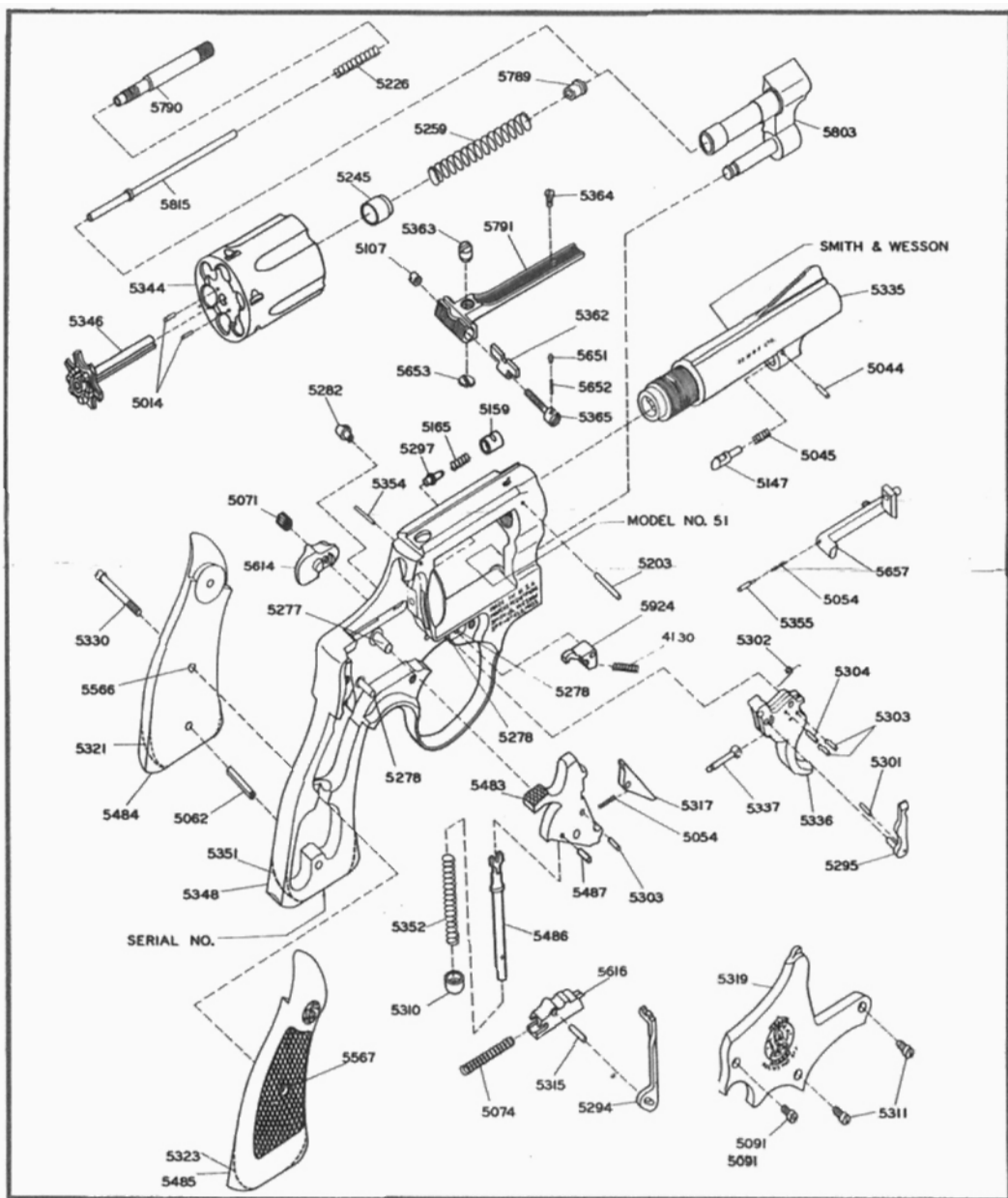
4. Do not cock the gun unless you intend to shoot it. Do not even insert the finger in the trigger guard until you are ready to fire.

5. Dry-snapping, even with dummy cartridges, should be discouraged unless same is performed on a regular target range or at a known inanimate target object.

6. When the handgun is out of the holster and held in a ready position, be absolutely certain that it is not pointing at any part of yourself or the persons of others who are in your immediate vicinity.

7. Beware of obstructions in the barrel. If, when firing, a weak or peculiar report is heard, cease firing at once and inspect the barrel for an obstruction. A stuck bullet, or any other object in the barrel, should be removed immediately, since even a plug of mud, snow, twigs, or an abnormal quantity of heavy grease in the bore, may result in a bulged or burst barrel.

8. At all times treat the revolver as the precision instrument that it actually is.



Function

The Smith & Wesson Model No. 51 target revolver is a 6-shot breech-loading hand weapon. It is produced with a solid frame and a swing-out type of cylinder, having 6 chambers around a central axis so that 6 shots may be fired before reloading is necessary. The weapon may be fired either single action or double action, and cocking the hammer by either method causes the cylinder to rotate and align the next chamber with the barrel. The rate of fire is limited only by the dexterity of the operator in reloading the cylinder and his ability to aim the weapon and pull the trigger.

Loading and firing this revolver is a comparatively simple operation, as follows:

Push the thumbpiece forward. This will release the cylinder so that it may be swung out to the left side for loading. Holding the gun so that the cylinder is in its outermost position, and with the muzzle pointing downward, insert cartridges in the charge holes making certain that they are firmly seated. Return the cylinder to its original position in the frame, pressing it firmly into place to make sure that it locks in alignment. The gun is now ready to fire.

In single action shooting the hammer is pulled or cocked to its extreme rearward position. The gun may then be fired by merely pressing the trigger. This type of shooting is used for deliberate fire where there is time to sight the gun carefully and squeeze the trigger in an unhurried fashion. It is also used in competitive shooting for not only slow fire but also for timed fire, whereby 20 seconds are allowed for the firing of each 5 shots, and rapid fire where 10 seconds are allowed for the firing of each 5 shots.

There is time even in rapid fire shooting for the deliberate handling of the gun in single action fashion just so long as the function is performed without loss of time and in a definite cadence whereby the cycle will be completed within the allocated time.

Where time or other circumstances do not allow for single action fire the revolver is used double action. To fire double action all that is necessary is to align the weapon with the object which you wish to hit and pull the trigger firmly all the way to the rear. This will cause the hammer to rise to its full cocked position and then fall to fire the cartridge, and as previously stated the only limit to the speed with which a weapon can be manipulated in this fashion will be determined by the dexterity of the shooter. This type of shooting is required in combat work or under emergency conditions where the gun must be used with great speed.

To extract the fired cases press the thumbpiece forward and swing the cylinder out to the left side. Turn the gun muzzle upward and holding the cylinder in its extreme outward position press down sharply on the extractor rod. This will eject the fired cases down and out of the gun, which is now ready to reload.

.22/32 Kit Gun M. R. F. • Model No. 51

PARTS LIST

PRICES EFFECTIVE MARCH 15, 1967 - Subject to Change Without Notice - MINIMUM ORDER \$1.00

No.	Name	Price	No.	Name	Price
4130	Cylinder Stop Spring	\$.20	5330	Stock Screw	\$.35
5014	Extractor Pin	.10	5335	Barrel, 3 1/2"	14.30
5044	Locking Bolt Pin	.10	5336	Trigger	4.15
5045	Locking Bolt Spring	.20	5337	Trigger Lever	.55
5054	Bolt Plunger Spring	.30	5344	Cylinder, with extractor, pins and gas ring	15.40
5054	Sear Spring	.30	5346	Extractor	4.40
5062	Stock Pin	.10	5348	Frame, with studs, bushing and lug (square) (factory exchange only)	33.00
5071	Thumbpiece Nut	.35	5351	Frame, with studs, bushing and lug (round) (factory exchange only)	33.00
5074	Rebound Slide Spring	.55	5352	Mainspring	.65
5091	Plate Screw, flat head	.20	5354	Firing Pin Bushing Pin	.10
5107	Rear Sight Windage Nut	.10	5355	Bolt Plunger	.20
5147	Locking Bolt	.90	5362	Rear Sight Slide	1.10
5159	Firing Pin Bushing	1.10	5363	Rear Sight Elevation Screw	.35
5165	Firing Pin Spring	.20	5364	Rear Sight Leaf Screw	.20
5203	Barrel Pin	.10	5365	Rear Sight Windage Screw	.35
5226	Center Pin Spring	.20	5483	Hammer	3.85
5245	Gas Ring	.45	5484	Stock, left hand, square	2.75
5259	Extractor Spring	.35	5485	Stock, right hand, square	2.75
5277	Hammer Stud	.65	5486	Mainspring stirrup	1.75
5278	Cylinder Stop Stud	.55	5487	Stirrup Pin	.10
5278	Rebound Slide Stud	.55	5566	Escutcheon	.35
5278	Trigger Stud	.55	5567	Escutcheon Nut	.35
5282	Frame Lug	.55	5614	Thumbpiece	2.20
5294	Hammer Block	.90	5616	Rebound Slide	2.75
5295	Hand	1.30	5651	Rear Sight Plunger	.10
5297	Firing Pin	1.10	5652	Rear Sight Plunger Spring	.10
5301	Hand Pin	.10	5653	Rear Sight Elevation Click Plug	.35
5302	Hand Torsion Spring	.20	5657	Bolt	2.85
5303	Hand Torsion Spring Pin	.10	5789	Extractor Rod Collar	.45
5303	Sear Pin	.10	5790	Extractor Rod	1.10
5303	Trigger Lever Pin	.10	5791	Rear Sight Leaf	4.40
5304	Hand Spring Pin	.10	5792	Rear Sight Assembly	9.35
5310	Mainspring Rod Swivel	1.00	5803	Yoke	6.15
5311	Plate Screw, crowned	.20	5815	Center Pin	1.10
5315	Rebound Slide Pin	.10	5924	Cylinder Stop	1.65
5317	Sear	1.00			
5319	Side Plate	7.15			
5321	Stock, left hand, round	2.75			
5323	Stock, right hand, round	2.75			

REFINISHING - SMITH & WESSON WILL REFINISH HANDGUNS OF ITS OWN MANUFACTURE AT THE FOLLOWING PRICES: Refinishing - either blue or nickel - \$12.00 Change of finish - \$15.50 No change of finish is offered on the Victory or Airweight models or on the Models 28, 39 or 60. The time requirement is usually less than 30 days, and if repairs are necessary the cost of parts would be in addition to the above figures.

SERVICE

Should your Smith & Wesson revolver require adjustment, repair or refinishing, we recommend most sincerely that the weapon be returned to the factory. There is no other way to insure that the work will be done in a properly equipped and staffed shop.

Charges are very reasonable, being based on the cost of parts replaced plus a labor charge for the time expended on the job. A labor charge for one hour is usually sufficient to cover all but very extensive overhaul jobs.

Revolvers returned to the factory should be **MARKED FOR THE ATTENTION OF THE SERVICE DEPARTMENT.** A letter of instructions should be enclosed with the gun, and shipment

must be made in accordance with existing laws. Adherence to these suggestions will prevent loss of time in handling at the factory.

When returning guns for service, please remove custom stocks and holsters. We cannot assume responsibility for these items.

When your revolver arrives in our Service Department it will be very carefully inspected, together with your letter of instructions. Next, a quotation covering total cost of work to be performed will be sent to you. No actual work will be commenced before receiving your approval of our quotation unless you specifically authorize us to do so.

STATEMENT OF LIABILITY

This gun is classified as a FIREARM or DANGEROUS WEAPON and is surrendered by us with the express understanding that we assume no liability for its re-sale or safe handling under local laws and regulations. Smith & Wesson assumes no responsibility for physical injury or property damage resulting from either intentional or accidental discharge, or for the function of any gun subjected to influences beyond their control, and will honor no claims which may result from careless handling, unauthorized adjustments, defective or improper ammunition, corrosion or neglect.

For your protection, examine your gun carefully at the time of purchase, then fill out and mail to us promptly the registration card bearing your gun's serial number which accompanies all new guns.

WARRANTY

The company will replace or adjust to its commercial standard any gun or part thereof returned prepaid to the factory and found by us to be defective in either material or workmanship. Such service will be made free of charge for one year from date of registered purchase. This warranty and statement of liability supersedes all previous warranties and commitments.

April 15, 1965