

INSTRUCTION MANUAL FOR



CALIBER
5.56mm NATO
.223 Remington

RUGER® **SR-556™**

AUTOLOADING RIFLE

This Manual Applies to SR-556 Rifles,
Serial No.'s 590-00001 and Above



**READ THE INSTRUCTIONS AND
WARNINGS IN THIS MANUAL CAREFULLY
BEFORE USING THIS FIREARM**

**For Product Service on This Model Please Call:
(603) 865-2442 (See p. 33)**

THIS INSTRUCTION MANUAL SHOULD ALWAYS ACCOMPANY THIS FIREARM AND BE
TRANSFERRED WITH IT UPON CHANGE OF OWNERSHIP, OR WHEN THE FIREARM IS LOANED OR
PRESENTED TO ANOTHER PERSON.

State-By-State Warnings

Certain states require by law that their own specified warning notices in larger-than-normal type be conspicuously included by the manufacturer, distributor, or retail dealer with firearms sold in that state. Sturm, Ruger sells its products in compliance with applicable laws and regulations. Because our products may be sold in these states, we include the following:

California:

⚠ WARNING

“Children are attracted to and can operate firearms that can cause severe injuries or death. Prevent child access by always keeping guns locked away and unloaded when not in use. If you keep a loaded firearm where a child obtains and improperly uses it, you may be fined or sent to prison.”

⚠ ADVERTENCIA

“A los niños los atraen las armas de fuego y las pueden hacer funcionar. Ellos pueden causarse lesiones graves y la muerte. Evite que los niños tengan acceso a las armas de fuego guardándolas siempre con llave y descargadas cuando no las esté utilizando. Si usted tiene un arma de fuego cargada en un lugar en que un niño tiene acceso a ella y la usa indebidamente, le pueden dar una multa o enviarlo a la carcel.”

Connecticut:

“UNLAWFUL STORAGE OF A LOADED FIREARM MAY RESULT IN IMPRISONMENT OR FINE.”

Florida:

“IT IS UNLAWFUL, AND PUNISHABLE BY IMPRISONMENT AND FINE, FOR ANY ADULT TO STORE OR LEAVE A FIREARM IN ANY PLACE WITHIN THE REACH OR EASY ACCESS OF A MINOR UNDER 18 YEARS OF AGE OR TO KNOWINGLY SELL OR OTHERWISE TRANSFER OWNERSHIP OR POSSESSION OF A FIREARM TO A MINOR OR A PERSON OF UNSOUND MIND.”

Maine:

“ENDANGERING THE WELFARE OF A CHILD IS A CRIME. IF YOU LEAVE A FIREARM AND AMMUNITION WITHIN EASY ACCESS OF A CHILD, YOU MAY BE SUBJECT TO FINE, IMPRISONMENT OR BOTH. KEEP FIREARMS AND AMMUNITION SEPARATE. KEEP FIREARMS AND AMMUNITION LOCKED UP. USE TRIGGER LOCKS.”

Maryland:

“WARNING: Children can operate firearms which may cause death or serious injury. It is a crime to store or leave a loaded firearm in any location where an individual knew or should have known that an unsupervised minor would gain access to the firearm. Store your firearm responsibly!”

Massachusetts:

“WARNING FROM THE MASSACHUSETTS ATTORNEY GENERAL: This handgun is not equipped with a device that fully blocks use by unauthorized users. More than 200,000 firearms like this one are stolen from their owners every year in the United States. In addition, there are more than a thousand suicides each year by younger children and teenagers who get access to firearms. Hundreds more die from accidental discharge. It is likely that many more children sustain serious wounds, or inflict such wounds accidentally on others. In order to limit the chance of such misuse, it is imperative that you keep this weapon locked in a secure place and take other steps necessary to limit the possibility of theft or accident. Failure to take reasonable preventive steps may result in innocent lives being lost, and in some circumstances may result in your liability for these deaths.”

“IT IS UNLAWFUL TO STORE OR KEEP A FIREARM, RIFLE, SHOTGUN OR MACHINE GUN IN ANY PLACE UNLESS THAT WEAPON IS EQUIPPED WITH A TAMPER-RESISTANT SAFETY DEVICE OR IS STORED OR KEPT IN A SECURELY LOCKED CONTAINER.”

New Jersey:

“IT IS A CRIMINAL OFFENSE TO LEAVE A LOADED FIREARM WITHIN EASY ACCESS OF A MINOR.”

New York City:

“THE USE OF A LOCKING DEVICE OR SAFETY LOCK IS ONLY ONE ASPECT OF RESPONSIBLE FIREARM STORAGE. FOR INCREASED SAFETY, FIREARMS SHOULD BE STORED UNLOADED AND LOCKED IN A LOCATION THAT IS BOTH SEPARATE FROM THEIR AMMUNITION AND INACCESSIBLE TO CHILDREN AND UNAUTHORIZED PERSONS.”

North Carolina:

“IT IS UNLAWFUL TO STORE OR LEAVE A FIREARM THAT CAN BE DISCHARGED IN A MANNER THAT A REASONABLE PERSON SHOULD KNOW IS ACCESSIBLE TO A MINOR.”

Texas:

“IT IS UNLAWFUL TO STORE, TRANSPORT, OR ABANDON AN UNSECURED FIREARM IN A PLACE WHERE CHILDREN ARE LIKELY TO BE AND CAN OBTAIN ACCESS TO THE FIREARM.”

Wisconsin:

“IF YOU LEAVE A LOADED FIREARM WITHIN THE REACH OR EASY ACCESS OF A CHILD YOU MAY BE FINED OR IMPRISONED OR BOTH IF THE CHILD IMPROPERLY DISCHARGES, POSSESSES, OR EXHIBITS THE FIREARM.”

* * * * *

Please check with your licensed retailer or state police for additional warnings which may be required by local law or regulation. Such regulations change constantly, and local authorities are in the best position to advise you on such legal matters.

LOCKING DEVICE INSTALLATION INSTRUCTIONS



WARNING – USE OF LOCKING DEVICES



**Do not store keys
in lock.**

- Always keep your firearm pointed in a safe direction, including when you are installing or removing your locking device.
- Always verify that your firearm is completely **unloaded** before installing your locking device.
- Do not install locking devices in the trigger guard; always keep your fingers and locking device outside the trigger guard during device installation and removal.
- Store firearms, ammunition and keys separately and securely, away from children and careless adults; do not store your firearm with the keys in the locking device.
- Do not attempt to work the action of your firearm with the locking device in place; this may damage your firearm.
- While locking devices are an important aid to security measures, they are not a substitute for safe firearm handling and proper storage. Remember that any mechanical device can be bypassed with enough time, knowledge, determination and equipment.

**LOCKING DEVICES MUST BE USED
SAFELY AND RESPONSIBLY**

Use the Correct Lock: While the basic locking device is substantially similar for all Ruger® firearms, due to the different shapes of the many Ruger® firearms, some firearms utilize different locking devices. The **RUGER® SR-556™** Rifles utilize a padlock and a steel clamp. **It is very important to use the correct locking device!**

To Install the Factory-Supplied Locking Device:

1. **Keep the muzzle pointed in a safe direction and your fingers outside the trigger guard at all times!**
2. **Be sure the firearm is completely unloaded and contains no cartridges or cartridge cases! Remove the magazine from your firearm.**
3. Lock the bolt to the rear by retracting the charging handle fully rearward depressing the bottom part of the bolt catch, and releasing the charging handle.

4. Apply the lock by placing the clamp into the ejector port and through the magazine well as shown below.
5. Close the lock by pressing the shackle through the hole in the clamp into the body of the lock (the part that receives the key) as tightly together as possible.
6. Once the lock is securely closed, remove the key and pull firmly on the lock to test the connection and be sure it is locked. **Do not leave or store your firearm with the key in the lock!** Store your locked unloaded firearm and the key in secure, separate locations, away from ammunition, children, or unauthorized adults.



*Correct Installation of Lock
For **RUGER**® **SR-556**™ Rifles*

FIREARMS SAFETY-YOUR RESPONSIBILITY

SAFETY MUST BE THE FIRST AND CONSTANT CONSIDERATION OF EVERY PERSON WHO HANDLES FIREARMS AND AMMUNITION.

This Instruction Manual is designed to assist you in learning how to use and care for your **RUGER® SR-556™** rifle properly. Please contact us if you have any questions about it.

Only when you are certain you fully understand the Manual and can properly carry out its instructions should you practice loading, etc. with live ammunition. If you have any doubts about your ability to handle or use a particular type of gun safely, then you should seek supervised instruction. Such personalized instruction is often available from gun dealers, gun clubs or police departments. If none of these sources can help you, write to the National Rifle Association, 11250 Waples Mill Road, Fairfax, VA 22030-7400. They will assist you.

The person possessing a gun has a full-time job. You cannot guess; you cannot forget. You must know how to use your firearm safely. **Do not use any firearm without having a complete understanding of its particular characteristics and safe use.**

Remember: There is no such thing as a foolproof gun.

TABLE OF CONTENTS

	Page
State-By-State Warning	2
Locking Device Installation Instructions	5
General Information	8
Nomenclature	9
Operation of Safety	9
The Bolt Catch	10
Ammunition	11
Magazines	12
To Load and Fire (With Magazine)	14
To Load and Fire (Without Magazine)	16
To Unload	16
To Reload the Rifle	18
To Extract and Eject a Chambered Cartridge	18
To Remove a Bore Obstruction	18
To Clear a Malfunction ("Jam")	20
To Minimize Malfunctions ("Jams")	21
Disassembly	23
Reassembly	26
Stock Adjustment	27
Quad Rail Handguard	27
Adjusting the Regulator	27
Magazine Inspection and Care	28
Care and Cleaning of the Regulator	28
Care and Cleaning	29
Storage	30
Sight Installation	31
Service and Parts Policy	33
Shipping Firearms for Repair	33
Ordering Parts	34
Parts List	35
Parts Drawing	39, 40, 41
The Basic Rules of Safe Firearms Handling	42
Warranty Information	48

"RUGER" is a registered U.S. trademark.



WARNINGS OF GREAT IMPORTANCE ARE FOUND ON THE FOLLOWING PAGES:

Locking Devices	5	Unloading	16
Alterations	8	Bore Obstructions	19
Manual Safety	10	Malfunctions	22
Ammunition	11	Disassembly	23
Lead Exposure	12	Lubrication	29
Firing	14	Storage	30
Handling	15	Shipping	33
Sustained Firing	16	Parts Purchasers	34

OTHER CAUTIONS AND WARNINGS APPEAR THROUGHOUT THE MANUAL.

**FIREARMS ARE DANGEROUS WEAPONS—
READ THE INSTRUCTIONS AND WARNINGS
IN THIS MANUAL THOROUGHLY AND
CAREFULLY BEFORE USING.**



WARNING—ALTERATIONS



This product was designed to function properly in its original condition. Alterations can make it unsafe. Do not alter any part or add or substitute parts or accessories not made by Sturm, Ruger & Co. Inc.

DO NOT ALTER ANY GUN

GENERAL INFORMATION AND MECHANICAL CHARACTERISTICS

The **RUGER® SR-556™** Rifle is a gas-operated, piston-driven, box magazine fed, autoloading rifle. It is simple, reliable, and consists of relatively few components. The mechanism employs the Ruger short stroke piston system in conjunction with a rotating bolt. The **SR-556™** Rifle can be field stripped for cleaning to its basic subassemblies in seconds without the use of tools.

The safety, located above the trigger on the left side of the lower receiver, blocks the trigger and permits the bolt carrier to be cycled with the safety in the on or “SAFE” position. A bolt catch mechanism is provided for convenience in holding the bolt open for loading and inspection. The firing pin is retracted mechanically as the bolt starts to unlock and the rifle will fire only when the bolt is locked.

NOMENCLATURE

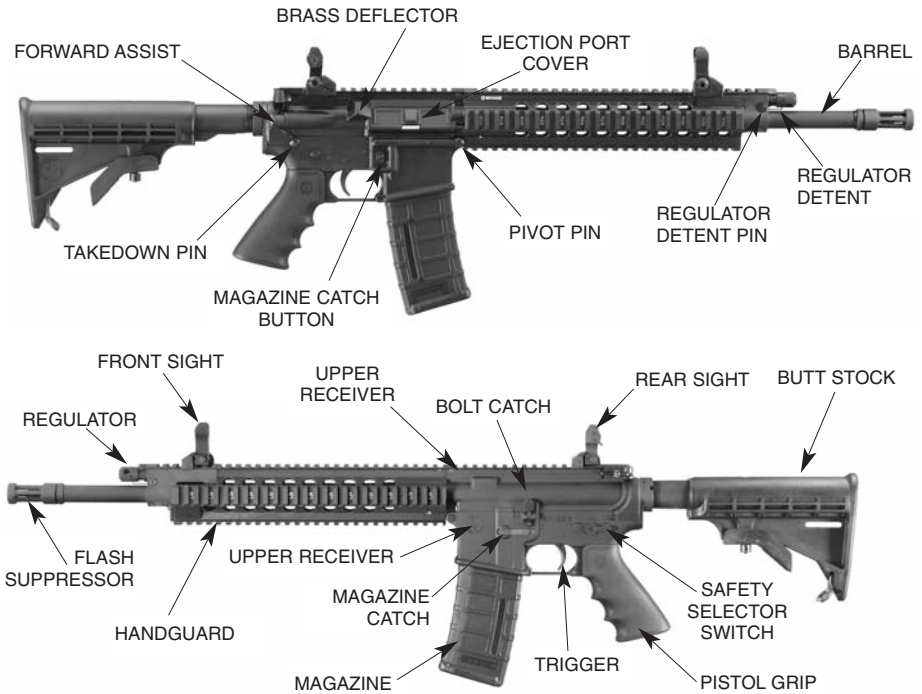


Figure 1. In these illustrations the frequently used operating components are identified.

OPERATION OF SAFETY

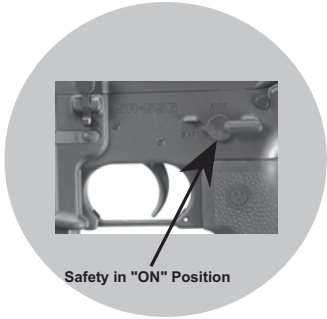
The manual safety mechanism is located above the trigger on the left side of the lower receiver for convenient operation and is on when in its fully horizontal position pointing to the the word “SAFE.” (See Fig. 2.) The safety can be moved to “SAFE” anytime the hammer is cocked. When the safety is on “SAFE,” it blocks the trigger. **The safety should always be placed on “SAFE” before loading or unloading the rifle and should be kept on “SAFE” at all times except when actually firing.**



Figure 2



WARNING – MANUAL SAFETY



Keep the safety on unless actually firing. Always move the safety fully to its intended position and **check** it. The safety is not “ON” unless it is completely “ON”. Never depend on a safety mechanism or any other mechanical device to justify careless handling or permitting the rifle to point in an unsafe direction. The only “safe” rifle is one in which the bolt is open, the chamber is empty, and there is no magazine in the gun.

KNOW HOW TO USE THE SAFETY

THE BOLT CATCH

The **SR-556™** Rifle is designed so that the bolt remains open after the last shot has been fired, provided there is a magazine in the rifle. When the magazine is empty, the magazine follower actuates the bolt catch, which is designed to retain the bolt and slide in their rearward position.

WARNING: The bolt catch is **NOT** a safety device. It should not be used to hold the bolt back when there are cartridges in the magazine. A slight jar to the butt end of the rifle **CAN** cause the bolt catch to disengage and to feed a cartridge into the chamber.

The bolt catch should be relied upon to hold the bolt in its rearward position only when the chamber is empty and an empty magazine is in place. The bolt catch is there for convenience when changing magazines and to hold the bolt in its rearward position when the rifle is unloaded for cleaning or inspection.

OPERATION OF BOLT CATCH

To hold the bolt carrier open: (See Figure 3.)

1. Pull the charging handle all the way to the rear.
2. Depress the bottom part of the bolt catch plunger and allow the bolt carrier to move forward until it stops.
3. Put safety on “SAFE” (pointing to the word “SAFE”).

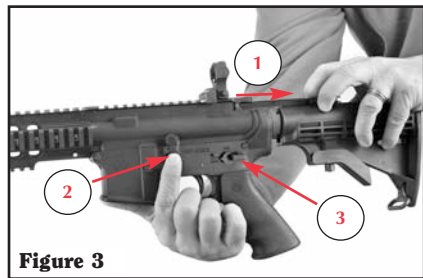
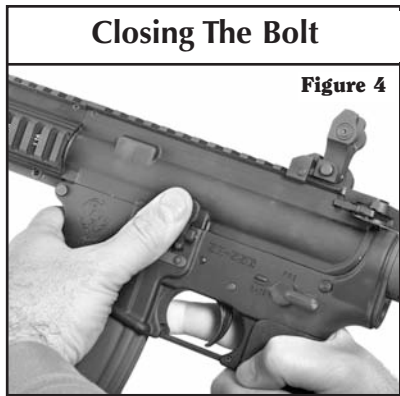


Figure 3

To release the bolt carrier (which allows the bolt to move forward) keep selector on "SAFE" and either:

1. Remove the magazine, draw the charging handle to the rear and release. Allow the handle to spring forward freely. Do not "ride" the charging handle or otherwise retard the forward motion.
2. Push the top part of the bolt catch toward the lower receiver and the bolt carrier will release. (See Figure 4.)






CAUTION: Bolt carrier is under heavy spring tension and can injure fingers when it slams shut.

AMMUNITION

The **RUGER® SR-556™** Rifles are chambered for the 5.56mm NATO and .223 Rem. cartridges. The **SR-556™** Rifle is designed to use either standardized U.S. military, or factory loaded sporting 5.56mm NATO or .223 Rem. cartridges manufactured in accordance with U.S. industry practice. See "Ammunition Notice" & "Warning - Ammunition," below.

USE ONLY FACTORY AMMUNITION LOADED TO U.S. INDUSTRY STANDARDS

 <h2>WARNING – AMMUNITION</h2>	
	Death, serious injury, and damage can result from the use of wrong ammunition, bore obstructions, powder overloads, or incorrect cartridge components. Even the strongest gun can be "blown up" as a result of excess pressure. <u>Always</u> wear shooting glasses and hearing protectors.
	IMPROPER AMMUNITION DESTROYS GUNS

AMMUNITION (CARTRIDGES) NOTICE

WE SPECIFICALLY DISCLAIM RESPONSIBILITY FOR ANY DAMAGE OR INJURY WHATSOEVER OCCURRING IN CONNECTION WITH, OR AS THE RESULT OF, THE USE IN RUGER FIREARMS OF FAULTY, OR NON-STANDARD, OR "REMANUFACTURED" OR HAND LOADED (RELOADED) AMMUNITION, OR OF CARTRIDGES OTHER THAN THOSE FOR WHICH THE FIREARM WAS ORIGINALLY CHAMBERED.



WARNING – LEAD EXPOSURE



Discharging firearms in poorly ventilated areas, cleaning firearms, or handling ammunition may result in exposure to lead and other substances known to the state of California to cause birth defects, reproductive harm, and other serious physical injury. Have adequate ventilation at all times. Wash hands thoroughly after exposure.

**SHOOTING OR CLEANING GUNS
MAY EXPOSE YOU TO LEAD**

MAGAZINES

RUGER® SR-556™ magazines are 30-round, 5.56mm magazines (marked on the follower) and are designed for use in the SR-556. Use only high-quality AR-style magazines which are clean and in good working order. Magazines that have been tested and approved for use with the **RUGER® SR-556™** are available through Ruger Accessories sales Monday through Friday, 8:00 a.m. - 4:00 p.m. at 1-888-220-1173 MST or 24 hours a day, 7 days a week on the web at www.ruger.com.

LOADING THE MAGAZINE

Use only clean, dry ammunition of the proper caliber 5.56mm NATO or .223 Rem. manufactured to U. S. Industry specifications, in good condition. (See Notice and Warnings in other sections of this manual pertaining to Ammunition).

With the short end of the magazine facing forward, place a round between the lips of the magazine with the bullet forward. Press the round down until it is held by the magazine lips. Place the next round and repeat until the desired number of cartridges are loaded.



**DAMAGED, NON-STANDARD, OR IMPROPERLY
ASSEMBLED MAGAZINES SHOULD NOT BE USED.
THEY CAN CAUSE THE RIFLE TO MALFUNCTION.**

INSERTING THE MAGAZINE

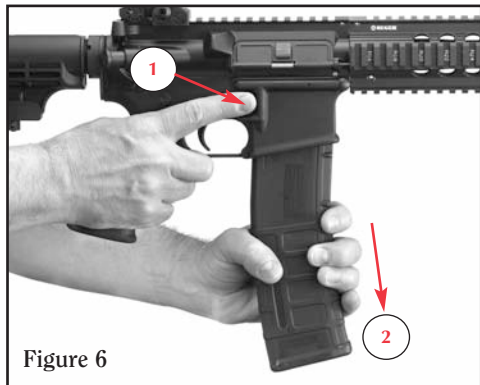
See Figure 5. The magazine may be inserted with the bolt carrier either in the closed or open position (see “Bolt Catch” section p. 10), although significantly more force will be necessary to insert the magazine with the bolt in the closed position.

1. Hold the magazine as shown and insert it all the way up into the magazine well.
2. Check to be sure that the magazine is securely latched into place.



REMOVING THE MAGAZINE

To remove the magazine, simply push the magazine catch button toward the side of the lower receiver until the magazine drops out of the magazine well. To minimize the possibility of damage and malfunctions, do not let the magazine drop to the ground (see Figure 6).



TO LOAD AND FIRE (WITH MAGAZINE)


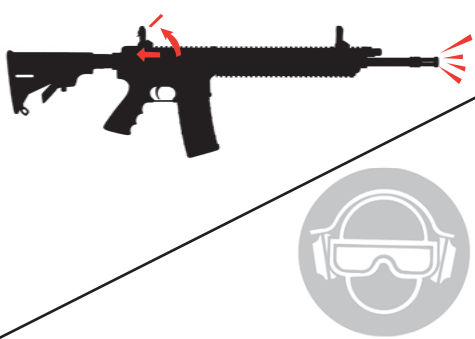
Practice this important aspect of gun handling (with an unloaded rifle) until you can perform each of the steps - described below - with skill and confidence. But before you do anything with the rifle, please first read completely through this manual. This procedure begins with an empty rifle with its magazine out.

1. Be certain the muzzle is pointing in a safe direction. (See Rule 2, p. 42.)
2. The gas regulator should initially be set on setting #2. For more information, see “Adjusting the Regulator” on page 27.
3. Before inserting a loaded magazine, engage the bolt catch so the bolt carrier is held open. Check the chamber to be certain it is empty. MOVE THE SAFETY TO THE ON “SAFE” POSITION. (See Figure 3, p. 10.)
4. Load a magazine with the desired number of cartridges.
5. Insert the loaded magazine into the magazine well, and push the upper pad on the bolt catch towards the side of the lower receiver. A cartridge will be stripped from the magazine and chambered by the motion of the bolt carrier.

WARNING: If cartridges do not feed smoothly from the magazine into the chamber then do not use the rifle until the problem is corrected. (See “Warning - Malfunctions,” p. 22.)

6. The rifle is now cocked and a cartridge is chambered. Visually check to be certain the safety is in the on or the “SAFE” position, and keep the rifle pointed in a safe direction.
7. When you are ready to fire the rifle, move the safety to the “FIRE” position.

WARNING: DO NOT TOUCH THE TRIGGER UNTIL YOU ARE ACTUALLY READY TO FIRE. KEEP THE SAFETY “ON” UNLESS ACTUALLY FIRING.

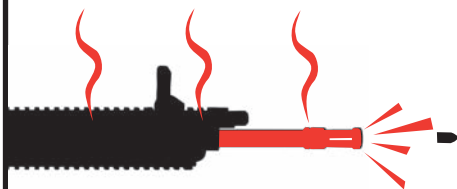
 WARNING – FIRING	
	<p>The bolt carrier automatically opens and shuts quickly while firing. Keep face and hands away from it. Hot brass and powder gas is ejected quickly and can burn you. The rifle should be fired from the right shoulder. Always wear shooting glasses and hearing protection.</p>
BOLT OPENS FAST— HOT BRASS EJECTED	

8. The rifle will fire one shot each time the trigger is pulled until the magazine is empty. Some of the gas produced by the combustion of the powder in the cartridge is used to drive the piston rearward. The piston drives the transfer rod rearward which, in turn, cycles the bolt carrier. This process ejects the fired cartridge case, recocks the gun, and loads a new cartridge from the magazine into the firing chamber.
9. **Immediately following the firing of a shot, and if a subsequent shot is not to be fired at once, put the safety in the on "SAFE" position while the rifle is still pointing in a safe direction.** The safety should be moved to the "SAFE" position as soon as firing is completed, and it should be on "SAFE" at all times except when the rifle is on target and being fired.
10. When the last cartridge in the magazine has been fired, the bolt catch will automatically engage and hold the bolt carrier in the rearward, open position.

 WARNING – HANDLING	
	<p>If dropped or struck with the safety "off", the rifle may fire. Keep chamber empty unless actually firing! Keep safety on in the "SAFE" position unless actually firing!</p>
ANY GUN MAY FIRE IF DROPPED	



WARNING – SUSTAINED FIRING



The SR-556 rifle fires from a closed bolt. Sustained firing can create excessive heat in the barrel and can cause “cook-off” of ammunition (heat-firing of the cartridge in the chamber). This “cook-off” can occur a substantial period of time after firing has ceased. Always unload the firearm and unload the chamber immediately after you have finished shooting.

**HOT BARREL CAN
“COOK-OFF” (FIRE)
CARTRIDGE IN CHAMBER**

TO LOAD AND FIRE (WITHOUT MAGAZINE)

The rifle can be used as a single shot rifle in the absence of a magazine or for safety or training purposes. To do so, follow steps 1 and 2, p. 14. Then, manually load a cartridge into the chamber, and follow steps 5 and 6, p. 14, disregarding the magazine. Note that the bolt will not automatically lock open after the cartridge is fired and automatically ejected. The regulator may be set to “0” (see p. 27) to require manual ejection of the spent cartridge (the spent cartridge may be difficult to extract manually). Engage the safety between shots.



WARNING – UNLOADING



So that the rifle can be used as a single loader, it will fire whether or not a magazine is in the gun if a cartridge is chambered. Removing magazine does not unload rifle! To unload, first remove magazine, then pull the charging handle to the rear, eject chambered cartridge, and visually inspect chamber. **The safety should always be in the “SAFE” position when loading or unloading the rifle.**

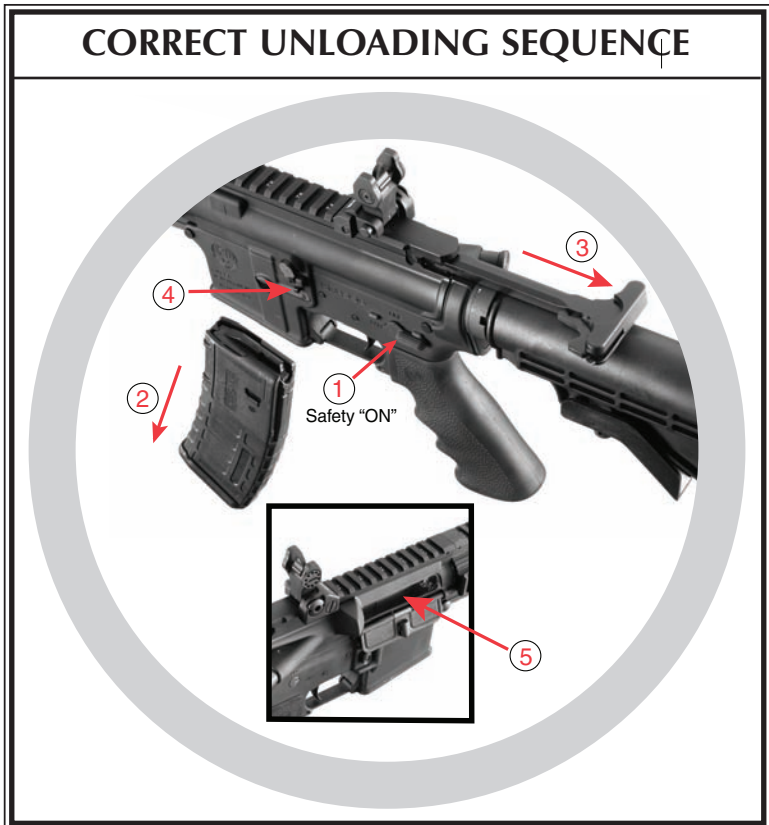
**GUN WILL FIRE WITH
MAGAZINE OUT**

TO UNLOAD

WARNING: This sequence must be followed exactly as spelled out. Failure to do so can result in the rifle’s chamber becoming unintentionally loaded with a cartridge!

1. Keep the muzzle pointed in a safe direction at all times and keep the fingers outside the trigger guard. **Rotate the safety to the “SAFE” position.**

2. Remove the magazine. **REMEMBER** that even though the magazine has been removed, a cartridge remaining in the chamber can still be fired!
3. Pull the charging handle all the way to the rear, extracting and ejecting the cartridge in the chamber.
4. When the bolt carrier is fully retracted, push down on the bottom pad of the bolt catch and then allow the bolt carrier to move forward until it comes to rest against the bolt catch.
5. **Always visually double check the chamber to be certain it is empty.**
6. The only “safe” rifle is one in which the bolt carrier is open and the chamber and magazine are empty, and the muzzle is pointed in a safe direction.



TO RELOAD THE RIFLE

1. Firing all cartridges in the magazine and the chamber will cause the bolt carrier to automatically lock open. **Keep the rifle pointed in a safe direction.** Put the safety in the “SAFE” position. Removal of the magazine can be accomplished by pressing inward on the magazine catch with the thumb or forefinger. The magazine will fall free of the rifle of its own weight. To avoid the possibility of damage to the magazine, do not let it fall to the ground.
2. Insert a loaded magazine. **WARNING: The bolt catch is held in place by friction between the bolt face and the rear surface of the bolt catch. Therefore, when there is a loaded magazine in place and the rifle is jarred, the bolt can release and chamber a cartridge.**
3. Release the bolt carrier to move forward by pushing in on the top pad of the bolt catch. A cartridge will be chambered when the bolt carrier shuts. **WARNING: The rifle is ready for instant use once the bolt carrier moves forward.** If the rifle is not to be fired immediately, keep the safety on “SAFE.” When you are ready to fire immediately, move the selector to the “FIRE” position and resume firing, putting the safety back on “SAFE” whenever you cease firing, even for a moment.

TO EXTRACT AND EJECT A CHAMBERED CARTRIDGE

When the rifle is fired, the same gas pressure that drives the bullet forward acts through the gas port to push the piston, transfer rod, and bolt carrier to the rear. This action causes extraction and ejection of the fired cartridge case. If a cartridge fails to fire or if the shooter wishes to eject the chambered cartridge manually, follow the procedure “To Unload” step 3, p. 17. When the charging handle is operated there can be a failure to extract the cartridge from the chamber, or a failure to eject the cartridge clear of the rifle. These failures usually are the result of the charging handle not being pulled rearward vigorously. From the foregoing, it is clear that the user must:



1. Always visually check the chamber after opening the slide to eject a chambered cartridge. If the charging handle is not vigorously retracted, the extracted cartridge can be “ejected” into the magazine area.
2. Thoroughly clean the chamber and the extractor as often as necessary.

If an empty magazine is in the rifle when the charging handle is being retracted to extract a cartridge, the cartridge may drop on top of the magazine or remain held to the breech-face by the extractor. Then, when the bolt carrier goes forward, the cartridge will be chambered again! **REMEMBER -- always remove the magazine before clearing the chamber, and visually check to ensure that no cartridges remain in the gun.**

TO REMOVE A BORE OBSTRUCTION

Rifles like the **RUGER® SR-556™**, which are chambered for small caliber, high-velocity cartridges, are particularly susceptible to damage from firing when the bore is obstructed. Excess oil, grease, or water may form an obstruction which could cause damage and injury. If you suspect that your rifle may have excess oil, grease or other contaminants in the barrel, or if it may have been

exposed to humid conditions which could cause condensation, or to rain or snow which might have entered the bore, open the bolt carrier and clean out the barrel. Inspect the bore visually to be sure that it is perfectly clear. (See “Warning - Ammunition,” p. 11 and “Care and Cleaning” section p. 28.)

	WARNING – BORE OBSTRUCTIONS
	<p>Before loading or shooting the SR-556, be certain the bore is unobstructed. <i>Firing the rifle with any obstruction in the bore may result in severe damage to the rifle and serious injury to the shooter and other persons nearby.</i></p>
	<p>A MISFIRE or unusual report (sound) upon firing is always a signal to cease firing immediately and after waiting for one minute, examine the chamber and bore of the firearm. It is not sufficient to retract the charging handle and examine the chamber. You must remove the magazine, clear the chamber, lock the bolt carrier open and inspect the chamber visually. Then close the bolt. Disengage the take down pin, remove the bolt and carrier (see “Disassembly” p. 24, steps 3 & 4) and inspect the bore visually, and with a rod if necessary - to be certain it is completely clear of any obstruction. Failure to detect and correctly remove a bore obstruction can result in serious injury to the shooter and bystanders, and damage to the firearm.</p>
	DO NOT “SHOOT OUT” A BORE OBSTRUCTION

A gun user should recognize that a lodged bullet is a fairly common form of bore obstruction. Therefore the following information on how a bullet may become lodged in the bore, and how it should be removed, deserves most careful reading and understanding!

1. When firing, a bullet may become lodged in the bore if the cartridge contains no powder, or the powder fails to ignite and only the primer charge ignites, producing insufficient force to propel the bullet out of the bore.
2. A bullet may also become lodged in the bore when extracting a cartridge from the chamber (unloading). If the bullet is not crimped tightly enough in the cartridge case, the bullet may stick in the bore, with only the case being extracted.

Experience indicates that the two conditions described above occur most frequently with *reloaded ammunition*.

When either of the above described (1 or 2) situations occurs, proceed as follows *with the rifle pointing in a safe direction*:

- a) If the rifle is cocked, move the safety to the “SAFE” position.
- b) Remove the magazine from the rifle.

- c) Retract the charging handle and lock it in the open position by pressing on the bottom pad of the bolt catch in the lower receiver. Retracting the charging handle should remove the cartridge case. Be certain the safety is in the “SAFE” position.
- d) Check the chamber to be certain there is no cartridge case in it – if there is, extract it before proceeding with steps (e) and (f).
- e) After making sure the chamber is clear and the magazine is removed, close the bolt, disengage the take down pin, remove the bolt and carrier (see “Disassembly” p. 24, steps 3 & 4) and inspect the bore visually and with a rod as necessary.
- f) If the bore is obstructed, insert a proper size cleaning rod (without a tip or brush) into the bore from the muzzle and dislodge and remove the bullet. If the bullet does not readily dislodge, it may be necessary to lightly tap the handle end of the cleaning rod. If such efforts fail to dislodge the bullet, take the rifle to a gunsmith. DO NOT ATTEMPT TO REMOVE A LODGED BULLET USING A BLANK CARTRIDGE, OR A CARTRIDGE FROM WHICH THE BULLET HAS BEEN REMOVED, OR BY ANY MEANS OTHER THAN THE USE OF THE PROPER SIZE CLEANING ROD AND REASONABLE FORCE APPLIED TO THE ROD. BE CERTAIN ALL LOOSE POWDER HAS BEEN REMOVED FROM THE BORE AND ACTION BEFORE INTRODUCING THE ROD INTO THE BORE. NEVER TRY TO SHOOT OUT A BORE OBSTRUCTION! See “Warning - Bore Obstructions,” p. 19.
- g) Reinspect the bore to be certain it is free of unburned powder particles or any other debris. At the same time clean the magazine, the magazine well, and other areas of the mechanism of unburned powder grains.

It is absolutely essential that steps (a) through (g) be followed if there is any suspicion that a bullet has been lodged in the bore because of the situations described in 1 or 2 above. Remember that a bullet can be lodged in the bore of a rifle just where the rifling begins, and a live cartridge can still be chambered and the bolt closed and locked. This can occur because the bullet in the chambered cartridge is pushed back into the cartridge case far enough to give the shooter the impression that the loaded cartridge has chambered normally.

Always check the bore for an obstruction if you experience difficulty in chambering a cartridge, experience a failure to extract, have a misfire, or the rifle does not make a normally loud report on firing.

RELOADERS SHOULD USE ONLY CANNELURED BULLETS AND BE SURE TO CRIMP THEM SECURELY IN THE CARTRIDGE CASE. NOTE: Sturm, Ruger & Co. specifically does not recommend the use of reloaded, hand-loaded or remanufactured cartridges. Please see “Ammunition Notice” p. 11.

TO CLEAR A MALFUNCTION (“JAM”)

If you experience a malfunction, study the situation to determine the nature of the malfunction and how best to clear it. Any autoloading firearm may occasionally malfunction. If it does:

1. Be certain the muzzle is pointed in a safe direction and the safety is in the on (“SAFE”) position.

2. When attempting to free a jammed cartridge, do not use any type of tool that is likely to act as a “firing pin” and discharge the cartridge should the tool impact on the primer. Never use a cartridge as a “tool.”
3. After clearing a jam, inspect the gun mechanism to determine if dirt or debris might be the cause of the problem. Excess lubricant or grease can cause cartridges to feed sluggishly. An accumulation of grease, dirt or powder grains in the magazine can contribute to cartridge feeding problems.
4. After clearing a jam, inspect all cartridges that have been removed from the gun. Safely dispose of any cartridges which are dented or nicked or have bullets that are loose or improperly positioned in the cartridge case.
5. If it appears that the gun and magazine are not at fault and that the jam was caused by the type of cartridge being used, then try another type or brand of cartridge.
6. If the above procedures do not result in a smooth and reliable feeding firearm, don't use the gun until it feeds cartridges smoothly and reliably. The rifle should be returned directly to our Newport Product Service Department for repair. See the “Service and Parts” section p. 33, for packing and shipping information.

Another precaution: Form the habit of examining fired cartridge cases from time to time. If fired cases have bulged heads or show splits on any part of the case, stop using that ammunition. If the problem persists with different types of ammunition, return the rifle to the factory for inspection. (See page 33.)

7. If a cartridge or shell is caught between the bolt carrier and receiver, put the safety on “SAFE,” retract the bolt carrier using the charging handle, and lock it in the open position using the bolt catch. Remove the magazine; then remove the jammed case.
8. If a fired case is in the chamber, use a cleaning rod to knock it out.
9. If an unfired cartridge is stuck in the chamber, keep the muzzle pointed in a safe direction with the safety in the “SAFE” position. Close the bolt, disengage the take down pin, remove the bolt and carrier (see “Disassembly” p. 24, steps 3 & 4), and remove the unfired cartridge from the breech-end rather than trying to dislodge it with a cleaning rod inserted from the muzzle. Use a piece of 3/16” brass rod which has one end shaped like a screwdriver tip. Insert the tip in the extractor groove of the cartridge, use the face of the ejection port as a fulcrum and carefully pry out the cartridge. **Be careful not to strike the primer area of the live cartridge!** Vigorously brush-clean the chamber with solvent after clearing any jam involving the chamber.

TO MINIMIZE MALFUNCTIONS (“JAMS”)




Autoloading firearms of all makes and types occasionally malfunction when a cartridge fails to feed from the magazine to the chamber, or when a cartridge (or fired case) fails to properly extract and eject.

To minimize the possibility of such occurrences the gun user should:

1. Use ammunition of the correct caliber 5.56mm NATO or .223 Rem. and type which is loaded to Industry Specifications. Avoid reloads, remanufactured cartridges, and cartridges that are dirty, corroded, or deformed. (See “Warning - Ammunition,” p. 11.)
2. Clean and lubricate the gun in accordance with the instructions in this manual.

3. If the mechanism shows signs of not functioning correctly, or if a part is damaged or broken -- don't use the gun. Have it inspected, and repaired. (See "Warning - Malfunctions," below.)
4. Use only high-quality AR-style magazines and carefully load the magazine. Do not exceed the stated magazine capacity. (See "Loading the Magazine," p. 12.)
5. Do not 'ride' the charging handle when chambering a cartridge from the magazine. The bolt carrier should be permitted to snap forward under the full force of the buffer spring. If a cartridge does not fully chamber, use the forward assist no more than twice to force the bolt carrier closed. If the cartridge is still not chambered completely, the round should be cleared as a jam (see page and "Warning - Bore Obstructions," p. 19.)
6. To minimize the probability of an unfired cartridge being jammed should it 'fall back' onto the magazine, remove the magazine *before* retracting the slide. When extracting an unfired cartridge, tip the right side of the rifle towards the ground so that gravity will assist the cartridge to fall clear of the ejection port. Always retract the charging handle briskly whenever extracting a live cartridge. Take care to see that a cartridge is not forcibly ejected against a surface where the primer might be set off.

Alterations to the rifle or use of non-Ruger accessories may cause malfunctions. See "Warning - Alterations," on page 8. If the above procedures do not result in a smooth and reliable feeding firearm, don't use the gun. The rifle can be returned directly to our Newport, New Hampshire Product Service Department for repair. See the "Service and Parts Policy" section, page 33, of this manual for packing and shipping information.

 <h2 style="margin: 0;">WARNING – MALFUNCTIONS</h2>	
	<p>A cartridge can be "discharged" before it is chambered if its primer receives a sharp blow. If a cartridge hangs up, jams, or binds when being chambered or when being fed from the magazine into the chamber, do not attempt to force it into the chamber by pushing or striking the bolt carrier. The forward assist may be depressed up to two times, after which time if the cartridge is still not chambered completely, the round should be cleared as a jam (see pg. 20). Any jam or feeding problem is a signal to immediately stop using the gun until it can be determined what is wrong. Most failures of a cartridge to feed or to chamber are caused by a damaged magazine, improper gun handling, or defective ammunition. Whatever the cause, cartridge jams can result in the potentially dangerous situation of a cartridge discharging before it is chambered. If this occurs, the cartridge case will rupture and its fragments will fly out of the gun with sufficient force to cause injury. Always wear shooting glasses and hearing protectors! Keep face away from chamber!</p>
	<p>STRIKING RIM OR PRIMER CAN BURST CARTRIDGE</p>



WARNING – DISASSEMBLY



Always unload a firearm before cleaning, lubrication, disassembly or assembly.

**UNLOAD BEFORE
CLEANING**

DISASSEMBLY

Be Sure Rifle Is Unloaded!

Although the **SR-556™** Rifle can be disassembled, reassembled, and cleaned in almost any surrounding, it is preferable to carry out these procedures on a workbench or table which has a covered top. A piece of shallow nap rug or an old blanket is an ideal covering. Such a covering keeps the rifle from slipping and being scratched.

1. With the rifle pointing in a safe direction, safety in the “SAFE” position, remove the magazine by pushing the magazine catch button inward to release magazine, while drawing magazine down (see Fig. 7).

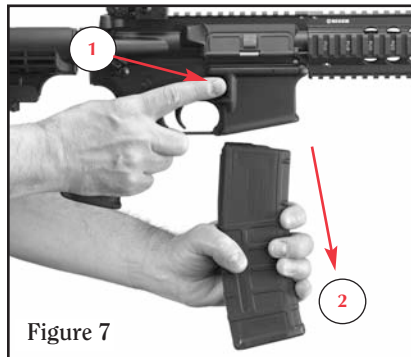
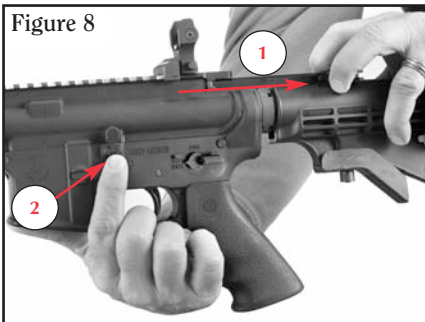


Figure 7

Figure 8

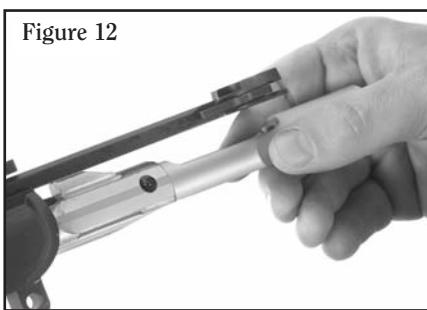


2. Pull the charging handle all the way to the rear and push and hold the bottom tab of the bolt catch and release the charging handle. Make sure safety is in the “SAFE” position (see Fig. 8). NOTE: Hammer must be cocked to place the selector in the “SAFE” position. Again, be sure chamber is empty!

3. On the left-hand side of the lower receiver push the rear take down pin to the right. From the right side of the rifle, pull the pin outward until the detent stops any additional travel. (See Figs. 9 & 10.)



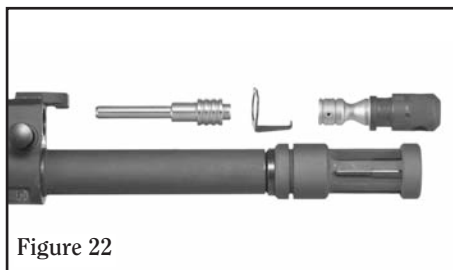
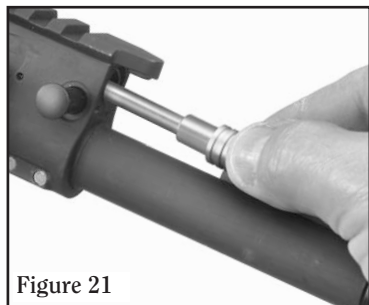
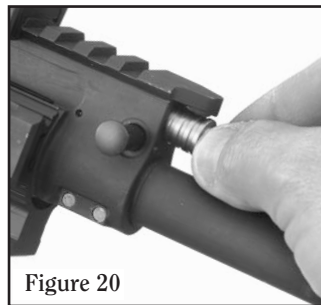
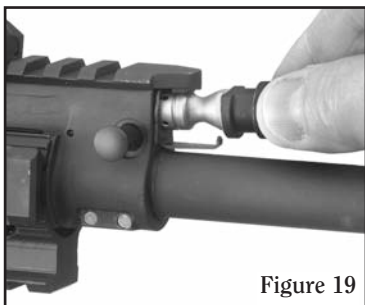
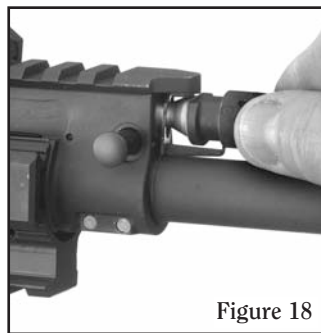
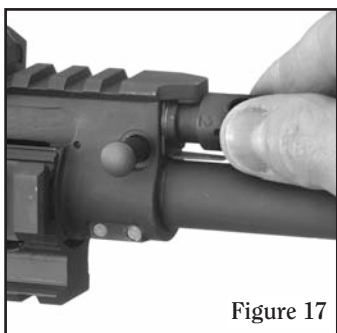
4. Tip the upper receiver forward on the front pivot pin, remove the bolt carrier and charging handle from the upper receiver (see Figs. 11, 12, 13, & 14).



5. If desired, remove the upper receiver from the lower receiver by pushing the pivot pin on the left side of the lower receiver to the right. Reach to the right-hand side of the lower receiver and pull the pivot pin to the right until the detent stops any additional travel. (See Figs. 15 & 16.)



6. Lift the upper receiver off of the lower receiver.
7. Push the regulator cam pin from left to right until the detent stops any additional travel. Remove the regulator, regulator detent, and piston by rotating the regulator until the flat lines up with the hook on the gas block. (See Figs. 17 - 22).



Removal of the gas block assembly and the handguard is not advisable. The gas block assembly is factory fitted using special fixtures and tools. Attempting to fit the gas block assembly without the required special equipment can result in damage to the components and malfunctioning of the rifle. Removal/replacement or service of the gas block assembly or the handguard must be performed by the Ruger factory.

REASSEMBLY

Again Be Sure Rifle and Magazines are Completely Unloaded!

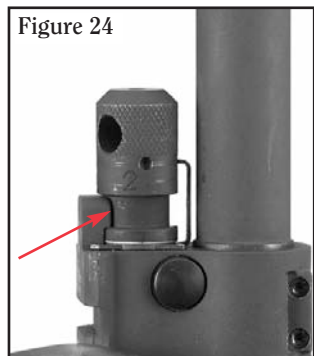
1. Reassemble the charging handle and bolt carrier into the upper receiver:
 - a. Turn the upper receiver upside down so that the top of the rifle is pointing toward the ground. Install the charging handle with the pick up lug pointing toward you. Slip the charging handle guides into the cut out in the upper receiver and leave the charging handle sticking out of the rear of the upper receiver. (See Figure 14, pg. 24.)
 - b. Turn the bolt carrier upside down and, making sure the bolt is fully forward, lay the bolt carrier on the charging handle and push both the bolt carrier and the charging handle forward until the charging handle lock engages the upper receiver. Care should be taken not to turn the upper receiver so that the bolt carrier can slide out the back of the upper receiver while the charging handle is unlocked. The bolt carrier will not fall out of the upper receiver as long as the charging handle is locked on the upper receiver. (See Figures 13, 12, & 11, pg. 24.)
2. Assemble the upper receiver to the lower receiver:

- a. Make sure the hammer is cocked (see Figure 23), place the selector on "SAFE," and make sure both the take down pin and pivot pin are pushed completely to the right side of the lower receiver. Make sure the bolt carrier is all the way forward in the upper receiver. Put the upper receiver onto the lower receiver and slide the upper receiver all the way rearward against the threaded section of the butt stock. Push the pivot pin into the receiver until the detent locks in the hole in the pivot pin. Push the take down pin into the receiver until the detent locks in the hole in the take down pin. (See Figures 10 & 9, pg. 24.)



3. Install the regulator:

- a. Drop the piston into the piston bore in the front of the gas block. Place the regulator detent on the front of the gas block and insert the regulator through the detent and then the piston bore. Rotate the regulator until its flat side is aligned with the gas block hook. Push the regulator into the gas block until the regulator rim is seated against the regulator detent (ensuring that the regulator detent arm clears the grooves on the regulator). Rotate the regulator so its rim engages the gas block hook (see Figure 24).



Push the regulator pin all the way in and set the regulator position to the desired setting. (See Figures 21 - 17, pg. 25.)

4. Pull back the charging handle fully to the rear. The bolt carrier should lock the bolt open automatically.

STOCK ADJUSTMENT

The **SR-556™** comes with a 6-position adjustable stock. There are locking holes on the underside of the extension tube and there is a spring loaded pin inside the butt stock. To adjust the stock, squeeze the rear part of the lever on the underside of the stock against the stock and slide the entire stock assembly in toward the lower receiver, or away from the lower receiver. Release the lever and move the stock slightly in or out until the pin snaps into one of the holes on the extension tube. Try the fit, and if necessary, readjust the stock. (See Fig. 25.)

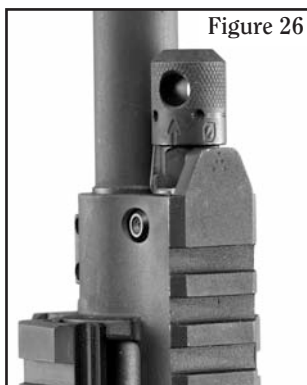


QUAD RAIL HANDGUARD

The **SR-556™** comes standard with a quad rail handguard. This handguard will accept all attachments designed to fit on a Picatinny or Mil-Spec 1913 rail.

ADJUSTING THE REGULATOR

The **SR-556™** has an adjustable regulator which controls the amount of gas that is used to cycle the piston and in turn the bolt carrier. The “0” location does not allow any gas into the gas block and causes the rifle to function as a single shot rifle. Rounds can be extracted, ejected and a fresh round loaded by retracting the charging handle briskly, fully rearward, and releasing it. (See Fig. 26.) There are three other gas port settings labeled “1,” “2” and “3” which vary in size, with “1” the smallest and “3” the largest. (See Figs. 27 - 29 on page 28.) **Use the smallest gas port setting that reliably cycles the action with the particular ammunition you are using.**

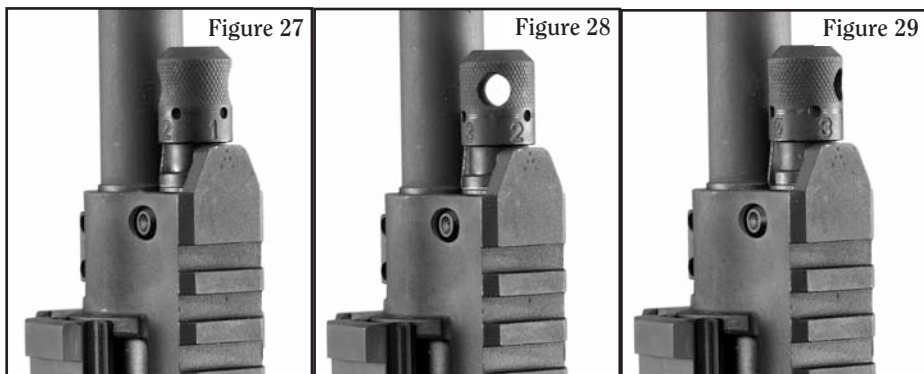


There is no benefit to running the rifle on a gas port setting larger than is necessary, and doing so may degrade long term endurance.

Most commercial ammunition will cycle optimally on setting “2,” which is an ideal starting point when first shooting the rifle with new ammunition.

A “late” ejection pattern, in which the brass ejects to the rear of the shooter, may be modified by increasing the gas port size, turning the regulator to a larger setting.

An “early” ejection pattern, in which the brass ejects to the front of the shooter, may be modified by reducing the gas port size, turning the regulator to a smaller setting.



To adjust the regulator, turn the knurled section by hand. A tool can be inserted into the cross hole for increased leverage if necessary.

It is important to ensure that the regulator detent locks in the detent in the regulator so that the gas port in the barrel lines up with the gas port hole in the regulator.

MAGAZINE INSPECTION AND CARE

Check the magazine frequently. The follower must move freely and have adequate spring tension so that each cartridge is quickly raised to the feeding position.

To test the spring tension, load one cartridge into the magazine and then firmly press against the cartridge case. Remove your finger quickly. The cartridge should instantly and fully move into the feeding position. If it does not, the magazine should be cleaned. **If cleaning does not restore proper spring tension, do not use the magazine.** (NOTE: After testing, remove the test cartridge.)

When cleaning is necessary, use a solvent that will not rust the metal components.

CARE AND CLEANING OF THE REGULATOR

It is necessary to clean the piston, regulator and gas block on a regular basis. This is the drive system of the **SR-556™**, and keeping this area clean will provide years of trouble free service. To clean the piston, regulator and gas block, remove regulator, regulator detent and piston as described on page 25. Use powder solvent and a brass brush to clean the piston bore in the gas block. Clean the top of the barrel below the vent in the bottom of the gas block with powder solvent and a tooth brush. Clean both the piston and the regulator with powder solvent and a tooth brush as well.

Reassemble the piston, regulator, and regulator detent as described on pages 26 and 27.



CARE AND CLEANING

**BEFORE CLEANING, BE CERTAIN THE RIFLE
AND ITS MAGAZINE CONTAIN NO CARTRIDGES.**

After each shooting session, at regular intervals, or whenever the rifle has been exposed to sand, dust, extreme humidity, condensation, immersion in water, or other adverse conditions, disassemble, clean and oil it. Proper periodic maintenance is essential to the reliable functioning of any firearm.

To clean the rifle, proceed as follows:

1. Disassemble (field-strip) the rifle to the extent described on pages 23 - 25.
The handguard and gas block should not be removed for cleaning or maintenance. Do not disassemble the rifle any further than as described on pages 23 - 25.
2. Clean bore with dry patches and examine. Bore fouling can contribute to reduced accuracy, and grease accumulation in the chamber can interfere with proper feeding of cartridges from the magazine. Using a cleaning rod, run a solvent-wetted patch through the bore several times. Then attach a solvent-wetted brush to the rod and run it back and forth the full length of the bore as many times as necessary to remove grease and dirt from the gas block piston bore.
3. Using powder solvent on a clean patch or bore brush, remove powder residue from all components of the mechanism. After cleaning, run a dry patch through the bore, then follow with a patch that is very lightly oiled. Wipe all surfaces clean with cloth, then wipe all surfaces with a patch or cloth that has been very lightly oiled.
4. NOTE: Only a light application of oil is needed to provide adequate lubrication of moving parts and to prevent rust. Excess accumulations of oil tend to attract particles of dust and dirt and many congeal in cold weather which can interfere with the safe and reliable function of the rifle.

 WARNING – LUBRICATION	
	Firing a rifle with oil, grease, or any other material even partially obstructing the bore may result in damage to the rifle and serious injury to the shooter and those nearby. Do not spray or apply lubricants directly on ammunition. If the powder of a cartridge is affected by the lubricant, it may not be ignited, but the primer firing may push the bullet into the bore where it may be lodged. Firing a subsequent bullet into the obstructed bore may damage the rifle and cause serious injury or death to the shooter and those nearby. Use lubricants properly. You are responsible for the proper care and maintenance of your firearms.
	IMPROPER LUBRICATION DESTROYS GUNS

STORAGE

GUNS SHOULD NOT BE STORED LOADED!

USE THE LOCKING DEVICE SUPPLIED WITH THE RIFLE FOR STORAGE.
(SEE PAGE 5)

Sturm, Ruger also offers gun safes for sale as a means to secure more than one firearm. Please call the Heritage Safe Company at 1-800-515-7233 for details and ordering information.

Do not store the rifle in a leather case or scabbard. Leather attracts moisture, even though it may appear to be dry.

 WARNING – STORAGE	
	<p>Never place or store any firearm in such a manner that it may be dislodged. Firearms should always be stored securely and unloaded, away from children and careless adults. Use the locking device originally supplied with this firearm for storage.</p> <p>The use of a locking device or safety lock is only one aspect of responsible firearms storage. For increased safety, firearms should be stored unloaded and locked in a location that is both separate from their ammunition and inaccessible to children and any other unauthorized person.</p>
STORE SECURELY & UNLOADED	

While the rifle is less likely to be used by unauthorized persons when disassembled in the above manner, it is always safest to store a firearm with the supplied locking device correctly installed, or to store the firearm in a gun safe or other secure location, away from children and unauthorized adults. Guns should always be stored securely, unloaded and separate from their ammunition.

SIGHT INSTALLATION

FRONT SIGHT INSTALLATION INSTRUCTIONS:

1. Remove magazine and ensure the chamber is empty.
2. Unscrew clamp assembly and place sight so as to allow the clamp screw to rest in the forward gas block cross slot. Sight should be orientated to fold to the rear. (See Figure 30.)



Figure 30



Figure 31

3. Apply one drop of thread locking compound on the exposed threads and replace clamp and tighten while pushing sight forward against cross slot. (See Figure 31.)

OPERATION

1. To raise the sight, grasp and pull up until sight locks in upright position.
2. To fold, depress the button located on the left side of the base and fold (see Fig. 30).

ZEROING PROCEDURES

1. Fire a group and measure from the point of aim to the point of impact.
2. Adjust the front sight for elevation only. Adjustments can be made with an AR-15 front sight tool, AK74/47 tool, or needle nose pliers.
3. Confirm zero with a group of aimed shots.

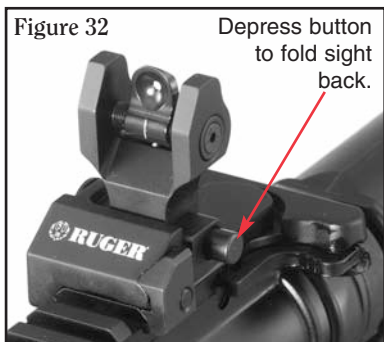
ADJUSTMENT

1. To move the bullet impact up – turn sight blade to the right/clockwise.
2. To move the bullet impact down – turn the sight blade to the left/counter clockwise.

1/8 Turn / 45 Deg	=	1" shift at 100m	1/4" shift at 25m
1/4 Turn / 90 Deg	=	2" shift at 100m	1/2" shift at 25m
1/2 Turn / 180 Deg	=	4" shift at 100m	1" shift at 25m
1 Turn / 360 Deg	=	8" shift at 100m	2" shift at 25m

REAR SIGHT INSTRUCTIONS:

1. Remove magazine and ensure the chamber is empty.
2. Unscrew clamp assembly and place sight so as to allow the clamp screw to rest in the rear most rail cross-slot of the flat top receiver. Sight should be orientated to fold to the rear (see Fig. 32).
3. Apply one drop of thread locking compound on exposed threads and replace clamp and tighten while pushing sight forward against cross slot (see Fig. 33).

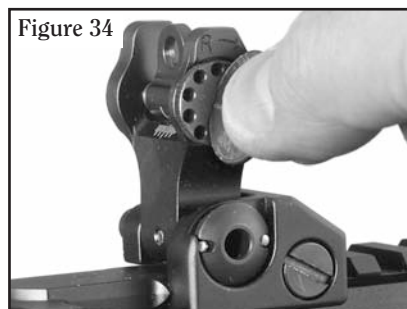


OPERATION

1. To raise the sight, grasp and pull up until sight locks in upright position.
2. To fold, depress the button located on the left side of the base and fold.

ZEROING PROCEDURES

1. Fire a group and measure from the point of aim to the point of impact.
2. Adjust the rear sight for windage only. Adjustments can be made with a coin or small diameter blunt tool (see Fig. 34).
3. Elevation adjustment is made off of the front sight post.
4. Sight apertures are on the same plane and either can be used without a change of impact.
5. Confirm zero with a group of aimed shots and adjust as necessary.



ADJUSTMENT

1. To move the bullet impact right – turn adjustment wheel to the right / clockwise.
2. To move the bullet impact left – turn adjustment wheel to the left / counter clockwise.

Value for one click of adjustment	100M	200M	300M
.33MOA	1/3"	2/3"	1"

SERVICE AND PARTS POLICY

If you have any question with regard to the performance of your **RUGER® SR-556™** rifle please write or call (603-865-2442) our Product Service Department in Newport, New Hampshire 03773, fully describing all circumstances and conditions involved. If you should return your rifle to the factory for repair, or order parts for it, please comply with the following suggestions for prompt service:



WARNING: BEFORE SHIPPING ANY FIREARM, BE ABSOLUTELY CERTAIN THAT IT AND ITS MAGAZINE ARE UNLOADED. DO NOT SHIP CARTRIDGES WITH A FIREARM.

SHIPPING FIREARMS FOR REPAIR

RUGER® SR-556™ rifles returned to the factory for repair should be sent to: Sturm, Ruger & Company, Inc., Product Service Department, 411 Sunapee St., Newport, New Hampshire 03773. Telephone (603) 865-2442. Guns should be sent prepaid. We will not accept collect shipments.

The Federal Gun Control Act, as well as the laws of most States and localities, do not prohibit an individual (who is not otherwise barred from purchasing or possessing a firearm) from shipping a firearm directly to the manufacturer for repair. However, before you ship your pistol to us, be certain that your State or locality does not have a law or regulation which will prohibit you from receiving the pistol from us after it has been repaired. If such receiving is prohibited, then please have a Federally Licensed Firearms Dealer ship the gun to us. If your pistol is sent to us by a dealer, it will be returned to that dealer after being repaired. If a handgun (pistol or revolver) is shipped by an individual who does not hold a Federal Firearms License, it must be shipped for overnight delivery via U.P.S., Federal Express or other, similar private overnight service. NOTE: Firearms may not be shipped via U.S. Mail. Persons who do not hold a Federal Firearms License are prohibited by Federal law from shipping a handgun by Mail. Handguns mailed in violation of the law are impounded by the Post Office.

DO NOT SEND GUN BOXES OR LITERATURE THAT YOU CONSIDER TO BE COLLECTOR'S ITEMS – THESE ARE INVARIABLY DAMAGED OR DESTROYED IN SHIPMENT. Please do not include rifle case, sling, telescopic sights or custom accessories with a firearm being shipped to the factory for service. Rifles and shotguns may be shipped via Parcel Post. Always insure your shipment.

Enclose a letter which includes your name, address, telephone number, serial number and model of the firearm. Describe in detail the trouble you have experienced with your firearm, or the work you wish to have done. Merely stating that the firearm “needs repair” is inadequate information.

All work performed is subject to a minimum labor charge and charges for shipping and handling. Most models can be reblued, but custom gunsmithing service or nonstandard alterations are NOT AVAILABLE from Ruger Product Service Departments. Please contact the Product Service Department for pricing information.



WARNING – PARTS PURCHASERS



It is the purchaser's responsibility to be absolutely certain that any parts ordered from the factory are correctly fitted and installed. Firearms are complicated mechanisms and **IMPROPER FITTING OF PARTS MAY RESULT IN A DANGEROUS MALFUNCTION, DAMAGE TO THE FIREARM, AND SERIOUS INJURY TO THE SHOOTER AND OTHER PERSONS.** The purchaser and installer of parts must accept full responsibility for the correct adjustment and functioning of the rifle after such installation.

PARTS MUST FIT CORRECTLY

ORDERING PARTS

Please contact the New Hampshire Product Service Department for parts availability and current prices. All parts orders for the **RUGER® SR-556™** rifle should be sent to: Sturm, Ruger & Co., Inc., Product Service Department, 411 Sunapee Street, Newport, New Hampshire 03773, 603-865-2442. We cannot comply with open account or C.O.D. requests. Payment in full via credit card (Visa or MasterCard only), money order or certified bank check (no personal checks, please) is required before any service will be performed. Please provide your name as it appears on the credit card along with the expiration date of the card. All parts orders are subject to a minimum charge and charges for shipping and handling. Order parts by Part Name and Part Number and include the entire serial number of the firearm for which the parts are being ordered. There is a minimum labor charge plus a shipping and handling charge if the parts are factory fitted. All factory fitted parts are fit on an exchange basis only. We will not return the replaced parts. Please contact the Product Service Department for pricing information.

Barrels, and a number of other component parts must be fitted at the factory. Company policy is to proof-test and/or function fire all barrels after fitting to the receivers in which they are to be used. This procedure ensures maximum protection to our customers. The special proof-test ammunition used in this testing is sold only to bonafide firearms manufacturers and is not available to gun shops, gunsmiths, or individuals.

Because the receiver of the **RUGER® SR-556™** is a serial numbered component, it is defined as a "firearm" by Federal law and is not sold as a separate component.

*Parts designated by an asterisk must be factory fitted. These parts are fitted on an exchange basis only. We will not return the replaced parts. We will not return any part that is broken, malfunctioning, badly worn or has been modified. See "Warning – Parts Purchasers," above.



CAUTION: A gun containing modified, broken, malfunctioning, or badly worn parts should not be fired.

RUGER® SR-556™

PARTS LIST

Design, prices and specifications subject to change without notice.

(See Exploded Views on Pages 39, 40, and 41)

Key No.	Part No.	Part Name	Model
* 1	NS00200	Receiver, Lower	SR-556
2	NS00066	Pivot Pin	SR-556
3	NS00065	Take Down Pin	SR-556
4	NS00064	Take Down Detent	SR-556
5	NS00063	Take Down Detent Spring	SR-556
6	NS00050	Bolt Catch	SR-556
7	NS00052	Bolt Catch Plunger	SR-556
8	NS00051	Bolt Catch Plunger Spring	SR-556
9	NS00053	Bolt Catch Roll Pin	SR-556
10	NS02100	Trigger/Hammer Pin	SR-556
11	NS01700	Hammer Assembly	SR-556
12	NS03716	Ejector Retainer Pin	SR-556
13	NS04700	Hammer Spring	SR-556
14	NS02000	Trigger	SR-556
15	NS13800	Selector Switch	SR-556
16	NS04800	Trigger Spring	SR-556
17	NS04200	Selector Detent	SR-556
18	NS04900	Selector Detent Spring	SR-556

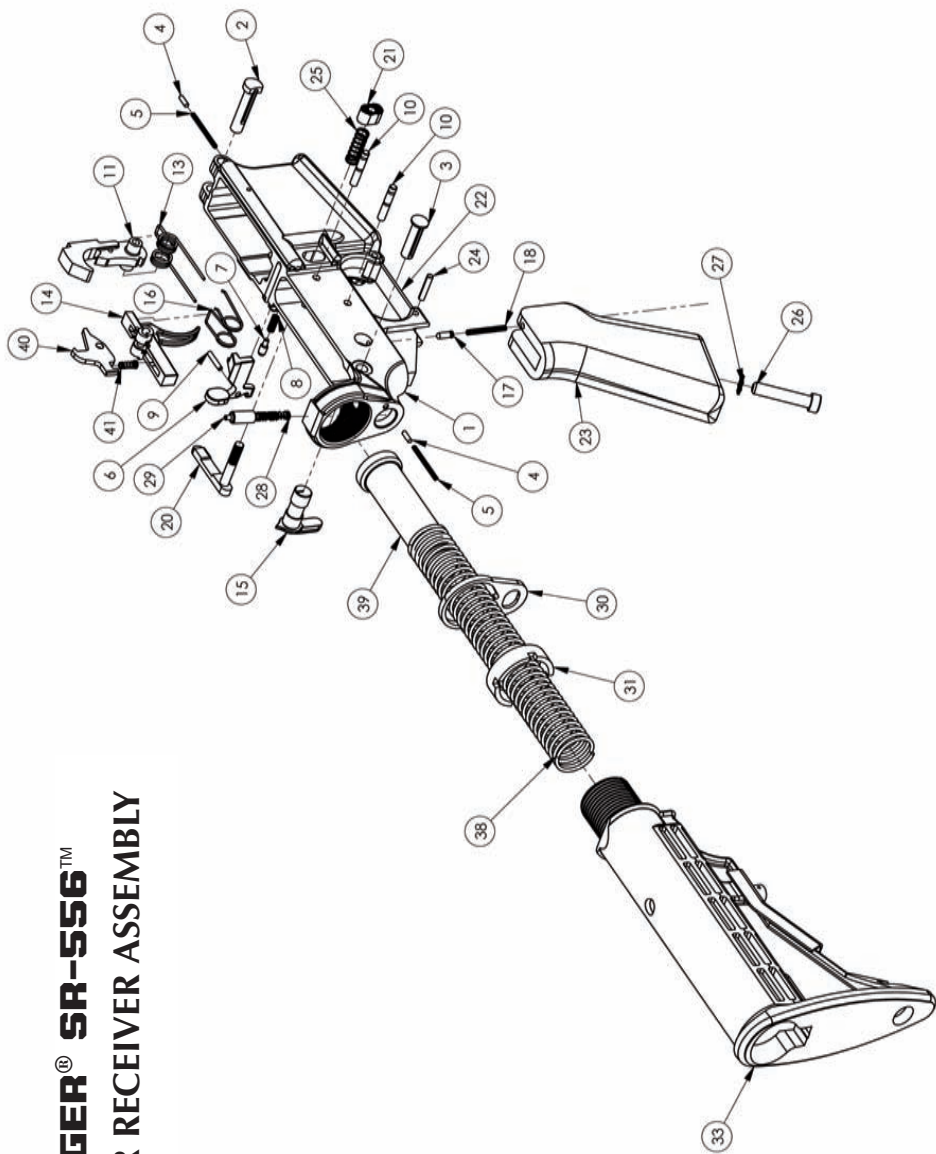
Key No.	Part No.	Part Name	Model
19	NS00031	Piston	SR-556
20	NS04000	Magazine Catch	SR-556
21	NS00062	Magazine Catch Button	SR-556
22	NS10040	Trigger Guard Assembly	SR-556
23	NS00071	Pistol Grip	SR-556
24	NS00041	Trigger Guard Roll Pin	SR-556
25	NS05000	Magazine Catch Spring	SR-556
26	NS00069	Pistol Grip Screw	SR-556
27	MA13500	Grip Screw Washer	SR-556
28	NS05101	Buffer Retainer Spring	SR-556
29	NS00085	Buffer Retainer Plunger	SR-556
30	NS00087	Receiver Endplate	SR-556
31	NS00088	Receiver Extension Nut	SR-556
32	NS00042	Retainer Pin	SR-556
33	NS10400	Stock Assembly – 6-Position Adjustable Assembly	SR-556
34	NS00045	Regulator Pin	SR-556
35	NS00079	Regulator Pin Spring	SR-556
36	NS03722	Extractor O Ring	SR-556
37	NS03708	Bolt Carrier	SR-556
38	NS00089	Buffer Spring	SR-556
39	NS00086	Buffer	SR-556
40	NS12001	Disconnecter	SR-556
41	NS12100	Disconnecter Spring – Semi-Auto	SR-556

Key No.	Part No.	Part Name	Model
42	NS03713	Bolt	SR-556
43	NS03717	Extractor	SR-556
44	NS03710	Cam Pin	SR-556
45	NS03709	Firing Pin	SR-556
46	NS03711	Bolt Carrier Cotter Pin	SR-556
47	NS03714	Ejector	SR-556
48	NS03718	Extractor Pin	SR-556
49	NS03715	Ejector Spring	SR-556
50	NS10012	Charging Handle Assembly	SR-556
51	NS00101	Receiver, Upper	SR-556
52	NS00006	Handguard Pin	SR-556
53	NSF16600	Handguard Quad Rail	SR-556
54	NS02500	Front Bushing	SR-556
55	NS03601	Transfer Rod Spring	SR-556
56	NS03600	Transfer Rod	SR-556
57	NS00040	Regulator	SR-556
58	NS00043	Regulator Detent	SR-556
*	NS03501	Gas Block	SR-556
60	NS13401	Flash Hider	SR-556
61	NS00082	Cruch Washer	SR-556
62	NS00081	Gas Block Solid Pins, 2 req'd	SR-556
*	NS10301	Barrel	SR-556
64	NSF11111	Barrel Nut Fixed Barrel	SR-556
*	NSF00012	Barrel Extension	SR-556

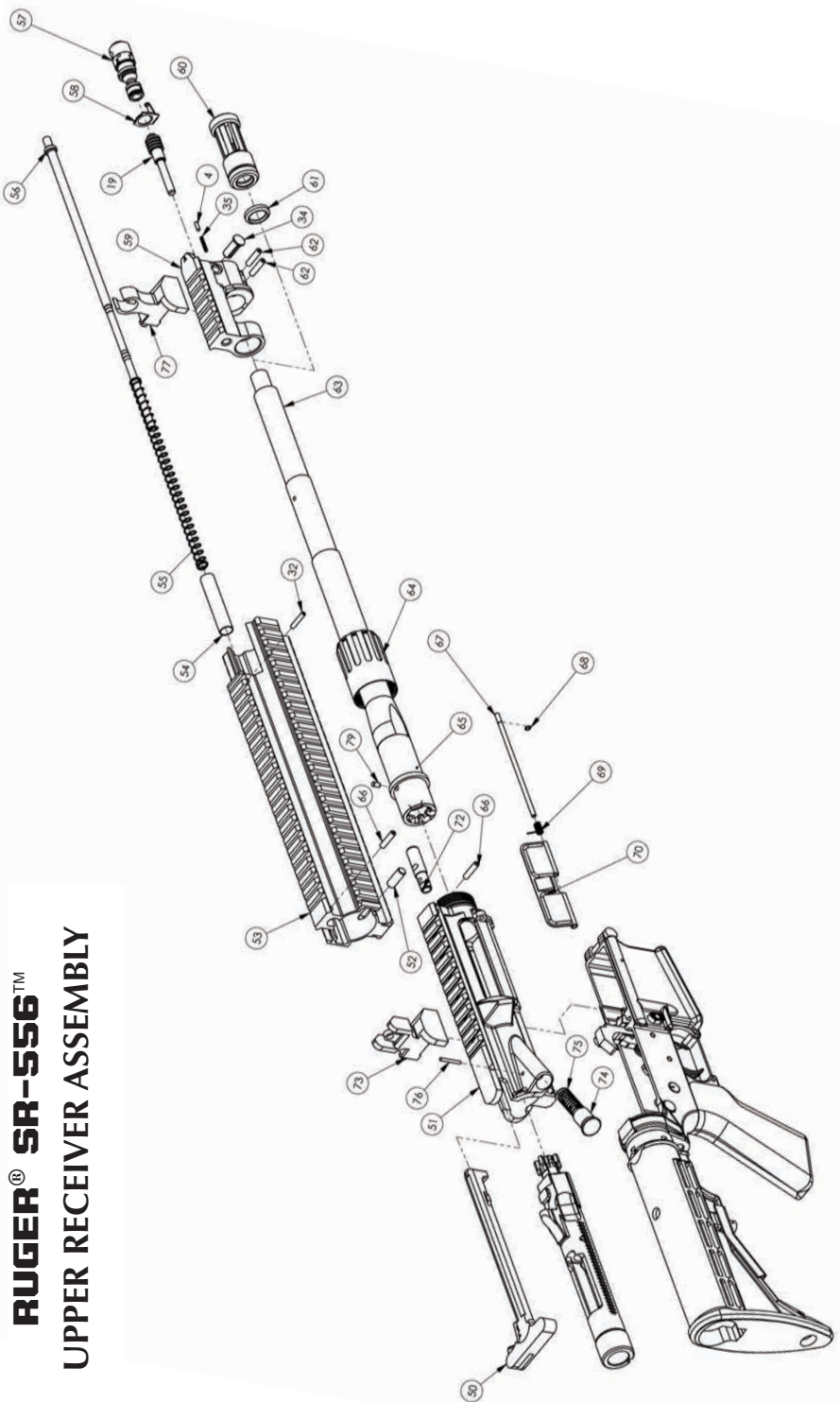
Key No.	Part No.	Part Name	Model
66	NS00036	Upper Receiver/Handguard Roll Pin	SR-556
67	NS00002	Ejection Port Cover Rod	SR-556
68	NS00004	Ejection Port Cover Retaining Clip	SR-556
69	NS00003	Ejection Port Cover Spring	SR-556
70	NS00001	Ejection Port Cover	SR-556
72	NS00033	Bushing Rear	SR-556
73	NS05206	Rear Sight – Flip Up Battle	SR-556
74	NS10020	Forward Assist Assembly	SR-556
75	NS00025	Forward Assist Spring	SR-556
76	NS00023	Forward Assist Retainer Pin	SR-556
77	NS04400	Front Flip-Up Battle Sight Assembly	SR-556
78	NS03720	Extractor Spring	SR-556
79	NS00013	Barrel Extension Pin	SR-556

* PARTS SO MARKED MUST BE FACTORY FITTED

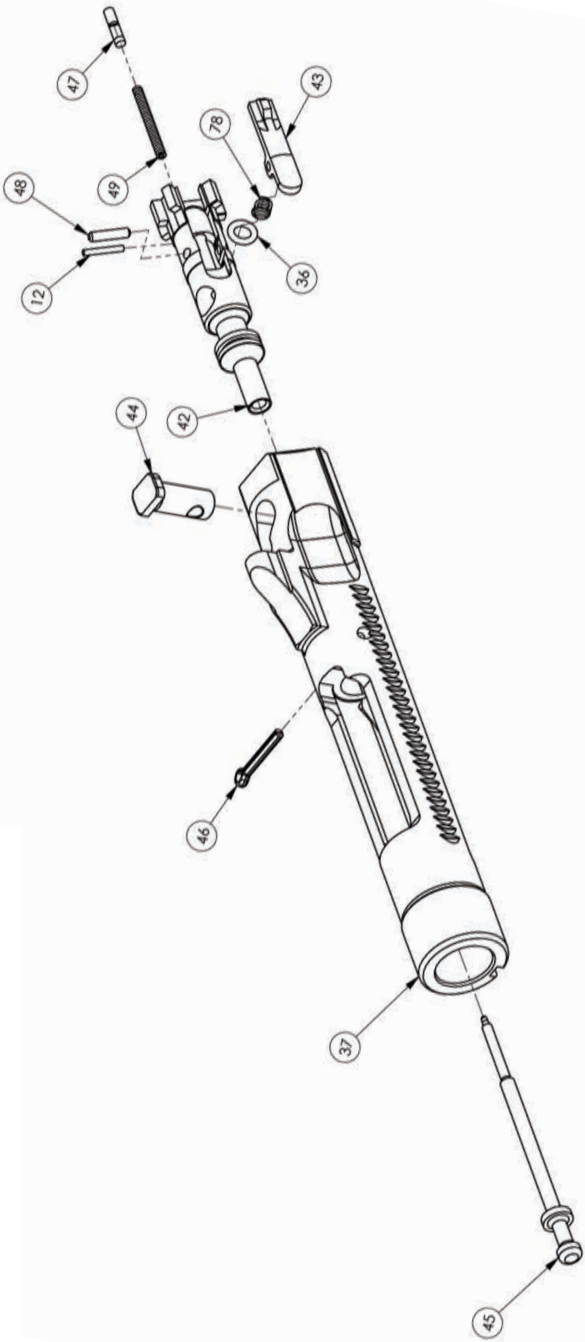
RUGER® SR-556™
LOWER RECEIVER ASSEMBLY



RUGER® SR-556™
UPPER RECEIVER ASSEMBLY



RUGER® SR-556™
BOLT CARRIER ASSEMBLY



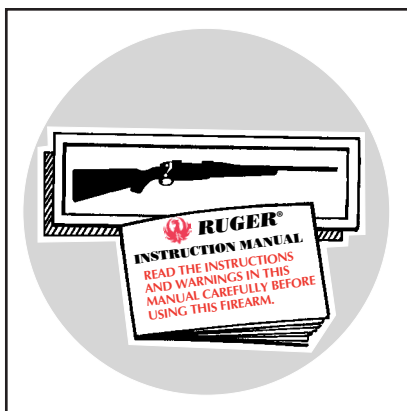
THE BASIC RULES OF SAFE FIREARMS HANDLING

We believe that Americans have a right to purchase and use firearms for lawful purposes. The private ownership of firearms in America is traditional, but that ownership imposes the responsibility on the gun owner to use his firearms in a way which will ensure his own safety and that of others. When firearms are used in a safe and responsible manner, they are a great source of pleasure and satisfaction, and represent a fundamental part of our personal liberty.

Firearms do not cause accidents! Firearms accidents are almost always found to have been the result of carelessness, or ignorance on the part of the shooter of the basic rules of safe gun handling.

The following rules must be observed by gun users at all times. Safe gun handling is not just desirable, it is absolutely essential to your safety, the safety of others, and the continuation of gun ownership and sport shooting as we know it today.

1. LEARN THE MECHANICAL AND HANDLING CHARACTERISTICS OF THE FIREARM YOU ARE USING.



Not all firearms are the same. The method of carrying and handling firearms varies in accordance with the mechanical provisions for avoiding accidental discharge and the various proper procedures for loading and unloading. No person should handle any firearm without first having thoroughly familiarized himself with the particular type of firearm he is using, and with safe gun handling in general.

2. ALWAYS KEEP THE MUZZLE POINTED IN A SAFE DIRECTION.



Be sure of the bullet stop behind your target, even when dry-firing. Never let the muzzle of a firearm point at any part of your body or at another person. This is particularly important when loading or unloading a firearm. In the event of an accidental discharge, no injury can occur as long as the muzzle is pointing in a safe direction. A safe direction means a direction which will not permit a discharged bullet to strike a person, or to strike an object from which the bullet may ricochet.

A safe direction must take into account the fact that a bullet may penetrate a wall, ceiling, floor, window, etc., and strike a person or damage property. Make it a habit to know exactly where the muzzle of your gun is pointing whenever you handle it, and be sure that you are always in control of the direction in which the muzzle is pointing, even if you fall or stumble. Keep your finger off the trigger until you are ready to shoot.

3. FIREARMS SHOULD BE UNLOADED WHEN NOT IN USE.



Firearms should be loaded only when you are in the field or on the target range or shooting area, ready to shoot. Firearms and ammunition should be securely locked in safes, racks or cabinets, or by using the locking device supplied with the firearm, when not in use. Ammunition should safely be stored separate from firearms. Store your firearms out of sight of visitors and children. It is the gun owner's responsibility to be certain that children and

persons unfamiliar with firearms cannot gain access to firearms, ammunition, or components.

4. BE SURE THE BARREL IS CLEAR OF OBSTRUCTIONS BEFORE SHOOTING.

Even a bit of mud, snow or excess lubricating oil or grease in the bore may cause the barrel to bulge, or even burst on firing, and can cause serious injury to the shooter and bystanders. Be sure that you are using ammunition of the proper caliber and loading for the gun you are using. If the report or recoil on firing seems weak, or doesn't seem quite right, **CEASE FIRING IMMEDIATELY**, unload your firearm, and check to be sure that no obstruction has become lodged in the barrel. Never try to shoot out an obstruction!





5. BE SURE OF YOUR TARGET BEFORE YOU SHOOT.

Don't shoot unless you know exactly where your bullet is going to strike. Be sure of the bullet stop behind your target, even when dry-firing with an unloaded gun. If you are in the field hunting, do not fire at a movement or noise. Take the time to be absolutely certain of your target before you pull the trigger.

6. WEAR SHOOTING GLASSES AND HEARING PROTECTORS WHEN YOU SHOOT.

All shooters should wear protective shooting glasses and adequate hearing protectors when shooting. Exposure to shooting noise can damage hearing, and adequate eye protection when shooting is essential.

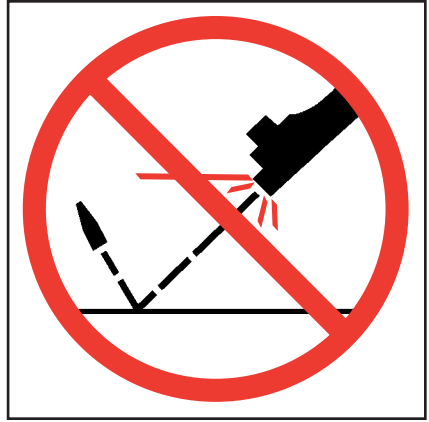


7. NEVER CLIMB A TREE OR FENCE WITH A LOADED FIREARM.

Put the firearm down carefully before climbing a fence, and unload it before climbing or descending a tree or jumping over a ditch or other obstruction. Never pull or push a loaded firearm toward yourself or another person. When in doubt, or whenever you are about to do anything awkward, unload your gun!

8. DON'T SHOOT AT A HARD SURFACE, OR AT WATER.

Bullets can glance off many surfaces like rocks or the surface of water and travel in unpredictable directions with considerable velocity.



9. NEVER TRANSPORT A LOADED FIREARM.

Firearms should always be unloaded before being placed in a vehicle. A suitable carrying case or scabbard should be used to carry an unloaded firearm to and from the shooting area.

10. AVOID ALCOHOLIC BEVERAGES WHEN SHOOTING.

Don't drink until the day's shooting is over. Handling firearms while under the influence of alcohol in any form, or medications that could affect your judgement or coordination, constitutes a criminal disregard for the safety of others.



A BRIEF ACCOUNT OF AN EXTRAORDINARY ACHIEVEMENT: RUGER FIREARMS

Sturm, Ruger & Company, Inc., had its beginning in a small machine shop occupying a rented frame building in Southport, Connecticut. In January, 1949, with an initial investment of only \$50,000 and an idea, William B. Ruger and Alexander M. Sturm started production of a .22 caliber autoloading pistol—a design which was so successful that it became the cornerstone upon which one of the most comprehensive lines of sporting firearms ever made in America was established. After Alex Sturm's death in 1951, William B. Ruger continued to direct the Company until his death in 2002. William B. Ruger, Jr. continued to provide guidance, which helped make this Company a sound and successful enterprise, until his retirement in 2006. The Company has continued to prosper, under new management and guidance from our Board, with new products and fresh perspectives.

Ruger, in this relatively short time, has established itself as a leading small arms design organization, developing a unique and broad line of fine quality sporting, military and police firearms to become one of the world's most famous producers of revolvers, pistols, rifles and shotguns. Since 1949 Ruger craftsmen have built many millions of firearms.

During its five decades of growth and progress under the leadership of William B. Ruger, the Company developed a business philosophy and implemented policies which represent a constructive influence in the life of modern America. From the beginning, Ruger played a positive role in conservation efforts and has supported the interests of shooters through such groups as the National Rifle Association, National Shooting Sports Foundation, and many regional sportsmen's organizations.

The Company has always endeavored to market its firearms for constructive and recreational purposes, to emphasize the traditional and responsible aspects of shooting, to render meaningful public services, and to encourage shooters in constructive, responsible, and safe participation in the shooting sports. Its motto, "Arms Makers For Responsible Citizens," exemplifies this Company philosophy.

Today, Ruger is particularly mindful of those elements which have contributed to the creation of its success, and extends heartfelt thanks to its many loyal employees and customers.

A current catalog of Ruger firearms is available free upon request to
Ruger, Southport, CT 06890

The firearms catalog, and instruction manuals for all Ruger firearms,
can also be downloaded from our website at:

www.ruger.com

NOTES

WHY NO WARRANTY CARD HAS BEEN PACKED WITH THIS NEW RUGER FIREARM

The Magnuson-Moss Act (Public Law 93-637) does not require any seller or manufacturer of a consumer product to give a written warranty. It does provide that if a written warranty is given, it must be designated as "limited" or as "full" and sets minimum standards for a "full" warranty. Sturm, Ruger & Company, Inc. has elected not to provide any written warranty, either "limited" or "full", rather than to attempt to comply with the provisions of the Magnuson-Moss Act and the regulations issued thereunder. There are certain implied warranties under state law with respect to sales of consumer goods. As the extent and interpretation of these implied warranties varies from state to state, you should refer to your state statutes. Sturm, Ruger & Company wishes to assure its customers of its continued interest in providing service to owners of Ruger firearms.



STURM, RUGER & Company, Inc.
411 Sunapee Street
Newport, New Hampshire 03773 U.S.A.
www.ruger.com

Arms Makers For Responsible Citizens®

**A COPY OF THE INSTRUCTION MANUAL FOR ANY RUGER
FIREARM IS AVAILABLE FROM THE FACTORY FREE ON REQUEST, OR IT MAY
BE DOWNLOADED FROM OUR WEBSITE AT WWW.RUGER.COM.
THESE INSTRUCTION MANUALS CONTAIN IMPORTANT
WARNINGS WHICH MUST BE UNDERSTOOD
BEFORE USING THESE FIREARMS.**

"22/45," "22 Charger," "LCP," "LCR," "Model 96," "P90," "P91," "P93," "P94," "P95," "P97," "P345D," "Mark III," and "P345PR" are RUGER TRADEMARKS. "RUGER," THE STURM, RUGER LOGO, "AC-556," "Arms Makers For Responsible Citizens," "10/22," "All-Weather," "Bearcat," "Blackhawk," "Gold Label," "GP100," "Hawkeye," "M77," "Mini Thirty," "Mini-14," "Old Army," "P345," "P85," "Redhawk," "Ruger Titanium," "Ruger 77/17," "Ruger 77/22," "Ruger 77/44," "Ruger 77/50," "Ruger SP101," "Ruger Vaquero," "Security-Six," "Service-Six," "Single-Six," "Speed-Six," "SR9," the "SR" Design, "Super Redhawk Alaskan" and "Target Grey" are REGISTERED U.S. TRADEMARKS.

"DEERFIELD" is a registered trademark of Blount, Inc.

"The Frontier" is a registered trademark of new Colt Holding Corp.