

INSTRUCTION MANUAL FOR

BLUED &
STAINLESS
STEEL



CALIBERS
9mm, 30 Luger,
40 S&W & 45 Auto

RUGER® P-SERIES P89, P90™ P94™ & P944

MANUAL SAFETY MODEL PISTOLS*



*DO NOT USE THIS MANUAL FOR DECOCKER MODEL PISTOLS
OR "DOUBLE ACTION ONLY" PISTOLS



**READ THE INSTRUCTIONS AND
WARNINGS IN THIS MANUAL CAREFULLY
BEFORE USING THIS FIREARM**

**For Product Service on This Model Please Call:
(928) 778-6555 (See p. 27)**

**STURM, RUGER & Company, Inc.
Southport, Connecticut 06890 U.S.A.**

THIS INSTRUCTION MANUAL SHOULD ALWAYS ACCOMPANY THIS FIREARM AND BE
TRANSFERRED WITH IT UPON CHANGE OF OWNERSHIP, OR WHEN THE FIREARM IS LOANED
OR PRESENTED TO ANOTHER PERSON

State-By-State Warnings

Certain states require by law that their own specified warning notices in larger-than-normal type be conspicuously included by the manufacturer, distributor, or retail dealer with firearms sold in that state. Sturm, Ruger sells its products in compliance with applicable laws and regulations. Because our products may be sold in these states, we include the following:

California:

⚠ WARNING

“Children are attracted to and can operate firearms that can cause severe injuries or death. Prevent child access by always keeping guns locked away and unloaded when not in use. If you keep a loaded firearm where a child obtains and improperly uses it, you may be fined or sent to prison.”

⚠ ADVERTENCIA

“A los niños los atraen las armas de fuego y las pueden hacer funcionar. Ellos pueden causarse lesiones graves y la muerte. Evite que los niños tengan acceso a las armas de fuego guardándolas siempre con llave y descargadas cuando no las esté utilizando. Si usted tiene un arma de fuego cargada en un lugar en que un niño tiene acceso a ella y la usa indebidamente, le pueden dar una multa o enviarlo a la cárcel.”

Connecticut:

“UNLAWFUL STORAGE OF A LOADED FIREARM MAY RESULT IN IMPRISONMENT OR FINE.”

Florida:

“IT IS UNLAWFUL, AND PUNISHABLE BY IMPRISONMENT AND FINE, FOR ANY ADULT TO STORE OR LEAVE A FIREARM IN ANY PLACE WITHIN THE REACH OR EASY ACCESS OF A MINOR UNDER 18 YEARS OF AGE OR TO KNOWINGLY SELL OR OTHERWISE TRANSFER OWNERSHIP OR POSSESSION OF A FIREARM TO A MINOR OR A PERSON OF UNSOUND MIND.”

Maine:

“ENDANGERING THE WELFARE OF A CHILD IS A CRIME. IF YOU LEAVE A FIREARM AND AMMUNITION WITHIN EASY ACCESS OF A CHILD, YOU MAY BE SUBJECT TO FINE, IMPRISONMENT OR BOTH. KEEP FIREARMS AND AMMUNITION SEPARATE. KEEP FIREARMS AND AMMUNITION LOCKED UP. USE TRIGGER LOCKS.”

Maryland:

“WARNING: Children can operate firearms which may cause death or serious injury. It is a crime to store or leave a loaded firearm in any location where an individual knew or should have known that an unsupervised minor would gain access to the firearm. Store your firearm responsibly!”

Massachusetts:

“WARNING FROM THE MASSACHUSETTS ATTORNEY GENERAL: This handgun is not equipped with a device that fully blocks use by unauthorized users. More than 200,000 firearms like this one are stolen from their owners every year in the United States. In addition, there are more than a thousand suicides each year by younger children and teenagers who get access to firearms. Hundreds more die from accidental discharge. It is likely that many more children sustain serious wounds, or inflict such wounds accidentally on others. In order to limit the chance of such misuse, it is imperative that you keep this weapon locked in a secure place and take other steps necessary to limit the possibility of theft or accident. Failure to take reasonable preventive steps may result in innocent lives being lost, and in some circumstances may result in your liability for these deaths.”

“IT IS UNLAWFUL TO STORE OR KEEP A FIREARM, RIFLE, SHOTGUN OR MACHINE GUN IN ANY PLACE UNLESS THAT WEAPON IS EQUIPPED WITH A TAMPER-RESISTANT SAFETY DEVICE OR IS STORED OR KEPT IN A SECURELY LOCKED CONTAINER.”

New Jersey:

“IT IS A CRIMINAL OFFENSE TO LEAVE A LOADED FIREARM WITHIN EASY ACCESS OF A MINOR.”

New York City:

“THE USE OF A LOCKING DEVICE OR SAFETY LOCK IS ONLY ONE ASPECT OF RESPONSIBLE FIREARMS STORAGE. FOR INCREASED SAFETY, FIREARMS SHOULD BE STORED UNLOADED AND LOCKED IN A LOCATION THAT IS BOTH SEPARATE FROM THEIR AMMUNITION AND INACCESSIBLE TO CHILDREN AND OTHER UNAUTHORIZED PERSONS.”

North Carolina:

“IT IS UNLAWFUL TO STORE OR LEAVE A FIREARM THAT CAN BE DISCHARGED IN A MANNER THAT A REASONABLE PERSON SHOULD KNOW IS ACCESSIBLE TO A MINOR.”

Texas:

“IT IS UNLAWFUL TO STORE, TRANSPORT, OR ABANDON AN UNSECURED FIREARM IN A PLACE WHERE CHILDREN ARE LIKELY TO BE AND CAN OBTAIN ACCESS TO THE FIREARM.”

Wisconsin:

“IF YOU LEAVE A LOADED FIREARM WITHIN THE REACH OR EASY ACCESS OF A CHILD YOU MAY BE FINED OR IMPRISONED OR BOTH IF THE CHILD IMPROPERLY DISCHARGES, POSSESSES, OR EXHIBITS THE FIREARM.”

* * * * *

Please check with your licensed retailer or state police for additional warnings which may be required by local law or regulation. Such regulations change constantly, and local authorities are in the best position to advise you on such legal matters.

WHY ARE WE INCLUDING A FIRED CARTRIDGE CASE WITH EVERY RUGER PISTOL AND REVOLVER?

Certain states and jurisdictions now require that all newly manufactured pistols and revolvers must be accompanied by a cartridge case, which has been test fired from that gun at the factory. The case must be placed in a sealed container bearing certain information concerning this test cartridge.

At the time of retail sale in those jurisdictions, firearms dealers must forward such test cartridge to a designated destination such as their State Police Laboratory. As independent Ruger Distributors have nationwide markets without territorial restrictions, we have decided to include a fired cartridge case with all new Ruger pistols and revolvers, to minimize the possibility of inadvertent non-compliance with these laws.

Retail customers located in other states, where laws or regulations do not require the dealer to so act, may be assured that the fired cartridge case they receive with the firearm at the time of retail purchase is proof that your new Ruger firearm has undergone our normal test firing procedures during manufacture.

LOCKING DEVICE INSTALLATION INSTRUCTIONS



WARNING – USE OF LOCKING DEVICES



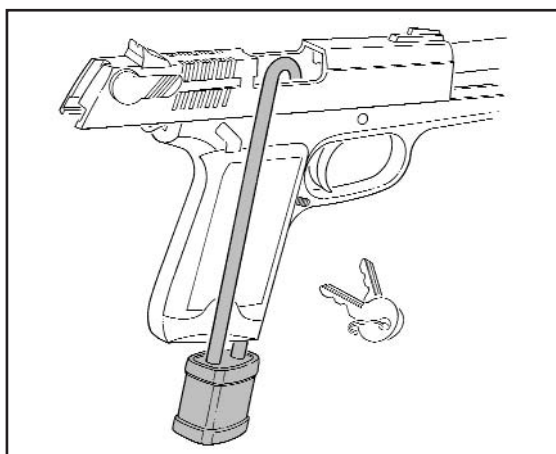
- Always keep your firearm pointed in a safe direction, including when you are installing or removing your locking device.
- Always verify that your firearm is completely **unloaded** before installing your locking device.
- Do **not** install locking devices in the trigger guard; always keep your fingers and locking device outside the trigger guard during device installation and removal.
- Store firearms, ammunition and keys separately and securely, away from children and careless adults; do **not** store your firearm with the keys in the locking device.
- Do not attempt to work the action of your firearm with the locking device in place; this may damage your firearm.
- While locking devices are an important aid to security measures, they are not a substitute for safe firearm handling and proper storage. Remember that any mechanical device can be bypassed with enough time, knowledge, determination and equipment.

**LOCKING DEVICES MUST BE USED
SAFELY AND RESPONSIBLY**

Use the Correct Lock: While the basic locking device is substantially similar for all Ruger® firearms, due to the different shapes of the many Ruger® firearms, some firearms utilize different locking devices. The 5" x 40mm lock is for use with **P-SERIES** Pistols. **It is very important to use the correct locking device!**

To Install the Factory-Supplied Locking Device:

1. **Keep the muzzle pointed in a safe direction and your fingers outside the trigger guard at all times!**
2. **Be sure the firearm is completely unloaded and contains no cartridges or cartridge cases!**
3. Open the action completely. Use the slide stop to keep the action open during installation of the locking device.
4. Remove the magazine from your pistol and apply the locking device by placing the shackle of the lock into your pistol as shown below.
5. Close the lock by pressing the shackle into the body of the lock (the part that receives the key) as tightly together as possible. The lock has bumpers and the shackle is coated with a non-marring material that will not harm the metal finish of your firearm; be careful not to dent the frame or grip panels of the pistol.
6. Once the lock is securely closed, remove the key and pull firmly on the lock to test the connection and be sure it is locked. **Do not leave or store your firearm with the key in the lock!** Store your locked unloaded firearm and the key in secure, separate locations, away from ammunition, children, or unauthorized adults.



*Correct Installation of Lock
For Ruger®P-Series Pistols Only*

FIREARMS SAFETY-YOUR RESPONSIBILITY
SAFETY MUST BE THE FIRST AND CONSTANT
CONSIDERATION OF EVERY PERSON WHO HANDLES
FIREARMS AND AMMUNITION.

This Instruction Manual is designed to assist you in learning how to use and care for your **RUGER® P89, P90™, P94™ and P944** Manual Safety Model Pistols properly. Please contact us if you have any questions.

Only when you are certain you fully understand the Manual and can properly carry out its instructions should you practice loading, unloading, etc. with live ammunition. If you have any doubts about your ability to handle or use a particular type of gun safely, you should seek supervised instruction. Such personalized instruction is often available from gun dealers, gun clubs or police departments. If none of these sources can help you, write to the National Rifle Association, 11250 Waples Mill, Fairfax, VA 22030-7400. They will assist you.

The person possessing a gun has a full-time job. You cannot guess; you cannot forget. You must know how to use your firearm safely. **Do not use any firearm without having a complete understanding of its particular characteristics and safe use.** Remember: There is no such thing as a foolproof gun.

TABLE OF CONTENTS

State-By-State Warnings	2
Locking Device Installation Instructions	5
General Information and Mechanical Characteristics	8
Operation of Manual Safety	10
Ammunition	12
To Load and Fire (with magazine)	13
To Uncock (Decock) The Pistol	16
To Load and Fire (without magazine)	17
To Unload	17
To Reload The Pistol	19
To Extract and Eject a Chambered Cartridge	19
To Clear a Malfunction ("Jam")	20
To Minimize Malfunctions ("Jams")	21
To Disassemble	21
To Reassemble	23
Magazine Inspection and Care	23
Care and Cleaning	24
Storage	25
Sight Adjustment	27
Service and Parts Policy	27
Shipping Firearms for Repair	27
Ordering Parts	28
Parts List	29 - 34
Parts Drawings	35 - 38
The Basic Rules of Safe Firearms Handling	39 - 42
Warranty Information	44

"Ruger" is a registered U.S. trademark.



WARNINGS OF GREAT IMPORTANCE ARE FOUND ON THE FOLLOWING PAGES:

Locking Devices	5	Slide Retraction	18
Alterations	8	Malfunctions	20
Manual Safety	11	Disassembly	23
Lead Exposure	12	Lubrication	25
Ammunition	13	Storage	26
Firing	15	Shipping	27
Handling	16	Parts Purchasers	28
Unloading	17		

OTHER CAUTIONS AND WARNINGS APPEAR THROUGHOUT THE MANUAL.

**FIREARMS ARE DANGEROUS WEAPONS -
READ THE INSTRUCTIONS AND WARNINGS
IN THIS MANUAL THOROUGHLY AND
CAREFULLY BEFORE USING.**



WARNING - ALTERATIONS



This product was designed to function properly in its original condition. Alterations can make it unsafe. Do not alter any part or add or substitute parts or accessories not made by Sturm, Ruger & Co. Inc.

DO NOT ALTER ANY GUN

GENERAL INFORMATION AND MECHANICAL CHARACTERISTICS

The **RUGER® P89, P90™, P94™ & P944** pistols are centerfire, double action, magazine-fed, autoloading, recoil-operated pistols. The **P89** is chambered for the caliber 9mm Parabellum (9mm x19) cartridge, and the **P90™** is chambered for the 45 Auto cartridge. The **P94™** has a full length “streamlined” slide configuration and is chambered for the 9mm Parabellum (9mm x 19) cartridge. The **P944** is chambered for the 40 S&W cartridge. The cartridge for which the pistol is chambered is clearly marked on the barrel. They comply with the requirements of the National Institute of Justice Standard - 0112.00. They include the following features with which users should be thoroughly familiar:

NOMENCLATURE

Sights have high-visibility white dots both front and rear. Rear sights can be adjusted for windage.

Slide's open top design minimizes possibility of jamming, enables shooter to clear any malfunction easily by hand. Cartridges can be loaded singly if desired.

Grooved, exposed **hammer spur** enables the shooter to cock the hammer easily for accurate single-action firing if desired.



When ambidextrous **manual safety** is in "safe" position, the firing pin is cammed forward into the slide. This simultaneously places the firing pin out of reach of the hammer and locks the firing pin in a neutral position, preventing the firing pin from movement toward the cartridge. Further, the entire firing mechanism is completely disengaged from trigger.

Frame is precision investment cast in lightweight aluminum alloy, hard-coated for toughness.

Double-action mechanism and strongly curved **trigger** provide that cocking and firing can be accomplished with a single pull of the trigger.

Oversize **trigger guard** permits shooting with gloved hand. Recurved trigger guard bow accommodates non-shooting hand in two-hand hold.

The **magazine latch** permits positive retention and quick removal of magazine.

Slide stop holds the slide open and is activated automatically when last shot is fired (if magazine is in pistol), or can be manually operated.

Lanyard loop provides security for carrying in the field or police use.

Action: The action of the Ruger manual safety model pistols is of the U.S. M1911 type that utilizes a tilting barrel design in which the barrel and slide are locked together at the moment of firing. After firing, the barrel and slide recoil to the rear a short distance while still locked together. After this initial movement, the barrel tilts downward from its locked position, permitting full recoil of the slide and the extraction and ejection of the spent cartridge case.

The user of this or any autoloading pistol must always remember that when fired, it automatically reloads and recocks itself, so that simply pulling the trigger will fire the pistol again. Therefore, an autoloading pistol user must be particularly conscious to always keep the pistol pointed in a safe direction.

Slide Stop: When the last shot has been fired and the magazine is empty, the slide stop automatically holds the slide open. When there is an empty magazine in the pistol and the slide is retracted manually, the slide stop will automatically hold the slide open. If a loaded magazine is inserted in the pistol when the slide is closed and the slide is then retracted fully, the slide stop will not automatically hold open the slide. The user can actuate the slide stop mechanism to hold the slide open at any time by retracting the slide and pushing up the slide stop.

The slide stop can be released by drawing back slightly on the slide and depressing the slide stop thumbpiece. When the slide is released, it will move forward under pressure from the recoil spring.

The slide stop is spring-loaded to move downward. Therefore, when there is a loaded magazine in place and the pistol is jarred, the slide can fly forward and chamber a cartridge. For this reason and as an essential safety practice, **the user should always be careful to keep fingers away from the trigger, keep the safety on, and always keep the pistol pointed in a safe direction.**

Magazines: The Ruger 9mm, 40 S&W, and 45 Auto magazines are not interchangeable with Ruger pistol magazines of any other caliber even though they may appear similar and may hold other cartridges. Use of incorrect magazines in any pistol will result in malfunctions. Ruger 9mm magazines are either unmarked as to caliber or are marked “9mm”. All other Ruger centerfire pistol magazines, which are similar in appearance, are marked as to caliber.

**DAMAGED, NON-STANDARD, OR IMPROPERLY
ASSEMBLED MAGAZINES SHOULD NOT BE USED.
THEY CAN CAUSE THE PISTOL TO MALFUNCTION.**

OPERATION OF MANUAL SAFETY

The model you have selected is equipped with special manual ambidextrous safety levers that also allow you to decock (uncock) a cocked pistol without manipulating the trigger. Conventional thumb decocking procedures are therefore not necessary and should not be employed with this pistol.

To apply the manual safety and decock the pistol, **point the pistol in a safe direction**. Move either the right- or left-hand safety lever fully to the “safe” position. When the safety is moved fully downward to the “safe” position, the white dot is exposed through the hole in the side of the safety and the letter “S” is completely visible. See Figure 1, p. 11. In this position (1) the firing pin is blocked from moving forward, (2) the hammer is blocked from contacting the firing pin, and (3) the entire firing mechanism is completely disengaged from the trigger. At this point, the hammer will fall to its forward (decocked) position.

The safety mechanism provides that the hammer cannot contact the firing pin unless the safety is disengaged. With the hammer cocked, actuating the safety mechanism automatically drops the hammer onto the slide without contacting the firing pin. Thus, the safety also serves as a decocking lever.

Additionally, the pistol has a separate internal firing pin block which will not allow the firing pin to move forward and contact the cartridge until the operator pulls the trigger with the safety off (in its “fire” position).

The pistol can and should be loaded and unloaded with the safety engaged in its “safe” position (lever fully down, white dot and the letter “S” exposed). **The safety should be in its “safe” position at all times except when the user is deliberately positioned to fire at a selected target.** See Figures 1 and 2, below, which illustrate the two positions of the safety.

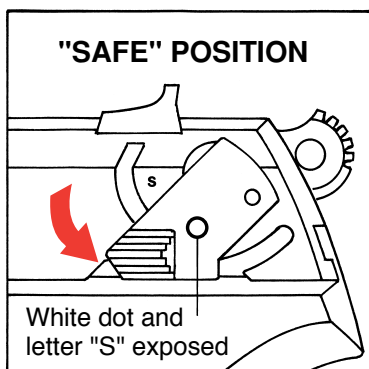


FIGURE 1

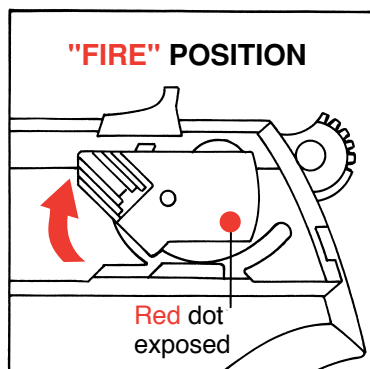

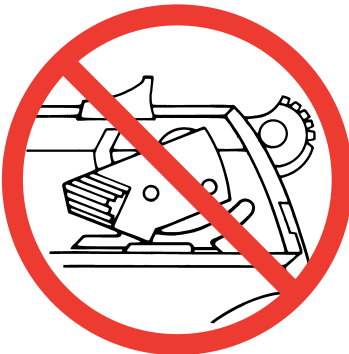


FIGURE 2

 WARNING - MANUAL SAFETY	
	<p>Placing the safety in an intermediate position between “safe” and “fire” can result in the user thinking the pistol is in a safe or fire position when it is not. Pulling the trigger with the safety in an intermediate position may cause the pistol to fire. Therefore, always move the safety <u>fully</u> to its intended position and then <u>check</u> to be sure it is where you want it to be. Unless the white dot and the letter “S” are <u>both</u> fully visible, the safety is <u>not</u> on. Unless the red dot is fully visible, the pistol is <u>not</u> absolutely ready to fire.</p>
NEVER PUT SAFETY 1/2 ON	



WARNING - LEAD EXPOSURE



Discharging firearms in poorly ventilated areas, cleaning firearms, or handling ammunition may result in exposure to lead and other substances known to the state of California to cause birth defects, reproductive harm, and other serious physical injury. Have adequate ventilation at all times. Wash hands thoroughly after exposure.

**SHOOTING OR CLEANING GUNS
MAY EXPOSE YOU TO LEAD**

AMMUNITION

The **RUGER® P89 & P94™** pistols are chambered for the 9mm x 19 Parabellum (9mm Luger) cartridge. Do not attempt to load any other 9mm cartridges (examples: 9mm short [380], 9mm Steyr, 9mm Bergmann, etc.) into the magazine or chamber of the pistol. Never attempt to use caliber 40 S&W cartridges in a 9mm pistol. The 40 S&W cartridges will jam the pistol.

The **RUGER® P90™** pistol is chambered for the 45 Auto cartridge. Do not attempt to load any cartridges other than 45 Auto into the magazine or chamber of the pistol.

The **RUGER® P944** pistols chambered for the 40 S&W cartridge should never be used with 9mm ammunition.


The KP89X pistol is a stainless-steel Convertible Model chambered for both 9mm and 30 Luger barrels. Do not attempt to load 9mm cartridges in the pistol when the 30 Luger barrel is installed and do not attempt to load 30 Luger cartridges in the pistol when the 9mm barrel is in place. The pistol will not function correctly. See "Warning - Ammunition," p. 13.

The Ruger P-Series pistols are compatible with all factory ammunition loaded to U.S. Industry Standards, including high-velocity and hollow-point loads, loaded in brass, aluminum, or steel cartridge cases. No 9mm x 19, 45 Auto or 40 S&W ammunition manufactured in accordance with NATO, U.S., SAAMI, or CIP standards is known to be beyond the design limits or known not to function in these pistols.

AMMUNITION (CARTRIDGES) NOTICE

WE SPECIFICALLY DISCLAIM RESPONSIBILITY FOR ANY DAMAGE OR INJURY WHATSOEVER OCCURRING IN CONNECTION WITH, OR AS A RESULT OF, THE USE IN RUGER FIREARMS OF FAULTY, OR NON-STANDARD, OR "RE-MANUFACTURED", OR HAND-LOADED (RELOADED) AMMUNITION, OR OF CARTRIDGES OTHER THAN THOSE FOR WHICH THE FIREARM WAS ORIGINALLY CHAMBERED.

USE ONLY FACTORY AMMUNITION LOADED TO U.S. INDUSTRY STANDARDS

⚠ WARNING - AMMUNITION	
	Death, serious injury, and damage can result from the use of the wrong ammunition, bore obstructions, powder overloads, or incorrect cartridge components. Even the strongest gun can be “blown up” as a result of excess pressure. <u>Always</u> wear shooting glasses and hearing protection.
IMPROPER AMMUNITION DESTROYS GUNS	

TO LOAD AND FIRE (WITH MAGAZINE)

Practice this important aspect of safe gun handling with an unloaded pistol until you can perform each of the steps described below with skill and confidence. **But before you do anything with the pistol, first read completely through this manual.**

1. **Be certain the muzzle is pointed in a safe direction.** (See “The Basic Rules of Safe Firearms Handling,” page 39.)
2. **Move either the right- or left-hand safety lever fully downward to its “safe” position so that the letter “S” and the white dot are fully exposed.** (See Figures 1 and 2 on page 11.)
3. Press either magazine latch forward and remove the magazine from the frame. **NOTE:** The magazine is designed to fall free of the frame of its own weight when unloaded and the pistol is held in the normal firing position, but you should always prevent possible damage to the magazine by not letting it drop to the ground unless rapid reloading is absolutely necessary.

For the 9mm P89 and P94 pistols, place ten (10) or fewer 9mm x 19 Parabellum cartridges into the magazine from the top.

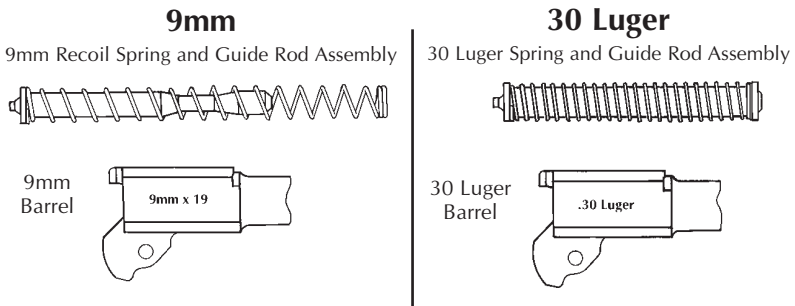
For the P90 pistol, place eight (8) or fewer 45 Auto cartridges into the magazine from the top.

For the 40 S&W P944 pistols, place ten (10) or fewer 40 S&W cartridges into the magazine from the top.

For the KP89X Convertible Model, the 9mm and 30 Luger barrels use the same magazine. The magazines provided with the pistol (which are marked 9mm) are suitable for use with both 9mm and 30 Luger cartridges.

When firing 9mm cartridges, the barrel marked with the caliber “9mm x 19” must be used. The correct recoil spring and guide rod combination for 9mm use is the spring that extends a little over an inch beyond the guide rod when this assembly has been removed from the firearm and the guide rod that has a tapered section about 1/3 from its front end. See illustration below left.

When firing 30 Luger cartridges, the barrel marked with caliber “.30 Luger” must be used. The correct recoil spring and guide rod combination for 30 Luger use is the captive spring which is attached to the untapered guide rod and does not extend beyond the rod when the assembly has been removed from the firearm. See illustration below right.



CAUTION: Firing the KP89X Convertible Model with the incorrect barrel and recoil spring combination could result in malfunction or damage to the firearm. Instructions for removing and replacing the barrel and recoil spring/guide rod assembly are contained in the “Disassembly” instructions on page 21.

5. Insert the magazine into the frame, taking care that the magazine is locked in place by the magazine latch. Slamming the magazine into the frame forcibly is not necessary.
6. Hold the pistol firmly in the shooting hand but **do not touch the trigger**. **Keep the pistol pointed in a safe direction and the safety “on”**. With the thumb and forefinger of the other hand grasp the **rear** of the slide and pull the slide to the rear as far as it will go. (See Figure 3, p. 15 and “Warning - Slide Retraction,” p. 18.) When released, the slide will fly forward to strip the top cartridge from the magazine and chamber it. The safety mechanism drops the hammer automatically as the slide moves forward while simultaneously blocking the firing pin.





FIGURE 3

Slide in Retracted Position

The trigger is inoperable when the safety is fully engaged in its “safe” position (lever fully down, white dot and letter “S” exposed; see Figure 1 on page 11).

WARNING: The pistol is ready for instant use in the single-action mode once the slide moves forward if the safety is in the “fire” position. Be careful!

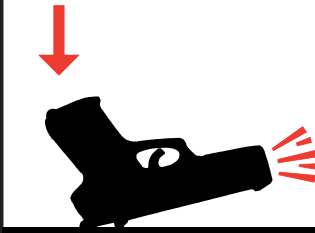
7. If the pistol is not to be fired immediately, the safety should remain in its “safe” position. (See Figure 1, p. 11.)
8. If the pistol is to be fired immediately, the manual safety can be rotated upward to its “fire” position. (See Figure 2, p. 11.) The firing pin is still blocked at all times by the internal firing pin block unless the trigger is pulled all the way to the rear.
9. The pistol is ready for instant use once the safety is disengaged. When the pistol is in the “uncocked” mode (hammer forward), the first shot can be fired double-action by pulling the trigger all the way to the rear, which cocks the hammer and then fires the pistol. Subsequent shots are fired single-action until the magazine is empty, the hammer being cocked by the slide as it recoils from each shot. Note that the trigger pull is much lighter for these subsequent shots.

 WARNING - FIRING	
	The slide automatically opens and shuts quickly while firing. Keep face and hands away from rear. Hot brass is ejected quickly and can burn you. Always wear shooting glasses and hearing protection.
SLIDE OPENS FAST - HOT BRASS EJECTED	

10. For greater accuracy and consistent trigger pull, the hammer may be manually cocked by the shooter before the first shot is fired once the safety is “off”. **Keep your finger off the trigger while cocking the hammer!** The hammer will be automatically cocked as described above for subsequent shots.



WARNING - HANDLING



Do not load the pistol until you are ready to use it, and unload it immediately when you have completed shooting. (See “Warning - Unloading” on page 17.)

If dropped or struck, the pistol may fire. Keep chamber empty unless actually firing! Use decock lever to decock pistol before moving with pistol or when not actually firing.

For maximum safety when carrying the pistol with a loaded magazine in place, the chamber should be empty, the slide should be closed, and the pistol should be decocked. **Never carry it cocked!** If placed into a holster, check it to be sure that the slide is not retracted far enough to either chamber a cartridge from the magazine or cock the pistol.

The user should never depend on any mechanical device to justify careless handling or permitting the pistol to point in an unsafe direction. The shooter should always be alert to the possibility of accidental discharge. **The only absolutely safe pistol is one in which the slide is open, the chamber is empty, and there is no magazine in the gun.**

ANY GUN MAY FIRE IF DROPPED

11. Immediately following the firing of a shot, and if a subsequent shot is not to be fired at once, put the safety in its “safe” position (lever fully down, white dot and letter “S” exposed) while the pistol is still pointing in a safe direction downrange. This will also uncock (decock) the pistol.
12. When the last cartridge loaded into the pistol has been fired, the magazine follower presses the slide stop upward to engage the slide automatically holding the action open. **If the slide is shut, the shooter should always assume that there is a cartridge in the chamber!**



Don't rely on your memory to know if a gun or magazine is loaded. Visually inspect the magazine and chamber.

TO UNCOCK (DECOCK) THE PISTOL

With the muzzle pointed in a safe direction, engage the safety fully. The hammer will drop near the end of the safety's travel. Although this may appear startling, it is important to note that the firing pin is cammed forward into the slide and locked in a neutral position thus preventing forward movement toward the cartridge; therefore, the pistol will not fire when the safety is applied. **Manually decocking the hammer with the thumb is neither necessary nor recommended.** Always use either the right- or left-hand safety lever. Remember that when you return the manual safety to the firing position, the pistol can fire when the trigger is pulled if a cartridge is in the chamber.

TO LOAD AND FIRE (WITHOUT MAGAZINE)

In the event that the magazine is missing or for training purposes (where it is desirable that only one cartridge be loaded and fired at a time for safety), the pistol can be fired with the magazine removed. To do so, **keep the pistol pointed in a safe direction, engage the safety** (lever fully down, white dot and letter “S” exposed), grasp the slide, and retract it fully to the rear. Next, push the slide stop upward so that the slide remains to the rear. Insert a single cartridge directly and fully into the chamber. Taking care to keep the pistol pointed in a safe direction, depress the slide stop. This will cause the slide to move vigorously forward into the firing position. **WARNING: The pistol is ready for instant use in the single-action mode once the slide moves forward and the safety is disengaged.** Finally, rotate either safety lever to the “Fire” position -- now the pistol can be fired in the double-action mode. Single-action firing is possible by manually cocking the hammer after the safety is disengaged. Note that the slide will not automatically remain open if the pistol is fired without the magazine in place. The ejector must always be pivoted to its rearward (upward) position when firing the pistol without the magazine.

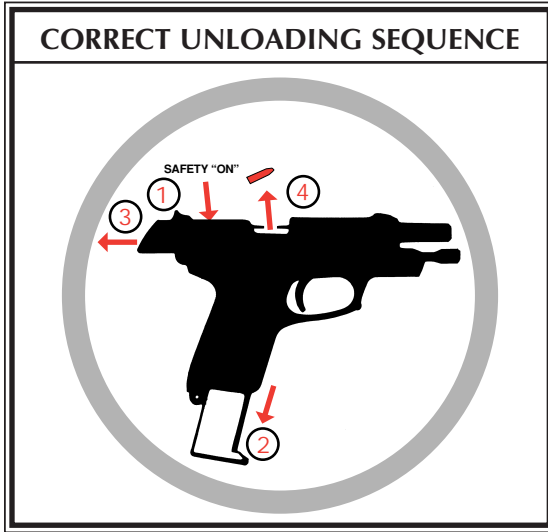
 WARNING - UNLOADING	
	So that the pistol can be used as a single loader, it will fire whether or not a magazine is in the gun if a cartridge is chambered. Removing magazine does not unload pistol! To unload, first remove magazine, then pull slide to rear, eject chambered cartridge, and visually inspect chamber to be sure it is empty. The safety should always be in its “Safe” position when loading or unloading the pistol. Always point the pistol in a safe direction when loading or unloading.
	GUN WILL FIRE WITH MAGAZINE OUT

TO UNLOAD

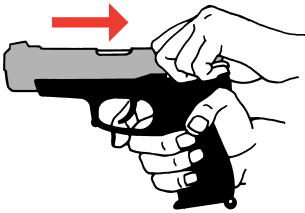
WARNING: This sequence must be followed exactly as outlined. Failure to do so can result in the chamber being unintentionally loaded with a live cartridge!

1. The muzzle of the pistol must be pointing in a safe direction at all times, and fingers should be outside of the trigger guard. Put the safety in its “safe” position (see Figure 1 on page 11) by rotating the safety fully downward until the letter “S” is fully exposed and the white dot shows. The safety can be engaged whether the pistol is cocked or not.
2. Remove the magazine from the pistol by pushing in on the magazine latch. **REMEMBER** that even though the magazine has been removed, a live round remaining in the chamber can still be fired. (See “Warning - Unloading,” above.)

3. Hold the pistol firmly and grasp the slide. Retract the slide to its rearmost position briskly to extract and eject any chambered cartridge. **Always double check visually that the chamber, breech-face, and the interior of the frame are clear of any live rounds.** When the slide is fully retracted, push upward on the slide stop, then allow the slide to move forward until it comes to rest with the rear projection of the slide stop resting in the notch on the lower left side of the slide.



WARNING - SLIDE RETRACTION



The slide should always be pulled rearward ("retracted") by pulling the rear portion of the slide in the vicinity of the safety, the decock-only lever, or the serrations (depending upon model). **Always keep fingers away from trigger!**



Never put any part of your hands or body over the muzzle while retracting the slide for loading, unloading, inspection, or clearing a malfunction.

**KEEP HANDS
AWAY FROM MUZZLE AND
FINGER OFF TRIGGER**

4. To close the slide, **again check to be sure the chamber and breech-face are empty.** Pull the slide to its rearmost position and release it. The slide will snap forward. Keep fingers out of ejection port on top of slide!
5. If the magazine contains cartridges, they can be removed by sliding each cartridge forward and out of magazine, one at a time, until the magazine is empty.
6. Push empty (unloaded) magazine into frame until magazine latch locks it in place.

TO RELOAD THE PISTOL

1. Firing all cartridges in the magazine and the chamber will cause the slide to automatically lock open. **Keep the pistol pointed in a safe direction.** Reloading can be accomplished by moving either the right- or left-hand safety lever fully downward to the “safe” position (lever fully down, white dot and the letter “S” exposed) and then pressing forward on either magazine latch with the thumb or forefinger. The magazine will fall free of the pistol of its own weight. To avoid the possibility of damage to the magazine, do not let it fall to the ground unless rapid reloading is absolutely necessary.
2. Insert a loaded magazine. **WARNING: The slide stop is spring-loaded to move downward. Therefore, when there is a loaded magazine in place and the pistol is jarred, the slide can fly forward and chamber a cartridge. For this reason and as an essential safety practice, the safety of the pistol should always be fully “on” except when the user is positioned to fire the gun at a selected target.**
3. Release the slide to move forward by either depressing the rear portion of the slide stop or pulling the slide fully to the rear and release it. A cartridge will be chambered when the slide shuts. If you are ready to fire immediately move the manual safety fully upward to its “Fire” position. **WARNING: The pistol is ready to fire in the “double action” mode once manual safety is disengaged.** It can also be recocked to fire in the single-action mode.
4. If the pistol is not to be fired immediately, depress the manual safety fully until the hammer drops and **keep the safety “on” at all times except when actually firing.** When you are finished firing the pistol, unload it completely. (See pages 17 - 19.)




TO EXTRACT AND EJECT A CHAMBERED CARTRIDGE

When the pistol is fired, the same gas pressure that drives the bullet forward also acts through the cartridge case to push the slide to the rear. The action causes extraction and ejection of the fired cartridge case. If a cartridge fails to fire or if the shooter wishes to eject the chambered cartridge manually, follow the procedure “To Unload” step 3, p. 18. When the slide is operated by hand, there can be a failure to extract the cartridge from the chamber, or a failure to eject the

cartridge clear of the pistol. These failures usually are the result of the slide not being pulled rearward vigorously. From the foregoing, it is clear that the gun user must:

1. Always visually check the chamber and the breech-face after opening the slide to eject a chambered cartridge. If the slide is not vigorously retracted when being operated by hand, the extracted cartridge can be “ejected” into the magazine-well of the grip frame or remain held to the breech-face by the extractor.
2. Thoroughly clean the chamber and the extractor as often as necessary.

If an empty magazine is in the pistol when the slide is being hand retracted to extract a cartridge, the cartridge may drop on top of the magazine or remain held to the breech-face by the extractor. Then when the slide goes forward, the cartridge will be chambered again! **Remember — always remove the magazine before clearing the chamber, and visually ensure that no cartridges remain in the gun.**

 WARNING - MALFUNCTIONS	
	<p>Any autoloading pistol may occasionally malfunction. If a cartridge hangs up, jams, or binds when being chambered, do not attempt to force it into the chamber by pushing or striking the slide. Carefully remove it.</p> <p>Most failures of a cartridge to feed or to chamber properly are caused by a damaged magazine, incorrect gun handling, insufficient lubrication, or improper ammunition.</p> <p>Whatever the cause, the user of the pistol must, above all, recognize that any cartridge jam can result in the very potentially dangerous situation of a cartridge discharging before it is properly chambered. If this happens, the cartridge case may rupture and its fragments fly out of the ejection port of the pistol with sufficient force to cause serious injury. Always wear shooting glasses and hearing protectors!</p>
	HITTING PRIMER CAN BURST CARTRIDGE

TO CLEAR A MALFUNCTION (“JAM”)

1. **Be certain the muzzle is continually pointed in a safe direction and that the safety levers are in the “safe” position (each lever fully down, white dot and the letter “S” exposed).**
2. If possible, remove the magazine. It may be necessary to manually remove a jammed cartridge that has only been partially stripped from the magazine. If so, use extreme care. Lock the slide open with the slide stop before attempting

to clear the jam. Drawing the slide fully to the rear may bring the jammed cartridge along. **Keep your face away from the ejection port during this operation.** When attempting to clear a jam, use only wood “tools” so that the cartridge will not be damaged or the primer ignited. A 3/16” wooden dowel with a point on one end is useful.

3. Visually check to make sure that all cartridges have been removed from the pistol. Safely dispose of any cartridges involved in a malfunction incident. Do not use damaged ammunition in any firearm.

TO MINIMIZE MALFUNCTIONS (“JAMS”)

1. If it appears that the jam was caused by the type of ammunition being used, try another brand, type, or lot number. Remember — use only factory ammunition of the correct caliber.
2. If changing ammunition does not at once eliminate malfunctions, then the following steps should be taken:
 - a. Thoroughly clean the pistol, paying particular attention to the removal of accumulated grease and dirt. Use a bristle brush and solvent to remove grease and fouling from the breech-face, extractor, chamber, and feed ramp area immediately behind the chamber.
 - b. Check to be sure that the magazine spring firmly returns the magazine follower to the top of the magazine.
 - c. Check the magazine lips to be certain that they are free of nicks and burrs and that they are not deformed or cracked.
 - d. Remove excess oil and solvent from all cleaned components, load the magazine, and try the pistol again. Make sure you are following the correct loading and firing sequence as described in this manual.
 - e. If none of the above steps is effective, try a different magazine of Ruger manufacture. If a new magazine does not function correctly, return the pistol and magazines to the Ruger Product Service Department. (See “Shipping Firearms For Repair” on page 27.)
 - f. **Alterations to the pistol or use of non-Ruger magazines and accessories may cause malfunctions. See “Warning - Alterations” on page 8.**

TO DISASSEMBLE

1. **Keep pistol pointed in a safe direction and place either safety lever in the “safe” position** (lever fully down, white dot and the letter “S” exposed). Press forward on either magazine latch and withdraw magazine from butt of pistol.
2. Pull slide to rear and lock in open position by pressing upward on rear end of slide stop. **Again, be sure chamber is empty!**
3. **Keep upward pressure on slide stop to prevent forward movement of slide.** Open slide is under strong spring tension and could injure fingers if allowed to slam shut. Insert finger through top of slide and push ejector downward

and forward (see Figure 4, below) until it locks in its lower position. This will permit forward movement of slide. Further disassembly is impossible unless this is done.

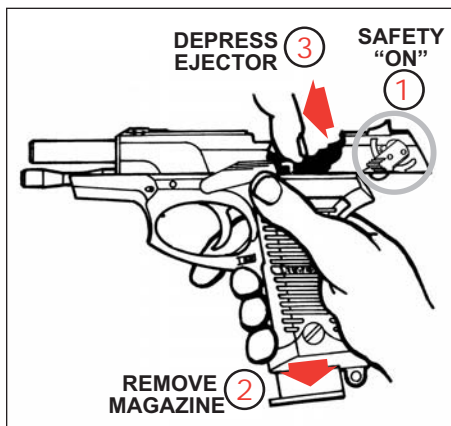


FIGURE 4

Press slide stop up. Depress ejector.

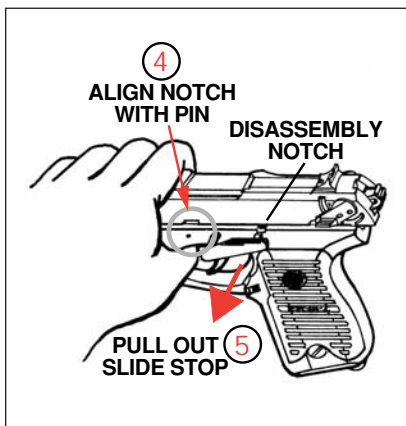


FIGURE 5A

Slide stop in disassembly position.

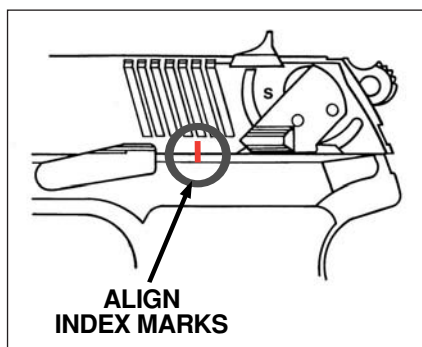


FIGURE 5B

4. Remove fingers from ejection port. Grasp slide tightly. Now press down on slide stop and allow slide to move slowly forward until the slide stop spring retainer pin is aligned with the front edge of the slide stop notch. Press in on right-hand end of slide stop and pull slide stop out of frame to the left until it locks in its withdrawn position. (See Figure 5A, above.) Do not attempt to pull it completely out of the frame. For the P94 & P944 pistols, press down on the slide stop and allow the slide to move slowly forward until the vertical index marks on the left side of the frame are aligned. (See Figure 5B, above.)
5. Push slide forward and remove entire slide assembly to the front.
6. With slide held upside down, lift rear end of guide rod to disengage it from its seat against the barrel lug. Withdraw spring and guide rod to the rear of the slide. **CAUTION: Spring is under tension!**
7. Pull barrel upward out of slide slightly and withdraw to the rear.

- This completes normal fieldstripping for routine cleaning and lubrication purposes. Further disassembly of slide or frame components is not recommended and should only be undertaken by the factory.



TO REASSEMBLE

- Be certain chamber and magazine are empty.
- With slide held upside down, replace barrel and push it rearward into its locked position.
- Replace guide rod and recoil spring assembly (the smaller diameter end of spring against collar) into position. Rear end of guide rod seats against barrel lug. Barrel link must be in vertical (hole showing) position, or pistol cannot be reassembled.
- Be certain that ejector is locked in its lower (forward) position and that hammer is in its fired (uncocked) position.
- Replace slide onto frame.
- Pull slide back until disassembly notch is opposite lug on slide stop. Press slide stop all the way through the frame to the right.
- Allow slide to move fully forward.
- Replace empty magazine in frame through butt of pistol. This action returns the ejector to its working position. This pistol will not function normally unless the ejector is in its upward (rearward) position.

MAGAZINE INSPECTION AND CARE

Check the magazine frequently. The magazine follower must move freely and have adequate tension so that each cartridge is quickly raised to the feeding position. The magazine lips should be clean and free of cracks, dents, or nicks, so that cartridges are held in their proper feeding position.

If the magazine becomes dirty, it should be disassembled and thoroughly cleaned. You could encounter two types of Ruger magazines, with either a pinned base or a snap-on base. The following disassembly instructions apply:

Pinned Base (used on 10 round 9mm magazines) - Use a punch to remove the roll pin that extends through the side of the magazine body. Once the roll pin has been removed, pull the magazine base from the bottom of the magazine body, taking care to prevent the forcible ejection of the compressed magazine spring. Withdraw the magazine spring from the magazine body. Turn the magazine upside down and remove the follower.

Snap-On Base - Use a punch to press in on the magazine spring seat where it protrudes into the hole in the magazine floorplate. Slide the magazine floorplate toward the front of the magazine, taking care to prevent the forcible ejection of the magazine spring seat and compressed magazine spring. Withdraw the magazine spring seat and magazine spring from the magazine body. Turn magazine upside down and remove magazine follower. Reassemble in reverse order.

When cleaning is necessary, use a solvent that will not rust the metal components or adversely affect the magazine body. After the magazine has been soaked to loosen foreign matter, be certain to shake it vigorously (with the loading opening away from you) to remove solvent or residue from within the magazine.

Penetrating oils and solvents inside a magazine can “kill” or weaken cartridge primers which can result in failures to fire or other possibly dangerous malfunctions, such as leaving a bullet in the bore!

After cleaning always check to be certain that the magazine follower movement and tension are correct, and that no solvent or debris remain. Improper reassembly of the magazine spring can cause a potentially dangerous malfunction. If cleaning does not restore proper tension, or if you experience a problem with the magazine, don't use it. Get a new one.

CARE AND CLEANING

Make Sure Gun Is Unloaded!


Before cleaning, be certain the pistol and its magazine contain no cartridges. (See “Warning - Unloading ,” p. 17.)

At regular intervals, or whenever the pistol has been exposed to sand, dust, extreme humidity, condensation, immersion in water, or other adverse conditions, disassemble, clean, and oil it. Proper periodic maintenance is essential to the reliable functioning of any firearm.

To clean the pistol, proceed as follows:

1. Disassemble (fieldstrip) the pistol to the extent described on pages 21 & 22.
2. Using a cleaning rod, run a solvent-wetted patch through the bore several times. Then attach a solvent-wetted bristle brush to the rod and run it back and forth the full length of the bore as many times as necessary to remove grease and dirt from the bore and chamber. Clean bore with dry patches and examine. Bore fouling can contribute to reduced accuracy, and grease accumulation in the chamber can interfere with proper feeding of cartridges from the magazine.

3. Using powder solvent on a clean patch or bristle brush, remove powder residue from all components of the mechanism. After cleaning, run a dry patch through the bore, then follow with a patch that is very lightly oiled. Wipe all surfaces clean with cloth, then wipe all surfaces with a patch or cloth that has been very lightly oiled.
4. **NOTE:** Only a light application of oil is needed to provide adequate lubrication of moving parts and to prevent rust. Excess accumulations of oil tend to attract particles of dust and dirt and may congeal in cold weather, which can interfere with the safe and reliable function of the pistol.
5. Before firing, remove all oil and grease from the bore.

! WARNING - LUBRICATION	
	<p>Firing a pistol with oil, grease, or any other material even partially obstructing the bore may result in damage to the pistol and serious injury to the shooter and those nearby. Do not spray or apply lubricants directly on ammunition. If the powder of a cartridge is affected by the lubricant, it may not be ignited, but the primer firing may push the bullet into the bore where it may be lodged. Firing a subsequent bullet into the obstructed bore may damage the pistol and cause serious injury or death to the shooter and those nearby. Use lubricants properly. You are responsible for the proper care and maintenance of your firearms.</p>
IMPROPER LUBRICATION DESTROYS GUNS	

STORAGE

GUNS SHOULD NOT BE STORED LOADED!

**USE THE LOCKING DEVICE SUPPLIED WITH THE PISTOL FOR STORAGE.
(SEE PAGE 5)**

Sturm, Ruger also offers gun safes for sale as a means to secure more than one firearm. Please call (208) 425-3052 for details and ordering information.

Do not keep the pistol stored in a leather holster or case. Leather attracts moisture, even though the holster or case may appear to be perfectly dry.


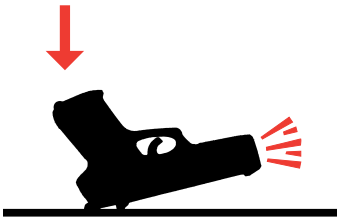
TO RENDER THE PISTOL INOPERATIVE FOR SAFE STORAGE

With the muzzle pointed in a safe direction, remove the magazine, retract the slide, and check the chamber to be sure the pistol is completely unloaded! Keep the muzzle pointed in a safe direction, and press upward on the slide stop. Insert a finger into the action and press the ejector assembly fully forward. Next, pull the slide stop pin out the left side of the pistol frame until it stops. Now remove the slide and barrel assembly forward off the front of the frame.

Store the pistol's frame and the barrel/slide assembly in different locations. When disassembled in this manner, this pistol is inoperable. It is impossible to fire the pistol until the barrel/slide assembly and frame have been correctly reassembled.

To reassemble the pistol for firing, carefully slide the barrel/slide assembly onto the frame. Align the disassembly marks on the frame and slide, and then push the slide stop pin fully into the receiver from the left. Either reinsert an empty magazine or lock the slide open and push the ejector back upward and rearward with a finger. The pistol is now reassembled and can be loaded and fired normally.

While the pistol is less likely to be used by unauthorized persons when disassembled in the above manner, it is always safest to store any firearm with the supplied locking device correctly installed, or to store the firearm in a gun safe or other secure location away from children and unauthorized adults. Guns should always be stored securely, unloaded and separate from their ammunition.

	
<h2>WARNING – STORAGE</h2>	
	<p>Never place or store any firearm in such a manner that it may be dislodged. Firearms should always be stored securely and unloaded, away from children and careless adults. Use the locking device originally supplied with this firearm for storage.</p> <p>The use of a locking device or safety lock is only one aspect of responsible firearms storage. For increased safety, firearms should be stored unloaded and locked in a location that is both separate from their ammunition and inaccessible to children and any other unauthorized person.</p>
STORE SECURELY & UNLOADED	

SIGHT ADJUSTMENT

The **RUGER® P-SERIES** Pistols are equipped with a rear sight which is adjustable for windage only. After the rear-sight lock screw has been loosened (for those pistols equipped with a rear sight lock screw), the rear sight can be drifted laterally in its dovetail on the top of the slide by tapping it with a wooden- or plastic-headed hammer or similar implement. Move the rear sight in the direction you want the shot to move on the target. After the rear sight is adjusted, tighten the rear-sight lock screw. The front sight is fixed. Both front and rear sights are provided with white-dot inserts for rapid target acquisition and easy alignment of the sights to obtain a correct sight picture.

SERVICE AND PARTS POLICY

If you have any questions with regard to the performance of your **RUGER® P-SERIES** pistol, please write or call (928)778-6555 our Product Service Department in Prescott, Arizona, fully describing all circumstances and conditions involved. If you should return your pistol to the factory for repair, or order parts for it, please comply with the following suggestions for prompt service:



WARNING—BEFORE SHIPPING ANY FIREARM, BE ABSOLUTELY CERTAIN THAT IT AND ITS MAGAZINE ARE UNLOADED. DO NOT SHIP CARTRIDGES WITH A FIREARM.

SHIPPING FIREARMS FOR REPAIR:

RUGER® P-SERIES pistols returned to the factory for services or repair should be sent to: Sturm, Ruger & Company, Inc., Product Service Department, 200 Ruger Road, Prescott, AZ 86301-6181. Telephone (928)778-6555.



Guns should be sent prepaid. We will not accept collect shipments.

The Federal Gun Control Act, as well as the laws of most States and localities, do not prohibit an individual (who is not otherwise barred from purchasing or possessing a firearm) from shipping a firearm directly to the manufacturer for repair. However, before you ship your pistol to us, be certain that your State or locality does not have a law or regulation which will prohibit you from receiving the pistol from us after it has been repaired. If such receiving is prohibited, then please have a Federally Licensed Firearms Dealer ship the gun to us. If your pistol is sent to us by a dealer, it will be returned to him after being repaired. If a handgun (pistol or revolver) is shipped by an individual who does not hold a Federal Firearms License, it must be shipped for overnight delivery via U.P.S., Federal Express or other, similar private overnight service. NOTE: Firearms may not be shipped via U.S. Mail. Persons who do not hold a Federal Firearms License are prohibited by Federal law from shipping a handgun by Mail. Handguns mailed in violation of the law are impounded by the Post Office.

Please do not include holster, custom grip panels, or accessories with a firearm being shipped to the factory for service. **DO NOT SEND GUN BOXES OR LITERATURE THAT YOU CONSIDER TO BE COLLECTOR'S ITEMS – THESE ARE INVARIABLY DAMAGED OR DESTROYED IN SHIPMENT.** Always insure your shipment.

Enclose a letter which includes your name, address, telephone number, and serial number and model of the firearm. Describe in detail the trouble you have experienced with your firearm, or the work you wish to have done. Merely stating that the firearm "needs repair" is inadequate information. Please enclose copies of any previous correspondence.

Work performed will bear a net minimum labor charge of \$20.00 plus a \$30.00 shipping and handling charge. The charge for metal refinishing the **RUGER® P-SERIES** pistol (except the aluminum frame, which we cannot refinish) is \$50.00, plus a \$30.00 shipping and handling charge. Custom gunsmithing service or nonstandard alterations are NOT AVAILABLE from Ruger Product Service Departments.

 WARNING - PARTS PURCHASERS	
	It is the purchaser's responsibility to be absolutely certain that any parts ordered from the factory are correctly fitted and installed. Firearms are complicated mechanisms and IMPROPER FITTING OF PARTS MAY RESULT IN A DANGEROUS MALFUNCTION, DAMAGE TO THE FIREARM, AND SERIOUS INJURY TO THE SHOOTER AND OTHER PERSONS. The purchaser and installer of parts must accept full responsibility for the correct adjustment and functioning of the pistol after such installation.
	PARTS MUST FIT CORRECTLY

ORDERING PARTS

Please contact the Arizona Product Service Department for parts availability and current prices. All parts orders for the **RUGER® P-SERIES** pistols should be sent to: Sturm, Ruger & Company, Inc., Parts Department, 200 Ruger Road, Prescott AZ 86301-6181, (928) 778-6555. We cannot comply with open account or C.O.D. requests. Payment in the form of a check, money order, Visa or Mastercard must accompany your order. Credit Card orders must include the account number, expiration date and whether it is a Visa or Mastercard account. Minimum parts order is \$1.00 plus a \$3.50 shipping and handling charge. Order parts by Part Number and Part Name, include the entire serial number of the firearm for which the parts are being ordered. There is a minimum net labor charge of \$20.00 plus \$30.00 shipping and handling charge if the parts are factory fitted. All factory-fitted parts are fitted on an exchange basis only. We will not return the replaced parts.

Because it is a serial numbered component, the **RUGER® P-SERIES** frame is defined as a "firearm" by Federal law and is not sold as a separate component.

*Parts designated by an asterisk must be factory fitted. These parts are fitted on an exchange basis only. We will not return the replaced parts. We will not return any part that is broken, malfunctioning, badly worn or has been modified. See "Warning - Parts Purchasers," above.



CAUTION: A gun containing modified, broken, malfunctioning, or badly worn parts should not be fired!

RUGER® P89, P90™, P94™ & P944 PISTOLS

PARTS LIST

Design, prices and specifications subject to change without notice.

SPECIFY MODEL AND CALIBER WHEN ORDERING

(See Exploded Views on Pages 35, 36, 37 & 38)

29

Part Name	Part No.	Model
* Barrel Assembly - 9mm or 9mm/30 Luger	KV00613-100	P89
* Barrel Assembly - 45 Auto	KQ00600-100	P90
* Barrel Assembly - 9mm	KV00619-100	P94
* Barrel Assembly - 40 S&W	KV00622	P944
* Barrel Assembly - 9mm/.30 Luger	KV00617-100	P89X
Barrel Link (Guide Rod with Tip)	V00700	P89, P90
Barrel Link (Guide Rod without Tip)	V00702	P89, P90
Barrel Link Pin, Not Illustrated	KV00350	P89, P90, P94
* Blocker Lever	KV02112	P89, P90, P94, P944
Camblock	KV07010	P944
Camblock/Recoil Spring Assembly	KV07010-100	P944
Case Combo - 9mm	PGCC-9mm	P89, P94
Case Combo - 40 S&W	PGCC-40SW	P944
Case Combo - 45 Auto	PGCC-45ACP	P90
Case Only	PGC-CF	P89, P90, P94, P944
** Ejector	V00900	P89**
Ejector	Q00900	P90
†† Ejector - 9mm	V00903	P89††, P94
Ejector - 40 S&W	V00904	P944
Ejector Pin	KV01250	P89, P90, P94, P944
Ejector Spring	KV00951	P89, P90, P94, P944

Part Name	Part No.	Model
* Extractor	V01400	P89 - Blued Models
* Extractor	KV01400	P89 - Stainless Models
* Extractor	Q01400	P90 - Blued Models
* Extractor	KQ01400	P90 - Stainless Models
* Extractor - 9mm	V01404	P94 - Blued Models
* Extractor - 9mm	KV01404	P94 - Stainless Models
* Extractor - 40 S&W	V01405	P944 - Blued Models
* Extractor - 40 S&W	KV01405	P944 - Stainless Models
Firing Pin	KV01121	P89
Firing Pin	KQ01109	P90, P94, P944
* Firing Pin Block	KV02102	P89, P94, P944
* Firing Pin Block	KQ05000	P90
* Firing Pin Block Plunger	KH05100	P89, P90, P94, P944
* Firing Pin Block Spring	KQ05600	P89, P90, P94, P944
Firing Pin Spring	KV01850	P89, P90, P94, P944
Front Sight, Must Be Drilled For Cross Pin	V03203	P89, P90, P94, P944
Front Sight Cross Pin, 2 Req'd.	V04700	P89, P90, P94, P944
Grip Panels, Sold In Pairs Only	V00800	P89, P90
Grip Panels, Sold In Pairs Only	V00803	P94, P944
Grip Panel Screws, 2 Req'd.	V01300	P89, P90, P94, P944
Guide Rod (with tip)	V22000	P89, P90
Guide Rod (without tip)	V02000	P89, P90
Guide Rod - 9mm	V02040	P94
Guide Rod	V02002	P89X
Guide Rod/Recoil Spring Assembly (with tip)	V22000-100	P89, P90
Guide Rod/Recoil Spring Assembly (without tip)	V02000-100	P89, P90
Guide Rod/Recoil Spring Assembly - 9mm	V02040-100	P94

Part Name	Part No.	Model
Guide Rod/Recoil Spring Assembly	V02002-100	P89X
* Hammer	KV04004	P89, P90, P94, P944
* Hammer Assembly	KV04004-100	P89, P90, P94, P944
Hammer Pivot Assembly	V22300	P89, P90, P94, P944 - Blued Models
Hammer Pivot Assembly	KV22300	P89, P90, P94, P944 - Stainless Models
Hammer Spring	V00400	P89, P90, P94, P944
Hammer Spring Seat (with Lanyard Loop)	V02402	P89, P90, P94
Hammer Spring Seat (without Lanyard Loop)	V02400	P89, P90, P94, P944
Hammer Spring Seat Pin	KV02550	P89, P90, P94, P944
Hammer Strut	V01601	P89, P90, P94, P944
Hammer Strut Pin, Not Illustrated	KV05150	P89, P90, P94, P944
** Magazine Complete, 10-Shot Capacity - 9mm	KP-15/10	P89**
†† Magazine Complete, 10-Shot Capacity - 9mm	P-18/10	P89††, P94
Magazine Complete, 7-Shot Capacity - 45 Auto	P-16	P90
Magazine Complete, 10-Shot Capacity - 40 S&W	P-17/10	P944
Magazine Floor Plate, 10-Shot, Pinned - 9mm	V01007	P89, P94
Magazine Floor Plate, 10-Shot, Snap On - 9mm	V01009	P89, P94
** Magazine Floor Plate, 15-Shot, Metal - 9mm	V01000	P89**
†† Magazine Floor Plate, Snap On, Plastic - 9mm or 40 S&W	V01003	P89†† (15-shot), P944 (10-shot)
Magazine Floor Plate, 7-Shot - 45 Auto	Q01020	P90
Magazine Follower - 45 Auto	Q02910	P90
Magazine Follower - 9mm	V02907	P89, P94
Magazine Follower - 40 S&W	V02900	P944
Magazine Latch, Right	KQ02600	P90
Magazine Latch, Left	V02601	P89 - Blued Models
Magazine Latch, Left	KV02601	P89 - Stainless Models

Part Name	Part No.	Model
Magazine Latch, Left	V02604	P94, P944 - Blued Models
Magazine Latch, Left	KV02604	P94, P944 - Stainless Models
Magazine Latch, Right	V02600	P89 - Blued Models
Magazine Latch, Right	KV02600	P89 - Stainless Models
Magazine Latch, Right	V02603	P94, P944 - Blued Models
Magazine Latch, Right	KV02603	P94, P944 - Stainless Models
Magazine Latch Spring	V02700	P89, P94, P944
Magazine Latch Spring	KQ02700	P90
Magazine Loader	QML	P90
Magazine Loader	PML	P89, P94, P944
** Magazine Shell, 10-Shot - 9mm	KV00506	P89**
†† Magazine Shell, 10-Shot, Pinned - 9mm	V00502	P89 ††, P94
†† Magazine Shell, 10-Shot, Snap On - 9mm	KV00505	P89 ††, P94
Magazine Shell, 10-Shot, Pinned - 40 S&W	V00514	P944
Magazine Shell, 7-Shot - 45 Auto	KQ00500	P90
Magazine Spring, 7-Shot - 45 Auto	KQ03001	P90
Magazine Spring, 10-Shot - 9mm	V03003	P89, P94
Magazine Spring, 15-Shot - 9mm, 10-Shot - 40 S&W	V03000	P89, P944
Magazine Spring Seat	KQ03100	P90
Magazine Spring Seat	V03102	P89, P94, P944
Rear Sight	V03301	P89
Rear Sight	Q03300	P90
Rear Sight	V03307	P94, P944
Rear Sight Lock Screw	V08001	P89, P90, P94, P944
Recoil Spring	V02800	P89, P90
Recoil Spring - 9mm	V02805	P94
Recoil Spring	V02809	KP89X

Part Name	Part No.	Model
Recoil Spring Collar - 40 S&W	V06104	P944
Recoil Spring Collar Retainer - 40 S&W	V06205	P944
Recoil Spring, Inner - 40 S&W	V02814	P944
Recoil Spring, Outer - 40 S&W	V02821	P944
Safety, Left	Q01501	P89, P90, P94, P944 - Blued Models
Safety, Left	KQ01501	P89, P90, P94, P944 - Stainless Models
Safety, Right	Q01551	P89, P90, P94, P944 - Blued Models
Safety, Right	KQ01551	P89, P90, P94, P944 - Stainless Models
Safety Detent Plunger	KV04600	P89, P90, P94, P944
Safety Detent Plunger Spring	KV04100	P89, P90, P94, P944
* Sear	KV02219	P89, P94, P944
* Sear	KQ02218	P90
Sear Pivot Pins, 2 Req'd.	KV04450	P89, P90, P94, P944
Sear Spring	KV06421	P89, P90, P94, P944
* Slide	V00105	P89 - Blued Models
* Slide	KV00105	P89 - Stainless Models
* Slide	Q00100	P90 - Blued Models
* Slide	KQ00100	P90 - Stainless Models
* Slide - 9mm	V00113	P94 - Blued Models
* Slide - 9mm	KV00113	P94 - Stainless Models
* Slide - 40 S&W	V00126	P944 - Blued Models
* Slide - 40 S&W	KV00126	P944 - Stainless Models
Slide Stop	V03700	P89 - Blued Models
Slide Stop	KV03700	P89 - Stainless Models
Slide Stop	Q03700	P90 - Blued Models
Slide Stop	KQ03700	P90 - Stainless Models
Slide Stop	V03701	P94 - Blued Models

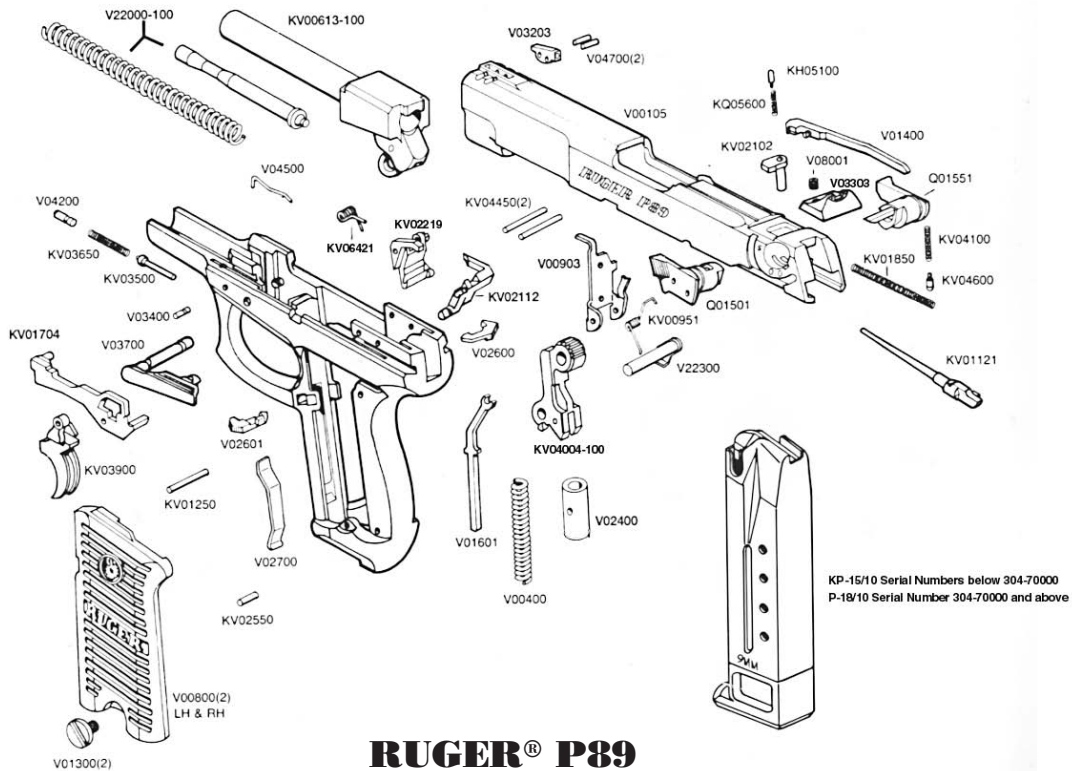
Part Name	Part No.	Model
Slide Stop	KV03701	P94 - Stainless Models
Slide Stop Assembly	V03716-100	P944 - Blued Models
Slide Stop Assembly	KV03716-100	P944 - Stainless Models
Slide Stop Detent Retainer	V05310	P944
Slide Stop Spring	V04500	P89, P90
Slide Stop Spring Retainer	V03400	P89, P90
Slide Stop Spring Retainer	KV03450	P89, P90
* Trigger	KV03900	P89, P90
* Trigger	KV03902	P94
* Trigger	KV03913	P944
* Trigger Bar	KV01704	P89
* Trigger Bar Assembly	KQ01704-100	P90
* Trigger Bar Assembly	KV01703-100	P94, P944
Trigger Bar Plunger	KV03500	P89
Trigger Bar Plunger Spring	KV03650	P89
Trigger Bar Spring	V05401	P94, P944
Trigger Bar Spring Retainer	V04200	P89 - Blued Models
Trigger Bar Spring Retainer	KV04250	P89 - Stainless Models
Trigger Pivot Pin	V06710	P944
Trigger Plunger	KV04100	P944
Trigger Plunger Spring	KV04600	P944

* PARTS SO MARKED MUST BE FACTORY FITTED

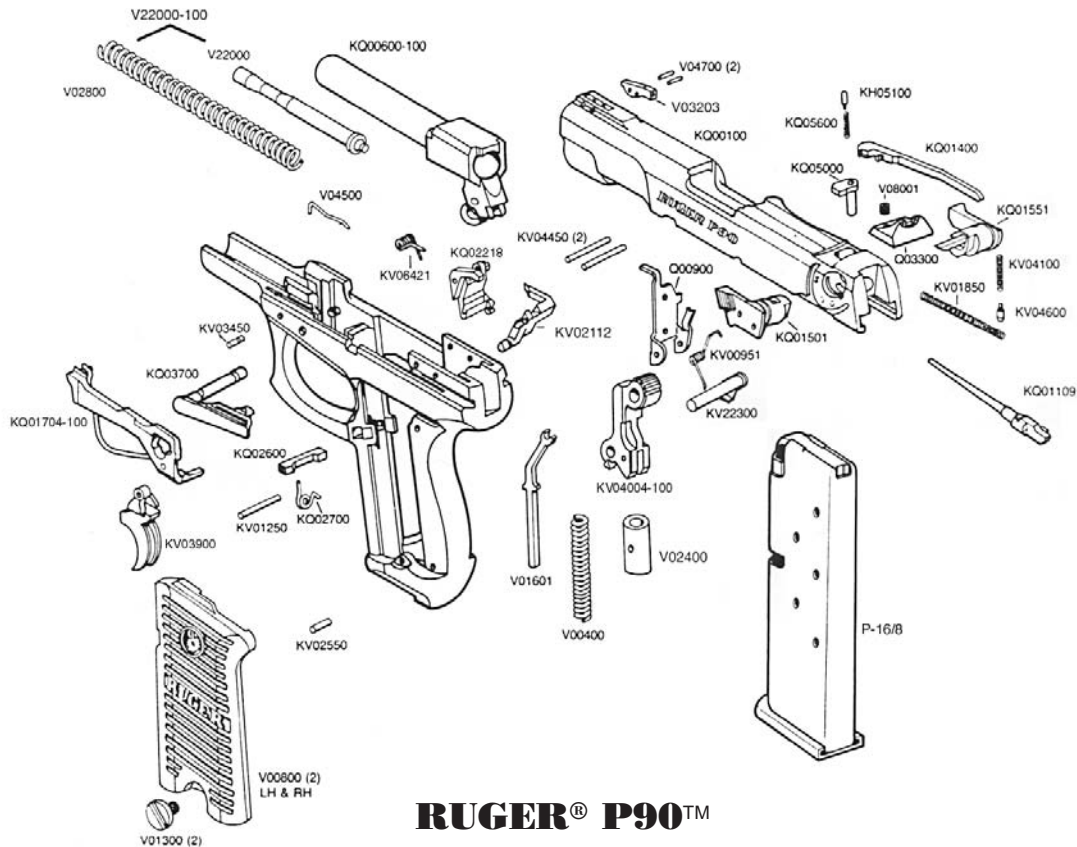
** Will fit P-89 Serial Numbers below 304-70000.

†† Will fit P-89 Serial Numbers 304-70000 and above.

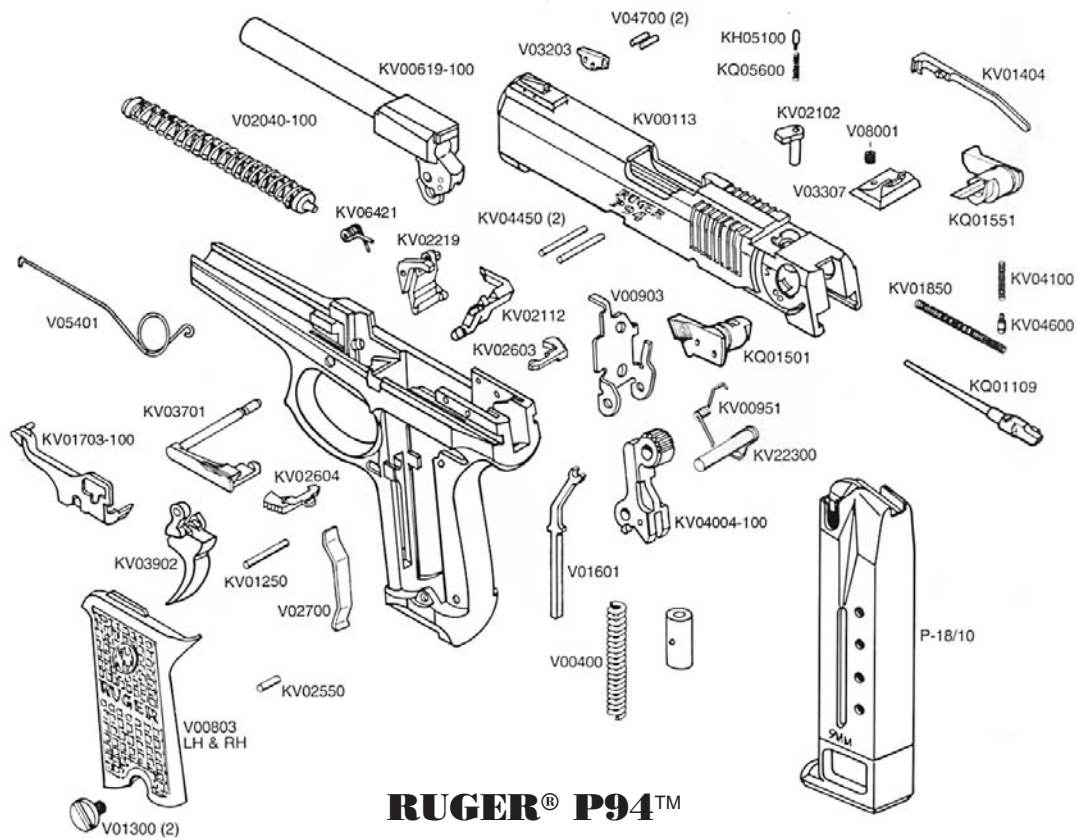
NOTE: The KP89X is out of production, however this pistol uses all of the same parts as the stainless KP89 model with the exception of .30 Luger parts, ie: barrel and guide rod/recoil spring assembly.



RUGER® P89
EXPLODED VIEW



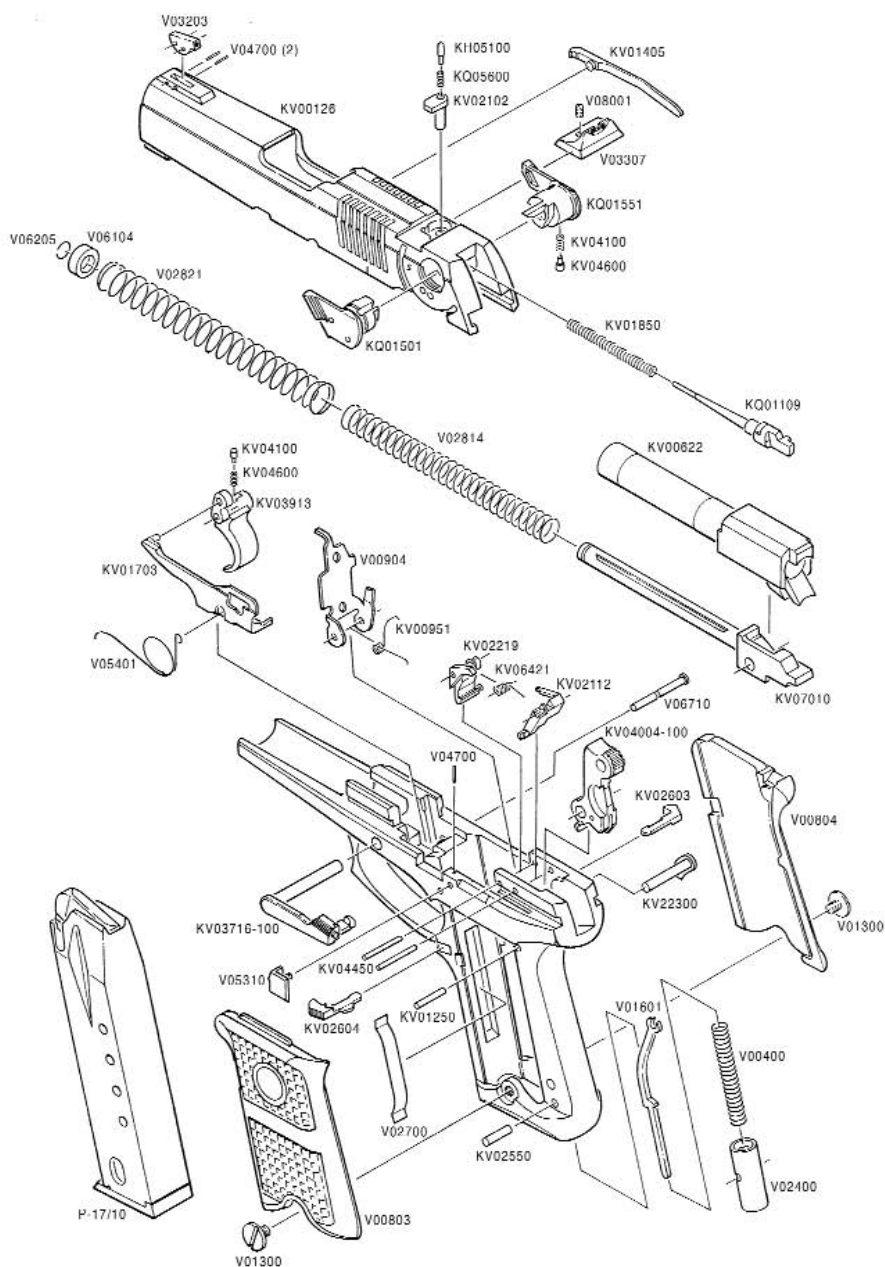
RUGER® P90™
EXPLODED VIEW



RUGER® P94™
EXPLODED VIEW

RUGER® P944

EXPLODED VIEW



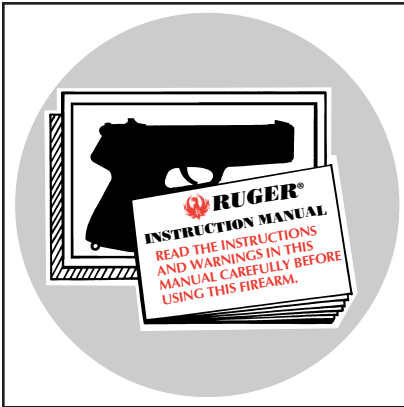
THE BASIC RULES OF SAFE FIREARMS HANDLING

We believe that Americans have a right to purchase and use firearms for lawful purposes. The private ownership of firearms in America is traditional, but that ownership imposes the responsibility on the gun owner to use his firearms in a way which will ensure his own safety and that of others. When firearms are used in a safe and responsible manner, they are a great source of pleasure and satisfaction, and represent a fundamental part of our personal liberty.

Firearms do not cause accidents! Firearms accidents are almost always found to have been the result of carelessness, or ignorance on the part of the shooter of the basic rules of safe gun handling.

The following rules must be observed by gun users at all times. Safe gun handling is not just desirable, it is absolutely essential to your safety, the safety of others, and the continuation of gun ownership and sport shooting as we know it today.

1. LEARN THE MECHANICAL AND HANDLING CHARACTERISTICS OF THE FIREARM YOU ARE USING.



Not all firearms are the same. The method of carrying and handling firearms varies in accordance with the mechanical provisions for avoiding accidental discharge and the various proper procedures for loading and unloading. No person should handle any firearm without first having thoroughly familiarized himself with the particular type of firearms he is using, and with safe gun handling in general.

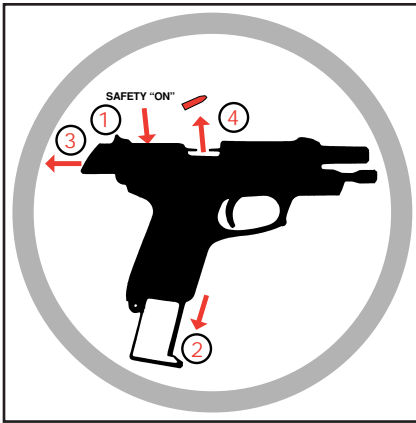
2. ALWAYS KEEP THE MUZZLE POINTED IN A SAFE DIRECTION.



Be sure of the bullet stop behind your target, even when dry-firing. Never let the muzzle of a firearm point at any part of your body or at another person. This is particularly important when loading or unloading a firearm. In the event of an accidental discharge, no injury can occur as long as the muzzle is pointing in safe direction. A safe direction means a direction which will not permit a discharged bullet to strike a person, or to strike an object from which the bullet may ricochet.

A safe direction must take into account the fact that a bullet may penetrate a wall, ceiling, floor, window, etc., and strike a person or damage property. Make it a habit to know exactly where the muzzle of your gun is pointing whenever you handle it, and be sure that you are always in control of the direction in which the muzzle is pointing, even if you fall or stumble. Keep your finger off the trigger until you are ready to shoot.

3. FIREARMS SHOULD BE UNLOADED WHEN NOT IN USE.



Firearms should be loaded only when you are in the field or on the target range or shooting area, ready to shoot. Firearms and ammunition should be securely locked in safes, racks or cabinets, or by using the locking device supplied with the firearm when not in use. Ammunition should be safely stored separate from firearms. Store your firearms out of sight of visitors and children. It is the gun owner's responsibility to be certain that children and persons unfamiliar with firearms cannot gain access to firearms, ammunition, or components.

4. BE SURE THE BARREL IS CLEAR OF OBSTRUCTIONS BEFORE SHOOTING.

Even a bit of mud, snow or excess lubricating oil or grease in the bore may cause the barrel to bulge, or even burst on firing, and can cause injury to the shooter and bystanders. Be sure that you are using ammunition of the proper caliber and loading for the gun you are using. If the report or recoil on firing seems weak, or doesn't seem quite right, **CEASE FIRING IMMEDIATELY**, unload your firearm, and check to be sure that no obstruction has become lodged in the barrel. Never try to shoot an obstruction out!





5. BE SURE OF YOUR TARGET BEFORE YOU SHOOT.

Don't shoot unless you know exactly where your bullet is going to strike. Be sure of the bullet stop behind your target, even when dry-firing with an unloaded gun. If you are in the field hunting, do not fire at a movement or noise. Take the time to be absolutely certain of your target before you pull the trigger.

6. WEAR SHOOTING GLASSES AND HEARING PROTECTORS WHEN YOU SHOOT.

All shooters should wear protective shooting glasses and adequate hearing protection when shooting. Exposure to shooting noise can damage hearing, and adequate eye protection when shooting is essential.



7. NEVER CLIMB A TREE OR FENCE WITH A LOADED FIREARM.

Put the firearm down carefully before climbing a fence, and unload it before climbing or descending a tree or jumping over a ditch or other obstruction. Never pull or push a loaded firearm toward yourself or another person. When in doubt, or whenever you are about to do anything awkward, unload your gun!

8. DON'T SHOOT AT A HARD SURFACE, OR AT WATER.

Bullets can glance off many surfaces like rocks or the surface of water and travel in unpredictable directions with considerable velocity.



9. NEVER TRANSPORT A LOADED FIREARM.

Firearms should always be unloaded before being moved or placed in a vehicle. A suitable carrying case or scabbard should be used to carry an unloaded firearm to and from the shooting area.

10. AVOID ALCOHOLIC BEVERAGES WHEN SHOOTING.

Don't drink until the day's shooting is over. Handling firearms while under the influence of alcohol in any form, or medications that could affect your judgement or coordination, constitutes a criminal disregard for the safety of others.



A BRIEF ACCOUNT OF AN EXTRAORDINARY ACHIEVEMENT: RUGER FIREARMS

Sturm, Ruger & Company, Inc., had its beginning in a small machine shop occupying a rented frame building in Southport, Connecticut. In January, 1949, with an initial investment of only \$50,000 and an idea, William B. Ruger and Alexander M. Sturm started production of a 22 caliber autoloading pistol—a design which was so successful that it became the cornerstone upon which one of the most comprehensive lines of sporting firearms ever made in America was established. After Alex Sturm's death in 1951, William B. Ruger continued to direct the Company until his death in 2002. William B. Ruger, Jr. continued to provide guidance, which helped make this Company a sound and successful enterprise, until his retirement in 2006.

Sturm, Ruger & Company, in this relatively short time, has established itself as a leading small arms design organization, developing a unique and broad line of fine quality sporting, military and police firearms to become one of the world's most famous producers of revolvers, pistols, rifles and shotguns. Since 1949 Ruger craftsmen have built many millions of firearms.

During its five decades of growth and progress under the leadership of William B. Ruger, the Company developed a business philosophy and implemented policies which represent a constructive influence in the life of modern America. From the beginning, Sturm, Ruger & Company played a positive role in conservation efforts and has supported the interests of shooters through such groups as the National Rifle Association, National Shooting Sports Foundation, and many regional sportsmen's organizations.

The Company has always endeavored to market its firearms for constructive and recreational purposes, to emphasize the traditional aspects of shooting, to render meaningful public services and to encourage shooters in constructive, responsible, and safe participation in the shooting sports. Its motto, "Arms Makers For Responsible Citizens," exemplifies this Company philosophy.

Today, Sturm, Ruger & Company is particularly mindful of those elements which have contributed to the creation of its success, and extends heartfelt thanks to its many loyal employees and customers.

A current catalog of Ruger firearms is available free upon request to
Sturm, Ruger & Co., Inc., Southport, CT 06890

WHY NO WARRANTY CARD HAS BEEN PACKED WITH THIS NEW RUGER FIREARM

The Magnuson-Moss Act (Public Law 93-637) does not require any seller or manufacturer of a consumer product to give a written warranty. It does provide that if a written warranty is given, it must be designated as "limited" or as "full" and sets minimum standards for a "full" warranty. Sturm, Ruger & Company, Inc. has elected not to provide any written warranty, either "limited" or "full", rather than to attempt to comply with the provisions of the Magnuson-Moss Act and the regulations issued thereunder. There are certain implied warranties under state law with respect to sales of consumer goods. As the extent and interpretation of these implied warranties varies from state to state, you should refer to your state statutes. Sturm, Ruger & Company wishes to assure its customers of its continued interest in providing service to owners of Ruger firearms.



STURM, RUGER & Company, Inc.
Southport, Connecticut 06890 U.S.A.

www.ruger.com

Arms Makers For Responsible Citizens®

**A COPY OF THE INSTRUCTION MANUAL FOR ANY RUGER
FIREARM IS AVAILABLE FROM THE FACTORY FREE ON REQUEST, OR IT MAY
BE DOWNLOADED FROM OUR WEBSITE AT WWW.RUGER.COM.
THESE INSTRUCTION MANUALS CONTAIN IMPORTANT
WARNINGS WHICH MUST BE UNDERSTOOD
BEFORE USING THESE FIREARMS.**

"Ruger 10/17," "22/45," "Model 96," "P90," "P91," "P93," "P94," "P95," "P97," "Ruger P345," "P345D," "Mark III," "P345PR," and "Super Redhawk Alaskan" are RUGER TRADEMARKS. "RUGER," THE STURM, RUGER LOGO, "AC-556," "Arms Makers For Responsible Citizens," "10/22," "All-Weather," "Bearcat," "Bisley," "Blackhawk," "Gold Label," "GP100," "Hawkeye," "M77," "Mini Thirty," "Mini-14," "Old Army," "P85," "Redhawk," "Ruger Titanium," "Ruger 77/17," "Ruger 77/22," "Ruger 77/44," "Ruger 77/50," "Ruger SP101," "Ruger Vaquero," "Security-Six," "Service-Six," "Single Six," "Speed-Six," the "SR" Design and "Target Grey" are REGISTERED U.S. TRADEMARKS. "DEERFIELD" is a registered trademark of Blount, Inc.