

# INSTRUCTION MANUAL FOR

Aluminum  
Polymer  
Stainless



CALIBERS  
.38 Special &  
.38 Special + P

## **RUGER® LCR™** **DOUBLE-ACTION REVOLVER**



**READ THE INSTRUCTIONS AND  
WARNINGS IN THIS MANUAL CAREFULLY  
BEFORE USING THIS FIREARM**

**For Product Service on This Model Please Call:  
(603) 865-2442 (See p. 23)**

THIS INSTRUCTION MANUAL SHOULD ALWAYS ACCOMPANY THIS FIREARM AND BE  
TRANSFERRED WITH IT UPON CHANGE OF OWNERSHIP, OR WHEN THE FIREARM IS LOANED OR  
PRESENTED TO ANOTHER PERSON.

## State-By-State Warnings

Certain states require by law that their own specified warning notices in larger-than-normal type be conspicuously included by the manufacturer, distributor, or retail dealer with firearms sold in that state. Sturm, Ruger sells its products in compliance with applicable laws and regulations. Because our products may be sold in these states, we include the following:

### California:

#### **⚠ WARNING**

“Children are attracted to and can operate firearms that can cause severe injuries or death. Prevent child access by always keeping guns locked away and unloaded when not in use. If you keep a loaded firearm where a child obtains and improperly uses it, you may be fined or sent to prison.”

#### **⚠ ADVERTENCIA**

“A los niños los atraen las armas de fuego y las pueden hacer funcionar. Ellos pueden causarse lesiones graves y la muerte. Evite que los niños tengan acceso a las armas de fuego guardándolas siempre con llave y descargadas cuando no las esté utilizando. Si usted tiene un arma de fuego cargada en un lugar en que un niño tiene acceso a ella y la usa indebidamente, le pueden dar una multa o enviarlo a la cárcel.”

### Connecticut:

“UNLAWFUL STORAGE OF A LOADED FIREARM MAY RESULT IN IMPRISONMENT OR FINE.”

### Florida:

“IT IS UNLAWFUL, AND PUNISHABLE BY IMPRISONMENT AND FINE, FOR ANY ADULT TO STORE OR LEAVE A FIREARM IN ANY PLACE WITHIN THE REACH OR EASY ACCESS OF A MINOR UNDER 18 YEARS OF AGE OR TO KNOWINGLY SELL OR OTHERWISE TRANSFER OWNERSHIP OR POSSESSION OF A FIREARM TO A MINOR OR A PERSON OF UNSOUND MIND.”

## **Maine:**

“ENDANGERING THE WELFARE OF A CHILD IS A CRIME. IF YOU LEAVE A FIREARM AND AMMUNITION WITHIN EASY ACCESS OF A CHILD, YOU MAY BE SUBJECT TO FINE, IMPRISONMENT OR BOTH. KEEP FIREARMS AND AMMUNITION SEPARATE. KEEP FIREARMS AND AMMUNITION LOCKED UP. USE TRIGGER LOCKS.”

## **Maryland:**

“WARNING: Children can operate firearms which may cause death or serious injury. It is a crime to store or leave a loaded firearm in any location where an individual knew or should have known that an unsupervised minor would gain access to the firearm. Store your firearm responsibly!”

## **Massachusetts:**

“WARNING FROM THE MASSACHUSETTS ATTORNEY GENERAL: This handgun is not equipped with a device that fully blocks use by unauthorized users. More than 200,000 firearms like this one are stolen from their owners every year in the United States. In addition, there are more than a thousand suicides each year by younger children and teenagers who get access to firearms. Hundreds more die from accidental discharge. It is likely that many more children sustain serious wounds, or inflict such wounds accidentally on others. In order to limit the chance of such misuse, it is imperative that you keep this weapon locked in a secure place and take other steps necessary to limit the possibility of theft or accident. Failure to take reasonable preventive steps may result in innocent lives being lost, and in some circumstances may result in your liability for these deaths.”

“IT IS UNLAWFUL TO STORE OR KEEP A FIREARM, RIFLE, SHOTGUN OR MACHINE GUN IN ANY PLACE UNLESS THAT WEAPON IS EQUIPPED WITH A TAMPER-RESISTANT SAFETY DEVICE OR IS STORED OR KEPT IN A SECURELY LOCKED CONTAINER.”

**New Jersey:**

“IT IS A CRIMINAL OFFENSE TO LEAVE A LOADED FIREARM WITHIN EASY ACCESS OF A MINOR.”

**New York City:**

“THE USE OF A LOCKING DEVICE OR SAFETY LOCK IS ONLY ONE ASPECT OF RESPONSIBLE FIREARM STORAGE. FOR INCREASED SAFETY, FIREARMS SHOULD BE STORED UNLOADED AND LOCKED IN A LOCATION THAT IS BOTH SEPARATE FROM THEIR AMMUNITION AND INACCESSIBLE TO CHILDREN AND OTHER UNAUTHORIZED PERSONS.”

**North Carolina:**

“IT IS UNLAWFUL TO STORE OR LEAVE A FIREARM THAT CAN BE DISCHARGED IN A MANNER THAT A REASONABLE PERSON SHOULD KNOW IS ACCESSIBLE TO A MINOR.”

**Texas:**

“IT IS UNLAWFUL TO STORE, TRANSPORT, OR ABANDON AN UNSECURED FIREARM IN A PLACE WHERE CHILDREN ARE LIKELY TO BE AND CAN OBTAIN ACCESS TO THE FIREARM.”

**Wisconsin:**

“IF YOU LEAVE A LOADED FIREARM WITHIN THE REACH OR EASY ACCESS OF A CHILD YOU MAY BE FINED OR IMPRISONED OR BOTH IF THE CHILD IMPROPERLY DISCHARGES, POSSESSES, OR EXHIBITS THE FIREARM.”

\* \* \* \* \*

Please check with your licensed retailer or state police for additional warnings which may be required by local law or regulation. Such regulations change constantly, and local authorities are in the best position to advise you on such legal matters.

## WHY ARE WE INCLUDING A FIRED CARTRIDGE CASE WITH EVERY RUGER PISTOL AND REVOLVER?

Certain states and jurisdictions now require that all newly manufactured pistols and revolvers must be accompanied by a cartridge case, which has been test fired from that gun at the factory. The case must be placed in a sealed container bearing certain information concerning this test cartridge.

At the time of retail sale in those jurisdictions, firearms dealers must forward such test cartridge to a designated destination such as their State Police Laboratory. As independent Ruger Distributors have nationwide markets without territorial restrictions, we have decided to include a fired cartridge case with all new Ruger pistols and revolvers, to minimize the possibility of inadvertent non-compliance with these laws.

Retail customers located in other states, where laws or regulations do not require the dealer to so act, may be assured that the fired cartridge case they receive with the firearm at the time of retail purchase is proof that your new Ruger firearm has undergone our normal test firing procedures during manufacture.

## LOCKING DEVICE INSTALLATION INSTRUCTIONS



### WARNING – USE OF LOCKING DEVICES



- Always keep your firearm pointed in a safe direction, including when you are installing or removing your locking device.
- Always verify that your firearm is completely **unloaded** before installing your locking device.
- Do **not** install locking devices in the trigger guard; always keep your fingers and locking device outside the trigger guard during device installation and removal.
- Store firearms, ammunition and keys separately and securely, away from children and careless adults; do **not** store your firearm with the keys in the locking device.
- Do not attempt to work the action of your firearm with the locking device in place; this may damage your firearm.
- While locking devices are an important aid to security measures, they are not a substitute for safe firearm handling and proper storage. Remember that any mechanical device can be bypassed with enough time, knowledge, determination and equipment.

**LOCKING DEVICES MUST BE USED  
SAFELY AND RESPONSIBLY**

**Use the Correct Lock:** While the basic locking device is substantially similar for all Ruger® firearms, due to the different shapes of the many Ruger® firearms, some firearms utilize different locking devices. The lock with the 2 1/2" shackle (with the vinyl coating) is for use with the **RUGER® LCR™** revolvers. **It is very important to use the correct locking device!**

**To Install the Factory-Supplied Locking Device:**

1. **Keep the muzzle pointed in a safe direction and your fingers outside the trigger guard at all times!**
2. **Be sure the firearm is completely unloaded and contains no cartridges or cartridge cases!**
3. Completely swing out the cylinder.
4. Apply the lock to the cylinder as shown in Figure 1.
5. Close the lock by pressing the shackle into the body of the lock (the part that receives the key) as tightly together as possible. The lock has bumpers and the shackle is coated with a non-marring material that will not harm the metal finish of your firearm; be careful not to dent the frame of the revolver.
6. Once the lock is securely closed, remove the key and pull firmly on the lock to test the connection and be sure it is locked. **Do not leave or store your firearm with the key in the lock!** Store your locked unloaded firearm and the key in secure, separate locations, away from ammunition, children, or unauthorized adults.



*Correct Installation of Lock For  
Ruger® LCR™ Revolvers Only*

## OPERATION OF INTERNAL LOCK

Never rely upon any safety mechanism or mechanical device to justify unsafe or careless handling of a firearm. When securing your revolver or to prevent unauthorized access, you should rely first and foremost on the key-operated locking device supplied with your pistol. (See Page 6.) However, for added security, and to comply with certain state and local laws, your **RUGER® LCR™** also is equipped with a manually operated internal lock. When actuated, this internal lock will secure the internal hammer in the uncocked position.

**Before activating the internal lock on your revolver, first visually inspect the chambers to verify that they are empty and do not contain any cartridges.**

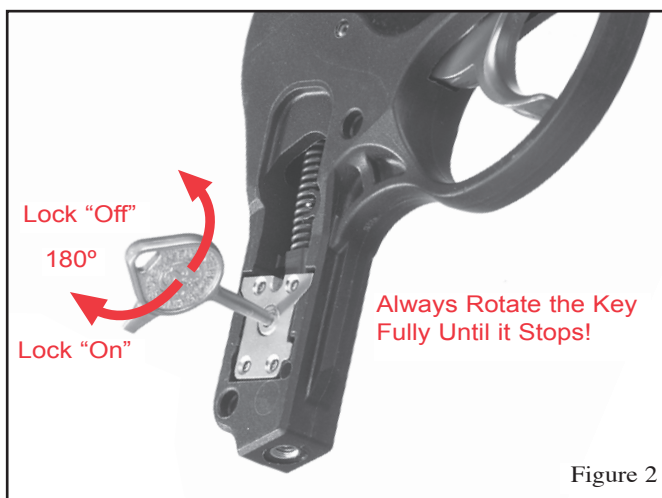
To activate the internal lock, make sure that the revolver is pointed in a safe direction. Using a small screwdriver, remove the screw securing the grip and remove grip to expose the internal lock. (See “Nomenclature,” p. 11.) Insert the key into the keyway and rotate the key fully clockwise (about 180° from the fully unlocked position) until it stops. (See Figure 2.) Remove the key and verify that the internal lock is engaged by attempting to pull the trigger. If the internal lock is engaged, you will not be able to pull the trigger.

To deactivate the internal lock, place the internal lock key into the internal lock keyway (see “Nomenclature,” p. 11) and rotate the key counter-clockwise (about 180° from the fully locked position) until it stops. (See Figure 2.)

Be sure to store the internal lock key in a secure location, away from children and careless adults. Do not store your firearm with the key in the internal lock keyway.

**Never lock a loaded gun – always unload the gun before locking.**

## OPERATION OF INTERNAL LOCK



**REMOVE KEY AFTER LOCKING OR UNLOCKING**

**FIREARMS SAFETY-YOUR RESPONSIBILITY**  
**SAFETY MUST BE THE FIRST AND CONSTANT**  
**CONSIDERATION OF EVERY PERSON WHO HANDLES**  
**FIREARMS AND AMMUNITION.**

This Instruction Manual is designed to assist you in learning how to use and care for your **RUGER® LCR™** properly. Please contact us if you have any questions about it.

Only when you are certain you fully understand the Manual and can properly carry out its instructions should you practice loading, unloading, etc. with live ammunition. If you have any doubts about your ability to handle or use a particular type of gun safely, then you should seek supervised instruction. Such personalized instruction is often available from gun dealers, gun clubs or police departments. If none of these sources can help you, write to the National Rifle Association, 11250 Waples Mill Road, Fairfax, VA 22030-7400. They will put you in touch with a source of personalized instruction.

The person possessing a gun has a full-time job. You cannot guess; you cannot forget. You must know how to use your firearm safely. **Do not use any firearm without having a complete understanding of its particular characteristics and safe use.** Remember: There is no such thing as a foolproof gun.

## TABLE OF CONTENTS

	Page
State-By-State Warnings .....	3
Locking Device Installation Instructions .....	6
Operation of Internal Lock .....	8
General Information and Mechanical Characteristics .....	10
Nomenclature .....	11
Ammunition .....	12
Ammunition Check .....	12
Handling .....	13
Dry-Firing .....	13
Operation of “Double-Action Only” Revolvers .....	14
To Load and Fire .....	15
To Unload or Eject Cartridge Cases .....	16
Disassembly .....	17
Reassembly .....	17
Care and Cleaning .....	18
Storage .....	21
Sights .....	22
Service and Parts Policy .....	23
Shipping Firearms for Repair .....	23
Ordering Parts .....	24
Parts Lists .....	26, 28, 30, & 32
Parts Drawings .....	27, 29, 31, & 33
<b>The Basic Rules of Safe Firearms Handling .....</b>	<b>34</b>
Warranty Information .....	40

“Ruger” and the Sturm, Ruger logo are registered U.S. trademarks.





## WARNINGS OF GREAT IMPORTANCE ARE FOUND ON THE FOLLOWING PAGES:

Locking Devices	6	Disassembly	17
Alterations	10	Lubrication	19
Lead Exposure	12	Storage	21
Ammunition	13	Shipping Firearms	23
Double-Action Firing	14	Parts Purchasers	24
Firing	15	Modifications	25

**OTHER CAUTIONS AND WARNINGS APPEAR THROUGHOUT THE MANUAL.**

**FIREARMS ARE DANGEROUS WEAPONS—  
READ THE INSTRUCTIONS AND WARNINGS IN  
THIS MANUAL THOROUGHLY AND CAREFULLY  
BEFORE USING.**



## WARNING—ALTERATIONS



This product was designed to function properly in its original condition. Alterations can make it unsafe. Do not alter any part or add or substitute parts or accessories not made by Sturm, Ruger & Co. Inc.

**DO NOT ALTER ANY GUN**

## GENERAL INFORMATION AND MECHANICAL CHARACTERISTICS

The **RUGER® LCR™** is a double-action revolver that incorporates many features found in the famous **RUGER® SP101®, GP100®** and **SUPER REDHAWK®** revolvers, as well as several new innovative features. The unique fire control housing (patent pending) incorporates the same grip extension as the SP101, GP100, and Super Redhawk revolvers. The craned cylinder assembly of the LCR locks into the frame in the rear of the cylinder and at the front via the ejector extension.

The internal parts are installed through the top of the fire control housing or through the bottom in back of the frame. Therefore, no side plate is needed.

The **RUGER® LCR™** has a transfer bar which is connected directly to the trigger. The transfer bar safety system provides that the hammer blow can be transmitted to the firing pin only when the trigger is pulled all the way to the rear. This is a positive internal safety feature.

## NOMENCLATURE

Figure 3

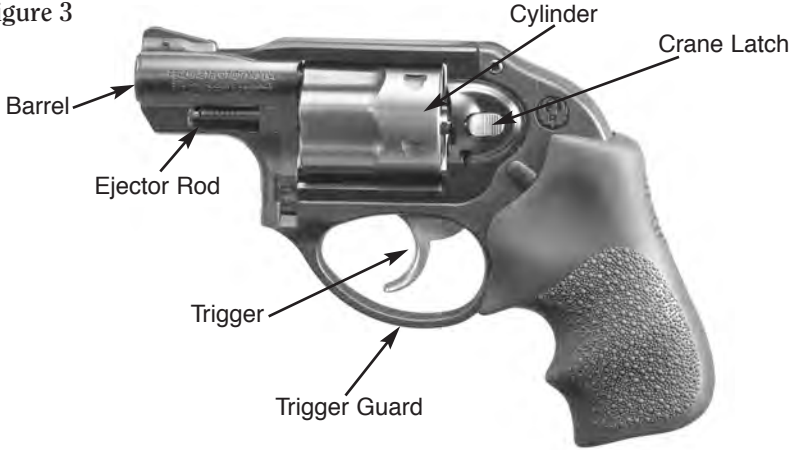
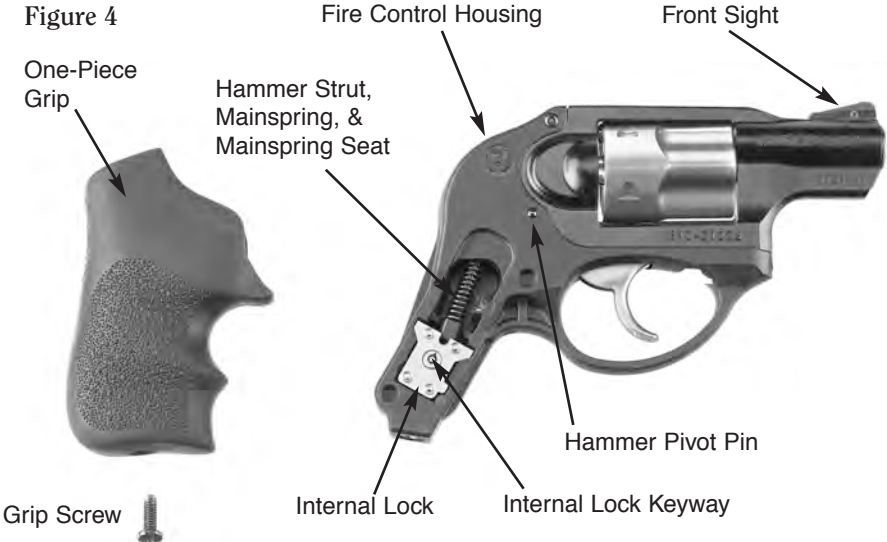


Figure 4



Despite their many highly desirable features, Ruger revolvers—as with all firearms—must at all times be handled with strict attention to correct safety practices, and be inspected frequently to assure the gun is working properly.



## WARNING – LEAD EXPOSURE



Discharging firearms in poorly ventilated areas, cleaning firearms, or handling ammunition may result in exposure to lead and other substances known to the state of California to cause birth defects, reproductive harm, and other serious physical injury. Have adequate ventilation at all times. Wash hands thoroughly after exposure.

**SHOOTING OR CLEANING GUNS  
MAY EXPOSE YOU TO LEAD**

## AMMUNITION

The **LCR™** is designed specifically for modern higher-powered factory loaded cartridges, including .38 Special and .38 Special +P ammunition. **RUGER® LCR™** revolvers are designed for use with cartridges of the correct caliber which are manufactured in accordance with the U.S. Industry Standards. Be certain to use proper cartridges of the correct caliber. See page 18 (“Care and Cleaning”) for important information on chamber cleaning.



## AMMUNITION CHECK

Due to the light weight of the **LCR™**, inertial forces to ammunition during firing could possibly unseat a bullet from its crimp in the cartridge casing. The **LCR™** has been tested with a variety of popular ammunition manufactured to SAAMI industry standards and has not demonstrated any tendency to unseat bullets. However, before placing the LCR into service, it is recommended that you:

1. At a range or other suitable location, fully load your revolver with the ammunition you wish to test in accordance with the safety and loading instructions in this manual.
2. Fire four of the five rounds in accordance with the safety and firing instructions in this manual.
3. Unload the four fired cases and the unfired round in accordance with the safety and unloading instructions in this manual. Closely inspect the unfired round for signs that the bullet has moved forward out of the case. For jacketed and lead bullets with a cannelure or crimp groove, check to see if the bullet has moved forward enough so that the case mouth is no longer located in the bullet cannelure or crimp groove. For lead bullets without a cannelure or crimp groove, there should be no detectable

movement of the bullet. If the bullet has moved as just described, do not use that brand of tested ammunition, and repeat this test with another brand until one is found that the bullet does not unseat during this test.

4. After the test is completed, unload and store the revolver in accordance with the safety and storage instructions in this manual.

 <b>WARNING – AMMUNITION</b>	
	Death, serious injury, and damage can result from the use of wrong ammunition, bore obstructions, powder overloads, or incorrect cartridge components. <u>Always</u> wear shooting glasses and hearing protectors.
	<b>IMPROPER AMMUNITION DESTROYS GUNS</b>

## AMMUNITION (CARTRIDGES) NOTICE

WE SPECIFICALLY DISCLAIM RESPONSIBILITY FOR ANY DAMAGE OR INJURY WHATSOEVER OCCURRING IN CONNECTION WITH, OR AS THE RESULT OF, THE USE IN THE LCR OF FAULTY, OR NON-STANDARD, OR “RE-MANUFACTURED”, OR HAND LOADED (RELOADED) AMMUNITION, OR OF CARTRIDGES OTHER THAN THOSE FOR WHICH THE FIREARM WAS ORIGINALLY CHAMBERED.

## HANDLING

**CARRYING:** The **LCR™** can be carried with all chambers loaded. When the hammer and trigger are fully forward, the transfer-bar is lowered out of its firing position and the hammer rests directly on the frame.

## DRY FIRING

“Dry Firing” is pulling the trigger of an unloaded revolver for practice and familiarity. The **LCR™** can be dry-fired without damage to the firing pin or internal components.




**Be sure that the revolver is unloaded before handling.** Be sure of your target or back stop, even when dry firing for practice. Do not dry fire the revolver with the plastic ‘safety disc’ on the cylinder.

## OPERATION OF “DOUBLE-ACTION ONLY” REVOLVERS

The model you have selected is equipped with a special trigger mechanism that permits only “double-action” firing. The hammer is hidden within the frame and cannot be manually cocked. The revolver can only be fired by a relatively long (“double-action”) pull of the trigger, which draws the internal hammer rearward and then releases it to fire every shot.

The mechanism of the gun will not permit another shot to be fired unless the trigger is first fully released and then pulled again.

The revolver has an internal transfer bar that will not allow the hammer to contact the firing pin and fire the gun until the operator completely pulls the trigger.

 <b>CAUTION: DOUBLE-ACTION FIRING</b>	
<p>1.</p> 	<p>When firing this double-action revolver, be sure that the trigger is released completely to its fully forward position before pulling the trigger for a subsequent shot. If the trigger finger is allowed to interfere with the full recovery of the trigger (preventing it from moving through about the last one-eighth inch of its forward movement), the trigger cannot be pulled again for another discharge. The trigger must be <b>fully</b> released after each shot is fired. This characteristic is found in all modern double-action revolvers and “double-action only” pistols.</p>
<p>2.</p> 	
<p><b>FULLY RELEASE TRIGGER BETWEEN SHOTS</b></p>	

# TO LOAD AND FIRE


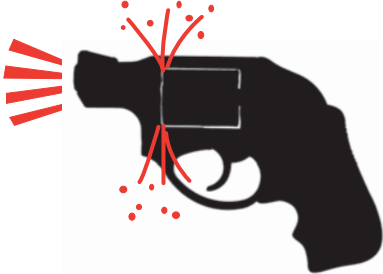

Be sure the revolver is pointed in a safe direction while loading.

1. Press the crane latch and guide cylinder out of frame to the left to its loading position (See Figure 5, below).



Figure 5  
LOADING THE  
REVOLVER.

2. Insert cartridges and gently close cylinder, making sure it is securely latched. Do not “flip” the cylinder open or shut.
3. **DO NOT TOUCH THE TRIGGER UNTIL YOU ARE READY TO FIRE.**
4. **DO NOT HOLD THE REVOLVER BY THE BARREL OR CYLINDER WHEN FIRING.**

 <b>WARNING—FIRING</b>	
	<p>When firing the <b>LCR</b>, be sure all persons are a safe distance to the rear of the shooter. When fired, all revolvers discharge hot gas and particles of lead, powder grains, or lubricant through the clearance gap between the cylinder and the rear of the barrel. These high-speed discharges can injure a person who is standing too close to the revolver.</p> <p>When firing the <b>LCR</b> (or any revolver), always be certain that nothing – including your hands – is in the path of the hot gas and particles which are discharged from the front and sides of the cylinder.</p>
	<p>When shooting, adequate eye protection is essential. Shooters and bystanders must wear shooting glasses. Hearing protection must also be worn. Exposure to shooting noise can damage hearing.</p>
<b>WEAR EYE AND EAR PROTECTION</b>	<b>HOT GASES EXIT BARREL/CYLINDER GAP</b>

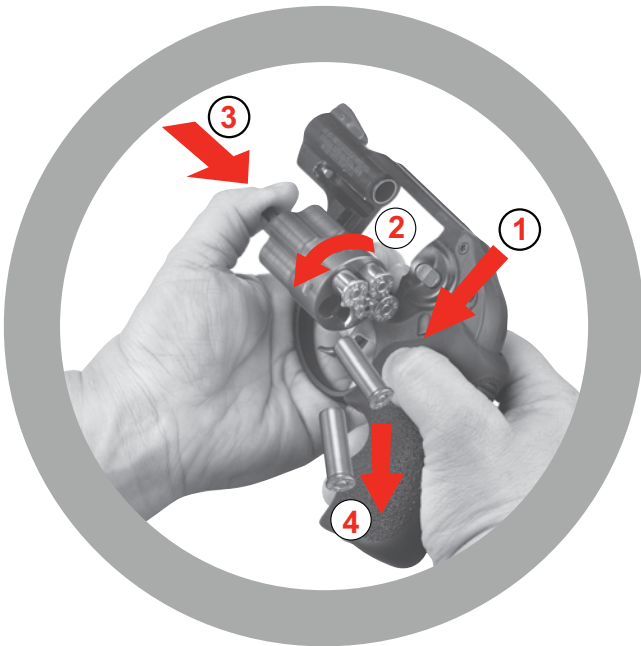
# TO UNLOAD OR EJECT CARTRIDGE CASES

**KEEP THE REVOLVER POINTED IN A SAFE DIRECTION!**

1. Press crane latch. Guide cylinder out left of frame as for loading. The revolver now cannot be fired.
2. Push head of ejector rod smartly toward rear of cylinder until it stops. This action will extract cartridges or fired cases. Do not eject live cartridges onto any surface where a primer might strike a solid object and discharge the cartridge.
3. Check to be sure all chambers are empty.

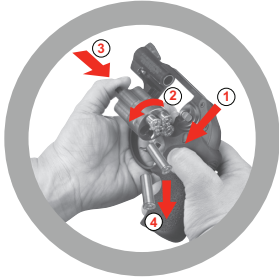
**NOTE:** When ejecting fired cartridge cases, position the revolver at a high angle so the cases will come fully out of the chambers and not slip under the ejector. This high angle positioning is not necessary when ejecting unfired cartridges.

## CORRECT UNLOADING SEQUENCE





## WARNING – DISASSEMBLY



Always unload a firearm before cleaning, lubrication, disassembly or assembly.  
Never remove or install a loaded cylinder – it can fire if dropped or struck.

**UNLOAD BEFORE CLEANING**

## DISASSEMBLY

Read instructions before disassembling a gun.

1. BE CERTAIN THE REVOLVER IS UNLOADED BEFORE DISASSEMBLY.



Figure 6

2. Using a properly fitting screwdriver (or screwdriver end of supplied lock key), remove the grip retaining screw from bottom of grip. Slide the grip down off fire control housing (see Figure 6).

3. Further disassembly is not required for normal cleaning purposes. Any further disassembly should only be undertaken by trained factory service personnel.

## REASSEMBLY

**AGAIN, BE CERTAIN REVOLVER IS UNLOADED!**

Before starting reassembly, be certain that all components and the inside of the frame are thoroughly clean. Read instructions before re-assembling the firearm.

1. Slip the grip over the grip post. Insert the grip screw into bottom of the grip and tighten.



## CARE AND CLEANING

**ALWAYS BE CERTAIN THE REVOLVER IS UNLOADED BEFORE CLEANING.**

**General:** All the components of the **LCR™** were designed with corrosion resistance and ease of cleaning in mind. The aluminum frame of the **RUGER® LCR™** has been coated with a synergistic coating. This revolutionary new coating gives a very hard, very slick and abrasion-resistant surface to the aluminum, as well as excellent resistance to corrosion. The aluminum frame meets or exceeds MIL-SPEC requirements (MIL-A-8625F) for corrosion and abrasion resistance of aluminum firearms components. The barrel, cylinder, crane, and numerous other components are blackened or tumbled stainless steel. Other components like the hammer and trigger have been coated to increase their corrosion resistance and to improve their performance. The fire control housing is made of long-glass fiber reinforced Nylon, a material proven durable by decades of use in polymer-framed auto-loading pistols.

**External Cleaning:** Any standard commercial, polymer-safe gun cleaning solvent can be used to clean the exterior surface of your **RUGER® LCR™**. Care should be taken to avoid any harsh abrasives, as this could dull the finish of the frame over time.

To clean the barrel after firing, release and swing out the cylinder.



1. Clean the barrel from the muzzle end, taking care to avoid damaging the muzzle crown.
2. Using a cleaning rod and solvent-soaked cleaning patch, run the solvent-soaked patch through the bore several times in order to soak the bore with solvent.
3. Using a cleaning rod and a bronze wire bore brush of correct size, push the bore brush completely through the barrel several times.
4. After brushing the bore, swab the bore again with a solvent-soaked cleaning patch.
5. Now wipe the cleaning rod and swab the bore several times with clean patches until the barrel bore is clean.

To clean the chambers of the cylinder, follow the same steps used for cleaning the barrel. Repeat for each of the chambers on the cylinder. Also, clean the underside of the ejector (the “star”) and the area on the cylinder where the ejector seats. Failing to do this can allow powder residue to become trapped between the underside of the ejector and the cylinder and prevent the ejector from fully seating in the cylinder. This condition can cause hard closing of the cylinder and interfere with proper cylinder rotation.

If lead bullets are used extensively, it is possible that lead build-up may cause cylinder binding. It is recommended that extra care and attention be paid to cleaning the area where the cylinder and crane are joined and also pay close attention to cleaning the breech end of the barrel. To help prevent binding, one can lubricate the cylinder/crane gap with Break-Free® CLP or other lubricant that meets or exceeds MIL-L-63460, however this is not required for proper functioning.

Clean all other exterior surfaces of the frame, cylinder, crane, etc. with standard commercial, polymer-safe gun cleaning solvent and cloth. Wipe off all excess cleaner/solvent with a clean dry cloth. It is not necessary to leave an oil residue on the frame for storage.

**Internal Components:** Your **RUGER® LGR™** revolver is designed with special electroless nickel/PTFE (Teflon®) coatings on the trigger, hammer, and other internal components in order to minimize the need to clean and lubricate the components.

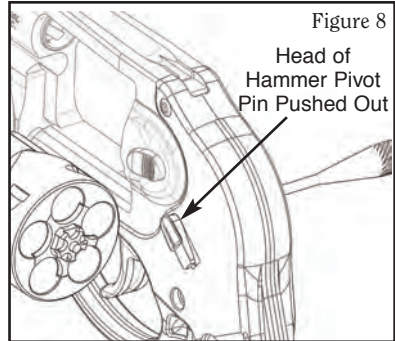
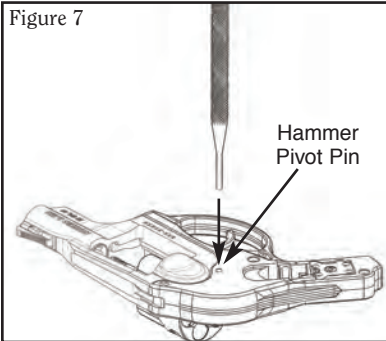
 <b>WARNING – LUBRICATION</b>	
	<p>Firing a revolver with oil, grease, or any other material even partially obstructing the bore may result in damage to the revolver and injury to the shooter and those nearby.</p> <p>Do not spray or apply lubricants directly on ammunition. If the powder charge of a cartridge is affected by the lubricant, it may not be ignited, but the energy from the primer may be sufficient to push the bullet into the bore where it may become lodged. Firing a subsequent bullet onto the obstructed bore may damage the revolver and cause injury to the shooter and those nearby. Use lubricants properly. You are responsible for the proper care and maintenance of your firearms.</p>
<b>IMPROPER LUBRICATION DESTROYS GUNS</b>	

**Lubricating Hammer and Hammer Pivot Pin:** It is recommended that the hammer and hammer pivot pin be lubricated approximately every 1,000 rounds of firing (live or dry fire). To lubricate the hammer and hammer pivot pin, perform the following steps:

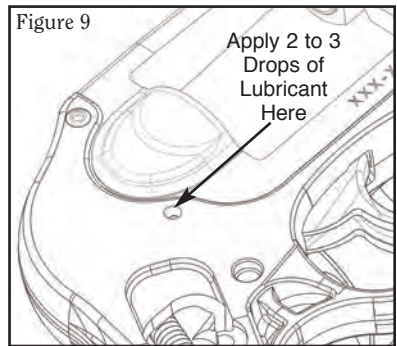
1. **Check to make sure gun is unloaded.**
2. Open cylinder.
3. Remove grip (see Disassembly section of this manual at page 17).
4. Orient gun so the shooter's right hand side of the gun is up.

- Using a small (1/8" or smaller) punch, gently push on hammer pivot pin until the pin is recessed about .10" deep (see Figure 7). The pin has been pushed deeply enough when the bottom of the head of the hammer pivot pin on the shooter's left hand side of the gun will just clear its pocket on the fire control housing (see Figure 8).

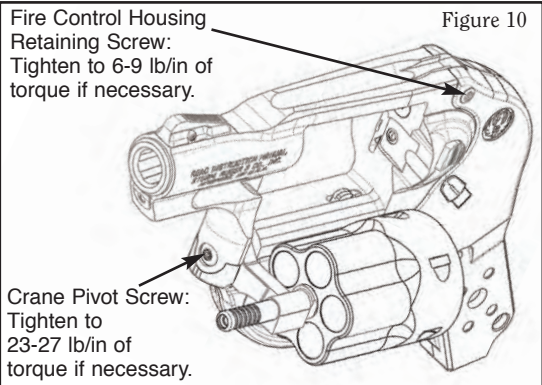
**CAUTION: DO NOT COMPLETELY REMOVE PIN OR YOUR REVOLVER WILL CEASE TO FUNCTION.**



- Apply 2 to 3 drops of any standard commercial, polymer-safe gun oil or standard commercial, polymer-safe cleaner-lubricant-protectant to the hammer pivot hole on the shooter's right hand side of the gun (see Figure 9). Allow oil to drain down around the hammer pivot pin and into the action. Rotating the hammer pivot pin using the exposed head on left hand side may facilitate this.



- Align the head of the hammer pivot pin with its pocket on the shooter's left hand side of the fire control housing and push head of hammer pivot pin back into its recess to fully seat the pin.



- Close empty cylinder.
- While pointing the gun in a safe direction, dry fire the gun 5-10 times to help work the lubricant into the action.
- Open the empty cylinder.
- Wipe down any excess oil around both sides of the hammer pivot.
- Check the crane pivot screw and fire control housing retaining screw to ensure correct tightness in accordance with Figure 10, above. Tighten these screws in accordance with Figure 10 as appropriate.

13. Replace grip (see Reassembly section of this manual at page 17).

Disassembly beyond the level indicated in the Disassembly Section of this manual should only be undertaken by trained factory service personnel.

**Frame Finish Touch-up:** The synergistic hard-coat treatment applied to your **LCR™** frame is designed to provide a hard, durable, wear and corrosion-resistant surface to the frame to allow many years of use. However, like any hard-coat anodize finish, the finish may chip if an impact occurs on corners, and a bright spot may occur. If this happens and you wish to restore a black finish to those areas, it is recommended that you use an aluminum blackening compound such as Birchwood Casey® Aluminum Black® touch up solution in order to restore the black finish to your **LCR™** frame. Follow the manufacturer's directions.

## STORAGE

**GUNS SHOULD NOT BE STORED LOADED!**



*Do not* keep your revolver in a leather, fabric or canvas holster when it is stored.

**USE THE LOCKING DEVICE SUPPLIED  
WITH THE REVOLVER TO RENDER IT  
INOPERATIVE FOR SAFE STORAGE.**

**(SEE PAGE 6)**

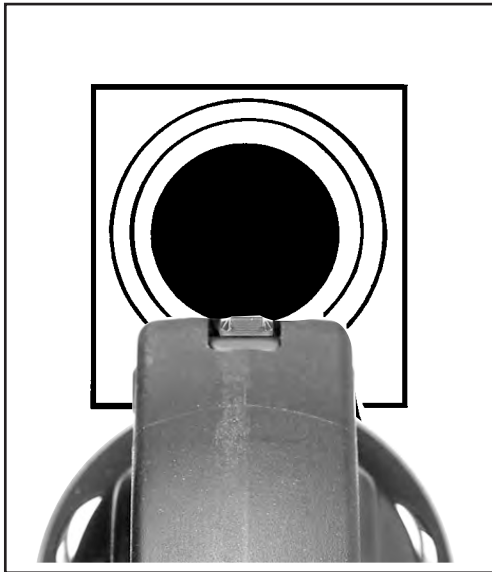
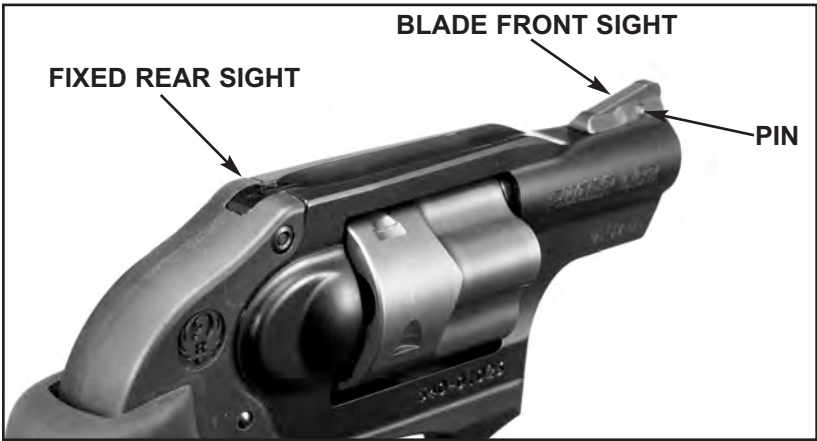
These materials attract moisture, even though the holster may appear to be perfectly dry.

Sturm, Ruger also offers gun safes for sale as a means to secure more than one firearm. Please call the Heritage Safe Company at 1-800-515-7233 for details and ordering information.

	
<h3>WARNING – STORAGE</h3>	
 <b>LOADED</b>	<p>Never place or store any firearm in such a manner that it may be dislodged. Firearms should always be stored securely and unloaded, away from children and careless adults. Use the locking device originally supplied with this firearm for storage.</p> <p>The use of a locking device or safety lock is only one aspect of responsible firearms storage. For increased safety, firearms should be stored unloaded and locked in a location that is both separate from their ammunition and inaccessible to children and any other unauthorized person.</p>
	<b>STORE SECURELY &amp; UNLOADED</b>

## SIGHTS

The **LCR™** .38 Special revolvers are provided with fixed sights. To change the front sight, drive out the pin in the barrel rib with a small punch and lift out sight blade.



### **Suggested sight picture**

Top of front sight even with top of rear sight.  
Front sight centered in notch of rear sight.  
Target bullseye centered on top of front sight.

## SERVICE AND PARTS POLICY

If you have any questions with regard to the performance of your **RUGER® LCR™** please write or call (603-865-2442) our Product Service Department in Newport, New Hampshire 03773, fully describing all circumstances and conditions involved. If you should return your revolver to the factory for repair, or order parts for it, please comply with the following suggestions for prompt service:



**WARNING—BEFORE SHIPPING ANY FIREARM, BE ABSOLUTELY CERTAIN THAT IT AND ITS CYLINDER ARE UNLOADED. DO NOT SHIP CARTRIDGES WITH A FIREARM.**

### SHIPPING FIREARMS FOR REPAIR

**RUGER® LCR™** revolvers returned to the factory for repair should be sent to: Sturm, Ruger & Company, Inc., Product Service Department, 411 Sunapee St., Newport, New Hampshire 03773. Telephone (603) 865-2442.

Guns should be sent prepaid. We will not accept collect shipments.



The Federal Gun Control Act, as well as the laws of most States and localities, do not prohibit an individual (who is not otherwise barred from purchasing or possessing a firearm) from shipping a firearm directly to the manufacturer for repair. However, before you ship your revolver to us, be certain that your State or locality does not have a law or regulation which will prohibit you from receiving the revolver from us after it has been repaired. If such receiving is prohibited, then please have a Federally Licensed firearms dealer ship the gun to us. If your revolver is sent to us by a dealer, it will be returned to that dealer after being repaired. If a handgun (pistol or revolver) is shipped by an individual who does not hold a Federal Firearms License, it must be shipped for overnight delivery via U.P.S., Federal Express or other, similar private overnight service.

NOTE: Firearms may not be shipped via U.S. Mail. Persons who do not hold a Federal Firearms License are prohibited by Federal law from shipping a handgun by Mail. Handguns mailed in violation of the law are impounded by the Post Office.

**DO NOT SEND GUN BOXES OR LITERATURE THAT YOU CONSIDER TO BE COLLECTOR'S ITEMS – THESE ARE INVARIABLY DAMAGED OR DESTROYED IN SHIPMENT.** Please do not include holster, grips, or other accessories with a firearm being shipped to the factory for service. Always insure your shipment.

Enclose a letter which includes your name, address, telephone number, serial number and model of the firearm. Describe in detail the trouble you have experienced with your firearm, or the work you wish to have done. Merely stating that the firearm “needs repair” is inadequate information.

All work performed is subject to a minimum labor charge and charges for shipping and handling. Custom gunsmithing service or nonstandard alterations are NOT AVAILABLE from Ruger Product Service Departments. Please contact the Product Service Department for pricing information.

	
<b>WARNING – PARTS PURCHASERS</b>	
	<p>It is the purchaser's responsibility to be absolutely certain that any parts ordered from the factory are correctly fitted and installed. Firearms are complicated mechanisms and <b>IMPROPER FITTING OF PARTS MAY RESULT IN A DANGEROUS MALFUNCTION, DAMAGE TO THE FIREARM, AND SERIOUS INJURY TO THE SHOOTER AND OTHER PERSONS.</b> The purchaser and installer of parts must accept full responsibility for the correct adjustment and functioning of the revolver after such installation.</p>
<b>PARTS MUST FIT CORRECTLY</b>	

## ORDERING PARTS

Please contact the New Hampshire Product Service Department for parts availability and current prices. All parts orders for the **RUGER® LGR™** should be sent to: Sturm, Ruger & Co., Inc., Product Service Department, 411 Sunapee Street, Newport, New Hampshire 03773, 603-865-2442. We cannot comply with open account or C.O.D. orders. Payment in full via credit card (Visa or MasterCard only), money order or certified bank check (no personal checks, please) is required before any service will be performed. Please provide your name as it appears on the credit card along with the expiration date of the card. All parts orders are subject to a minimum charge and charges for shipping and handling. Order parts by Part Name and Part Number and include the entire serial number of the firearm for which the parts are being ordered. There is a minimum labor charge plus a shipping and handling charge if the parts are factory fitted. All factory fitted parts are fit on an exchange basis only. We will not return the replaced parts. Please contact the Product Service Department for pricing information.

Barrels, cylinders, cylinder/crane assemblies and a number of other component parts must be fitted at the factory. Company policy is to proof-test and/or function fire all barrels after fitting to the frames in which they are to be used. This procedure ensures maximum protection to our customers. The special proof-test ammunition used in this testing is sold only to bonafide firearms manufacturers and is not available to gun shops, gunsmiths, or individuals.

Because the frame of the **RUGER® LCR™** revolver is a serial numbered component, it is defined as a “firearm” by Federal law and is not sold as a separate component.

\*Parts designated by an asterisk must be factory fitted. These parts are fitted on an exchange basis only. We will not return the replaced parts. We will not return any part that is broken, malfunctioning, badly worn or has been modified. See “Warning – Parts Purchasers,” p. 24.



**CAUTION: A gun containing modified, broken, malfunctioning, or badly worn parts should not be fired.**



# RUGER® LCR™

## PARTS LIST

Design, prices and specifications subject to change without notice.

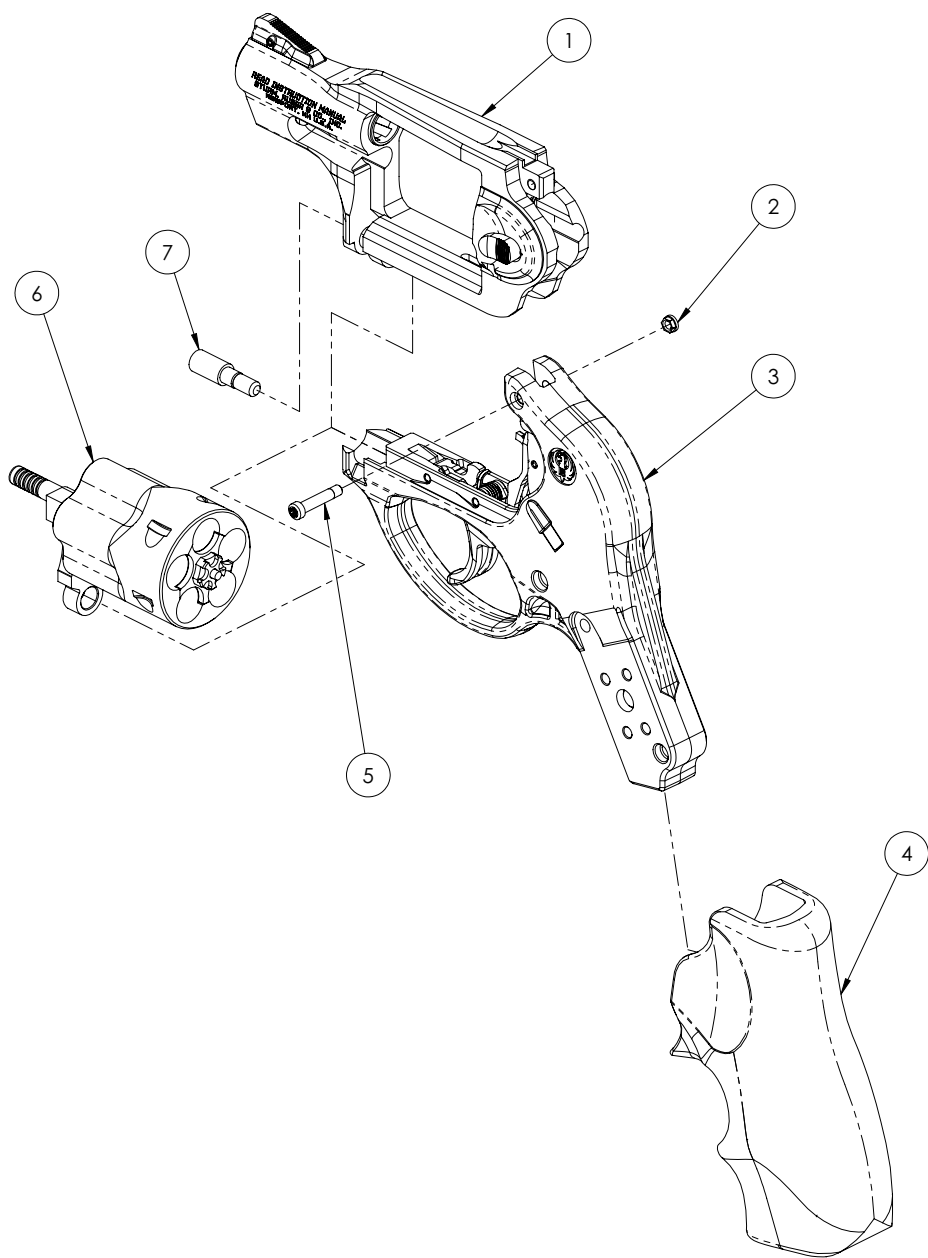
SPECIFY MODEL AND CALIBER WHEN ORDERING

(See Exploded View on Page 27)

Key No.	Part Name	Part No.	Model
1	Frame Sub-Assembly	LCR20201	LCR – Not Offered For Sale
2	Fire Control Housing Nut	KLCR07002	LCR
3	Fire Control Housing Sub-Assembly	LCR30300	LCR
4	Hogue® Grip, Includes Grip Screw	LCR01000	LCR
5	Fire Control Housing Screw	KLCR07001	LCR
6	Cylinder/Crane Assembly	KLCR30101	LCR
7	Crane Pivot Screw	KLCR04400	LCR

# RUGER® LCR™

## EXPLODED VIEW



# RUGER® LCR™ FRAME SUB-ASSEMBLY

## PARTS LIST

Design, prices and specifications subject to change without notice.

SPECIFY MODEL AND CALIBER WHEN ORDERING

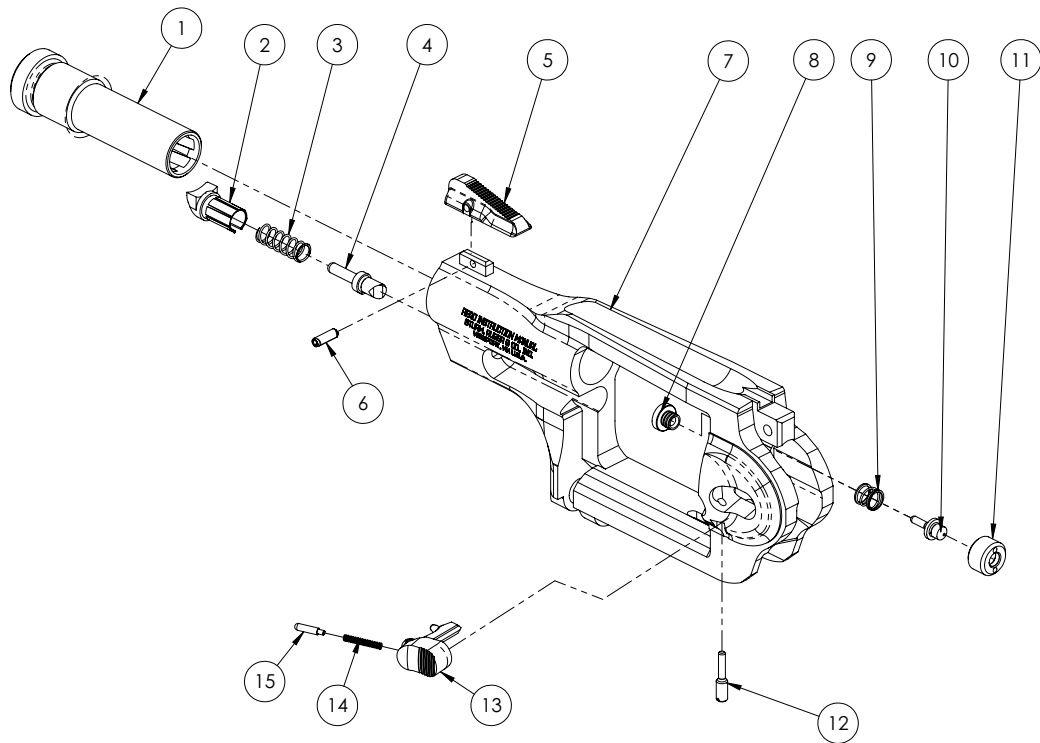
(See Exploded View on Page 29)

Key No.	Part Name	Part No.	Model
1	Barrel, .38 Special	KLCR00601	LCR
2	Front Latch Cap	KLCR00802	LCR
3	Front Latch Spring	LCR00804	LCR
4	Front Latch Pin	TI-LCR00803	LCR
5	Front Sight	LCR03600	LCR
6	Front Sight Cross Pin	LCR02600	LCR
7	Frame Sub-Assembly	LCR10201	LCR – Not Offered For Sale
* 8	Firing Pin Bushing	KLCR02000	LCR
9	Firing Pin Spring	LCR04800	LCR
10	Firing Pin	KLCR02100	LCR
11	Firing Pin Plug	KLCR06200	LCR
12	Button Retaining Screw	KLCR02700	LCR
13	Crane Release Button	KLCR00900	LCR
14	Release Button Plunger Spring	LCR05100	LCR
15	Release Button Plunger	LCR06100	LCR

\* PARTS SO MARKED MUST BE FACTORY FITTED

# RUGER® LCR™

## FRAME SUB-ASSEMBLY



# RUGER® LCR™ FIRE CONTROL HOUSING SUB-ASSEMBLY

## PARTS LIST

Design, prices and specifications subject to change without notice.

SPECIFY MODEL AND CALIBER WHEN ORDERING

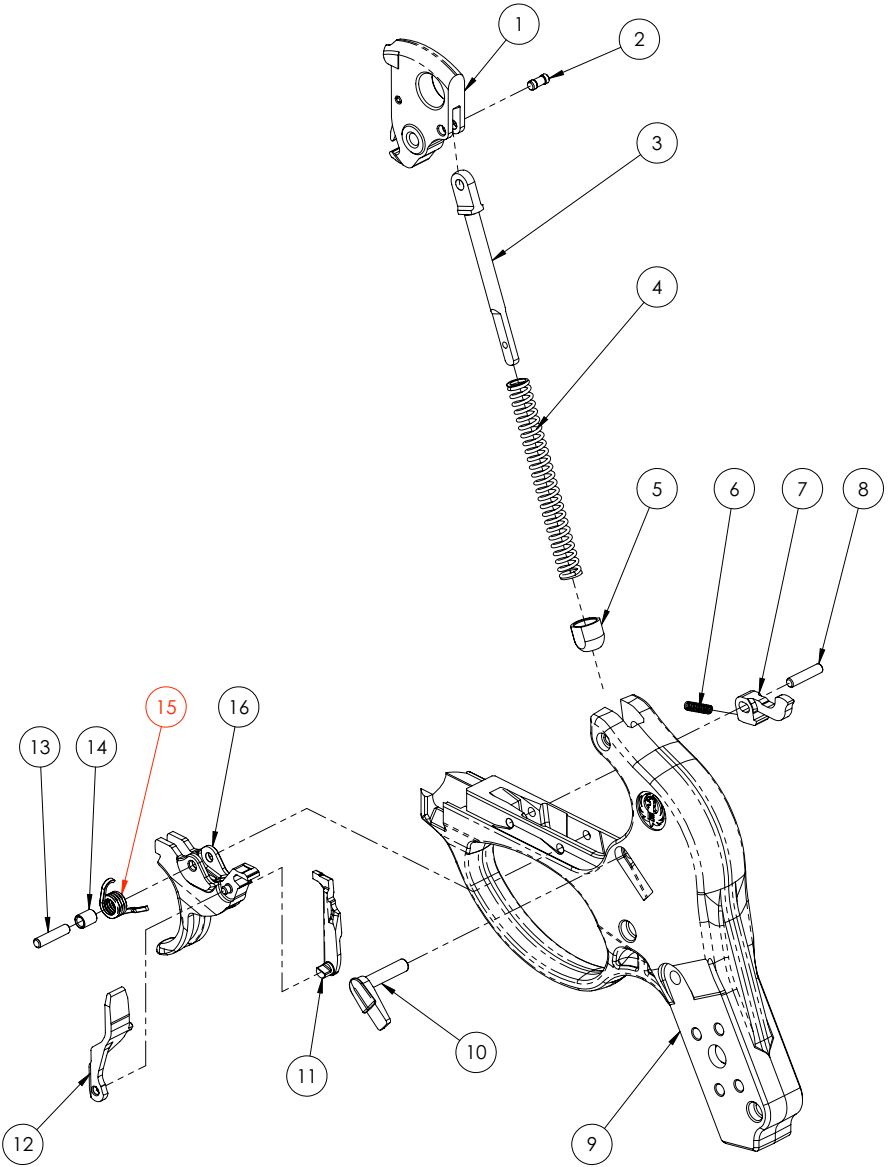
(See Exploded View on Page 31)

Key No.	Part Name	Part No.	Model
1	Hammer Sub-Assembly	LCR24000	LCR
2	Hammer Strut Pin	LCR04900	LCR
3	Hammer Strut	LCR01500	LCR
4	Mainspring	LCR00400	LCR
5	Mainspring Seat	LCR00500	LCR
6	Cylinder Latch Spring	LCR05900	LCR
7	Cylinder Latch	LCR04500	LCR
8	Trigger/Latch Pivot Pin	LCR02800	LCR
9	Fire Control Housing/Lock Sub-Assembly	LCR20300	LCR
10	Hammer Pivot Pin	LCR01600	LCR
* 11	Pawl	LCR01701	LCR
12	Transfer Bar	LCR00700	LCR
13	Trigger/Latch Pivot Pin	LCR02800	LCR
14	Trigger Spring Bushing	KLCR03200	LCR
15	Trigger Return Spring	LCR03700	LCR
16	Trigger	LCR03900	LCR

\* PARTS SO MARKED MUST BE FACTORY FITTED

# RUGER® LCR™

## FIRE CONTROL HOUSING SUB-ASSEMBLY



# RUGER® LCR™ CYLINDER SUB-ASSEMBLY

## PARTS LIST

Design, prices and specifications subject to change without notice.

SPECIFY MODEL AND CALIBER WHEN ORDERING

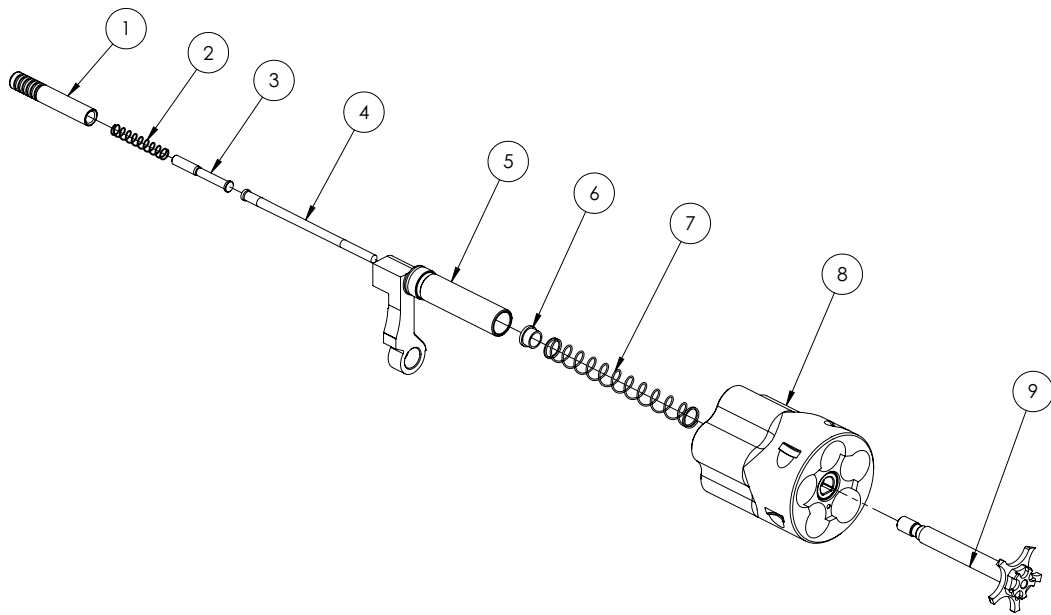
(See Exploded View on Page 33)

Key No.	Part Name	Part No.	Model
1	Ejector Extension	KLCR01810	LCR
2	Lock Pin Spring	LCR03400	LCR
3	Lock Pin Extension	AL-LCR05400	LCR
4	Center Lock Pin	TI-LCR05300	LCR
5	Crane	KLCR00811	LCR
6	Ejector Spring Bushing	LCR02900	LCR
7	Ejector Spring	LCR02500	LCR
8	Cylinder Sub-Assembly	KLCR00101	LCR
* 9	Ejector	KLCR01801	LCR

\* PARTS SO MARKED MUST BE FACTORY FITTED

# RUGER® LCR™

## CYLINDER SUB-ASSEMBLY





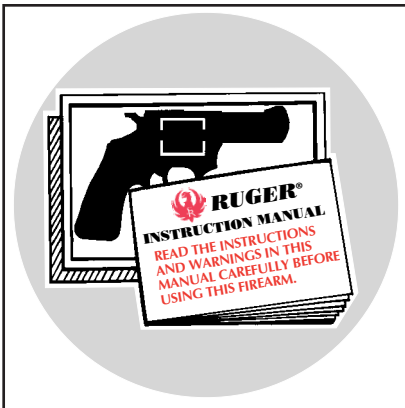
# THE BASIC RULES OF SAFE FIREARMS HANDLING

We believe that Americans have a right to purchase and use firearms for lawful purposes. The private ownership of firearms in America is traditional, but that ownership imposes the responsibility on the gun owner to use his firearms in a way which will ensure his own safety and that of others. When firearms are used in a safe and responsible manner, they are a great source of pleasure and satisfaction, and represent a fundamental part of our personal liberty.

Firearms do not cause accidents! Firearms accidents are almost always found to have been the result of carelessness, or ignorance on the part of the shooter of the basic rules of safe gun handling.

The following rules must be observed by gun users at all times. Safe gun handling is not just desirable, it is absolutely essential to your safety, the safety of others, and the continuation of gun ownership and sport shooting as we know it today.

## 1. LEARN THE MECHANICAL AND HANDLING CHARACTERISTICS OF THE FIREARM YOU ARE USING.



Not all firearms are the same. The method of carrying and handling firearms varies in accordance with the mechanical provisions for avoiding accidental discharge and the various proper procedures for loading and unloading. No person should handle any firearm without first having thoroughly familiarized himself with the particular type of firearm he is using, and with safe gun handling in general.

## 2. ALWAYS KEEP THE MUZZLE POINTED IN A SAFE DIRECTION.



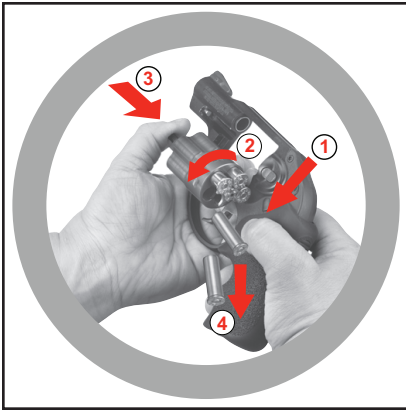
Be sure of the bullet stop behind your target, even when dry-firing. Never let the muzzle of a firearm point at any part of your body or at another person. This is particularly important when loading or unloading a firearm. In the event of an accidental discharge, no injury can occur as long as the muzzle is pointing in a safe direction. A safe direction means a direction which will not permit a

discharged bullet to strike a person, or to strike an object from which the bullet may ricochet.

A safe direction must take into account the fact that a bullet may penetrate a wall, ceiling, floor, window, etc., and strike a person or damage property. Make it a habit to know exactly where the muzzle of your gun is pointing whenever you handle it, and be sure that you are always in control of the direction in which the muzzle is pointing, even if you fall or stumble. Keep your finger off the trigger until you are ready to shoot.

### 3. FIREARMS SHOULD BE UNLOADED WHEN NOT IN USE.

Firearms should be loaded only when you are in the field or on the target range or shooting area, ready to shoot. Firearms and ammunition should be securely locked in safes, racks or cabinets, or by using the locking device supplied with the firearm when not in use. Ammunition should safely be stored separate from firearms. Store your firearms out of sight of visitors and children. It is the gun owner's responsibility to be certain that children and persons unfamiliar with firearms cannot gain access to firearms, ammunition, or components.



### 4. BE SURE THE BARREL IS CLEAR OF OBSTRUCTIONS BEFORE SHOOTING.

Even a bit of mud, snow or excess lubricating oil or grease in the bore may cause the barrel to bulge, or even burst on firing, and can cause serious injury to the shooter and bystanders. Be sure that you are using ammunition of the proper caliber and loading for the gun you are using. If the report or recoil on firing seems weak, or doesn't seem quite right, **CEASE FIRING IMMEDIATELY**, unload your firearm, and check to be sure that no obstruction has become lodged in the barrel.



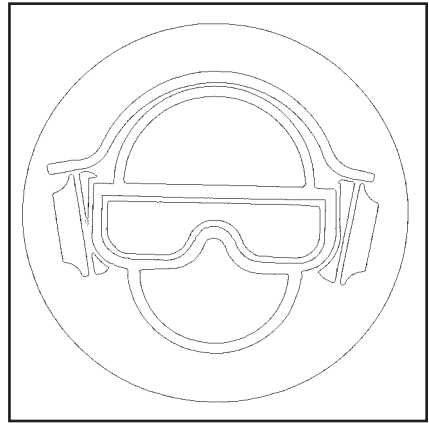


## 5. BE SURE OF YOUR TARGET BEFORE YOU SHOOT.

Don't shoot unless you know exactly where your bullet is going to strike. Be sure of the bullet stop behind your target, even when dry-firing with an unloaded gun. If you are in the field hunting, do not fire at a movement or noise. Take the time to be absolutely certain of your target before you pull the trigger.

## 6. WEAR SHOOTING GLASSES AND HEARING PROTECTORS WHEN YOU SHOOT.

All shooters should wear protective shooting glasses and adequate hearing protectors when shooting. Exposure to shooting noise can damage hearing, and adequate eye protection when shooting is essential.



## 7. NEVER CLIMB A TREE OR FENCE WITH A LOADED FIREARM.

Put the firearm down carefully before climbing a fence, and unload it before climbing or descending a tree or jumping over a ditch or other obstruction. Never pull or push a loaded firearm toward yourself or another person. When in doubt, or whenever you are about to do anything awkward, unload your gun!

## 8. DON'T SHOOT AT A HARD SURFACE, OR AT WATER.

Bullets can glance off many surfaces like rocks or the surface of water and travel in unpredictable directions with considerable velocity.



## 9. NEVER TRANSPORT A LOADED FIREARM.

Firearms should always be unloaded before being placed in a vehicle. A suitable carrying case or scabbard should be used to carry an unloaded firearm to and from the shooting area.

## 10. AVOID ALCOHOLIC BEVERAGES WHEN SHOOTING.

Don't drink until the day's shooting is over. Handling firearms while under the influence of alcohol in any form, or medications that could affect your judgment or coordination, constitutes a criminal disregard for the safety of others.



## A BRIEF ACCOUNT OF AN EXTRAORDINARY ACHIEVEMENT: RUGER FIREARMS

Sturm, Ruger & Company, Inc., had its beginning in a small machine shop occupying a rented frame building in Southport, Connecticut. In January, 1949, with an initial investment of only \$50,000 and an idea, William B. Ruger and Alexander M. Sturm started production of a .22 caliber autoloading pistol—a design which was so successful that it became the cornerstone upon which one of the most comprehensive lines of sporting firearms ever made in America was established. After Alex Sturm's death in 1951, William B. Ruger continued to direct the Company until his death in 2002. William B. Ruger, Jr. continued to provide guidance, which helped make this Company a sound and successful enterprise, until his retirement in 2006. The Company has continued to prosper, under new management and guidance from our Board, with new products and fresh perspectives.

Ruger, in this relatively short time, has established itself as a leading small arms design organization, developing a unique and broad line of fine quality sporting, military and police firearms to become one of the world's most famous producers of revolvers, pistols, rifles and shotguns. Since 1949 Ruger craftsmen have built many millions of firearms.

During its five decades of growth and progress under the leadership of William B. Ruger, the Company developed a business philosophy and implemented policies which represent a constructive influence in the life of modern America. From the beginning, Ruger played a positive role in conservation efforts and has supported the interests of shooters through such groups as the National Rifle Association, National Shooting Sports Foundation, and many regional sportsmen's organizations.

The Company has always endeavored to market its firearms for constructive and recreational purposes, to emphasize the traditional and responsible aspects of shooting, to render meaningful public services, and to encourage shooters in constructive, responsible, and safe participation in the shooting sports. Its motto, "Arms Makers For Responsible Citizens," exemplifies this Company philosophy.

Today, Ruger is particularly mindful of those elements which have contributed to the creation of its success, and extends heartfelt thanks to its many loyal employees and customers.

A current catalog of Ruger firearms is available free upon request to  
Ruger, Southport, CT 06890

The firearms catalog, and instruction manuals for all Ruger firearms,  
can also be downloaded from our website at:

**[www.ruger.com](http://www.ruger.com)**

## WHY NO WARRANTY CARD HAS BEEN PACKED WITH THIS NEW RUGER FIREARM

The Magnuson-Moss Act (Public Law 93-637) does not require any seller or manufacturer of a consumer product to give a written warranty. It does provide that if a written warranty is given, it must be designated as "limited" or as "full" and sets minimum standards for a "full" warranty. Sturm, Ruger & Company, Inc. has elected not to provide any written warranty, either "limited" or "full", rather than to attempt to comply with the provisions of the Magnuson-Moss Act and the regulations issued thereunder. There are certain implied warranties under state law with respect to sales of consumer goods. As the extent and interpretation of these implied warranties varies from state to state, you should refer to your state statutes. Sturm, Ruger & Company wishes to assure its customers of its continued interest in providing service to owners of Ruger firearms.



**STURM, RUGER & Company, Inc.**  
411 Sunapee Street  
Newport, New Hampshire 03773 U.S.A.  
[www.ruger.com](http://www.ruger.com)

**Arms Makers For Responsible Citizens®**

A COPY OF THE INSTRUCTION MANUAL FOR ANY RUGER  
FIREARM IS AVAILABLE FROM THE FACTORY FREE ON REQUEST, OR IT MAY  
BE DOWNLOADED FROM OUR WEBSITE AT [WWW.RUGER.COM](http://WWW.RUGER.COM).  
THESE INSTRUCTION MANUALS CONTAIN IMPORTANT  
WARNINGS WHICH MUST BE UNDERSTOOD  
BEFORE USING THESE FIREARMS.

"22/45," "22 Charger," "LCP," "LCR," "Model 96," "P90," "P91," "P93," "P94," "P95," "P97," "P345D," "Mark III," and "P345PR" are RUGER TRADEMARKS. "RUGER," THE STURM, RUGER LOGO, "AC-556," "Arms Makers For Responsible Citizens," "10/22," "All-Weather," "Bearcat," "Blackhawk," "Gold Label," "GP100," "Hawkeye," "M77," "Mini Thirty," "Mini-14," "Old Army," "P345," "P85," "Redhawk," "Ruger Titanium," "Ruger 77/17," "Ruger 77/22," "Ruger 77/44," "Ruger 77/50," "Ruger SP101," "Ruger Vaquero," "Security-Six," "Service-Six," "Single-Six," "Speed-Six," "SR9," the "SR" Design, "Super Redhawk Alaskan" and "Target Grey" are REGISTERED U.S. TRADEMARKS.

"DEERFIELD" is a registered trademark of Blount, Inc.

"The Frontier" is a registered trademark of new Colt Holding Corp.