

**FIREARMS SAFETY IS YOUR
RESPONSIBILITY**

**KEEP THE MUZZLE POINTED
IN A SAFE DIRECTION**

This manual should always accompany this firearm and be transferred with the firearm upon any change of ownership or possession. We will happily provide additional or replacement copies upon request.



**ROHRBAUGH
FIREARMS**

For more information, contact:

ROHRBAUGH FIREARMS

P.O. Box 785 Bayport, NY 11705

631-242-3175

Fax: 631-242-3183

www.rohrbaughfirearms.com

OPERATING INSTRUCTIONS AND SAFETY PRECAUTIONS FOR YOUR



ROHRBAUGH FIREARMS

IMPORTANT: Study this
Instruction Manual carefully before
you handle your firearm. It contains
vital instructions and warnings
regarding safe handling and use.



**The World's
Smallest & Lightest
9mm Handgun**

INTRODUCTION

Thank you for purchasing your Rohrbaugh 9mm. pistol. You will find that it is the lightest and smallest 9mm. pistol currently available. At Rohrbaugh Firearms production is geared to maximize quality without compromise. Using state-of-the-art CNC machinery, our pistols are crafted from precision forged billets and hand assembled to exacting standards overseen by our master gunsmith. Not only is the weapon versatile and reliable, its sleek, smooth lines transform it into a true example of functional art.

Hopefully the weapon will never be needed in a personal defense situation. However, it is designed to perform in that role. Design choices have been made in contemplation of the realities of close encounter self defense circumstances. External streamlining maximizes ease of access to the pistol and minimizes possibilities of snagging or delay in bringing it into use. Simplicity of function minimizes risks of delay or incorrect operation in a maximum stress situation. Care in design, manufacture and assembly produces a weapon that functions as designed when performance is critical. Real life situations call for real life actions. Speed, simplicity and reliability can make all the difference. Your Rohrbaugh pistol is designed and manufactured to fulfill those roles.

Use it safely.

Sincerely,

A handwritten signature in black ink, appearing to read 'Karl Rohrbaugh', with a long, sweeping flourish extending to the right.

KARL ROHRBAUGH

GENERAL INFORMATION AND OPERATING INSTRUCTIONS

Your Rohrbaugh Firearm is manufactured at the company's plant on Long Island, New York and made of the finest materials available to realize the intent of its design. It is important to understand that this pistol was designed, from the very beginning, to be a physically small, high-powered self-defense firearm. Design choices have been made to realize this goal and you, the owner, need to be familiar with them.

We began by thinking about the circumstances in which a handgun is used for self-defense. First, the threat is close. Second, time is short. Third, the user is under enormous stress. Fourth, the risk will never be higher. These things mean something in terms of designing a pistol to meet self-defense needs. A self-defense pistol will be carried on the person, so minimizing size and weight is important. It will be used at close range, so target range quality sights are not as important. It will be used quickly while under great stress, so simplicity of operation is a major priority. It will be used when a threat is real, close and potentially mortal. Reliability must be designed into the gun.

We believe that the design choices we have made reflect the priorities appropriate to a self-defense weapon. To minimize size and weight, we have chosen basic materials that are both strong enough to insure proper operation, yet still light. One respect in which these choices will affect you, the owner, will be in the need to periodically replace the pistol's recoil spring (recommended after 200 rounds), as the force of recoil of a 9mm parabellum cartridge in a pistol with this total weight results in wear on the recoil spring. Another aspect to realize is that the "perceived" force of recoil of the Rohrbaugh pistol will be greater than in a full size semi-automatic. Reducing the "mass" of the pistol results in greater perceived recoil. We don't see this as a problem, as the pistol is designed for self-defense, not comfort on a target range.

The combination of great stress and high risk associated with a self-defense situation also suggests design choices. Simplicity of operation means retaining a reliable firearm which is safe to carry. But it also means eliminating design features which are not necessary to the purpose and intent of the pistol. Your

Rohrbaugh pistol does not have a separate “safety”, which might either malfunction or be forgotten under stress. The “safety” of the Rohrbaugh is the double action only design, which means that the trigger has to be pulled through a long, double action arc to fire the gun. Once loaded, this pistol is ready to fire without further actions to disengage a mechanical safety. Similarly, the pistol does not have a “magazine safety”. As with many other military and self defense pistols, the ability to fire the weapon even when changing a magazine was considered of greater importance.

That brought us to the reliability issue. Regardless of advances in technology, the common denominator of reliability remains simplicity. The fewer things there are that can go wrong, the fewer there are that may go wrong at the worst possible moment. By adapting the time-tested locked breech mechanism to a design utilizing state of the art materials for strength and weight, and by eliminating the frills and “gizmos” of many current semi-automatic pistols, we have tried to create as completely a reliable weapon as possible.

We hope that you share our conception of the design choices appropriate to this type of firearm. We believe that we have realized those choices in an elegant and functional pistol. We trust that you will enjoy owning it.

Regardless of design features, however, any firearm must be handled with care and respect. A firearm is designed to be potentially deadly.

TECHNICAL SPECIFICATIONS

CALIBER: 9mm STANDARD PRESSURE PARABELLUM ONLY.

DO NOT LOAD WITH +P OR +P+ AMMUNITION

CALIBER: 9mm KURZ - 380 ACP

WEIGHT: 12.8 OZ.

MAGAZINE CAPACITY: 6 ROUNDS

TOTAL CAPACITY: 6 PLUS 1 IN THE CHAMBER.

OPERATION: DOUBLE ACTION ONLY

ACTION: SEMI-AUTOMATIC LOCKED BREECH ACTION

SIGHTS: FIXED

OVERALL LENGTH: 5.2 INCHES

OVERALL HEIGHT: 3.7 INCHES

BARREL LENGTH: 2.9 INCHES

FRAME*: 7075 ALUMINUM

SLIDE*: STAINLESS STEEL

BARREL*: STAINLESS STEEL

*CNC machined from precision billets.

NOTE: Rohrbaugh Firearms reserves the right to change specifications without notice.

WARNINGS AND SAFETY INSTRUCTIONS

There is a possibility of unintentional or accidental discharge with any loaded firearm. Unless circumstances absolutely require it, **DO NOT CARRY THIS FIREARM WITH A ROUND LOADED IN THE CHAMBER.** This will eliminate the risk of unintentional or accidental discharge.

CARELESS OR IMPROPER HANDLING CAN RESULT IN UNINTENTIONAL DISCHARGE which can cause injury or death to the user or bystanders. **THIS PISTOL IS A DEADLY WEAPON.** The user must be completely familiar with its proper use and handling and must use care appropriate to a deadly weapon.

CAUTION: USE ONLY ORIGINAL HIGH QUALITY FACTORY MANUFACTURED (NO RELOADED) 9mm STANDARD PRESSURE PARABELLUM AMMUNITION IN GOOD CONDITION. DO NOT USE +P OR +P+ AMMUNITION. Your Rohrbaugh Pistol has a short barrel to minimize overall size. +P or +P+ ammunition will not result in increased performance but can cause undue wear and failure of the mechanism.

WARNING: Merely removing the magazine DOES NOT UNLOAD THIS PISTOL.

You must also **remove any round from the chamber. PULLING THE TRIGGER WILL FIRE THIS PISTOL EVEN WITH THE MAGAZINE REMOVED** if there is a round in the chamber. To unload the weapon, remove the magazine and “Clear” the chamber. Visually inspect the chamber to insure there is no round of ammunition present.

ADDITIONAL SAFETY NOTES!

- There is NO MANUAL SAFETY!
- There is NO SLIDING LOCK!
The slide will not stay open
after the last round!
- There is NO MAGAZINE DISCONNECT!
The gun will fire without the magazine!
- Right side grip screws MUST BE KEPT SNUG
OR GUN CAN MALFUNCTION!

FIREARMS ARE DEADLY WEAPONS AND ARE DANGEROUS!

It is essential that these instructions and warnings be thoroughly studied before handling or using the firearm to insure proper and safe gun handling. Firearms safety is **YOUR RESPONSIBILITY** and must be your first and constant consideration. **KNOW YOUR GUN AND ITS HANDLING CHARACTERISTICS.**

FIREARM SAFETY WARNINGS

Most of these warnings apply to all types of firearms. These precautions should become second nature to anyone handling a firearm.

1. **FIRST AND FOREMOST: ALWAYS KEEP THE PISTOL POINTED IN A SAFE DIRECTION.** Never point any gun – loaded or unloaded – at anything you are not willing to destroy. **THIS IS THE MOST IMPORTANT RULE OF FIREARMS SAFETY.** Even in the event of an accidental discharge, no harm will result if the firearm is always pointed in a safe direction.
2. **ALWAYS** assume that every gun is loaded and ready to fire until you personally establish that it is not. Know how to check any firearm to establish whether it is loaded. Know how to clear (this involves making sure the firing chamber **and** magazine are unloaded) any firearm you touch. **NEVER** rely on someone else's word that a gun is unloaded. **CHECK IT YOURSELF.** Your first action upon picking up a firearm should always be to *check whether it is LOADED!!!*
3. **Keep your finger off the trigger until you are ready to shoot. This is a basic rule of firearms safety!**
4. **ALWAYS** keep a firearm unloaded until it must be ready for use. Only loaded firearms can discharge accidentally.
5. **NEVER** carry your pistol with a round in the chamber **unless circumstances make it absolutely necessary.** It is much safer to carry a semi-automatic pistol with the chamber **UNLOADED.** In the vast majority of circumstances, the additional protection against unintentional discharge offered by an empty chamber is much more important than the few seconds it will take to chamber a round.
6. **ALWAYS** be careful of where a gun is pointing when you or anyone else is handling a gun, **ESPECIALLY** when you are loading, unloading or operating any other mechanism of the gun. This is when most accidental discharges occur. **NEVER** let the gun point at you or others when you are manipulating its parts.

7. **NEVER RELY ON ANY MECHANICAL SAFETY. Mechanical safeties can break or fail. FIREARMS SAFETY DEPENDS ON YOU, THE USER.**
8. **Never shoot at a hard, flat surface or at the surface of water.** This could cause a ricochet, which may result in possible injury to you or someone else.
9. **Before each loading or use of the pistol, check to insure that the bore (the inside of the barrel) is unobstructed and free of grease or excessive oil. Insure that your pistol is unloaded before checking the bore.** Recheck the bore if anything occurs which might cause an obstruction (such as dropping the pistol). Firing any firearm with a bore or chamber obstruction can result in serious injury to the shooter or bystanders.
10. **Keep your pistol free of rust and corrosion.** Rust and corrosion can cause sufficient barrel obstruction to result in extreme overpressure on firing which can result in structural failure and serious injury to the shooter or bystanders
11. **USE EYE AND EAR PROTECTION WHEN SHOOTING.** Repeated unprotected exposure to gunfire can lead to ear damage and hearing loss. **Use of safety glasses reduces the chances of injury from flying particles.**
12. **When shooting any firearm, make sure all other persons are safely to the rear of the shooter.** Semi-automatic pistols such as your Rohrbaugh R9 or R9S eject hot fired cartridge cases to the right upon firing. Never place your hand in this area when shooting and make sure all bystanders are to your rear.
13. **When shooting, keep your eyes, thumb, fingers and other body parts clear of the area immediately to the rear of the slide and the ejection port. Upon firing, this pistol's slide will move rapidly and forcefully to the rear. The moving slide can cause serious injury.**
14. **While shooting, if you have a misfire or notice any unusual sound or recoil upon firing, CEASE FIRING IMMEDIATELY.** With your finger away from the trigger, completely unload the pistol by removing the magazine and clearing the chamber, then check the barrel for obstruction. A misfire can result in a barrel obstruction, which is extremely dangerous.
15. There are occasions when a round of ammunition fails to fire as expected. **This can involve a "hang fire." If your pistol fails to fire upon pulling the trigger, keep the pistol pointed in a safe direction and wait at least fifteen seconds.** There may be a delayed discharge. If the round does not discharge, remove it from the chamber and inspect it. Any variation from normal in the firing pin indentation in the primer of the cartridge is reason to have your pistol inspected by a professional gunsmith.

16. **ALWAYS** be sure of your target and insure that there is a safe “field of fire.” You may miss the target. Be sure there is nothing you don’t want to hit in the direction you are shooting.
17. **ALWAYS** store guns **unloaded, in a safe, clean, dry place – OUT OF REACH OF CHILDREN.** Firearms should **ALWAYS** be stored separately from ammunition.
18. **NEVER** mix alcohol or drugs with shooting. It is **unsafe** and just plain **stupid.**
19. **ALWAYS** hold or carry your pistol so that you can control the direction of the muzzle if you fall or stumble. Dropping guns or allowing an impact to a loaded gun accounts for many accidental discharges.
20. **NEVER** pull a gun toward you by grasping its muzzle. If it snags on something and fires, it will be pointed at you.
21. **AVOID** attempting to load or unload a gun when you are inside a vehicle or building. There is usually no safe direction in which to point the gun.
22. **NEVER make alterations to any parts in your gun.** Any adjustments that may become necessary should be performed by a qualified gunsmith. Alterations will void the warranty. **Do not risk your safety or the safety of others by making modifications to your firearm.**
23. **NEVER LEAVE AN UNATTENDED GUN LOADED. EVER.** Store unattended guns unloaded, locked if possible, and separately from ammunition. **INSURE** that unattended guns are beyond the reach of children. **Your gun is YOUR responsibility.**

FAILURE TO FOLLOW THESE INSTRUCTIONS OR FAILURE TO OBEY A SAFETY WARNING MAY RESULT IN INJURY TO YOU, TO OTHERS, OR DAMAGE TO THE FIREARM.

OPERATION

CAUTION: Practice each of these steps and operations with an **unloaded** pistol until you are completely sure of your familiarity with the mechanism and your ability to perform these operations without error. Mistakes can result in an unintentional discharge.

LOADING:

1. Remove the magazine from the pistol by rotating the magazine latch to the rear and drawing the magazine down and out of the pistol's grip. Confirm that the pistol is unloaded by then checking the chamber by drawing the slide to the rear, visually inspecting the chamber, then letting the slide return forward.
2. Insert up to six 9mm parabellum cartridges into the magazine by placing each cartridge at the top of the magazine, pressing down and sliding the cartridge to the rear of the magazine. You will need to overcome the magazine spring pressure and to insure that each cartridge is firmly seated into the magazine.
3. Replace the magazine into the magazine well in the grip of the pistol, snapping it into place by impacting the bottom of the magazine. Insure that the magazine latch has engaged, locking the magazine in place.
4. Your firearm now has a loaded magazine, but no round of ammunition in the chamber. If you wish to ready the pistol for firing you must "chamber" a round. Pull the slide of the pistol to the rear by grasping the slide between thumb and forefinger (**Caution: Keep your finger off the trigger while performing these operations and keep your finger away from the ejection port area on the slide to avoid injury.**) Release the slide, visually watching the slide capture a round from the magazine and chamber the round as the slide closes.
5. **The pistol is now loaded and ready to fire. Pressure on the trigger will fire the weapon!**

UNLOADING:

1. Unloading your pistol requires extreme care, as you are handling a loaded weapon.
2. While holding the pistol pointed in a safe direction, with your hand, fingers and all other body parts away from the muzzle, **and with your finger off the trigger**, rotate the magazine latch to the rear to release the magazine. Grasp the bottom of the magazine with your fingers and draw it down and out of the pistol.

CAUTION: IF THERE IS A ROUND IN THE CHAMBER, THE PISTOL IS STILL LOADED AND IT WILL FIRE IF THE TRIGGER IS PULLED.

3. With the magazine removed from the pistol, grasp the rear of the slide between thumb and forefinger and pull it sharply to the rear. Any chambered round should be ejected by this action. **However, you must still visually check the chamber to insure that it is empty.**
4. Store the unloaded pistol safely in a locked container, separate from any ammunition.

FIRING:

1. With a loaded pistol, point the firearm at your target, being careful to **keep your finger off the trigger** until you are actually ready to fire.
2. Place your finger on the trigger and exert sustained rearward pressure on the trigger. The double action design will result in the hammer cocking to the rear then releasing forward to strike the firing pin and fire the pistol.

CAUTION: When firing the pistol, keep your thumb, fingers, eyes or other body parts away from the immediate rear of the slide and from the ejection port. Firing the pistol results in the slide moving very rapidly to the rear with great force, to eject the spent cartridge case and load the next round. The slide will cause injury to any body parts close enough to be struck by its movement. Similarly, firing the pistol will result in the forceful ejection of the hot, spent cartridge case from the ejection port on the upper right side of the pistol. Keep your hand clear of this area.

3. So long as there is ammunition remaining in the magazine, firing the pistol will cause it to chamber the next round, readying it for continued firing by repeated pulls on the trigger. After firing, **the pistol remains loaded and ready to fire** again.

DISASSEMBLY AND MAINTENANCE:

1. **First, INSURE THE PISTOL IS COMPLETELY UNLOADED.**
2. Grasp the slide with thumb and forefinger and move it to the rear approximately 1/4 inch until the opening on the middle right side of the slide aligns with the pin on the frame immediately below it. (See Diagram)
3. Using a small punch, push the takedown pin from the right side to the left until it clears the frame. This will free the slide.
4. Remove the slide by moving it forward off the frame.
5. Remove the guide rod and recoil spring from the slide, separating the two main components to allow inspection and cleaning. **Note: Rohrbaugh Firearms recommends periodic replacement of the recoil spring after each 200 rounds fired. Replacement springs are available from Rohrbaugh Firearms.**
6. Remove the barrel from the slide by pushing it rearward to clear the chamber and separate the components. These parts may now be cleaned and lightly oiled.
7. Using a hex head Allen wrench, the two screws holding the right grip to the frame may be removed, allowing visual inspection of the trigger housing and sear. **Do not attempt further disassembly or adjustment of internal parts. Internal parts must be carefully fitted and adjusted by a qualified gunsmith for proper function. Alteration or adjustment of these parts may result in dangerous malfunction.**
8. User maintenance involves only inspection and very light oiling of parts to insure smooth operation and avoid corrosion. **CAUTION: Excessive use of oil or other lubricants can result in buildup and fouling of internal parts. Use lubricants sparingly.**

ASSEMBLY:

1. Replace the right grip by aligning it with the frame, inserting the two grip screws and tightening carefully. Be careful not to cross thread the screws or overtighten them.
2. Reverse the disassembly technique to replace the barrel in the slide.
3. Place the recoil spring on the guide rod and insert the assembly into the slide by engaging it with the interior notch.
4. Reinstall the slide by placing it on the guide rails on the upper frame and pushing it backward until the frame and slide line up, allowing insertion of the locking pin. Press the locking pin through the slide and frame until it is flush.

STORAGE:

A FIREARM SHOULD NEVER BE STORED LOADED!! Remove the magazine from the pistol, insure the chamber is empty by pulling the slide to the rear and visually inspecting the chamber, then store the weapon separate from all ammunition. The **safe way** to store any firearm is by using an individual locking device for the firearm and then placing it in a locked container. Rohrbaugh Firearms packages a separate cable lock with each of our pistols. Other locking devices, such as trigger action locks, or cable locks through the

barrel are available in any gun store. **KEEP STORED FIREARMS INACCESSIBLE TO CHILDREN. IF NO LOCK IS RECEIVED UPON PURCHASE, CONTACT ROHRBAUGH FIREARMS AND IT WILL BE SENT FREE OF CHARGE.**

PROFESSIONAL INSPECTION:

You should periodically have your Rohrbaugh pistol inspected by a professional gunsmith to insure that use or corrosion has not resulted in worn or broken parts. As with any mechanism, extensive use or inadequate maintenance can result in worn or broken parts. In a firearm, this can be dangerous. So periodically have the pistol inspected. If parts need replacement, send the pistol back to Rohrbaugh Firearms and we will happily repair or replace any worn or broken parts without charge.

Do not attempt disassembly of the pistol beyond the instructions given here. The inner working parts of the pistol are not intended for user maintenance, as fitting and adjustment of those parts requires professional training and should only be performed by the factory or a professional gunsmith.

LEAD WARNING:

The discharge of this pistol, or any other firearm, in poorly ventilated areas, cleaning firearms or handling ammunition may result in exposure to lead and other substances known to the State of California to cause birth defects, reproductive harm, and other serious injury. Have adequate ventilation at all times when shooting. Wash hands thoroughly after shooting, cleaning firearms or handling ammunition.

LEGAL ISSUES:

This manual is intended to give you the information, instructions and safety warnings that you need to safely use and enjoy your Rohrbaugh 9mm Pistol. Use and ownership of firearms, handguns especially, are subjects that are heavily regulated and legislated by federal, state and local jurisdictions. Violation of these laws can result in criminal prosecution and penalties for the owner or user of a firearm. Rohrbaugh Firearms cannot be familiar with all of these laws and is responsible only for insuring that we produce and sell our firearms in strict compliance with the laws and regulations covering manufacture and sale of firearms in the jurisdiction where we do business. It is your responsibility to familiarize yourself with the legal restrictions placed upon ownership, carrying and use of firearms and insure that you are in compliance.

LIMITED LIFETIME WARRANTY

Rohrbaugh Firearms warrants to the first retail purchaser of this firearm from a licensed dealer that this Rohrbaugh pistol is free from any defects in materials and workmanship under normal use. Rohrbaugh Firearms will repair or replace, at its option, any defects due to faulty material or workmanship throughout the first purchaser's ownership of this pistol. The owner must first notify Rohrbaugh Firearms, in writing, stating the difficulty experienced, the date and place of original purchase, and the serial number of the firearms. The owner must return the firearm to Rohrbaugh Firearms for repair or replacement.

When returning a firearm to Rohrbaugh for adjustment or repair, you must properly pack the unloaded pistol. **Do not ship a loaded pistol.** All attachments, cases, holsters or special grips should be removed. When returning a firearm to Rohrbaugh, you may ship via United Parcel Service or other freight service. The United States Postal Service does not accept handguns for shipment unless you personally hold a federal firearms license. Return shipment to Rohrbaugh may also be arranged through a licensed federal firearms dealer. In any event, shipping charges must be prepaid by the owner. Rohrbaugh acknowledges receipt of all firearms returned for adjustment or repair.

Once a firearm is adjusted, repaired or replaced, it will be returned to you (or to the dealer who sent it to us, if that is the case) within a reasonable period of time. If, however, the necessary repairs cannot be made within a reasonable period of time, you will be notified. Return shipping and insurance charges will be paid by Rohrbaugh Firearms.

EXCLUDED FROM THIS WARRANTY are malfunctions caused by improper use or abuse of the firearm; unauthorized modifications or repairs to the firearm; shipping damages; careless handling; defective or improperly loaded ammunition; reloaded ammunition; and corrosion.

Rohrbaugh Firearms' responsibility under this warranty is limited to the repair or replacement of the firearm. Responsibility or liability for damage to property other than the firearm, personal injury or death, or other consequential damages is **EXPRESSLY EXCLUDED**. This product is a FIREARM and is capable of causing injury, death or damage to property. It is sold by Rohrbaugh Firearms with the explicit understanding that we are not responsible for personal injury or property damage caused by improper use or accidental discharge due to conditions or circumstances beyond our control. Nor are we responsible for the legality of its resale.

This warranty is in full compliance with the Magnuson-Moss-Federal Trade Commission Improvement Act, Public Law No. 93-637. This warranty gives you specific legal rights. You may also have other rights pursuant to state laws, which vary from state to state.

Cleaning And Disassembly Instructions

Caution: Never have your finger on the trigger during this process



Remove magazine from firearm.



Move slide back making sure chamber is empty.



Move slide back locating barrel pin.



Turn over and, using a 1/16 pin. Push out the 5/32 barrel pin.



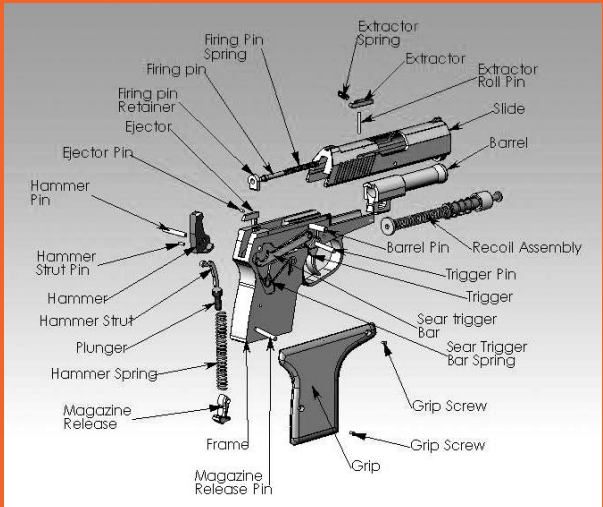
Move slide forward. Removing from frame.



Press guide rod assembly releasing it from barrel



Final disassembly view.



Exploded view