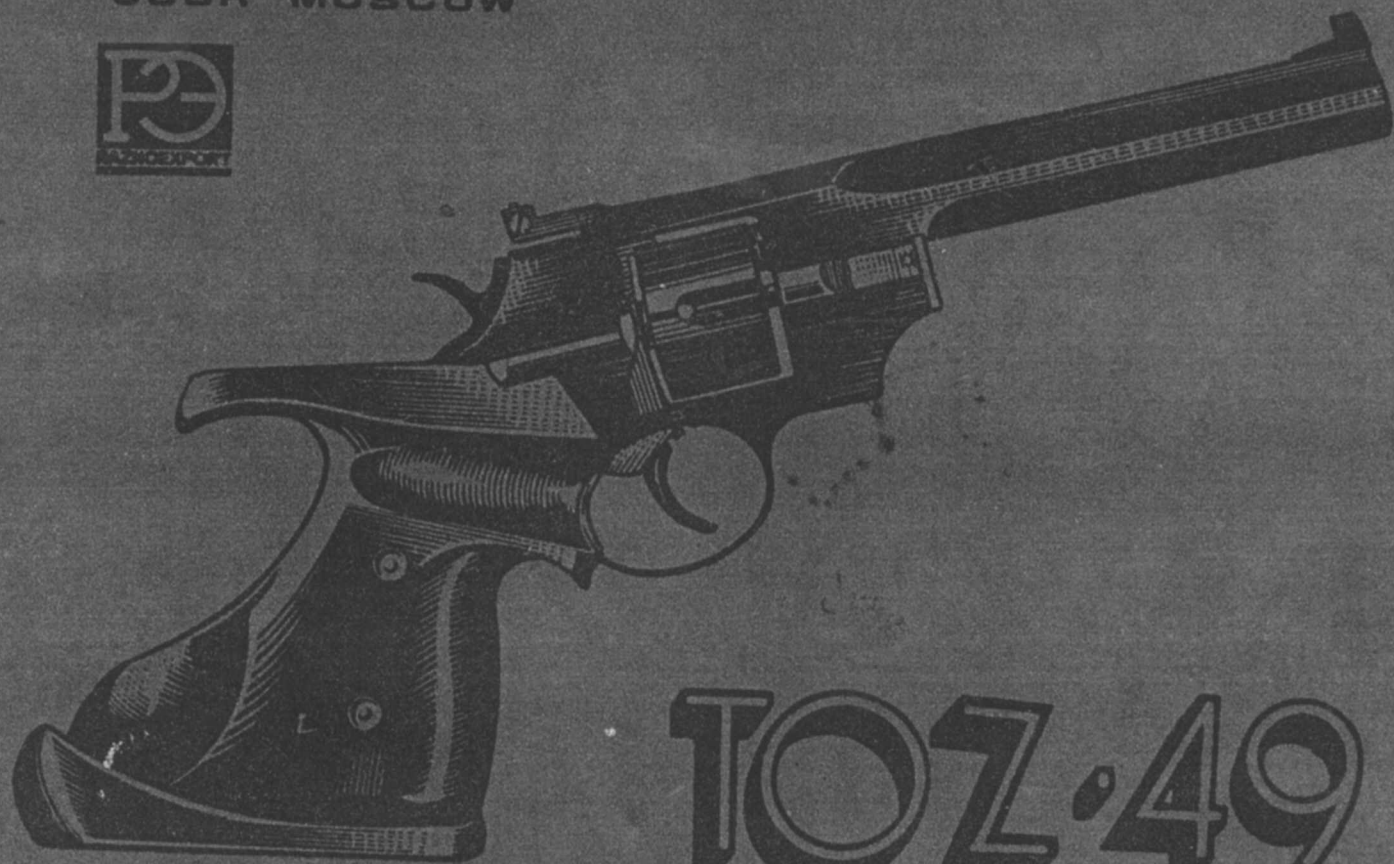


Certificate TOZ-49 000.000 ПС

V/O RAZNOEXPORT

USSR · MOSCOW



TOZ-49

**Sporting  
Revolver**

---

---

### 1. General

ATTENTION! Before using the revolver carefully study its description and maintenance instructions.

The revolver may have minor constructional changes as compared with the present description owing to further improvement of its design.

### 2. Purpose

The sporting revolver TOZ-49, cal. 7.62 mm, is designed for sport shooting at round stationary and silhouette targets in sport ranges at a distance of 25 m.

The ammunition used with the revolver are sporting pistol cartridges.

### 3. Basic Characteristics

Calibre, mm .....	7.62
Close grouping of hits - mean dispersion diameter, when firing five groups of ten shots from an aiming rest at a range of 25 m, mm, not to exceed .....	35
Trigger pull adjustment margin, kgf, not to exceed .....	1.3 - 1.7
Deviation of mean impact point, when turning sight adjusting screw through one click during firing at a range of 25 m, mm, not to exceed:	
in windage .....	12.5
in elevation .....	15
Mass, kg, not to exceed .....	1.2
Dimensions, mm, not more than .....	300x50x150

## 4. Delivery Set

Table 1

Description	Qty	Designation
Rear sight	1	TOZ-49 006.005
Front sight	1	TOZ-36 006.033
Spring	2	TOZ-49 000.002
Pawl spring	2	TOZ-36 000.017
Screw-driver with plastic grip and blade 7.5 - 4.5-mm wide	1	7.5-4.5 OCT 3-57-70
Screw-driver with blade 2.5 mm wide	1	1-2.5 OCT 3-55-70
Drifts, diameter		
1.5 mm	1	3-1.5 OCT 3-54-70
2.0 mm	1	3-2.0 OCT 3-54-70
Scourer	1	II-7.62 OCT 3-52-70
Bristle brush	5	7.62 OCT 3-53-70
Brass brush	5	TOZ-36 009.030
Case	1	TOZ-36 009.010
Cleaning rod	1	TOZ-36 009.020
Cover	1	601.52761.301
Oiler, plastic	1	605
Revolver Certificate	1	TOZ-49 000.000HC

## 5. Construction and Principle of Operation

The cylinder is provided with 6 chambers.

The cartridge is locked by the breech piece with the aid of the locking lug.

The firing and trigger mechanism is capable of firing only after cocking the hammer manually **before each shot.**

To prevent leakage of powder gases between the barrel and the cylinder, the latter is snifted onto the barrel and the cartridge bullet enters the barrel bore.

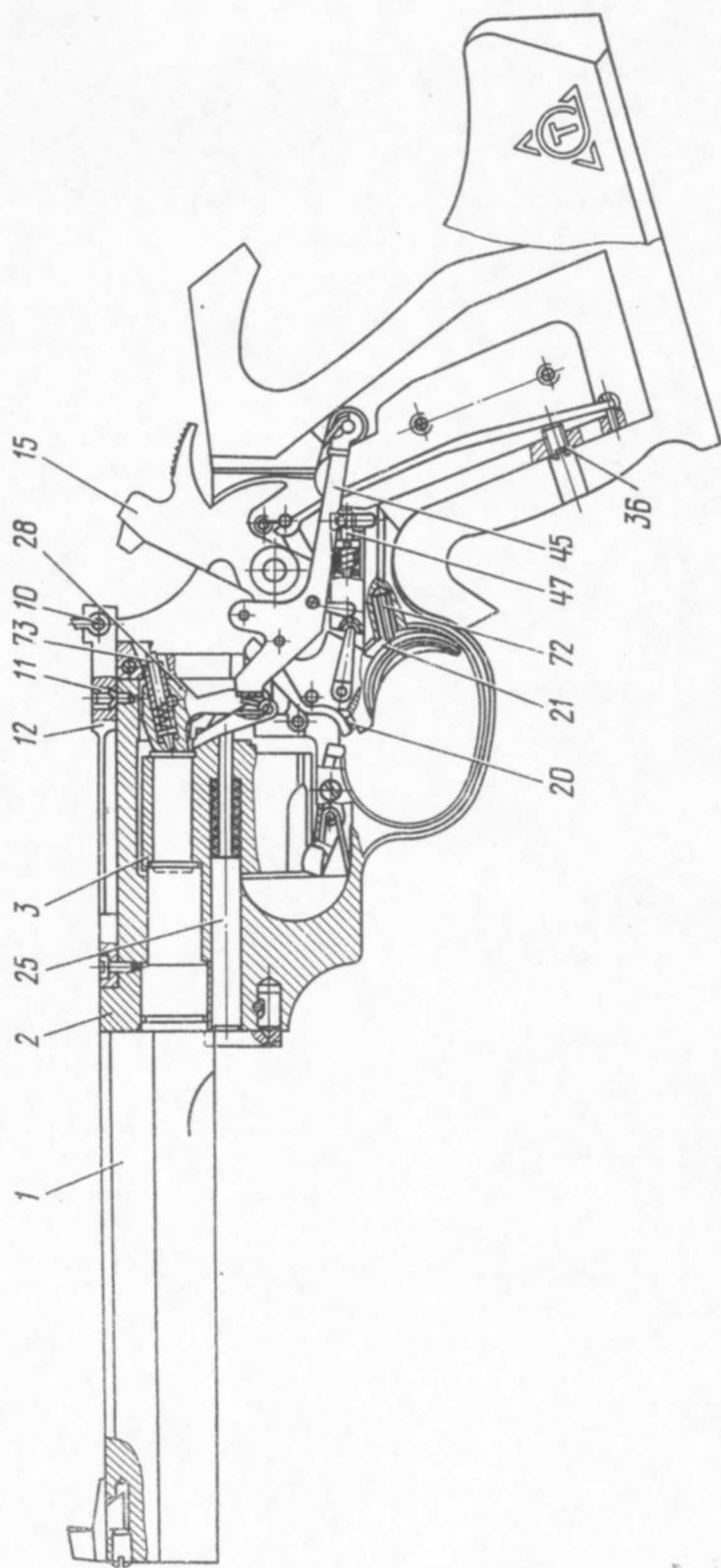


Fig.1. General View (cross section)

- 1 - barrel; 2 - frame; 3 - cylinder; 10 - screw;
- 11 - screw; 12 - rear sight leaf; 15 - hammer;
- 20 - screw; 21 - trigger; 25 - pin; 28 - breech piece;
- 36 - mainspring screw; 45 - side lever; 47 - stop screw; 72 - adjusting screw; 73 - striker.

The revolver is furnished with an extractor of fired cases.

The rear sight is adjustable in windage and elevation. The front and rear sights are replaceable.

Provision is made for adjusting trigger pull and creep without removing the cover and cylinder.

The revolver grip is of a special shape.

The parts of the revolver are listed in the Appendix.

## 6. Safety Rules

The sportsman should always regard his revolver as loaded and ready for firing.

CAUTION! Never point your revolver at people or domestic animals. Keep the revolver unloaded, with the hammer released. Store ammunition under lock.

When the hammer is cocked, avoid abrupt jerks and knocks of the revolver.

## 7. Disassembly and Assembly

Before proceeding to disassemble the revolver make sure that it is unloaded by checking the cylinder chambers.

7.1. To disassemble the revolver for cleaning and lubrication the following procedure should be adopted:

(a) open access plate 63 ( see Fig.2);

(b) turn pin 25 until its head comes out of the barrel slot;

(c) holding the cylinder by hand, remove pin 25;

(d) detach the cylinder;

(e) remove the spring from the cylinder seat.

7.2. To assemble the revolver use the reverse procedure.

The assembly completed, check the revolver mechanisms for proper functioning.

7.3. Complete disassembly of the revolver is allowed in cases of extreme necessity and at an armourer's shop only.



## 8. Handling and Care

The revolver's service life and trouble-free operation of its mechanisms largely depend upon skilful and careful handling.

### 8.1. Preparation for Firing

To prepare the revolver for firing proceed as follows:

- (a) remove lubricant from all the outer surfaces of the revolver as well as from the barrel bore and cylinder chambers and wipe the barrel bore dry;
- (b) examine the revolver and check it for proper functioning without cartridges;
- (c) adjust the firing and trigger mechanism, if necessary.

To adjust trigger pull, remove stocks and turn screw 47 (Fig.1) through the opening in the receiver with the help of a drift.

The engagement area of the hammer with the trigger is adjusted by screw 20 through the hole in the trigger guard, with the hammer cocked.

Trigger creep is adjusted upon release of the hammer by means of screw 72.

### 8.2. Cleaning and Lubrication

Inspect, clean and lubricate the revolver immediately after firing and during storage at least once every three months.

Clean the barrel bore from the muzzle end.

Clean the bores and cylinder chambers with alkaline solution by means of a bristle brush until powder deposit is completely removed.

Remove lead deposits from the barrel bore and bullet seat with a brass brush liberally coated with rifle oil.

After cleaning wipe dry the bore, cylinder chambers and all metal parts and coat them with a thin film of lubricant.

Wipe the wooden parts of the grip with dry waste.

## 9. Acceptance Certificate

The revolver has been tested in an indoor range.

During the test the revolver has been checked for:

- proper functioning of mechanisms;
  - close grouping of hits, when firing from an aiming rest.
- The results of the firing test are shown in Table 2.

Table 2

No. of group of ten shots	Dispersion diameter (close grouping of hits), mm
1	20
2	26
3	40
4	16
5	18

Mean 24, 0 mm

The sporting revolver TOZ-49, No. AEV0616 meets the Specifications and has been found fit for service.



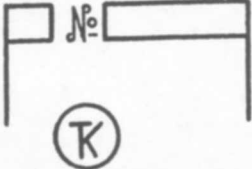
Shop Manager

Quality Inspector



### 10. Marking and Stamps

Table 3

Marking	Meaning
	Trade mark
TOZ-49	Revolver model
	Revolver model tested by State Test Station
	Revolver letter and No. Revolver accepted by Quality Inspector

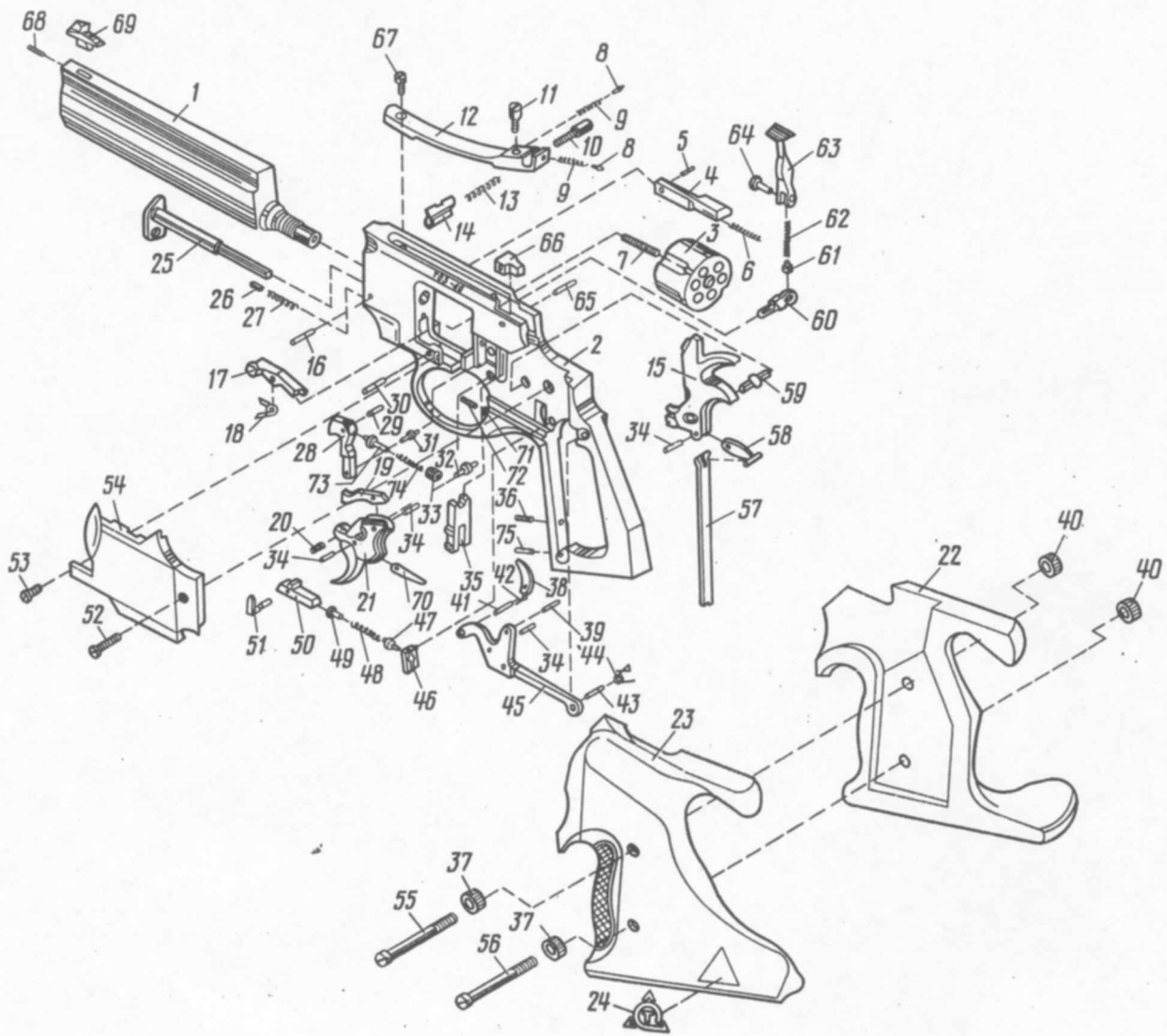


Fig.2 Revolver Parts



Ref. No.	Description	Designation
1	Barrel	·TOZ-49 001.001
2	Frame	TOZ-49 001.015
3	Cylinder	TOZ-49 000.001
4	Extractor	TOZ-49 000.021
5	Pin	TOZ-49 000.023
6	Spring	TOZ-49 000.022
7	Spring	TOZ-49 000.002
8	Lock	TOZ-49 006.006
9	Spring	TOZ-49 006.007
10	Screw	TOZ-49 006.004
11	Screw	TOZ-49 000.025
12	Rear sight leaf	TOZ-49 006.001
13	Spring	TOZ-49 006.003
14	Rear sight	TOZ-49 006.002
15	Hammer	TOZ-49 003.001
16	Pin	TOZ-49 000.024
17	Catch	TOZ-49 000.004
18	Spring	TOZ-49 000.006
19	Adjusting lever	TOZ-49 004.003
20	Screw	TOZ-49 004.004
21	Trigger	TOZ-49 004.001
22	Stock, right-hand	TOZ-49 000.027
23	Stock, left-hand	TOZ-49 000.026
24	Trade mark	TOZ-49 000.028
25	Pin	TOZ-49 000.019
26	Cylinder pin lock	TOZ-36 000.007
27	Lock pin spring	TOZ-36 000.009
28	Breech piece	TOZ-36 005.001
29	Bushing stud	TOZ-36 005.004
30	Cylinder catch pin	TOZ-36 000.005
31	Breech piece pin	TOZ-36 001.002
32	Trigger pin	TOZ-36 001.003
33	Breech piece sleeve	TOZ-36 005.002

Ref. No.	Description	Designation
34	Pin	TOZ-36 003.003
35	Locking lug	TOZ-36 000.011
36	Mainspring screw	TOZ-36 000.021
37	Washer 3 HO 5600-68	-
38	Pawl	TOZ-36 000.016
39	Pin	TOZ-36 008.004
40	Nut HO 5594-68	-
41	Pawl pin	TOZ-36 008.002
42	Pawl spring	TOZ-36 000.017
43	Side lever pin	TOZ-36 008.005
44	Side lever spring	TOZ-36 000.018
45	Side lever	TOZ-36 008.001
46	Trigger spring stop	TOZ-36 007.001
47	Stop screw	TOZ-36 007.002
48	Slide spring	TOZ-36 000.014
49	Mushroom-shaped piece	TOZ-36 000.008
50	Slide	TOZ-36 000.012
51	Side lever latch	TOZ-36 000.013
52	Cover screw	TOZ-36 001.014
53	Cover screw	TOZ-36 000.025
54	Cover	TOZ-36 001.013
55	Grip screw	TOZ-36 000.028
56	Grip screw	TOZ-36 000.034
57	Mainspring	TOZ-36 000.015
58	Link	TOZ-36 003.002
59	Hammer pin	TOZ-36 001.004
60	Access plate base	TOZ-36 001.007
61	Access plate lock	TOZ-36 001.009
62	Access plate spring	TOZ-36 001.011
63	Access plate	TOZ-36 001.008
64	Access plate screw	TOZ-36 001.012
65	Cap pin	TOZ-36 001.006
66	Stop cap	TOZ-36 001.005

Ref. No.	Description	Designation
67	Rear sight adjusting screw	TOZ-36 000.C12
68	Front sight adjusting screw	TOZ-35 001.011
69	Front sight	TOZ-36 000.001
70	Pusher	TOZ-36 004.002
71	Bushing	TOZ-36 000.024
72	Adjusting screw	TOZ-36 000.023
73	Striker	TOZ-36 005.003
74	Striker spring	TOZ-36 005.005
75	Pin	TOZ-36 000.003

Внешторгиздат. Изд. № П1613/2  
 Револьвер спортивный ТОЗ-49  
 Паспорт на англ. яз.

Типография ВТИ. Зак. № 17