

**TARGET
PISTOL
TO3-35M**

Certificate

TO3-35M 000.099 ПС

1. General

CAUTION! Before using the pistol study its description and handling rules laid down in the present Certificate.

Since efforts are continually made to improve the reliability and performance of the product, minor changes may be introduced without special notice.

2. Application

The T03-35M target pistol, cal. 5.6 mm is designed for sport shooting at stationary targets at a distance of 50 m in shooting galleries under any climatic conditions except damp tropics.

5.6-mm rim-fire cartridges are used with the pistol.

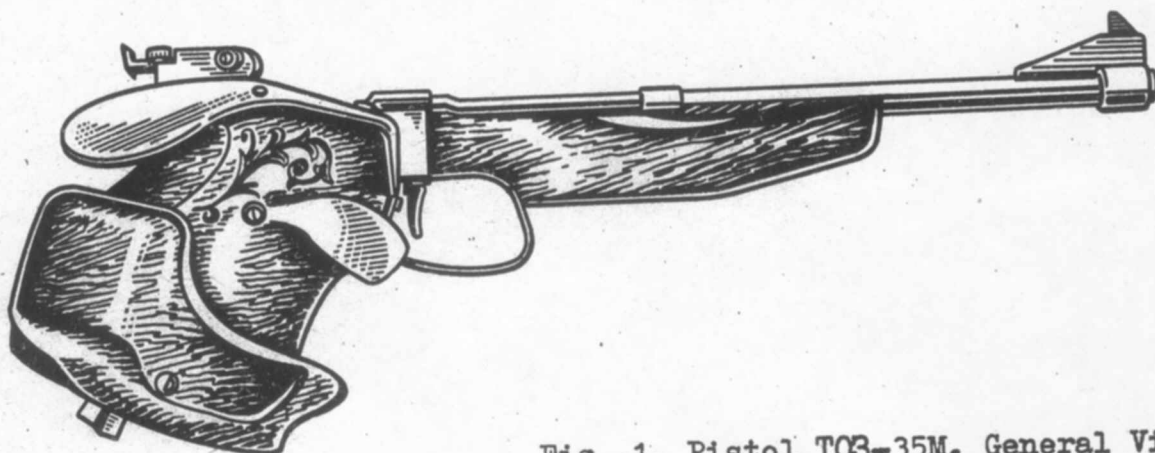


Fig. 1. Pistol T03-35M. General View

3. Specifications

Calibre, mm	5.6
Mean diameter of dispersion (close pattern) when firing five test groups of ten shots each from an aiming rest at a distance of 50 m, mm, not over:	
pistol cartridges TEMP	21
pistol cartridges OLYMP	17.5
Characteristics of sights:	
shift of mean point of impact (MPI) at a distance of 50 m when elevating and windage knobs are turned through one clock (with barrel 300 mm long), mm, not over	10
adjustment margin of rear sight position in any direction in zeroed pistol, mm, at least	0.7
Adjustment range of trigger creep, mm, within	0.2 to 1.0
Trigger pull adjustment range, H (kgf), within ...	0.1-0.75 (0.01-0.075)

Sighting radius, mm 375
 Barrel length, mm 300
 Pistol overall dimensions, mm 440x115x160
 Mass of pistol without accessories, kg, within ... 1.1 to 1.4

4. Standard Equipment
 Delivered with the pistol are:

Designation	Description	Qty
T03-35 000.021	Firing pin	1
T03-35 000.022	Mainspring	2
T03-35 000.024	Sear spring	1
T03-35 002.007	Spring	1
	Front sights, wide, mm:	
T03-35 001.006	4.5	1
T03-35 001.007	3.5	1
T03-35 001.008	5.0	1
T03-35 001.009	5.5	1
	Rear sights, wide, mm:	
T03-35 000.038	3.0	1
T03-35 000.039	2.75	1
T03-35 000.041	3.25	1
T03-35 000.042	3.4	1
	Screwdriver with plastic grip, blade width 7.5 mm	1
	Screwdriver, blade width 2.5 mm	1
	Drift pin, dia.. mm:	
	1.5	1
	2.5	1
	Cleaning rod	1
	Bristle brush 5.6	5
	Cotton waste 5.6	1
	Oiler	1
T03-35 003.030	Case for front and rear sights	1
T03-35 003.040	Case for pistol	1
T03-35M 000.099 HC	Certificate	1

5. Design and Principle of Operation

The barrel bore is locked by means of a tipping slide.

The barrel is connected with the receiver by a guide cylinder and a thread.

The rear sight provides for accurate windage and elevation adjustment.

The front and rear sights are replaceable.

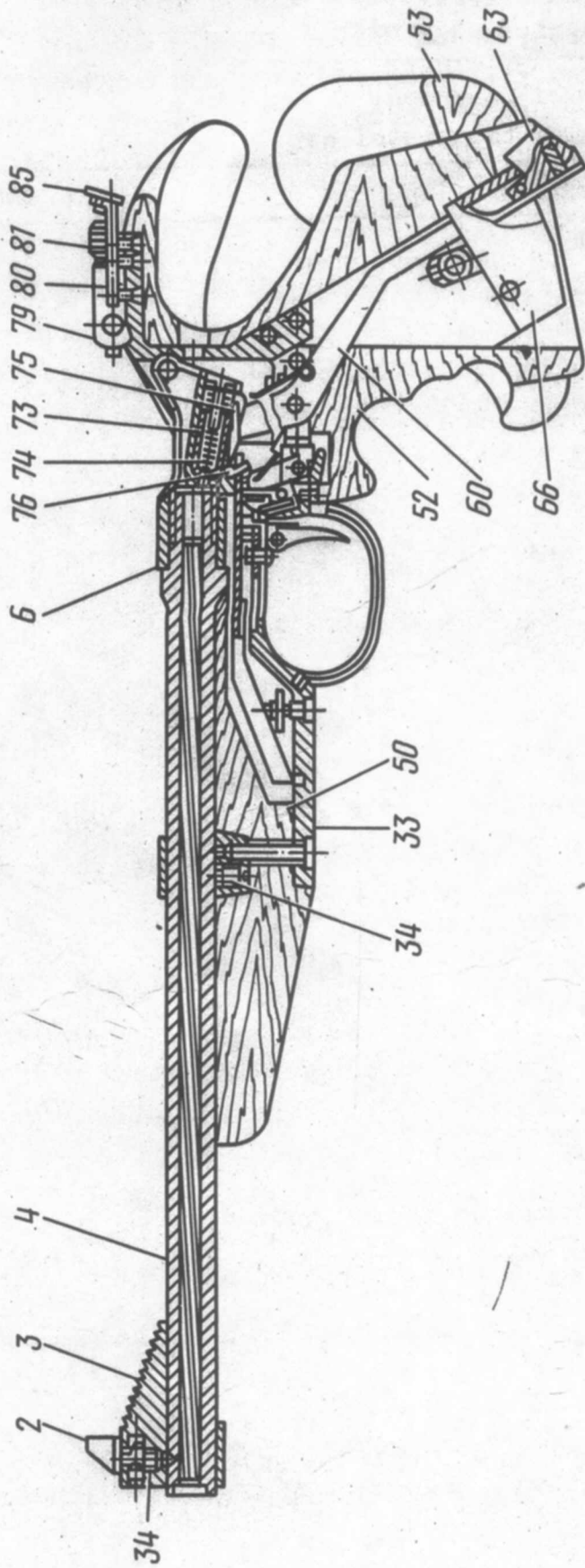


Fig. 2. Pistol (Cross-Section):

- 2 - front sight; 3 - base; 4 - barrel; 6 - receiver; 76 - sear lever; 74 - slide; 73 - firing pin; 75 - sear; 79 - rear sight body; 80 - sight leaf; 81 - elevating knob; 85 - rear sight; 53 - rest; 63 - latch; 66 - grip base; 60 - slide lever; 52 - right-hand stock; 50 - fore-end; 33 - accelerator housing; 34 - screw.

The firing mechanism is housed in the slide and is actuated by the accelerator, the latter being mounted on a separate base plate.

The accelerator is cocked by pressing down the cocking lever located on the pistol left side.

The trigger can be shifted along the accelerator housing and turned around the vertical pin.

The trigger pull and creep are adjustable.

The cartridge is fed to the chamber manually.

The cartridge is locked in the chamber by means of the slide when the slide lever is latched in its extreme rear position.

The slide is opened and the firing pin is cocked by shifting the slide lever to the extreme forward position.

The fired case is ejected by the extractor as the slide is opened.

The pistol grip of a special shape is made of walnut and is provided with an adjustable palm rest.

The pistol parts are shown in Fig. 4.

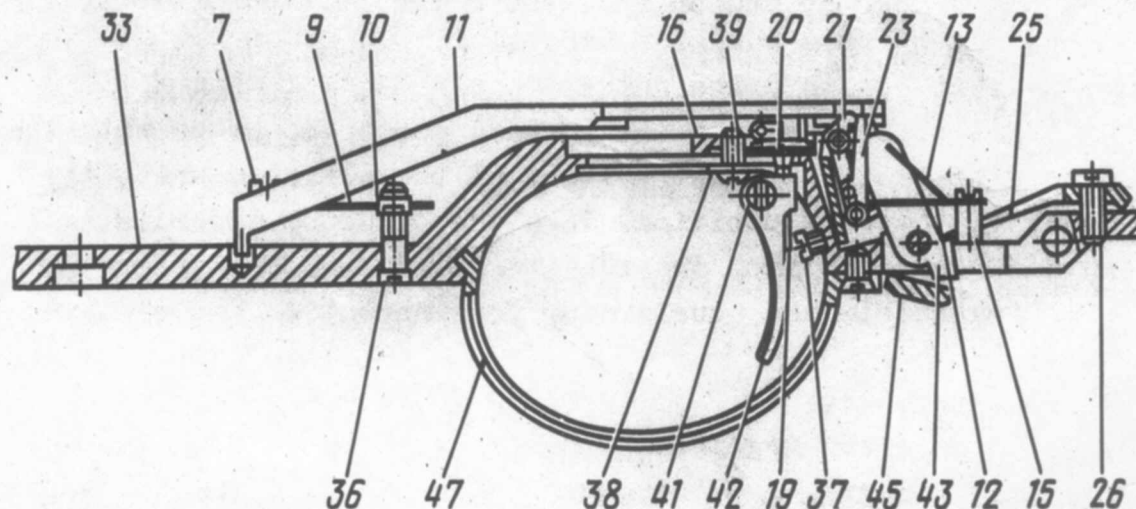


Fig. 3. Accelerator:

33 - accelerator housing; 7 - screw; 9 - spring; 10 - nut;
11 - big lever; 16 - slider; 39 - screw; 20 - sleeve; 21 - small
lever; 23 - middle lever; 13 - limiter; 25 - accelerator spring;
26 - screw; 15 - bushing; 12 - spring; 43 - accelerator firing
pin; 45 - cocking lever; 37 - screw; 19 - hair trigger;
42 - trigger; 41 - screw; 38 - washer; 47 - trigger guard;
36 - screw

6. Safety Precautions

The shooter should always consider his pistol as loaded and ready for firing.

CAUTION! Never point your pistol at people or domestic animals.

Keep the pistol unloaded, with the accelerator uncocked and the firing pin released. Store the ammunition in a safe place.

The shooter should observe the following safety rules:

- 1) do not use cartridges not intended for the given pistol;
- 2) no changes in shape, dimensions and interactions of parts and mechanisms of the pistol are allowed;
- 3) the shooting over, immediately unload the pistol;
- 4) sharp jolts and shocks are not allowed when the accelerator is cocked.

7. Disassembly and Assembly

Prior to disassembly, make sure the pistol is unloaded.

7.1. Disassemble the pistol for cleaning and lubrication in the following order:

- turn out screw 54 (Fig. 4) and remove the palm rest;
- turn out screws 56 and remove the right-hand stock;
- turn out screws 56 and 58 and remove the left-hand stock;
- remove nut 65 from the grip base slot;
- use a drift pin to drive out slide pin 72;

shift the slide lever to the forward position, press with the index finger against the front portion of the slide to shift the slide lever to the rear position. Take the slide by its raising rear end and remove it from the receiver.

7.2. Disassemble the accelerator for inspection and cleaning as follows:

- turn out screw 49;
- draw the fore-end together with the accelerator from the barrel towards the grip and detach the fore-end from the accelerator.

7.3. Assemble the pistol in the following order:

connect the accelerator with the fore-end and fastened it to rest 5 with screw 49 (Fig. 4);

pull the slide lever to the extreme rear position and latch it; tilt down the front end of the slide to insert the latter into the receiver;

press against the slide rear end to shift the slide lever forward until the cylindrical portion of the slide is mounted on the respective surface of the receiver;

close the slide by its lever and insert the slide pin;
place the right-hand stock in position and secure it with
screws 56;
place nut 65 in the grip base slot;
mount palm rest 53 on the right-hand stock and fasten it with
screw 54 and nut 65;
place the left-hand stock in position and secure it with
screws 56 and 58.

7.4. The position of the palm rest is adjusted by shifting it
along the right-hand stock, with screw 54 being loosened.

7.5. The assembly over, check the pistol mechanisms for
proper functioning.

7.6. Complete disassembly and assembly of the pistol are
resorted to in case of extreme necessity and only at an armourer's
shop.

8. Handling and Care

The service life of the pistol and trouble-free operation of
its mechanisms largely depend upon skilful and careful handling.

The pistol mechanisms should always be coated with a thin
layer of rifle oil.

8.1. Preparation for firing

To prepare the pistol for firing proceed as follows:

disassemble the pistol, remove the oil from the external sur-
faces of the pistol and from the barrel bore;

assemble the pistol, inspect it and check the trigger mecha-
nism for proper operation;

check the trigger pull and creep and, if necessary, adjust
them with screws 36 and 37 (Fig. 4).

8.2. Cleaning and Lubrication

Inspect, clean and lubricate the pistol immediately after
firing and further, if the pistol is not used, at least once in
three months.

During inspection make sure that the screws are reliably
tightened.

Clean the barrel bore and the chamber with alkaline solution
by a bristle brush until the powder fouling is completely removed.

The cleaning over, wipe dry the barrel bore, chamber and
metal parts and coat them with a thin layer of oil.

Clean the barrel bore through the opening in the grip without
disassembly of the pistol.

Wipe the wooden parts with dry cotton waste.

9. Acceptance Certificate

The pistol has been fire-tested in the indoor range for:

- proper functioning of the mechanisms;
- close pattern of shoot by firing from an aiming rest;
- adjustment margin of the rear sight position.

The firing test results:





No. of group of ten shots	Dispersion diameter (close pattern), mm
1	17
2	19
3	21
4	20
5	14
Mean	18,2

The T03-35M target pistol, Manufacturer's No. 89 1038 meets the technical Specifications and is found fit for use.

Date, manufactured 30.09.89

Accepted by [Signature]

10. Marking and Stamps

Mark	Meaning
T03-35M	Pistol model
	Model tested at State Test Station
	Two last figures of year of manufacture and test, number of pistol
22 LR	Designation of powder used
	Pistol strength checked by test cartridges
	Pistol accepted by quality inspector

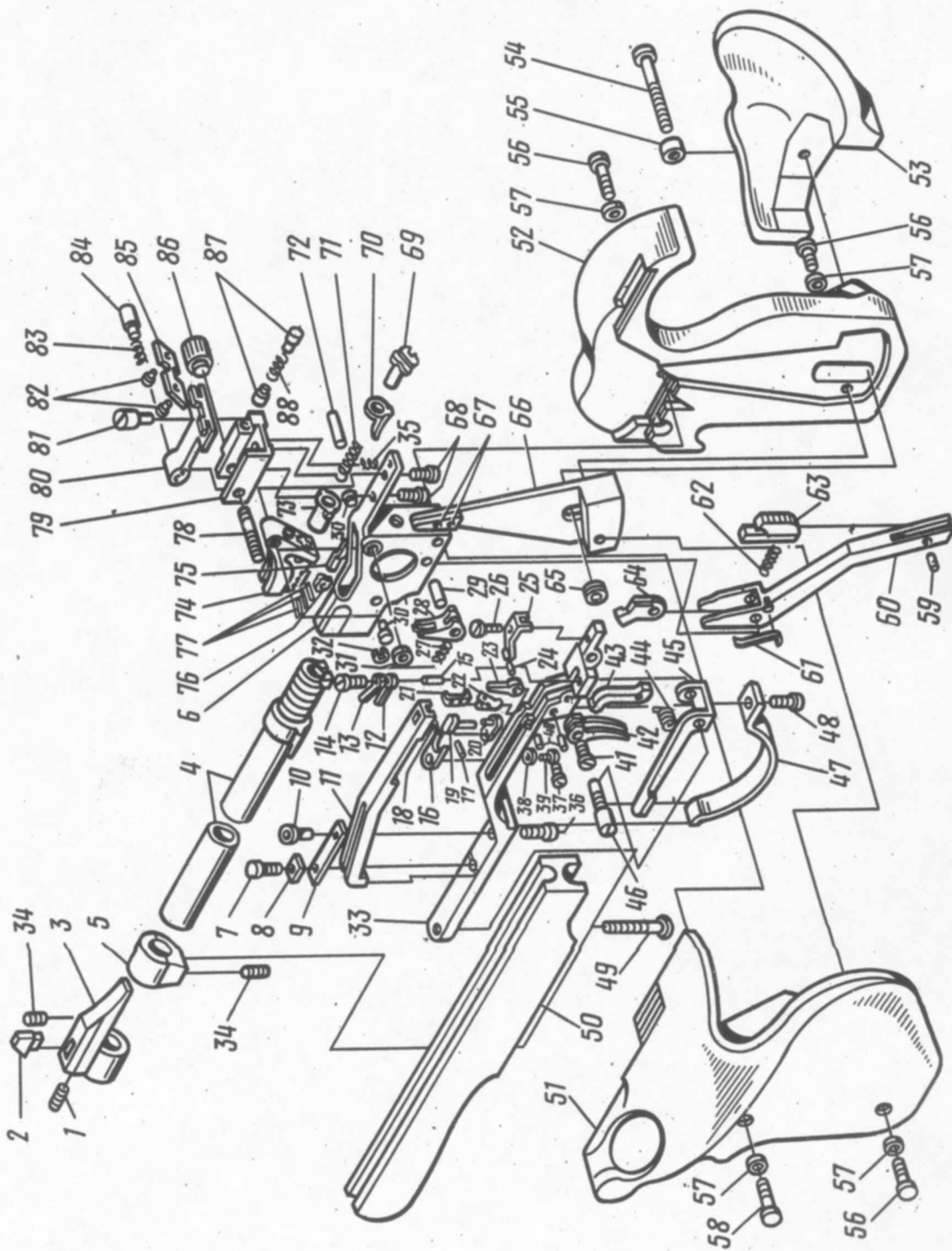


Fig.4

◀ Fig. 4. Target Pistol T03-35M:

Ref. Nos	Designation	Description
1	T03-35 001.011	Screw
2	T03-35 001.005	Front sight
3	T03-35M 001.015	Base
4	T03-35M 001.012	Barrel
5	T03-35M 001.017	Rest
6	T03-35 001.013	Receiver
7	-	Screw B.M3-6gx5.56.05
8	T03-35 002.028	Washer
9	T03-35 002.027	Spring
10	T03-35 002.002	Nut
11	T03-35 002.026	Big lever
12	T03-35 002.007	Spring
13	T03-35 002.008	Limiter
14	-	Screw A.M2-6gx10.56.05
15	T03-35 002.009	Bushing
16	T03-35 002.003	Slider
17	T03-35 002.033	Pin
18	T03-35 002.032	Spring
19	T03-35 002.029	Hair trigger
20	T03-35 002.031	Sleeve
21	T03-35 002.004	Small lever
22	T03-35 002.005	Rest lever
23	T03-35 002.034	Middle lever
24	T03-35 002.035	Pin
25	T03-35 002.015	Accelerator spring
26	-	Screw B.M3-6gx8.56.05
27	T03-35 001.003	Extractor spring
28	T03-35 001.001	Extractor
29	T03-35 000.001	Pin
30	T03-35 001.002	Extractor pin
31	T03-35 000.002	Slide pin sleeve
32	T03-35 000.003	Lock spring
33	T03-35 002.001	Accelerator housing
34	T03-35M 001.018	Screw
35	T03-35 000.049	Spring
36	T03-35 002.022	Screw
37	T03-35 002.017	Screw
38	T03-35 002.012	Washer
39	T03-35 002.023	Screw
40	T03-35 002.019	Pin
41	-	Screw A1 M2-6gx7.56.05

Ref. Nos	Designation	Description
42	T03-35 002.018	Trigger
43	T03-35 002.006	Accelerator firing pin
44	T03-35 002.016	Cocking lever spring
45	T03-35 002.014	Cocking lever
46	T03-35 002.021	Cocking lever pin
47	T03-35 002.013	Trigger guard
48	T03-35 002.023	Screw
49	T03-35 000.015	Screw
50	T03-35 000.009	Fore-end
51	T03-35 000.012	Left-hand stock
52	T03-35 000.011	Right-hand stock
53	T03-35 000.013	Rest
54	T03-35 000.007	Screw
55	-	Washer 5
56	T03-35 000.005	Screw
57	-	Washer 3
58	T03-35 000.006	Screw
59	T03-35 000.048	Pin
60	T03-35 000.045	Slide lever
61	T03-35 000.016	Spring
62	T03-35 000.047	Spring
63	T03-35 000.046	Latch
64	T03-35 000.017	Rest plate
65	T03-35 000.008	Nut
66	T03-35 001.014	Grip base
67	-	Rivet 3x12.03.15.05
68	T03-35 000.014	Screw
69	T03-35 000.023	Mainspring stop
70	T03-35 000.024	Sear spring
71	T03-35 000.022	Mainspring
72	T03-35 000.004	Slide pin
73	T03-35 000.021	Firing pin
74	T03-35 000.019	Slide
75	T03-35 000.040	Sear assembly
76	T03-35 000.026	Sear lever
77	T03-35 000.027	Pin
78	T03-35 000.031	Rear sight pin
79	T03-35 000.028	Rear sight body
80	T03-35 000.029	Sight leaf
81	T03-35 000.034	Elevating knob
82	T03-35 000.043	Rear sight screw
83	T03-35 000.044	Spring

Ref. Nos	Designation	Description
84	T03-35 000.032	Guide rod
85	T03-35 000.037	Rear sight
86	T03-35 000.033	Windage knob
87	T03-35 000.035	End piece
88	T03-35 000.036	Spring

Внешторгиздат. Изд. № П1347/2
Пистолет целевой Т03-35М
Паспорт на англ. яз.
ВГИ. Зак. П164