



PISTOL MODEL NP20

9×19mm PARABELLUM

NP20



INSTRUCTION MANUAL

MADE IN CHINA BY NORINCO

READ MANUAL BEFORE LOADING OR FIRING YOUR PISTOL.

*** FEATURES:**

The model NP20 pistol is a semi — auto 9 × 19mm gas — retarded inertia action firearm. The NP20 is equipped with several safety features: manual thumb safety, magazine safety and firing pin safety.

NOTE: No safety device can protect from careless handling of a firearm. Check all firearms to determine whether they are loaded or not. Point in safe direction. Be sure of your target. Firearms are dangerous.

*** FIRING OPERATION:**

1. Press the magazine catch down and remove the magazine. Load the cartridges into the magazine. **NOTE:** Only use 9 × 19mm parabellum ammunition of good quality in your pistol. Failure to do so can cause damage to the firearm and injury to the shooter or bystander.

2. Insert the loaded magazine into the pistol. Turn the manual thumb safety to the firing position. Now you can operate your pistol according to the following method:

Hold the pistol in one hand and pull the slide back all the way to the rear with the other. Release the slide allowing it to load the firing chamber. Squeezing the trigger will cause the

pistol to fire. (See Fig. 1)



Fig. 1

NOTE: Only load your pistol when you intend to fire it. When loaded and not firing, the manual thumb safety should be engaged.

After the last round is fired the slide will stay open. By inserting a loaded magazine and depressing the slide release the pistol will be loaded (See Fig. 2)



Fig. 2

*** UNLOADING:**

If you want to unload the pistol, remove the

magazine, pull the slide back fully to eject the loaded round. Be sure to point your pistol in a safe direction. Check the chamber to be sure it is unloaded.

*** REAR SIGHT ADJUSTMENT:**

Adjust the rear sight with a small screw driver. Move the rear blade in the direction you wish the bullet to impact.

*** DISASSEMBLY:**

Be sure your pistol is unloaded before disassembly.

1. Remove magazine.

2. When disassembling the pistol pull the slide back to the slide stop position, then turn the manual safety to the disassembly position. pull the slide to the rear while lifting upwards on the slide. This will remove the slide from the frame (See Fig. 3)



Fig. 3

No further disassembly is required or recom-

mended.

*** CLEANING:**

Be sure the pistol is unloaded. After firing your pistol it is advisable to thoroughly clean and lubricate it. Use a good quality bore cleaner to clean the barrel and gas piston, remove all powder and bullet fouling.

After cleaning the metal parts, wipe all metal surfaces with a light oil to protect from rust.

*** REASSEMBLY:**

Is in the reverse order of the disassembly. When assembling your pistol you must pay attention to the following:

A. The recoil spring cannot be slanted.

B. The gas piston must be aligned with the center of the gas cylinder

After assembly, turn the manual safety to the firing position or safe position.

WARNINGS:

Keep this and other firearms away from children. Remember firearms are dangerous. Always point your pistol in a safe direction. When not in use, store your pistol in a safe dry area.

If your pistol misfires, fails to function or safety fails, have your pistol checked by a competent gunsmith.

*** TECHNICAL SPECIFICATIONS:**

Operating principle

Recoil operated

Action

Retarded inertia action

Caliber	9×19mm Parabellum
Muzzle velocity	Approx. 1150 fps
Muzzle energy	Approx. 335 Ft. Pounds
Mode of fire	Semi—auto
Capacity of magazine	9 rounds

*** DIMENSIONS:**

Overall length	7.6"
Height of pistol	5.9"
Width of pistol	1.4"
Length of barrel	5"

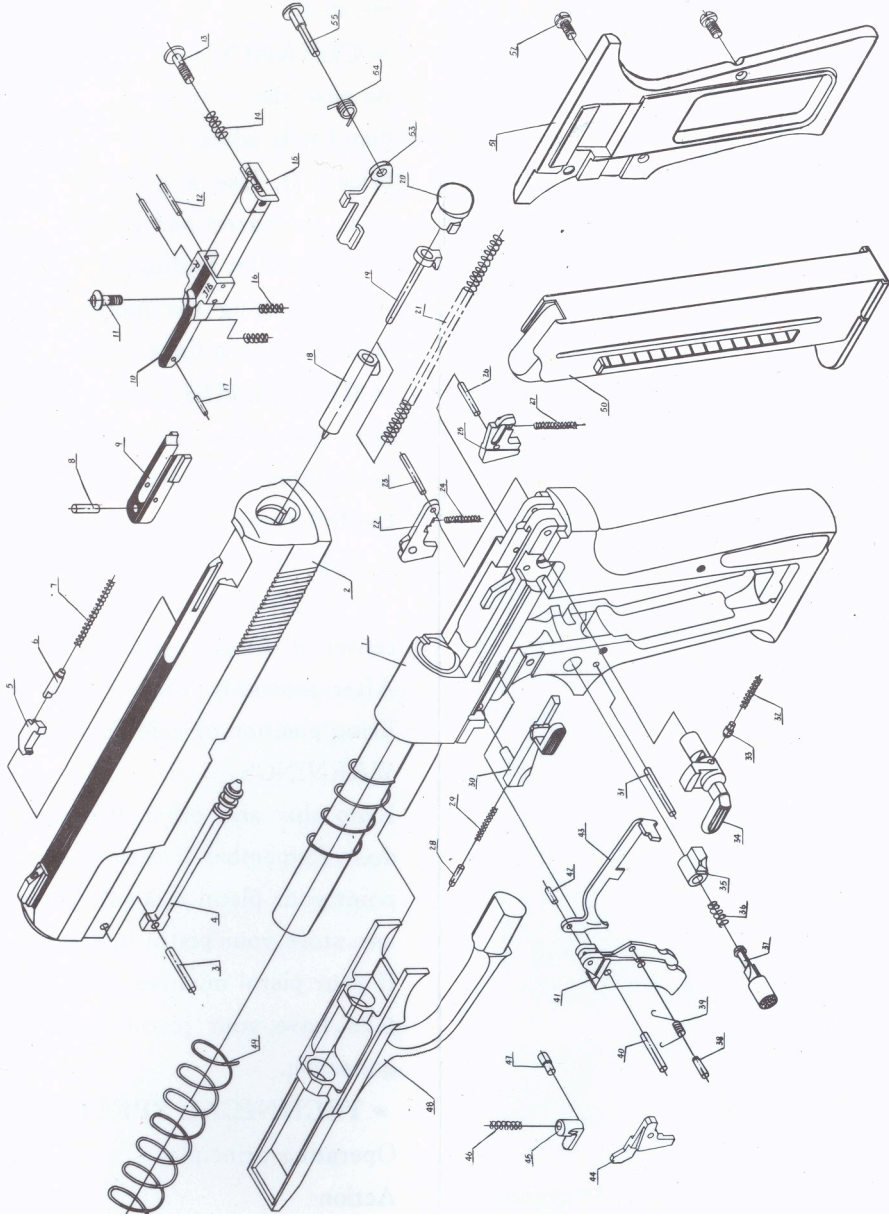
*** WEIGHT:**

Pistol with empty magazine	2.2 lbs
Pistol without magazine	2.1 lbs

*** PARTS LIST (Fig. 4)**

1. Receiver with barrel	2. Slide
3. Piston pin	4. Piston
5. Extractor	6. Extractor push rod
7. Extractor spring	8. Rear sight frame
9. Sight setting rod	10. Rear sight base
11. Adjusting screw A	12. Rear sight pin
13. Adjusting screw B	14. Screw B spring
15. Rear sight	16. Screw A spring
17. Base pin	18. Firing pin
19. Firing pin spring rod	
20. Rear plunger	21. Firing pin spring
22. Disconnecter	23. Disconnecter pin
24. Disconnecter spring	25. Sear
26. Sear pin	27. Sear spring
28. Slide retainer push rod	

Exploded View of the Model NP20



29. Slide retainer spring
30. Slide retainer
31. Guard pin
32. Safety spring
33. Safety push rod
34. Safety catch
35. Magazine catch
36. Magazine catch spring
37. Magazine catch pin
38. Trigger spring pin
39. Trigger spring
40. Trigger pin
41. Trigger
42. Trigger lever pin
43. Trigger lever
44. Safety lever
45. Firing pin safety
46. Firing pin safety spring
47. safety pin
48. Guard
49. Recoil spring
50. Magazine assembly
51. Right grip plate
52. Grip screw
53. Magazine safety
54. Magazine safety spring
55. Magazine safety rod