

## NORINCO M93 SPORTSMAN .22 CAL



# INSTRUCTION AND SAFETY MANUAL M93 SPORTSMAN

## **WARNING!**

**READ THIS MANUAL  
CAREFULLY BEFORE  
USING YOUR PISTOL**

DO NOT DISCARD THIS MANUAL. KEEP IT WITH  
YOUR FIREARM. UPON CHANGE OF OWNERSHIP,  
TRANSFER THIS MANUAL WITH THE FIREARM.

## SPECIFICATIONS

### M-93 SPORTSMAN

Caliber: .22 Long Rifle  
Magazine capacity: 10  
Barrel: 4.6 inches long, 6 grooves,  
right-hand twist  
Overall length: 8.6 inches  
Weight, empty: 26.1 oz.  
Weight, loaded: 27.3 oz.

## TERMINOLOGY

**SLIDE:** The main upper portion of the pistol which moves backward and forward to operate the mechanism.

**FRAME:** The main lower body of the pistol upon which the slide reciprocates. The frame includes the grip.

**BARREL:** The cylindrical tube through which the bullet is propelled.

**BORE:** The hole through the barrel.

**CHAMBER:** The enlarged rear portion of the bore into which a cartridge is seated for firing.

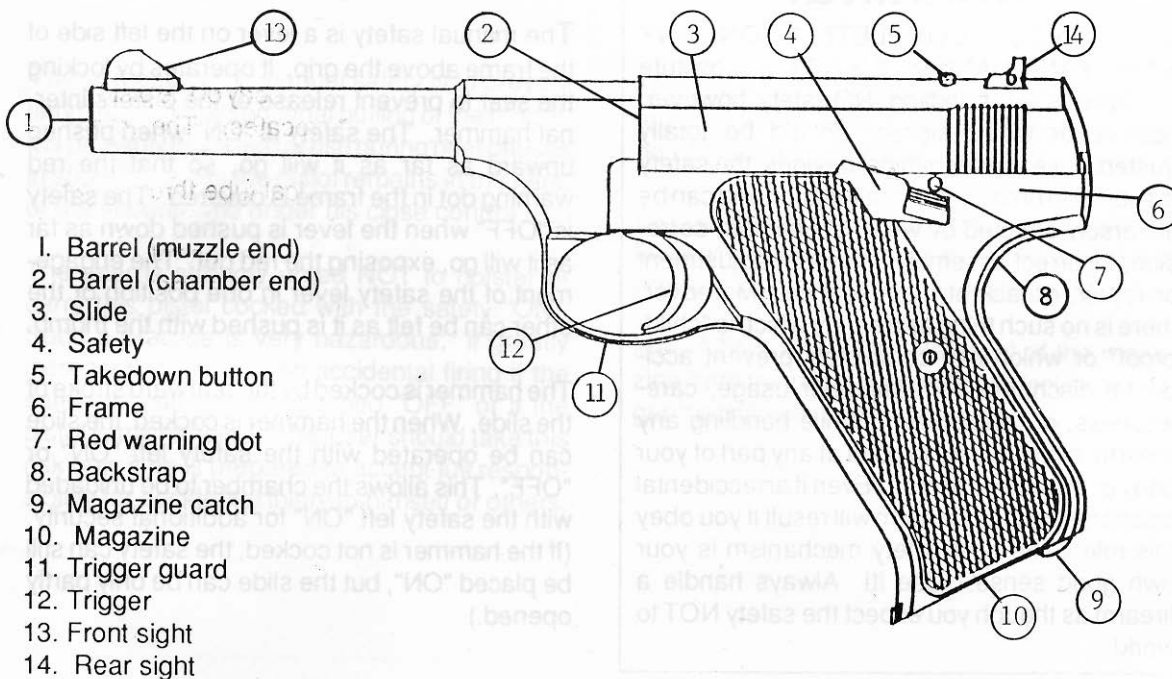
**MUZZLE:** The front end of the barrel from which the bullet emerges.

**MAGAZINE:** The box that is inserted into the grip and which holds cartridges to be fed into the chamber.

**LEFT, RIGHT, FRONT AND REAR:** Refer to the pistol as seen by a shooter holding it in the firing position.

1

## NOMENCLATURE



2

## USE OF THE SAFETY

### WARNING!

NEVER RELY COMPLETELY ON ANY SAFETY MECHANISM. It is NOT a substitute for cautious gun handling. NO safety, however, positive or well-designed, should be totally trusted. Like all mechanical devices, the safety is subject to breakage or malfunction and can be adversely affected by wear, abuse, dirt, corrosion, incorrect assembly, improper adjustment or repair, or lack of maintenance. Moreover, there is no such thing as a safety which is "child-proof" or which can completely prevent accidental discharge from improper usage, carelessness, or "horseplay". While handling any firearm, never allow it to point at any part of your body or at another person. Even if an accidental discharge occurs, no harm will result if you obey this rule. The best safety mechanism is your own good sense. Use it! Always handle a firearm as though you expect the safety NOT to work!

## TERMINOLOGY

The manual safety is a lever on the left side of the frame above the grip. It operates by locking the sear to prevent release of the pistol's internal hammer. The safety is "ON" when pushed upward as far as it will go, so that the red warning dot in the frame is covered. The safety is "OFF" when the lever is pushed down as far as it will go, exposing the red dot. The engagement of the safety lever in one position or the other can be felt as it is pushed with the thumb.

The hammer is cocked by the rearward stroke of the slide. When the hammer is cocked, the slide can be operated with the safety left "ON" or "OFF". This allows the chamber to be unloaded with the safety left "ON" for additional security. (If the hammer is not cocked, the safety can still be placed "ON", but the slide can be only partly opened.)

## USE OF THE SAFETY

The purpose of the manual safety is to prevent firing from an unintentional pulling of the trigger. It is primarily intended for use during brief pauses in shooting, while the pistol remains in the hand of the shooter and under his close control.

The user is strongly urged NOT to holster or carry this pistol cocked with the safety "ON". Such a practice is very hazardous; it greatly increases the risk of an accidental firing if the safety is inadvertently pushed "OFF" or if the pistol is mishandled. The user should take this risk only if he is prepared to accept full responsibility for accidental injury to himself or others.

The pistol is equipped with additional safety features which work automatically and require no operation by the user, including:

**FIRING PIN BLOCK:** Forward movement of the firing pin is automatically blocked at all times to prevent firing except when the trigger is pulled.

**MAGAZINE SAFETY:** Removal of the magazine from the pistol automatically locks the trigger mechanism to prevent firing.

## USE OF THE SAFETY

# WARNING!

1. Risk of an accident is greatly increased when any pistol, no matter how safely designed, is carried with a cartridge in the chamber. This practice is not recommended and may be justified only in circumstances of clear and present danger, when the pistol may immediately have to be used in self-defense. By far the safest procedure when carrying a loaded pistol is to leave the chamber empty.
2. Remember that whenever a cartridge is in the chamber, the hammer is cocked! A pull on the trigger will fire the pistol unless the safety is "ON". Whenever you have the chamber loaded, always push the safety lever "ON" if you are not prepared to shoot immediately. Leave the safety "ON" until the pistol is pointed at the target and you are ready to fire.
3. Always keep your finger off the trigger and point the muzzle in a safe direction when pushing the safety lever "ON" or "OFF"!
4. When applying the safety, be sure to push it fully into position. There is a red warning dot on the frame above the safety lever. When the safety is engaged, the red dot should be completely covered. Remember, "half-safe" is NOT safe.

## SAFETY AGAINST ACCIDENTAL FIRING FROM DROPPING

Like any other precision instrument of small size, this pistol can be damaged or broken by unusual abuse, such as by severe impact on a hard surface. It is important to recognize that it is impossible to make any firearm absolutely safe against drop firing under all circumstances, so long as a cartridge is loaded in the chamber. THIS RISK IS VIRTUALLY ELIMINATED BY THE SIMPLE PRECAUTION OF LEAVING THE CHAMBER EMPTY UNTIL YOU ARE READY TO SHOOT. In the event of any severe drop, the pistol should be checked by a competent gunsmith to ensure that no internal damage has occurred which may impair its safety or reliability.

## AMMUNITION

This pistol is designed to use .22 Long Rifle high velocity cartridges with standard 40-grain solid or 37-grain hollowpoint bullets, made by major United States ammunition manufacturers. Other .22 Long Rifle ammunition, including hyper-velocity loads, foreign or off-brand makes, and standard velocity cartridges, may or may not function acceptably. Because of the widely differing characteristics and performance of such other ammunition, we cannot accept responsibility for malfunctions resulting from the use of such ammunition.

# WARNING!

THE USE OF RELOADED, HAND-LOADED, "REMANUFACTURED", ALTERED, OR OTHER NON-STANDARD AMMUNITION VOIDS ALL WARRANTIES.

## LOADING

Press rearward on the magazine catch and pull the magazine out of the pistol. Hold the magazine in one hand and pull down with your thumb or finger on the magazine follower button just enough to make room for one cartridge. With the other hand insert a cartridge rim-first at the V-shaped slot in the lips and slide it back under the rear magazine lips. Repeat until the magazine is filled. Do not use undue force while loading; damaged or bent magazine lips will cause malfunctions.

Insert the loaded magazine into the pistol until it is retained by the magazine catch. If you intend to holster or carry the pistol, leave it like that until you are ready to shoot.

When you are ready to shoot, grip the pistol with your shooting hand, keeping your finger well away from the trigger and the muzzle pointed at the target or in a safe direction. With your other hand grasp the grooved surfaces on the slide

and pull the slide fully to the rear, then release it smartly. The slide will snap forward, stripping the first cartridge from the magazine and loading it into the barrel chamber. The pistol is now cocked and ready to fire. Unless you intend to fire instantly, push the safety lever "ON".

### NOTE:

WHEN CHAMBERING A CARTRIDGE, DO NOT "RIDE" THE SLIDE FORWARD WITH YOUR HAND. LET IT SNAP CLOSED. IMPEDING THE SLIDE'S MOVEMENT MAY CAUSE A JAM. HOWEVER, WHEN CLOSING THE SLIDE ON AN EMPTY CHAMBER, CLOSE IT GENTLY.

## UNLOADING

Keep the pistol pointed at the target or in a safe direction! Push the safety lever "ON". Remove the magazine. Then pull back the slide smartly to eject any cartridge left in the barrel chamber. Hold the slide rearward and LOOK in the chamber and magazine opening to make sure the pistol is empty.

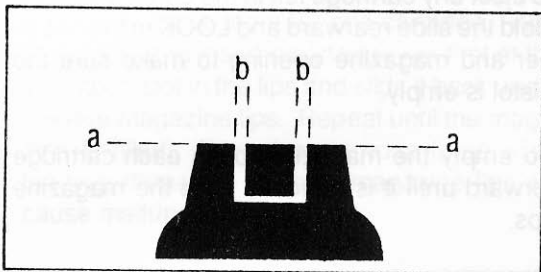
To empty the magazine, push each cartridge forward until it is released from the magazine lips.

### WARNING!

IMPORTANT! DON'T FORGET TO UNLOAD THE CHAMBER AFTER REMOVING THE MAGAZINE!

## AIMING

Hold the pistol at arm's length and align the sights as shown:



Note that the sights should be at even height (a) across the top, with an equal amount of light (b) showing on either side of the front sight.

If your shots consistently strike to the right or left of the aiming point, you should adjust the rear sight.

The rear sight can be adjusted for windage (horizontal correction) by first loosening the small set screw in the top of the sight and then turning the windage screw on the right-hand side. Turning the windage screw to the right (clockwise) moves the sight laterally to the right; turning it left (counter-clockwise) moves it left. Remember that the sight must be moved in the same direction as you wish to move the point of impact. For example, if the bullets strike to the right of the aiming point, then the point of impact needs to be moved to the left. The sight must therefore be moved to the left.

9

## FIRING

Insert a loaded magazine and chamber the first cartridge. Point the pistol at the target, then push the safety "OFF". Take aim and gently squeeze the trigger until the pistol fires.

After the first shot has been fired, the pistol will function semi-automatically, utilizing the recoil from each shot to push the slide rearward, extracting the fired cartridge case from the chamber and ejecting it from the pistol. The rearward movement of the slide also cocks the internal hammer. The forward return of the slide, under pressure from the recoil spring, strips the next cartridge from the magazine and feeds it into the chamber. The pistol is now ready to fire again. This cycle is repeated each time the trigger is squeezed. The slide remains open after the last shot to signal that the magazine is empty.

If shooting is to be continued, push the safety "ON". Remove the empty magazine and insert the next loaded magazine. Keeping your finger away from the trigger, and with the pistol pointed at the target or in a safe direction, press down the slide release with your trigger finger (or your thumb if you are left-handed). The slide may also be released by an alternate method: pull the slide rearward slightly with your free hand and let go.

The slide will snap forward, chambering the first cartridge. The hammer will be cocked, and the pistol is ready to resume firing as soon as the safety is pushed "OFF".

If shooting is not to be continued, remove the empty magazine. Carefully look in the chamber and magazine opening to make certain the pistol is empty. Pull the slide back slightly and let it close gently.

10

## FIRING

# WARNING!

Do not assume that the pistol is empty merely because the slide remains open. A cartridge or fired case jammed between the slide and the barrel can also prevent the slide from closing. Always LOOK in the chamber to make sure!

If, after firing some shots, the pistol fails to fire when the trigger is pulled, never assume that you are out of ammunition. Normally the slide will remain open after the last shot; if the slide is closed, assume the pistol is still loaded! In either case, keep the pistol pointed at the target until you LOOK in the chamber.

If the slide is jammed open by a cartridge that fails to feed or a fired cartridge case that fails to

eject, clear the stoppage as follows:

**KEEP THE MUZZLE POINTED AT THE TARGET IN A SAFE DIRECTION!** Push the safety "ON". First remove the magazine. Then pull back the slide and while holding it rearward, tilt the pistol upside down and try to shake out the jammed cartridge or fired case. If that fails, lock the slide to the rear by pushing up the slide release. Then use your free hand to clear the jam with your fingers.

If shooting is temporarily discontinued while some cartridges remain in the magazine, always immediately push the safety "ON" BEFORE moving the muzzle away from the target.

## TRANSPORT, CLEANING AND STORAGE

1. When transporting your firearm to and from shooting activities, keep it unloaded for your own safety and for the safety of others.
2. Your pistol is delivered factory-packaged and preserved with a light coating of protective grease and oils. Clean off all packing grease and oil before using the pistol.
3. After shooting clean the barrel and chamber thoroughly with bore solvent, using a bronze brush if necessary. Dry and oil lightly. Always check to be sure that no cleaning patch or other obstruction remains in the bore or chamber!
4. Use a small brush, cotton swabs, or a cloth patch soaked with solvent to clean all exposed internal surfaces. Pay particular attention to the slide face (where the firing pin protrudes to strike the cartridge rim) and under the extractor hook. A sharpened wooden stick is useful to remove carbon deposits lodged in corners without scratching the finish.
5. Lubricate moving parts sparingly with a light, high quality gun oil. Be sure to include the

contact points between the slide and frame. Wipe off any excess oil.

6. After reassembly, wipe the exterior of the pistol with a cloth moistened with a light gun oil. This will remove finger marks and prevent rust.
7. Before next using your pistol, wipe all oil from the bore and chamber. Remember, the bore and chamber must be free of oil before firing.
8. "Dry-firing" can be harmful. Avoid unnecessary dry-firing, as it may cause firing pin breakage and/or deformation of the chamber mouth. A good rule to follow is to dry-fire only to relieve spring tension on the hammer when the pistol is put away after use. A small piece of heavy paper (such as a business card) or the plastic "STOP" tag originally attached to your pistol can be inserted between the slide and the barrel before pulling the trigger to help absorb the impact of the firing pin and prevent damage.
9. When storing your firearm, keep it separated from ammunition, under lock and key if possible, and out of the reach of children and other inexperienced or unauthorized persons.

## DISASSEMBLY

Before you begin to disassemble your pistol, always double-check to make sure it is empty.

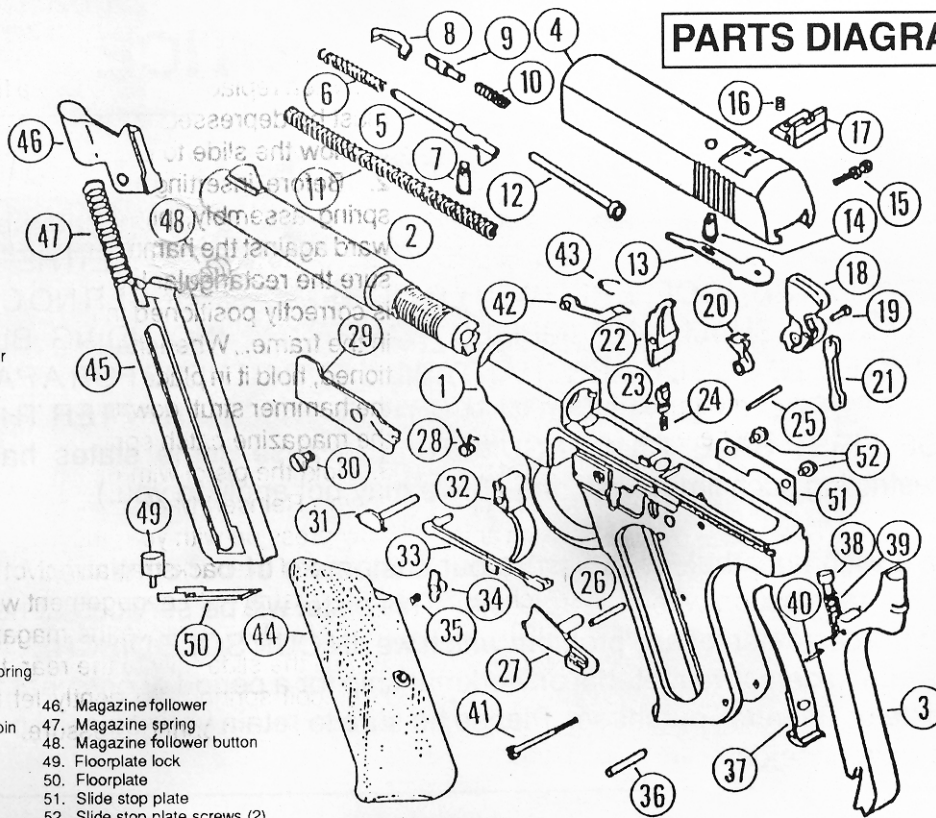
1. Push the safety "ON".
2. Remove the magazine.
3. Pull the slide fully to the rear. While pressing down on the takedown button in front of the rear sight, push the slide forward. The slide should close without spring tension.
4. Push firmly upward with your thumb on the backstrap at the spot where it is serrated. This will release the backstrap from the bottom of the frame near the magazine catch. Pull the backstrap out of the frame. The magazine catch and spring assembly can then be lifted out. (Caution: with the backstrap removed, the catch can fall out quite easily; take care it is not lost).
5. The slide can now be taken off the frame.

No further disassembly is required for routine cleaning. To reassemble, reverse the above procedure, noting that:

1. When replacing the slide, the firing pin block must be depressed with a small pointed object to allow the slide to override it.
2. Before inserting the magazine catch and spring assembly, pivot the hammer strut upward against the hammer, out of the way. Make sure the rear ear lug of the magazine catch is correctly positioned in its corresponding slot in the frame. When the catch is correctly positioned, hold it in place with your finger and pivot the hammer strut downward so it rests against the magazine catch spring.
3. Hold the pistol with muzzle pointed straight down. Reinsert backstrap, upper portion first. Now press up with your thumb on the serrated surface of the backstrap and pivot the bottom of the backstrap into engagement with the cross-pin on the frame above the magazine catch.
4. Pull the slide fully to the rear to re-engage the recoil spring, and gently let the slide run forward under spring pressure. Reinsert the magazine.

13

1. Frame
2. Barrel
3. Back strap
4. Slide
5. Firing pin
6. Firing pin spring
7. Firing pin screw
8. Extractor
9. Extractor plunger
10. Extractor spring
11. Recoil spring
12. Recoil spring guide
13. Assembly lock
14. Assembly lock plunger
15. Windage screw
16. Windage lock screw
17. Rear sight
18. Hammer
19. Hammer strut pin
20. Firing pin block retractor
21. Hammer strut
22. Sear
23. Firing pin block
24. Firing pin block spring
25. Firing pin block pin
26. Sear pivot pin
27. Safety
28. Trigger spring
29. Side plate
30. Side plate screw
31. Trigger pivot
32. Trigger
33. Trigger bar
34. Magazine safety
35. Magazine safety spring
36. Backstrap seat pin
37. Magazine catch/sear spring
38. Hammer spring guide
39. Hammer spring
40. Hammer spring guide pin
41. Grip screw
42. Slide stop
43. Slide stop spring
44. Grip panel (left & right)
45. Magazine shell
46. Magazine follower
47. Magazine spring
48. Magazine follower button
49. Floorplate lock
50. Floorplate
51. Slide stop plate
52. Slide stop plate screws (2)



14



# IMPORTANT NOTICE

## WARRANTY STATEMENT

Due to the proliferation of requirements imposed by federal and many state laws on consumer warranties, NO EXPRESS WARRANTY, EITHER "FULL" OR "LIMITED" IS OFFERED WITH THIS PRODUCT. UNDER NO CIRCUMSTANCES SHALL ANY IMPLIED WARRANTY, INCLUDING BUT NOT LIMITED TO ONE OF MERCHANTABILITY OR FITNESS FOR A PARTICULAR PURPOSE, EXTEND LONGER THAN ONE YEAR AFTER THE DATE OF FIRST SALE TO CONSUMER. (Because some states have laws restricting such limitations, the above may not apply to you.)

We wish nonetheless to assure our customers of our continued interest in their satisfaction with our products. This pistol will be serviced at no charge to the customer for any problem which we, IN OUR SOLE DISCRETION, find is due to defective material or workmanship for a period of one year from the date of first retail purchase. Please be sure to retain your sales slip as proof of purchase date.