

New Haven



MODEL 240C

.22 CALIBER
HAMMERLESS BOLT ACTION RIFLE
WITH 7 SHOT CLIP

FEATURES

1. Walnut finish stock with molded butt plate and trigger guard.
2. 24" tapered, blued steel barrel with crowned muzzle and AC-KRO-GRUV rifling. Handles .22 caliber short, long, and long rifle ammunition.
3. 7 shot "magic" magazine that adjusts to different length cartridges with flip of fingers.
4. Convenient thumb operated safety.
5. Receiver milled with dovetail slots for telescope mounting.
6. 1" Sling Swivels.
7. Sporting Rear Sight with adjustment for windage elevation.
8. Beaded Front Sight.
9. Weight about 5 $\frac{3}{4}$ lbs.

CAUTION

Be sure the take down screw in the stock is firmly tightened at all times, shooting the rifle with this screw loose may result in loss of accuracy.

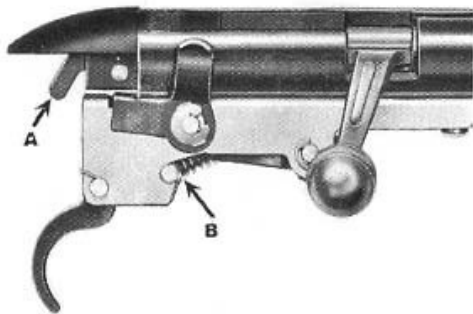
Always be sure there is no obstruction in the barrel such as water, mud, cleaning patch, etc., before shooting.

Do not "dry fire" since this has a tendency to crystallize the firing pin causing breakage.

- 1. TO LOAD** — Remove the Magazine by pressing back on the Magazine Latch and sliding the Magazine out. This rifle is equipped with a Magazine that will handle short, long, and long rifle cartridges. There are three notches in the top of the Magazine and a movable Adapter. By lifting up slightly on the Adapter, it may be moved to any one of the notches. The notch nearest the outside of the Magazine is for long rifle cartridges, the center notch is for long cartridges, and the notch nearest the center of the Magazine is for short cartridges. Before loading, be sure the Adapter is in the proper notch for the type of cartridge you intend to use. Do not mix cartridges in the same load.

Insert 7 cartridges in the Magazine and replace Magazine in the rifle.

- 2. SAFETY** — The Safety Lever is located on the right side of the Receiver. To take off safe push the Safety Lever forward. To put on safe pull the Safety Lever back. Rifle will not fire a cartridge until Bolt is locked.
- 3. TO DISASSEMBLE** — Remove Magazine. Loosen the take down screw and lift the action out of the stock. WITH THE BOLT IN THE CLOSED POSITION press forward on the Latch "A" on the under side of the Receiver Cap and at the same time pull back on the Receiver Cap and it will slide out. Lift up Bolt Lever and slide Bolt out thru back of Receiver. Be



careful not to pull the Trigger while the Bolt is out of the rifle or the Hammer will go up to the fired position and prevent the Bolt from being returned to the Receiver. If the Hammer should be

released to the fired position it may be returned to the cocked position as follows. Notice the position of the Hammer Spring "B". Push forward on the Plunger until it clears the notches in which it is resting and remove the Plunger and Spring. Pull the Trigger and the Hammer will drop down and hang out below the bracket. Insert the Bolt in the Receiver. Turn the rifle over and the Hammer will drop part way in. Pull the Trigger and the Hammer will fall the rest of the way in. Replace the Hammer Spring and Plunger.

- 4. TO ADJUST THE REAR SIGHT** — If the rifle shoots LOW, raise the Sight Leaf by sliding the Elevation Slide to the rear. If the rifle shoots HIGH, lower the leaf by sliding the Elevation Slide forward. If the rifle shoots to the LEFT, loosen the Windage Sighting Plate Screw and move the Plate to the right and then tighten the screw. If the rifle shoots to the RIGHT, loosen the Screw and slide the Plate to the left and then tighten the Screw.

MODEL 240C PARTS LIST

Part Number	Name	Price Each
1	171 Butt Plate Screw	\$.20
2	1425 Butt Plate	.70
4	2094 Swivel Loop & Bushing	.75
5	171 Swivel Screw	.20
6	3413 Stock Complete with Butt Plate, Trigger Guard and Swivels	11.00
7	147 Trigger Guard Screw	.20
8	1306 Trigger Guard	.70
9	147 Stock Plate Screw	.20
10	1191 Stock Plate	.40
11	503 Take Down Screw	.40
12	2384 Magazine	2.50
13	1259 Receiver Cap complete, includes 1165, 1199, 1200, 1201	1.50
	1165 Receiver Cap	.75
14	1200 Receiver Cap Latch	.35
15	1199 Receiver Cap Spring	.20
16	1201 Receiver Cap Pin	.25
17	1230 Bolt Retaining Ring	.20
18	1189 Bolt Collar	.25
19	1190 Bolt Plate	.40
20	2004 Bolt Lever	1.80
21	1465 Firing Pin	1.40
22	1467 Bolt Complete includes 1466, 1189, 1190, 1465, 2004, 1230, 421, 422	7.00
	1466 Bolt	3.00
23	422 Extractor, left	.40
24	421 Extractor, right	.40
25	3414 Barrel	9.00
	1237 Receiver	7.00
	3415 Barrel & Receiver	12.00
	5141 Sporting Rear Sight	1.50
26	1440 Windage Plate	.25
27	1441 Windage Plate Screw	.20
28	1453 Washer	.20
29	1439 Base	.40
30	2342 Elevation Slide	.30
31	2321 Beaded Front Sight	.85
32	1213 Take Down Stud	.30
33	1217 Retaining Ring for Hammer Pin, Hammer Plunger & Sear Pin	.20
34	1184 Angle Bar	.50
35	1232 Magazine Latch	.40
36	2993 Safety	.50
37	2995 Click Plate	.35
38	1561 Click Ball	.20
39	1268 Bracket Screw, front	.20
40	2996 Bracket	1.40
41	1192 Ejector	.50
42	1215 Trigger Pin & Hammer Pin	.35
43	3004 Safety Pin	.35
44	1260 Bracket Screw, rear	.20
45	1217 Retaining Ring	.20
46	1197 Hammer Plunger Guide	.40
47	1195 Hammer Spring	.25
48	1196 Hammer Plunger	.35
49	1194 Hammer	.75
50	1217 Retaining Ring	.20
51	1216 Trigger Spring	.20
52	1214 Trigger	.75
53	1212 Sear Pin	.25
54	1211 Sear	.75
	2100 Barrel Band Complete with Swivel	2.00
55	1642 Barrel Band	.20
56	1643 Swivel Screw	.20
57	1652 Swivel Pin	.20
58	2101 Loop & Link Assembly	.75
	175 Dummy Screw	.20

