



OWNER'S MANUAL 802 PLINKSTER™ .22 CAL BOLT ACTION RIFLE WITH DETACHABLE MAGAZINE

IMPORTANT "SAFETY WARNINGS" — NOTE THE SYMBOL:



THESE SAFETY WARNINGS ARE FOR YOUR PROTECTION AS WELL AS THE SAFETY OF OTHERS. DISREGARDING INFORMATION IN THIS MANUAL MAY RESULT IN SERIOUS INJURY OR DEATH.



Be certain this owner's manual is available for reference and is kept with this firearm if transferred to another party. If this manual is lost or misplaced, contact the Product Service Center for a free replacement copy.



After performing any work on your firearm such as cleaning, adjustments, disassembly or installation of any accessory, the firearm should be re-checked for proper functioning before firing live ammunition.



Firearms are complex mechanisms. Any modification, alteration, or improper fitting of parts may result in a dangerous malfunction, damage to the firearm and injury to the shooter and/or other persons. The firearm's owner must accept full responsibility for the correct reassembly and functioning of the firearm after any disassembly or replacement of parts.



If you do not understand any of the material in this manual or have any questions, contact Mossberg International directly or a qualified gunsmith.



Do not attempt to load or use any firearm until you have read and understood the information contained in its owner's manual. Before handling your firearm, you should learn how it operates and how to maintain it. This includes knowing its basic parts, how the manual safety and other safety features operate, how to safely open and close the action and how to safely load and unload ammunition from the firearm. Improper use and handling is dangerous and could cause serious injury or death to you or those around you. All users of the firearm must become thoroughly familiar with the instructions in this manual.

distributed by

MOSSBERG INTERNATIONAL, INC.

P.O. BOX 521 • 7 GRASSO AVENUE, NORTH HAVEN, CT 06473

PHONE (203) 230-5331 FAX (203) 230-5420

www.mossbergintl.com

Safety and safe firearms handling is everyone's responsibility.



As the owner of a firearm, you must undertake the full-time responsibility of safe firearms handling for your own safety and the safety of those around you:

- Keep all firearms and ammunition out of the reach of children.
- Store your firearms and ammunition separately.
- Never store a loaded firearm.
- Never leave a loaded firearm unattended.
- Never transport a loaded firearm in a vehicle
- Unload your firearm when you have stopped shooting and when you have to climb a tree, fence, cross a slippery surface or have to transport it in a vehicle.
- Do not load your firearm before you are in a place where it is safe to shoot, and keep your finger off the trigger until you are on target and have decided to fire.
- Never shoot at water, rocks or any hard surfaces. Bullets may glance off such surfaces and cause injuries.
- Do not use alcohol or drugs before or while handling firearms.
- Do not touch the trigger while the safety button is being engaged or disengaged.



Always point the muzzle of your firearm in a safe direction, regardless of whether the firearm is loaded or unloaded.



Always treat every firearm as if it were loaded. Give your firearm to someone with the action open, and the safety button pushed fully to the right to the “ON” (SAFE) position, after you verify the firearm is unloaded. Insist on the same procedure when receiving a firearm from someone else. Learn the location of all the safety features of your firearm and how they operate.



Wear eye and ear protection when shooting. Shooting without proper ear protection can cause hearing damage. The use of eye protection during any type of shooting is important to protect your vision.



When using a firearm with mounted optics, maintain an adequate distance between the rear of the scope and your face at all times. (Be certain the scope installation does not interfere with access to, or the proper functioning of the safety).



WE SPECIFICALLY DISCLAIM ANY RESPONSIBILITY FOR DAMAGE OR INJURY WHATSOEVER OCCURRING IN CONNECTION WITH, OR AS A RESULT OF, THE USE OF FAULTY, OR NON-SAAMI STANDARD, OR “REMANUFACTURED” OR HAND LOADED (RELOADED) AMMUNITION. ADDITIONALLY, WE DISCLAIM ANY RESPONSIBILITY FOR DAMAGE OR INJURY WHICH RESULTS FROM ANY MODIFICATIONS OR CHANGES THAT ARE NOT A PART OF THE FIREARM AS DELIVERED FROM THE FACTORY.



Learn to clean your firearm thoroughly and make certain no oil, grease or other materials are blocking the barrel. Obstructions of any kind can cause damage to the firearm resulting in serious personal injury to the shooter and/or others nearby.

Practice proper firearm maintenance and safety. Make sure all exposed metal surfaces are coated with a thin film of oil, especially after being exposed to damp weather. (See proper section of this manual for cleaning instructions.) Do not plug the barrel or store in a fabric-lined case, which will absorb lubricants from the firearm. Before using after storage, follow complete instructions stated in this manual for familiarization with the firearm. A thorough inspection should be performed before going into the field. Have your firearm periodically checked by a qualified gunsmith.

TABLE OF CONTENTS

	Page
General Information and Mechanical Characteristics	4
Unpacking Your Bolt Action Rifle	4
Manual Safety	5
To Install the Bolt in the Rifle	6
Magazine Installation	8
To Install Magazine	8
To Remove Magazine	8
To Load and Unload Magazine	9
Firing	10
Loading Single Cartridges	10
To Unload the Rifle	10
Removing the Bolt From the Rifle	11
Cleaning and Lubrication	11
Function Testing	13
Precautions and Care With Your Rifle	13
Rear Sight Adjustments	14
Service Instructions	15
Warranty Information	17
Parts List	18
Exploded View	19
Basic Rules of Safe Firearms Handling	Back Cover

GENERAL INFORMATION AND MECHANICAL CHARACTERISTICS

The 802 Plinkster™ is designed to operate with .22 long rifle cartridges of subsonic, standard, high or hyper velocities only.

When the rifle leaves the factory, its metal parts are protected by a coat of very adherent oil. This coating, especially inside of the barrel, must be removed before using the rifle. The oil on the outside surfaces should also be removed when the packing box has been opened because the oil is very sticky and it easily retains dust and other solid impurities from the air.

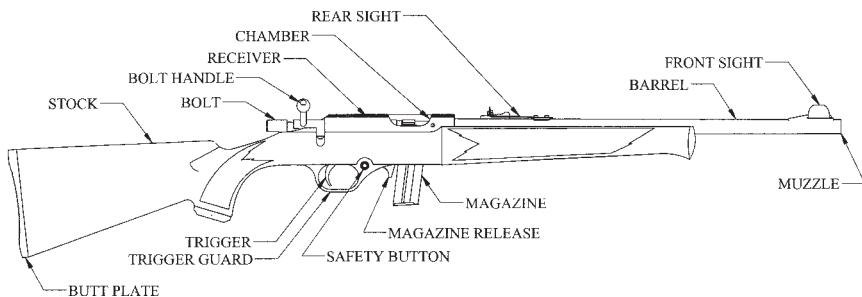


WARNING

Because this rifle can be used as a single shot, it will fire whether or not a magazine is in the rifle if a cartridge is chambered.

RIFLE WILL FIRE WITH MAGAZINE OUT.

Fig. 1



* The chamber is the rear most part of the barrel. It can only be seen when the bolt is in the “open” position.

OPERATING INSTRUCTIONS



Read and understand this entire manual and its safety warnings before firing the rifle.

UNPACKING YOUR BOLT ACTION RIFLE

When shipped from the factory the bolt is removed from the action and packed separately in the shipping carton. Before installing the bolt, visually and physically inspect the inside of the barrel and receiver to ensure they are free of any excess oil, grease or any obstructions. Obstructions of any kind can cause damage to the firearm and may result in serious personal injury to the shooter and/or others nearby.

MANUAL SAFETY



Remember, a firearm's manual safety is a mechanical device which can never replace safe firearm handling practices.

The safety button is located at the front of the trigger guard (Fig. 2) and must be manually moved to the desired position by the shooter.



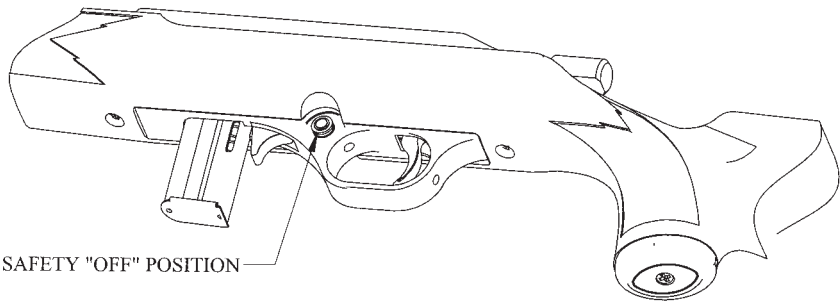
The safety is set in the "ON" (SAFE) position by pushing the button from the left side (side opposite the ejection port) so that it moves all the way to the right. The button must always be pushed fully to the right until it moves no further to be in the "ON" (SAFE) position.

The safety mechanism cannot be engaged unless the firing pin is cocked or the bolt is fully open.



Never rely on any mechanical mechanism or safety device to prevent the dangers of careless handling or pointing a firearm in an unsafe direction.

Fig. 2



Moving the safety button to the left will put the safety in the "OFF" (FIRE) position.



The safety button is designed to function only as described above and should not be reversed. Do not attempt to remove or reverse the button. Doing so will result in an unsafe condition which can cause serious injury or death.

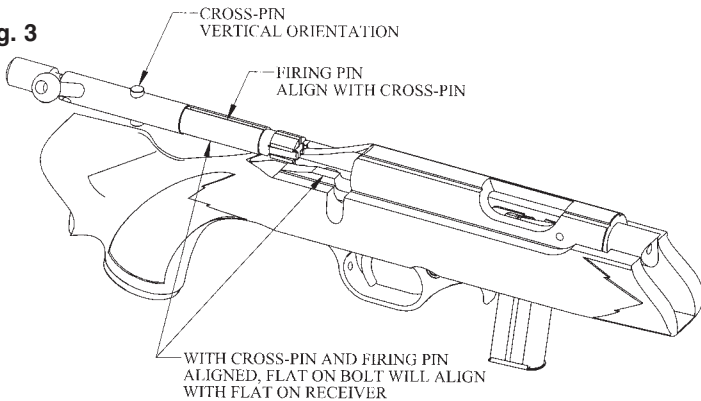
The safety button is marked with a red ring for training purposes as a reminder that moving it to the left with red showing is the "FIRE" position, moving it all the way to the right is the "SAFE" position. The safety can be activated only when the rifle is cocked or the bolt is fully open.

TO INSTALL THE BOLT IN THE RIFLE



Visually and physically check to make certain there is no ammunition in the chamber or magazine. Keep the muzzle pointed in a safe direction at all times.

Fig. 3



- Set the safety to the "OFF" (FIRE) position, by pushing the button all the way to the left. With the bolt handle pointing up and to the right, rotate the forward section of the bolt until the firing pin is aligned with the cross pin (Fig. 3).
- Push the bolt forward gently. The cross-pin in the bolt will pick up the groove in the receiver and stop against the back of the sear.
- Depress the trigger fully and push the bolt past the sear. Release the trigger and set the safety to the "ON" (SAFE) position. Push the bolt fully forward and rotate the bolt handle clockwise and down to the "closed bolt" position. Observe the end of the bolt. A gap exists between the head of the striker pin and the bolt body (see Fig. 4a) indicating that the firing pin is cocked (red dot shows). The rifle will fire if the safety button is moved to the left to the "OFF" (FIRE) position and the trigger is pulled. When the rifle is fired the gap between the head of the striker pin and the bolt body no longer exists (red dot does not show).



The red dot is not a safety and does not indicate whether or not a cartridge is in the chamber. You must visually and physically inspect the chamber to determine if the rifle is loaded.

Fig. 4a

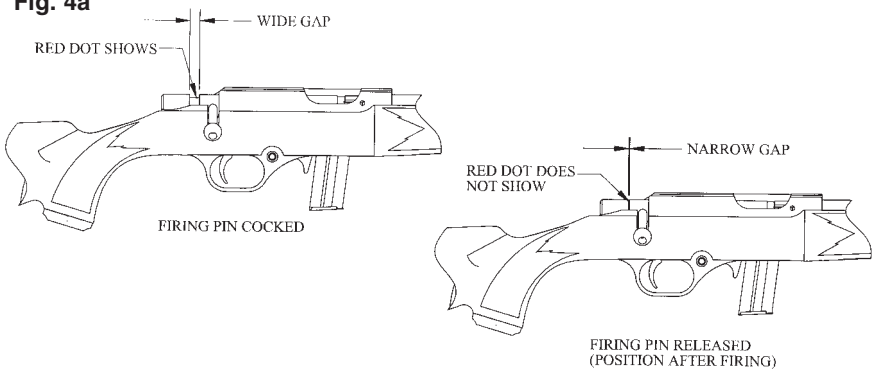
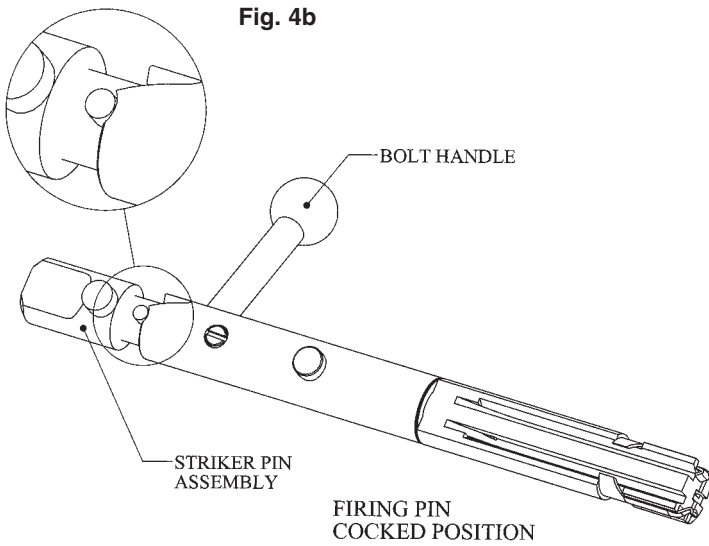


Fig. 4b



When the bolt is removed from the rifle, the striker pin assembly may become shifted into the released position. The bolt cannot be reinstalled in the receiver if the striker is in the released position. To recock the striker, hold the bolt handle, pull back on the striker and turn it clockwise to lock it in the cocked position. See Fig. 4b.

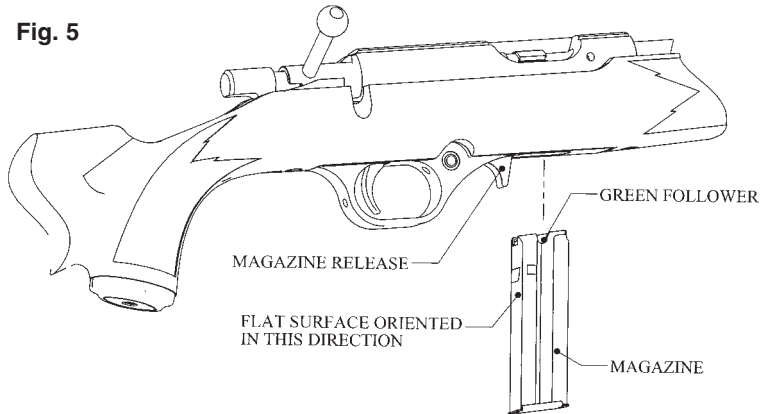
MAGAZINE INSTALLATION

Familiarize yourself with the rifle by installing and removing an unloaded clip magazine and by learning to keep the bolt in the open position.



Ensure the safety button is fully to the right to the “ON” (SAFE) position and check the chamber and the receiver area to be certain the firearm is unloaded.

Fig. 5



NOTE: Magazine for Mossberg International, Inc., 802 Plinkster™ (Green Follower) is not interchangeable with magazine from Mossberg International, Inc., 702 Plinkster® (Red Follower)

TO INSTALL THE MAGAZINE

Insert the unloaded magazine with the plastic cartridge follower end first and the long flat face of the magazine towards the magazine release. Push the magazine into place until it snaps into its locked position. (Fig. 5).

TO REMOVE THE MAGAZINE

Press the magazine release forward toward muzzle and pull the magazine from the stock with your free hand. (Fig. 5)

NOTE: It is easier to remove the magazine from the rifle if the bolt is positioned at its most rearward position.



WARNING

Removal of the magazine will not unload the rifle! After you remove the magazine always visually and physically inspect the chamber and receiver to ensure the rifle is completely unloaded!

RIFLE WILL FIRE WITH MAGAZINE OUT.

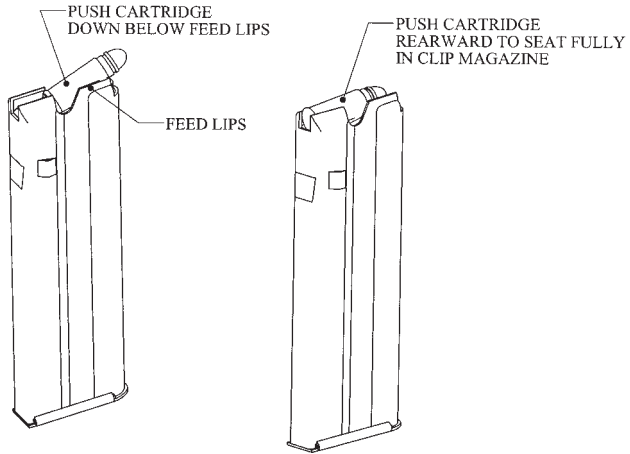
TO LOAD AND UNLOAD MAGAZINE

The 802 Plinkster™ includes a 10-shot capacity magazine. The rifle operates with .22 LR cartridges of sub-sonic, standard, high, or hyper velocities only.

The magazine should be loaded before installing it to the rifle.

Load the magazine by inserting one cartridge at a time, pressing against the plastic follower and rearwards until it is fixed between the lips of the magazine (Fig. 6). Repeat the operation until the magazine is full, or until the desired number of cartridges have been loaded. **The magazine should be loaded with .22 Long Rifle cartridges only.**

Fig. 6



Before installing the magazine to the rifle, ensure the bolt is open and that the safety is fully to the right at the "ON" (SAFE) position.

Insert the loaded magazine into the magazine opening until it snaps into its locked position.

Point the rifle in a safe direction and ensure the safety button is still positioned fully to the right at the "ON" (SAFE) position. Pull the bolt to its most rearward position and then push it to its forward position. The bolt will push one cartridge from the magazine to the chamber. **The rifle is now loaded.**



Do not touch the trigger until you are on target and have decided to fire.



Removing the magazine does not unload the rifle! The rifle will fire if a cartridge is chambered and the trigger is pulled, whether or not a magazine is in the rifle.

FIRING



Discharging firearms in poorly ventilated areas, cleaning firearms, and/or handling ammunition may result in exposure to lead and/or other substances known to cause birth defects, reproductive harm, and/or other serious physical injury. Have adequate ventilation at all times. Wash hands thoroughly after exposure.

With the rifle pointed in a safe direction and held in the proper firing position, move the safety to its "OFF" (FIRE) position. Pulling the trigger through its full travel to the rear, will fire the rifle.



Should the round fail to fire, keep the rifle pointed in a safe direction. Carefully lift the bolt handle and pull it as far back as it will go, and remove the misfired round and segregate from other ammunition. Do not attempt to refire a misfired round.



If at any time during firing, the sound of any given round is noticeably louder or softer than previous rounds fired, STOP! Do not load or fire additional rounds until you have put the safety in the "ON" (SAFE) position, then safely unload your firearm and inspect it for possible damage or obstruction in the chamber or bore.

After the firearm is fired, raise the bolt handle and pull back as far as it will go. This motion will eject the spent casing.

To feed the next round, push the bolt lever fully forward, then down. The firearm is again ready to fire.

LOADING SINGLE CARTRIDGES

If desired or necessary, the rifle can be single loaded with a cartridge directly into the chamber. It will be easier to single load the rifle if the magazine is removed from the rifle. Pull the bolt fully rearward. Move the safety button fully to the right to the "ON" (SAFE) position, and keeping the barrel pointed in a safe direction, insert a cartridge directly into the chamber and close the bolt by pushing it forward and down.



The rifle is now loaded and will fire when the trigger is pulled with the safety in the "OFF" (FIRE) position whether or not the magazine is in the rifle.



Before inserting a new loaded magazine in the rifle move the safety button fully to the right to the "ON" (SAFE) position.

TO UNLOAD THE RIFLE

To interrupt shooting and unload the rifle, keep the rifle pointed in a safe direction, move the safety button fully to the right to the "ON" (SAFE) position, remove the magazine and pull the bolt to its most rearward position, extracting and ejecting the round in the chamber.



Visually and physically inspect that there are no cartridges in the chamber or receiver.

As a safety procedure, every time shooting is interrupted or the rifle is unloaded, move the safety button fully to the right to the "ON" (SAFE) position, and move the bolt to the open position.

REMOVING THE BOLT FROM THE RIFLE

Push the safety button to the “ON” (SAFE) position. Visually and physically check to make certain there is no ammunition in the chamber or magazine. Keep the muzzle pointed in a safe direction at all times.

- A. Lift the bolt handle and pull the bolt to the rear of the action. Push the safety to the “OFF” (FIRE) position (Fig. 2).
- B. Depress the trigger fully and pull the bolt out of the receiver.
- C. Release the trigger and push the safety to “ON” (SAFE) position.

CLEANING AND LUBRICATION

With proper care, your Mossberg International® 802 Plinkster™ will provide you with years of dependable service. Your firearm should be inspected and cleaned periodically to insure that it remains in good condition. Clean your firearm as soon as possible after use. This is especially important if your firearm has been exposed to moisture. For maximum performance and continued satisfaction with your firearm, periodic cleaning and lubrication are essential. Wear eye protection during cleaning.

Use the instructions and equipment provided in a quality gun cleaning kit.

All metal parts should be cleaned with an appropriate gun cleaning solvent and lightly lubricated with gun oil. Over lubrication should be avoided. Use only lubricants specifically designed for firearms. Avoid the use of abrasives, which may damage the metal finish.

Normal use requires only that the mechanisms be free of excessive shooting residue. Very little lubrication other than a light oiling of external surfaces is needed to prevent rust.

If the rifle is to be stored for a long period of time it should be thoroughly cleaned and oiled. Do not plug the barrel or store the firearm in a case that will absorb lubricants.

The bolt can be removed from the barreled action, and the barreled action can be removed from the stock, but further disassembly should be performed by a certified gunsmith only.

DISASSEMBLY FOR CLEANING

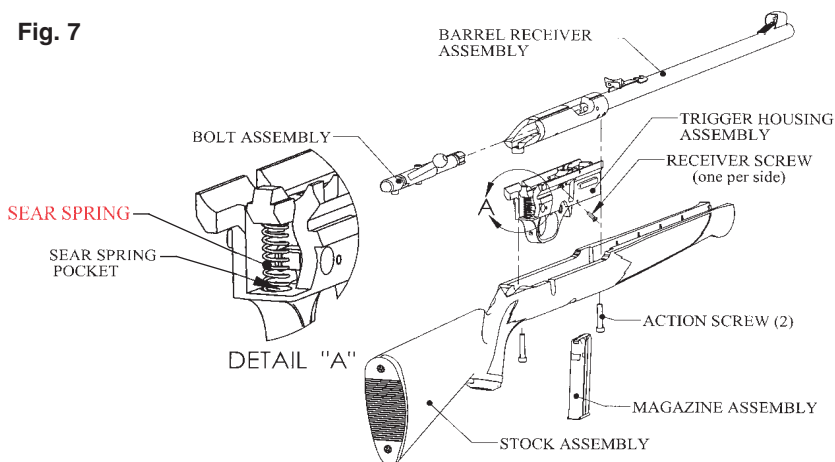


Before disassembly and cleaning, visually and physically inspect that there are no cartridges in the chamber or receiver. Keep the safety button fully to the right to the “ON” (SAFE) position.

- Remove the magazine as explained in “TO REMOVE MAGAZINE”.
- Remove the bolt from the rifle as explained in “REMOVING THE BOLT FROM THE RIFLE.”
- Using a screwdriver, remove the two action screws in the stock (Fig. 7).
- Lift the barrel/trigger housing assembly from the stock.
- Remove the two receiver screws holding the trigger housing to the receiver.
- Lift the barrel assembly from the trigger housing assembly.

Further disassembly, should only be performed by a certified gunsmith.

Fig. 7



CLEANING THE BARREL

To clean the barrel, first remove the bolt from the rifle as explained on page 10. Moisten a .22 caliber brass cleaning brush with solvent, and insert into the barrel from the breech side. Cleaning breech to muzzle, scrub the barrel several times.

Use a .22 caliber cleaning rod with a clean cloth patch to wipe the bore dry. Repeat several times, using a new patch each time, until the barrel is clean and shows no signs of residue.

Finally, wipe with a quality gun oil moistened patch. Do not over-lubricate, a light film is recommended.



Make sure the barrel is free of obstructions and excessive lubricant after cleaning. Be sure not to leave cleaning patches or excessive oil or grease in the bore as they can create dangerous obstructions. Obstructions of any kind can cause damage to the firearm and may result in serious personal injury to the shooter and/or others nearby.

REASSEMBLY



WARNING!

BEFORE REASSEMBLING THE BARREL/RECEIVER ASSEMBLY ONTO THE TRIGGER HOUSING, MAKE SURE THE SEAR SPRING IS CORRECTLY LOCATED (FIG. 7). CHECK AGAIN FOR ALIGNMENT AFTER THE RECEIVER SCREWS HAVE BEEN INSTALLED. A MISALIGNED OR MISSING SEAR SPRING MAY CAUSE THE GUN TO MALFUNCTION OR MISFIRE.

- Position the barrel receiver assembly onto the trigger housing assembly. Depress the trigger to allow the receiver to nest into the trigger housing correctly.
- Install the receiver screws to secure the trigger housing assembly.
- Check that the sear spring is seated correctly in the sear spring pocket (Fig. 7). If the spring is caught on the pocket edge, push it into the pocket so that it is properly seated.
- Position the barrel/trigger housing assembly into the stock assembly.
- Install the action screws, making sure they are securely tightened.
- Install the bolt as explained in section "TO INSTALL THE BOLT IN THE RIFLE."
- Install the magazine as explained in section "MAGAZINE INSTALLATION."
- Function Test the rifle as explained in section "FUNCTION TESTING."

FUNCTION TESTING



AFTER PERFORMING ANY WORK ON YOUR FIREARM SUCH AS CLEANING, DISASSEMBLY OR INSTALLATION OF AN ACCESSORY:

- a. Move the safety button fully to the right to the “ON” (SAFE) position and keep muzzle pointed in a safe direction.
- b. Remove magazine, open the action, and visually and physically check the chamber and inside the receiver, to be certain the firearm is unloaded.

Open and close the bolt several times to check for free movement of the action assembly, making sure the muzzle is pointed in a safe direction.

Close the bolt and leave the safety button in the “ON” (SAFE) position. Pull the trigger fully rearward. The firing pin should not release.

Remove your finger from the trigger. Move the safety button fully left to the “OFF” (FIRE) position. The firing pin should not release.

For firing pin cocked and released positions see Fig.4a.

Leave the safety button in the “OFF” (FIRE) position. Make certain the firearm is pointed in a safe direction. Pull the trigger rearward. The firing pin should release.

When you have completed the function testing , open the action and move the safety button fully to the right to the “ON” (SAFE) position.



IF YOUR FIREARM DOES NOT PERFORM AS DESCRIBED IN ANY OF THE PREVIOUS STEPS, CONTACT THE FACTORY AUTHORIZED PRODUCT SERVICE CENTER IMMEDIATELY. DO NOT ATTEMPT TO USE THE FIREARM.

Firearms are complicated mechanisms. Any modification, alterations, or improper fitting of parts may result in a dangerous malfunction, damage to the firearm and injury to the shooter and other persons. The firearm’s owner must accept full responsibility for the correct reassembly and functioning of the firearm after any disassembly or replacement of parts.

PRECAUTIONS AND CARE WITH YOUR RIFLE

When you store your rifle, make sure that the magazine and the chamber are empty. Keep the bolt open.

Handling leaves moisture prints that can cause metal parts to rust. Abrupt changes in temperature cause condensation and moisture. Wipe the barrel and other metal parts with light oil after handling. The trigger guard will not rust as it is made of aluminum die castings. However, the painted surface must be well cared for in order to avoid scratches.

REAR SIGHT ADJUSTMENTS

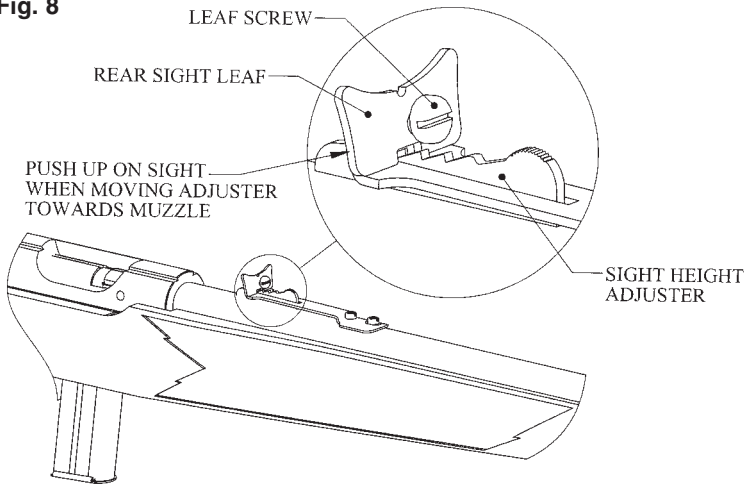


BEFORE MAKING ANY SIGHT ADJUSTMENTS:

- Keep the muzzle pointed in a safe direction, remove the magazine and open the action. Visually and physically inspect the chamber to be certain the rifle is unloaded.
- Move the safety button all the way to the right to the “ON” (SAFE) position.

Elevation adjustment: The rear sight adjuster has a saw-tooth configuration that allows the sight height to be varied. To raise rear sight, move the adjuster towards the stock, one notch at a time. To lower the rear sight, push up on the sight and move the sight adjuster towards the muzzle (Fig. 8).

Fig. 8



Windage Adjustment: Windage may be adjusted by moving the rear sight leaf left or right. To move the leaf, loosen the leaf screw and slide the leaf in the required direction (Fig. 8).

Remember: Move the rear sight in the same direction you would like the shot to move. For example, if the point of impact is low and left at the point of aim, move the rear sight upward and to the right.

SERVICE INSTRUCTIONS

Should your firearm, or any component of your firearm require service, ship your entire firearm (please do not send components only), via your chosen carrier, postage paid (we do not accept C.O.D. shipments), following these instructions:

- **Make absolutely certain your firearm is unloaded.**
- **Do not send ammunition with your firearm.**
- Remove all accessories from your firearm such as scopes, slings, mounts, etc.
- Ship your firearm in a suitable container, packaging it securely to prevent parts from shifting and/or harm during shipping.
- Include a note with a clear description of the service you wish us to perform, your complete return shipping address (no P.O. boxes please), your daytime telephone number and your e-mail address (if available). It is advisable to place your correspondence inside your shipping container when shipping.

SHIPPING ADDRESS

Product Service Center
Maverick Arms, Inc.
1001 Industrial Blvd.
Eagle Pass, TX 78853
Attention: Repair

If you have any questions, please call the service center at (800) 363-3555.

TO ORDER PARTS

To order parts from our service center, you can fax, phone, mail, or e-mail your order to us at one of the below numbers/addresses.

Fax Number: (830) 773-5893
Phone Number: (800) 363-3555
E-mail Address: service@mossberg.com
Mailing Address: Product Service Center
Maverick Arms, Inc.
1001 Industrial Blvd.
Eagle Pass, TX 78853
Attention: Order Department

Please provide your name, address, city, state, zip, your daytime phone number and e-mail address. We'll need Model #, Serial #, Gauge/Caliber, Finish, Part # and Part Name. We have a \$7.50 (U.S.) minimum parts order charge. We accept most major credit cards, money orders, and bank drafts.

Service outside of the U.S.A.

For Mossberg International firearm parts and service requirements outside of the United States, customers are requested to contact the closest Mossberg International stocking dealer/distributor.

NOTES

A large, empty rectangular box with a double-line border, occupying most of the page. It is intended for the user to write notes.

MOSSBERG INTERNATIONAL, INC. WARRANTY

MODEL 802 PLINKSTER™

ONE (1) YEAR LIMITED WARRANTY

Limited Warranty: Mossberg International, Inc. (“Mossberg”) warrants to you, the original retail purchaser of a new Mossberg® Model 802 Plinkster™ (the “Mossberg firearm”), that the Mossberg firearm will be free of defects in material or manufacture for a period of one (1) year from the date of your purchase of the new Mossberg firearm (the “Warranty Period”) in the United States or Canada. This is the only express warranty on the Mossberg firearm. MOSSBERG MAKES NO OTHER WARRANTIES OF ANY KIND OR CONDITIONS, INCLUDING, BUT NOT LIMITED TO ANY IMPLIED WARRANTY OF MERCHANTABILITY OR FITNESS FOR A PARTICULAR PURPOSE. This Limited Warranty gives you specific legal rights, and you may have other rights that vary from State to State.

Purchaser’s Remedy: During the Warranty Period, Mossberg will, at its sole option, (1) repair the Mossberg firearm or any part thereof that, upon examination and testing by Mossberg, does not conform to the Limited Warranty without charge to you for parts or labor, or (2) replace the Mossberg firearm with a new or similar model. THIS REMEDY SHALL BE YOUR EXCLUSIVE AND SOLE REMEDY FOR ANY BREACH OF WARRANTY. MOSSBERG SHALL NOT BE RESPONSIBLE FOR ANY OTHER EXPENSES, LOSSES OR INCONVENIENCE THAT YOU MAY SUSTAIN AS A RESULT OF THE PURCHASE, USE, MALFUNCTION OR DEFECTIVE CONDITION OF THE MOSSBERG FIREARM. Mossberg reserves the right to inspect, examine and/or test the Mossberg firearm to assess any claim made under the Limited Warranty.

EXCLUSIONS: THIS WARRANTY DOES NOT COVER THE COSMETIC APPEARANCE OF THE MOSSBERG FIREARM OR ANY DAMAGE CAUSED BY:

- (1) NORMAL WEAR AND TEAR;
- (2) FAILURE TO PERFORM PROPER CARE AND MAINTENANCE;
- (3) ACCIDENTS, ABUSE OR NEGLIGENCE;
- (4) BARREL OR BORE OBSTRUCTIONS;
- (5) FAILURE TO FOLLOW THE INSTRUCTIONS AND WARNINGS THAT ACCOMPANY THE MOSSBERG FIREARM; OR
- (6) THE USE OF DEFECTIVE, NON-SAAMI STANDARD, REMANUFACTURED, HANDLOADED, AND/OR RELOADED AMMUNITION.

IN ADDITION, ANY UNAUTHORIZED REPAIRS, ALTERATIONS OR MODIFICATIONS TO THE MOSSBERG FIREARM WILL AUTOMATICALLY VOID THE LIMITED WARRANTY.

LIMITATION OF DAMAGES: EXCEPT WHERE PROHIBITED BY LAW, MOSSBERG WILL NOT BE LIABLE FOR ANY LOSS OR DAMAGE WHATSOEVER ARISING FROM THE USE OF THIS MOSSBERG FIREARM, WHETHER DIRECT, INDIRECT, SPECIAL, INCIDENTAL, CONSEQUENTIAL OR PUNITIVE, REGARDLESS OF THE LEGAL THEORY ASSERTED, INCLUDING CONTRACT, WARRANTY, NEGLIGENCE, OR STRICT LIABILITY. SOME JURISDICTIONS DO NOT ALLOW LIMITATIONS ON HOW LONG AN IMPLIED WARRANTY LASTS, OR THE EXCLUSION OF INCIDENTAL OR CONSEQUENTIAL DAMAGES, SO THE ABOVE LIMITATIONS MAY NOT APPLY TO YOU.

Warranty Service: To obtain service under this Limited Warranty, you must follow the instructions found in the “Service Instructions” section of the Owner’s Manual and return the Mossberg firearm to the authorized Product Service Center. You are responsible for all shipping costs to the Product Service Center. Mossberg will not accept COD shipments of any Mossberg firearm for service. After repair or replacement, the Mossberg firearm or a similar model will be returned to you, return postage paid by Mossberg. If we replace the Mossberg firearm, we will keep the firearm that you returned to Mossberg.

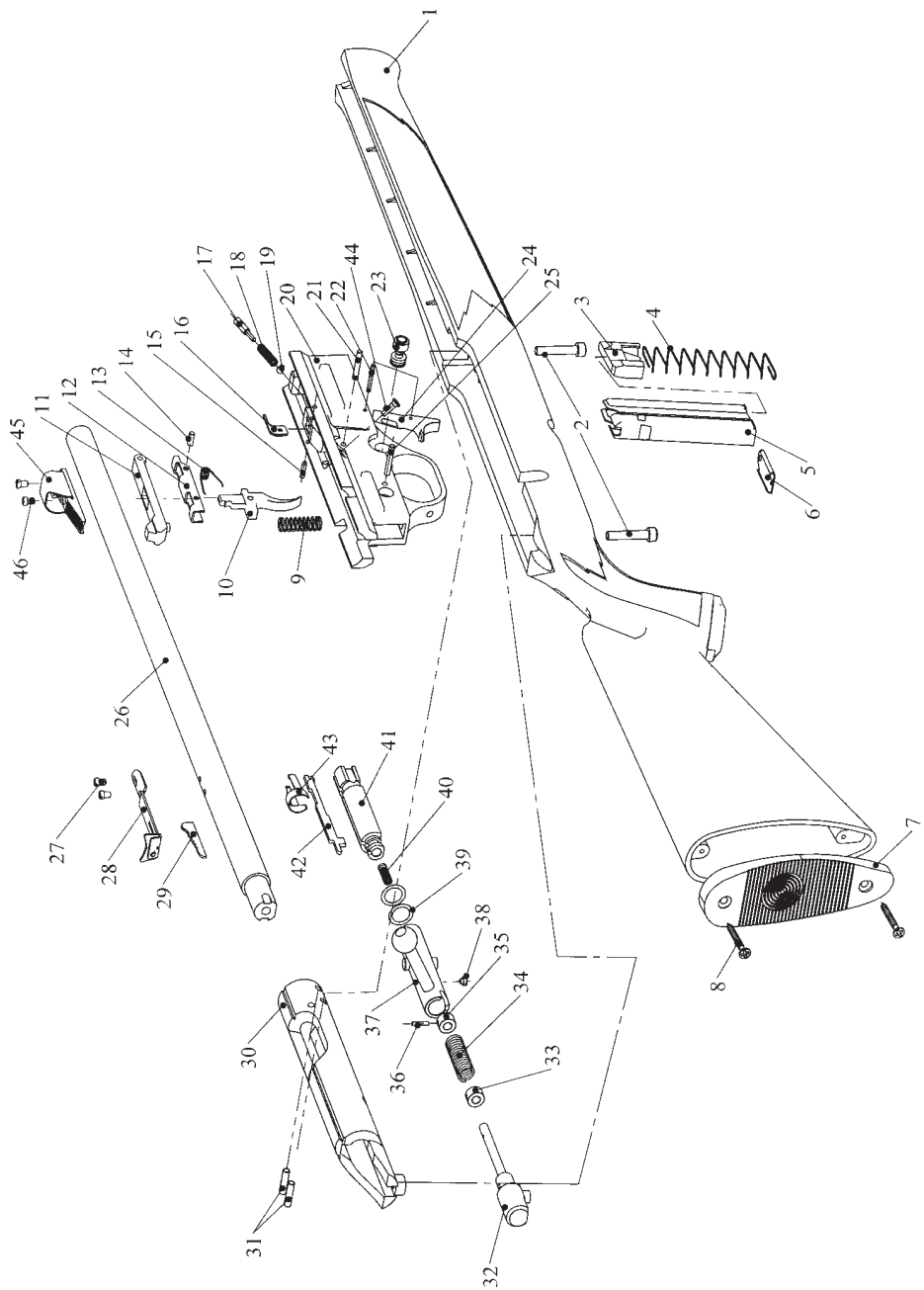
Modification of Warranty: No agent, representative, distributor, or authorized dealer of Mossberg firearms has any authority to modify the terms or conditions of the Limited Warranty in any way. The Limited Warranty may only be modified in writing by an authorized officer of Mossberg.

THIS LIMITED WARRANTY IS EFFECTIVE JANUARY 1, 2006.

PARTS LIST

<u>ITEM NO.</u>	<u>DESCRIPTION</u>	<u>ITEM NO.</u>	<u>DESCRIPTION</u>
1	STOCK	24	MAGAZINE RELEASE
2	ACTION SCREW	25	TRIGGER PIN
3	MAGAZINE FOLLOWER	26	BARREL
4	MAGAZINE SPRING	27	REAR SIGHT SCREW
5	MAGAZINE HOUSING	28	REAR SIGHT ASSEMBLY
6	MAGAZINE BASE PLATE	29	REAR SIGHT HEIGHT ADJUSTER
7	BUTT PLATE	30	RECEIVER
8	BUTT PLATE RETAINING SCREW	31	RECEIVER PINS
9	SEAR SPRING	32	STRIKER PIN ASSEMBLY
10	TRIGGER	33	BOLT SPRING REAR COLLAR
11	SEAR	34	BOLT SPRING
12	SAFETY BRIDGE	35	BOLT SPRING FRONT COLLAR
13	TRIGGER SPRING	36	COLLAR PIN
14	TRIGGER SPRING PIN	37	BOLT BODY ASSEMBLY
15	EJECTOR PIN	38	COLLAR SCREW
16	EJECTOR	39	BOLT WASHER
17	DETENT PLUNGER	40	FIRING PIN SPRING
18	DETENT SPRING	41	BOLT HOUSING
19	DETENT BALL	42	FIRING PIN
20	TRIGGER HOUSING	43	SHELL EXTRACTOR
21	SEAR PIN	44	RECEIVER SCREW
22	MAGAZINE RELEASE PIN	45	FRONT SIGHT
23	SAFETY BUTTON	46	FRONT SIGHT SCREW

EXPLODED VIEW



FIREARMS SAFETY DEPENDS ON YOU. MAKE NO MISTAKE ABOUT IT!

From the time an individual picks up a firearm, that individual shooter becomes a part of a system over which he has complete control. He is the only part of the system that can make a gun safe – or unsafe. Hunting and target shooting are among the safest of all sports. This booklet is intended to make them even safer – by re-emphasizing and reaffirming the basics of safe gun handling and storage and by reminding each individual shooter that he or she is the key to firearms safety. You can help meet this responsibility by enrolling in hunter safety or shooting safety courses. You must constantly stress safety when handling firearms, especially to children and non-shooters. Newcomers in particular must be closely supervised when handling firearms with which they may not be acquainted. Don't be timid when it comes to gun safety. If you observe anyone violating any safety precautions, you have an obligation to suggest safer handling practices, such as those in this booklet. Please read these rules carefully and follow the safety procedures outlined. Firearms safety is up to you. Make no mistake about it.

- 1. ALWAYS KEEP THE MUZZLE POINTED IN A SAFE DIRECTION**
- 2. FIREARMS SHOULD BE UNLOADED WHEN NOT ACTUALLY IN USE**
- 3. DON'T RELY ON YOUR GUN'S "SAFETY"**
- 4. BE SURE OF YOUR TARGET AND WHAT'S BEYOND IT**
- 5. USE CORRECT AMMUNITION**
- 6. IF YOUR GUN FAILS TO FIRE WHEN THE TRIGGER IS PULLED, HANDLE WITH CARE**
- 7. ALWAYS WEAR EYE AND EAR PROTECTION WHEN SHOOTING**
- 8. BE SURE THE BARREL IS CLEAR OF OBSTRUCTIONS BEFORE SHOOTING**
- 9. DO NOT ALTER OR MODIFY YOUR GUN, AND HAVE GUNS SERVICED REGULARLY**
- 10. LEARN THE MECHANICAL AND HANDLING CHARACTERISTICS OF THE FIREARM YOU ARE USING**

*Courtesy of
Sporting Arms and Ammunition Manufacturers' Institute, Inc.*