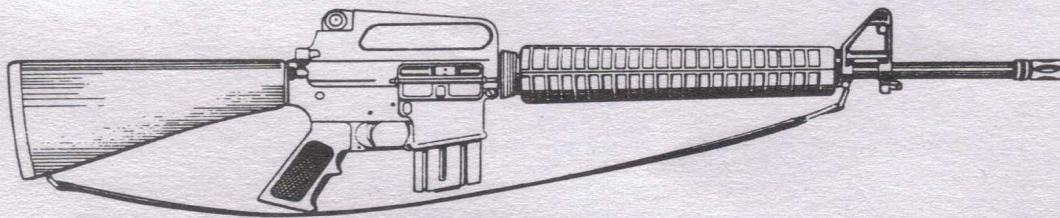


Mitchell ARMS

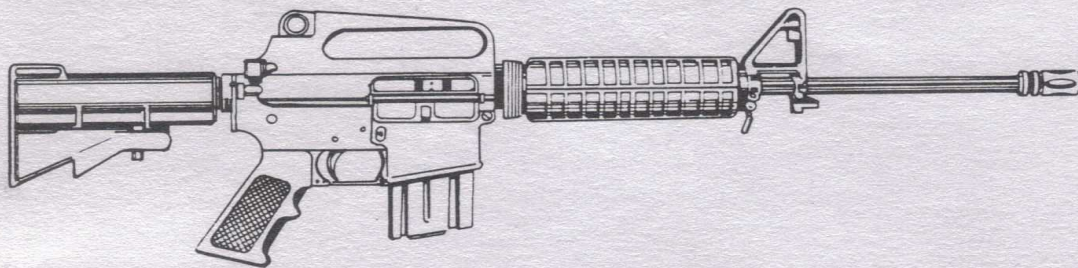
OWNER'S MANUAL

for the
Care and Use of the

M-16A1/22 RIFLE, STANDARD MODEL



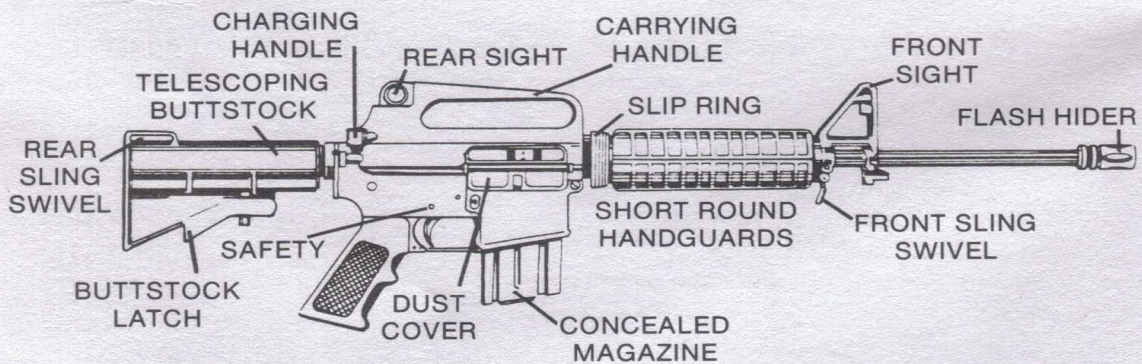
CAR-15/22 RIFLE, TELESCOPING STOCK



This instruction manual should always accompany this rifle and be transferred with it upon change of ownership. Become thoroughly knowledgeable with the instructions contained here before you use your rifle and review the entire booklet each time you intend to use your rifle.

Mitchell ARMS

THE NEW CAR-15/22



THE STANDARD M-16/22



This instruction manual should always accompany this rifle and be transferred with it upon change of ownership. Become thoroughly knowledgeable with the instructions contained here before you use your rifle and review the entire booklet each time you intend to use your rifle.

Introduction

Mitchell
ARMS

Congratulations on your selection of a Mitchell M-16/22 Rifle!

THE STANDARD M-16/22

The standard by which all military look-alikes are judged. The M-16/22 is a faithful 22LR caliber reproduction of the U.S. Army's M-16 standard rifle.

The Mitchell Arms 22LR version features a concealed 15rd magazine inside a full size false magazine well, giving the rifle its .223 caliber appearance.

THE NEW CAR-15/22

This new "carbine" follows the form and style of the U.S. Army's CAR-15 faithfully; even including its take down and re-assembly procedure.

The latest type handguards, slip-ring and telescoping buttstock are used providing identical size, style, length, weight and appearance to the military CAR-15 in .223 caliber. The full size false magazine well conceals a 22LR caliber 15 round magazine.

— BEFORE YOU PROCEED —

Read this booklet thoroughly and become completely comfortable with it's contents, before you handle either rifle. Then examine your rifle carefully after you've read this Owner's Manual and make sure you understand all of the basics associated with your rifle.

Your rifle is as well made as modern technology allows and will give you a lifetime of reliable service and enjoyment. You the owner, must use it intelligently, keep it clean and call us with any questions. We are readily accessible.

The M-16/22's are magazine-fed, recoil operated, semi-automatic, closed bolt, shoulder rifles. They are amazingly similar to the U.S. Army M-16 rifles in appearance and design. They are the same size as their military counterparts, have the same weight and the same 'heft'.

GENERAL OPERATION OF THE M-16/22 RIFLES (Both Models)

The U.S. Army M-16 rifle, in any of its models, has many assets and features. It's most endearing attribute is its reliability, light weight and operating simplicity. It is indeed, durable, reliable and simple to operate.

Both models are similar in design with differences as follows:

1. The standard full size model, has a full size fixed stock and the new style round corrugated handguards. It matches the M-16 rifle almost perfectly.
2. The CAR-15/22 has a telescoping buttstock and can be fired with the stock extended or collapsed. In addition, it has the short style handguards as does its military counterpart.

Both models have a 15 round capacity magazine concealed within the full-size magazine well.

Operation and function of the M-16/22 or the CAR-15/22 are quite similar to the U.S. Army M-16 models except for caliber. Operation of the M/16 and the CAR-15/22 is identical except for the function of the telescoping buttstock of the CAR-15/22.

Your rifle is magazine-fed and its magazine will hold up to 15 rounds of 22LR caliber ammunition.

Before handling your rifle, make sure it is empty! Do that by first removing the magazine from the magazine well. It is latched in place by the magazine catch located on the lower rear right side of the magazine well. Just push the button in and the magazine will snap free of the latch. Pull it out and check to see that it is empty.

Next, you **MUST** look in the chamber! Do so by pulling back on the changing handle. It is under recoil spring pressure, so you must hold it back under pressure while you look into the ejector port and see the actual chamber of the rifle and that it is empty.

Once you've determined that it is empty, you may then proceed (and only then).

Mitchell
ARMS

— CAUTION —

Look at all the drawings and become familiar with the part names, so that you are completely comfortable with them. Your rifle is shipped with the magazine in place and the bolt closed. Be certain your rifle is empty and the magazine is out of it before proceeding.

SAFETY BUTTON

The safety button in the lower receiver immediately behind the trigger, is the controlling device of your rifle together with the changing handle. The safety button has two positions, one of which has a red dot, and moves to the left or right, as you desire. When not actually shooting, the button must always be put 'on safe' by you, the shooter.

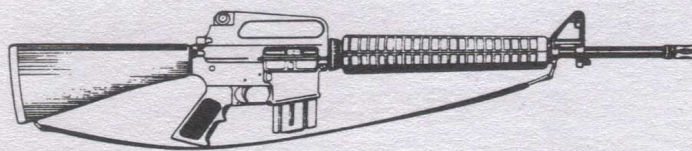
When the button protrudes thru the **right** side of the receiver, the red dot is exposed and the rifle could fire. When the button protrudes thru the **left** side of the receiver, no color is exposed and the rifle will not fire.

For safety's sake, even if you put the rifle 'on-safe', keep it pointed down range or in a safe direction **ALWAYS**. Even if you know for certain your rifle is empty. This is not only good practice, but it is the mark of professional gun handling.

MAGAZINE

Your rifle has a box magazine which can hold up to 15 rounds and is easily inserted into the base of the magazine well. It is retained in the rifle by means of the spring loaded latch, operated from the right rear side of the magazine well. The latch is spring loaded and snaps into a slot in the magazine body, specially designed to receive the latch.

Loading a magazine into your rifle is quite simple. Simply slide the magazine into the magazine well, until it snaps in place. To remove it, just press in on the latch and pull the magazine straight out. These same instructions apply to all versions of the Mitchell Arms M-16/22 rifle.

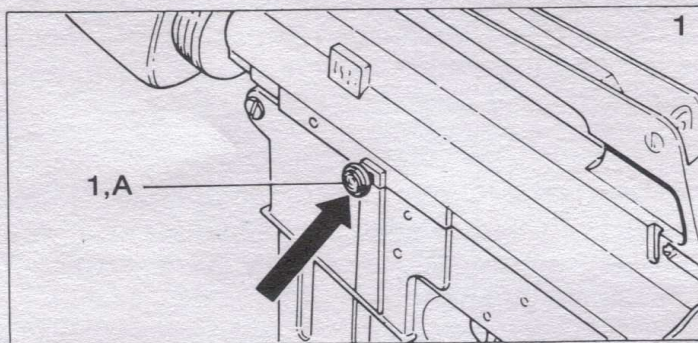


EJECTOR PORT DOOR (Dust Cover)

Your rifle is equipped with a dust cover which protects the ejector port during periods of non-use. It is spring loaded open until you manually close it. During the shooting process, it will automatically spring open upon the firing of the first round and will stay open until you close it.

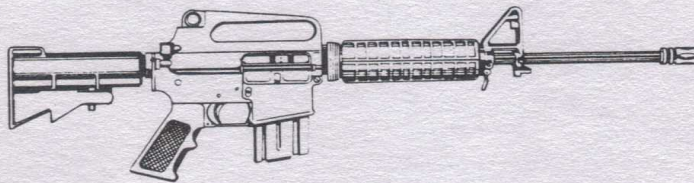
LAST ROUND STOP (Bolt Hold Open)

Your rifle is equipped with a last-round stop; also known as a bolt-hold-open-device. It is shown in Fig. #1,A. It serves two purposes:



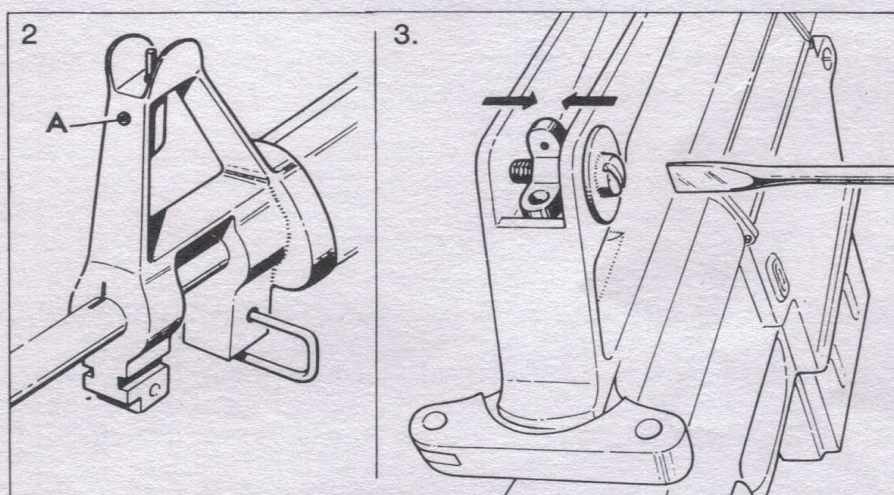
1. After you have fired the last cartridge in the magazine, the last round stop will activate and the bolt will lock in its full recoil position. This lets you know the magazine is empty and the bolt is retracted. Even so, **check it visually!**
2. It will allow you to fully retract the bolt and lock it back which is useful in checking your rifle and examining/cleaning the bore of the barrel.

You can easily release the bolt by pushing down on the last round stop and the bolt will close under the force of the recoil spring in the buttstock.



SIGHTS

Your rifle is equipped with simple to operate, adjustable sights. The front sight adjusts for elevations as shown in illustration #2. The front sight is locked in position by screw 'A'. The front sight is adjusted up or down after loosening the locking screw 'A'. Turn the front sight counter-clockwise to lower the bullet impact point. To raise the bullet impact point, turn the front sight clockwise. When the bullet impact point is correct for you, lock the front sight in position by tightening screw 'A'.



As shown in illustration #3, the rear sight is adjustable from left to right by turning a screw on the outer right side of the sight with a screw driver or with a coin of any kind. Turn the screw as needed, in either direction until the bullet impact point is correct for you. Move the rear sight to the left to move the bullet impact point to the left. Move the rear sight to the right to move the bullet impact point to the right.

Once you have it right for you, leave it alone. It will stay where you set it.

Notice that the rear peep sight has two 'peep-holes'. One hole is larger and slightly higher than the other. The lower peep sight should be used for short range shooting, up to 50 yards. For shooting beyond 50 yards, use the higher peep-hole. The quick-flip peep sights provide a quick way to adjust for range differences in your target.

LOADING AND SHOOTING

First check your rifle and make sure it is empty and the magazine is removed. Make sure the rifle is clean and complete. Check for any visible damage or missing parts. If anything is missing, damaged or out-of-place, **DON'T LOAD or SHOOT** the rifle. **Call us for advice first.** Your rifle carries a one year warranty, but even if the year is exceeded, call us anyway.

Check to see that the barrel is **clean** and has **no obstructions** of any kind. Even grease or excessive oil should be removed. Do not think you can "shoot it out", because you can't. What you will do is ruin a perfectly good barrel (and that's also expensive).

After you've checked your rifle thoroughly and are comfortable that it is clean and complete, you may proceed.

Load your magazine into the rifle with the safety on, (protruding left). The magazine may be full or partially full; it doesn't matter to the function of the rifle. Of course, keep the rifle pointed in a safe direction.

BE CERTAIN OF THE BACK-STOP FOR YOUR SHOOTING.

Put the safety in the **SAFE** position (protruding left). Grasp the charging handle on the top side of the rifle; rear. Pull the charging handle smartly rearward as far as it will go and hold it there momentarily.

Completely release it and allow it to snap forward under its own pressure! (Don't "lower it down".) This will close the bolt, strip the top cartridge from the magazine and load the chamber. You are now holding a live gun, on safe and ready to go. Be careful and keep rifle pointed "down-range".

Put the safety in 'Fire' position when you are ready to shoot. Your rifle is semi-automatic and will fire one cartridge with each pull of the trigger and will continue to do so, until you stop pulling the trigger or the magazine is emptied; whichever happens first.

If you load your rifle chamber and change your mind and don't want to shoot, do the following.

1. Keep the rifle pointed safely down range.
2. Remove the magazine.
3. Pull the charging handle fully rearward. This will eject the live cartridge. Look in the chamber to be sure!
4. Allow the bolt to close (go forward under its own spring pressure).
5. Be careful. Always keep your rifle pointed in a safe direction.
6. Put the safety **ON!!**

CARE AND CLEANING

Be sure your rifle is empty before you do anything else or touch anything else.

Take out the magazine and determine that it is empty. Then grasp the charging handle and pull it all the way back. Holding it back, look into the ejector port on the right side and be certain you can see the chamber in the barrel and determine that it is empty.

After you are sure the rifle is empty, you may proceed as follows:

Replace the magazine into the magazine well. Fully draw back the charging handle and determine that the bolt is locked rearward. In this way, you have a retracted bolt which will allow you to clean the bore of the barrel as well as the chamber area.

Use a good quality gun oil and clean patches. Run clean patches thru the bore of the barrel until they come out clean. Then lightly lubricate the barrel, both inside and out.

With the bolt retracted, you can scrub the face of the bolt as well as the chamber area of the barrel. Pay particular attention to the extractor slot in the barrel next to the chamber. Make sure it is scrupulously clean.

You can do all that with an old toothbrush and you will find it works quite well.

Spray (or wipe) lubricant on the bolt and bolt face after you've scrubbed it clean. Then allow the bolt to close (of its own force).

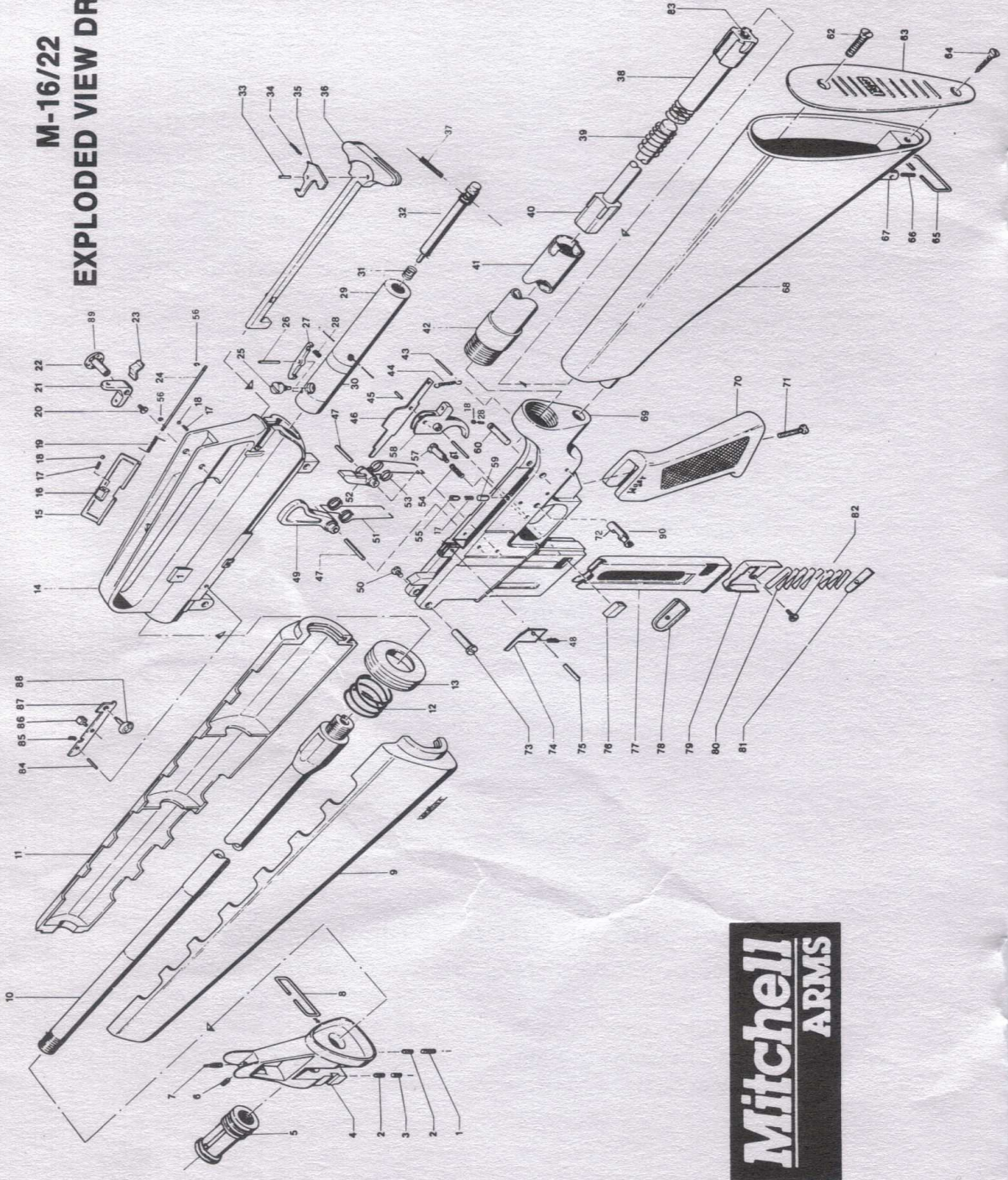
Wipe lubricant lightly over all exposed metal areas of the rifle.

WARNING: DO NOT DRY FIRE YOUR RIFLE.

Doing so will deform the tip of the firing pin and cause mis-fires.

Properly cared for, your rifle will easily last a lifetime and provide you with a lifetime of shooting pleasure. If you have any questions of any kind, call us. We're here for you. When in doubt, call us!

M-16/22
EXPLODED VIEW DRAWING



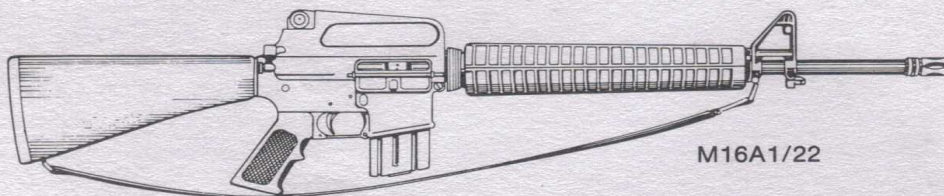
Mitchell
ARMS

PARTS LIST

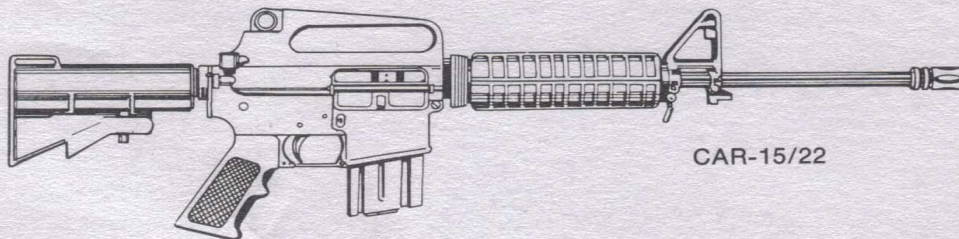
1. Locking Screw, secondary, rear
2. Locking Screw, primary
3. Locking Screw, secondary front
4. Front Sight ramp and hood
5. Flash Hider
6. Front Sight Locking Screw
7. Front Sight
8. Front Sight Swivel
9. Bottom Handguard
10. Barrel
11. Top Handguard
12. Handguard Spring
13. Handguard Retainer
- 13A. Handguard Slip Ring
(not shown)
14. Upper Receiver
- 15/16/17/18. Ejector Port Cover
Assembly
19. Cover Spring
20. Rear Sight Screw (left side)
21. Rear Sight
22. Rear Sight Disc.
23. Rear Sight Spring
24. Cover Hinge Pin
25. Bolt Guide Screw
26. Extractor Pin
27. Extractor
28. Extractor Spring
- 29/30. Bolt (2 pieces fixed)
31. Firing Pin Spring
32. Firing Pin
33. Charging handle hinge pin
34. Charging handle screw
35. Charging handle latch
36. Charging handle grip
37. Firing Pin Retainer Pin
38. Rear Spring Guide
39. Recoil Spring
40. Front Recoil Spring Guide
- 41/42. Recoil tube (2 pieces fixed)
43. Sear Spring Pin
44. Trigger Spring
45. Sear Lever Pin
46. Sear Lever
47. Sear Pin
48. Ejector Spring
49. Hammer
50. Right front receiver screw
51. Hammer Spring
52. Sear
53. Sear Spring
54. Magazine Catch Spring
55. Safety Screw
56. Plunger Spring
57. Magazine Plunger Screw
58. Trigger
59. Safety Plunger
60. Lower Receiver take-down pin
61. Trigger Pin
62. Top Butt plate screw
63. Butt Plate
64. Bottom Butt plate screw
65. Rear Sling Swivel
- 67/68. Butt Stock
69. Lower Receiver
70. Hand Grip
71. Grip Screw
73. Front hinge pin
74. Ejector
75. Ejector Pin
76. Magazine Catch
77. Magazine
78. Magazine Bottom Plate
79. Follower
80. Magazine Spring
81. Floor Plate
82. Follower button
83. Stop Guide Spring
84. Last round stop pin
85. Last round stop bolt
- 86/87/88. Last round stop

Mitchell ARMS

Mitchell Arms full collection of military rifles produced in 22 caliber are shown below.



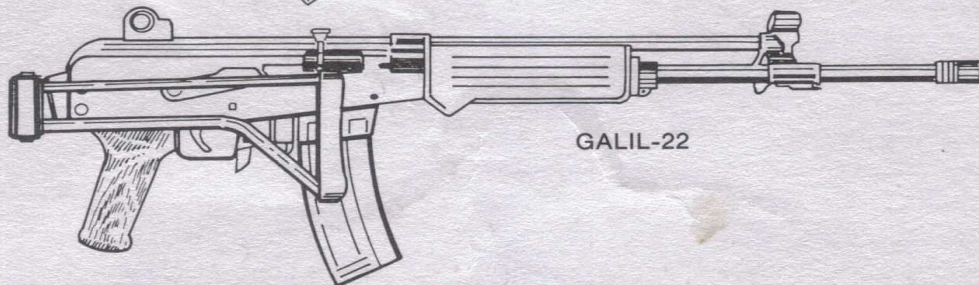
M16A1/22



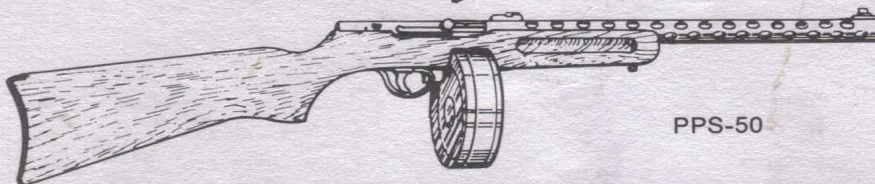
CAR-15/22



AK-22



GALIL-22



PPS-50

U.S. OFFICE

MITCHELL ARMS, INC.
3400 W. MacArthur Blvd.
Santa Ana, CA 92704
Phone: 714/957-5711 • Telex: 880126
Fax: 714/957-5732

INTERNATIONAL SALES

MITCHELL ARMS
P.O. Box 300
Sutton Scotney, Winchester
SO21 3QT England
Phone: 0962 89755 • Fax: 0962 89756