

Mitchell
ARMS

OWNER'S MANUAL



Congratulations . . . on your purchase of the AK-22 Semi-Automatic or 22 Magnum Rifle; a design inspired by the AK-47 Centerfire rifle. This is a novel rifle to own and use. It's form and function is flawless.

The rifle is made in Caliber 22LR/22 Magnum which allows very inexpensive shooting enjoyment. You will find your rifle to be extremely accurate and reliable.

MITCHELL ARMS, INC.

3400 W. MacArthur Blvd., Suite I, Santa Ana, CA 92704

Phone: 714/957-5711 TELEX 880126 FAX 714/957-5732

Your rifle is as safe as we know how to make it, but you must use good sense and caution; as you must with any gun.

Some Key Safety Rules Are:

1. Treat every gun as though it were loaded, even if you **know** it isn't!
2. Keep the barrel pointed in a safe direction always.
3. Never load the rifle or the magazine until you are ready to shoot; and then only in a place you know is safe.
4. Always keep the barrel pointed "down-range" even when you know it's empty.
5. Always be certain of your target and the target back-stop before shooting.
6. Have fun; just follow these rules and use common sense in handling this or any other gun.

Safety & Handling/Care & Use

Your rifle has a large safety lever on the right side of the receiver which can be moved up or down only, but it performs three functions depending on where you place it.

1. In the full up position the trigger is blocked internally and the bolt cannot be moved in any direction. The rifle is deemed to be "on safe". **Even so**, keep the rifle pointed in a safe direction always and treat it like it was loaded. Don't pull or "test" the trigger while it's "on safe" as you can stress the action parts or even break them if you are strong enough.

2. Notice that there is a notched section in the safety lever. This allows you to pull the bolt back and move the safety lever upward to engage the bolt at the charging handle. This position allows you to see into the breech and is the position always to be used in cleaning your rifle.
3. Moving the safety lever full down puts your rifle in firing condition. Make certain you know your target; use good sense and have fun. When finished, pull the bolt back and lock it back in the notch in the safety lever.

Your rifle is well made and requires only normal care and cleaning. Keep the rifle lightly oiled, both inside and out. Don't over oil it, but do keep a light coating of oil all over it.

You can clean/oil the inside of your rifle by just removing the upper cover on the top of the receiver. Just push forward on the protruding latch in the top rear of the cover; it is spring loaded. This will allow you to lift off the cover and it will expose the internal mechanism for cleaning.

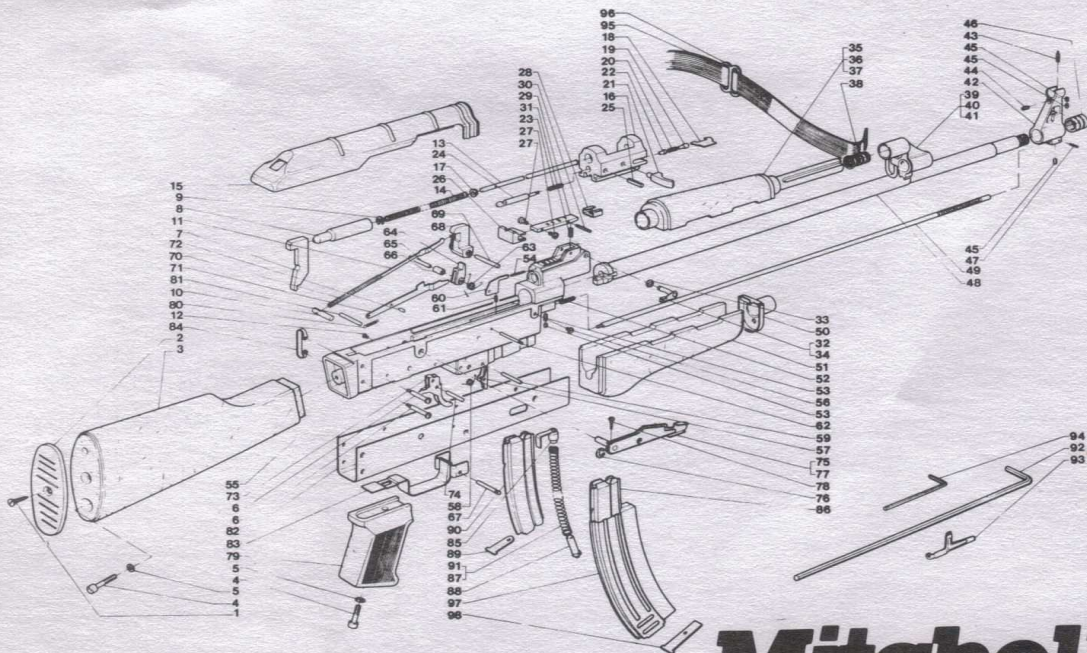
Accessories available for your AK-22

Spare 20 round magazines - 22LR
Spare 10 round magazines - 22 Magnum
Scope mount
Sling

Spare parts and product service are readily available for your rifle. Use the schematic drawing on the back to identify any parts you may need and order by using both part name and number please.

MITCHELL ARMS, INC.
3400 West MacArthur Blvd., Suite 1
Santa Ana, California 92704
Phone: 714/957-5711 TELEX 880126 FAX 714/957-5732

PART NO.	PART NAME	PRICE	PART NO.	PART NAME	PRICE
1	Butt Plate Screw	.39	52	Cleaning Rod Spring	.79
2	Butt Plate	3.25	53	Barrel Catch Screws	.39
3	Stock	24.95	54	Cover Catch Pin	.39
4	Grip Screw	.79	55	Frame	NOT SOLD
5	Washer	.20	56	Frame Cover Catch Screw	.39
6	Rear Link Screws	.39	57	Magazine Catch	1.75
7	Recoil Spring Support	7.95	58	Magazine Catch Spring	.39
8	Limiting Device	3.95	59	Magazine Catch Pin	.39
9	Recoil Spring Stop Ring	.39	60	Ejector	3.25
10	Hammer Spring Holding Pin	3.95	61	Ejector Spring	.39
11	Hammer Spring Guide	3.95	62	Ejector Pin	.39
12	Scope Mount Filler Screws	.25	63	Sear Spring	1.59
13	Recoil Spring Guide	3.95	64	Sear	6.50
14	Recoil Spring	2.50	65	Sear Pin	1.25
15	Upper Cover	14.95	66	Sear Spacer	.39
16	Bolt	29.95	67	Trigger Guard Pin	.39
17	Recoil Spring Guide Bushing	.79	68	Hammer	12.50
18	Extractor	2.49	69	Hammer Pin	1.20
19	Extractor Pin	.39	70	Hammer Spring	.79
20	Extractor Spring	.39	71	Sear Lever	3.95
21	Cocking Lever	5.50	72	Sear Lever Pin	.79
22	Cocking Lever Catch Pin	.39	73	Trigger	5.95
23	Firing Pin Spring	.39	74	Trigger Pin	.39
24	Striker	1.18	75/77	Safety	5.75
25	Striker Pin	.39	76	Safety Holding Ring	.39
26	Rear Sight Blade	6.25	78	Safety Screw	.39
27	Rear Sight Adjust Screws	1.20	79	Grip	9.95
28	Rear Sight Elevator	2.59	80	Trigger Spring	.79
29	Rear Sight Base	5.59	81	Trigger Spring Pin	.39
30	Rear Sight Pin	.39	82	Frame Cover	NOT SOLD
31	Rear Sight Spring	1.59	83	Trigger Guard	5.95
32/34	Upper Handguard Catch	.39	84	Rear Link	3.19
33	Handguard Catch Ring	.79	85	Magazine Follower	3.19
35/36/37	Front Handguard Holder Upper	7.95	86	Long Magazine Box	9.95
38	Upper Handguard Spring	1.49	87	Long Magazine Spring	3.19
39/40/41	Upper Handguard Support	9.95	88	Magazine Spring Guide Pin	.79
42	F/Sight Ramp and Hood	13.75	89	Short Magazine Box Base	.79
43	F/Sight	.79	90	Short Magazine Box	6.50
44	F/Sight Stop Screw	.35	91	Short Magazine Spring	3.19
45	F/Sight Ramp Stop Screw	.35	92	Stock Setscrew Wrench	2.50
46	Barrel Cap	2.50	93	F/Sight Adjust Tool	3.25
47	F/Sight Ramp & Hood Pin	.39	94	F/Sight Setscrew Wrench	1.20
48	Barrel	44.95	95	Sling	4.95
49	Cleaning Rod	3.95	96	Sling Buckle	.79
50	Lower Hand Guard Support	5.95	97	AK Long Magazine Body	17.95
51	Lower Hand Guard	19.95	98	AK Long Magazine Base	.89



Mitchell
ARMS