

Micro Desert Eagle Pistol
Owner's Manual
.380 Auto DAO Pistol



INTRODUCING
THE NEWEST
DESERT EAGLE

**NEVER
WALK
ALONE.**

Manufactured by
Magnum Research, Inc.



Before handling the pistol read this manual carefully and observe the following safety instructions.

Improper and careless handling of the pistol could result in unintentional discharge and could cause injury, death or damage to property.

The same consequences can be caused by unauthorized modifications or adjustments, corrosion, or use of non-standard or damaged ammunition.

This instruction manual should always accompany this pistol.

| | |
|---|----|
| State by State Warnings | 5 |
| Basic Rules of Firearm Safety | 7 |
| Safety Rules and Precautions | 10 |
| Pistol Description and Terminology | 16 |
| Operating Instructions | 16 |
| Ammunition | 16 |
| Removal of the magazine | 16 |
| Magazine loading | 16 |
| Pistol loading | 17 |
| Reloading during shooting | 17 |
| Unloading the pistol | 17 |
| Loaded chamber indicator | 17 |
| Maintenance Instructions | 18 |

| | |
|---|----|
| Care and Cleaning | 19 |
| Grip Plate Assembly | 20 |
| Technical Specifications | 21 |
| Removing Functional Failures | 21 |
| Exploded View | 22 |
| List of Parts | 23 |

STATE-BY-STATE WARNINGS

Certain states require by law that their own specified warning notices in larger-than-normal type be conspicuously included by the manufacturer, distributor, or retail dealer with firearms sold in that state. Magnum Research, Inc. sells its products in compliance with applicable laws and regulations. Because our products may be sold in these states, we include the following:

CALIFORNIA:

WARNING: Children are attracted to and can operate firearms that can cause severe injuries or death. Prevent child access by always keeping guns locked away and unloaded when not in use. If you keep a loaded firearm where a child obtains and improperly uses it, you may be fined or sent to prison.

CONNECTICUT:

"UNLAWFUL STORAGE OF A LOADED FIREARM MAY RESULT IN IMPRISONMENT OR FINE."

FLORIDA:

"IT IS UNLAWFUL, AND PUNISHABLE BY IMPRISONMENT AND FINE, FOR ANY ADULT TO STORE OR LEAVE A FIREARM IN ANY PLACE WITHIN THE REACH OR EASY ACCESS OF A MINOR UNDER 18 YEARS OF AGE OR TO KNOWINGLY SELL OR OTHERWISE TRANSFER OWNERSHIP OR POSSESSION OF A FIREARM TO A MINOR OR A PERSON OF UNSOUND MIND."

MAINE:

"ENDANGERING THE WELFARE OF A CHILD IS A CRIME. IF YOU LEAVE A FIREARM AND AMMUNITION WITHIN EASY ACCESS OF A CHILD, YOU MAY BE SUBJECT TO FINE, IMPRISONMENT OR BOTH. KEEP FIREARMS AND AMMUNITION SEPARATE. KEEP FIREARMS AND AMMUNITION LOCKED UP. USE TRIGGER LOCKS."

MARYLAND:

"WARNING: CHILDREN CAN OPERATE FIREARMS WHICH MAY CAUSE DEATH OR SERIOUS INJURY. IT IS A CRIME TO STORE OR LEAVE A LOADED FIREARM IN ANY LOCATION WHERE AN INDIVIDUAL KNEW OR SHOULD HAVE KNOWN THAT AN UNSUPERVISED MINOR WOULD GAIN ACCESS TO THE FIREARM. STORE YOUR FIREARM RESPONSIBLY!"

MASSACHUSETTS:

"WARNING FROM THE MASSACHUSETTS ATTORNEY GENERAL: This handgun is not equipped with a device that fully blocks use by unauthorized users. More than 200,000 firearms like this one are stolen from their owners every year in the United States. In addition, there are more than a thousand suicides each year by younger children and teenagers who get access to firearms. Hundreds more die from accidental discharge. It is likely that many more children sustain serious wounds, or inflict such wounds accidentally on others. In order to limit the chance of such misuse, it is imperative that you keep this weapon locked in a secure place and take other steps necessary to limit the possibility of theft or accident. Failure to take reasonable preventive steps may result in innocent lives being lost, and in some circumstances may result in your liability for these deaths."

"IT IS UNLAWFUL TO STORE OR KEEP A FIREARM, RIFLE, SHOTGUN OR MACHINE GUN IN ANY PLACE UNLESS THAT WEAPON IS EQUIPPED WITH A TAMPER-RESISTANT SAFETY DEVICE OR IS STORED OR KEPT IN A SECURELY LOCKED CONTAINER."

NEW JERSEY:

"IT IS A CRIMINAL OFFENSE TO LEAVE A LOADED FIREARM WITHIN EASY ACCESS OF A MINOR."

NEW YORK CITY:

"THE USE OF A LOCKING DEVICE OR SAFETY LOCK IS ONLY ONE ASPECT OF RESPONSIBLE FIREARM STORAGE. FOR INCREASED SAFETY, FIREARMS SHOULD BE STORED UNLOADED AND LOCKED IN A LOCATION THAT IS BOTH SEPARATE FROM THEIR AMMUNITION AND INACCESSIBLE TO CHILDREN AND OTHER UNAUTHORIZED PERSONS."

NORTH CAROLINA:

"IT IS UNLAWFUL TO STORE OR LEAVE A FIREARM THAT CAN BE DISCHARGED IN A MANNER THAT A REASONABLE PERSON SHOULD KNOW IS ACCESSIBLE TO A MINOR."

TEXAS:

"IT IS UNLAWFUL TO STORE, TRANSPORT, OR ABANDON AN UNSECURED FIREARM IN A PLACE WHERE CHILDREN ARE LIKELY TO BE AND CAN OBTAIN ACCESS TO THE FIREARM."

WISCONSIN:

"IF YOU LEAVE A LOADED FIREARM WITHIN THE REACH OR EASY ACCESS OF A CHILD YOU MAY BE FINED OR IMPRISONED OR BOTH IF THE CHILD IMPROPERLY DISCHARGES, POSSESSES, OR EXHIBITS THE FIREARM."

PLEASE CHECK WITH YOUR FIREARMS RETAILER OR STATE POLICE FOR ADDITIONAL REQUIREMENTS UNDER STATE OR LOCAL LAWS OR REGULATIONS. SUCH LAWS AND REGULATIONS CHANGE CONSTANTLY, AND LOCAL AUTHORITIES ARE IN THE BEST POSITION TO ADVISE YOU ON SUCH CHANGES.

BASIC RULES OF FIREARMS SAFETY

1. Treat all firearms as if they were loaded, at all times. Many accidents occur with firearms that are handled carelessly, because they are believed to be "unloaded". These accidents can be avoided by handling all firearms the same way you would handle a loaded firearm, at all times. Even after you verify that a gun is unloaded, you should continue handling it as you would a loaded gun, and make sure that others around you do the same.

2. Point the muzzle in a safe direction at all times. A "safe direction" is one in which, if the firearm were to discharge, there would be no injury to anyone. Never point a gun (whether you think it is loaded or unloaded - see Rule #1 above) directly at another person or at yourself. Consider that a bullet can ricochet (glance off) pavement, floors, walls, rocks, the ground, water, ice or almost any other object it strikes. Also, bullets can penetrate walls, ceilings, floors, doors, windows, and many other materials to kill or injure someone on the opposite side.

3. Keep your finger off the trigger and outside the trigger guard until you are aimed at a proper target and have decided to fire. If your finger is inside the trigger guard, you could fire your gun without intending to - for instance, if you were startled, or if you slipped or lost your balance. By keeping your finger outside the trigger guard until you are on target and intend to fire, you ensure that you will never hit anything you do not intend to.

4. Be sure of your target, and what is around and beyond it. The bullet fired from your pistol can travel over a mile, and has the potential to kill or seriously injure someone at that distance! Once you pull the trigger, you cannot call the bullet back, so you must positively identify your target before you fire. Never fire (for instance, at a noise,

a movement, a rustling bush, or a shape in the dark) until you have positively identified your target as something you intend to shoot. Fire only with a safe backstop behind your target - something that will stop and contain the projectiles you fire, even if you miss the target or your bullet passes through it.

5. Whenever you handle a firearm that, even momentarily, has been out of your direct control, start by checking its condition to determine whether or not it is loaded. A firearm in your hands is a lethal weapon which is YOUR responsibility, so YOU must check it yourself, NOW, not later. Do not rely on someone else to check it. Do not take someone else's word for the firearm's condition. Do not rely on your memory of having checked the firearm previously, or on your belief that you left it unloaded the last time you used or handled it. Check it again yourself now.

6. Never give a firearm to anyone, or take a firearm from anyone, unless it is unloaded and the action is open. If someone tries to hand you a firearm with the action closed, politely ask them to open it before you take it from them. If you need to open the action of a firearm with which you are not familiar, don't experiment, lest you make a fatal mistake! Instead, ask someone who knows how to handle the firearm to open the action and allow you to verify that

it is unloaded. If you can't find someone who knows how to handle the firearm, leave it alone!

7. Firearms should be unloaded when not actually in use. Load your firearm only when you are on the target range or in the field and ready to begin using it. Unload your gun as soon as you are finished shooting. Unload your gun before you bring it back into your car, camp or home. Never leave a loaded gun unattended, even for a moment.

8. Thoroughly read and understand the owner's manual and other literature supplied with this pistol. Never use any firearm unless you completely understand how it operates and how its safety features work. Contact Magnum Research, Inc. if you have any questions or concerns, or if you are not certain you have all the literature supplied with the firearm at the time it was first sold. Even if you understand everything in this manual, no manual can provide you with the benefits of hands-on firearms instruction. If you are not already an experienced firearms user, you should obtain training in the safe and proper use of firearms by attending one of the many firearms safety and shooting courses offered in all parts of the country by the National Rifle Association (telephone 703-267-1000), gun clubs and ranges, gun shops, shooting schools and other qualified sources of instruction.

9. Before firing any firearm, be sure it is in good working order and that the barrel is clear of dirt, grease, water, excess oil, rust, corrosion or any other obstruction.

10. Always wear high-quality ear and eye protection when shooting or observing, and be sure that others who are present do the same. Exposure to gunfire noise will cause permanent hearing loss (deafness) if good ear protection (either commercially manufactured ear plugs, earmuff-type hearing protectors, or both) is not worn. Close-fitting, impact-resistant shooting glasses or safety glasses of wraparound or side-panel design help to guard against potentially blinding eye injuries caused by granules of powder, splashback of fragments from the target or backstop, metal fragments which can result from a burst primer, etc. Never shoot a firearm, or allow yourself or others to be present where shooting is in progress, without both eye and ear protection in place. Eye protection can also provide important protection while you are disassembling and cleaning your firearms, both from flying firearms parts, and from aerosols and other solvents and cleaning fluids that can spray or splash into your eyes, causing serious eye injury.

11. Firearms, drugs and alcohol don't mix! Never handle firearms while under the influence of alcohol or drugs (including prescription medications) that can impair your normal senses, abilities, alertness, reflexes, perception or

judgment. Make sure everyone in your presence follows the same rule. Also, avoid handling firearms when you are ill, exhausted, upset or preoccupied with other concerns - safe firearms handling requires your full attention, and all of your abilities, unimpaired by other factors.

12. Any firearm which is not under your direct control should be stored so it is inoperable or inaccessible to children and other unauthorized users. Children are attracted to, and can find, load and operate firearms, causing serious injury or death to themselves and others. Preventing child access and tragic, avoidable accidents is YOUR responsibility, as an adult gun owner. The safest way to store firearms is unloaded, locked in a gun safe or vault.

13. Use only proper ammunition recommended for this pistol, and be sure the ammunition is the correct caliber for your gun. Most modern firearms have their caliber designation stamped into the firearm's barrel or receiver. Your ammunition box and cartridge head stamp should bear the exact same cartridge designation. Just because a cartridge fits into the gun doesn't mean it is safe to fire. Never fire ammunition which is damaged, corroded, or of questionable origin or condition. Firing even a single defective cartridge can destroy your Micro Eagle pistol and cause serious injury or death.

**SAFETY RULES AND PRECAUTIONS
FOR FIRING AND USE OF YOUR
MICRO DESERT EAGLE PISTOL**

WARNING! THE MICRO DESERT EAGLE PISTOL WILL FIRE WHETHER OR NOT A MAGAZINE IS IN THE GUN IF A CARTRIDGE IS IN THE CHAMBER. REMOVING THE MAGAZINE DOES NOT UNLOAD THE PISTOL, AND DOES NOT PREVENT THE PISTOL FROM FIRING! A CARTRIDGE LEFT IN THE CHAMBER AFTER THE MAGAZINE IS REMOVED CAN CAUSE SERIOUS INJURY OR DEATH IF THE TRIGGER IS PULLED! UNLOAD YOUR MICRO DESERT EAGLE PROPERLY, INCLUDING CHECKING THE CHAMBER BOTH VISUALLY AND PHYSICALLY.

WARNING! KEEP YOUR FINGER OFF THE TRIGGER AND OUTSIDE THE TRIGGER GUARD UNTIL YOU ARE AIMED AT A PROPER TARGET AND HAVE DECIDED TO FIRE. FAILURE TO DO SO COULD CAUSE SERIOUS INJURY OR DEATH.

WARNING! KEEP HANDS, FINGERS AND OTHER BODY PARTS FROM TOUCHING THE MUZZLE, BARREL OR CHAMBER AFTER FIRING, AS THEY COULD BE BURNED BY HOT METAL.

WARNING!
ANY FIREARM MAY FIRE IF DROPPED.

WARNING! FIRED CARTRIDGE CASES EJECTED FROM THE MICRO DESERT EAGLE ARE EXTREMELY HOT, AND CAN CAUSE SERIOUS BURNS. IN ADDITION, THE PAINFUL BURN FROM A HOT CARTRIDGE CASE CAN DISTRACT A SHOOTER FROM KEEPING HIS FIREARM POINTED SAFELY AND FROM OTHER SAFE HANDLING PRACTICES, CAUSING A DANGEROUS SITUATION OR

AN ACCIDENT. WHEN FIRING, STAY CLEAR, AND KEEP OTHERS CLEAR, OF THE RIGHT SIDE OF THE PISTOL, FROM WHICH THE HOT CARTRIDGE CASES ARE EJECTED. WEAR CLOSE-FITTING CLOTHING, AVOIDING CLOTHING WITH OPEN COLLARS AND NECKLINES INTO WHICH HOT CARTRIDGE CASES CAN FALL. A BASEBALL CAP OR OTHER BRIMMED HAT OR VISOR WORN SO THE BRIM COVERS THE TOP OF THE WEARER'S SAFETY GLASSES CAN OFFER ADDITIONAL PROTECTION TO THE WEARER'S FACE AND EYES, PREVENTING HOT CASES FROM FALLING INTO ANY GAP BETWEEN THE TOP OF THE SAFETY GLASSES AND THE WEARER'S FOREHEAD, POSSIBLY CAUSING A SERIOUS BURN TO THE EYE.

WARNING! CHILDREN ARE ATTRACTED TO, AND CAN FIND, LOAD AND OPERATE FIREARMS, CAUSING SERIOUS INJURY OR DEATH TO THEMSELVES AND OTHERS. PREVENT CHILD ACCESS BY ALWAYS KEEPING GUNS LOCKED AWAY AND UNLOADED WHEN NOT IN USE. IF YOU LEAVE A GUN LOADED OR UNLOADED WHERE A CHILD OBTAINS AND IMPROPERLY USES IT, YOU MAY BE FINED OR SENT TO PRISON OR BOTH.

WARNING! NEVER TRANSPORT OR CARRY A LOADED FIREARM IN A VEHICLE. ALWAYS TRANSPORT

OR CARRY YOUR PISTOL UNLOADED. A SUITABLE CARRYING CASE SHOULD BE USED TO TRANSPORT OR CARRY YOUR UNLOADED PISTOL TO AND FROM THE RANGE OR OTHER SAFE SHOOTING AREA. CHECK THE LAWS TO DETERMINE AND FOLLOW LEGAL REQUIREMENTS IN TRANSPORTING A FIREARM IN YOUR JURISDICTION. CLOSE THE PISTOL'S ACTION AND LOAD THE PISTOL ONLY WHEN YOU ARE AT THE RANGE OR OTHER SAFE SHOOTING AREA, READY TO BEGIN SHOOTING.

WARNING! NEVER CLIMB A FENCE, LADDER, TREE OR OTHER OBJECT, JUMP ACROSS A BROOK OR DITCH, CRAWL UNDER A FENCE OR OTHER OBSTACLE, WALK ACROSS AN ICY SURFACE, STEEP SLOPE OR OTHER AREA WITH POOR FOOTING, OR CROSS OTHER SLIPPERY OR PRECARIOUS TERRAIN OR OBSTACLES WITH A LOADED FIREARM. INSTEAD, UNLOAD THE CHAMBER OF YOUR FIREARM FIRST. WHEN CARRYING YOUR MICRO DESERT EAGLE IN THE FIELD, KEEP THE MUZZLE POINTED IN A SAFE DIRECTION AND CARRY THE PISTOL SO YOU CAN SAFELY CONTROL THE DIRECTION IN WHICH IT POINTS IN THE EVENT YOU STUMBLE, SLIP OR FALL.

WARNING! NEVER SHOOT AT A HARD SURFACE (ROCK, PAVEMENT, METAL, ICE, ETC.) OR AT THE SURFACE OF WATER, AS THE BULLET MAY RICOCHET (GLANCE OFF) THE SURFACE AND TRAVEL IN ANY DIRECTION, CAUSING SERIOUS INJURY OR DEATH TO SOMEONE YOU CANNOT SEE. SHOOT ONLY WHERE THERE IS A SAFE BACKSTOP (ONE WHICH WILL SAFELY STOP AND CONTAIN THE FIRED PROJECTILES), FREE FROM ROCKS, HARD OBJECTS AND OBSTRUCTIONS THAT COULD CAUSE RICOCHETS OR SPLASH-BACK OF PROJECTILES, FRAGMENTS, PEBBLES OR ROCK PARTICLES. CHECK LOCAL AND STATE LAWS TO BE SURE SHOOTING IS PERMITTED AT THE PLACE YOU INTEND TO SHOOT.

WARNING! USE ONLY APPROPRIATE ACCESSORIES FOR YOUR MICRO DESERT EAGLE PISTOL. BE SURE ALL ACCESSORIES, INCLUDING HOLSTERS, ARE COMPATIBLE WITH THE FIREARM AND DO NOT INTERFERE WITH ITS SAFE OPERATION. IF IN DOUBT, CONSULT MAGNUM RESEARCH, INC. THE MANUFACTURER IS NOT RESPONSIBLE FOR ANY DAMAGE OR INJURY CAUSED BY THE USE OF IMPROPER ACCESSORIES.

WARNING! WHEN SHOOTING, BE ALERT TO BE

SURE NO ONE COMES INTO THE LINE OF FIRE. CHECK THE BACKSTOP AND TARGET AREA CAREFULLY TO BE SURE IT IS FREE OF PEOPLE EACH TIME BEFORE YOU BEGIN TO FIRE.

WARNING! WHEN FIRING WITH A GROUP OF PEOPLE, PUT A RESPONSIBLE PERSON IN CHARGE TO MAINTAIN SAFETY, DISCIPLINE AND CONTROL. TO REDUCE THE CHANCE OF ACCIDENTS ON A FIRING RANGE, BE ALERT TO THE COMMANDS OF THE RANGE OFFICER, AND FOLLOW THEM PRECISELY AND IMMEDIATELY.

WARNING! DO NOT HANDLE A FIREARM WHEN ANYONE IS FORWARD OF THE FIRING POSITION. BEFORE ANYONE MOVES DOWNRANGE TO POST OR CHECK TARGETS OR FOR ANY OTHER PURPOSE, ALL FIREARMS SHOULD BE UNLOADED AND PLACED SAFELY ON THE BENCH WHERE THEY SHOULD NOT BE TOUCHED OR HANDLED UNTIL EVERYONE RETURNS FROM DOWNRANGE.

WARNING! DO NOT HANDLE FIREARMS WHEN YOU ARE TIRED, COLD OR IMPAIRED PHYSICALLY OR MENTALLY, IN ANY WAY.

WARNING! NEVER FIRE YOUR MICRO DESERT EAGLE NEAR AN ANIMAL, UNLESS IT IS TRAINED TO ACCEPT THE NOISE OF GUNFIRE. AN ANIMAL'S STARTLED REACTION TO THE SOUND OF GUNFIRE COULD INJURE IT OR COULD CAUSE AN ACCIDENT.

WARNING! NEVER CONTINUE TO USE YOUR MICRO DESERT EAGLE IF IT IS NOT FUNCTIONING PROPERLY. NEVER FORCE A JAMMED ACTION, AS THE JAMMED CARTRIDGE MAY EXPLODE IF THE PRIMER IS CRUSHED OR PRESSED AGAINST ANY METAL PART OF THE PISTOL.

WARNING! IF YOUR MICRO DESERT EAGLE FAILS TO DISCHARGE ("MISFIRE"), REMOVE YOUR FINGER FROM THE TRIGGER. KEEP THE PISTOL POINTED IN A SAFE DIRECTION FOR 30 SECONDS. REMOVE THE CARTRIDGE FROM THE CHAMBER AND DISPOSE OF IT PROPERLY.

WARNING! IF THE SOUND FROM YOUR AMMUNITION DOES NOT SOUND NORMAL, A LOW POWERED ("SQUIB") LOAD MAY HAVE LEFT A BULLET IN THE BARREL. IF THIS OCCURS, DO NOT FIRE ANOTHER CARTRIDGE! INSTEAD UNLOAD THE PISTOL AND REMOVE THE BARREL AND CHECK FOR A BARREL OBSTRUCTION. FIRING A CARTRIDGE WITH A BORE OBSTRUCTION CAN RESULT IN DESTRUCTION OF YOUR MICRO DESERT EAGLE AND POTENTIAL INJURY OR DEATH TO YOU OR SOMEONE NEARBY.

WARNING: AMMUNITION

NEVER USE AMMUNITION NOT SPECIFICALLY DESIGNATED FOR USE IN YOUR FIREARM. PROPER AMMUNITION FOR YOUR MICRO DESERT EAGLE WILL BE DESIGNATED ON THE SLIDE. FAILURE TO USE THE CORRECT TYPE OR CALIBER OF AMMUNITION MAY CAUSE THE FIREARM TO JAM, FAIL TO FIRE, CAUSE A BORE OBSTRUCTION OR MAY GENERATE EXCESSIVE PRESSURE WHICH CAN DESTROY THE PISTOL AND CAUSE PERSONAL INJURY OR DEATH.

NEVER USE NON-STANDARD, RELOADED OR "HANDLOADED" SHELLS. AMMUNITION THAT IS IMPROPERLY MANUFACTURED MAY FAIL TO FIRE, MAY RESULT IN A "SQUIB" LOAD RESULTING IN A BORE OBSTRUCTION OR MAY GENERATE EXCESSIVE PRESSURES WHICH CAN DESTROY THE PISTOL AND CAUSE PERSONAL INJURY OR DEATH.

USE OF NON-STANDARD OR RELOADED AMMUNITION NULLIFIES THE FACTORY WARRANTY. FOR MORE INFORMATION ABOUT OTHER COMMERCIAL LOADS WHICH WORK IN THE MICRO DESERT EAGLE PISTOL, WRITE TO MAGNUM RESEARCH, 7110 UNIVERSITY AVENUE NE, MINNEAPOLIS, MN 55432.

Initial Cleaning

1. Upon receipt of the pistol, disassemble (see page 18) and inspect it.
2. Clean pistol as per periodic maintenance procedure.
3. Any heavy or sticky deposits of protective material may be removed, using very light rust-preventive oil. After cleaning, wipe dry and coat lightly with gun oil.
4. Never use abrasive or metallic objects, synthetic cloth, dry cleaning fluids, detergents, acids, lye, water or steam for cleaning.
5. Reassemble pistol (see page 19) and make sure it is functioning properly.

WARNING

ALL FIREARMS ARE DANGEROUS OBJECTS - PISTOLS INCLUDED. ALWAYS CONSIDER THE PISTOL LOADED. TO RENDER IT SAFE, REMOVE THE MAGAZINE, AND EJECT ANY REMAINING ROUND BY PULLING THE SLIDE TO THE REAR. IT IS DANGEROUS TO ALTER OR MODIFY THIS FIREARM IN ANY WAY. ANY ALTERATIONS OR MODIFICATIONS OF THE FIRING MECHANISM MAY RESULT IN THIS FIREARM BECOMING UNSAFE AND NULLIFIES THE FACTORY WARRANTY. USER IS ADVISED TO READ THE ENTIRE MANUAL PRIOR TO HANDLING THE PISTOL FOR THE FIRST TIME.

WARNING: LEAD EXPOSURE

DISCHARGING FIREARMS IN POORLY VENTILATED AREAS, CLEANING FIREARMS, OR HANDLING AMMUNITION MAY RESULT IN EXPOSURE TO LEAD AND OTHER SUBSTANCES KNOWN TO CAUSE BIRTH DEFECTS, REPRODUCTIVE HARM, AND OTHER SERIOUS PHYSICAL INJURY. HAVE ADEQUATE VENTILATION AT ALL TIMES. WASH HANDS THOROUGHLY AFTER EXPOSURE.

AVOID EATING, HANDLING FOOD AND TOUCHING YOUR FACE AND EYES WHILE HANDLING OR CLEANING FIREARMS.

PISTOL DESCRIPTION AND TERMINOLOGY

The names of all pistol parts are presented in the section “ILLUSTRATION AND LIST OF PARTS”

Micro Desert Eagle is self-loading blowback operated pistol.

Characteristic features of this pistol are:

- comfortable grip and balance in either hand
- good results at shooting without aiming
- good accuracy
- long service life
- high reliability even at various weather conditions

Among the specific features of this pistol apart from the caliber, dimension, weight, magazine capacity for 6 rounds, trigger mechanism, surface finish, grip plate type and other specifications.

DAO /Double Action Only/

The trigger mechanism operates in a double action mode of fire. The hammer returns to the down position after each shot and for the subsequent shot must be cocked again by pulling the trigger.

OPERATING INSTRUCTIONS

AMMUNITION

Use only factory manufactured ammunition of appropriate caliber, which are in compliance with SAAMI /Sporting Arms

and Ammunition Manufacturers Institute, Inc. of the United States. The use of other cartridges could damage the pistol or cause injury to the shooter. **Reloaded ammunition voids all warranty and liability.**

REMOVAL OF THE MAGAZINE

Hold the pistol in your right/left hand and depress the magazine catch with the thumb/middle finger. The magazine will slightly protrude from its housing and then it can be caught and removed with the other hand.

MAGAZINE LOADING

With the open end uppermost, grasp the magazine in one hand. Place a cartridge on the magazine follower. Press the cartridge down and back until it touches the rear flat edge of the magazine. Place the next cartridge on top of the previous cartridge and press down and back.

We recommend that when some cartridges are already loaded in the magazine, depress them slightly with the thumb of the hand which holds the magazine.

The number of cartridges can be checked through the inspection holes in the sides of the magazine. Do not try to exceed the magazine capacity - doing so can cause a feeding failure or damage the magazine.

PISTOL LOADING

CAUTION: Always make sure the pistol is pointed in a safe direction when loading!

Insert a loaded magazine and ensure that it has engaged the magazine catch.

Hold the pistol by the grip with one hand and with the thumb and index finger grasp the serrated finger grips on both sides of the slide. Retract the slide to the stop and allow it to snap forward. This procedure inserts a cartridge into the chamber. The pistol is now ready to fire.

RELOADING DURING SHOOTING

When the last cartridge has been fired the slide return to the front position. Make sure that there is no cartridge in the chamber, check loaded chamber indicator and visually inspect chamber. Remove the empty magazine and replace it with a loaded one. With the other hand draw back the slide and allow it to snap forward. The pistol is again loaded and ready to fire.

UNLOADING THE PISTOL

ALWAYS MAKE SURE THE PISTOL IS POINTED IN A SAFE DIRECTION!

- remove the magazine
- hold the slide in rear position and verify the last cartridge has been extracted from the chamber and ejected
- let the slide snap fully forward
- depress the trigger / dry fire

LOADED CHAMBER INDICATOR

Loaded chamber indicator like red line is placed on the ejector and it indicates a cartridge loaded in the cartridge chamber. If you can not see this red line - cartridge chamber is empty. However, you must always check and verify that the chamber is empty.

MAINTENANCE INSTRUCTIONS

STRIPPING FOR CLEANING - DISASSEMBLY

POINT YOUR PISTOL IN A SAFE DIRECTION!

1. Remove the magazine. The pistol must not be disassembled with the inserted magazine!
2. MAKE SURE THAT THERE IS NO CARTRIDGE IN THE CHAMBER !
3. Grasp the slide and move on backward so that the assembly line on slide and point on frame were in lining - up. Then hold the slide in this position with the hand holding the frame.
4. Grasp with the other hand the barrel and turn it about 180° clockwise and barrel is unlocked.
5. Release the slide and pull it forward off the frame. Barrel and recoil springs (2 of them) with guide stay in the slide.
6. Remove the recoil springs with guide, remove the barrel so that you turn lug down and press to the slide - barrel shifts out the bottom of the slide.

No further disassembly is needed for routine maintenance. When 400-500 cartridges have been fired, disassemble firing pin and magazine, and clean.

FIRING PIN DISASSEMBLY

Push in the rear end of firing pin using a suitable tool, below the level of the firing pin stop and shift the firing pin stop approximately 1/8" (2 mm) down. Then cover the firing pin stop with your thumb in order not to lose the spring loaded firing pin and with the other hand pull the firing pin stop completely off the slide. Be very careful at this stage of the disassembly procedure, as the firing pin is spring loaded and can fly out.

SLIDE ASSEMBLY

After cleaning slide assemble. Put firing pin with spring in slide. Prepare firing pin stop in the other hand. Push in the rear end of firing pin using a suitable tool and put firing pin stop in the slide about 1/8" (2 mm), so that the firing pin stop catches the firing pin. Then pull out a tool and strike firing pin stop to the slide as far as firing pin drops in the hole in firing pin stop.

PISTOL ASSEMBLY AFTER CLEANING.

1. Put the barrel in the slide and turn it so that the barrel lug is overhead inside the ejector port.
2. Do not press the trigger, before you put on the slide. (It could be turned the pin and the slide could not be put in. In this case you have to put slide onto the guide without spring and pin compare in the guide).
3. Put recoil spring on the frame. Hold slide with barrel in right hand and put it on the guide in the frame as long as the assembly line and point were in lining - up. Then turn barrel about 180° to the left as the barrel is locked in the frame and pistol is assembled.

CAUTION:

NO FUTHER DISASSMEBLY IS NEEDED! If you assume that pistol is damaged, give it to a competent gunsmith.

CLEANING THE PISTOL

Clean the pistol :

- each time you use it
- if you get your pistol wet
- as soon as possible after shooting
- at least twice a year in a mild climate
- as often as once a month in a humid climate

CLEANING THE BARREL BORE AND THE CARTRIDGE CHAMBER

If the pistol has not been fired or if only a few cartridges have been fired, clean the barrel bore and cartridge chamber by the clean patch attached to the cleaning rod. Repeat the cleaning, changing patches until the last patch comes out clean.

When the barrel bore is very dirty apply a pistol cleaning solution using a cleaning brush. Let the solvent act for about 10 minutes / this time depending on the solvent agent being used. Then thoroughly scrub out the barrel bore. Subsequently, dry the barrel bore and cartridge chamber with a clean patch and check that all powder residues or fouling have been removed. If necessary repeat this procedure. The cleaning rod and the brush must be inserted into the barrel bore from the chamber, to prevent wear or damage to the muzzle. pass the brush all the way through the barrel bore before reversing the movement. If you try to change directions with the brush in the barrel the brush could stick.

CLEANING OF OTHER PARTS

Other parts of the pistol (including barrel surface and gas channels in the barrel) should be cleaned with a dry cloth, old toothbrush, brass bristle brush or a wooden scraper. Use good quality oils and solvents in accordance with their manufacturers instructions, Magnum oil, etc. is highly recommended! Check that cloth particles or brush bristles have not become lodged in any part of the pistol.

PRESERVING

When the barrel bore, cartridge chamber and all accessible parts are clean and dry, wipe these parts with a cloth soaked in gun oil or apply the oil in a spray. Remove all excess oil. Before shooting always wipe the barrel bore dry. At very low temperatures remove the oil from all accessible parts or apply a lubricant prepared especially for these conditions. Use thick preserving agents for example, preserving grease only for a long term storage in demanding climate environments and before any use of the pistol it must be thoroughly removed from all parts of the firearm.

GRIP PLATE ASSEMBLY PROCEDURE

Push the grip plate dovetail under 10° angle into the frame dovetail (see Fig. 1) and press it down to frame in the place of screw hole. This helps to catch the dovetail of the grip plate in the frame ensuring its precise mesh (see Fig. 2), then insert the screw and tighten the same properly, yet with feeling.

If the grip plate has not been seated and caught in the frame dovetail and the screw is fastened, the grip plate is likely to get damaged.

Use the reverse procedure for removing the grip plate.

Fig. 1

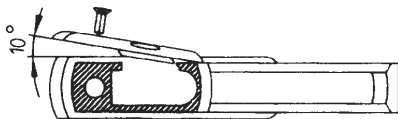


Fig. 2



TECHNICAL SPECIFICATION

| | |
|--------------------------------|---------------------------|
| Model | Micro Desert Eagle Pistol |
| Caliber | 380 Auto (9 mm Browning) |
| Length | 4.52" / 116 mm |
| Height | 3.71" / 95 mm |
| Width | 0.90" / 23 mm |
| Length of the barrel | 2.22"/57 mm |
| Weight empty | 14 oz. / 400 g |
| Magazine capacity | 6 rounds |
| Trigger mechanism | DAO |
| Safety | DAO |
| Sights | fixed / non - adjustable |

REMOVING FUNCTIONAL FAILURES

The probability of failures is minimum, as long as the rules of proper use and maintenance are kept. Anyway, if any problem should occur, please observe the following instructions.

ATTENTION - in case of any malfunction, the probability of an accidental shot is considerably higher. That is why all safety rules shall be observed with utmost care. Aim always to a safe area, do not turn the pistol against yourself or other persons, do not put your hands in front of the muzzle!

If the problem can not be handled by any of the recommended procedure you will be well advised to have the pistol inspected and repaired by a competent gunsmith.

| Failure | Probable cause | Troubleshooting |
|---|---|--|
| The cartridge has not been fed to the chamber | The magazine is not sufficiently inserted or is damaged. The weapon or the cartridge are dirty. | Insert the magazine properly or use another. Clean the weapon and the cartridges to be dry, or possibly slightly lubricate. |
| Misfire | Defective cartridge. Impurities in the opening for firing pin | Pull the trigger again. If no shot follows, proceed according to point 19 of the safety instructions. Remove and clean the firing pin. |

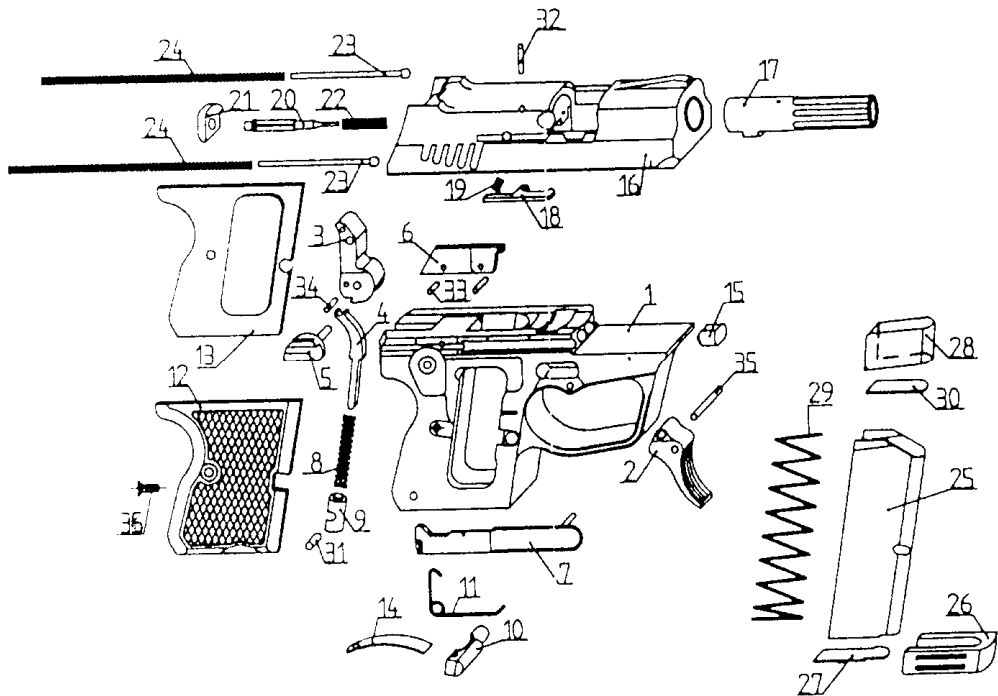


ILLUSTRATION AND LIST OF PARTS

- | | | |
|------------------------|-------------------------|-----------------------|
| 1. Frame | 13. Grip panel - left | 25. Magazine body |
| 2. Trigger | 14. Strip | 26. Magazine base |
| 3. Hammer | 15. Inset | 27. Magazine lock |
| 4. Main spring guide | 16. Slide | 28. Follower |
| 5. Pin | 17. Barrel | 29. Magazine spring |
| 6. Ejector | 18. Extractor | 30. Weight |
| 7. Bar | 19. Extractor spring | 31. Plug pin |
| 8. Main spring | 20. Firing pin | 32. Extractor pin |
| 9. Padding | 21. Firing pin stop | 33. Ejector pin |
| 10. Magazine catch | 22. Spring | 34. Hammer pin |
| 11. Bar spring | 23. Recoil spring guide | 35. Trigger pin |
| 12. Grip panel - right | 24. Recoil spring | 36. Grip panels screw |

The manufacturer reserves the right to carry out any amendments that he considers as necessary for improving the models, or for respecting the requirements of manufacturing practice or trade.



Manufactured by
Magnum Research, Inc.

7110 University Avenue NE
Minneapolis, MN 55432
(763) 574-1868
www.magnumresearch.com

MRI reserves the right
to change specifications.

