



KNIGHT[®]

Born to Hunt

Knight[®] Rifles Instructions and Safety Manual

WARNING

Muzzleloaders can seriously or fatally injure shooters and bystanders if not handled properly. Before you use your muzzleloader, read this manual, and watch the instructional DVD.

Do not use smokeless powder!

Contents

Introduction	2	DISC Extreme™ .45/.50/.52 and Long Range Hunter	30
Safety Definition	2	Action and Safety Systems	30
Unpacking Your New Knight Muzzleloader	3	Disassembly and Assembly	31
Getting to Know Your New Knight Muzzleloader	3	209 Conversion Non-Full Plastic Jacket Breech Plugs	32
Basic Safety Rules	4	Bighorn™ .50/.52 Wolverine™ .50	34
Basic Firearm and Muzzleloader Safety Rules	4	TK2000™ Shotgun	36
Special Muzzleloader Safety Rules	5	Action and Safety Systems	39
Care and Cleaning	6	Disassembly and Assembly	39
Loading and Firing	7	209 Conversion Non-Full Plastic Jacket Breech Plugs	40
Preparing to Load	7	Knight Rolling Block (KRB7)	41
Loading Instructions for Rifles	7	Action and Safety Systems	42
Priming the Full Plastic Jacket	8	Disassembly and Assembly	44
Loading Instructions for the TK2000	8	Knight Parts™	46
Muzzleloading Shotgun	8	Knight Warranty™	51
Firing	9	Service Policy	51
Reloading	10	Instructions for Return	51
Recommended Loads	12	Warranty Limitations	53
Recommended Loads for the TK2000 Shotgun	12	Limited Lifetime Warranty (Bighorn™, TK2000™, Wolverine™)	54
Recommended Loads for Rifles	13	Limited Lifetime Warranty Extended Service Policy (DISC™ Extreme, Long Range Hunter, Knight Revolution™, Knight Vision™, KRB7)	54
Ballistics Chart	14		
Adjustments	15		
Trigger Adjustment	15		
Sighting In	15		
Breech Plugs	16		
Knight Vision™ .50	17		
Safety System	19		
Disassembly and Assembly	19		
209 Conversion Non-Full Plastic Jacket Breech Plugs	20		
Knight Revolution™ .45, .50, .52	21		
Safety System	23		
Disassembly and Assembly	23		
209 Conversion Non-Full Plastic Jacket Breech Plug	24		
DISC Extreme™ .45/.50/.52	26		
Long Range Hunter	28		

Dear Knight Rifle® owner, congratulations! As a member of the Knight family, you now own the tradition of the past with the technology of the future. Knight Rifles has helped muzzleloading mature from a nostalgic interest into a true hunting sport. Every year, numerous world records are taken across the globe. With your Knight muzzleloader, you can expect unmatched accuracy on the range and in the field.

Hunting with a Knight muzzleloader is a unique compromise between the challenge of using a bow and the devastating knockdown power of a center-fire rifle. Offering the best of both worlds, your Knight muzzleloader will make your hunting experience the best it can be.

We know that you will derive many hours of shooting and hunting pleasure from your new Knight muzzleloader. We look forward to your letters, pictures and any comments that you may have on how we can enhance your muzzleloading experience.

Your Partners in the field,

The Knight “Born to Hunt” Team

Safety Definition

In this manual, keep the following definition in mind to help you understand and use the safety information that is present throughout the manual:

⚠WARNING

Indicates information regarding a hazardous situation, which, if not avoided, may result in death or serious injury.

Introduction

Unpacking Your New Knight Muzzleloader

Knight muzzleloaders are delivered factory-packaged, preserved with a coating of protective oil, and placed in a corrosion resistant bag for shipping. Before loading and firing, make certain that all protective oil has been cleaned from the bore, breech plug, nipple, and exposed firing mechanisms. Your muzzleloader has been tested, inspected, and properly packaged at the factory. Knight Rifles cannot control product handling after shipment. Please examine this muzzleloader carefully at the time of purchase to ensure that it is unloaded and undamaged. Your dealer will be pleased to assist you in making this examination and will answer any additional questions you may have.

Getting to Know Your New Knight Muzzleloader

Before loading and firing your new Knight muzzleloader, it is important that you get to know your new muzzleloader. Read this manual to learn about muzzleloading in general and the features, limitations, and capabilities of your particular muzzleloader. Watch the instructional DVD provided with your muzzleloader to learn more about how to operate and maintain your muzzleloader. The first part of the manual applies to all models. The second part contains a section with specific information about each model.

It is important that you select appropriate priming devices, amount and kind of propellant, and projectiles for your model.

All Knight muzzleloaders are equipped to use 209 shotshell primers as priming devices. Some are also able to utilize percussion caps. Most Knight muzzleloaders feature the Full Plastic Jacket Ignition System Concept™ (DISC), which allows you to utilize a 209 shotshell primer as the ignition source, completely weatherproofing the receiver area. The hotter shotshell primer ignition puts more fire into the breech end ensuring spontaneous ignition, faster lock time, consistent velocity, and a hotter burn of the powder charge for a cleaner breech area. This contributes to better accuracy.

Knight muzzleloaders use Black Powder FFg, or industry approved black powder substitute. Some models can also use pelletized powder.

⚠WARNING There are many black powder substitutes available. Read and follow all instructions and warnings provided by the manufacturer of the propellant you choose.

Knight muzzleloaders use a variety of projectiles, depending on the model.

⚠WARNING Knight Rifles does not recommend the use of non-saboted lead projectiles. These bullets can easily be moved from the powder charge. This will result in an obstructed barrel, and, upon firing, could cause an explosion. If you choose or legally have to shoot non-saboted lead projectiles, always check that your projectile is properly seated immediately before priming and firing.

⚠WARNING

Muzzleloaders can seriously or fatally injure shooters and bystanders if not handled properly. Before you use your muzzleloader, read this manual, particularly these Basic Safety Rules, and watch the instructional DVD.

Supervise and teach muzzleloading and firearm safety to all members of your family. Never lend your muzzleloader to anyone who is not thoroughly familiar with its operation and the basic rules of muzzleloading safety. Be certain that anyone using your muzzleloader has read and understands this Instruction and Safety Manual. Always be defensive and on guard against unsafe gun handling around you and others.

Knight muzzleloaders are designed to function properly in their original condition. Do not jeopardize your safety or the safety of others by modifying your muzzleloader.

Basic Firearm and Muzzleloader Safety Rules

Many of the safety rules for muzzleloaders are the same as those for firearms. The best way to learn about firearm safety is a course taught by an NRA-approved or other qualified instructor. Check with your local gun clubs and firearm dealers. Here are a few of the most important general firearm safety rules:

Handling, loading, and unloading

- Always handle all firearms and muzzleloaders as if they were loaded. Keep the muzzle pointed in a safe direction. Never point your firearm or muzzleloader at anything you do not intend to shoot!
- Keep your safeties on *safe* while handling and loading.
- Unload when not in use and never store a loaded firearm or muzzleloader. Remember to unload before cleaning too.
- Never intentionally drop a firearm or muzzleloader when loaded.
- Never climb with your firearm or muzzleloader. Use a rope or strap to lift and lower your unloaded firearm or unprimed muzzleloaders.

Avoid injuries when firing

- Always wear adequate eye and ear protection when shooting.
- Never fire a firearm or muzzleloader with worn, broken, or modified parts.
- Never drink alcoholic beverages or take any type of drugs before or during shooting.
- Be sure of your backstop, what lies beyond, and the safety of bystanders, before you shoot.

Follow hunting safety rules

- Never hunt from a treestand without a full body harness.
- Be aware of and follow the local hunting safety regulations.

Basic Safety Rules

⚠WARNING

Even if you are proficient with other firearms, rifles, or other similar muzzleloaders, be sure to read the special muzzleloader safety rules below, as there may be features or functions of this product that you are not familiar with.

Special Muzzleloader Safety Rules

Avoid accidental firing

A muzzleloader can seriously or fatally injure you or bystanders due to accidental firing when it is primed with a priming device (either a 209 shotgun primer or percussion cap) but not loaded, when it is loaded with powder and a projectile but not primed, or when it is both primed and loaded.

- Know your safety systems. Some models have two safety systems, while others have only one. Use all of the safety systems on your muzzleloader whenever you are not ready to fire.
- Keep your muzzle pointed in a safe direction if your muzzleloader fails to fire. It could fire after a delay.
- Remove the priming device before crossing a fence, climbing a tree, jumping a ditch, or negotiating other obstacles. A primed muzzleloader can fire if dropped or impacted.
- Never rest the firing pin or striker against the priming device. An impact in this condition could cause the muzzleloader to fire, even with safeties engaged.
- Always swab the barrel with a moistened patch between shots to clean out hot embers that could ignite powder.

Load properly

Improper loading can cause your muzzleloader to fire accidentally or explode. Follow these safety rules regarding loading and the loading procedures in this document.

- Never use smokeless powder in Knight muzzleloaders.
- Never exceed the recommended maximum powder charge for your Knight muzzleloader. Please see individual models for recommended load limits of Black Powder FFG, or industry approved black powder substitute by volume or its equivalent for Knight Rifles. See your specific rifle's page for maximum powder charges.
- Make sure your muzzleloader is unloaded before attempting to load.
- Never install a percussion cap or primer on the nipple before loading.
- Be sure that the barrel and nipple flash channel are clear of any obstruction.
- Never use lubricants when shooting any of Knight's sabot/bullets™.
- Be sure the bullet is firmly seated on the powder charge.

Always clean and lubricate your muzzleloader after each day's shooting. A muzzleloader must be free of rust, dirt, grease, and powder residue to function safely and reliably. Careful maintenance, which includes inspection of all components to determine if they are in proper working order, is absolutely essential. Muzzleloaders use Black Powder FFg or industry approved black powder substitutes that are highly corrosive, and when fired will deposit corrosive particles and residue in the bore, breech plug, hammer, receiver, trigger and other parts of the rifle.

Rifle grade stainless steel is more rust and corrosion resistant than blued steel, but it is not rust proof. To insure your stainless steel rifle remains in superior condition, clean, oil, and store it in the same manner as a blued steel rifle.

Basic cleaning equipment needed: ramrod with bore brush (fiber or brass), cleaning jag, patches, powder solvent, breech plug grease, water displacing oil, small lint-free cloths, pipe cleaners, and a toothbrush.

⚠WARNING

Before cleaning, be certain that the rifle is unloaded and that no primer is in the receiver. Cleaning a loaded or primed rifle may result in accidental discharge.

1. Disassemble your rifle as described in your specific model's section of this manual. Take care to put all small parts and similar components in a tray.
2. Clean rifle with soap and water or an approved solvent. Do not use soaps with chlorides, lye, or bleach in them; the chemicals may remove blueing on your barrel.
3. Clean your rifle from the breech end. Place your breech plug and hammer in hot soapy water or Knight Solvent™. Do not use water to clean triggers for DISC Extreme, Long Range Hunter, Vision, Big Horn, Wolverine, and TK2000. Only a solvent should be used to clean these Knight Rifles. The Revolution's and Knight Rolling Block's triggers are attached to the action and can be cleaned with soapy water and/or solvent. Clean with appropriate material and lubricate sear. Don't allow barreled action and other rifle parts to soak in soapy water or solvents for extended periods.
4. Use a Knight Range Rod or a ramrod with a Knight Bullet Starter™ handle and an attached cleaning jag. With the muzzle still in the hot soapy water, place a patch over the rear of the receiver and push into the barrel. Scrub the bore vigorously to completely remove all foreign matter, powder residue, and fouling. Repeat this as many times as necessary to get a clean bore.
5. Thoroughly scrub and clean the breech plug threads in the receiver. A tooth brush, bottle brush, or bullet starter with adapter and 20 gauge shotgun brush work well for this task.
6. Using a toothbrush or pipe cleaner, thoroughly clean the receiver, hammer, breech plug, trigger and other components of all residues, fouling, etc.
7. Thoroughly dry all metal surfaces and generously lubricate your rifle inside and out using Knight oil™ with rust inhibitor.
8. Reassemble your muzzleloader according to the instructions in your model's section of this manual.

Loading and Firing

⚠WARNING

To reduce the risk of accidental discharge, explosion, serious injury or death, always follow this complete procedure for loading and firing.

Always wear proper eye and ear protection and be sure to keep muzzle pointed in a safe direction away from the body when preparing to load, loading, and firing.

Preparing to Load

⚠WARNING To reduce the risk of accidental discharge, perform the following checks:

1. Confirm that all safeties are functioning properly and are in the *safe* position.
2. Check that there is no primer, either live or spent, installed.
3. Place the rifle butt on the ground, remove the ramrod, and place it in the bore. If the ramrod tip is near flush with the muzzle, the rifle is unloaded and the bore free from obstruction. Remove the ramrod from the barrel.

After your rifle has been cleaned and oiled, you must clear the breech plug firing hole of any oil and debris prior to use. This is done as follows:

1. Install a primer. Point the muzzle at the ground and hold 4 to 6 inches from dirt or grass. Place safeties in the *fire* position and fire a primer. Observe the dirt or grass move when the primer is fired. This will indicate that the breech plug flash channel is clear. If the flash channel is not clear, clear it of debris before proceeding. Repeat this step one more time. Always remove the spent primer after each ignition.
2. Return safeties to the *safe* position.
3. Leave the action open during swabbing and loading (except the Knight Vision, which is a break open action).
4. Place the butt of the rifle on the ground. Screw the cleaning jag into the end of the ramrod. Moisten a cleaning patch with Knight Easy Clean and wring any excess liquid out with your fingers. Using short, quick strokes of your ramrod and cleaning jag, swab the entire bore several passes with the wet patch until it contacts the breech plug. Place a dry patch on the jag and swab the entire barrel again, making sure to contact the breech plug.

This process will help prevent misfires and hangfires. It will also improve First Shot Accuracy by removing grease and oils left in the bore during cleaning.

Loading Instructions for Rifles

1. Make sure that all safety systems are engaged before loading and that there is no primer, live or spent, installed. For the KRB7, confirm that the rolling block is rotated to the open position.
2. Place the butt of the rifle on the ground so that the muzzle is facing up and away from the body.
3. If using loose propellant, set your powder measurer to the desired amount and fill the powder measure. Pour powder into the muzzle. **⚠WARNING** To reduce the risk of an explosion, do not pour directly from the propellant container, do not exceed

recommended loads (see load chart on page 13), and only load your Knight Rifle with a recommended black powder or black powder substitute. Never use smokeless powder!

4. If using pelletized powder, place the recommended number of pellets into the muzzle. **⚠️WARNING** To reduce the risk of an explosion, do not exceed recommended loads (see load chart on page 13).
5. If using sabots, place the bullet firmly in the proper sabot so that the bullet's base is squarely seated.
6. Insert the projectile and start it down the bore using a Knight Bullet Starter.
7. Using a hand over hand motion, drive the bullet down onto the powder charge using the concave end of the ramrod or cleaning jag. Do not pound or bounce the ramrod on the bullet. This will deform or displace the projectile, causing loss of accuracy and bullet performance. If using pelletized powder, this can also crack or crush the pellets, resulting in loss of accuracy or performance. **⚠️WARNING** If the bullet is not seated firmly on the powder charge, the rifle may explode when fired.
8. Remove your ramrod from the bore.
9. Double check your trigger and secondary safeties and be sure that both are on *safe*. Be sure the rifle is pointed in a safe direction. Depending on your model, pull the hammer assembly rearward until the hammer locks into firing position, open the bolt on a DISC Rifle, or release the drop or break-open action.
10. Insert a priming device or 209 primed DISC Full Plastic Jacket. Close the bolt and drop or break-open action.

⚠️WARNING Your rifle is now armed. Do not point your rifle at anything that you do not want to shoot.

Loading Instructions for the TK2000 Muzzleloading Shotgun

1. Make sure that all safety systems are engaged before loading and that there is no primer, live or spent, installed.
2. Place the butt of the shotgun on the ground so that the muzzle is facing up and away from the body.

Priming the Full Plastic Jacket

DISC Extreme and Long Range Hunter

1. Insert the 209 shotgun primer into the large end of the Full Plastic Jacket.



2. Lift the bolt and pull back. Place the Full Plastic Jacket™ into the breech and close the bolt.



3. A weather-proof seal is formed over the primer and nipple.



Loading and Firing

3. Measure out either FFg black powder, or industry approved black powder substitute and pour into the barrel (120 grains maximum). Suggested 100 grain max when using T7. **⚠️WARNING** To reduce the risk of an explosion, do not pour directly from the propellant container, do not exceed recommended loads (see load chart on page 12), and only load your Knight Rifle with a recommended black powder or black powder substitute. Never use smokeless powder! Do not use pelletized powder. It does not fit the 12-gauge bore properly and can an explosion, delayed ignition, or no ignition.
4. Push an empty shot wad down the bore with the smaller end of the ramrod, seating the wad firmly on the powder charge. Fill a spare shot wad (of the same size) full with your choice of shot size, and carefully pour shot from the spare wad down the bore. Maximum of 2 1/2 oz. of shot.
5. Push an over-shot wad down the bore with the jag end of the ramrod. Do not be concerned if the over-shot wad starts in sideways, as it will straighten itself out on the way down. Make sure the wad is firmly seated on the shot.
6. With both safeties on and the muzzle pointed in a safe direction, prime the gun.
⚠️WARNING Your shotgun is now armed. Do not point your shotgun at anything that you do not want to shoot.

Firing

1. With your action locked into the firing position and all safeties on, bring the muzzleloader to your shoulder and put the desired target in your sights.
2. When you are ready to shoot, screw the secondary safety in a counterclockwise motion until it rests against the face of the hammer screw (except Knight Revolution, Knight Rolling Block and Knight Vision).
3. Sight in on the target, move the trigger safety to *fire*.
4. The muzzleloader can now be fired with the squeeze of the trigger. Be confident of your target and squeeze to fire.

Reloading

1. Return all safeties to the *safe* position.
2. Remove live or spent percussion caps and primers from your firearm.
3. Leave the action open during swabbing and loading (except break open actions which should remain closed.)
4. Place the butt of the rifle on the ground.
5. Screw the cleaning jag onto the ramrod.
6. Moisten the cleaning patch with Knight Easy Clean and wring any excess out with your fingers.
7. Using short, quick strokes with your ramrod and cleaning jag, swab the entire bore several passes with the wet patch until it makes contact with the breech plug. Remove and discard the soiled patch.
8. Place a dry patch on the jag and swab the entire barrel again, making sure to contact the breech plug.

This process will ensure better shot to shot accuracy.

⚠️WARNING Failure to swab the bore as instructed before reloading may leave hot residue in the bore which could result in an accidental discharge during loading.

⚠️WARNING There are many black powder substitutes available. Read and follow all instructions and warnings provided by the manufacturer of the propellant you choose.

This page left blank intentionally.

Recommended Loads

Knight Rifles are designed to perform best between 90 and 150 grains of Black Powder FFg, or industry approved black powder substitute. See maximum recommended load for specific models.

▲WARNING Never use smokeless powder. It can cause your muzzleloader to explode.

When determining the best load for your Knight Rifle, follow these steps:

1. Determine which game you intend to hunt and what bullet weight you intend to use. (see page 13)

▲WARNING Knight Rifles does not recommend the use of non-saboted lead projectiles. These bullets can easily be moved from the powder charge. This will result in an obstructed barrel, and, upon firing, could cause an explosion. If you choose or legally have to shoot non-saboted lead projectiles, always check that your projectile is properly seated immediately before priming and firing.

2. Sight in your rifle. Start with 100 grains of Black Powder FFg, or industry approved black powder substitute. If you don't achieve the desired results, go up or down in 10 grain increments and try sighting again.

Recommended Loads for the TK2000 Shotgun

Turkey

SHOT:

Use #4, #5, or #6 Knight Red Hot lead shot, depending on your preference.

POWDER:

FFg black powder or industry approved black powder substitute - 100 to 120 grains. Use whichever is more comfortable for you or shoots the best pattern.

CHOKE:

Use the extra-full choke that comes with the gun for the tightest patterns possible, and use only lead shot with this choke.

WADS:

Knight 3 1/2" shot wads.

Upland Game

SHOT:

Use #4, #5, or #6 Knight Red Hot lead shot, depending on your preference.

POWDER:

FFg, black powder or industry approved black powder substitute - 100 to 120 grains.

WADS:

Standard 1 1/8th ounce 12 gauge shotgun wads.

We strongly suggest you take the time to pattern your gun before hunting. Your sights may need to be adjusted, as may your loads. Try varying shot sizes and powder charges to find the best pattern to suit your needs.

The following chart is intended to be used as a reference to assist you in determining what Knight bullet to use for what game. It is for reference only. You should ultimately decide what works best for you. All bullets are assumed to be in Knight's High Pressure Sabors™.

GAME SIZE	BULLET WEIGHT	LOAD	POWDER TYPE
Antelope, Whittail, Mule Deer	.45 cal = 175, 195 Red Hors	120 - 150	Loose or Pelleted Powder
	.50 cal = 250, 300 Red Hors	100 - 150	Loose or Pelleted Powder
	.50 cal = 245, 285 Spitzer Boat Trails	100 - 150	Loose or Pelleted Powder
	.52 cal = 275, 350, 375 Red Hors	130 - 150	Loose Powder ONLY
	.50 cal = 310 Lead	90 - 120	Loose or Pelleted Powder
Elk, Caribou, Moose	.50 cal = 260 Jacketed Hollow Point	90 - 120	Loose or Pelleted Powder
	.50 cal = 250, 290 Polymer Tip	100-150	Loose or Pelleted Powder
	.50 cal = 250, 300 Red Hors	100 - 150	Loose or Pelleted Powder
Big & Dangerous Game	.52 cal = 275, 350, 375 Red Hors	130 - 150	Loose Powder ONLY
	.50 cal = 285 Spitzer Boat Trails	100 - 150	Loose or Pelleted Powder
	.50 cal = 310 Lead	90 - 120	Loose or Pelleted Powder
	.50 cal = 300 Jacketed Hollow Point	90 - 120	Loose or Pelleted Powder
	.50 cal = 250, 290 Polymer Tip	100-150	Loose or Pelleted Powder

Recommended Loads for Rifles

- 1) Knight Rifles are designed to perform best with Black Powder FFG, industry approved black powder substitute, loose or pellets.
- 2) Smaller bullet weights will provide flatter trajectory, but may not be as accurate as the heavier, longer bullets.
- 3) Heavier bullets will give better penetration and more energy transfer and are more suited to heavier powder charges.

* Chart was produced using input from our customer's hunts and from results obtained by Knight Personnel.

BULLET DESCRIPTION	100 grains Triple 7 pellets				150 grains Triple 7 pellets			
	BULLET RANGE	IMPACT	VELOCITY	ENERGY	BULLET RANGE	IMPACT	VELOCITY	ENERGY
	(yards)	(inches)	(ft./sec.)	(ft./lbs.)	(yards)	(inches)	(ft./sec.)	(ft./lbs.)
.45/175	0	-1.50	1625	1026	0	-1.50	2368	2176
Knight Red	50	1.23	1483	854	50	0.17	2174	1837
Hot Bullet	100	0.00	1354	713	100	0.00	1991	1541
Saboted	150	-5.99	1239	597	150	-2.37	1818	1284
	200	-17.63	1151	515	200	-7.36	1657	1067
.45/195	0	-1.50	2086	1884	0	-1.50	2417	2529
Knight Red	50	0.47	1879	1529	50	0.16	2192	2080
Hot Bullet	100	0.00	1687	1232	100	0.00	1979	1695
Saboted	150	-3.57	1511	988	150	-2.39	1779	1370
	200	-10.98	1354	794	200	-7.50	1594	1100
.50/245	0	-1.50	1689	1553	0	-1.50	2069	2329
Knight	50	1.49	1528	1270	50	0.86	1882	1927
Spitzer	100	0.00	1383	1041	100	0.00	1706	1583
Boattail	150	-6.05	1257	860	150	-3.85	1543	1296
	200	-17.60	1154	724	200	-11.37	1397	1061
.50/250	0	-1.50	1719	1641	0	-1.50	2013	2249
Knight Red	50	1.45	1544	1342	50	0.81	1816	1831
Hot Bullet	100	0.00	1387	1068	100	0.00	1633	1480
Saboted	150	-5.98	1252	870	150	-4.15	1466	1193
	200	-17.53	1143	726	200	-12.25	1320	966
.50/250	0	-1.50	1677	1562	0	-1.50	1991	2202
Knight	50	0.96	1522	1286	50	0.95	1814	1828
Polymer Tip	100	0.00	1382	1061	100	0.00	1649	1509
Boattail	150	-5.11	1260	882	150	-4.16	1496	1243
	200	-15.25	1159	746	200	-12.21	1359	1026
.50/285	0	-1.50	1612	1645	0	-1.50	1943	2389
Knight	50	1.24	1481	1387	50	0.99	1789	2026
Spitzer	100	0.00	1369	1185	100	0.00	1645	1712
Boattail	150	-5.89	1266	1014	150	-4.21	1510	1444
	200	-17.20	1182	883	200	-12.23	1388	1219
.50/290	0	-1.50	1615	1681	0	-1.50	1944	2434
Knight	50	1.23	1484	1419	50	0.61	1792	2067
Polymer Tip	100	0.00	1365	1201	100	0.00	1648	1749
Boattail	150	-5.89	1260	1023	150	-3.81	1514	1477
	200	-17.26	1171	883	200	-11.42	1392	1249
.50/300	0	-1.50	1545	1591	0	-1.50	1929	2480
Knight Red	50	1.84	1401	1308	50	1.04	1753	2049
Hot Bullet	100	0.00	1275	1082	100	0.00	1590	1685
Saboted	150	-7.20	1170	911	150	-4.49	1441	1384
	200	-20.74	1088	788	200	-13.18	1309	1142
.52/275	0	-1.50	1729	1825	0	-1.50	2091	2669
Knight Red	50	1.19	1499	1372	50	0.55	1825	2033
Hot Bullet	100	0.00	1302	1036	100	0.00	1584	1531
Saboted	150	-6.21	1150	807	150	-4.08	1373	1152
(loose powder)	200	-18.56	1044	666	200	-12.55	1203	883
.52/375	0	-1.50	1570	2052	0	-1.50	1938	3127
Knight Red	50	1.27	1471	1801	50	0.56	1807	2719
Hot Bullet	100	0.00	1379	1583	100	0.00	1683	2357
Saboted	150	-5.68	1295	1396	150	-3.68	1565	2040
(loose powder)	200	-16.52	1220	1240	200	-10.97	1456	1765
.50/440	0	-1.50	1301	1655	0	-1.50	1668	2720
Knight	50	2.63	1201	1410	50	1.49	1527	2279
Hydra-Con	100	0.00	1120	1226	100	0.00	1398	1910
	150	-9.55	1056	1090	150	-5.95	1284	1611
	200	-26.83	1005	988	200	-17.17	1187	1376
.52/530	0	-1.50	1435	2424	0	-1.50	1646	3189
Knight	50	2.12	1321	2054	50	1.53	1512	2691
Hydra-Con	100	0.00	1222	1757	100	0.00	1390	2273
(loose powder)	150	-7.94	1139	1528	150	-6.04	1281	1932
	200	-22.56	1074	1357	200	-17.37	1188	1661

Adjustments

Trigger Adjustment

⚠WARNING

All trigger and sear adjustments must be made by the factory or a certified gunsmith only. Incorrect adjustments can increase the risk of accidental discharge.

Do not reduce trigger pull to less than three pounds, as this increases the risk of an accidental discharge. Creation of a lower trigger pull is an unauthorized alteration and is a misuse of the product.

Bighorn, Wolverine, TK2000, DISC Extreme & Long Range Hunter

The DISC Extreme, Knight Bighorn, Wolverine, and TK2000 have crisp adjustable triggers that have been set at the factory for a clean release at approximately three pounds. Trigger pull can be adjusted up to four pounds.

Knight Vision and Knight Revolution

The Knight Vision and Knight Revolution triggers are not adjustable.

Knight Rolling Block (KRB7)

The Knight Rolling Block trigger is adjustable for pull weight only.

Sighting In

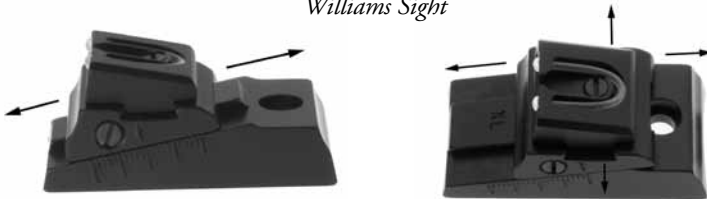
To shoot your rifle accurately, your rifle needs to be sighted in for your personal sight picture. Follow the loading procedures on page 7 to sight your rifle accurately. Before loading and firing, be sure to read "General Loading and Firing" on page 7 and the section related to your particular model.

We recommend beginning "sight-in" at 50 yards, maintaining a point of impact 2" above the center of the bullseye. Then move to 100 yards for your final sight-in.

Your rifle's sights can be adjusted by moving the rear sight. To make your rifle shoot higher, move the rear sight higher. To make your rifle shoot lower, move the rear sight lower. When you want to move the impact of the projectile to the right, move the rear blade to the right. Regardless of the sight you have or its method of adjustment, move the rear sight in the direction you wish the impact of the projectile to move. Do not over tighten your sight screws.

All Knight® Rifles are drilled and tapped for easy mounting of scope rings and bases. When sighting in a scope, follow the manufacturer's directions. Scope mounts are recommended by rifle model.

Williams Sight



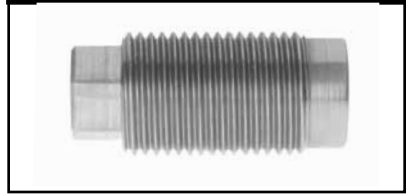
Breech Plugs

All Knight Rifles are equipped with a removable breech plug for easier cleaning. The breech plug should be removed at the end of each shooting session for a thorough cleaning of the bore and breech area. Knight Rifles manufactures several styles of breech plugs, and you should familiarize yourself with the one in your rifle. **⚠️WARNING** Using the wrong breech plug may cause the breech plug to blow out the back of the muzzle-loader. When in storage or in use, the breech plug must always have high temperature synthetic grease, such as Knight's Breech Plug Grease, applied to the threads. This will help prevent the breech plug from becoming stuck in the receiver. Apply plenty of grease to all of the breech plug threads.

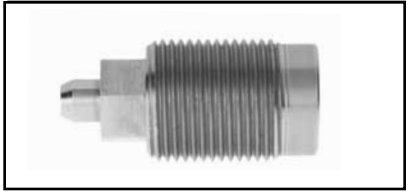
Knight Revolution,
.45 & .50 Caliber,
11/16"



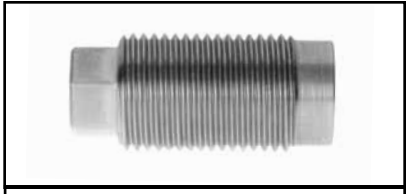
Bighorn,
.50 Caliber, 5/8"
#11 & Musket
Nipple use



DISC Extreme.
Knight Vision,
.45 & .50 Caliber,
11/16"



Bighorn,
.52 Caliber, 11/16"
#11 & Musket
Nipple use



Bighorn, Wolverine,
TK2000
.50 Caliber, 5/8"



Power Stem,
.52 Caliber, 11/16"
For loose powder only!
⚠️WARNING Using
pelletized powder can
cause an explosion.



Knight Vision™ .50

Left hand conversion instructions, please call Knight.

Action: Right Handed Quick Detachable Trigger Carriage Assembly, Removable Stainless Steel Breech Plug.

Ballistics/Recommended Loads: (See page 13)

Barrel: 26" Green Mountain Rifle Barrel, Rifle Grade MS - Camouflaged, 1:28 Twist, .50 caliber

Ignition: Full Plastic Jacket™, 209 Primer

Included In Package: Hex Head Combo Tool, Instructional DVD, Plug Screws, Full Plastic Jackets, 209 Primer Pliers, Non Red Plastic Jacket conversion, Breech Plug Jag and Extension, Sample Bullets, and Owners Manual.

Length And Weight: 44 Inches, 7.9 Pounds

Loading: General (See page 7)

Powder: Black Powder FFg, or industry approved black powder substitute. (Maximum Powder Charge) 150 Grains by Volume, in loose FFg or the pelleted powder FFg.

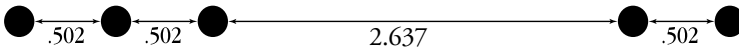
Recommended Scope Mounts: See through #900790, Weaver Ring/Base Sets, #900775, #900776, Redfield Ring/Base Sets #900730, #900731, and One Piece Base and Rings #900777.

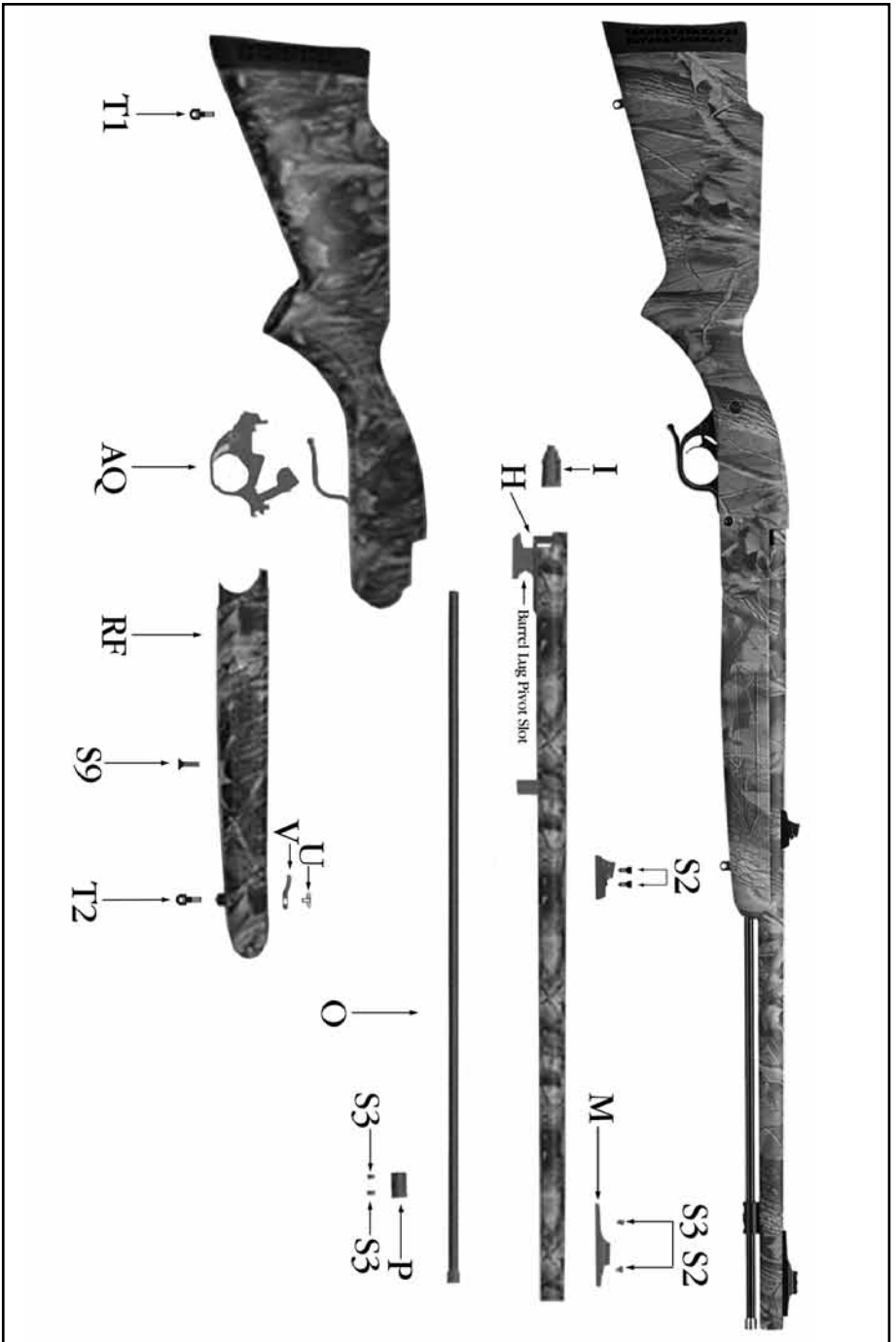
Sights: Fully Adjustable Metallic Red Fiber Optic Rear Sight and a one piece Green Fiber Optic Bead and base. Receiver drilled and tapped for easy scope mounting.

Stock: Forestock - G1 Next, All Purpose Green, RealTree Hardwoods Green HD, Mossy Oak Break-up
Rearstock - G1 Next, All Purpose Green, Camo 1 piece overmolded stock and receiver

Warranty: Limited Lifetime with extended service policy. See page 54.

Receiver Hole Spacing For Scope Base Mounting





Knight Vision™ .50

Safety System

The Knight Vision has only one safety system, a cross-bolt safety system. To lock the trigger, push the safety to the right. Push the safety to the left, to put the rifle in the *fire* position.



Disassembly and Assembly

⚠WARNING Be sure rifle is not loaded or primed before disassembly or assembly.

Study the rifle schematic and acquaint yourself with the different parts and terminology of your muzzleloader before assembling or disassembling. Letters and numbers in parentheses refer to labels on each rifle schematic for each model.

It is advisable to use a padded vise to remove and reinstall the breech plug. Place small parts in a pan to avoid losing them.

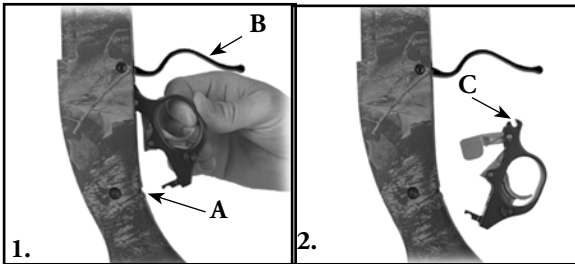
Disassembly

1. Remove the trigger assembly. Remove the mechanism locking screw (Photo #1 - Letter A, see next page) found just above the trigger safety. Pull the trigger down and out of the receiver; the break-open release lever (Photo #1 - Letter B) will open the trigger, allowing the trigger to be taken out easily.
2. Remove the breech plug. Pull the break open latch to open the rifle and expose the breech plug. With your finger, pull the extractor toward you, it will fold down and out of the way of the plug opening. Insert the combo tool (breech plug wrench side) into the receiver, engage the plug (part I) and turn it counterclockwise until it slides out of the receiver. If more force is required, a hole in the combo tool allows for the use of a rod for added leverage. Put the plug in a jar of Knight solvent for a few minutes while cleaning the barrel.
3. Remove the forearm stock. By using the screw drive end of the combo tool, take out the stock screw located on the underside of the stock. The stock and barrel easily separate.

4. Remove the barrel. With the forestock off, the barrel will pivot off the receiver. Pull the barrel up and out to release it from the receiver.

Assembly

1. Install the breech plug. Fill the threads of the plug with Knight Breech Plug Grease to help prevent the breech plug sticking in the receiver. Using the breech plug end of the combo tool, insert the breech plug into the rear of the receiver and hand tighten the plug into the receiver, until it is firmly against the back of the barrel. Be sure the breech plug is screwed all the way into the receiver. Do not over tighten the plug or it will become difficult to remove.
2. Install the trigger assembly. Align the trigger pivot (Photo #2 - Letter C) with the receiver cross bolt. Rotate the trigger assembly back up into the receiver until snug. Replace the mechanism locking screw securing the trigger assembly into the receiver.



3. Attach the barrel and stock. Align the barrel lug's pivot slot with the receiver cross bolt and rotate the barrel upward until locked in place. Put the forestock up against the bottom of the barrel and slide it down onto the receiver. Using the screwdriver end of your combo tool, firmly reattach the stock screw through the forestock into the stock lug on the barrel.

209 Conversion Non-Full Plastic Jacket Breech Plugs

The Knight Vision can be converted to use 209 primers without the DISC Full Plastic Jacket.

1. Remove the old breech plug from the rifle.
2. Generously grease the new breech plug with breech plug grease.
3. Insert the new breech plug utilizing the existing combo tool.



Knight Revolution™ .45, .50, .52

Action: Right Handed Quick Detachable Trigger Carriage Assembly, Removable Stainless Steel Breech Plug. Left Hand conversion instructions, please call Knight. (See page 16 for breech plug identification)

Ballistics/Recommended Loads: (See page 13)

Barrel:

27", Green Mountain Rifle Barrel, Rifle Grade Blue or Stainless Steel, 1:28 Twist, .50 caliber
27", Green Mountain Rifle Barrel, Rifle Grade Blue or Stainless Steel, 1:26 Twist, .52 caliber

Interchangeable Barrels:

27" Green Mountain Rifle Barrel, Rifle grade stainless steel, 1:30 twist, .45 caliber
30" Green Mountain Heavy Rifle Barrel, Rifle Grade Stainless Steel, 1:30 Twist, .45 caliber
30" Green Mountain Heavy Rifle Barrel, Rifle Grade Stainless Steel, 1:28 Twist, .50 caliber

Ignition: Full Plastic Jacket™, 209 Primer and bare 209 primer ignition

Included in Package: Revolution's Hex Head Combo Tool, Instructional DVD (Call Knight if VHS is needed), Plug Screws, Full Plastic Jackets, Non Red Plastic Jacket conversion, 209 Primer Pliers, Jag & Extension and Sample bullets.

Length and Weight: 43.5 inches, 8.2 Pounds

Loading: General (See page 7)

Powder: Black Powder FFg, or industry approved black powder substitute. (Maximum Powder Charge) 150 Grains by Volume, in loose or the pelleted powders.

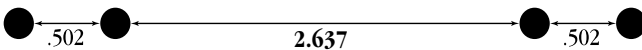
Recommended Scope Mounts: See-through #900790, Weaver Ring/Base sets #900775, #900776 and Redfield Ring/Base sets #900730, #900731

Sights: Fully Adjustable Metallic Red Fiber Optic Rear Sight and a one piece Green Fiber Optic Bead and base. Receiver drilled and tapped for easy scope mounting.

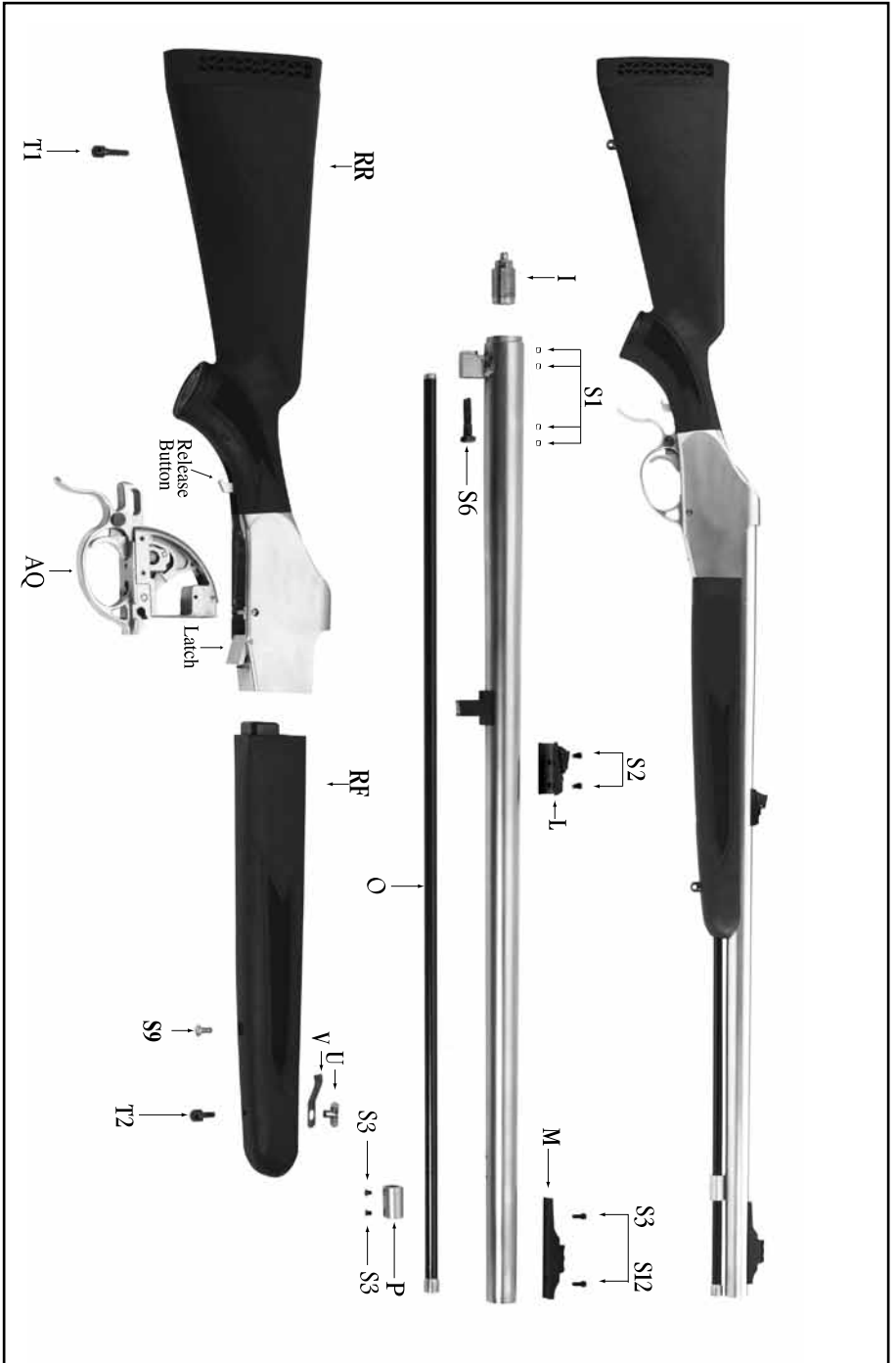
Stocks: Refer to current catalog

Warranty: Limited Lifetime with extended service policy. See page 54.

Receiver Hole Spacing For Scope Base Mounting



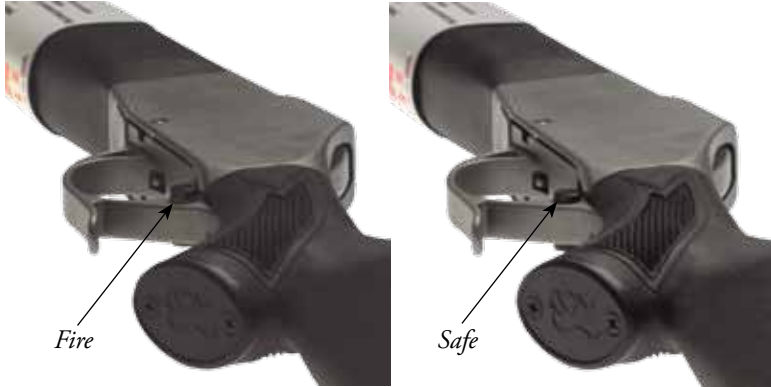
Knight Revolution™ .45, .50, .52



Knight Revolution™ .45, .50, .52

Safety System

The Knight Revolution has only one safety system, a **cross-bolt safety system**. To lock the trigger, push the safety to the right. Push the safety to the left, to put the rifle in the *fire* position.



Disassembly and Assembly

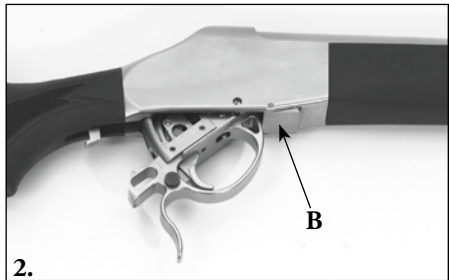
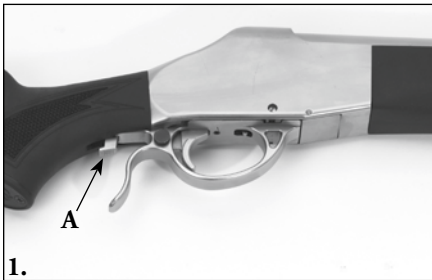
⚠WARNING Be sure rifle is not loaded or primed before disassembly or assembly.

Study the rifle schematic and acquaint yourself with the different parts and terminology of your muzzleloader before assembling or disassembling. Letters and numbers in parentheses refer to labels on each rifle schematic for each model.

It is advisable to use a padded vise to remove and reinstall the breech plug. Place small parts in a pan to avoid losing them.

Disassembly

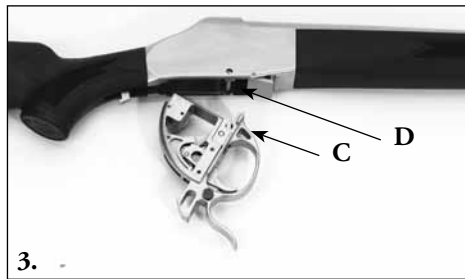
1. Remove the trigger carriage. Press the release button, found just behind the trigger guard (Photo #1 - Letter A), and the drop action will drop down. Hold the latch open (found in front of the trigger guard) (Photo #2 - Letter B), swing the action away from the rifle, and pull it out of the receiver.



2. Remove the breech plug. Insert the combo tool (socket end first) into the receiver, engage the plug (part I) and turn it counterclockwise until it slides out of the receiver. This may require more force. (A hole in the combo tool allows for the use of a rod, for added leverage.) Put the plug in a jar of Knight solvent for a few minutes, while cleaning the barrel and receiver.
3. Remove the forearm stock. By using the screwdriver end of the combo tool, take out the stock screw (S9) located on the underside of the stock. The stock and barrel easily separate.
4. Remove the barrel. Using the socket end of the combo tool, take out the bolt (S6) that is located in the forearm stock chamber. Unscrew it counterclockwise until it slides out of the receiver. Pull the barrel up and out to release it from the receiver.

Assembly

1. Install the breech plug. Fill the threads of the plug with Knight Breech Plug Grease to help prevent the breech plug from sticking in the receiver. Using the breech plug end of the combo tool, insert the breech plug (part I) into the rear of the receiver and hand tighten the plug into the receiver, until it is firmly against the back of the barrel. Be sure the breech plug is screwed all the way into the receiver. Do not over tighten the plug or it will become difficult to remove.
2. Install the trigger carriage. Align the action pivot slot (Photo #3 - Letter C) with the receiver cross bolt (Photo #3 - Letter D), slide the action in, and close the assembly.



3. Attach the barrel and stock. Push the barrel into the receiver fore end opening and firmly attach the barrel to the receiver using the hex headed barrel bolt. Put the fore-stock up against the bottom of the barrel and slide it down into the receiver stock opening. Using the screwdriver end of your combo tool and firmly reattach the stock screw through the stock into the stock lug on the barrel.

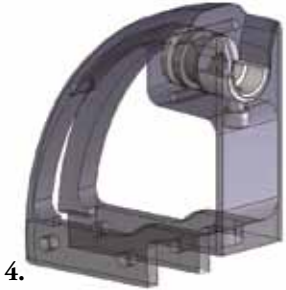
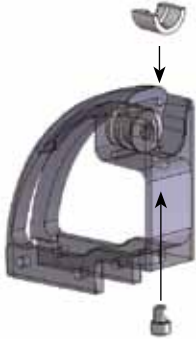
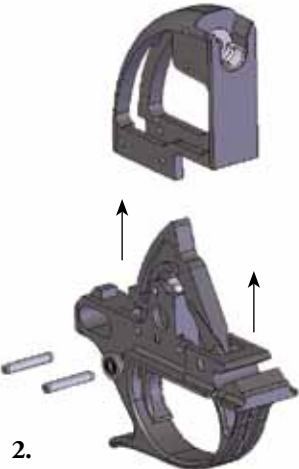
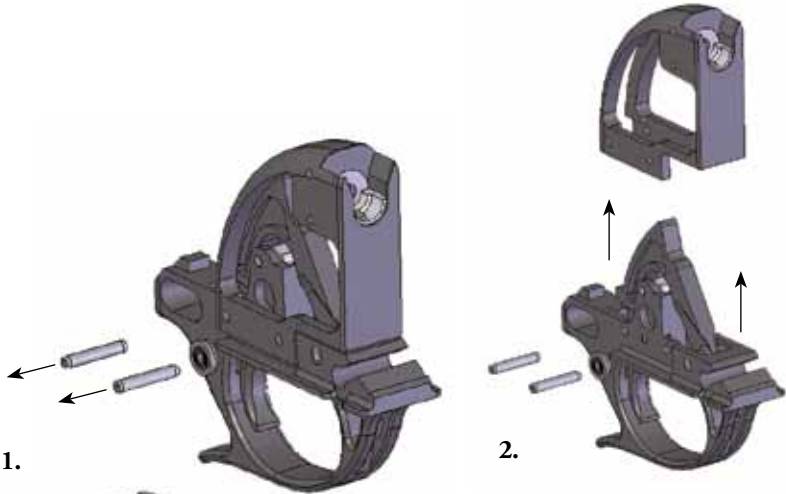
209 Conversion Non-Full Plastic Jacket Breech Plug

The Knight Revolution can be converted to use 209 primers without the DISC Full Plastic Jacket.

1. Use supplied punch to remove the two carriage body spring pins.
2. Pull the carriage body assembly up and off of the lower pivot base assembly.

Knight Revolution™ .45, .50, .52

- 3. Place the 209 insert with the flat open side facing up into the carriage body. Insert the 209 insert retainer screw through the bottom of the carriage body.
- 4. Tighten the screw with the supplied Allen wrench until tight. Reassemble the carriage body assembly and pivot base assembly using the pins you removed in Step 1.



Action: Patented Double Safety System, New C-Toolless, Quick Release, Removable Bolt Assembly, Removable Stainless Steel Breech Plug (see page 16 for breech plug identification for .45/.50 and .52 caliber).

Ballistics/Recommended Loads: (See page 13)

Barrel: 26", 1:30" Twist, .45 Fluted Blue/Stainless, 26", 1:28" Twist, .50 Blued/Stainless, 26", 1:26" Twist, .52 Stainless, Green Mountain Rifle Barrels

Ignition: Full Plastic Jacket™, 209 Primer and bare 209 primer ignition

Included In Package: Hex Head Combo Tool, DVD, Five Plug Screws, 5/32 Allen Wrench, Jag and Extension, Full Plastic Jackets, Non Red Plastic Jacket conversion, Sample Bullets

Length And Weight: 45 Inches, 7.7 Pounds

Loading: General (See page 7)

Powder: Black Powder FFg, or industry approved black powder substitute. (Maximum Powder Charge) 150 Grains by Volume, in loose or the pelleted powders.

Recommended Scope Mounts: #900790, (See through) #900775, #900776 Weaver Ring/Base Sets, #900730, #900731 Redfield Ring/Base Sets

Sights: Fully Adjustable Metallic Red Fiber Optic Rear Sight and a one piece Green Fiber Optic Bead and base. Receiver drilled and tapped for easy scope mounting.

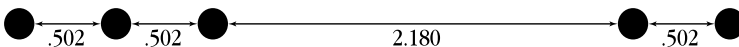
Stock: Refer to current catalog

Trigger: Adjustable Knight® Trigger with Metal Trigger Guard

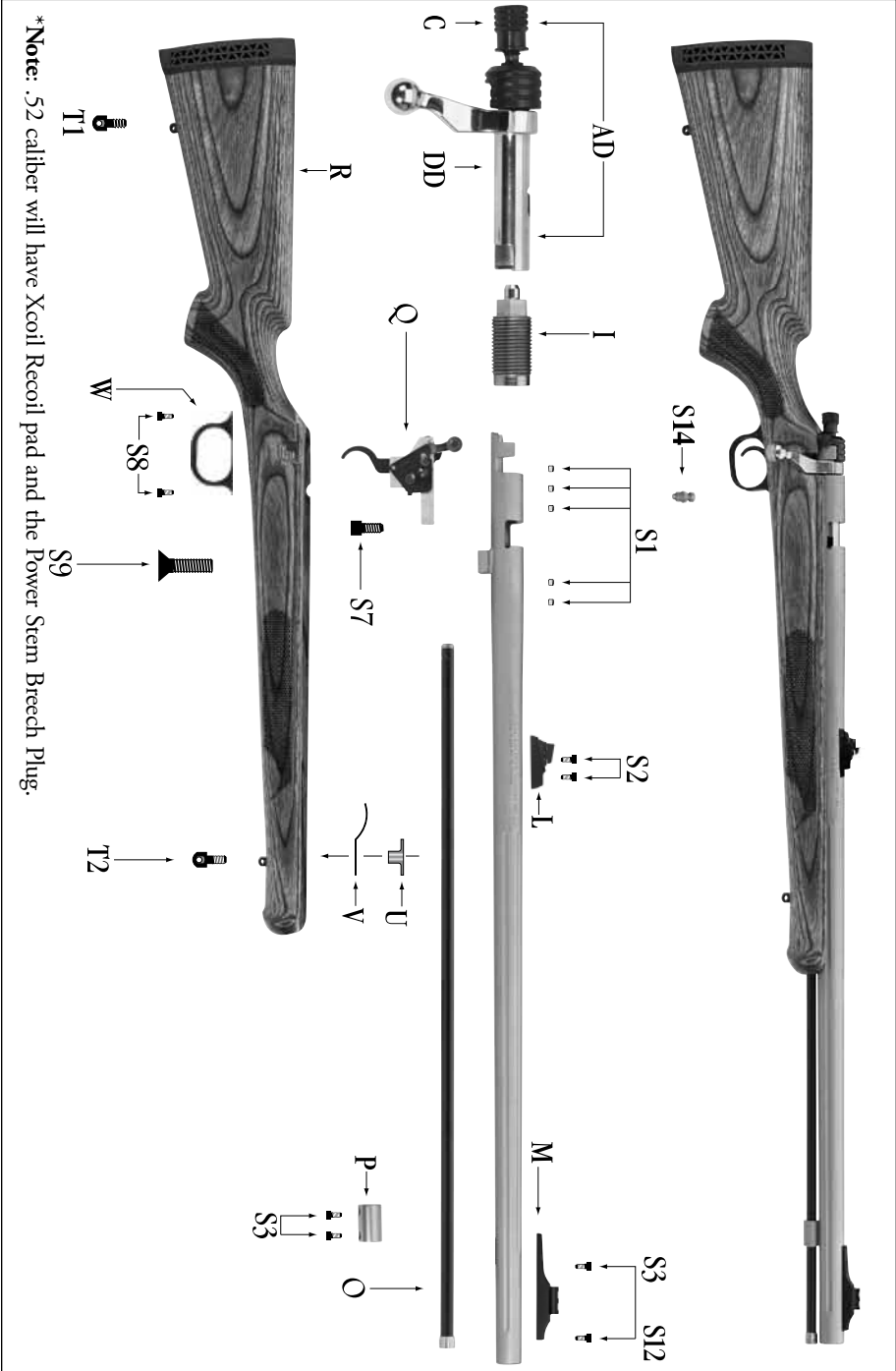
Warranty: Limited Lifetime with extended service policy. See page 54.

*Note: When using Weaver style bases, you may have to shorten the front screw of the front base (closest base and screw to the muzzle) approximately 1/16" for proper fit.

Receiver Hole Spacing For Scope Base Mounting



DISC Extreme™ .45/.50/.52



Long Range Hunter

Action: Patented Double Safety System, New C-Toolless, Quick Release, Removable Bolt Assembly, Removable Stainless Steel Breech Plug (see page 16 for breech plug identification for .50 and .52 caliber).

Ballistics/Recommended Loads: (See page 13)

Barrel: 26", 1:28" Twist, .50 Blued/Stainless, 26", 1:26" Twist, .52 Stainless, Green Mountain Rifle Barrels

Ignition: Full Plastic Jacket™, 209 Primer and bare 209 primer ignition

Included In Package: Hex Head Combo Tool, DVD, Five Plug Screws, 5/32 Allen Wrench, Jag and Extension, Full Plastic Jackets, Non Red Plastic Jacket conversion, Sample Bullets

Length And Weight: 45 Inches, 7.7 Pounds

Loading: General (See page 7)

Powder: Black Powder FFG, or industry approved black powder substitute. (Maximum Powder Charge) 150 Grains by Volume, in loose or the pelleted powders.

Recommended Scope Mounts: #900790, (See through) #900775, #900776 Weaver Ring/Base Sets, #900730, #900731 Redfield Ring/Base Sets

Sights: Fully Adjustable Metallic Red Fiber Optic Rear Sight and a one piece Green Fiber Optic Bead and base. Receiver drilled and tapped for easy scope mounting.

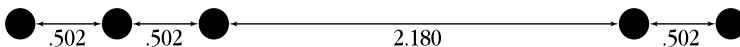
Stock: Refer to current catalog

Trigger: Adjustable Knight® Trigger with Metal Trigger Guard

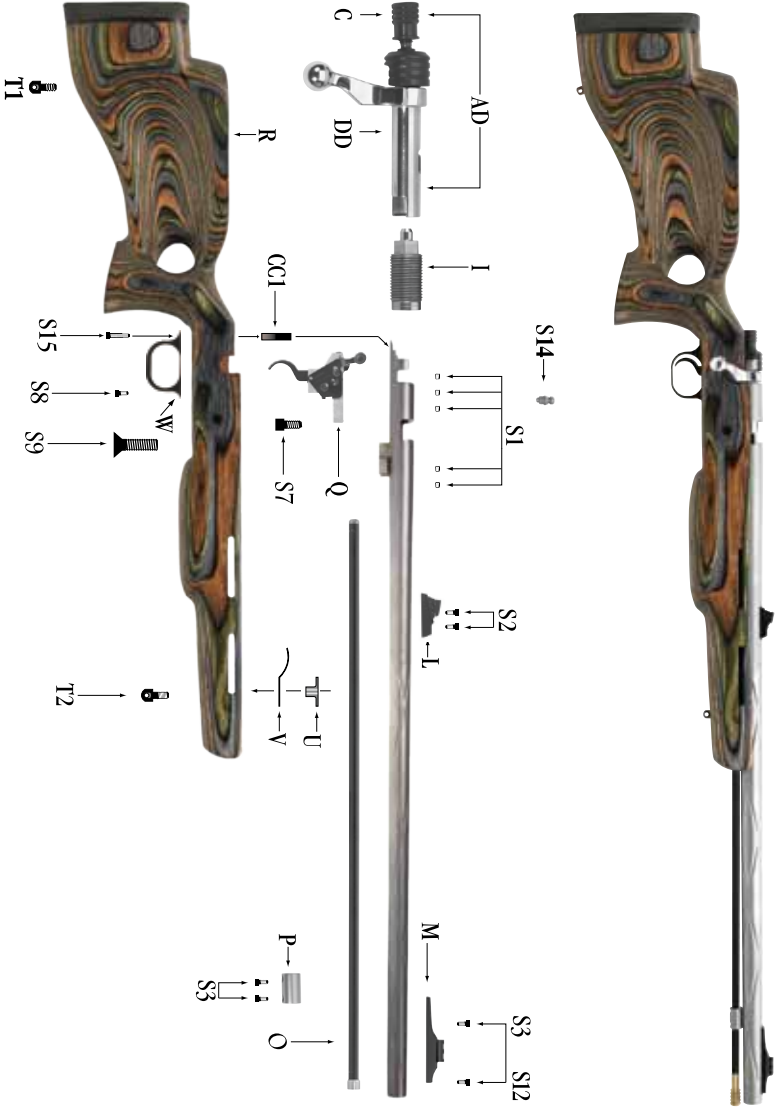
Warranty: Limited Lifetime with extended service policy. See page 54.

*Note: When using Weaver style bases, you may have to shorten the front screw of the front base (closest base and screw to the muzzle) approximately 1/16" for proper fit.

Receiver Hole Spacing For Scope Base Mounting



Long Range Hunter

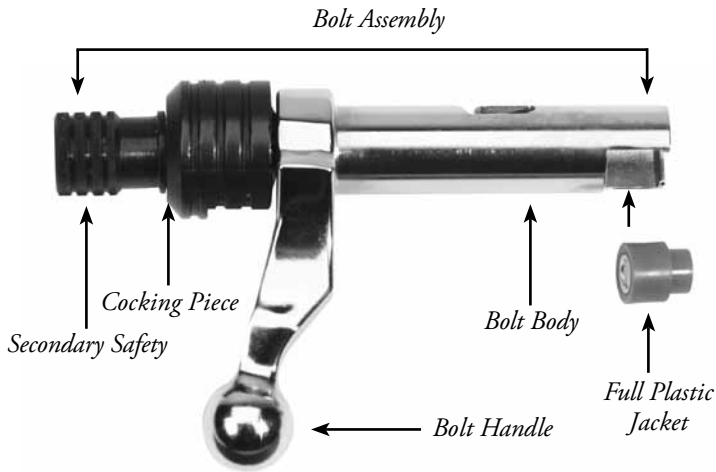


DISC Extreme™ .45/.50/.52 and Long Range Hunter

Action and Safety Systems

Bolt Action

The bolt has been designed for easy removal and breakdown for easy cleaning of internal and external surfaces. The rifle also features a removable breech plug, making it easier to clean the bore thoroughly from one end to the other. The design also allows you to unload the rifle without firing by pushing unfired powder and/or bullet out the back of the barrel with the ramrod.



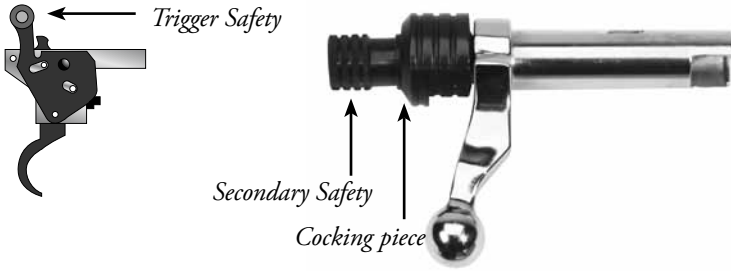
The bolt functions by lifting the handle and pulling back slightly to expose the priming port at the face of the bolt. This also cocks the hammer. To prime the rifle with a 209 primer, press the primer flush into the Full Plastic Jacket™ (DISC). Insert the Full Plastic Jacket into the receiver. When the bolt handle is pushed forward and down, it is formed over the primer and nipple. Full Plastic Jackets are not designed for reuse.

Patented Double Safety System

The trigger safety is located on the right side of the trigger. When the safety is pulled to the rear, it is in the *safe* position. This locks the trigger so that the hammer will not release. When the safety is pushed forward, it is in the *fire* position and the hammer will release if the trigger is pulled.

The secondary safety is located on the rear of the hammer or bolt. This safety is activated by turning the secondary safety in a clockwise motion. The use and design of the secondary safety is to keep the rifle from firing by not permitting the hammer to strike the igniter. When the safety is turned in a counter-clockwise motion until it stops, it is in the *fire* position. Both safeties must be in the *fire* position to fire the rifle.

DISC Extreme™ .45/.50/.52 and Long Range Hunter



Disassembly and Assembly

⚠WARNING Be sure rifle is not loaded or primed before disassembly or assembly.

Study the rifle schematic and acquaint yourself with the different parts and terminology of your muzzleloader before assembling or disassembling. Letters and numbers in parentheses refer to labels on each rifle schematic for each model.

It is advisable to use a padded vise to remove and reinstall the breech plug. Place small parts in a pan to avoid losing them.

Disassembly

1. Remove the ramrod (O) from the stock and set aside.
2. (DISC Extreme only) Remove the barreled action from the stock. The barreled action is held in the stock with two stock screws. One located just forward of the trigger guard (W) and the other behind and part of the trigger guard (W). The second stock screw releases the tension of the "C" clamp hold the rear of the receiver to the stock. Remove these screws and carefully separate the barrel assembly from the stock and "C" clamp. Set the stock aside.
(Long Range Hunter only) Remove the barreled action from the stock. The barreled action is held in the stock with two stock screws. One (S14) located just forward of the trigger guard (W) and the other (S15) behind and part of the trigger guard (W). The second stock screw releases the tension of the "C" clip (CC1) hold on the rear of the receiver. Remove these screws and carefully separate the barrel assembly from the stock and "C" clip. Set the stock aside.
3. Remove the trigger assembly. Remove the trigger mounting screw (S7), and lift the trigger assembly from the receiver. Remove the bolt. Lift the bolt handle up, pull open the quick release, detent screw that holds the bolt in place from the left side of the receiver, and pull the bolt out.
4. Remove the breech plug. Insert the combo tool (breech plug wrench side) into the receiver, engage the breech plug (I) and turn it counterclockwise. This may require a considerable amount of force. (Holes in the combo tool allow a rod to be used for added leverage.)

DISC Extreme™ .45/.50/.52 and Long Range Hunter

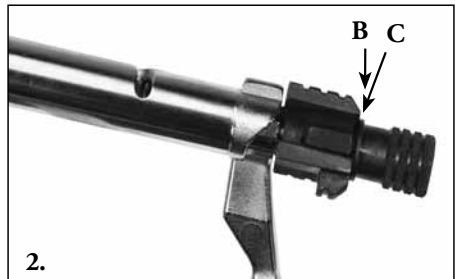
Assembly

1. Install the breech plug. Fill the threads of the plug with Knight Breech Plug Grease to help prevent the breech plug sticking in the receiver. Using the breech plug end of the combo tool, insert the breech plug (I) into the rear of the receiver and hand tighten the plug into the receiver until it is firmly against the back of the barrel. Be sure the breech plug is screwed all the way into the receiver. Do not over tighten the plug or it will become difficult to remove.
2. Install the trigger. Using the trigger mounting screw (S7), mount the trigger assembly (Q) to the receiver. Tighten until the trigger assembly is firm against the receiver. Make sure it is aligned with the receiver.
3. Install the bolt. While pulling and holding open the quick detach bolt release button (left side of receiver), slide the bolt all the way into the receiver. Let the release button close. Work the bolt down to the closed position.
4. (DISC Extreme Only) Install the barrel by first sliding the rear of the receiver into the "C" clamp and rocking the barrel into the stock. Tighten both stock screws. Install the ramrod (O).
(Long Range Hunter Only) Install the barrel by first sliding the rear of the receiver into the "C" clip (CC1) and rocking the barrel into the stock. Replace and tighten both stock screws (S14 & S15). Install the ramrod (O).

DISC C-Toolless Bolt Removal and Disassembly

When you are ready to remove and clean your bolt, follow this procedure to avoid misalignment problems.

1. With the rifle bolt handle in the up position, while pulling out on the spring loaded Quick Release bolt screw (Photo #1 - Letter A), pull the bolt out of the receiver.
2. Turn the secondary safety clockwise until the cocking piece (Photo #2 - Letter B) is drawn up against the front edge of secondary safety. (Photo #2 - Letter C)
3. Unscrew the striker assembly counterclockwise, until it is free from the bolt body. (Further disassembly is not required; doing so may result in your having to send the bolt back to be reassembled.)



4. Clean and oil as necessary.

DISC Extreme™ .45/.50/.52 and Long Range Hunter

5. To assemble, thread the striker assembly clockwise into the bolt body. Do not apply any pressure after the threading reaches the end. Do not tighten the striker against the bolt housing.
6. When the striker assembly reaches the end of the threads, turn it counterclockwise, until reference points (Photo #3 - Letters D and E) are aligned with each other. Hold your thumb against the bolt (Photo #4 - Letter E) (this will help allow you to keep the bolt body and bolt striker assembly aligned correctly) then unscrew the secondary safety until there is no more pressure. If the assembly is not aligned, repeat steps 2, 3, 5, and 6.
7. While pulling out on the spring-loaded Quick Release bolt screw (Photo #1 - Letter A), slide the bolt all the way back into the receiver. Release the bolt screw. Make sure the trigger and secondary safeties are both in the *safe* position. Close the bolt handle.
8. The rifle is now in the cocked position with both safeties on.

209 Conversion Non-Full Plastic Jacket Breech Plugs

The DISC Extreme and Long Range Hunter can be converted to use 209 primers without the DISC Full Plastic Jacket.

1. Remove old breech plug from rifle.
2. Generously grease new breech plug with breech plug grease.
3. Insert new breech plug utilizing existing combo tool.
4. Place enclosed adaptor in bolt body as shown in figure below:



Bighorn™ .50/.52 Wolverine™ .50

Action: Patented Double Safety System, Removable Bolt Assembly, Removable Stainless Steel Breech Plug (see page 16 for breech plug identification)

Ballistics/Recommended Loads: (See page 13)

Barrel:

Wolverine 209: 22" Blued Steel Green Mountain Rifle Barrel, 1:28 Twist, .50 Caliber

Bighorn: 26" Blued and Stainless Steel Green Mountain Rifle Barrel, 1:28 twist, .50 Caliber Bighorn 26"

Stainless Steel Green Mountain Rifle Barrel, 1:26 Twist, .52 Caliber

Ignition:

Wolverine 209: Full Plastic Jacket™, 209 Primer

Bighorn: 4 Ignitions Systems: Full Plastic Jacket™ - 209 Primer, #11, Musket Cap Percussion, and bare 209 primer ignition

Included In Package: Hex Head Combo Tool, DVD, Five Plug Screws, Red Hot Nipple #11 Cap 1/4 x 28, #11 Musket Breech Plugs, 5/32 Allen Wrench, Jag and Extension, Owners Manual, Non Red Plastic Jacket conversion (Bighorn only).

Length And Weight: Wolverine 209 , 41 Inches, 7 Pounds, Bighorn; 45 Inches, 7.4 Pounds

Loading: General (See page 7)

Powder: Black Powder FFg, or industry approved black powder substitute. (Maximum Powder Charge) 150 Grains by Volume, in loose or the pelleted powders.

Recommended Scope Mounts: #900790, (See through) #900775, #900776 Weaver Ring/Base Sets, #900730, #900731 Redfield Ring/Base Sets

Sights: Fully Adjustable Metallic Red Fiber Optic Rear Sight and a one piece Green Fiber Optic Bead and base. Receiver drilled and tapped for easy scope mounting.

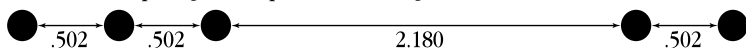
Stock: Refer to current catalog

Trigger: Adjustable Knight Trigger™ with Composite Trigger Guard

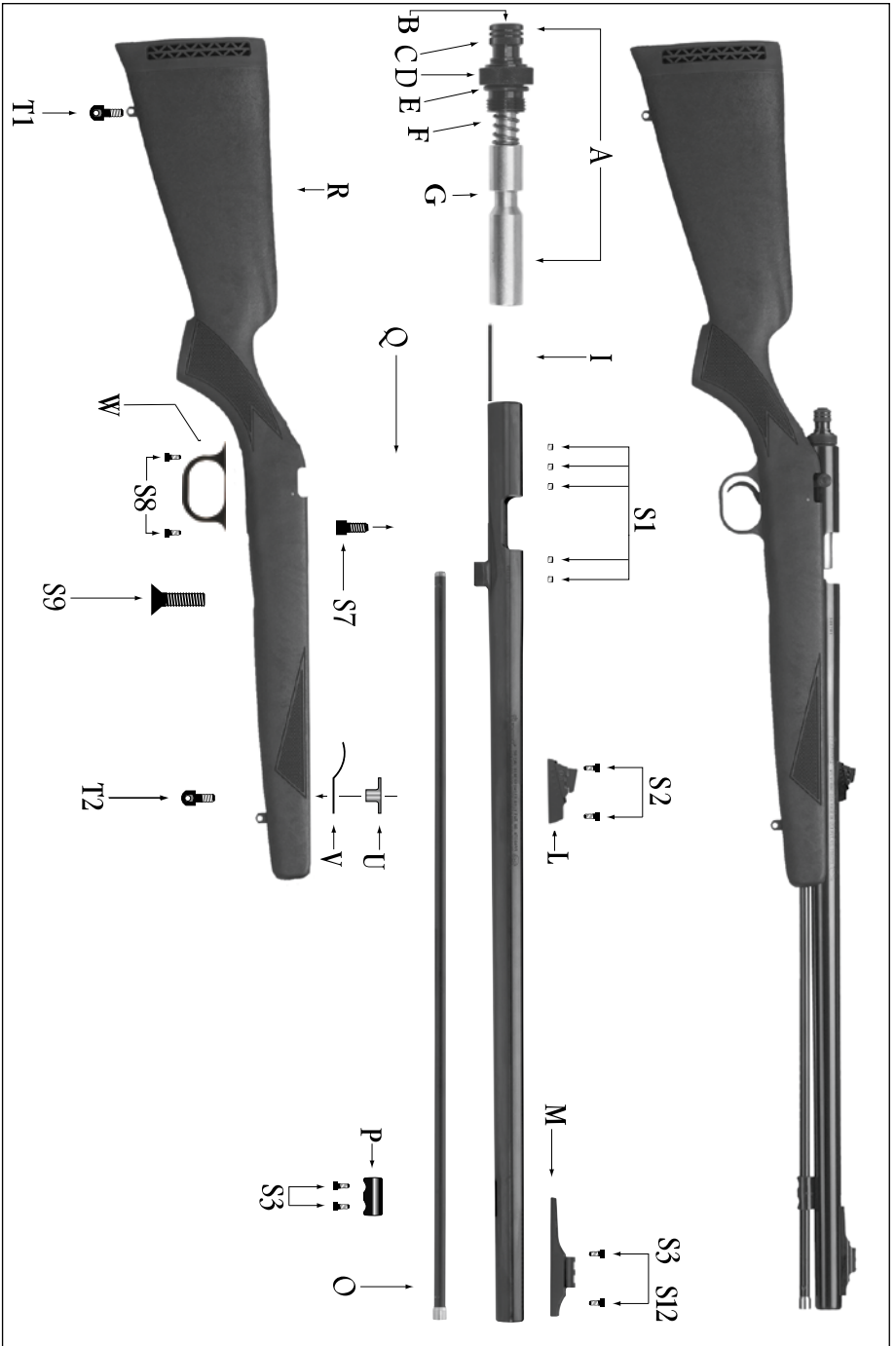
Warranty: Limited Lifetime. See page 54.

*Note: When using Weaver style bases you may have to shorten the front screw of the front base (closest base and screw to the muzzle) approximately 1/16" for proper fit.

Receiver Hole Spacing For Scope Base Mounting



Bighorn™ .50/.52 Wolverine™ .50



Action: Patented Double Safety System, one-piece removable Extreme 209 Hammer assembly. Removable Stainless Steel Breech Plug (see page 16 for breech plug identification)

Loads: (See page 10)

Barrel: 26" Realtree Hardwoods Green HD

Ignition: Full Plastic Jacket™, 209 Primer

Included In Package: Hex Head Combo Tool, DVD, Five Plug Screws, 5/32 Allen Wrench, Full Plastic Jackets, Non Red Plastic Jacket conversion, Capper/Decapper, Overshot Wads, Shot Cups

Length And Weight: 45 Inches, 7.5 Pounds

Loading: (See page 12)

Powder: Black Powder FFg, or industry approved black powder substitute. (Maximum Powder Charge 120 Grains By Volume) Recommended Max 100 grains, when using T7

Recommended Scope Mounts: #900790, (See through) #900775, #900776 Weaver Ring/Base Sets, #900730, #900731 Redfield Ring/Base Sets

Sights: Fully Adjustable Metallic Red Fiber Optic Rear Sight and a one piece Green Fiber Optic Bead and base. Receiver drilled and tapped for easy scope mounting.

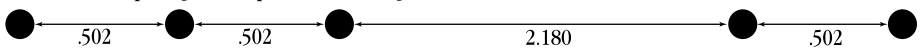
Stock: Refer to Current Catalog

Trigger: Adjustable Knight Trigger™ with Composite Trigger Guard

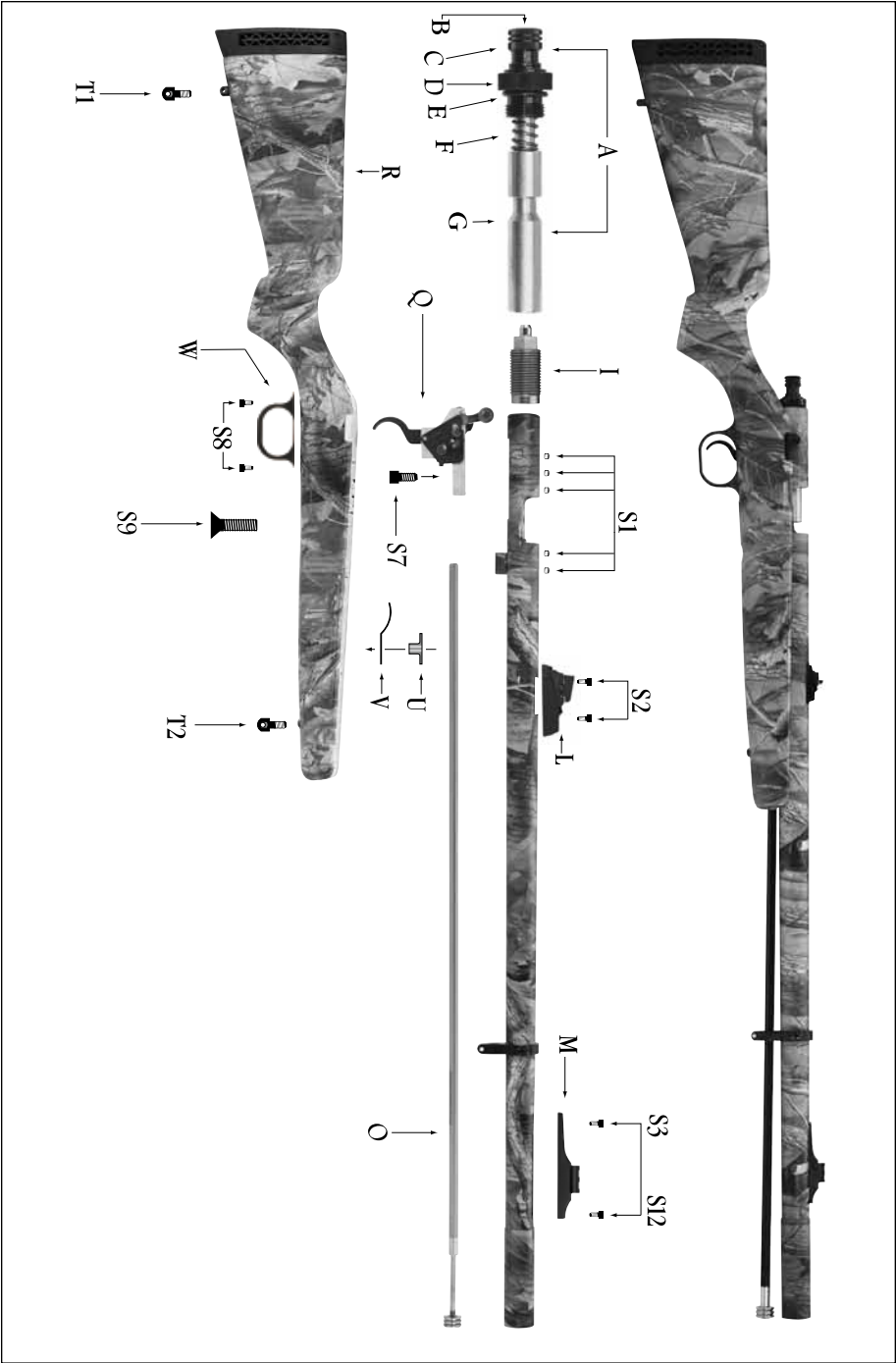
Warranty: Limited Lifetime. See page 54.

*Note: When using Weaver style bases you may have to shorten the front screw of the front base (closest base and screw to the muzzle) approximately 1/16" for proper fit.

Receiver Hole Spacing For Scope Base Mounting



TK2000™ Shotgun

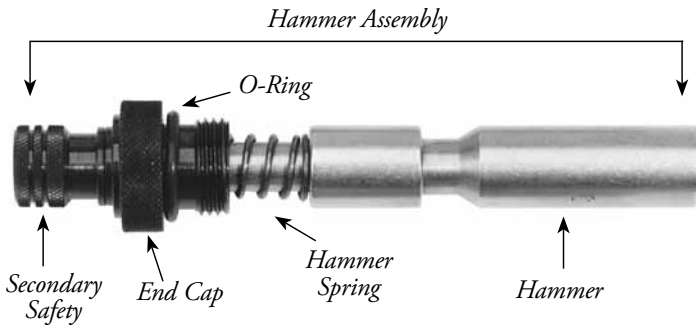


Bighorn™ .50/.52 Wolverine™ .50 and TK2000™ Shotgun

Action and Safety Systems

Straight Pull Action

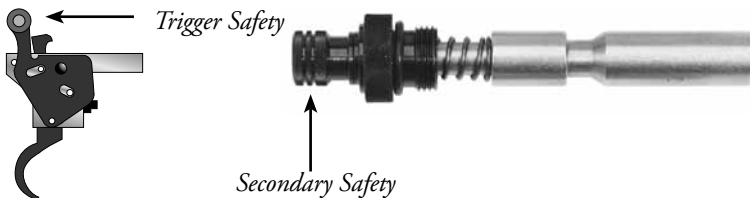
The pull-type system functions by pulling the hammer assembly back from the receiver until it cocks. With both safeties off, the hammer under spring tension is released with a pull of the trigger. The hammer slides through the receiver and strikes the primer. With the rifle primed, using a 209 primer in the red Full Plastic Jackets, a spark moves forward through the breech plug and ignites the powder charge. Because Knight Rifle's ignition system is in line with the barrel, hammer release, primer firing, and powder charge ignition, it spontaneously gives a more uniformly burned charge with superior accuracy.



Patented Double Safety System

The trigger safety is located on the right side of the trigger. When the safety is pulled to the rear, it is in the *safe* position. This locks the trigger so that the hammer will not release. When the safety is pushed forward, it is in the *fire* position, and the hammer will release if the trigger is pulled.

The secondary safety is located on the rear of the hammer or bolt. This safety is activated by turning the secondary safety in a clockwise motion. The use and design of the secondary safety is to keep the rifle from firing by not permitting the hammer to strike the igniter. When the safety is turned in a counterclockwise motion until it stops, it is in the *fire* position. Both safeties must be in the *fire* position to fire the rifle.



Bighorn™ .50/.52 Wolverine™ .50 and TK2000™ Shotgun

Disassembly and Assembly

▲WARNING Be sure the muzzleloader is not loaded or primed before disassembly or assembly.

Study the rifle schematic and acquaint yourself with the different parts and terminology of your muzzleloader before assembling or disassembling. Letters and numbers in parentheses refer to labels on each rifle schematic for each model.

It is advisable to use a padded vise to remove and reinstall the breech plug. Place small parts in a pan to avoid losing them.

Disassembly

1. Remove the ramrod (O) from the stock and set aside.
2. Remove the barreled action from the stock. The barreled action is held in the stock by a single stock screw (S9) located just forward of the trigger guard (W). Remove this screw and carefully separate the barrel assembly from the stock (R). Set the stock aside.
3. Remove the trigger assembly. Remove the trigger mounting screw (S7), and lift the trigger assembly from the receiver.
4. Remove the hammer assembly. Unscrew the end cap (D) in a counterclockwise direction. Pull the hammer assembly backward removing the hammer from the receiver.
5. Remove the breech plug. Insert the combo tool (breech plug wrench side) into the receiver, engage the breech plug (I) and turn it counterclockwise. This may require a considerable amount of force. (Holes in the combo tool allow a rod to be used for added leverage.)

Assembly

1. Install the breech plug. Fill the threads of the plug with Knight Breech Plug Grease to help prevent the breech plug from sticking in the receiver. Using the breech plug end of the combo tool, insert the breech plug (I) into the rear of the receiver and hand tighten the plug into the receiver until it is firmly against the back of the barrel. Be sure the breech plug is screwed all the way into the receiver. Do not over tighten the plug or it will become difficult to remove.
2. Install the trigger. Using the trigger mounting screw (S7), mount the trigger assembly (Q) to the receiver. Tighten until the trigger assembly is firm against the receiver. Make sure it is aligned with the receiver.
3. Install the hammer. Place the trigger safety in the forward *fire* position. While pulling the trigger back, slide the hammer assembly (A) into the receiver and past the trigger sear. Screw the end cap (D) clockwise into place, finger tight.
4. Install the barrel and stock. Place the barreled action into the stock and tighten the stock screw (S9). Install the ramrod (O).

Bighorn™ .50/.52 Wolverine™ .50 and TK2000™ Shotgun

209 Conversion Non-Full Plastic Jacket Breech Plugs

The DISC Extreme and Long Range Hunter can be converted to use 209 primers without the DISC Full Plastic Jacket.

1. Remove the old breech plug from the rifle.
2. Generously grease the new breech plug with breech plug grease.
3. Insert the new breech plug utilizing the existing combo tool.

Mfg# 900045



Knight Rolling Block (KRB7)

Action: Quick detachable trigger, hammer, rolling block assembly. Removable stainless steel breech plug.

Ballistics/Recommended Loads: (See page 13)

Barrel: 27", Green Mountain Rifle Barrel, Rifle Grade Blue or Stainless Steel, 1:28 Twist, .50 caliber

Ignition: 209 Primer

Included in Package: Hex Head Combo Tool, Jag & Extension, Sea High Pressure Sabot, 2ea Hammer Spurs, DVD.

Length and Weight: 43 inches, 8 Pounds

Safeties: Trigger block cross bolt, Hammer spur cocking/de-cocking

Powder: Black Powder FFg, or industry approved black powder substitute. (Maximum Powder Charge) 150 Grains by Volume, in loose or the pelleted powders.

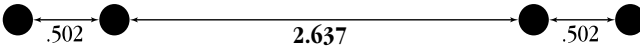
Scope Mounts: See-through #900790, Weaver Ring/Base sets #900775, #900776, Redfield Ring/Base sets #900730, #900731, and One Piece Base and Rings #900777.

Sights: Fully Adjustable Metallic Red Fiber Optic Rear Sight and a one piece Green Fiber Optic Bead and base. Receiver drilled and tapped for easy scope mounting.

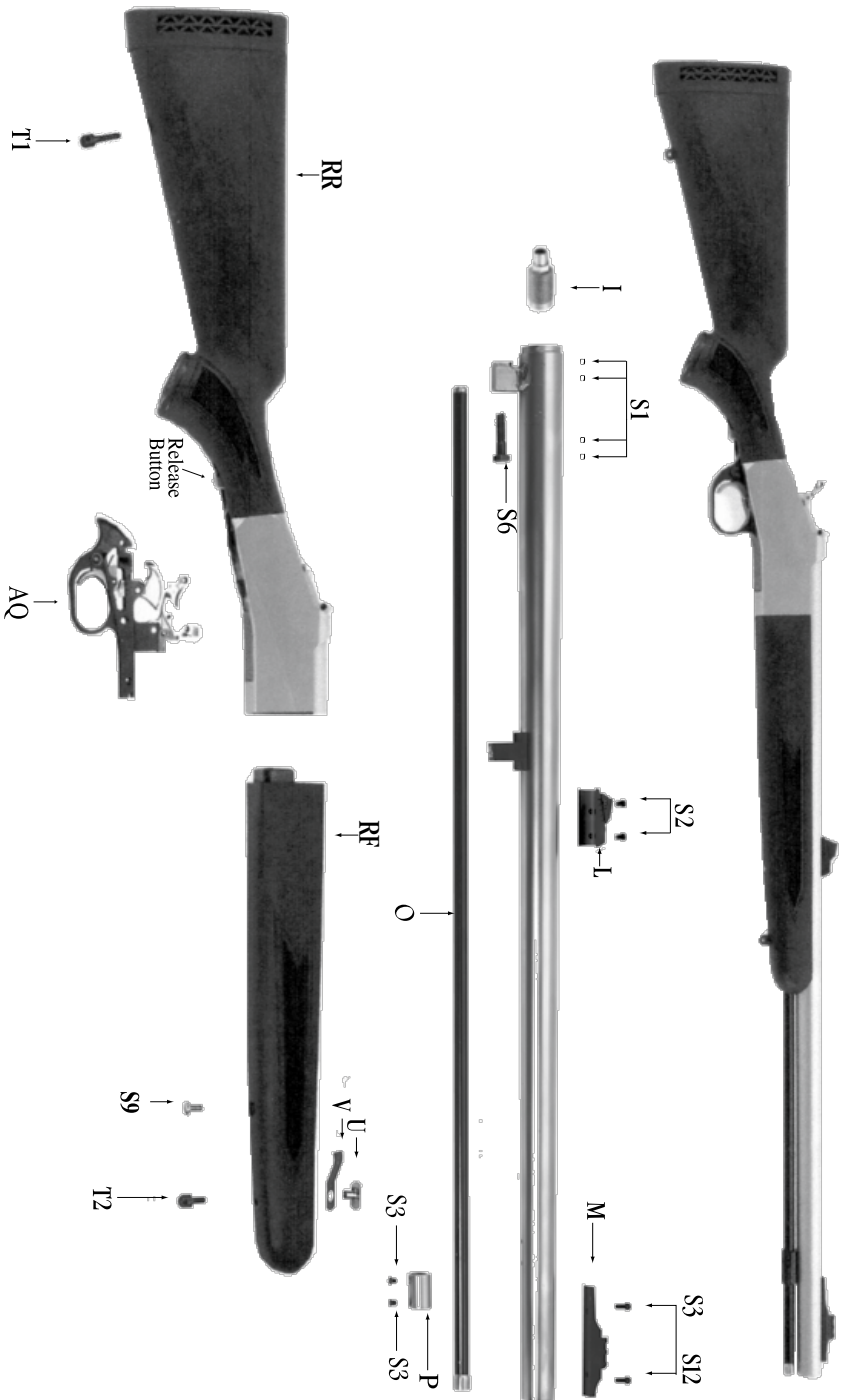
Stocks: Refer to current catalog

Warranty: Limited Lifetime with extended service policy. See page 54.

Receiver Hole Spacing for Scope Base Mounting



Knight Rolling Block (KRB7)



Knight Rolling Block (KRB7)

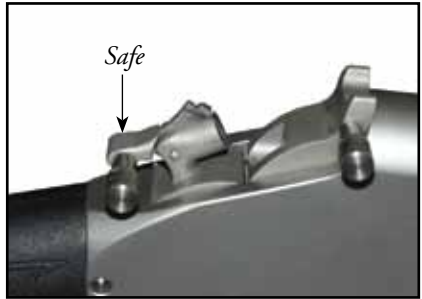
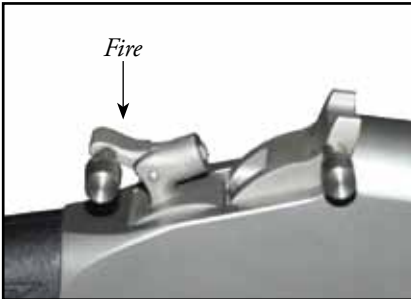
Action and Safety Systems

Rolling Block Action and Hammer Spur Safety

The rolling block action can be opened to install and remove primers.



The hammer spur safety provides protection from accidental discharge by changing the shape of the hammer nose so as to allow or not allow contact with the firing pin. This is achieved by pivoting the hammer spur downward to the safe position any time the hammer is cocked or de-cocked. When the rear of the spur is pushed down the forward portion of the hammer nose is rotated upward, preventing contact with the firing pin. For the rifle to fire, the spur must be moved to the raised position before the trigger is pulled.



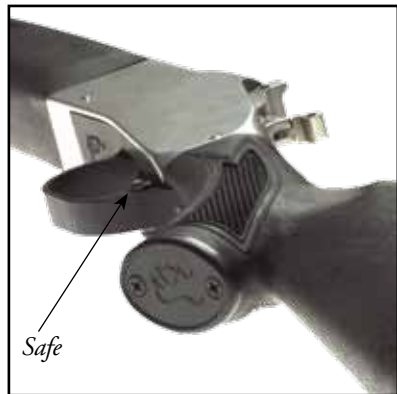
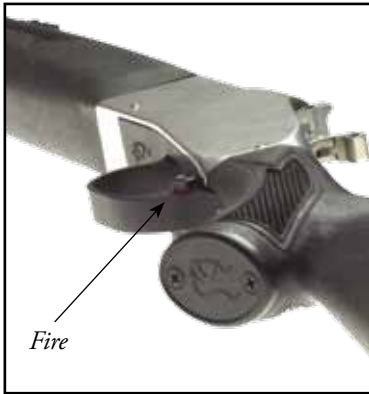
If for any reason the hammer spur does not pivot into either position with a positive click, or fails to move to the down (*safe*) position any time the hammer is cocked or de-cocked, immediately discontinue use of your rifle. Report this immediately to Knight Rifles warranty and customer service department at (256) 260-8950.

Knight Rolling Block (KRB7)

Trigger Blocking Cross Bolt Safety

This safety mechanism blocks the movement of the trigger to the rear (*fire*) position. This safety bolt consists of a red plastic ring embedded in the bolt to indicate the position of the safety. When the red ring is visible, the safety is off and when the trigger is pulled the hammer will fall and a loaded gun will fire.

⚠WARNING The trigger blocking cross bolt safety prevents firing of the rifle from the cocked position only. Do not allow the hammer to rest on the firing pin with the hammer spur safety in the up (*fire*) position when the rifle is primed! An accidental discharge can occur from impact to the hammer or dropping the rifle even with the trigger safety engaged. Never transport, carry, or handle your rifle in this condition.



Disassembly and Assembly

⚠WARNING Be sure the muzzleloader is not loaded or primed before disassembly or assembly.

Study the rifle schematic and acquaint yourself with the different parts and terminology of your muzzleloader before assembling or disassembling. Letters and numbers in parentheses refer to labels on each rifle schematic for each model.

It is advisable to use a padded vise to remove and reinstall the breech plug. Place small parts in a pan to avoid losing them.

Disassembly

1. Remove the trigger assembly. Press the release button located just behind the trigger guard. Swing the action away from the rifle and pull it out of the receiver.
2. Remove the breech plug. Insert the combo tool (socket end first) into the receiver, engage the plug (I) and turn it counterclockwise until it slides out of the receiver. This may require more force. (A hole in the combo tool allows for the use of a rod, for added leverage.) Put the plug in a jar of Knight solvent for a few minutes while cleaning the barrel and receiver.

Knight Rolling Block (KRB7)

3. Remove the forearm stock. By using the screwdriver end of the combo tool, take out the stock screw (S9) located on the underside of the stock. The stock and barrel easily separate.
4. Remove the barrel. Using the socket end of the combo tool, take out the bolt (S6) that is located in the forearm stock chamber. Unscrew it counter clockwise, until it slides out of the receiver. Pull the barrel up and out to release it from the receiver.

Assembly

1. Install the breech plug. Fill the threads of the plug with Knight Breech Plug Grease to help prevent the breech plug from sticking in the receiver. Using the breech plug end of the combo tool, insert the breech plug (I) into the rear of the receiver and hand-tighten the plug into the receiver until it is firmly against the back of the barrel. Be sure the breech plug is screwed all the way into the receiver. Do not over tighten the plug or it will become difficult to remove.
2. Install the trigger assembly.
3. Install the barrel and stock. Replace the stock screw (S9) and bolt (S6.).

Part Ref.	Model No.	Description
A	090215	HAMMER ASSEMBLY, 5/8 .50, MS, BIGHORN, TK2000, USAK, W209
AD	090232	BOLT ASSEMBLY, SS, DISC EXTREME (C-toolless)
AD	090223	BOLT ASSEMBLY, SS, Jeweled, MHL DISC EXTREME (C-toolless)
AQ	090263	TRIGGER CARRIAGE ASSEMBLY, MS, REVOLUTION
AQ	090264	TRIGGER CARRIAGE ASSEMBLY, SS, REVOLUTION
AQ	090267	TRIGGER CARRIAGE ASSEMBLY, MS, VISION
AQ	098200	TRIGGER GROUP ASSEMBLY, KRB
B	000871	HAMMER SCREW, MS, 10-32 X 3/8 allen head, BIGHORN, MHL DISC EXTREME, TK2000, USAK, W209
B	000881	HAMMER SCREW, SS, 10-32 X 3/8 allen head, MHL DISC EXTREME
C	090850	SECONDARY SAFETY, MS DISC EXTREME, BIGHORN, TK2000, USAK, W209
C	090860	SECONDARY SAFETY, SS, MHL DISC EXTREME
C1	008417	SAFETY BUTTON ASSEMBLY, REVOLUTION, VISION
D	090810	END CAP, MS, BIGHORN, TK2000, USAK, W209, W209 YOUTH
DD	000688	DISC BOLT BODY, SS, DISC EXTREME
DD	000695	DISC BOLT BODY, SS, MHL DISC EXTREME (Jeweled)
E	000813	END CAP O-RING, BIGHORN, TK2000, USAK, W209
F	000796	HAMMER SPRING, ALL DISC RIFLES
F	000785	HAMMER SPRING, BIGHORN, TK2000, USAK, W209
G	000718	HAMMER RAW, 416 SS, 5/8, BIGHORN, TK2000, USAK, W209
I	900024	BREECH PLUG, SS, 11/16, 45/50 Caliber, DISC EXTREME, MHL DISC EXTREME, VISION
I	90042	BREECH PLUG, SS, 11/16, 52 CALIBER, BIGHORN, DISC EXTREME, EVOLUTION
I	900021	BREECH PLUG, SS, 5/8, 50 Caliber, (EXTREMES), BIGHORN, TK2000, USAK, W209
I	000614	BREECH PLUG, KRB
I	000621	BREECH PLUG, SS, 5/8, 50 Caliber, BIGHORN #11 & MUSKET NIPPLES
I	000624	BREECH PLUG, SS, 11/16, 52 Caliber, BIGHORN #11 & MUSKET NIPPLES
I	000634	BREECH PLUG, SS 11/16, 54 Caliber, From EXTREME KIT 900604
I	00636	BREECH PLUG, SS, 11/16, REVOLUTION
H	090807	EXTRACTOR ASSEMBLY, For Full Plastic Jacket, VISION

Knight Parts™

Part Ref.	Model No.	Description
L	008814	SIGHT, Rear Assembly (Base & Fiber Optic Blade, Screws) Fits all Knight Rifles
L	008801	SIGHT, Rear Assembly (Base & Black Blade, Screws) Composite, USAK
L	090092	SIGHT, Rear Assembly (Base & Black Blade, Screws) 2005 BIGHORN Assy Kit
M	900175	SIGHT, Front Green Fiber Optic (1 piece Base & Bead) Fits all Knight Rifles
M	008725	SIGHT, Front Base & Fiber Optic Bead, Composite, USAK
M	008818	SIGHT, 1 Piece Front, Non-Fiber Optic, Metal, 2005 BIGHORN Assy. Kit
M1	008762	SIGHT, Front Fiber Optic Green Bead, Composite, USAK
O	900084	RAMROD, 22" STD, USAK, W209, W209 YOUTH
O	900085	RAMROD, 24" STD, VISION
O	900088	RAMROD, 26" STD, BIGHORN, DISC EXTREME, REVOLUTION, W209, KRB
O	010107	RAMROD, 26" with Extending .45 Jag, MHL DISC EXTREME
O	010100	RAMROD, 26" with Extending .50 Jag, MHL DISC EXTREME
O	010098	RAMROD, 26" with Extending 12 Gauge Jag, TK2000
P	000890	RAMROD GUIDE, Composite, BIGHORN,TK2000, USAK, VISION,W209, KRB
P	090891	RAMROD GUIDE, MS, DISC EXTREME, KNIGHT REVOLUTION
P	090901	RAMROD GUIDE, SS, DISC EXTREME, MHL DISC EXTREME, KNIGHT REVOLUTION
Q	090262	TRIGGER ASSEMBLY, BIGHORN, TK2000, W209
Q	090272	TRIGGER ASSEMBLY, BIGHORN - LH, W209 - LH
Q	090266	TRIGGER ASSEMBLY, DISC EXTREME
Q	090277	TRIGGER ASSEMBLY, MHL DISC EXTREME
Q	090265	TRIGGER ASSEMBLY, USAK, Non-Adjustable
R	090106	STOCK, DISC EXTREME, Black Composite
R	090193	STOCK, DISC EXTREME, Laminated, Black/Brown
R	090501	STOCK, DISC EXTREME, Black Composite
R	090503	STOCK, DISC EXTREME, Mossy Oak Break Up
R	090504	STOCK, DISC EXTREME, RealTree Hardwoods Green HD
R	090129	STOCK, MHL DISC EXTREME, Laminated Black/Brown Thumbhole
R	090128	STOCK, MHL DISC EXTREME, Laminated Black/Brown Thumbhole - LH
R	090126	STOCK, TK2000, Realtree Hardwoods Green HD
R	090115	STOCK, USAK, Black Composite, Solid
R	090181	STOCK, VISION forearm ~ RealTree Hardwoods Green HD

Part Ref.	Model No.	Description
R	090102	STOCK, BIGHORN, WOLVERINE 209, Black Composite
R	090110	STOCK, BIGHORN, WOLVERINE 209, Black Composite, LH
R	090107	STOCK, BIGHORN, WOLVERINE 209, Black Composite, Thumbhole
R	090158	STOCK, WOLVERINE 209, Black Composite Youth, 12 1/2" Pull Length
R	090104	STOCK, BIGHORN, WOLVERINE 209, Mossy Oak Break Up
R	090101	STOCK, BIGHORN, WOLVERINE 209, Realtree Hardwoods Green HD
RF	090184	STOCK, VISION Forearm ~ Mossy Oak Break-Up
RF	090182	STOCK, VISION Forearm ~ RealTree Hardwoods Green HD
RF	090149	STOCK, REVOLUTION / KRB Forearm ~ Laminated Black/Brown
RF	090146	STOCK, REVOLUTION / KRB Forearm ~ Walnut
RF	090162	STOCK, REVOLUTION / KRB Forearm ~ Black Composite
RF	090154	STOCK, REVOLUTION / KRB Forearm ~ Mossy Oak Break Up
RF	090168	STOCK, REVOLUTION / KRB Forearm ~ RealTree Hardwoods Green HD
RR	090150	STOCK, REVOLUTION / KRB Rear ~ Laminated Black/Brown
RR	090134	STOCK, REVOLUTION / KRB Rear ~ Walnut
RR	090163	STOCK, REVOLUTION / KRB Rear ~ Black Composite
RR	090155	STOCK, REVOLUTION / KRB Rear ~ Mossy Oak Break Up
RR	090170	STOCK, REVOLUTION / KRB Rear ~ RealTree Hardwoods Green HD
S1	090253	SCREW, Plug screws, MS, 6-48
S2	010030	SCREW, Sight, 6-48x.260
S3	010020	SCREW, Sight, 6-48x.160
S4	010022	SCREW, Sight 6-48x.197
S5	010010	SCREW, Sight 6-48x.130
S6	010008	SCREW, Barrel Mounting, 1/4-20x1 1/8 Hex Head, KNIGHT REVOLUTION / KRB
S7	008700	SCREW, Trigger Mounting, 10-32x1/2, ALL RIFLES (Except Revolution & Vision)
S8	010140	SCREW, Trigger Guard, wood screws, ALL RIFLES, VISION GRIP CAP
S9	010210	SCREW, Stock, 1/4-20x1, ALL RIFLES (Except Knight Revolution / KRB)
S9	010006	SCREW, Stock Forearm, 10-32x1/2, KNIGHT REVOLUTION / KRB, VISION
S10	000899	BOLT, Stock Rear, 5/16-24x3 Socket Head, KNIGHT REVOLUTION / KRB
S11	010025	SCREW, Sight, 6-48x6.1mm
S12	010055	SCREW, Sight, 6-48x.380

Knight Parts™

Part Ref.	Model No.	Description
S14	008462	SCREW, Quick Release Detent, DISC EXTREME, MHL DISC EXTREME
T1	010159	SWIVEL STUD, Rear, QD std wood screw, SS, MHL Laminated
T1	010160	SWIVEL STUD, Rear, QD std wood screw, MS, all other stocks
T2	010149	SWIVEL STUD, Front, QD, 3/8 mach screw, SS, MHL Laminated
T2	010150	SWIVEL STUD, Front, QD, 3/8 mach screw, MS, all other stocks
U	010232	BASE WELD NUT, 10-32 Front Swivel Stud, all stocks
V	010242	RAMROD SPRING LEAF, all stocks
W	010120	TRIGGER GUARD, Black Composite, BIGHORN, TK2000, USAK, W209
W	010130	TRIGGER GUARD, MS, DISC EXTREME
W	010132	TRIGGER GUARD, SS, MHL DISC EXTREME
X	010202	STOCK BUSHING SCREW, MS, .250
Z	090089	CHOKE TUBE, MS, Extra Full
Z	090088	CHOKE TUBE, MS, Modified
Z	090087	CHOKE TUBE, MS, Extra Full Compensated
	090217	ACCESSORY KITS, MHL DISC EXTREME, .45
	090219	ACCESSORY KITS, MHL DISC EXTREME, .50
	090279	ACCESSORY KITS, DISC EXTREME, .45
	090274	ACCESSORY KITS, DISC EXTREME, .50
	090249	ACCESSORY KITS, DISC EXTREME, .52
	090282	ACCESSORY KIT, BIGHORN, .50
	090287	ACCESSORY KIT, BIGHORN, .52
	090238	ACCESSORY KITS, REVOLUTION, VISION
	090284	ACCESSORY KIT, .52 cal, REVOLUTION
	090701	ACCESSORY KIT, TK2000
	090255	ACCESSORY KIT, USAK
	090700	ACCESSORY KIT, WOLVERINE 209
	090238	ACCESSORY KIT, KRB
	120111	ALLEN WRENCH, 5/32
	000976	COMBO TOOL, 5.5" Hex/Screw Driver Headed, KNIGHT REVOLUTION / KRB, VISION
	090977	COMBO TOOL, 5.5" Hex/Nipple Headed, BIGHORN
	090978	COMBO TOOL, 5.5" Hex Head Only, EXTREMES, WOLVERINE 209, DISC, TK, USAK

Part Ref.	Model No.	Description
	090233	DISC EXTREME BOLT SUB-ASSY, C-Toolless, MS, DISC EXTREME
	090224	DISC EXTREME BOLT SUB-ASSY, C-Toolless, SS, MHL DISC EXTREME
		INSTRUCTIONAL DVD (Call Knight for VHS)
		OWNER'S MANUAL

Service Policy

Every Knight muzzleloader™ is carefully inspected and tested in order to ensure that it conforms to Knight's strict specifications and standards.

Any alteration, modification, misuse, repair, or refinishing will result in voiding the warranty. If there is any question regarding the performance of your muzzleloader, please write our Service Department, fully describing all circumstances and conditions involved. If our Service Department makes the determination that your muzzleloader requires factory service you will be so advised and will be given instructions for the most expeditious handling of your muzzleloader.

Our Service Department will give your muzzleloader a complete inspection and evaluate the problem(s) specified in your letter. If the work required is not covered under the terms of our Limited Lifetime Warranty or Limited Lifetime Warranty with Extended Service Policy (refer to page 54 of this manual), you will receive an actual cost quotation, not an estimate. Any repair work must be authorized by you, and no work will be done without your expressed approval.

Instructions for Return

Following these instructions will ensure you the best possible service. If for any reason you should have to return the muzzleloader, please use extreme caution and make certain that it is unloaded. Please return the complete muzzleloader.

1. Package the muzzleloader securely to prevent damage in transit.
2. Ensure that a letter is securely and obviously attached to the muzzleloader. This letter should include your full name, address, and telephone number where you may be reached both during normal business hours and at your residence. Include a thorough description of the problem that you encountered with your muzzleloader so that we may make proper repairs. Please make your letter as clear as possible (using diagrams, if possible); please write or print legibly or have the letter typed. If you prefer, you may call Knight Rifles at the number listed below or e-mail at www.krwarranty.com
3. Send your muzzleloader prepaid parcel post or UPS insured to the address listed below. C.O.D. shipments will not be accepted.

If you need further help or information concerning this warranty, please write or call the Knight Rifles Service Department at the following address:

KR Warranty Repair

256-260-8950 ext 2128

Web site: www.krwarranty.com

Warranty Limitations

Knight products™ are sold by us with the specific understanding that we are not responsible in any manner whatsoever for their safe handling or resale under local, state, and federal laws and regulations. Knight Rifles shall not be responsible in any manner whatsoever for malfunctioning of the muzzleloader, for physical injury, or for property damage resulting in whole or in part from:

1. Accidental or negligent discharge
2. Improper or careless handling
3. Unauthorized modifications
4. Defective or improperly loaded powder or projectile
5. Corrosion
6. Neglect
7. Other influences beyond our direct and immediate control.

This limitation applies regardless of whether liability is asserted on the basis of contract, negligence, or strict liability (including any failure to warn). Under no circumstances shall Knight Rifles be liable for incidental or consequential damages, such as loss of use of property, commercial loss, and loss of earnings or profits.

Knight Rifles is not responsible for any alterations to your Knight Muzzleloader™ or any part thereof after it leaves our control, or for the addition or substitution of parts or accessories not manufactured by Knight Rifles. Any changes made in this product are specifically contrary to our instructions, and we expressly do not authorize any changes to be made after manufacture. Any alteration will result in voiding the warranty.

If you need further help or information concerning this warranty, please write or call the Knight Rifles Service Department at the following address:

KR Warranty Repair

256-260-8950 ext 2128

Web site: www.krwarranty.com

Limited Lifetime Warranty (Bighorn™, TK2000™, Wolverine™)**Limited Lifetime Warranty Extended Service Policy (DISC™ Extreme, Long Range Hunter, Knight Revolution™, Knight Vision™, KRB7)***Year 1:*

Knight® Rifles will repair or replace any defective part caused by defective materials/craftsmanship.

Year 2-5 (extended service policy - DISC Extreme, Long Range Hunter, Knight Revolution, Knight Vision, KRB7):

Knight® Rifles will repair or replace any defective threaded parts caused by defective materials/craftsmanship.

Lifetime:

Knight® Rifles will replace or repair a defective barrel or receiver caused by defective materials/craftsmanship.

Warranty Limitation:

- Warranty begins at the original date of purchase
- Warranty applies only to normal use
- Warranty only applies to original purchaser
- Warranty does not apply to wear items such as nipples

Warranty Is Void If:

- Serial number is defaced
- There is a defect due to damage or product alteration
- Product is not used in accordance with use and care instructions
- Rifle is not cleaned per owner's manual
- Knight® Rifles is not responsible for any incidental or consequential damages

Owner's Responsibilities:

- Provide proof of purchase (sales invoice/canceled check/warranty card/UPC code)
- Normal care and maintenance
- Replacing owner replaceable items
- Shipping/handling and insurance on a factory return
- Normal cleaning as instructed per owner's manual

No Other Warranties. To the maximum extent permitted by applicable law, Knight® Rifles disclaims all other warranties, either express or implied, including, but not limited to, implied warranties of merchantability and fitness for a particular purpose. This

Knight Warranty™

limited warranty gives you specific legal rights. You may have others which vary from state/jurisdiction to state/jurisdiction.

No Liability For Consequential Damages. To the maximum extent permitted by applicable law, in no event shall Knight® Rifles or its suppliers be liable for any damages whatsoever (including, without limitation, special, incidental, consequential, or indirect damages for personal injury or any other pecuniary loss) arising out of the use of or inability to use this product, even if Knight® Rifles has been advised of the possibility of such damages. In any case, Knight® Rifles' and its suppliers' entire liability under any provision of this agreement shall be limited to the amount actually paid by you for the product. Because some states/jurisdictions do not allow the exclusion or limitation of liability for consequential or incidental damages, the above limitation may not apply to you. This warranty gives you specific legal rights, and you may have others which vary from state to state. For example, some states do not allow the exclusion or limitation of incidental or consequential damages, so this exclusion may not apply to you.

Do not return your muzzleloader to the store.

Most problems can be resolved by simply calling Knight® Rifles at (641) 856-2626, ext. 143. Should your firearm require adjustment, repair, or refinishing, we strongly recommend that it be returned to Knight® Rifles for factory service or contact the dealer you purchased your rifle from.

KR Warranty Repair

256-260-8950 ext 2128

Web site: www.krwarranty.com

Disclaimer: Knight® Rifles are designed for use with Black Powder FFg, or industry approved black powder substitute. Our products are designed specifically for use on Knight® Rifles. Knight® Rifles expressly disclaims any and all liability for incidental or consequential damages due to the misuse or altering of these rifles and products; any mishandling (whether accidental or purposeful) of these rifles and products; exceeding the maximum load recommendations; or for rifles on which our products have been installed.

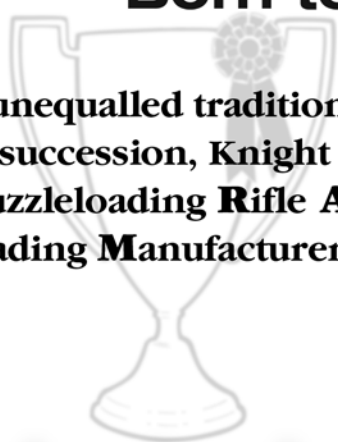
⚠WARNING There are many black powder substitutes available. Read and follow all instructions and warnings provided by the manufacturer of the propellant you choose.



KNIGHT[®]

Born to Hunt

**Knight has an unequalled tradition of accuracy.
Six years in succession, Knight has won the
National Muzzleloading Rifle Association -
National Muzzleloading Manufacturer's Championship.**



WHEN EVERY SHOT COUNTS, IT PAYS TO SHOOT WITH A KNIGHT!





Telephone (256) 260-8950 ext 2128
www.krwarranty.com

affiliate of

**EBSCO
Industries,
Inc.**



RD, Box 1945
Birmingham, AL 35201-1945

© 6/11
Form # 100135