

KART 22 CALIBER CONVERSION UNIT

SPECIFICATIONS

Caliber:	22 Long Rifle
Sights:	Micrometer, click adj.
Sight Radius:	8.25 inches
Weight:	On steel frame: 4.7 oz
Barrel:	Lands & grooves: 16 each
Twist:	1 in 15 inches
Length:	5.950 inches
Finish:	Gun Blue, high polish on sides; Matte on upper surface

FEATURES

- All steel construction
- Slide stop operates automatically to lock slide open on last shot
- Serrated and sandblasted upper slide surface to reduce glare
- Meets all ISU specifications for Standard Pistol competition
- Dismounts from receiver as a unit—no loose parts

The KART Conversion Unit is designed to interchange with the 45 or 38 caliber slide assembly on the Colt system receiver. The change from one caliber to another can be done in approximately 30 seconds with only a medium size screwdriver.

A patented barrel locking system locks the barrel assembly securely to the uppermost surface of the receiver. The sight assembly is fastened directly to the barrel, assuring a constant relationship at all times.

The prime advantage of the KART Conversion Unit is that a shooter may fire a complete NRA 2700 Aggregate with the feel of one grip and one trigger pull. Many shooters outscore their 22's with their centerfire and 45 pistols. This is the way to bring their 22 scores up to their proper level.

Another advantage is economic. If a shooter owns a Colt 38 or 45 target pistol, this unit will add a 22 target grade capability to that same receiver. Use of the KART Conversion Unit on an accurized receiver will not affect the accuracy of the original gun.

Although the Unit will fit virtually all Colt and Essex frames, some that have been considerably altered by some gunsmiths may require hand fitting. There will be only a handling and shipping charge for this service.

Custom work on the customer's receiver is available, such as trigger job, stippling and rebluing.

NOTE: No FFL is required for purchase of the Conversion Unit only, and registration is not required. The Unit may be mailed.

ART SPORTING ARMS CORPORATION

RD 2 BOX 929 BROAD AVENUE, RIVERHEAD, N.Y. 11901
516 - 722-3021

The Kart 22 cal. Conversion Unit will fit:

- Colt 38 Super or 9mm
- Colt 45 Gold Cup
- Colt 45 Government Model
- Model 1911
- Model 1911A1
- Essex, Crown City and other similar copies of the Colt receiver.

The Conversion Unit will fit any of the above unaltered receivers with no gunsmithing. The only tool required for installation is a medium size screwdriver. Some of the above receivers that have had their rails severely rolled may require fitting at the factory. This fitting will be done entirely to the Conversion Unit so the accuracy of the original pistol will not be affected.

The Conversion Unit is accurate within itself and automatically adjusts to different receivers without change in point of aim. The make or model of the receiver can in no way affect the inherent accuracy of the Unit.

The Kart 22 cal. Conversion Unit WILL NOT fit:

- Colt Commander — any caliber
- Colt 38 Gold Cup

The Colt 38 Gold Cup receiver can be fit with a Conversion Unit providing it is to be a permanent installation. A slight alteration to the receiver is required, and if the 38 slide and barrel assembly were to be replaced on the receiver after such alteration, the 38 rounds may not feed reliably.

We have no plans at the present time to produce a Unit for the Colt Commander or any other make of pistol. The forward end of the Commander receiver is shorter than the Government Model, leaving a gap between the slide and the receiver, which could cause injury when fired using a two hand hold. Use of the Conversion Unit on the Commander receiver is not recommended and such use is entirely at the risk of the user.

Kart Sporting Arms Corp. will offer its own receivers beginning about January, 1979. The quality of these receivers is guaranteed to be equal to or better than the Colt Government Model. Acquiring our own receiver has been necessary because the quality of the investment cast copies of the Colt have not been consistent enough for us to use them in our manufacture. Our Unit will fit these Colt copy receivers and many are being used with great success. If the customer owns one of them and is satisfied with it, the Unit will no doubt fit on it and work well on it.

When our new receivers become available in sufficient quantities we will begin to produce our own 38 and 45 Target Pistols. Each person who has inquired about our Conversion Unit or other products will be notified as soon as we have more information on availability.

The design of the Unit lends itself to the use of optical sights. Many now available can be attached directly to the sight rib by cutting a dovetail along the side of the barrel shroud. The need for a sight base and drilling and tapping is eliminated. The dovetail cut can be done at the factory as an option.

ART SPORTING ARMS CORPORATION

~~RD 2 BOX 929 BROAD AVENUE, RIVERHEAD, N.Y. 11901~~
~~516 - 722-3024~~

1180 OLD COUNTRY RD.
RIVERHEAD, N.Y. 11901
(516) 727-2719

CAUTION:

Do not put live cartridges into the chamber at any time other than when the unit is properly mounted on a receiver and the user is prepared to fire the pistol in a safe manner.

OPERATING INSTRUCTIONS

TO ASSEMBLE THE UNIT ON THE RECEIVER: Depress the barrel bushing button and turn the barrel bushing clockwise to the stop. Remove the button. Back off the barrel locking screw about two turns, and slide the unit onto the receiver as far to the rear as it will go. Insert the pivoting slide stop pin through the receiver and through the hole in the barrel link. Move the lower slide to the rear so the disassembly notch lines up with the rear of the slide stop, and press the slide stop pin home. Let the slide forward, and with a medium size screwdriver tighten the barrel locking screw. Do not over-tighten, as this will serve no purpose, and the slide stop pin may be bent or broken. As the Unit is fired, check the screw to keep it tight while the barrel is seating to the receiver. Replace the button.

IMPORTANT: For this unit to function reliably, the lower slide must move freely on the receiver rails. If it does not move freely, look for interference either from the rails on the receiver which have been "rolled" during accuracy work or from the 38 or 45 caliber ejector, which must be left in place. If the receiver is to be switched back and forth from centerfire to rimfire, do not alter the rails. Removal of material from the slide only is recommended. If you do not feel capable to do this, return the unit along with the receiver and all parts to Kart Sporting Arms Corp. and it will be fitted, test fired and returned in one week.

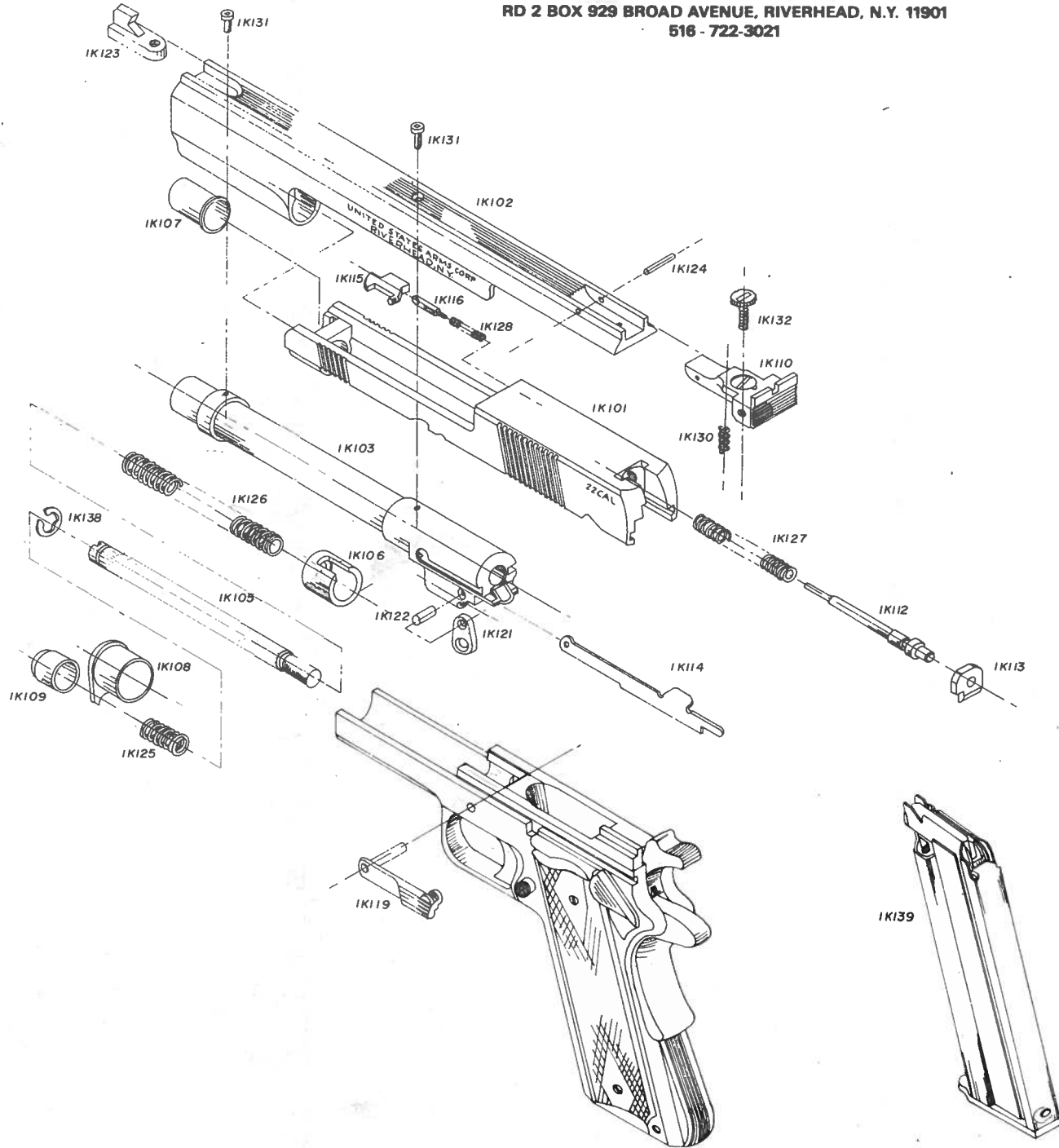
TO DISASSEMBLE THE UNIT FROM THE RECEIVER: Depress the barrel bushing button and turn the barrel bushing clockwise to its stop. Remove the button. Loosen the barrel locking screw 3 or 4 turns. Push back on the muzzle to break the lockup. The barrel assembly should now be loose in relation to the receiver. Move the slide to the rear so the disassembly notch is lined up with the rear of the slide stop, and remove the slide stop pin. Slide the Unit forward off the receiver.

DISASSEMBLY FOR CLEANING: First disassemble the Unit from receiver. Unscrew the barrel locking screw and remove while holding the recoil spring so it will not buckle. Remove the spring and then the barrel lug bridge, noting its placement on the barrel assembly. Slide the barrel assembly and the slide assembly apart and the Unit is sufficiently disassembled for cleaning.

NOTE: The barrel locking assembly is protected by U.S. Patent No. 3657959 and another patent pending.

THE MAGAZINE IS DESIGNED FOR TARGET SHOOTING PURPOSES TO RELIABLY FEED 5 ROUNDS. ALTHOUGH MORE MAY BE INSERTED, WE DO NOT GUARANTEE THEY WILL FUNCTION RELIABLY.

ART SPORTING ARMS CORPORATION
 RD 2 BOX 929 BROAD AVENUE, RIVERHEAD, N.Y. 11901
 516 - 722-3021



- 1K101 SLIDE
- 1K102 BARREL SHROUD
- 1K103 BARREL
- 1K105 BARREL LOCKING SCREW
- 1K106 BARREL LUG BRIDGE
- 1K107 RECOIL SPRING RETAINER
- 1K108 BARREL BUSHING
- 1K109 BARREL BUSHING PLUNGER
- 1K110 REAR SIGHT ASSEMBLY
- 1K112 FIRING PIN
- 1K113 FIRING PIN RETAINER
- 1K114 EJECTOR
- 1K115 EXTRACTOR
- 1K116 EXTRACTOR PLUNGER
- 1K119 SLIDE STOP ASSEMBLY
- 1K121 BARREL LINK
- 1K122 BARREL LINK PIN
- 1K123 FRONT SIGHT
- 1K124 REAR SIGHT PIN
- 1K125 BARREL BUSHING PLUNGER SPRING
- 1K126 RECOIL SPRING
- 1K127 FIRING PIN SPRING
- 1K128 EXTRACTOR SPRING
- 1K130 SIGHT ELEVATION SPRING
- 1K131 BARREL SHROUD SCREW (2)
- 1K132 REAR SIGHT ELEVATION SCREW
- 1K138 BARREL SCREW RETAINER RING
- 1K139 MAGAZINE

<u>PART NO.</u>	<u>PART NAME</u>	<u>PRICE</u>
1K101	Slide	Exchange only
1K102	Barrel shroud	Exchange only
1K103	Barrel	Exchange only
1K105	Barrel locking screw	\$ 2.00
1K106	Barrel lug bridge	2.50
1K107	Recoil spring retainer	2.50
1K108	Barrel bushing	7.00
1K109	Barrel bushing plunger	2.00
1K110	Rear sight assembly	28.00
1K112	Firing pin	4.00
1K113	Firing pin retainer	4.00
1K114	Ejector	2.50
1K115	Extractor	3.50
1K116	Extractor plunger	1.50
1K119	Slide stop assembly	11.00
1K121	Barrel link	2.50
1K122	Barrel link pin	1.00
1K123	Front sight	7.50
1K124	Rear sight pin	.50
1K125	Barrel bushing plunger spring	.50
1K126	Recoil spring	1.00
1K127	Firing pin spring	1.00
1K128	Extractor spring	.50
1K130	Sight elevation spring	.50
1K131	Barrel shroud screw	.25
1K132	Rear sight elevation screw	6.00
1K139	Magazine assembly, .22 cal.	22.00