

INSTRUCTION MANUAL



JIMENEZ ARMS



IMPORTANT SAFETY MESSAGE

DO NOT OPERATE THIS FIREARM UNTIL YOU READ
THE ENTIRE INSTRUCTION MANUAL.

JIMENEZ ARMS • LAS VEGAS, NV

JIMENEZ MODEL J.A. NINE PISTOL

FEATURES:

- 9mm 10 or 12 Round Magazine Capacity
- Magazine Out Safety
- Slide Hold Open on Last Round
- Loaded Chamber Indicator
- Bold Pistol Red Cocked Indicator
- Massive Screw Adjustable Rear Sight (optional)
- High Visibility Red Front Sight
- Thumb Operated Magazine Release

EXTRA MAGAZINE included.

BEFORE THIS FIREARM LEFT THE FACTORY, IT WAS TEST FIRED, INSPECTED, AND PACKAGED. JIMENEZ ARMS CANNOT CONTROL PRODUCT HANDLING AFTER YOUR PISTOL LEAVES THE FACTORY. THEREFORE, PLEASE EXAMINE YOUR PISTOL CAREFULLY BEFORE FIRING.

DANGER

- Failure to read, understand and follow the instructions and warnings accompanying this product will lead to serious bodily injury or death.
- **INSTALLING AN EMPTY MAGAZINE INTO THE PISTOL AND PULLING THE TRIGGER WILL DISCHARGE A CARTRIDGE LEFT IN THE CHAMBER. ALWAYS CHECK AND MAKE SURE THE CHAMBER IS CLEAR WHEN HANDLING A FIREARM.**
- Never carry a firearm in a loaded, cocked condition with the safety off unless you are ready to fire.
- Always make sure the pistol is uncocked and unloaded before takedown can be performed.
- Never point your pistol at anything you do not intend to shoot. If you do so, and the pistol fires accidentally, injury, death, or property damage may occur.
- Never leave your pistol in loaded and cocked condition. This is an extremely dangerous condition. Your pistol could easily cause injury, death, or property damage. See page 8 for safe unloading instructions.
- Always handle your pistol as if it were loaded.

WARNING

Children are attracted to and can operate firearms that can cause severe injuries or death. Prevent child access by always keeping guns locked away and unloaded when not in use. If you keep a loaded firearm where a child obtains and improperly uses it, you may be fined or sent to prison.

ADVERTENCIA

A los niños los atraen las armas de fuego y las pueden hacer funcionar. Ellos pueden causarse lesiones graves y la muerte. Evite que los niños tengan acceso a las armas de fuego guardándolas siempre con llave y descargadas cuando no las este utilizando. Si usted tiene una arma de fuego cargada en un lugar en que un niño tiene acceso a ella y la usa indebidamente, le pueden dar una multa o enviarlo a la cárcel.

⚠ WARNINGS ⚠

- When using this product always WEAR EYE and HEARING PROTECTION. This applies to both the shooter and bystanders.
- Keep the manual safety in the safe position until you are ready to shoot.
- Do not put your finger on the trigger or in the trigger guard area until you are ready to shoot.
- Never shoot your pistol if it fails to function properly. If your pistol fails to operate correctly, stop shooting and contact Jimenez Arms. Refer to pages 6, 7 & 8.
- Never leave a loaded pistol unattended. Someone may fire the pistol and cause injury, death, or property damage.
- Never take anyone's word that a firearm is unloaded or safe. Check the pistol's condition yourself.
- Be sure of your target. Be sure the area behind it is clear before you pull the trigger. A bullet can travel several miles. IF YOU ARE NOT SURE, DO NOT SHOOT.
- Always check the barrel for obstructions or blockages before you shoot your pistol. Any obstruction, no matter how small, could cause serious damage and/or injury to the shooter.
- In most jurisdictions, it is illegal for a person under age 18 to possess and/or operate a firearm unless under the direct supervision of an adult. The adult owner of this pistol must ensure that no minors touch this gun outside his or her supervision.
- You or anyone you permit to handle this product must review this information book carefully before handling the firearm. After reading this manual, go through it a second time, this time examining the firearm in an unloaded condition to acquaint yourself with the features described in this manual. If, after reviewing these instructions and examining the firearm, you are unsure of how to safely operate the firearm, contact a certified firearm safety instructor for further instruction.

NEVER HANDLE ANY FIREARM THAT IS LOADED OR UNLOADED WHEN ALCOHOL OR DRUGS HAVE BEEN CONSUMED.

BECOMING FAMILIAR WITH YOUR PISTOL (BEFORE ACTUALLY SHOOTING)

No safety feature can replace proper firearms training, safe gun handling practices and common sense! When handling this or any firearm, always point the firearm in a safe direction. And always handle this or any other firearm as if it were loaded.

We strongly urge you to carefully review the procedures below and follow them carefully to learn the basic functions and handling characteristics of your new firearm. We also strongly recommend that you retain these instructions for future reference. If you transfer ownership of this firearm include this instruction booklet.

Throughout the procedure described below:

Always point your pistol in a safe direction. Keep your fingers off the trigger. Grasp and hold the pistol firmly. Remove magazine and check chamber to make certain the firearm is unloaded. When possible always place the manual safety in the safe position.

CHECKING THE CHAMBER

To view inside the chamber, remove magazine, pull back the slide to the rear until the chamber is exposed (approximately 1 inch). Visually inspect the chamber and magazine, area to see if a cartridge is present. If a cartridge is present, your pistol is ready to be fired. If you do not intend to shoot at this time, you should unload your pistol including the cartridge in the chamber. Refer to page 8 Unloading Your Pistol.

MAGAZINE OUT SAFETY

This feature is not apparent on visual inspection. When the magazine is removed from the pistol grip area, it disables the trigger and firing mechanism.

DANGER

INSTALLING AN EMPTY MAGAZINE INTO THE PISTOL AND PULLING THE TRIGGER WILL FIRE A CARTRIDGE IN THE CHAMBER. Relying on the magazine out safety can result in serious injury or death. Always practice safe gun handling techniques and never point the firearm at something you do not intend to shoot.

RED COCKED “INDICATOR”

The red cocked indicator device will indicate whether the pistol is cocked and ready to fire. The red cocked indicator will visibly protrude through the rear of the slide (about 1/8 inch) when the pistol is cocked. See page 8 if you need to unload your pistol.

MANUAL SAFETY

The manual safety, located on the left side grip area, should always be placed in the “safe” position until ready to fire. While in the “safe” position, the slide cannot be moved rearward to cock or load a cartridge. The manual safety must be in the “fire” position to cock or load the pistol. Immediately after cocking or loading your pistol, return the safety to the “safe” position until you are ready to shoot.

LOADED CHAMBER INDICATOR

When viewing your pistol from a normal shooting stance, the loaded chamber indicator is on top of the slide between the rear sight and the ejector port. The loaded chamber indicator alerts the operator whether a cartridge (live or fired) is in the chamber. If the indicator is sticking up, a cartridge remains in the chamber. See page 8 for unloading instructions. If the indicator is flush with the slide top surface, this condition indicates no round in the chamber.

SLIDE HOLD OPEN

After firing the last round in the magazine, the slide will hold open. This allows both the operator and the bystanders to visually check the chamber and magazine area to make certain the pistol is empty.

ADJUSTABLE REAR SIGHT (OPTIONAL)

To allow for more precise target shooting, your model Nine pistol incorporates adjustments for elevation and windage. Combining the full adjustment with a high visibility white border will enhance target shooting accuracy. For vertical adjustments turn the screw located on the top of the sight. Usually 1/4 to 1/2 turn is sufficient. For horizontal adjustment turn the screw located under the sight in 1/2 turn increments.

HIGH VISIBILITY RED FRONT SIGHT

For more accurate target shooting, the bright red front sight aligns with the rear sight, providing a more effective sight pattern.

THUMB OPERATED MAGAZINE RELEASE

The magazine release allows quick and efficient release of your magazine in a more conventional manner. To release the magazine, press the magazine release button while maintaining a firm grip on the gun. The magazine should drop free from the magazine well. To insert the magazine into the firearm, align it with the magazine well and firmly press it into place until it clicks. Do not force the magazine into the magazine well or strike the butt plate of the magazine forcefully to seat the magazine. Either of these actions may damage the magazine and/or feeding mechanism, causing possible malfunctions in the firearm. If your inspection reveals any damaged, loose, or apparently missing parts, return the firearm immediately to Jimenez Arms. **REMOVING THE MAGAZINE DOES NOT REMOVE THE CARTRIDGE IN THE CHAMBER.**

WARNING

Never carry with cartridge in the chamber even though the manual safety is activated to the “safe” position. **AT ALL TIMES KEEP THE SAFETY IN THE “SAFE” POSITION UNLESS YOU ARE READY TO SHOOT.** These safety features do not replace safe gun handling practices. Never point a cocked firearm at anything you do not intend to shoot. **NEVER CARRY A FIREARM IN A COCKED & LOADED CONDITION.**

COCKING & UNCOCKING YOUR PISTOL

After checking for a cartridge and removing the magazine, pull the slide back to the rearward most position, and by releasing the slide this will allow it to return to its forward position. The RED COCKED INDICATOR will now protrude through the rear of the slide, about 1/8 inch. This protrusion indicates the pistol is cocked and if loaded would be ready to fire. Insert an empty magazine, point in a safe direction, pull the trigger to dry fire your pistol. This will uncock your pistol and the red cocked indicator will be out of view.

Do not load ammunition into your pistol or start the following sequence until you are prepared to shoot. Do not load a cartridge into the chamber or cock the pistol until you are ready to shoot.

PREPARING TO SHOOT (ACTUALLY SHOOTING)

Always point your pistol in a safe direction. Any firearm is dangerous if not handled properly.

With the pistol pointed in a safe direction, insert the loaded magazine into the magazine well and push the magazine firmly until it locks into place.

IMPORTANT

Do not forcefully strike the base of magazine to lock in to place. Push it firmly into the pistol. Otherwise, you could damage the magazine and/or injure your hand. Damaging the magazine can lead to ammunition jams and pistol malfunctions.

FIRING

When ready to shoot, disengage the manual safety and with your free hand grip the slide and pull it fully to the rear. Release slide to feed a round into the chamber. With your fingers off the trigger, look at the red cocked pistol indicator (REAR OF SLIDE). It should be protruding about 1/8 inch. This indicates the pistol is cocked and ready to fire. Pressure on the trigger will cause the pistol to discharge, possibly causing death, injury or property damage. Point your pistol at the target and carefully squeeze the trigger. The pistol should fire, automatically feeding the next round from the magazine into the chamber, and cocking the pistol. The pistol is ready to fire again. You can continue to fire the pistol until all rounds in the chamber are fired. Remove the magazine and examine the chamber area for live or expended rounds.

UNLOADING YOUR PISTOL

When you finish shooting and wish to unload or clear your pistol, follow the following procedure: Remove the magazine. Point the pistol in a safe direction, keeping fingers off the trigger, pull the slide back in one smooth continuous motion. The cartridge in the chamber will then eject through the side of the slide. Visually inspect to make certain no other rounds are present in the chamber or magazine area. You may then allow the slide to move forward.

HANDLING A MISFIRE WHILE SHOOTING

In case of a misfire while shooting your firearm, observe the following procedure: Keep firearm pointed at the target for at least (30) seconds. This will allow adequate time for a delayed cartridge to fire. After at least (30) seconds and while keeping the pistol pointed in a safe direction, unload the pistol following the unloading your pistol instructions. Remember to remove the magazine before ejecting the chambered round.


STOP SHOOTING IMMEDIATELY, unload the pistol, and inspect the barrel and pistol firing mechanism if:

- You have difficulty loading a round into the chamber area or feel unusual resistance.
- A round (cartridge) fails to fire.
- A fired cartridge does not eject.
- A cartridge sounds or feels weak or abnormal.

Continued use under the above conditions may render your pistol unserviceable and dangerous. **DO NOT FIRE ANOTHER CARTRIDGE**. Secure the pistol and contact a qualified gunsmith/manufacturer.

DISASSEMBLING AND CLEANING YOUR PISTOL

Now that you have purchased a firearm, you should purchase a cleaning kit designed for cleaning and maintaining your pistol. Read all instructions provided with your cleaning kit. If you have questions about the kit, consult your retailer.

DANGER  **THE PISTOL MUST BE IN THE UNCOCKED AND UNLOADED CONDITION BEFORE TAKEDOWN CAN BE PERFORMED.** If a magazine is in the pistol, it must be removed before continuing. With your pistol pointed in a safe direction, follow the instructions in unloading your pistol. See page 8. If you need to unload your pistol. Once the pistol is unloaded, you may proceed with the following:

If a magazine is in the pistol, it must be removed before continuing. Grasp the frame of your pistol in your right hand. Using your left hand, push the slide rearward until it stops. Holding the slide in this position, push in the disassembly button and pull the slide upward. The slide will lift up and then forward (caution: under spring pressure). When the slide is completely removed from the pistol, the only loose parts will be the recoil spring and the spring guide. Please note the position of these parts for reassembly after cleaning.

Reassemble is the reverse procedure.

TRANSPORTATION AND STORAGE OF YOUR PISTOL

- Please retain the box your pistol was purchased in. This box is ideal for transporting and/or storage of your pistol.
- These instructions should be retained with your pistol and be passed on to any subsequent owner of this firearm.
- Prior to transporting your pistol it is very important to make certain the pistol is completely unloaded (SEE UNLOADING YOUR PISTOL INSTRUCTIONS). To further ensure the safe condition of your pistol, remove the magazines from the pistol.
- Consult your local law enforcement official for approved methods of firearm transportation. Laws vary from area to area.

AMMUNITION

Use only top quality, factory-made ammunition in your pistol. Never use ammunition that is wet, dirty, bent, corroded, or otherwise damaged.

Make certain ammunition is the proper size or caliber for your pistol. The proper size is permanently stamped on the pistol slide. Use of the wrong size ammunition in your pistol will cause damage to the pistol and possible bodily injury or death.

We do not recommend using imported military surplus ammunition or reloaded ammunition. Improperly reloaded ammunition can cause severe damage to your pistol and possible serious injury to the shooter and bystanders.

+P CARTRIDGES SHOULD NEVER BE USED IN THIS PISTOL. This type of ammunition fires with chamber pressures exceeding industry standards for factory ammunition.

CAUTION:

Ammunition used in this firearm contains lead. Use of this ammunition may expose you to lead, a chemical known to the state of California to cause cancer and reproductive harm. Shooting full-metal jacket ammunition will greatly reduce your exposure to lead. Always wash your hands thoroughly after cleaning firearms or handling ammunition.

Any obstruction in the barrel, over-charged ammunition, or the use of incorrect, improperly assembled, dirty, corroded, or damaged cartridges can lead to excessive pressure inside the barrel. This can cause severe damage to the pistol and/or injury to the shooter.

SHIPPING INSTRUCTIONS:

PLEASE DO NOT INCLUDE AMMUNITION WITH YOUR FIREARM. IT IS AGAINST THE LAW TO SHIP THESE TWO ITEMS TOGETHER!

When shipping a firearm for service, it must be shipped (prepaid) by a licensed firearm dealer and must include a physical return address. The firearm must be returned to a licensed dealer only. Please include a note stating the problem you are experiencing and a daytime phone number where you can be reached. Do not ship any accessories such as holsters, gun cases or custom grips. Shipping address and phone numbers on inside of back cover.

YOUTH HANDGUN SAFETY ACT NOTICE

- (1) The misuse of handguns is a leading contributor to juvenile violence and fatalities.
- (2) Safely storing and securing firearms away from children will help prevent the unlawful possession of handguns by juveniles, stop accidents, and save lives.
- (3) Federal law prohibits, except in certain limited circumstances, anyone under 18 years of age from knowingly possessing a handgun, or any person from selling, delivering, or otherwise transferring a handgun to a person under 18.
- (4) A knowing violation of the prohibition against selling, delivering, or otherwise transferring a handgun to a person under the age of 18 is, under certain circumstances, punishable by up to 10 years in prison.

FEDERAL LAW

The Gun Control Act of 1968, 18 U.S.C. Chapter 44, provides in pertinent part as follows:

18 U.S.C. 922(x)

- (x)(1) It shall be unlawful for a person to sell, deliver, or otherwise transfer to a person who the transferor knows or has a reasonable cause to believe is a juvenile—
 - (A) a handgun; or
 - (B) ammunition that is suitable for use only in a handgun,
- (2) It shall be unlawful for any person who is a juvenile to knowingly possess—
 - (A) a handgun; or
 - (B) ammunition that is suitable for use only in a handgun.
- (3) This subsection does not apply to—
 - (A) a temporary transfer of a handgun or ammunition to a juvenile or to the possession or use of a handgun or ammunition by a juvenile if the handgun and ammunition are possessed and used by the juvenile—
 - (i) in the course of employment, in the course of ranching or farming related to activities at the residence of the juvenile (or on property used for ranching or farming at which the juvenile, with permission of the property owner or lessee, is performing activities related to the operation of the farm or ranch), target practice, hunting, or a course of instruction in the safe and lawful use of a handgun;
 - (ii) with the prior written consent of the juvenile's parent or guardian who is not prohibited by federal, state,

or local law from possessing a fire arm, except—

- (I) during transportation by the juvenile of an unloaded handgun in a locked container directly from the place of transfer to a place at which an activity described in clause (i) is to take place and transportation by the juvenile of that handgun, unloaded and in a locked container, directly from the place at which such an activity took place to the transferor; or
 - (II) with respect to ranching or farming activities as described in clause (i), a juvenile may possess and use a handgun or ammunition with the prior written approval of the juvenile's parent or legal guardian and at the direction of an adult who is not prohibited by Federal, State or local law from possessing a firearm;
 - (iii) the juvenile has the prior written consent in the juvenile's possession at all times when handgun is in the possession of the juvenile; and
 - (iv) in accordance with State and local law;
- (B) a juvenile who is a member of the Armed Forces of the United States or the National Guard who possesses or is armed with a handgun in the line of duty;
 - (C) a transfer by inheritance of title (but not possession) of a handgun or ammunition to a juvenile; or
 - (D) the possession of a handgun or ammunition by a juvenile taken in defense of the juvenile or other persons against an intruder into the residence of the juvenile or a residence in which the juvenile is an invited guest.
- (4) A handgun or ammunition, the possession of which is transferred to a juvenile in circumstances in which the transferor is not in violation of this subsection shall not be subject to permanent confiscation by the Government if its possession by the juvenile subsequently becomes unlawful because of the conduct of the juvenile, but shall be returned to the lawful owner when such handgun or ammunition is no longer required by the Government for the purposes of investigation or prosecution.
 - (5) for purposes of this subsection, the term "juvenile" means a person who is less than 18 years of age.
 - (6) (A) In a prosecution of a violation of this subsection, the court shall require the presence of a juvenile defendant's parent or legal guardian at all proceedings.
 - (B) The court may use the contempt power to enforce subparagraph (A).
 - (C) The court may excuse attendance of a parent or legal guardian of a juvenile defendant at a proceeding in a prosecution of a violation of this subsection for good cause shown.

18 U.S.C. 924(a)(6)

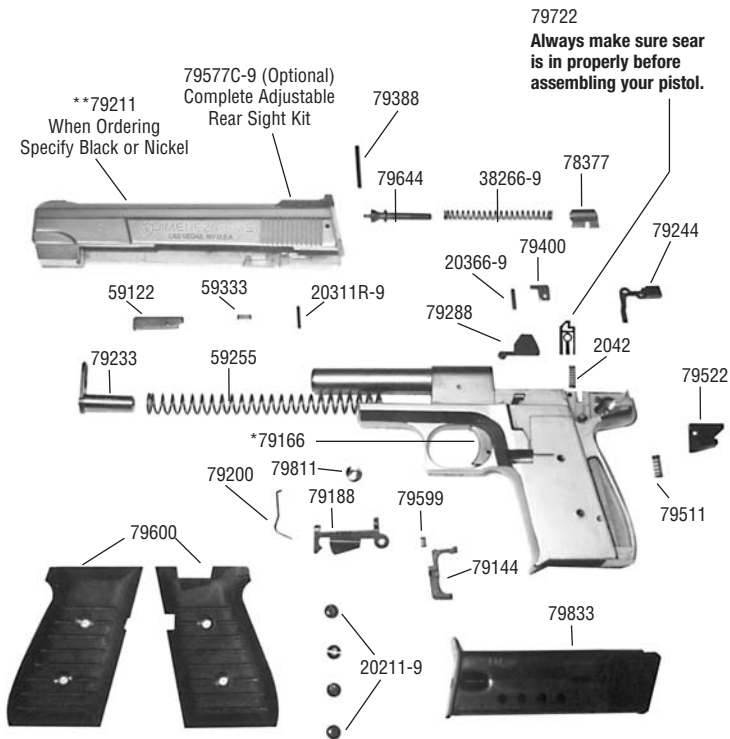
- (6) (A) (i) A juvenile who violates section 922(x) shall be fined under this title, imprisoned not more than 1 year, or both, except that a juvenile described in clause (ii) shall be sentenced to probation on appropriate conditions and shall not be incarcerated unless the juvenile falls to comply with a condition of probation.
- (ii) A juvenile is described in this clause if—
- (I) the offense of which the juvenile is charged is possession of a handgun or ammunition in violation of section 922(x)(2); and
 - (II) the juvenile has not been convicted in any court of an offense (including an offense under section 922(x) or a similar State law, but not including any other offense consisting of conduct that if engage in by an adult would not constitute an offense) or adjudicated as a juvenile delinquent for conduct that if engaged in by an adult would constitute an offense.
- (B) A person other than a juvenile who knowingly violates section 922(x)—
- (i) shall be fined under this title, imprisoned not more than 1 year, or both; and
 - (ii) if the person sold, delivered, or otherwise transferred a handgun or ammunition to a juvenile knowing or having reasonable cause to know that the juvenile intended to carry or otherwise possess or discharge or otherwise use the handgun or ammunition in the commission of a crime of violence, shall be fined under this title, imprisoned not more than 10 years, or both.

If you have any questions, contact:

Bureau of Alcohol, Tobacco and Firearms
650 Massachusetts Avenue, NW
Washington, DC 20226

Phone: (202) 927-7770 or visit website at www.atf.treas.gov





* Factory Installed Only

** With Exchange Only

PART #	DESCRIPTION	PRICE
XXXX	Frame (not available)	N/A
79211**	Slide	40.00
79166*	Trigger Sub-Assembly	10.00
79288	Trigger Disconnector	6.00
79722	Sear	8.00
20455	Sear Spring	2.00
79255	Recoil Spring	4.00
79400	Ejector	5.00
79244	Cam	5.00
20366-9	Cam Pin	2.00
79144	Magazine Release	5.00
79599-9	Mag. Release Spring	2.00
79188	Safety Lever	5.00
79200	Safety Spring	2.00
79811	Spacer	2.00
79522	Disassembly Button	6.00
79511	Disassembly Button Spring	2.00
79600	Grips Pair	10.00
20211-9	Grip Screws Pair	1.00
79644	Firing Pin Assembly	6.00
38266-9	Firing Pin Spring	4.00
79377	Retainer	6.00
79388	Retainer Pin	2.00
79833	Magazine Assembly	26.00
59122	Extractor	5.00
59333-9	Extractor Spring	2.00
20311R-9	Extractor Pin	2.00
79577C-9	Rear Sight Kit	18.00
79711	Instruction Manual	N/C
79233	Spring Guide	8.00

PARTS ORDERING INSTRUCTIONS

Changes in design may occur from time to time, always specify color, model and serial number of your pistol with your order. Please include a \$ 5.00 shipping and handling fee.

Master Card & Visa accepted over the phone with a \$ 10.00 or more purchase

Mail Check or money order payable to:

JIMENEZ ARMS

5550 Reference St. • Las Vegas, NV 89122

For service and part orders call:

(702) 568-5938 or (877) 241-9938

(702) 566-0724 FAX

Business hours are from 7:00 AM to 3:30 PM Pacific Standard Time

Please record your serial number here: _____

STATEMENT OF LIMITED LIFETIME WARRANTY

Your Jimenez Arms pistol is warranted to the original retail customer for life from date of original purchase against defects in material and or workmanship. All parts and labor or replacement, at our opinion, are covered.

Transportation to and from repair facilities, damage caused by failure to perform normal maintenance, sales outside the United States, damage due to the use of high pressure, reloaded or other nonstandard ammunition, or any unauthorized repair, modifications, misuse, abuse, or alteration of the product is not covered by this Limited Warranty.

TO OBTAIN SERVICE UNDER WARRANTY

Send your firearm to us via Priority Mail or UPS along with a photocopy of your proof of retail purchase and freight charges prepaid. Be sure to include a statement as to reason for the return and make sure to include your complete return street address. Ship your product to the following address:

JIMENEZ ARMS
5550 REFERENCE ST.
LAS VEGAS, NV 89122

***For further information concerning shipping through the US mail and United Parcel Service,
call Jimenez Arms toll free at 877-241-9938***