

J. C. Higgins

**BOLT ACTION
SHOTGUN
MODEL 11**

LIST of PARTS and ASSEMBLIES



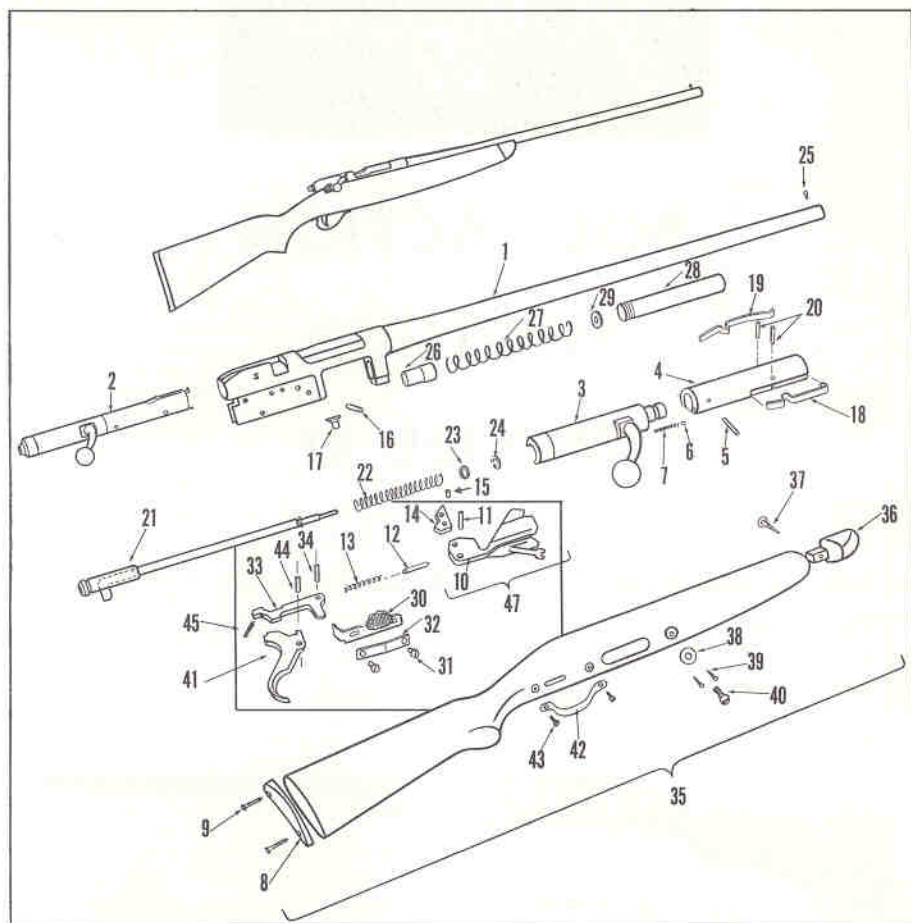
**J. C. Higgins Guns are sold ONLY by Sears, Roebuck and Co.
and Simpsons-Sears Limited**

Printed in U.S.A.

Parts List 992-44
5/57

Parts and Assemblies

583.1100 is the Model Number of your Bolt Action Shotgun. It will be found on the left side of barrel, just forward of receiver. Always mention this Model Number when communicating with us regarding the Bolt Action Shotgun or when ordering parts.



S P E C I F I C A T I O N S

GAUGE	12	16
CHOKE	Full	Full
WEIGHT, LBS.	Mod.	Mod.
LENGTH OF PULL, INCHES	7 $\frac{1}{4}$	7 $\frac{1}{4}$
DROP AT COMB INCHES	13 $\frac{3}{4}$	13 $\frac{3}{4}$
DROP AT HEEL INCHES	1 $\frac{3}{4}$	1 $\frac{3}{4}$
BARREL LENGTH INCHES	27 $\frac{1}{16}$	27 $\frac{1}{16}$
PITCH	28	26
	2"	2 $\frac{1}{8}$ "

List of Parts and Assemblies

WHERE TO ORDER REPAIR PARTS — Any Sears retail or mail order store will handle your order.

REF. NO.	PART NO.	PART NAME	REF. NO.	PART NO.	PART NAME
1	*11000	Barrel — 12 Ga. (Specify Choke)	21	11940	Firing Pin Head Assembly — (12 Ga.)
1	*11010	Barrel — 16 Ga. (Specify Choke)	21	11945	Firing Pin Head Assembly — (16 Ga.)
2	*11860	Bolt Body and Bolt Head Assembly (12 Ga.)	22	11320	Firing Pin Spring — (12 & 16 Ga.)
2	*11865	Bolt Body and Bolt Head Assembly (16 Ga.)	23	11325	Firing Pin Spring Retaining Sleeve (12 & 16 Ga.)
3	*11870	Bolt Handle and Bolt Body Assembly (12 Ga.)	24	11330	Firing Pin Spring Retaining Sleeve Stop Ring — (12 & 16 Ga.)
3	*11875	Bolt Handle and Bolt Body Assembly (16 Ga.)	25	130	Front Sight — (12 & 16 Ga.)
4	*11090	Bolt Head — (12 Ga.)	26	11360	Magazine Follower — (12 Ga.)
4	*11100	Bolt Head — (16 Ga.)	26	11364	Magazine Follower — (16 Ga.)
5	11120	Bolt Head Retaining Pin — (12 Ga.)	27	11370	Magazine Spring — (12 & 16 Ga.)
5	11130	Bolt Head Retaining Pin — (16 Ga.)	28	11380	Magazine Tube — (12 Ga.)
6	11150	Bolt Head Detent — (12 & 16 Ga.)	28	11384	Magazine Tube — (16 Ga.)
7	11155	Bolt Head Detent Spring (12 & 16 Ga.)	29	11390	Magazine Stop Washer — (12 Ga.)
8	620	Butt Plate — (12 & 16 Ga.)	29	11394	Magazine Stop Washer — (16 Ga.)
9	345	Butt Plate Screw — (12 & 16 Ga.)	30	11420	Safety — (12 & 16 Ga.)
47	11890	Cartridge Lifter & Insert Assembly (12 Ga.)	31	11430	Safety Screw — (12 & 16 Ga.)
47	11945	Cartridge Lifter & Insert Assembly (16 Ga.)	32	11435	Safety Spring — (12 & 16 Ga.)
10	11170	Cartridge Lifter — (12 Ga.)	33	11440	Sear — (12 & 16 Ga.)
10	11180	Cartridge Lifter — (16 Ga.)	34	11450	Sear Pin — (12 & 16 Ga.)
11	11200	Cartridge Lifter Pin — (12 & 16 Ga.)	35	11920	Stock Assembly — (12 Ga.)
12	11205	Cartridge Lifter Plunger (12 & 16 Ga.)	35	11925	Stock Assembly — (16 Ga.)
13	11210	Cartridge Lifter Plunger Spring (12 & 16 Ga.)	36	11480	Stock Cap — (12 Ga.)
14	11220	Cartridge Lifter Insert — (12 Ga.)	36	11484	Stock Cap — (16 Ga.)
14	11230	Cartridge Lifter Insert — (16 Ga.)	37	11490	Stock Cap Screw — (12 & 16 Ga.)
15	11215	Cartridge Lifter Insert Assembly Pin (12 & 16 Ga.)	38	11500	Takedown Escutcheon (12 & 16 Ga.)
16	11200	Cartridge Lifter Stop Pin (12 & 16 Ga.)	39	11505	Takedown Escutcheon Pin (12 & 16 Ga.)
17	*11250	Ejector — (12 & 16 Ga.)	40	11510	Takedown Screw — (12 & 16 Ga.)
18	11270	Extractor R.H. — (12 & 16 Ga.)	41	11520	Trigger — (12 & 16 Ga.)
19	11280	Extractor L.H. — (12 & 16 Ga.)	42	11530	Trigger Guard — (12 & 16 Ga.)
20	11290	Extractor Retaining Pin (12 & 16 Ga.)	43	11535	Trigger Guard Screw (12 & 16 Ga.)
			44	11450	Trigger Pin (12 & 16 Ga.)
			45	11540	Trigger Spring (12 & 16 Ga.)
				992-44	Parts List

All parts identified with an asterisk (*) must be fitted to the gun by gunsmiths in the Sears mail order houses, or by qualified gunsmiths.

BOLT-ACTION SHOTGUN

This is the lowest priced 3-shot repeater available, yet it has many expensive-gun features! The J. C. Higgins Model 11 is a safe and accurate gun with a fast action bolt. It loads from beneath into a smooth tubular magazine, which means smooth loading with *no* clip to lose!

Anyone would be proud to own a shotgun like the Model 11. This handsome J. C. Higgins model has a beautifully grained one-piece walnut stock, an easy-to-hold pistol grip, and a precision-machined trigger mechanism for a smooth creep-free pull. The receiver is fine alloy steel to withstand high breech pressure. An independent safety slides close to receiver for greatest possible protection. The barrel of high tensile strength steel has been proof-tested to insure safe use even with maximum loads. There is a non-glare metal bead front sight for fast, accurate aiming.

IMPORTANT:—Before firing this gun be sure to clean the inside of barrel thoroughly of grease and any obstructions.

CLEANING & LUBRICATING

Your Model 11 is treated with new siliconized and polarized oil. This exclusive patented process gets down into the pores of the steel and protects against perspiration and other corrosive elements which cause rust. This oil makes J. C. Higgins guns the most rust resistant of any guns you can buy. It gives the best lubrication of any oil tested. And it protects and beautifies stock and forearm.

Exclusive use of J. C. Higgins ammunition practically eliminates any need for barrel cleaning. Should powder residue or any dirt accumulate in the barrel, however, it can be easily removed. Remove the bolt by rotating the bolt handle upwards and then pulling it back. With the heel of the stock resting on the floor, hold the gun barrel near the muzzle with the left hand. Push a brass cleaning brush soaked in solvent through the muzzle end of the barrel, and work it up and down through the entire length of the bore. Follow this by wiping the bore with clean patches until the last one comes out unsoiled. A light protective film of oil may be applied with a patch if desired.

A J. C. Higgins Shotgun Cleaning Kit (available at any Sears' Store or from the catalogue) includes all of these necessary items for easy cleaning of your shotgun. A "once-over-lightly" with a J. C. Higgins Silicone Cloth will completely protect outside surfaces of the gun from any rust due to finger prints or moisture, also.

Periodically, dirt and fouling should be removed from the bolt, extractors, and other operating parts. This should be done with a tooth brush soaked in nitro solvent (included in J. C. Higgins Cleaning Kits). Following this, these parts should be wiped dry and oiled lightly.

OPERATING INSTRUCTIONS

TO MAKE GUN SAFE: Push safety button (right side of receiver) forward until "pointer" is directly under "S" on receiver. This movement of safety locks trigger, and gun can not be fired. Always lock this safety when carrying gun loaded.

TO DISASSEMBLE BOLT FROM RECEIVER: J. C. Higgins Model 11 is shipped with bolt assembled in receiver. To disassemble bolt from gun, remove stock, push cartridge lifter stop pin out of receiver, (see exploded view for correct pin) and pull down cartridge lifter. The bolt can now be pulled rearward out of receiver.

TO LOAD MAGAZINE: Rotate bolt handle upward, then pull bolt handle back until carrier is in upward position. Turn gun upside down. Insert shells into magazine which holds two shells. To load third shell, turn gun to shooting position, insert front end of shell in ejection port and slide forward until it drops into carrier.

TO LOAD CHAMBER: With safety button on "safe" position and loaded shell in carrier, push bolt handle forward and lock bolt. Gun is now loaded and ready to fire.

TO RELEASE SAFETY: When ready to fire, move safety button to full rear position.

TO REPEAT: Rotate bolt handle upward and pull to rear. This extracts fired shell from barrel. Push bolt handle forward and downward, locking bolt. Gun is ready to fire.

TO ASSEMBLE STOCK: To assemble stock with action, fit action in stock and push to full rearward position. Tighten take screw in stock into the receiver. To take-down this shotgun, unscrew takedown screw, grasp the barrel, and lift upward disengaging it from the stock.

It is advisable to check this takedown screw after heavy firing to make sure it is always tightly assembled.