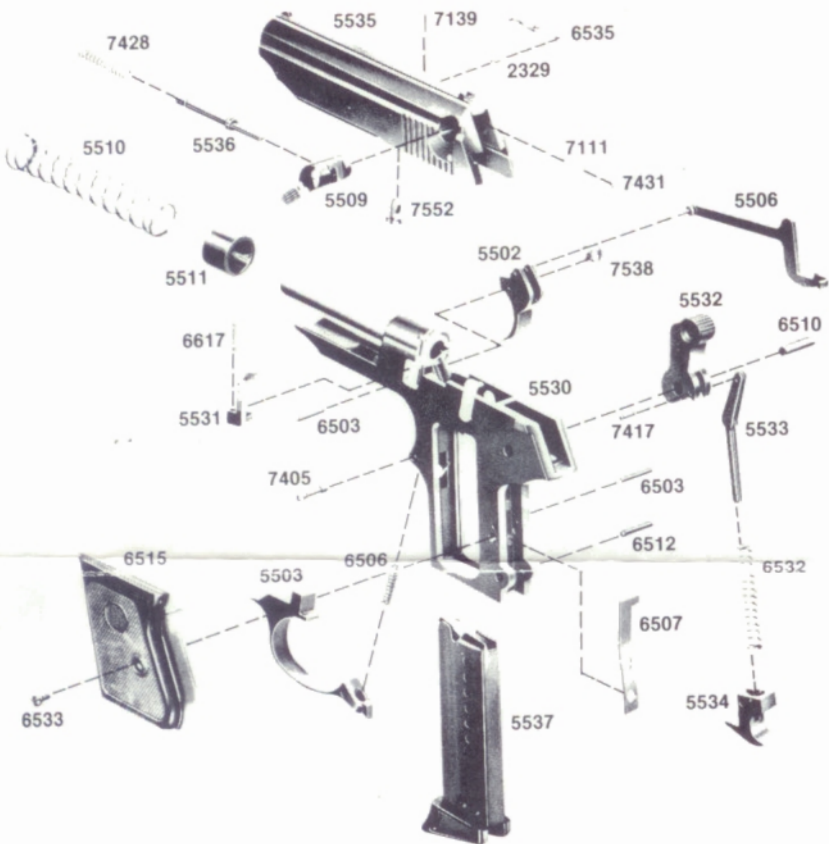


TP .22 DOUBLE ACTION PISTOL



2202 Redmond Rd.
Jacksonville, Arkansas 72076



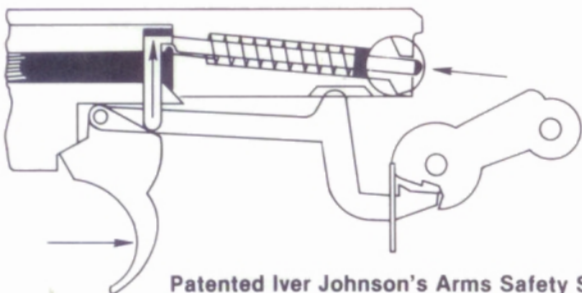
Technical data:

Caliber:	.22 long rifle
Overall length:	137mm/5.39 in
Height:	100mm/3.94 in
Width:	23mm/.91 in
Barrel length:	72.5mm/2.85 in
Weight:	406g/14.34 oz.
Magazine capacity:	7 cartridges

PLEASE: Always state the spare parts and component number in your order.

Part No.	Spare Parts	Part No.	Spare Parts
5530	Frame .22 Cal.	7538	Trigger bar spring
5531	Firing pin stop	6515	Pair of grip plates
6617	Spring	6533	Grip plate screw
5502	Trigger	5535	Slide .22 Cal.
6503	Cylindrical pin	6535	Extractor
5503	Trigger guard	2329	Spring
6506	Spring	7139	Cylindrical pin
7405	Trigger guard pin	5536	Firing pin .22 Cal.
6507	Sear	7552	Firing pin plug .22 Cal.
5532	Hammer	7428	Firing pin spring
5533	Main spring guide rod	5509	Safety lever
7417	Cylindrical pin	7431	Steel ball
6510	Hammer pin	7111	Spring
6532	Main spring	5537	Magazine .22 Cal.
5534	Magazine catch	5510	Recoil spring .22 Cal.
6512	Cylindrical pin	5511	Sear spring plunger
5506	Trigger bar		

AMMUNITION:
 Caliber: .22 L.R.
 Full jacket ammunition



Patented Iver Johnson's Arms Safety System:

- Trigger actuated lever blocks the firing pin at all times except when the trigger is fully retracted under deliberate firing conditions.
- This is the most advanced safety mechanism to be offered on any automatic pistol regardless of cost.

1. Instruction for use of .22 cal. double action selfloading pistol.

After inserting the filled magazine cock the pistol with the safety on (red dot must not be visible) by pulling back the slide.

The hammer is now cocked and the weapon is ready to fire. With the loaded pistol (cartridge in the barrel) and with uncocked hammer and disengaged safety, the weapon can be fired by pulling the trigger. (Double action).

2. Disassembling and cleaning

Put the pistol in safety position (safety lever rests on red point) and **remove the magazine**. To assure there is no round in the chamber pull slide backward. Pull trigger guard downwards and hold it. Pull the slide all the way back and lift it slightly upwards and slip it off forward.

The pistol is now disassembled in three main components and can be easily cleaned and lubricated. Any further disassembling is not necessary and should be carried out only by a skilled craftsman. Re-assembling of the pistol should be performed in reverse order. However, there should be observed that the narrow end of the recoil spring comes to rest on the barrel. To avoid malfunctions make sure that pistol will be cleaned after each shooting.

3. Precautions

Always carry the pistol uncocked and with the safety applied on. Never point the pistol at anything you don't intend to shoot, even knowing the pistol is unloaded.

For Information Call

**IVER
JOHNSON**



501 / 982-9491

2202 Redmond Rd.

Jacksonville, Arkansas 72076