



**HECKLER & KOCH**

---

**NO COMPROMISE**

---

**USP SERIES**  
**OPERATORS MANUAL**

# HK USP, USP Compact Pistol & USP Specialty Pistols Operators Manual (Includes LEM)



USP: 9mm, .357 SIG, .40 S&W & .45 ACP  
USP Compact: 9mm, .357 SIG, .40 S&W & .45 ACP  
Expert: .45 ACP  
Elite: .45 ACP  
Tactical: .40 S&W & .45 ACP  
Compact Tactical: .45 ACP

---

## WARNING

A firearm has the capability of taking your life or the life of someone else!  
Be extremely careful with your firearm. An accident can occur at anytime  
and is almost always the result of not following basic safety rules.

---



**HECKLER & KOCH**

© Heckler & Koch, Inc., 11/99 (revised January 2007)

All rights reserved

Heckler & Koch

7661 Commerce Lane

Trussville, Alabama USA

Telephone (205) 655-8299

[www.hk-usa.com](http://www.hk-usa.com)

Specifications and models subject to change without notice.

---

## SAFETY RULES

---

**Please read this operators manual before handling your firearm. The following safety rules are placed in this manual by Heckler & Koch Inc. as an important reminder that firearms safety is your responsibility. Firearms can be dangerous and can potentially cause serious injury, damage to property or death if handled improperly.**

---

1. Never point a firearm at anyone, or in any direction other than a SAFE direction, i.e. downrange.
2. Treat all firearms as if they are always loaded.
3. Keep your finger off the trigger and outside of the trigger guard until your sights are aligned on the target and you are ready to fire.
4. Keep your finger off the trigger and outside of the trigger guard while loading or unloading the firearm.
5. Keep your finger off the trigger and outside of the trigger guard while pulling the firearm out of the holster or while returning it to the holster.
6. Be sure of your target and the back stop beyond.
7. Never give a firearm to or take a firearm from anyone unless the action is open and the magazine and/or chamber are free of any ammunition or brass.
8. Be sure that the ammunition you are using is factory loaded, is of the correct caliber for the firearm in which it is to be used, and that it is not damaged in any way.
9. Before firing, remove the magazine from the firearm, lock the action open, make sure the chamber is clear of any ammunition or brass, and check the barrel of the **unloaded** firearm for any possible obstructions.
10. Before firing any firearm that is unfamiliar to you, make sure that you understand exactly how it functions. A lack of familiarity with the firearm can result in serious accidents. Attend a certified training course on any firearm which you intend to use or with which you are not sufficiently familiar.
11. Always wear hearing and eye protection when using your firearm.
12. Keep all body parts, especially hands and fingers, away from the muzzle to avoid injury or burns.
13. Be sure that no part of either hand touches or interferes with the slide. The slide is moved backwards by the recoil force of the pistol during firing and may cause serious injury.
14. Firearms should be stored separately from ammunition and beyond the reach of children, and/or any untrained individuals.
15. Avoid the use of any alcoholic beverages or drugs before and during the use of any firearm.
16. Discharging firearms in poorly ventilated areas, cleaning firearms, or handling ammunition may result in exposure to lead, a substance known to be associated with birth defects, reproductive harm, and other serious injury. Have adequate ventilation at all times. Wash hands thoroughly after exposure.

**STOP! Know how to clear this pistol before attempting to operate.**

**Clearing the Pistol** - The HK Pistol is not considered "clear" or safe unless:

1. The magazine is removed from the pistol and;
2. The slide is locked to the rear and;
3. The chamber is free of brass or ammunition

**To Clear the HK Pistol:**

1. **Make sure fingers are outside of the trigger guard and the pistol is pointed in a safe direction at all times!**
2. **Remove magazine** - depress the magazine release lever and remove the magazine from the pistol.
3. **Open and lock slide - while pointing the pistol in a safe direction**, lock the slide open by pulling the slide rearward as you press the slide release upward. Watch for a cartridge or empty case to be ejected from the pistol.
4. **Inspect chamber** - inspect the chamber for the presence of a cartridge or empty case by:
  - Visually viewing chamber through open ejection port and;
  - Physically inserting finger into chamber through the ejection port to check for the presence of a cartridge or empty case.

Remove any cartridges or empty cases from the chamber or from within the pistol.

**The HK Pistol is now considered "Clear".**

## TABLE OF CONTENTS

Section 1	Introduction .....	6		
Section 2	Nomenclature .....	8		
	Specifications .....	9		
Section 3	Function and Operation .....	9		
	Clearing .....	9		
	Operating Controls and Components .....	10		
	Sights and Sight Adjustment .....	11		
Section 4	Ammunition .....	12		
Section 5	Instructions for Use .....	13		
	Filling and Emptying the Magazine .....	13		
	Loading .....	13-14		
	Firing .....	15		
	Unloading .....	17		
	Selection and Use of a Holster .....	17		
	Storage and Transport .....	17-18		
Section 6	Disassembly and Assembly .....	18		
Section 7	Cleaning and Maintenance .....	25		
	Inspection .....	26		
	Lubrication .....	26-27		
	Troubleshooting Problems and Repair .....	27		
	HK Lock-Out Device .....	28		
	Hammer and Catch Notification .....	29		
Section 8	USP Series Pistols .....	30		
	Exploded View – USP Compact (LEM – .45 ACP) .....	30		
	Parts List – USP Compact (LEM – .45 ACP) .....	31		
	Exploded View – USP Compact (Non LEM – .40 S&W, .357 SIG, 9mm) .....	32		
	Parts List – USP Compact (Non LEM – .40 S&W, .357 SIG, 9mm) .....	33		
	Exploded View – USP (Non LEM – .40 S&W, 9mm) .....	34		
	Parts List – USP (Non LEM – .40 S&W, 9mm) .....	35		
	Exploded View – USP 45 (Non LEM – .45 ACP) .....	36		
	Parts List – USP 45 (Non LEM – .45 ACP) .....	37		
	Exploded View – USP Compact (.45 ACP) .....	38		
	Parts List – USP Compact (.45 ACP) .....	39		
Section 9	USP Tactical - .40 S&W and .45 ACP .....	40		
	Specification .....	42		
	Parts List .....	43		
Section 10	USP Expert .....	44		
	Specification .....	46		
	Parts List .....	47		
Section 11	USP Elite .....	48		
	Specification .....	51		
Section 12	Firearms Service Record .....	52		



## SECTION 1 INTRODUCTION

The USP Pistol received with this manual is fitted with either a special Double-Action Only (DAO) trigger mechanism designated the "Law Enforcement Modification" (LEM) or a standard double-action/single-action (DA/SA) trigger. The remaining pages of this manual concern information common to all USP pistol models. Please carefully review this preface and the main body of this operators manual before handling the firearm.

The USP control lever has a positive stop and returns to the "fire" position after decocking. The control lever, featured on many variants of the USP and USP Compact allows these pistols to be safely carried "cocked and locked".

The polymer frame of the USP Compact was designed using technical experience gained by HK engineers in the development of the world's first composite material pistols, the HK VP70Z and P9S. These same high-strength/corrosion free materials are used in the MK 23 handgun made by HKI for the U.S. Special Operations Command.

Major metal components like the one-piece, machined steel slide are also corrosion resistant, treated with a special "HE" (Hostile Environment) protective finish. The HE finish is an extremely hard, nitro-gas carburized black oxide coating, and resists even the worst types of corrosion and wear, including exposure to salt water.

The USP Compact pistol is presently available in calibers .45 ACP, .40 S&W, .357 SIG, and 9mm. The design characteristics of all USPs provide a wide range of flexibility for users.

All USPs can also be converted from one type of trigger/firing mode to another. This includes combination double-action and single-action (DA/SA) modes and double action only (DA-Only) modes. By using a modular approach to the internal components, the control lever function of all USPs can be switched from the left to the right side of the pistol for left-handed shooters.

**Note: Trigger/firing mode conversion can only be made by an HKI certified armorer.**

Due to the USP's innovative design approach, it is possible to convert a USP series Pistol into one of many variants. Changing the trigger/firing mode of the pistol is accomplished by installing a different set of components.

This unique design allows the USP Series Pistol to be configured for a variety of purposes depending on the requirements of the user, without having to purchase a new pistol. Please contact HKI for more information on variant changes.

In addition to a wide selection of trigger/firing modes, all USP Pistols have an ambidextrous magazine release lever which is shielded from inadvertent actuation by the flared trigger guard. The magazine release lever can be pressed with the thumb or index finger of the firing hand, in most cases without adjusting the firing grip.

Low profile 3-dot sights, adjustable for windage and elevation, are standard on USP Pistols. Optional tritium sights are also available.

The USP Compact Pistol uses metal magazines to keep grip size to a minimum. These magazines have a series of viewing holes on the back side for counting the cartridges remaining inside.

Two different interchangeable floorplates are available for the magazines of the USP Compact Pistol. A standard flat floorplate and an extended magazine floorplate with a finger extension provide a choice of grip options with each pistol. Magazine floorplates can be easily removed and changed without tools during disassembly.

The extended slide release is positioned to allow easy actuation without adjustment of the grip of the shooting hand. Another useful feature is the absence of a magazine lock-out device.

**CAUTION: USP models, except special models with a magazine disconnect feature installed, will fire if the magazine is removed, a cartridge is in the chamber, and the trigger is pressed (with the control lever in the FIRE position if applicable).**

To reduce barrel wear, most USP Pistols have polygonal cold hammer-forged barrels. This feature not only ensures longer barrel life and easier bore cleaning, but produces a better gas seal behind the bullet for increased muzzle velocity.

The USP Pistols are extremely safe firearms, with no less than four safety features, some passive and some active in nature. Simple to field strip and maintain, the USP Pistol is a reliable and trouble-free pistol.

An abbreviated set of universal mounting grooves for installing accessories is molded in the polymer frame of the USP Compact. These grooves allow a variety of accessories and targeting devices to be mounted on the USP Pistols without modification to the pistol.

**NOTE: Beginning in 1999, all USP pistols, with the exception of some special order production runs are fitted with HK's patented internal Lock-Out Device. The use of this internal safety lock is described beginning on page 28.**

**NOTE: Improperly designed or installed accessories may result in damage to the USP mounting grooves and/or the USP Compact pistol. Such damage is not covered under the limited lifetime warranty. Be certain to use only HKI Authorized Accessories and follow installation and precautions carefully.**

## SECTION 2 NOMENCLATURE USP COMPACT-LEM PISTOL

Figure 1

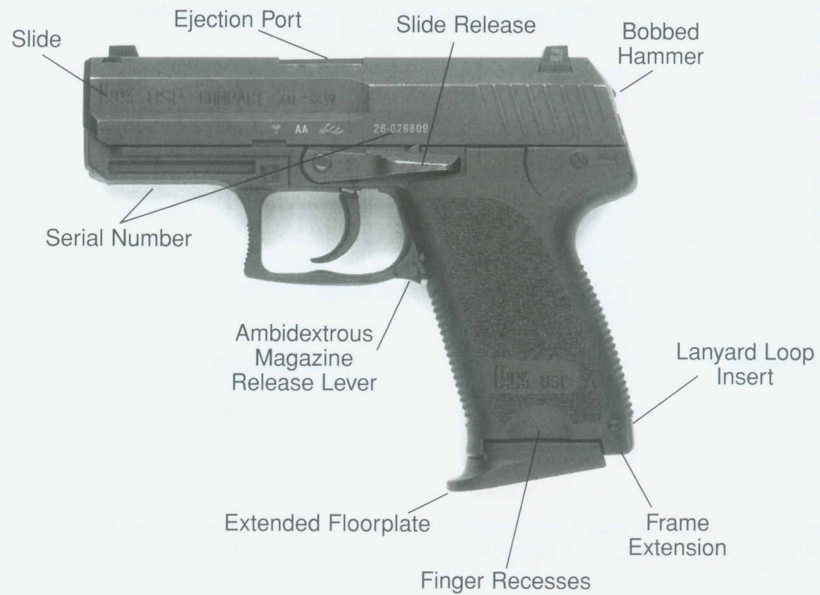
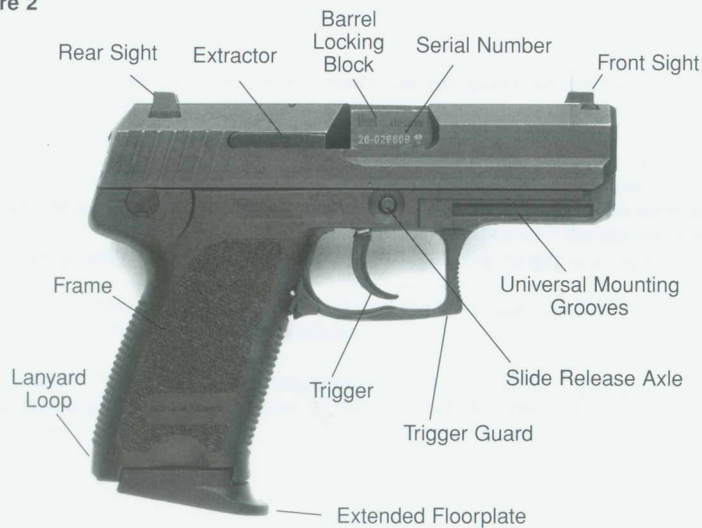


Figure 2



## USP COMPACT – LEM PISTOL SPECIFICATIONS

Caliber	.40 S&W / 9mm / .357 SIG
Operating Principle	Short recoil
Action Type	Modified Browning type, linkless
Sights	Fixed patridge style, adjustable for windage & elevation, standard 3-dot or optional tritium
Total Length	173 mm (6.81 in.)
Barrel Length	91 mm (3.58 in.)
Sight Radius	136 mm (5.35 in.)
Twist Length	378 mm (14.88 in.)
Height without magazine	127mm (5.00 in.)
Width of Slide	29 mm (1.14 in.)
Width of Frame	32 mm (1.27 in.)
Weight (with empty 12-round magazine)	790 grams (27.86 oz.)
Weight of empty 12-round magazine	85.5 grams (3.02 oz.)
Slide Force (to retract slide)	8.5 kg (18.74 pounds)
Trigger Pull (Law Enforcement Modification)	3.40-3.86 kg (7.5-8.5 pounds)
Trigger Travel Double-action (rest to hammer release)	20.8 mm (.82 in.)
Trigger Reach Double-action (center of trigger to back of frame)	72 mm (2.84 in.)
Trigger Reset (hammer & sear reset)	6.37 mm (.25 in.)
Magazine Capacity (does not include cartridge in chamber)	12 cartridges (.40 S&W and .357 SIG)13 cartridges(9mm)
Safety Features	Double-action mode with hammer intercept notch, Firing pin block, Disconnecter

\* Specifications and models subject to change without notice.

## SECTION 3 FUNCTION AND OPERATION

**WARNING: Always clear the pistol before handling it.**

**Clearing the Pistol** The USP pistol is not considered “clear” or safe unless:

1. The magazine is removed from the pistol and;
2. The slide is locked to the rear and;
3. The chamber is free of brass or ammunition

**The USP Double-Action Pistol (LEM) is now considered “Clear”.**

**To Clear the USP Pistol with LEM parts:**

1. **Make sure fingers are outside of the trigger guard and the pistol is pointed in a safe direction at all times!**
2. **Remove magazine** - depress the magazine release lever and remove the magazine from the pistol.
3. **Open and lock slide** - while pointing the pistol in a safe direction lock the slide open by pulling the slide rearward as you press the slide release upward. Watch for a cartridge or empty case to be ejected from the pistol.
4. **Inspect chamber** - inspect chamber for the presence of a cartridge or empty case by:
  - Visually view the chamber through open ejection port and;
  - Physically insert finger into the chamber through the ejection port to check for the presence of a cartridge or empty case.

Remove any cartridges or empty cases from the chamber or from within the pistol.

**The USP Pistol with LEM parts is now considered “Clear”.**



**General** - The USP Pistols are short recoil operated. They use a modified Browning style system, without a link, to lock and unlock the barrel.

Upon firing, the pressure developed by the propellant gases forces the slide and barrel assembly to the rear. After moving approximately 3 mm, the locking block will stop the rearward movement of the barrel. The barrel is pulled downward due to the engagement of the angled locking surfaces of the locking block with those located on the end of the recoil spring guide rod. The locking block disengages from the slide and the slide continues rearward independently from the barrel. The extractor, located on the right side of the slide extracts the spent case. The ejector, positioned in the left side of the frame, rearward of the magazine well then ejects the fired cartridge case. The rearward moving slide then cocks the hammer, and compresses the recoil spring.

Once fully to the rear, the compressed recoil spring pushes the slide forward, stripping the next cartridge from the magazine into the chamber. If the magazine is empty, the magazine follower lifts the slide release into position where it can stop the forward progress of the slide and holds the slide open.

**WARNING: Do not rely on the slide position to determine if the magazine is empty. Always check visually and physically ensure the pistol is not loaded.**

During the last 3 mm of forward movement, the slide forces the angled surfaces of the barrel locking block against opposing angled surfaces on the recoil spring guide rod. This action pivots the locking block on the barrel up into engagement with the ejection port on the slide. The breech is now locked closed and the next shot can be fired.

**CAUTION: A pair of Universal Mounting Grooves located on the front of the USP's frame allows for a variety of accessories to be used with the pistol. Improperly designed or installed accessories may result in damage to the mounting grooves and/or the pistol. Such damage is not covered under warranty. Be certain to use only HKI authorized accessories and follow installation and precautions carefully.**

## OPERATING CONTROLS & COMPONENTS

**WARNING: The USP Series Pistol fitted with LEM parts incorporates double-action only mode of operation. Anytime the trigger is pulled with a cartridge in the chamber, the pistol will fire from the hammer down position.**

**In the double-action only mode**, the hammer always returns to the uncocked (forward) position after each shot. All shots are fired in the double-action mode.

**Magazine** - USP Series Compact magazines are constructed of metal with polymer floor plates, followers, and locking plate pieces. Cartridges are positioned within the magazine in a staggered arrangement but are fed into the pistol from a single row under the feed lips. The cartridges are visible through the numbered viewing holes located in the back of the magazine. For maintenance and cleaning, USP Series magazines can be easily disassembled.

**Extractor** - The extractor of the USP Series pistol acts as a loaded chamber indicator. When a cartridge is in the chamber, the red colored forward edge of the extractor protrudes approximately 1 mm from the slide and is visible to the operator.

**Slide Release** - This lever is located on the left side of the frame directly above the trigger. This lever is used to lock the slide open, to release the slide, and to disassemble the pistol.

As a slide stop, it is lifted upward by the magazine follower or the operators finger as the slide travels rearward during recoil or manual manipulation. The slide release engages in the recess located on the left side of the slide at its midpoint. The slide release is spring actuated and is held down out of engagement with the slide until required. The slide release will automatically hold the slide open when the last shot is fired. As a disassembly lever, the slide release is removed from the left side of the frame when the slide is held partially rearward.

**Magazine Release Lever** - This ambidextrous, spring actuated lever holds the magazine in place within the grip by engaging in the notch found on the front of the magazine housing. Depressing this lever downward with the firing index finger or thumb will allow the magazine, regardless of the number of cartridges inside, to drop free of the frame. The magazine release lever is shielded from accidental actuation by the design of the polymer frame and flared trigger guard surrounding it.

**Frame** - All sides of the polymer frame are textured to ensure a firm grip, even with wet hands or under conditions of rapid fire.

The trigger guard is slightly recurved and grooved to provide a firm grip when using two hands or gloves to fire the pistol. The frame is a one-piece molded component with metal inserts (locking insert and guiding part) cast into the frame during production.

The slide rides on these metal inserts during operation. The frame contains mounting grooves for accessory attachment and finger recesses located to the left and right of the magazine well for manual extraction of the magazine, if necessary. The serial number of the pistol is engraved in the metal insert incorporated into the front of the frame in front of the trigger guard, on the left side of the slide, and on the barrel locking block.

**Sights** - The USP Series Pistol uses the proven 3-dot sighting arrangement. By aligning all three dots horizontally on the target, with the front sight dot centered between the rear sight dots, the operator can quickly and easily engage the target with a high degree of accuracy. With the optional tritium sights with white outline installed, precise and rapid target engagements are possible under low light conditions as well.

The rear sight can be adjusted for windage by drifting the sight to the left or to the right, depending on the desired shot placement. Bullet impact on target will move in the same direction that the rear sight is moved. Be careful not to damage the slide finish when adjusting the rear sight.

Adjustments for elevation are accomplished by exchanging the front sight with a higher or lower sight. The height of the front sight is indicated on the underside. The front sight must be removed by using a drift punch or a USP sight pusher. The accessory sight pusher can be used to install, remove, and adjust the front and rear sights on all USP Series Pistols.

To raise the bullet impact on target, a shorter front sight is installed. To lower the bullet impact on target, a taller front sight is installed. Installing the next higher or lower front sight will change the point-of-impact 2 inches at 25 meters, depending on the ammunition used. USP Series Pistols are function fired and zeroed at the factory at 25 meters, point-of-aim, point-of-impact. Your actual zero may vary depending on the ammunition used and/or your style of shooting.



## SECTION 4 AMMUNITION

**WARNING:** HKI specifically disclaims any responsibilities for any damage or injury that should occur because of, or as a result of, the use of faulty, remanufactured, or reloaded (hand loaded) ammunition, or of cartridges other than those for which the pistol was originally chambered.

The USP Series Pistol is designed to fire quality, factory loaded ammunition loaded to SAAMI specifications for use specifically in handguns. For use with ammunition with hard primers (i.e. some NATO spec. cartridges), a special hammer spring is available.

The following guidelines should be considered when selecting the correct ammunition for your pistol.

1. Be sure the ammunition you have chosen is compatible with your pistol – proper caliber, cartridge, bullet weight, etc. Caliber markings on the USP Pistol appear on the left side of the slide and on the barrel locking block, visible through the ejection port on the right side of the slide.
2. Prior to loading the magazine and chamber, carefully inspect all cartridges for the following abnormalities:
  - Cracked, split, dirty or corroded cases
  - Improperly seated projectiles and/or primers
  - Damaged projectiles
3. Do not attempt to fire a cartridge in which the projectile has been forced back into the case. Upon firing, this condition may result in increased chamber pressure above safe limits.
4. Do not fire ammunition through the pistol that:
  - Is foreign and/or outdated military surplus
  - Is assembled with corrosive primer and/or propellant
  - Is exposed to oil, grease, water, or direct sunlight. Remove contaminants if possible before use and cool down ammunition exposed to direct sunlight or heat. (Exposure to sources of heat could raise the chamber pressure of the cartridge above safe limits.)
  - Is loaded specifically for use in submachine guns.

**CAUTION:** HKI firearms are designed to function with quality manufactured brass cased ammunition. Use of steel or aluminum cased cartridges is not recommended and could adversely affect safe and reliable functioning. For further information on ammunition selection, contact HKI Customer Service at 205-655-8299

**NOTE:** In compliance with NIJ Standard—0112.00, currently there are no known ammunition types that meet the general guidelines set forth in this section that are not compatible with the USP series pistols. All USP's are approved for use with +P and +P+ ammunition as it applies to the specific caliber. The use of +P and +P+ ammunition accelerates wear and reduces the service life on the component parts of any pistol, including the USP series pistols.

**NOTE:** There is currently no existing SAAMI specification +P or +P+ ammunition in caliber .40 S&W.

**WARNING:** The use of incorrect ammunition in the pistol could result in damage to the pistol and/or injury to the operator or bystanders. Be careful not to inadvertently mix 9mm and .40 caliber ammunition. 9mm ammunition will slide past the chamber and into the barrel in a .40 caliber pistol causing a barrel obstruction resulting in damage to the pistol and/or personal injury.

## SECTION 5 INSTRUCTIONS FOR USE

### Filling and Emptying the Magazine -

**NOTE:** Do not attempt to load more than the prescribed number of cartridges into the magazine. Do not alter the shape of the magazine housing, follower, or spring. To do so may cause stoppages or the magazine may not seat properly in the pistol.

Filling the Magazine - (See Figure 1 below)

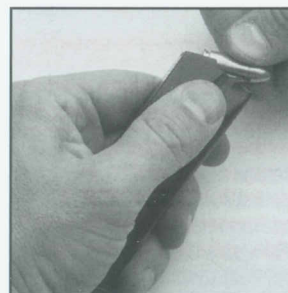


Figure 1

1. Hold the magazine in the non-firing hand with the back side of the magazine resting against the palm.
2. Using the firing hand, hold a cartridge between the index finger and thumb with the projectile facing the palm.
3. Press the rim of the cartridge down against the forward edge of the magazine follower **or** on the top cartridge already in the magazine.
4. Slide the cartridge back into the magazine under the feed lips.
5. Repeat steps 1-4 until the magazine is full. The viewing holes in the back of the magazine allow the operator to confirm the number of cartridges present within the magazine.

**NOTE:** An optional magazine loading tool is available from HKI.

**Emptying the Magazine -** Exert pressure with a finger on the base of the cartridge and push each cartridge forward out of the magazine one at a time until the magazine is empty.

### Loading the Pistol -

**WARNING:** Forcefully inserting a loaded magazine into the USP Pistol may cause the pistols slide to close, chambering a cartridge and making the USP ready to fire. When inserting a magazine, always be certain the control lever (if applicable), is in the "SAFE" position and that the pistol is pointed in a safe direction with your fingers off the trigger and outside the trigger guard. Failure to do so could cause you to unintentionally fire the pistol, resulting in serious injury or death.



**Administrative Loading** - used to initially load the pistol before it is to be fired.

Slide rearward or forward, chamber empty

1. **Make sure fingers are outside of the trigger guard and the pistol is pointed in a safe direction at all times!**
2. **Insert magazine** - insert the magazine firmly into the frame. Tug on the magazine to insure that it is fully seated and engaged.
3. **Chamber a cartridge** - chamber a cartridge by depressing the slide release or by pulling the slide fully to the rear and releasing it. **Do not ride the slide forward!**
4. **Top off** - remove the magazine and top it off by inserting one additional cartridge.
5. **Replace Magazine** - after topping off the magazine, replace it in the pistol and ensure that it is properly seated and engaged.

**WARNING:** Any attempt to lower the hammer manually (with a round in the chamber), will allow the hammer to be lowered past the half-cock notch and bypasses the passive safeties which are built into the USP and could result in an accidental discharge and subsequent property damage, injury or loss of life.

On DA/SA models without the decocking function in the control lever, it is unsafe to lower the hammer while there is a round in the chamber.

On Variant 9 and 10 pistols, to lower the hammer on an empty chamber, the following steps must be followed with extreme care. remember: lowering the hammer manually on the USP pistol requires pulling the trigger. The action of pulling the trigger bypasses the passive safeties which are built into the USP. If there is a round in the chamber when the hammer is being lowered manually, and if the hammer slips, the gun could discharge causing possible subsequent property damage, injury or loss of life.

1. Point the pistol in a safe direction and put the manual safety in the "on" or "safe" position by moving the control lever fully upward.
2. Remove the magazine.
3. While keeping your finger off of the trigger and outside of the trigger guard draw the slide to the rear and push the slide stop up to lock the slide in the open position. Inspect the chamber visually and manually to ensure that there is no round in the chamber.
4. Release the slide by pressing down on the slide stop.
5. Disengage the manual safety by moving the control lever downward to the "fire" position.
6. Hold the pistol firmly in one hand as if you were going to discharge the firearm. Using the thumb of the hand which is not holding the pistol, draw the hammer slightly to the rear. Using the index finger of the hand which is holding the pistol, pull the trigger to the rear.

Lower the hammer SLOWLY, while at the same time releasing the trigger, removing your finger from the trigger and placing it outside of the trigger guard. Continue to lower the hammer SLOWLY until it has come to a complete rest against the back of the slide.

**Draw the hammer back slightly until it comes to rest at the half cock notch position.**

**Firing the Pistol -**

**WARNING**

1. Be sure of your target and what's behind it! A bullet from a pistol travels as far as a mile. It can easily penetrate wood or plasterboard walls or even a car door.

2. Be sure that your hands and all parts of your body are kept away from the muzzle of your pistol at all times!

3. Always wear eye and ear protection when firing the pistol.

**Double-action only mode** - (Hammer uncocked)

1. **Aim** - aim at the target.
2. **Fire** - fire the pistol by pressing the trigger straight the rear with gradually increasing pressure.

**NOTE:** Variant 7 and LEMs, the double-action only models of the HK USP Compact do not have control levers. The hammer of these variants will automatically return to the uncocked position each time the slide returns to its forward position.

**The Law Enforcement Modification -**

The Law Enforcement Modification (LEM) is a series of unique trigger mechanism parts created specifically to improve the quality and reduce the weight of the Double-Action Only trigger pull in the USP Pistol. With these parts installed the USP pistol can be fired like the standard DAO USP pistol where every round is fired by simply pulling the trigger fully rearward with the hammer starting at the forward rest position. There are no external decocking or safety levers present or required.

Due to the design of the proprietary HK LEM system the weight of the DAO trigger pull has been reduced to 7.5-8.5 pounds when new and is easier to use due to the smoothness of the trigger pull.

**NOTE:** Optional 4.5-5.5 pound LEM trigger pull is also available for the USP series pistol.

**Parts Unique to the Law Enforcement Modification**

The unique parts of the USP Compact LEM pistol are listed below. Part numbers, including those that are caliber specific can be found on the parts lists on pages 30 and 31.

- Hammer
- Cocking piece
- Sear, complete
- Spring, trigger rebound
- Spring, cocking piece
- Spring, hammer

**Operation**

USP Pistols fitted with Law Enforcement Modification parts operate like standard variants of the USP Pistol. However, the way in which the hammer is cocked is unique. The hammer in the LEM is a two-piece hammer comprised of a cocking piece (not visible with the pistol assembled) and an external (visible) hammer.



In the LEM system the quality of the trigger pull is improved while at the same time a stronger hammer spring can be employed to improve reliability by increasing the firing pin indent on the primer. The stronger hammer spring also helps to reduce the slide velocity when firing "hot" ammunition. The HK LEM uses the rearward movement of the slide during loading or firing to fully compress the hammer spring.

The cocking piece and hammer are rotated rearward on the hammer axle when the slide moves fully rearward. When fully to the rear the cocking piece is held in the cocked position by the sear and the hammer spring has been fully compressed by the hammer strut. As the slide travels forward the hammer is rotated back to and held in the forward position by the hammer rebound spring.

When the trigger is pulled rearward against the combined force (7.5 – 8.5 pounds) of the trigger, hammer rebound, firing pin block, and sear springs the internal passive safeties are disengaged and the sear releases the cocking piece. The cocking piece is then free to rotate the hammer forward on its axle under pressure of the compressed hammer spring imparted through the hammer strut to strike the firing pin and fire the chambered round. The weight of the trigger pull is adjusted by an armorer replacing or exchanging the firing pin block, firing pin spring, and trigger springs.

#### Special LEM Considerations

HK Lock-Out Device - With the exception of some special order production runs, all new USP pistols assembled at the factory after October 1999 are fitted with HK's Lock-Out Device, an internal safety lock located within the lanyard loop insert found in the heel of frame and described in detail on page 28.

On USP pistols that have LEM parts installed, the HK Lock-Out Device cannot be engaged (locked) if the LEM cocking piece is cocked and the hammer spring is compressed.

To engage the HK Lock-Out Device on pistols fitted with LEM parts the pressure stored in the hammer spring must first be released. You must **CLEAR** the pistol, ensure that it is unloaded and safe and dry fire the pistol once to release the cocking piece and the tension on the hammer spring before you can engage the HK Lock-Out Device.

#### Long Term Pistol Storage

Anytime the slide is moved fully rearward on the USP Pistol fitted with LEM parts the hammer spring is compressed and held in that position until the cocking piece is released by pulling the trigger on the pistol. Therefore for long-term storage (more than 1 year) it is suggested that the pistol first be **CLEARED** and made safe then pointed in a safe direction and dry fired to release pressure on the hammer spring to maintain its life span.

#### Firing

When pulling the trigger rearward you will first feel a relatively long length of free travel (slack) and then a second stage of heavier but consistent pull that actually releases the hammer and fires the pistol.

In addition to providing an improved DAO trigger pull, the LEM also provides a very short trigger reset distance to enhance the speed of multiple or follow-up shots.

---

**WARNING: Do not place your finger on the trigger or within the trigger guard until you have made a conscious decision to fire the pistol.**

---

If you need additional information, please contact your customer service representative at Heckler & Koch Inc. at (205) 655-8299.

#### Unloading the Pistol -

To unload the pistol, follow the "Clearing" procedure on page 9.

If the pistol fails to fire, clear and disassemble it and check for:

1. Obstructions in the chamber, bore or frame. Remove obstructions.
2. Bad ammunition. Try new ammunition.
3. Unserviceable magazine. Replace magazine.
4. Fouling or lack of lubrication. Clean and lubricate the pistol in accordance with the instructions contained within this manual.
5. Evidence of severely worn or broken parts. Contact your authorized HK dealer or unit armorer.

If your pistol still fails to operate correctly, contact your unit armorer, authorized HK dealer, or Heckler & Koch's Customer Service Department for guidance.

---

**WARNING: If a cartridge is assembled without powder (a fault of the manufacturing process), the primer alone has enough power to propel the bullet into the bore. A bullet lodged in the bore may cause damage to the barrel and/or pistol if another cartridge is fired and could cause personal injury or even death. This event is commonly called a "squib load" or "pop and no kick" and is characterized by a reduced report and little or no movement of the slide. An alert operator could notice the occurrence of this event in time to avoid firing the next cartridge.**

---

#### Selection and Use of a Holster

**Selection.** When selecting a carrying holster for the USP Pistols, it is important to consider the following points:

1. The holster must not make contact with or actuate any of the operating controls. This includes the hammer, slide release, magazine release lever, and most importantly the trigger. The design of the holster must also not actuate these controls when the pistol is carried in, drawn from, or returned to the holster.
2. The holster should not cause the slide to move (unlock) when the pistol is returned to the holster.
3. Accommodations must be provided in the holster for any accessories that might be present on the pistol.
4. Choose a holster designed specifically for the specific USP pistol.

**Returning the pistol to the holster.** The USP Pistols space must be made "Safe" (or cleared) prior to returning it to the holster. The pistol is considered safe to return it to the holster when:

1. All fingers are off of the trigger and out of the trigger guard and;
2. The pistol is "clear" or;
3. The hammer is in the decocked (down) position. (different for LEM)

---

**WARNING: The pistol must never be returned to the holster unless the above procedures have been followed or injury or death could occur.**

---

#### Storage and Transport -

1. Store or transport the pistol and its components clean and lubricated.
2. Store and transport the pistol **without** cartridges in the chamber, magazine, or in the storage container.
3. Store and transport the pistol with the slide forward and the hammer down (uncocked).
4. Clean and lubricate the pistol and its components at least every twelve (12) months

during storage.

5. Store the pistol and its components in a clean, dry, dust-free environment with regulated temperature controls.
6. Store the pistol and ammunition separately under lock and key.

**CAUTION:** In the USP Pistol fitted with LEM parts, clear the pistol and release pressure on the cocking piece and hammer spring by dry firing the pistol one time. Only then can the HK Lock-Out Device be placed in the locked position on pistols fitted with the Lock-Out Device (see page 28).

## SECTION 6 DISASSEMBLY AND ASSEMBLY

Be sure your pistol is clear by following the instructions on page 9.

### Disassembly (Field stripping) Pistol -

1. Depress the slide release and allow the slide to move forward.
2. Using the firing hand, retract *and hold* the slide to the rear so that the axle of the slide release is visible through the recess in the left side of the slide (See Figure 2).
3. With the non-firing hand, completely remove the slide release from the left side of the frame by pressing on the axle of the slide release from the right side of the frame.

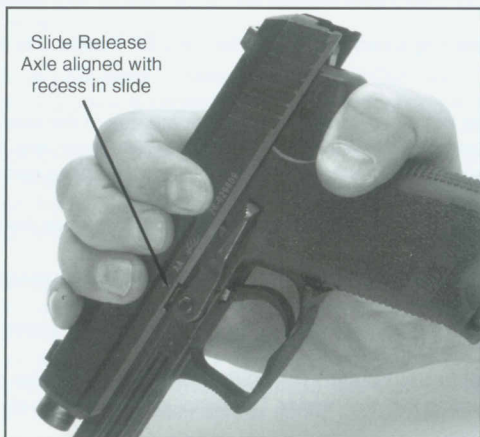


Figure 2

**CAUTION:** Hold the recoil assembly in place while removing the slide from the frame. If not, this assembly could be released under spring tension and could possibly cause injury to personnel, or become damaged or lost.

4. Remove the slide with barrel and recoil spring assembly by sliding it forward off of the frame. (see Figure 3)



Figure 3

5. **Carefully** remove the recoil spring assembly from the barrel and slide by lifting up on the rear of the recoil spring guide rod. The entire assembly can now be lifted out of the slide (see Figure 4)
6. Remove the recoil spring assembly. The USP series pistols use a "captive" recoil spring assembly, disassembly is not recommended.
7. Lift the rear of the barrel by the locking block and withdraw it from the slide.



Figure 4

**NOTE:** Disassembly of the pistol is now complete. Only an HKI certified armorer should disassemble the pistol further.

### Pistol Assembly -

1. Position the barrel in the slide so that:
  - The muzzle of the barrel fits in the hole in the front of the slide.
  - The locking block portion of the barrel fits within the ejection port and the angled locking surfaces of the locking block are visible along the bottom of the slide.
2. Install the recoil spring assembly into the slide so the front of the recoil spring guide rod engages in the small hole provided in the front of the slide.
3. Align the opposing angled locking surfaces on the rear end of the recoil spring guide rod with those located on the bottom of the barrel locking block. (See Figures 6 & 7)



4. Push the rear of the recoil spring assembly forward enough so that the recoil spring retainer can be engaged on the shelf provided on the front of the barrel locking block. (See Figure 6, 7, & 8)

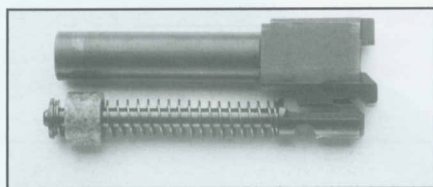


Figure 6 (relationship of recoil spring assembly to barrel locking block inside of slide)

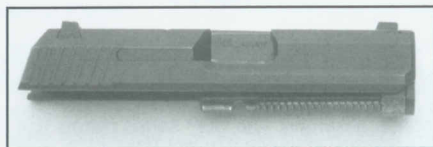


Figure 7 (recoil spring assembly and barrel properly positioned in the slide)

5. Hold the slide in the non-firing hand with the thumb holding the rear end of the recoil spring assembly in place on the slide.



Figure 8

6. Check the position of the sear axle on the frame. Ensure that it does not protrude from either side of the frame. (See Figure 5)
7. Hold the frame in the firing hand. Position the rear of the slide above the front edge of the frame.
8. **Slowly** draw the slide back onto the frame and press down on the disconnecter with the rear of the slide so that the metal inserts in the frame fit into the grooves on the inside of the slide. (See Figure 9)



Figure 9

9. Retract the slide to the point where the recess in the left side of the slide is positioned over the hole where the axle of the slide release will go **and hold it there**.
10. Insert the slide release from left to right into the frame until it is flush with the side of the frame.

---

**NOTE: Assembly of the pistol is now complete. Clear the pistol and check it for correct assembly and operation. Be sure the slide moves freely on the frame and with the pistol cleared and pointed in a safe direction, ensure all controls operate correctly. As applicable, check double-action only mode, slide release, and the magazine release.**

---

---

**NOTE: The recoil springs of the USP9 Compact and USP40 Compact are different. To prevent confusion during reassembly, the USP9 Compact recoil spring is colored red to differentiate it from that of the USP40 Compact.**

---

#### MAGAZINE DISASSEMBLY

---

**CAUTION: Beware of the spring tension exerted by the magazine spring while removing and installing the magazine floorplate. Keep the base of the magazine pointed in a safe direction (away from the face and eyes) at all times during disassembly.**

---

#### Disassembly of high-capacity magazines.

1. Using a blunt pointed instrument depress the locking detente located in the floorplate **and hold it there** (see Figure 10).
2. Place a portion of either hand over the base of the magazine to control the release of the magazine spring and locking plate.
3. **Slowly** slide the floorplate forward off of the magazine housing.



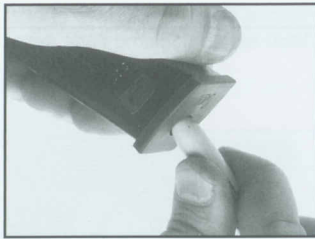


Figure 10

4. **Gradually** allow the locking plate and magazine spring to expand out of the magazine housing.
5. Remove the locking plate, magazine spring and magazine follower from the magazine housing.

#### Disassembly of standard magazines.

1. Using a blunt pointed instrument depress the locking insert detente located in the floorplate **and hold it there** (see Figure 10).
2. Place a portion of either hand over the base of the magazine to control the release of the magazine spring and locking insert.
3. With the locking insert detent still depressed, squeeze the floorplate locking tabs located on the right and left sides of the magazine.

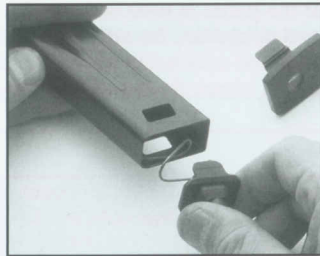


Figure 11

4. **Gradually** allow the locking insert and magazine spring to expand out of the magazine housing. (see Figure 11)
5. Remove the locking insert, magazine spring and magazine follower from the magazine housing.

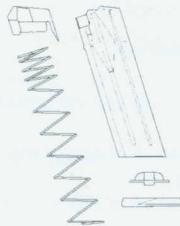


Figure 12 (above) diagram of high-capacity magazine and .45 ACP 8-round magazine

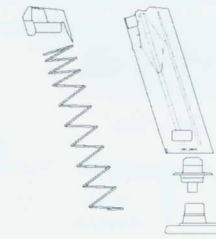


Figure 13 (above) standard magazine

#### MAGAZINE ASSEMBLY (for both models)

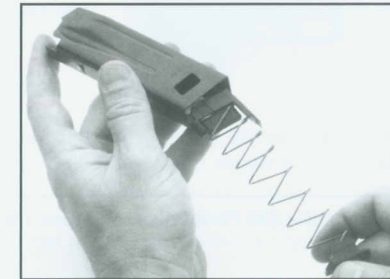


Figure 14

1. Place the magazine follower onto the magazine spring with the end of the spring positioned on the left of the follower.
2. Insert the follower and magazine spring into the magazine housing as depicted in Figure 14.
3. Place the locking plate, or locking insert on standard magazines, onto the protruding end of the magazine spring so that the rounded corners face towards the front of the magazine.
4. Push the locking plate down into the magazine housing against the pressure of the magazine spring **and hold it there**.
5. **On standard magazines**, push the floorplate up onto the base of the magazine housing until the locking tabs engage in the sides of the housing. Check to see if the locking tabs on the floorplate are securely locked into the housing and the locking detente on the locking plate fits within the hole in the floorplate.

**On high-capacity & .45 ACP 8-round magazines**, push the floorplate over the base of the magazine housing and the locking plate from front to rear. Make sure the floorplate is fully seated on the magazine housing and the locking detente on the locking plate fits within the hole in the floorplate.

**On all magazines**, check the magazine for proper assembly by insuring that the follower slides up and down freely within the magazine housing and with spring tension. Also check that the magazine follower rises within the magazine housing to be nearly flush against the bottom of the magazine feed lips.

#### Frame -

- Gently scrub all internal surfaces where carbon fouling is present using the nylon toothbrush moistened with solvent. Concentrate on the area normally covered by the slide.
- Using a rag and cotton swabs, remove all loose fouling from all areas of the frame.

#### Magazine -

- Gently scrub the top of the magazine, concentrating on the follower and feed lips, using the nylon toothbrush moistened with solvent.
- Using a rag and cotton swabs, remove all loose fouling from all surfaces of the magazine.

#### Major Cleaning - Major Cleaning is the same as normal cleaning except that:

- The magazine is disassembled for cleaning.
- All parts should be rinsed with, or immersed in, solvent and thoroughly scrubbed with a nylon brush. The parts can then be dried using compressed air or with a rag and cotton swabs.

**NOTE: All parts of the USP Pistol can be immersed in any cleaning solvent that it is safe to put your hands into, including ultrasonic cleaning solution. Use of ultrasonic cleaning machines can result in the unwanted removal of colored reference markings of the frame, extractor, and control lever (where applicable).**

#### Inspection -

During and after cleaning visually inspect the pistol and its components for any irregularities that may cause problems or stoppages during operation. Generally, you should keep a watchful eye out for the discrepancies listed below.

**Always clear the pistol before conducting your inspection!** (as described on page 9)

- Damaged or missing parts
- Improper assembly or function
- Absence of free movement, where applicable
- Absence of spring tension, where applicable
- Unaccustomed looseness
- Parts exhibiting signs of cracks, burrs, dents, or obvious signs of damage or stress
- Presence of stops or tactile clicks, where applicable.
- General overall cleanliness
- Presence of sufficient lubrication
- Presence of corrosion or degradation of surface finish

**CAUTION: This pistol has been developed by capable and experienced engineers. Its present design represents an optimization of a combination of safety, speed of deployment, accuracy, dependability, and durability. Do not attempt to make this pistol "better" by altering any of its components. Altering any part of the pistol or magazine may cause injury or death and will also void any HKI warranty on the product.**

#### Lubrication

Metal surfaces of the USP Pistol are treated with HKI's special corrosion & wear resistant Hostile Environment (HE) finish. This surface treatment does not completely reduce the friction between moving parts and it is recommended that a lubricant be applied to the pistol to ensure proper functioning. Any type of high-quality, medium weight lubricant (oil) specifically designed for use on firearms will work well on the USP Pistol. Do not use lubricants that boast of their ability to penetrate metal as these substances may deaden primers.

#### Where and How Much -

**No Lube** - Surface is dry and not slippery to the touch

- All plastic components, i.e. frame

**Light Lube** - A finger run across the surface yields little or no lube

- Bore, chamber, and exterior of barrel
- All metal parts
- All internal parts in slide and frame
- Magazine spring
- Recoil spring assembly
- Sights
- USP metal magazine housing, where applicable

**Medium Lube** - A finger run across the surface yields some lube but lube does not run down surface when it is held in a vertical position.

- Barrel locking block
- Slide rails and grooves
- All operating controls
- Locking insert and guiding part in frame
- Extractor

**Heavy Lube - Lubrication** runs down the surface when it is held in a vertical position

**No heavy lube is required on USP Pistols**

Reapply lubricant periodically during firing as it burns off from the heat. Apply lubricant using a clean shaving brush, cotton swabs, patches, or rag. A spray bottle of lubricant also works well when using compressed air to circulate the lubricant into all parts and to remove the excess from the pistol.

#### Troubleshooting Problems and Repair

The ten inspection areas listed above should be checked prior to contacting HKI if your pistol fails to function properly. Other common causes of problems that are often overlooked include:

- Fouled or improperly lubricated pistol
- Bad ammunition
- Damaged magazines
- Operator error

If your USP Pistol still fails to function, please contact HKI Customer Service at 205-655-8299 for the name and address of your nearest HKI Authorized Repair Facility. Military and law enforcement users, contact your unit armorer or HKI Customer Service.

**NOTE: If after reviewing this manual you still have questions, please contact HKI Customer Service at 205-655-8299.**



## LOCK-OUT DEVICE

All USP Pistols produced and delivered in the U.S. after October 1999 are equipped with a patented HK Lock-Out™ Device. This component replaces the lanyard loop insert in the frame and when engaged locks the handgun's action by blocking any movement of the trigger, the hammer, and the slide. The handgun is locked and cannot fire until unlocked. The Lock-Out control plate is accessible through the pistol's magazine well (see figure 16).

**WARNING:** Always point the pistol in a safe direction when locking or unlocking the Lock-Out Device. The pistol should be unloaded and "clear" before locking the Lock-Out Device.

**CAUTION:** In USP pistols fitted with the Law Enforcement Modification (LEM), the pistol must first be unloaded, "cleared", and dry fired to release the compressed hammer spring before the Lock-Out Device can be locked.



Figure 16  
Turn the key clockwise  
to lock the action

Use the two pronged key supplied with the pistol to lock or unlock the pistol as desired. When the holes on the Lock-Out Device are horizontally positioned the pistol is locked and cannot be fired (see figure 17).



Figure 17  
Locked position

When the holes on the Lock-Out Device are vertically positioned the pistol is unlocked and can be fired (see figure 18).



Figure 18  
Unlocked/fire position

**WARNING:** The HK Lock-Out Device is not a substitute for safe gun handling practices. Never point the muzzle of the pistol in an unsafe direction (at yourself or others). When the Lock-Out Device is placed in the locked position the slide is locked in the closed position and cannot be moved! Forcing the slide rearward while the gun is in this locked position will damage the USP Compact.

## HAMMER AND CATCH NOTIFICATION

It is highly recommend that all maintenance work be completed by a certified HKI armorer. In 1995, the USP catch was modified to fit the revised USP hammer. Both of the units pictured below function in the same manner if installed properly. However, a safety issue is created if the parts are mismatched. Please verify that the part numbers and the correct assembly are completed before installation. Improper installation or mismatched parts can result in a severe malfunction. Please contact HKI Customer Service for more information.

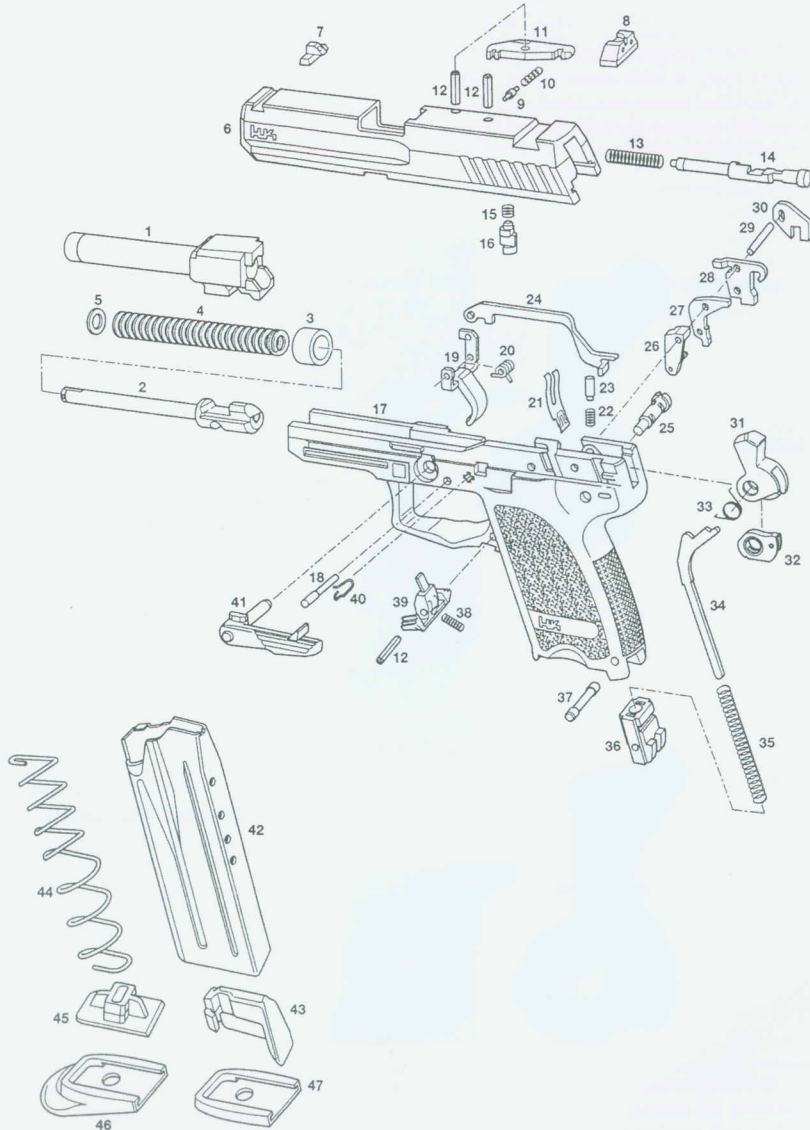
**Note:** All maintenance should be performed by a certified HKI armorer. Though new parts may fit with older parts, they may not function properly unless fitted by an HKI certified armorer. Malfunctions could cause injury or even death. For more information, please contact HKI Customer Service at (205) 655-8299.



## SECTION 8 USP SERIES PISTOL EXPLODED VIEW & PARTS LIST

### USP Compact — LEM Pistol

NOTE: Parts & diagram of .45 ACP model LEM currently not available

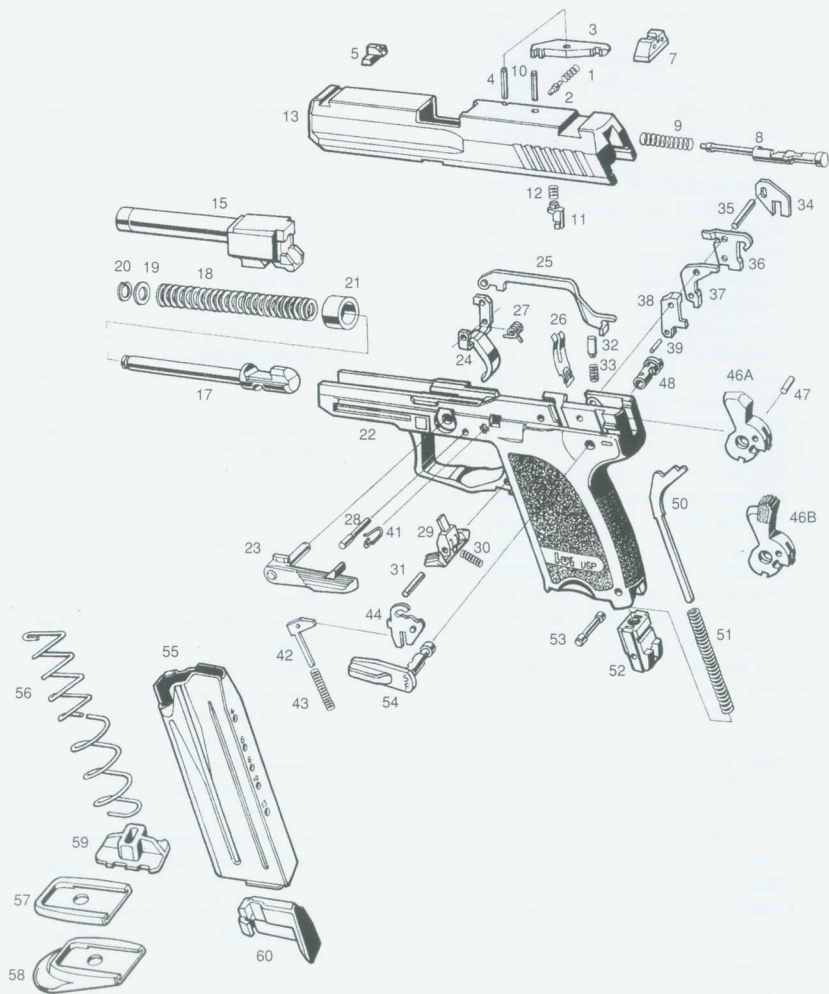


Item	Description	Identification No.	Item	Description	Identification No.
1	Barrel (.40 S&W)	215799	21	Flat spring	214167
	Barrel (.357 SIG)	217813	22	Trigger bar detent spring	214166
	Barrel (9mm)	215838	23	Trigger bar detent	214165
*	Recoil spring assembly with captive spring, complete (.40 S&W) (items 2-5)	215827	24	Trigger bar	219438
2	Recoil spring guide rod, incomplete	215828	25	Hammer axle (Double Action)	214258
3	Absorber bushing	215932	26	Sear	219439
4	Recoil spring (.40 S&W)	215830	27	Catch	219442
5	Recoil spring retainer	215831	28	Sear actuator latch	214817
6	Slide, incomplete (.40 S&W)	215820	29	Sear axle	214101
	Slide (.40 S&W)	215820	30	Disconnecter	214840
	Slide (.357 SIG)	217812	31	Hammer	219452
	Slide (9mm)	215840	32	Cocking piece	219443
7	Front sight (6.0 mm)	215823	33	Cocking piece spring	219444
	Front sight (6.2 mm) standard	215824	34	Hammer strut	215809
	Front sight (6.4 mm)	214220	35	Hammer spring	214695
	Front sight (6.6 mm)	214221	36	HK Lock-Out device, complete	219457
	Front sight (6.8 mm)	214222	*	Lanyard loop insert (std) without Lock-Out	214341
	Front sight (7.0 mm)	214223	37	Lanyard loop insert pin	215829
	Front sight (7.2 mm)	214224	38	Magazine release spring	215929
	Front sight (7.4 mm)	214225	39	Magazine release	214818
8	Rear sight	214356	40	Shaped spring (slide release)	214171
9	Rubber plug, extractor	215801	41	Slide release	215814
10	Extractor spring	214188	12	Magazine release axle (3x14mm)	980838
11	Extractor	215919	*	Magazine, .40 S&W, 12-round, with extended floorplate, complete (items 42 to 46)	217439
12	Roll pin for extractor (ISO 3x14mm)	980838	*	Magazine complete with flat floorplate (.40 S&W 10-rd.)*	215832
	Roll pin for firing pin (ISO 3x14mm)	980838	*	Magazine complete with extended floorplate, (.40 S&W 10-rd.)	215977
13	Firing pin spring	215822	42	Magazine housing (.40 S&W 12-rd.)	215661
14	Firing pin (old style)	215821	*	Magazine housing (.40 S&W 10-rd.)	215833
	Firing pin (new style)	209295	43	Follower	215836
15	Firing pin block spring	219454	44	Magazine spring	214212
	Firing pin block spring (light LEM)	209296	45	Locking plate (.40 S&W 12-rd.)	215844
	Firing pin block spring (standard LEM)	209962	*	Locking plate (.40 S&W 10-rd.)	215835
16	Firing pin block (old style)	215935	46	Extended floorplate (.40 S&W 12-rd.)	215663
	Firing pin block (new style)	209313	*	Extended floorplate (.40 S&W 10-rd.)	215978
*	Key for Lock-Out device	219456	47	Flat floorplate (.40 S&W 12-rd.)	215662
*	Frame, complete (.40 S&W, LEM) (items 12, 17-41)	218511	*	Flat floorplate (.40 S&W 10-rd.)	215834
17	Frame, incomplete (.40 S&W, LEM)	218512		(see parts list on pages 55 for additional magazine components not found here)	
18	Trigger axle	214154			
19	Trigger	215816			
20	Trigger rebound spring	219441			
	Trigger rebound spring (light LEM)	209266			

\* items not pictured in exploded view on opposite page



**USP COMPACT**  
(.40 S&W, .357 SIG, & 9mm Models)

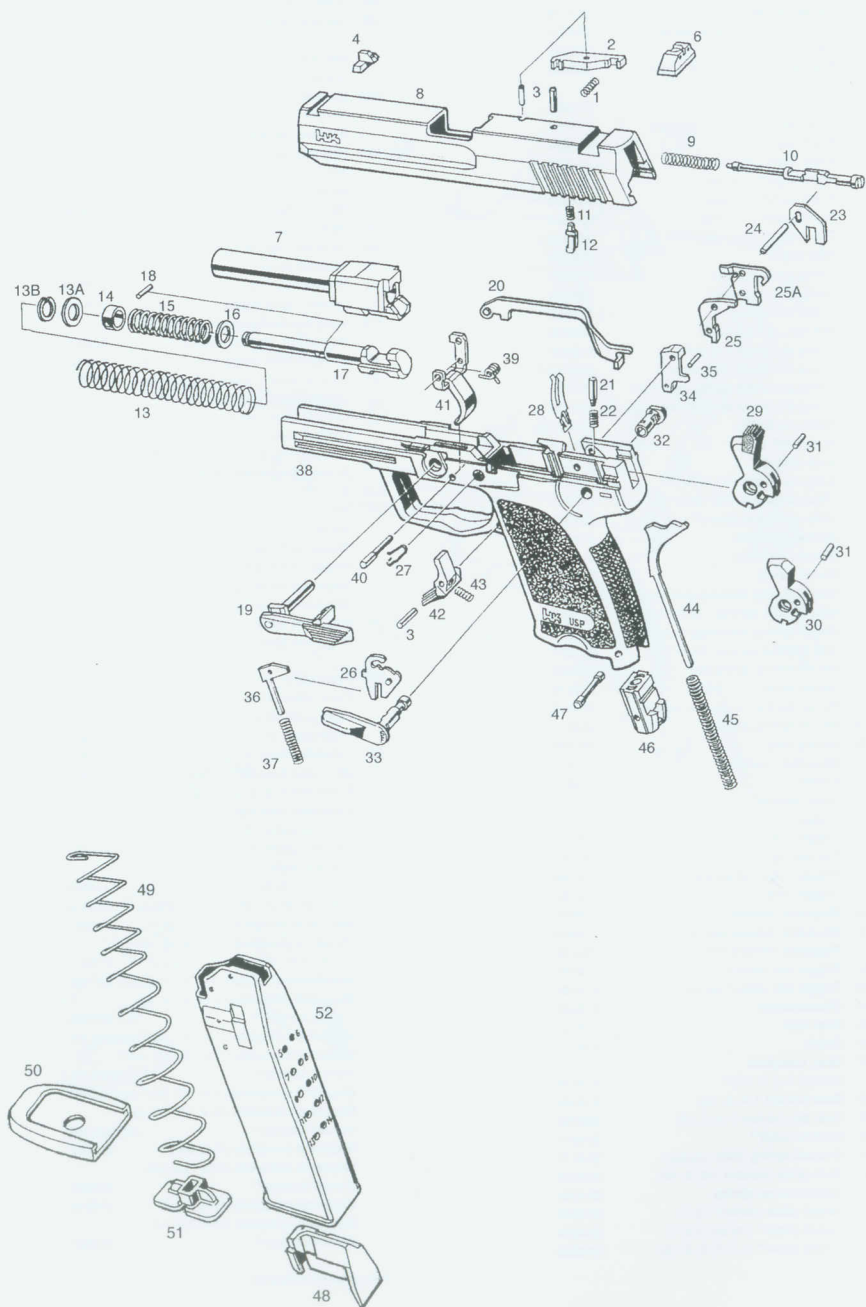


**USP Compact Parts List (.40 S&W, .357 SIG, and 9mm Models)**

Item	Description	Identification No.	Item	Description	Identification No.
1	Extractor spring	214188	45	Tube (variant 5, 6, 7)**	214413
2	Rubber plug, extractor spring	215801	46	Hammer, bobbed, complete (variant 1, 2, 3, 4)**	215692
3	Extractor	215919		Hammer, bobbed (variant 1, 2, 3, 4)**	214693
4	Roll pin, ISO 8748 - 3 X 14mm (extractor)	980838	46A	Hammer, bobbed, complete (variant 5, 6, 7)**	214744
5	Front sight* (6.0 mm)	215823		Hammer, bobbed (variant 5, 6, 7)	214745
	Front sight* (6.2 mm) standard	215824	46B	Hammer, spurred, complete (variant 9, 10)**	214825
	Front sight* (6.4 mm)	214220		Hammer, spurred (variant 9, 10)	214687
	Front sight* (6.6 mm)	214221	47	Roll pin, hammer	926066
	Front sight* (6.8 mm)	214222	48	Hammer axle (v.1-6, 9,10)	214774
	Front sight* (7.0 mm)	214223	49	Hammer axle DA (variant 7)	214258
	Front sight* (7.2 mm)	214224	50	Hammer strut	215809
	Front sight* (7.4 mm)	214225	51	Hammer spring	215694
7	Rear sight*	214356	52	Lanyard loop insert	214341
8	Firing pin (old style)	215821	52A	Lock-out device (replaces lanyard loop insert, item 52 above)**	219455
8	Firing pin (new style)	209295	53	Lanyard loop insert pin	215829
9	Firing pin spring	215822	54	Control lever (variant 1, 5, 9)	215818
10	Roll pin, ISO 3 X 14mm	980838		Control lever (variant 2, 6, 10)**	215855
11	Firing pin block (old style)	215935		Control lever (variant 3)**	215858
	Firing pin block (new style)	209313		Control lever (variant 4)**	215872
12	Firing pin block spring (old style)	214192	54A	Ambidextrous control lever (left)**	217756
	Firing pin block spring (new style)	209296		Ambidextrous control lever (right)**	217758
13	Slide (.40 S&W)	215820	54B	Roll pin 1.5 x 8mm**	982783
	Slide (.357 SIG)	contact HK for #	55	Magazine housing (.40 cal., 10-rd)**	215833
	Slide (9mm)	215840		Magazine housing (.40 cal., 12-rd)**	215661
14	Slide complete (.40 S&W)**	215819		Magazine housing (.357 SIG, 12-rd)** contact HK	
	Slide complete (.357 SIG)**	217812		Magazine housing (.357 SIG, 10-rd)**	217820
	Slide complete (9mm)**	215839		Magazine housing (9mm, 10-rd)**	215848
15	Barrel (.40 S&W)	215799		Magazine housing (9mm, 13-rd)**	215846
	Barrel (.357 SIG)	217813	56	Magazine spring (.40, .357 SIG, 9mm, 10-rd)**	214850
	Barrel (9mm)	215838		Magazine spring (9mm 13-rd, 40/, 3.57 SIG, 12-rd)	214212
16	Recoil spring assembly complete with captive spring (.40 S&W)**	215827	57	Floor plate (.40 cal. / .357 SIG, 10-rd)**	215834
	Recoil spring assembly complete with captive spring (9mm)**	215851		Floor plate (.40 cal. / .357 SIG, 12-rd)**	215662
17	Recoil spring guide rod	215828		Floor plate (9mm, 10-rd)**	215849
18	Recoil spring (.40 S&W)	215830		Floor plate (9mm, 13-rd.)	215843
	Recoil spring (9mm-colored red)	215852	58	Extended floor plate (.40/.357 SIG, 10-rd)**	215978
19	Recoil spring retainer	215831		Extended floor plate (.40/.357 SIG, 12-rd)**	215663
20	Spring ring	986788		Extended floor plate (9mm, 10-rd)**	215983
21	Absorber bushing	215932		Extended floor plate (9mm, 13-rd.)	215980
22	Frame	215810	59	Locking plate (.40 S&W, .357 SIG)**	215835
23	Slide release	215814		Locking plate (9mm, 10-rd)**	215850
24	Trigger	215816		Locking plate (9mm 13-rd & 40 S&W, .357 SIG 12-rd)	214844
25	Trigger bar	215812	60	Follower (all .40 caliber, .357 SIG, & 9mm)	215836
26	Flat spring	214167	61	Magazine complete (10-rd, 40 cal.)**	215832
27	Trigger rebound spring	214164		Magazine complete (10-rd, 40 cal., with extended floorplate)**	215977
28	Trigger axle	214154		Magazine complete (12-rd, 40 cal.)**	217438
29	Magazine release	214818		Magazine complete (12-rd, 40 cal., with extended floorplate)**	217439
30	Magazine release spring	215929		Magazine complete (10-rd, .357 SIG)** contact HK	
31	Magazine release axle	980838		Magazine complete (10-rd, .357 SIG, with extended floorplate)**	contact HK
32	Trigger bar detent	214165		Magazine complete (12-rd, .357 SIG)** contact HK	
33	Trigger bar detent spring	214166		Magazine complete (12-rd, .357 SIG, with extended floorplate)**	contact HK
34	Disconnecter	214840		Magazine complete (10-rd, 9mm)**	215847
35	Sear axle	214101		Magazine complete (10-rd, 9mm, with extended floorplate)**	215982
36	Catch	214773		Magazine complete (13-rd, 9mm)**	215845
37	Sear, complete (variant 1-4, 9, 10)**	214179		Magazine complete (13-rd, 9mm, with extended floorplate)**	215981
	Sear (variant 1-4, 9, 10)	214180			
38	Sear pin (variant 1-4, 9, 10)	982785			
39	Control latch**	214817			
40	Control latch**	214817			
41	Shaped spring (slide release)	214171			
42	Slide plate (variant 1-6, 9, 10)	214105			
43	Compression spring	214104			
44	Detent plate (variant 1 & 2)	214949			
	Detent plate** (variant 3 & 4)	214254			
	Detent plate** (v. 5, 6, 9, & 10)	214255			

\*\*Not pictured in diagram

USP  
(.40 S&W and 9mm Models)



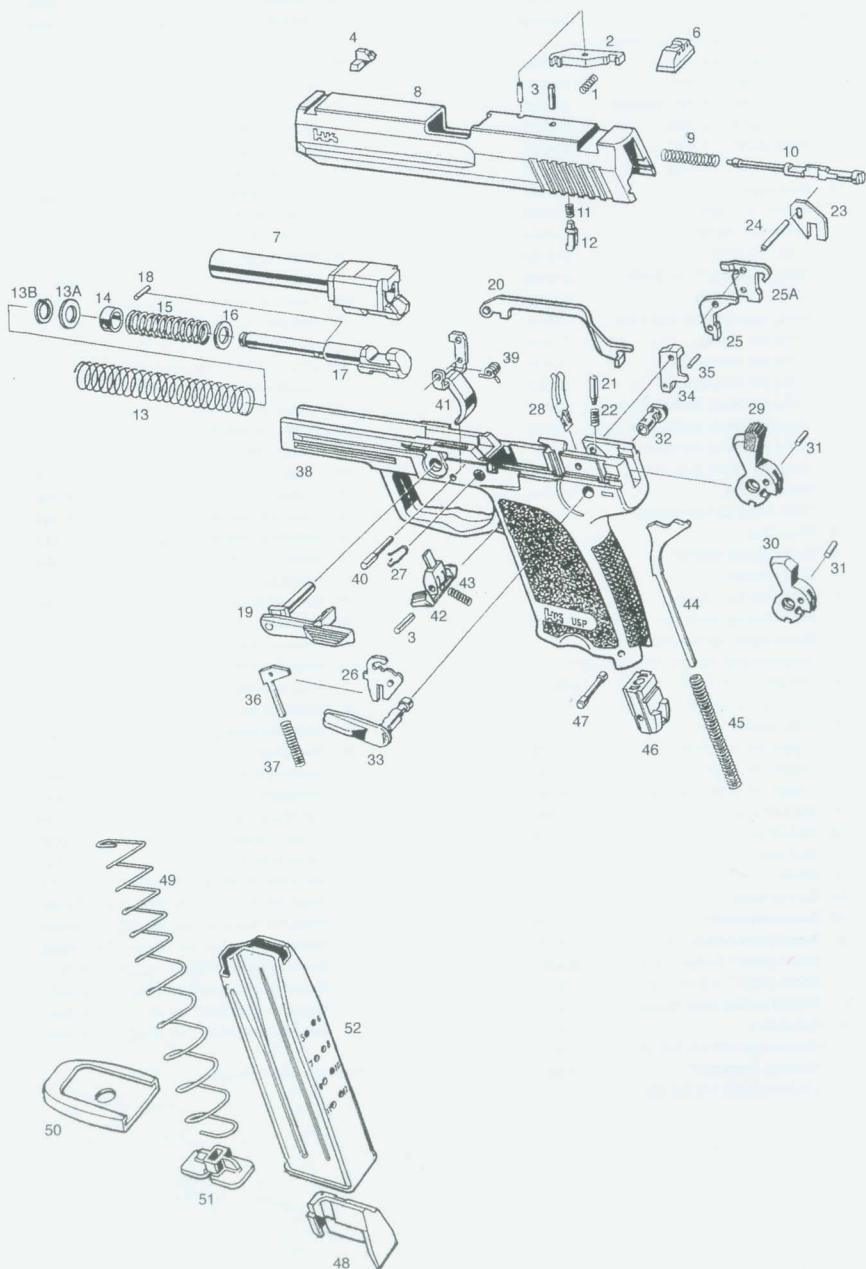
USP Parts List (.40 S&W and 9mm Models)

Item	Description	Identification No.	Item	Description	Identification No.
1	Extractor spring	214188	29A	Hammer (variant 1-4, 9 & 10)**	214106
2	Extractor	214187	30	Hammer, bobbed (v.5, 6, 7)	214256
3	Roll pin, ISO 8748 - 3 X 14 mm (3x) (extractor, firing pin, mag release)	980838		<b>Hammer, bobbed, complete**</b>	214308
4	Front sight* (6.4 mm)	214220	31	Cyl. pin, ISO 8750 -1.5 X 8mm (hammer strut pin)	982783
	Front sight* (6.6 mm)	214221	32	Hammer axle (new style)	214774
	Front sight* (6.8 mm) standard	214222		Hammer axle** (v.1-6, 9, 10)	214303
	Front sight* (7.0 mm)	214223		Hammer axle** (variant 7)	214258
	Front sight* (7.2 mm)	214224	33	Control lever (variant 1, 5, 9)	214184
	Front sight* (7.4 mm)	214225		Control lever (variant 2, 6, 10)	214309
6	Rear sight	214194		Control lever (variant 3)	214352
7	Barrel (.40 S&W)	214209		Control lever (variant 4)	214253
	Barrel (9 X 19 mm)	214344	34	Sear (variant 1-4, 9, 10)	214180
8	Slide (.40 S&W)	214186		Sear, complete**	214179
	Slide, complete** (.40 S&W)	214150	34A	Tube (variant 5, 6, 7)**	214413
	Slide (9 X 19 mm)	214304	35	Roll pin, ISO 8748 - 2 X 10mm (sear, variant 1, 2, 3, 4, 9, 10)	982785
	Slide, complete** (9 mm x 19)	214345	36	Detent slide (variant 1-6, 9, 10)	214105
9	Firing pin spring	214190	37	Compression spring, (detent slide) variant 1-6, 9, 10	214104
10	Firing pin (old style)	214189	38	Frame, incomplete	214172
	Firing pin (new style)	202624	39	Trigger rebound spring	214164
11	Firing pin block spring (old style)	214192	40	Trigger axle	214154
	Firing pin block spring (new style)	209296	41	Trigger	214153
12	Firing pin block (old style)	214191	42	Magazine release	214169
	Firing pin block (new style)	209313	43	Magazine release spring	214170
13	Recoil spring	214148	44	Hammer strut (new style)	214819
13A	Front recoil spring retainer	214721		Hammer strut**	214157
13B	Snap ring	929191	45	Hammer spring	214300
14	Buffer spring retainer	214208	46	Lanyard loop insert	214341
15	Buffer spring	214207	47	Lanyard loop insert pin	214314
16	Recoil spring retainer	214206	48	Magazine follower	214211
17	Recoil spring guide rod	214205		Mag. follower(10-rd., 40 & 9mm) **	214211
17	Recoil/buffer spring assembly complete with captive recoil spring**	982782	49	Magazine spring	214212
18	Roll pin, ISO 8748 - 3.5 X 10mm (buffer spring retainer)			Magazine spring (10-rd) **	214850
19	Slide release	214181	50	Floorplate	214213
20	Trigger bar, complete	214176		Floorplate (10-rd., .40 cal.) **	214845
21	Trigger bar detent	214165		Floorplate (10-rd, 9mm) **	214848
22	Trigger bar detent spring	214166	51	Locking plate (for high capacity mags)214288	
23	Disconnecter	214840		Locking plate (10rd, .40 cal.) **	214844
23A	Disconnecter**	214160		Locking plate (10rd, 9mm)**	214847
24	Sear axle	214101	52	Magazine housing (13-rd., 40 cal.)	214214
25	Catch	214773		Magazine housing (15rd, 9mm)	214350
25A	Control latch	214817		Magazine housing (10rd, 40 cal.)	214846
25B	Catch (old style)**	214159		Magazine housing (10rd, 9mm)	214849
26	Detent plate (variant 1 & 2)	214099		Magazine complete (10rd, 40 cal.)**	214854
	Detent plate** (variant 3 & 4)	214254		Magazine complete (10rd, 9mm)**	214855
	Detent plate** (v. 5, 6, 9, & 10)	214255		Magazine complete (13rd, 40 cal.)**	214864
27	Shaped spring (slide release)	214171		Magazine complete (15rd, 9mm)**	214866
28	Flat spring	214167			
29	Hammer (variant 1-4, 9 & 10)	214825			
	Hammer, complete**	214301			
	with pin (variant 1-4, 9 & 10)				

\*\*Not pictured in diagram



USP 45  
(.45 ACP Models)

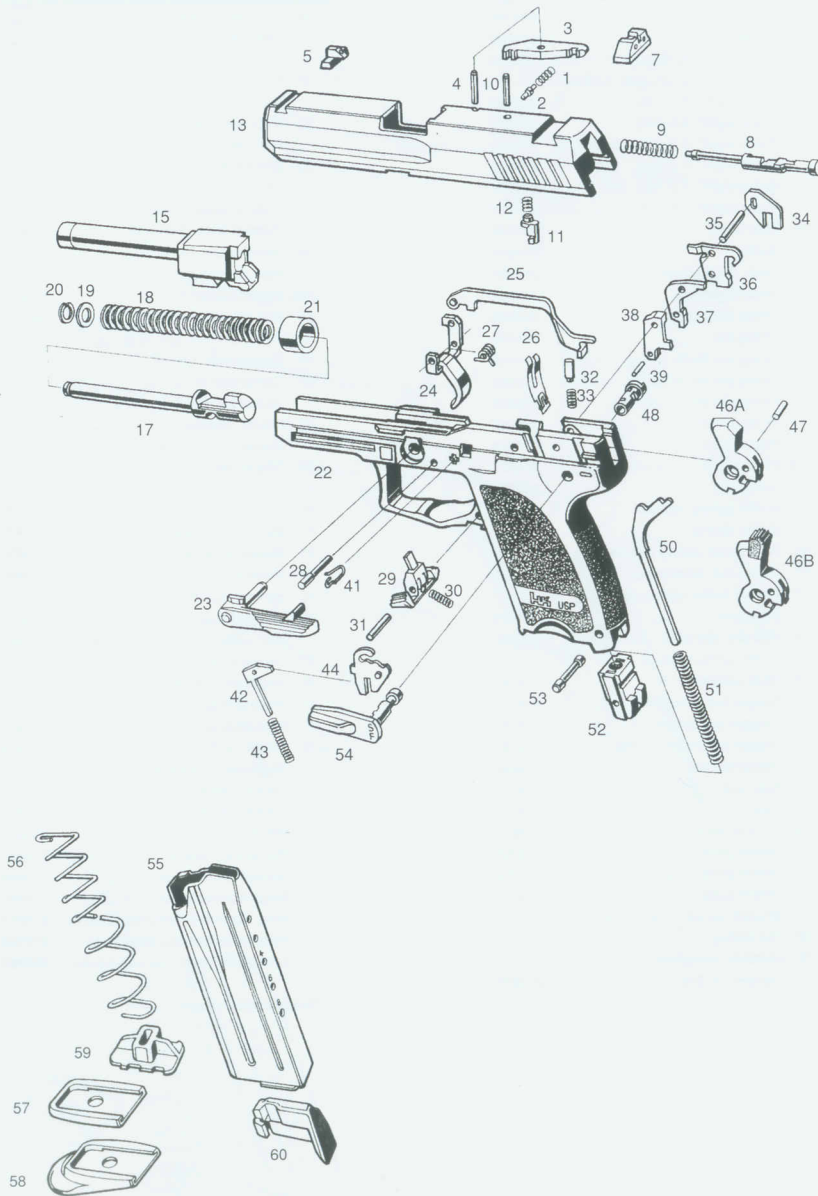


USP 45 Parts List (.45 ACP Model)

Item	Description	Identification No.	Item	Description	Identification No.
1	Extractor spring	214188	30	Hammer, bobbed** (v.5, 6, 7)	214256
2	Extractor	214828		Hammer, bobbed complete** (v.5, 6, 7)	214744
3	Roll pin, ISO 8748 - 3 X 14 mm(3x) (extractor, firing pin, mag. release)	980838	31	Cyl. pin, ISO 6325 2.5x8mm (hammer strut pin)	971598
4	Front sight* (6.4 mm)	214220	32	Hammer axle (v.1-6, 9, 10)	214774
	Front sight* (6.6 mm)	214221		Hammer axle** (variant 7)	214258
	Front sight* (6.8 mm) standard	214222	33	Control lever (variant 1, 5, 9)	214184
	Front sight* (7.0 mm)	214223		Control lever (variant 2, 6, 10)	214309
	Front sight* (7.2 mm)	214224		Control lever (variant 3)	214352
	Front sight* (7.4 mm)	214225		Control lever (variant 4)	214253
6	Rear sight	214194	34	Sear (variant 1-4, 9, 10)	214180
7	Barrel	214815		Sear, complete**	214179
8	Slide, incomplete	214827	34A	Tube** (variant 5, 6, 7)	214413
	Slide, complete	214826	35	Roll pin, ISO 8748 - 2 X 10mm (sear, variant 1, 2, 3, 4, 9, 10)	982785
9	Firing pin spring	214190	36	Detent slide (variant 1-6, 9, 10)	214105
10	Firing pin	214189	37	Compression spring, (detent slide) variant 1-6, 9, 10	214104
11	Firing pin block spring (old style)	214192	38	Frame, complete	214816
	Firing pin block spring (new style)	209296		Frame, incomplete	214675
12	Firing pin block (old style)	215935	39	Trigger rebound spring	214164
	Firing pin block (new style)	209313	40	Trigger axle	214154
13	Recoil spring	214843	41	Trigger	214841
13A	Front recoil spring retainer	214721	42	Magazine release	214818
13B	Snap ring	929191	43	Magazine release spring	214170
14	Buffer spring retainer	214208	44	Hammer strut	214819
15	Buffer spring	214822	45	Hammer spring	214300
16	Rear recoil spring retainer	214206	46	Lanyard loop insert	214836
17	Guide rod, incomplete	214830		HK Lockout (replaces 214836)	219461
	Recoil/ buffer spring assembly complete	214829	47	Lanyard loop insert pin	214314
18	Roll pin, ISO 8748 - 3.5 X 10mm (buffer spring retainer)	929908	48	Magazine Follower	214832
19	Slide release	214181	49	Magazine spring (12-rd)	214833
20	Trigger bar, complete	214176		Magazine spring** (10-rd)	214850
21	Trigger bar detent	214165	50	Magazine floorplate (12-rd)	214834
22	Trigger bar detent spring	214166		Magazine floorplate (10 rd)	214852
23	Disconnecter	214840	51	Locking plate (12-rd)	215871
24	Sear axle	214101		Locking insert** (10-rd)	214853
25	Catch	214773	52	Magazine housing (12-rd)	214869
25A	Control latch	214817		Magazine housing** (10-rd)	214851
26	Detent plate (variant 1 & 2)	214099		Magazine complete** (10-rd)	214868
	Detent plate** (variant 3 & 4)	214254		Magazine complete** (12-rd)	214862
	Detent plate** (v. 5, 6, 9, & 10)	214255		Mag. extended floorplate** (10-rd)	215954
27	Shaped spring (slide release)	214171		Mag. extended floorplate** (12-rd)	217710
28	Flat spring	214167		Lockout key** for use with Lockout	200791
29	Hammer, complete (variant 1-4, 9 & 10)	214825			

\*\*Not pictured in diagram

USP COMPACT  
(.45 ACP Model)



USP Compact Parts List (.45 ACP Model)

Item	Description	Identification No.
1	Extractor spring	214188
2	Rubber plug, extractor spring	215801
3	Extractor .45	215864
4	Roll pin, ISO 8748 - 3 X 14mm (extractor)	980838
5	Front sight* (6.0 mm)	215823
	Front sight* (6.2 mm) standard	215824
	Front sight* (6.4 mm)	214220
	Front sight* (6.6 mm)	214221
	Front sight* (6.8 mm)	214222
	Front sight* (7.0 mm)	214223
	Front sight* (7.2 mm)	214224
	Front sight* (7.4 mm)	214225
7	Rear sight*	214356
8	Firing pin	215928
9	Firing pin spring	215822
10	Roll pin, ISO 3 X 14mm	980838
11	Firing pin block	215935
12	Firing pin block spring	214192
13	Slide (.45 ACP)	215927
14	Slide complete (.45 ACP)**	215926
15	Barrel (.45 ACP)	215921
16	Recoil spring assembly complete with captive spring (.45 ACP)**	215930
17	Recoil spring guide rod (.45)	215931
18	Recoil spring	215830
19	Recoil spring retainer	215831
20	Spring ring	986788
21	Absorber bushing	215932
22	Frame .45 ACP	215923
	Frame (complete) .45 ACP**	215922
23	Slide release	215814
24	Trigger	215816
25	Trigger bar .45	215924
26	Flat spring	214167
27	Trigger rebound spring	214164
28	Trigger axle	214154
29	Magazine release	214818
30	Magazine release spring	215929
31	Magazine release axle	980838
32	Trigger bar detent	214165
33	Trigger bar detent spring	214166
34	Disconnecter	214840
35	Sear axle	214101
36	Catch	214773
37	Sear, complete (variant 1-4, 9, 10)**	214179

Item	Description	Identification No.
38	Sear (variant 1-4, 9, 10)	214180
39	Sear pin (variant 1-4, 9, 10)	982785
40	Control latch**	214817
41	Shaped spring (slide release)	214171
42	Slide plate (variant 1-6, 9, 10)	214105
43	Compression spring	214104
44	Detent plate (variant 1 & 2)	214949
	Detent plate** (variant 3 & 4)	214254
	Detent plate** (v. 5, 6, 9, & 10)	214255
45	Tube (variant 5, 6, 7)**	214413
46	Hammer, bobbed, complete (variant 1, 2, 3, 4)**	215692
	Hammer, bobbed (variant 1, 2, 3, 4)	214693
46A	Hammer, bobbed, complete (variant 5, 6, 7)**	214744
	Hammer, bobbed (v. 5, 6, 7)**	214745
46B	Hammer, spurred, complete (variant 9, 10)**	214825
	Hammer, spurred (variant 9, 10)	214687
47	Roll pin, hammer	926066
48	Hammer axle (v.1-6, 9,10)	214744
49	Hammer axle DA (variant 7)	214258
50	Hammer strut	214809
51	Hammer spring	215694
52	Lanyard loop insert	214341
52A	Lock-out device (replaces lanyard loop insert, item 52 above)**	219455
53	Lanyard loop insert pin	215829
54	Control lever (variant 1, 5, 9)	215818
	Control lever (variant 2, 6, 10)**	215855
	Control lever (variant 3)**	215858
	Control lever (variant 4)**	215872
54A	Ambidextrous control lever (left)**	217756
	Ambidextrous control lever (right)**	217758
54B	Roll pin 1.5 x 8mm**	982783
55	Magazine housing (.45 cal., 8-rd)	215934
56	Magazine spring (.45 cal., 8-rd)	214212
57	Floor plate (.45 cal., 8-rd.)	215936
58	Extended floor plate (.45 cal., 8-rd.)	215985
59	Locking plate (.45 cal., 8-rd.)	215937
60	Follower (.45 cal., 8-rd.)	215938
61	Magazine complete (.45 cal., 8-rd.)**	215933
	Magazine complete (.45 cal., 8-rd., with extended floorplate)**	215984

\*\*Not pictured in diagram



## SECTION 9 USP TACTICAL - .40 S&W and .45 ACP

The USP Tactical pistol has all of the features found on the standard USP45 with the addition of the following:

- adjustable trigger stop
- rear sight with micro-meter adjustment for windage and elevation
- high profile front sight
- extended threaded barrel with O-ring
- extended floorplate on magazine (.45 only)
- loaded chamber indicator

### Adjustable trigger stop

The trigger stop for the USP Tactical pistol is located on the trigger and limits the trigger travel immediately after the hammer has been released. It is adjusted by use of the 1.5 mm allen wrench equipped with the pistol.

By turning the 1.5 mm set screw clockwise, the over-travel of the trigger can be reduced. Care must be exercised in making this adjustment as the screw can be adjusted far enough to prevent the proper operation of the double action and single action trigger.

### Rear sight

The USP Tactical uses a micrometer rear target sight which is adjustable for windage and elevation. Using an appropriate screw driver, the rear sight can be precisely adjusted to align with the point of impact.

### Adjusting the elevation

Rotate the elevation adjusting screw on the top of the rear sight in the desired direction with the screwdriver supplied with the pistol; rotating it clockwise lowers the point of impact approximately 1 cm (0.39 inch) per click at a range of 25 meters (27.3 yards), rotating counterclockwise raises it the same amount per click.

### Adjusting the windage

Rotate the windage adjusting screw located on the right side of the rear sight in the desired direction with the screwdriver supplied with the pistol. Rotating clockwise moves the shot to the right. Rotating counterclockwise moves the shot to the left. Each click shifts the point of impact approximately .5 cm (0.2 inch) to the left or the right at a range of 25 meters (27.3 yards).

### High profile front sight

The high profile front sight is mounted on the slide in a dovetail and does not require adjustment. It allows the operator to obtain a normal sight picture when an optional sound suppressor is mounted.

### Extended barrel with O-ring and muzzle threads

The 128.5 mm (5.06 inches) hammer forged polygonal barrel is engineered for a high level of accuracy. The high temperature rubber O-ring located towards the muzzle holds the barrel tightly in the slide during firing and enhances accuracy. The left hand threads used on the barrel of the USP Tactical pistol will accept only those accessories designed for the pistol. **The MK23 sound suppressor cannot be attached to the USP45 Tactical pistol!** A specially designed sound suppressor is available for the USP45 Tactical pistol.

---

**CAUTION: When used with a suppressor, use only HKI approved suppressors. Even though all types of high velocity supersonic (+P) ammunition can be fired, for maximum effectiveness (suppression) only subsonic ball ammunition should be used when a sound suppressor is attached.**

---

Place a drop of lubricant on the barrel O-ring during cleaning and replace it by hand if/when necessary. Spare O-rings are provided with each new USP Tactical pistol. Prolonged use of +P ammunition through the pistol with the sound suppressor attached is not recommended. Assembly and disassembly of the slide, barrel, and frame on the USP Tactical is the same as other full-frame USP pistols (see pages 18-21 in this manual).

### Extended floorplate magazine

The USP Tactical pistol uses magazines with extended floorplates; providing a larger, and for many shooters, a more comfortable gripping area. It also protects the magazine if dropped and assists in the manual removal of the magazine in the event a stoppage occurs. This floorplate is removed and installed like the standard floorplate (see pages 21-24 in this manual). The use of an extended floorplate does not affect the magazine capacity.

### Loaded chamber indicator

The extractor of the USP Tactical pistol doubles as a loaded chamber indicator anytime a live cartridge or empty case is present in the chamber. A red painted portion of the extractor, or its protruding tactile feel, indicates the chamber is loaded. Tools provided with the USP Tactical include a 1.5 mm allen wrench for adjusting the trigger stop and a screwdriver for adjusting windage and elevation on the rear sight.

## USP45 TACTICAL SPECIFICATIONS

Caliber	.45 ACP
Operating Principle	Short recoil
Action Type	Modified Browning type, linkless
Sights	Rear micrometer adjustable for windage & elevation, high profile front sight
Total Length	220 mm (8.64 in.)
Barrel Length	132 mm (5.20 in.)
Sight Radius	161 mm (6.34 in.)
Rate of Twist (one turn in)	406 mm (15.98 in.)
Height (Total)	149 mm (5.86 in.)
Width of Slide	29 mm (1.14 in.)
Width of Frame	32 mm (1.26 in.)
Weight (with empty magazine)	907 grams (32.00 oz.)
Weight of Empty Magazine	110 grams (3.88 oz.)
Trigger Travel (rest to hammer release)	
Single-action	6.3 mm (.25 in.)
Double-action	11.3 mm (.45 in.)
Trigger Reach (center of trigger to back of frame)	
Single-action	65 mm (2.56 in.)
Double-action	75 mm (2.95 in.)
Magazine Capacity	10 cartridges (Civilian)* / 12 cartridges (Law Enforcement (does not include cartridge in chamber) and Military)
Safety Features	
1. Manual safety lever (Variants 1, 2, 5, 6, 9,10)	
2. Double-action mode with hammer intercept notch	
3. Firing pin block	
4. Disconnecter Law Enforcement & Military only. Due to provisions of the 1994 Crime Bill, magazine capacity for U.S. civilian pistols is 10 cartridges.	

Part No.	Item Description	Part No.	Item Description
217705	Slide, USP45 Tactical, incomplete.	214825	Hammer, with rubber spur, complete, USP45
217704	Slide, USP45 Tactical, complete	217710	Magazine, 12-round, USP45 with LE markings
986844	Sight, rear adjustable, complete.	215968	Plate, magazine floor, extended, for USP45
987505	Screwdriver for adjustable rear sight	215684	Trigger with adjustable trigger stop, USP45 Tactical
215939	Sight, front, for use with adjustable rear sight	215680	Stop, adjustable trigger, USP45 Tactical
215864	Extractor with red chamber indicator	958179	Wrench, hex, 1.5mm for adjustable trigger stop USP45 Match
215801	Plug for extractor spring	214300	Spring, hammer
217702	Barrel, USP45 Tactical, w/ left hand threads, w/o O-ring		
986429	O-ring		
217706	Assembly, captured recoil/buffer spring, complete		
217707	Rod, recoil spring guide (bare)		
217703	Frame, complete., USP45 Tactical		

## USP Tactical .45ACP and .40 S&W





The USP Expert pistol has all of the features found on the standard USP45 and USP40 with the addition of the following:

- match trigger parts
- adjustable trigger stop
- rear sight with micro-meter adjustment for windage & elevation
- front target sight
- extended slide & barrel with O-ring
- extended floorplate on magazine (.45 only)
- loaded chamber indicator

#### Adjustable trigger stop

The trigger stop for the USP Expert pistol is located on the trigger and limits the trigger travel immediately after the hammer has been released. It is adjusted by use of the 1.5 mm allen wrench that comes with the pistol. By turning the 1.5 mm set screw clockwise, the overtravel of the trigger can be reduced. Care must be exercised in making this adjustment as the screw can be adjusted far enough to prevent the proper operation of the double action and single action trigger.

#### Rear sight

The USP Expert uses a micrometer rear target sight which is adjustable for windage and elevation. Using an appropriate screw driver, the rear sight can be precisely adjusted to align with the point of impact.

#### Adjusting the elevation

Rotate the elevation adjusting screw on the top of the rear sight in the desired direction with the screwdriver supplied with the pistol; rotating it clockwise lowers the point of impact approximately 1 cm (0.39 inch) per click at a range of 25 meters (27.3 yards), rotating counterclockwise raises it the same amount per click.

#### Adjusting the windage

Rotate the windage adjusting screw located on the right side of the rear sight in the desired direction with the screwdriver supplied with the pistol. Rotating clockwise moves the shot to the right. Rotating counterclockwise moves the shot to the left. Each click shifts the point of impact approximately .5 cm (0.2 inch) to the left or the right at a range of 25 meters (27.3 yards).

#### Front target sight

The front target sight is mounted on the slide in a dovetail and does not require adjustment.

#### Elongated target slide & extended barrel

The additional length of the elongated target slide aids the balance of the USP Expert during target shooting. Together with the USP Expert's 5.20 inch hammer forged polygonal barrel, these components contribute to the high level of accuracy the pistol achieves. The high temperature rubber O-ring located towards the muzzle holds the barrel tightly in the slide during firing and enhances accuracy. Place a drop of lubricant on the barrel O-ring during cleaning and replace it by hand if/when necessary. Spare O-rings are provided with each new USP Expert pistol. Assembly and disassembly of the slide, barrel, and frame on the USP Expert is the same as other full-frame USP pistols (see pages 18-21 in this manual.)

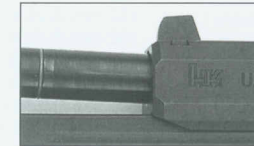


Figure 53  
O-ring on barrel

#### Extended floorplate magazine

The USP Expert pistol uses magazines with extended floorplates; providing a larger, and for many shooters, a more comfortable gripping area. It also protects the magazine if dropped and assists in the manual removal of the magazine in the event a stoppage occurs. This floorplate is removed and installed like the standard floorplate (see pages 21-24 in this manual. The use of an extended floorplate does not affect the magazine capacity. High-capacity models of the USP40 Expert have a special jet funnel feature on the grip.

#### Loaded chamber indicator

The extractor of the USP Expert pistol doubles as a loaded chamber indicator anytime either a live cartridge or an empty case is present in the chamber. A red painted portion of the extractor, or its protruding tactile feel, indicates the chamber is loaded.

Tools provided with the USP Expert include a 1.5 mm allen wrench for adjusting the trigger stop and a screwdriver for adjusting windage and elevation on the rear sight.





## SECTION 11 USP ELITE

A long slide model of the USP, the USP Elite combines features found on standard sized and specialized models of the USP series pistols including the following:

- match trigger parts
- adjustable trigger stop
- rear sight with micro-meter adjustment for windage & elevation
- front target sight
- hand fitted extended slide (9.45 inches) & barrel (6.20 inches) with O-ring
- extended floorplate on magazine (.45 only)
- loaded chamber indicator

### Adjustable trigger stop

The trigger stop for the USP Elite pistol is located on the trigger and limits the trigger travel immediately after the hammer has been released. It is adjusted by use of the 1.5 mm allen wrench that comes with the pistol. By turning the 1.5 mm set screw clockwise, the overtravel of the trigger can be reduced. Care must be exercised in making this adjustment as the screw can be adjusted far enough to prevent the proper operation of the double action and single action trigger.

### Rear sight

The USP Elite uses a micrometer rear target sight which is adjustable for windage and elevation. Using an appropriate screw driver, the rear sight can be precisely adjusted to align with the point of impact.

### Adjusting the elevation

Rotate the elevation adjusting screw on the top of the rear sight in the desired direction with the screwdriver supplied with the pistol; rotating it clockwise lowers the point of impact approximately 1 cm (0.39 inch) per click at a range of 25 meters (27.3 yards), rotating counterclockwise raises it the same amount per click.

### Adjusting the windage

Rotate the windage adjusting screw located on the right side of the rear sight in the desired direction with the screwdriver supplied with the pistol. Rotating clockwise moves the shot to the right. Rotating counterclockwise moves the shot to the left. Each click shifts the point of impact approximately .5 cm (0.2 inch) to the left or the right at a range of 25 meters (27.3 yards).

### Front target sight

The front target sight is mounted on the slide in a dovetail and does not require adjustment.

### Elongated target slide & extended barrel

The additional length of the elongated target slide aids the balance of the USP Elite during target shooting. Together with the USP Elite's 6.2 inch hammer forged polygonal barrel, these components contribute to the high level of accuracy the pistol achieves. The high temperature rubber O-ring located towards the muzzle holds the barrel tightly in the slide during firing and enhances accuracy. Place a drop of lubricant on the barrel O-ring during cleaning and replace it by hand if/when necessary. Spare O-rings are provided with each new USP Elite pistol. Assembly and disassembly of the slide, barrel, and frame on the USP Elite is the same as other full-frame USP pistols (see pages 18-21 in this manual.)

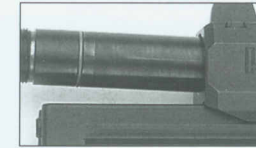


Figure 55  
O-ring on barrel

### Extended floorplate magazine

The USP Elite pistol uses magazines with extended floorplates; providing a larger, and for many shooters, a more comfortable gripping area. It also protects the magazine if dropped and assists in the manual removal of the magazine in the event a stoppage occurs. This floorplate is removed and installed like the standard floorplate (see pages 21-24 in this manual). The use of an extended floorplate does not affect the magazine capacity. High-capacity models of the USP Elite have a special jet funnel feature on the grip.

### Loaded chamber indicator

The extractor of the USP Elite pistol doubles as a loaded chamber indicator anytime either a live cartridge or an empty case is present in the chamber. A red painted portion of the extractor, or its protruding tactile feel, indicates the chamber is loaded.

Tools provided with the USP Elite include a 1.5 mm allen wrench for adjusting the trigger stop and a screwdriver for adjusting windage and elevation on the rear sight.

**USP ELITE .45ACP  
(9mm model similar)**



**USP ELITE SPECIFICATIONS**

Caliber	.45 ACP & 9 mm
Operating Principle	Short recoil
Action Type	Modified Browning type, linkless Modified Browning type, linkless
Sights	Rear micrometer adjustable for windage & elevation, high profile front sight
Total Length	240 mm (9.45 in.)
Barrel Length	153 mm (6.20 in.)
Sight Radius	153 mm (6.20 in.) 212 mm (8.35 in.)
Rate of Twist (one turn in)	212 mm (8.35 in.) 406 mm (15.98 in.) 380 mm (14.96 in.)
Height (Total)	147 mm (5.94 in.) 149 mm (5.87 in.)
Width	38 mm (1.50 in.) 39.5 mm (1.56 in.)
Weight (with empty magazine)	860 grams (30.34 oz.) 920 grams (32.45 oz.)
Weight of Empty Magazine	110 grams (3.88 oz.) 62 grams (2.17 oz.)
Trigger Travel (rest to hammer release)	
Single-action	6.3 mm (.25 in.) 6.3 mm (.25 in.)
Double-action	11.3 mm (.45 in.) 11.3 mm (.45 in.)
Trigger Reach (center of trigger to back of frame)	
Single-action	65 mm (2.56 in.) 65 mm (2.56 in.)
Double-action	75 mm (2.95 in.) 75 mm (2.95 in.)
Magazine Capacity	10 cartridges (Civilian)* 10 cartridges (Civilian)* (does not include cartridge in chamber)
Military)	12 cartridges (Law Enforcement and 18 cartridges (LE and Military)
Safety Features	
	1. Manual safety lever (Variants 1, 2, 5, 6, 9,10)
	2. Double-action mode with hammer intercept notch
	3. Firing pin block
	4. Disconnecter
	* Law Enforcement & Military only. Due to provisions of the 1994 Crime Bill, magazine capacity for U.S. civilian pistols is 10 cartridges.





**HECKLER & KOCH**

7661 Commerce Lane • Trussville, AL 35173

205.655.8299 • 205.655.7078 fax

[www.hk-usa.com](http://www.hk-usa.com)