



Model "D" .380 Pistol



LOADING: Each time you pick up the pistol, grasp the serrations on the rear of the slide between your thumb and forefinger. Draw the slide to the rear and check to *be sure* the chamber is empty. Even if you just removed the gun from its box for the first time, *never assume the gun is empty.*

Depress the magazine catch button and completely withdraw the magazine.

Holding the magazine upright in one hand, place a cartridge between the magazine lips and press downward. Repeat the operation until six (6) rounds have been loaded.

Insert the loaded magazine into the pistol grip as far as it will go. Draw the slide fully open, release, and allow it to snap forward.

THE GARCIA CORPORATION, SPORTING ARMS DIVISION
515 Kerby Hill Rd., Washington, D.C. 20022

The pistol is now loaded and cocked with a cartridge in the chamber—ready for firing.

NOTE: Most semi-automatic pistols, regardless of make or model, seem to operate best with the continued use of a single brand of ammunition. The F.I. model “D” is proof-tested for safety and test fired for proper functioning with Winchester-Western, Remington-Peters, and Federal Ammunition. The use of other ammunition is not recommended.

SAFETY MECHANISMS: A thumb safety is provided on the left side of the pistol frame. When pushed upward, the hammer and slide will be locked. In the down position a red mark indicates the pistol is ready for firing.

The Model “D” has an exposed hammer. In effect, this is a safety measure allowing the shooter to tell at a glance or touch that the hammer is cocked and the gun is ready for firing.

FIRING: Make certain the gun is pointing in a safe direction at all times. Being sure of your target and backstop, aim the pistol and squeeze the trigger.

The discharge of the cartridge will force the slide backward causing the fired cartridge to be extracted and the hammer to be re-cocked. The forward action of the slide strips a fresh cartridge from the magazine and guides it into the chamber. This is repeated as rapidly as the trigger is pressed until the magazine is empty. After the final round has been fired, the slide will remain open.

UNLOAD THE PISTOL: Remove the magazine. Eject the cartridge in the chamber by pulling the slide to the rear. Never assume the chamber is empty! Follow this procedure every time you are through shooting, and whenever the gun is to be stored.

DISASSEMBLE THE PISTOL

STEP #1 ALWAYS:

1. Check that the chamber is empty.
2. Remove the magazine.

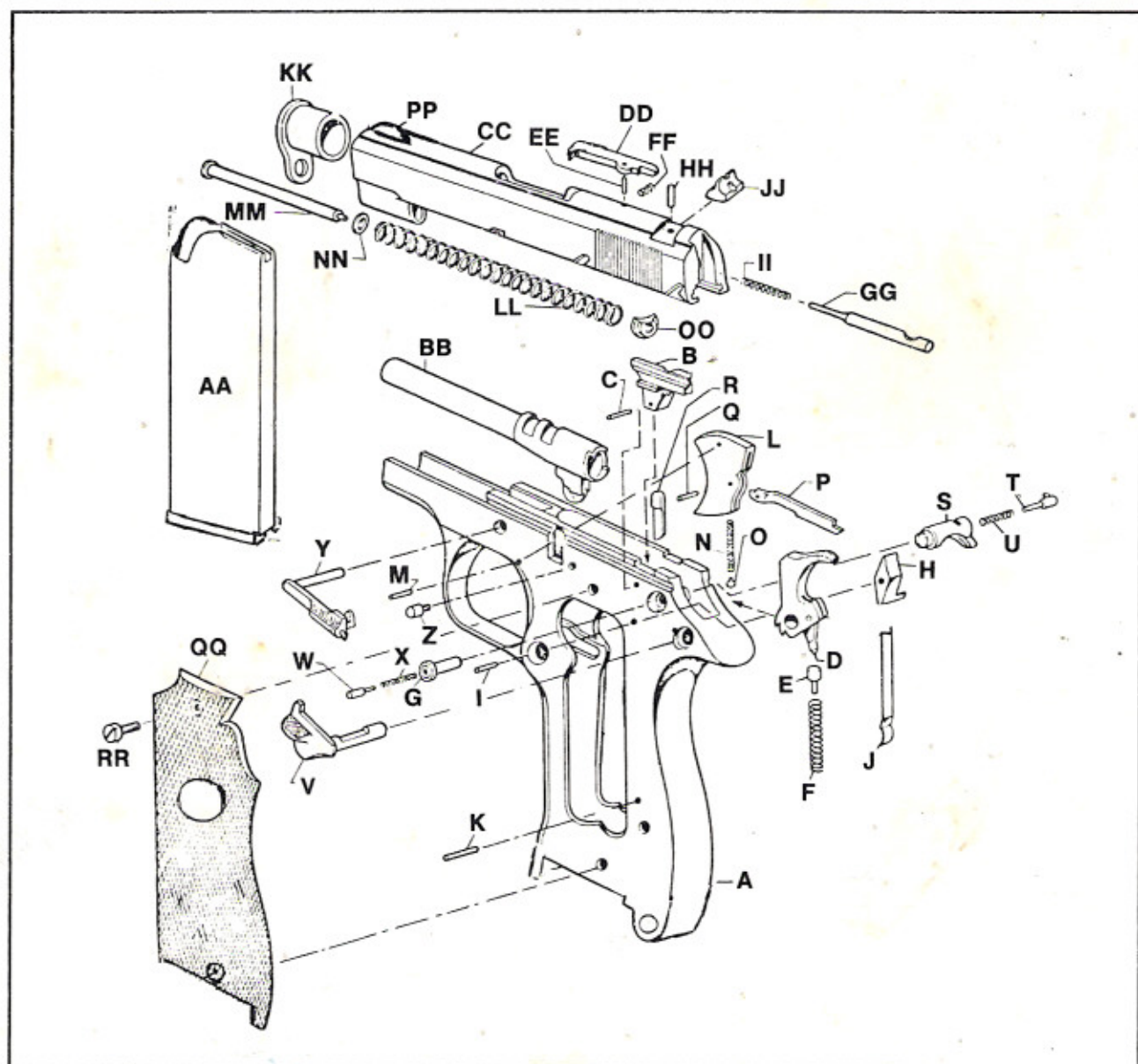
3. Cock the hammer.
4. Pull the slide to the rear. Holding it fully retracted, move the safety up into the front notch of the slide.
5. The end of the "slide stop" cam protrudes from the right side of the gun's frame just above the trigger guard. Press it in and withdraw the slide stop from the left side of the pistol.
6. Holding the slide firmly, lower the safety and guide the slide completely forward and off the frame.
7. Turn the barrel bushing completely counter-clock-wise to remove the recoil spring and its guide. Withdraw the barrel from the slide when tilting the link forward. Further disassembly to clean your Model "D" is not recommended.

REASSEMBLE THE PISTOL: Reassembly can be accomplished by reversing the procedures under disassembly. Take notice of these two points during reassembly:

- a) When replacing the recoil spring guide and the recoil spring, the half-moon notch of the recoil spring guide head must lie on the barrel.
- b) Be sure that the hole of the barrel link lines up with the hole on the frame from which the slide stop was removed.

PROPER CARE

1. All moving parts should be lightly oiled.
2. Clean the barrel and chamber after firing. (Residue in the chamber can result in misfires due to improper seating of the cartridge in the chamber.) Avoid cleaning from the muzzle end.
3. Wipe the exterior with a slightly oiled cloth. This will remove acidic finger marks and protect the finish.
4. Use only proper loads for which the gun was designed.
5. Avoid denting or otherwise damaging the magazine.



- | | |
|----------------------------------|---------------------------------------|
| A. Frame | X. Safety Plunger Spring |
| B. Ejector | Y. Slide Stop Assembly |
| C. Ejector Pin | Z. Slide Stop Detent |
| D. Hammer w/Strut and Pin | |
| E. Hammer Spring Plunger | |
| F. Hammer Spring | AA. Magazine Complete |
| G. Hammer Pin | BB. Barrel |
| H. Sear | CC. Slide |
| I. Sear Pin | DD. Extractor |
| J. Sear Spring | EE. Extractor Pin |
| K. Sear Spring Pin | FF. Extractor Spring |
| L. Trigger | GG. Firing Pin |
| M. Trigger Pin | HH. Firing Pin Retaining Pin |
| N. Trigger Plunger Spring | II. Firing Pin Spring |
| O. Trigger Plunger | JJ. Rear Sight Complete |
| P. Sear Bar | KK. Barrel Bushing |
| Q. Sear Bar Pin | LL. Recoil Spring |
| R. Interrupter | MM. Recoil Spring Guide |
| S. Magazine Catch | NN. Recoil Spring Guide Washer |
| T. Magazine Catch Lock | OO. Recoil Spring Guide Head |
| U. Magazine Catch Spring | PP. Front Sight |
| V. Safety | QQ. Grips (pair) |
| W. Safety Plunger | RR. Grip Screws (4) |

"LIMITED WARRANTY" GARCIA FIREARM

THIS WARRANTY HAS BEEN DRAFTED TO COMPLY WITH THE NEW FEDERAL LAW APPLICABLE TO PRODUCTS MANUFACTURED AFTER JULY 4, 1975. IT REPLACES THE WARRANTY INCLUDED ELSEWHERE IN THIS PACKAGE. THIS WARRANTY IN NO MANNER REDUCES THE COVERAGE PROVIDED TO YOU UNDER THE WARRANTY IT REPLACES, IF ANY.

The Garcia Corporation warrants that your Garcia Firearm was manufactured free of defects in materials or workmanship. For a period of one (1) year after purchase, we will repair or replace (with same or comparable quality model) your firearm, at our option, and without charge except for shipping costs, if we determine it to be of defective manufacture. If repair or replacement is not commercially practicable, we, at our option, may elect to refund your full purchase price, less reasonable depreciation for actual use.

THIS WARRANTY IS VOID IF THE FIREARM HAS BEEN ABUSED, MISUSED, DAMAGED BY ACCIDENT, FIRED WITH HAND LOADED OR IMPROPER AMMUNITION OR OBSTRUCTIONS IN THE BARREL, OR SUBJECTED TO UNAUTHORIZED ALTERATION, OR FAILURE TO PROVIDE REASONABLE AND NECESSARY MAINTENANCE.

This Warranty is valid only if the attached Warranty Registration Card is properly completed and returned within ten (10) days after purchase.

The terms of this Warranty cannot be changed except in writing by an officer of The Garcia Corporation.

If your Garcia Firearm should require service outside of the coverage of this Warranty, it will be serviced for the then current charges for parts and labor, plus shipping costs to and from a Garcia Authorized Gunsmith.

To make a Warranty claim or to request service, we suggest that you first take your firearm to your licensed firearms dealer who may assist you in shipping the firearm. It should be sent postage prepaid, to a Garcia Authorized Gunsmith. For details, see the accompanying service information. Wholesalers and dealers (unless a Garcia Authorized Gunsmith) are not authorized to make repairs or adjustments on behalf of Garcia.

In order to process any Warranty claim, you must include with your firearm, proof of date of purchase and a letter of explanation. Your correspondence should always refer to the specific make, model, caliber or gauge and serial number.

SEE CAUTIONS ON REVERSE SIDE

LCT

Executive Offices, The Garcia Corp., 329 Alfred Ave., Teaneck, N.J. 07666

CAUTION

PLEASE READ CAREFULLY BEFORE OPERATING FIREARM!

THE OWNERSHIP AND USE OF A FIREARM IS A RESPONSIBILITY NO ONE SHOULD TAKE LIGHTLY. MOST FIREARM ACCIDENTS WOULD NOT OCCUR IF THE FOLLOWING RULES WERE OBSERVED WITH ALL FIREARMS:

- 1) Consider every firearm loaded. Never point the muzzle at anything you do not intend to shoot.
- 2) Use the correct factory loaded ammunition of the type, gauge or caliber intended for the firearm. Handloads should be avoided.
- 3) If repairs are necessary or indicated, take or send your firearm to this company or a reputable gunsmith.
- 4) Make sure your barrel is always free from any obstruction, including mud, dirt, snow, grease, heavy oil, or foreign matter of any kind.
- 5) Always wear protective glasses when shooting or observing at close range.
- 6) When disassembling any firearm, be careful of springs which are retained under high tension and, on release, can cause personal injury.
- 7) When not actually in use, store unloaded guns and ammunition separately under lock and key.
- 8) Never climb a fence or tree or jump a ditch with a loaded gun. Never pull a gun toward you by the muzzle.
- 9) Be sure of your target before you shoot. Never use a hard flat surface or water as your backstop.
- 10) Never lend your gun to anyone until he is familiar with the above cautions.

AUTHORIZED IN-WARRANTY GUNSMITHS

BELL'S GUN & SPORT SHOP, INC.
3309 Mannheim, Franklin Park, Illinois 60131
Tel. (312) 678-1900

CALIFORNIA GUN SPECIALTIES
P.O. Box 188
17612 Avenue 232, Lindsay, California 93247
Tel. (209) 562-5141

LES FREER GUNSMITH
8928 Spring Branch Dr., Houston, Texas 77055
Tel. (713) 467-3016

THE GARCIA CORP., SPORTING ARMS DIV.
17801 Indian Head Hwy.
Accokeek, Maryland 20607
Tel. (301) 283-2191

GARFIELD GUNSMITHING COMPANY
237 Wessington Ave., Garfield, New Jersey 07026
Tel. (201) 478-0171

HOWARD'S GUN SHOP
528 Fifth Ave., Anchorage, Alaska 99501
Tel. (907) 272-4570

SIMMONS GUN SPECIALTIES, INC.
700 Rogers Road, Olathe, Kansas 66061
Tel. (913) 782-3131

SWANSON'S CUSTOM FIREARMS, LTD.
1051 Broadway, Denver, Colorado 80203
Tel. (303) 222-8905

WALKER ARMS COMPANY, INC.
824 B Everee Inn Road, Griffin, Georgia 30223
Tel. (404) 228-4223

WALKER ARMS CORPORATION
Route 2, Box 38, Selma, Alabama 36701
Tel. (205) 872-3888

WARSHAL'S SPORTING GOODS
1000 First Avenue, Seattle, Washington 98104
Tel. (206) 624-7300