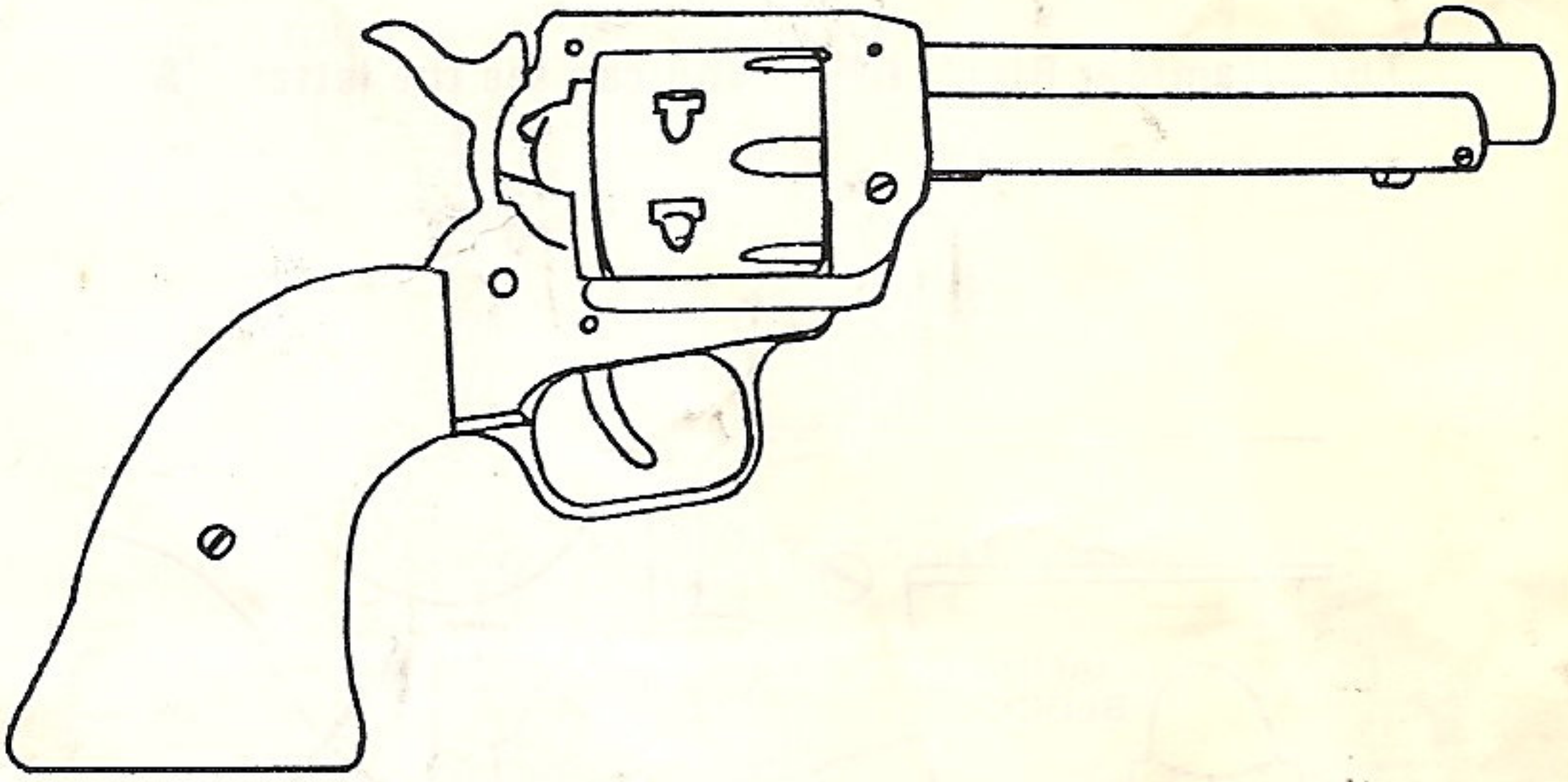


TEXAS RANGER

MODELS TEX-22 AND TEX-22 COMBO

SINGLE ACTION REVOLVER



HONESTLY NOW...

have you read this
Owner's Manual?

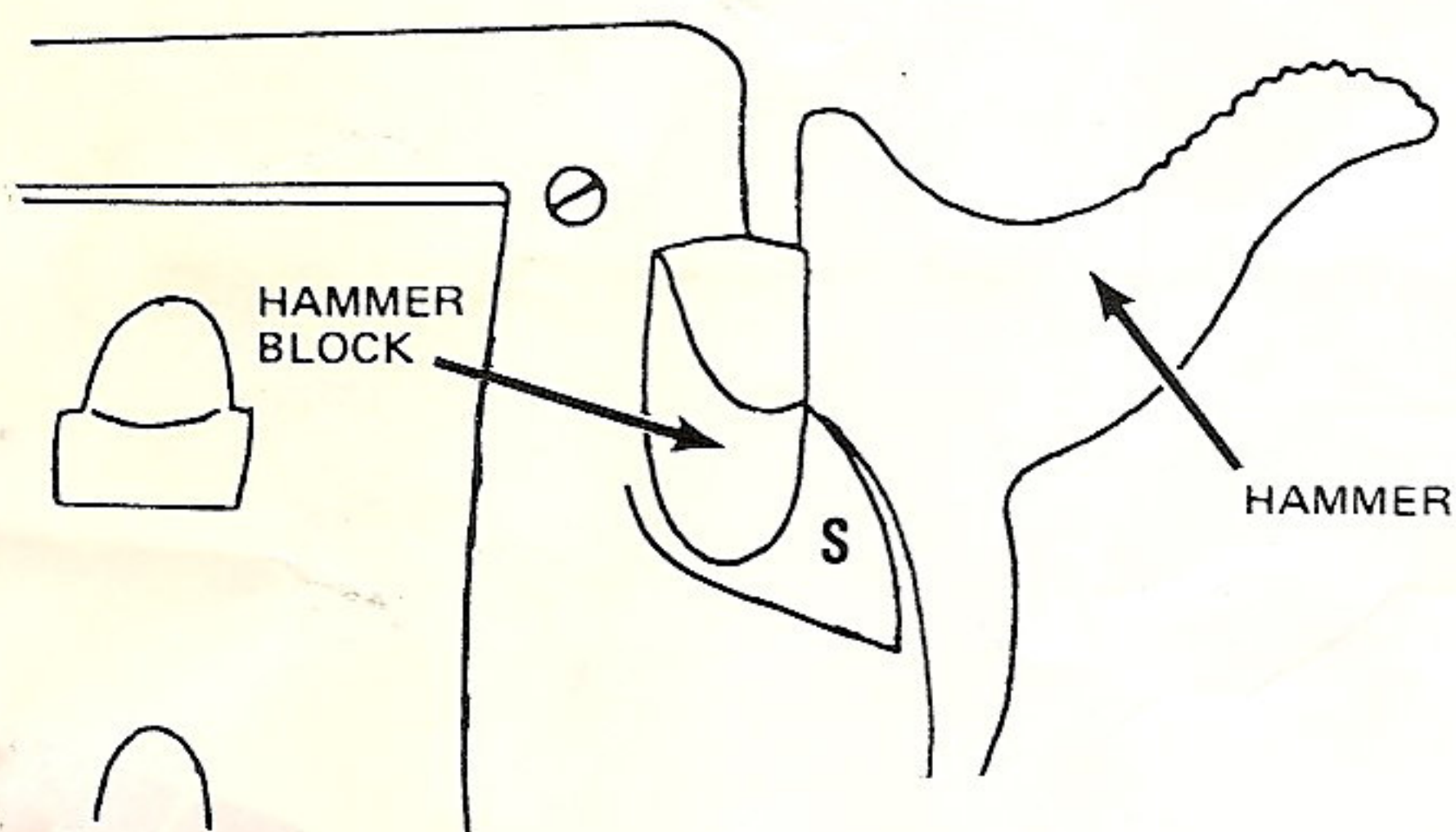
1

ALWAYS ENGAGE HAMMER BLOCK

Keep the unique FIE Hammer Block engaged all the time, except at the actual moment of firing.

Pull hammer back to the first notch.

Turn Hammer Block **UP** so you can see the letter "S".



Do not disengage Hammer Block until aiming at target, ready to shoot.

The Hammer Block does not interfere with any functions of the Revolver except the hammer's contact with the firing pin.

Dry firing is bad for this gun, whether the Hammer Block is engaged or not.

2

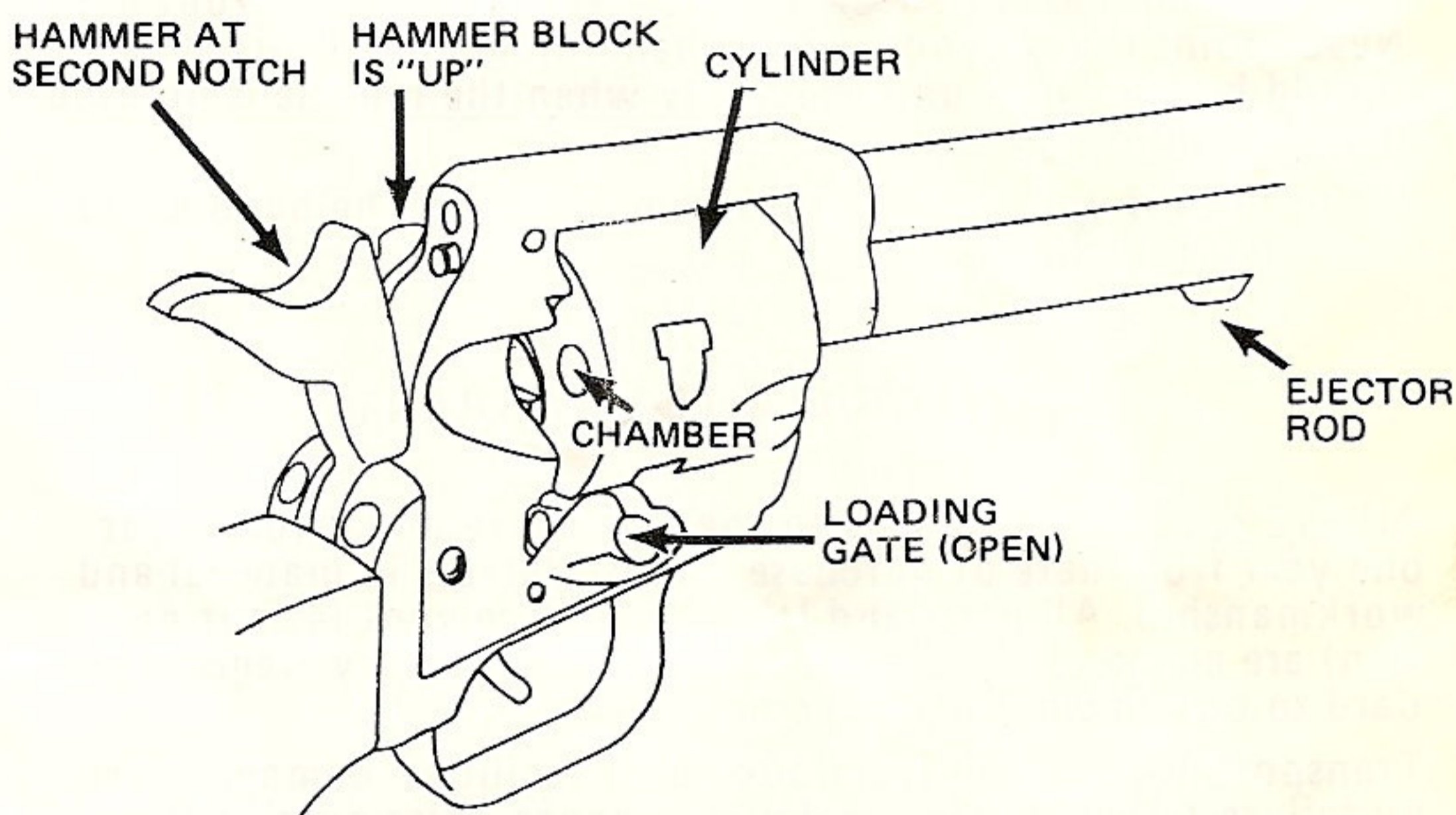
HOW TO LOAD

Keep the Hammer Block engaged.

Point gun **away** in a **safe direction**.

Pull hammer back to second notch.
(Cylinder will rotate freely.)

Swing the loading gate out and down to open.



DO NOT EVER carry a live round (loaded cartridge) in the chamber lined up with the hammer—firing pin—barrel, even if the Hammer Block is engaged. Keeping an empty chamber in line with the firing pin is good insurance against any kind of accidental firing.

LOADING TIP

One way to load your revolver and finish with an empty chamber lined up with the firing pin is to load one chamber **but not the next one**, then load the other four chambers (load one, skip one, load four), close loading gate and pull hammer all the way back with a brisk, smooth stroke. Then **controlling the hammer very carefully with your thumb** squeeze the trigger and let the hammer down gently to the first notch position.

If you do not understand this procedure ask your firearms instructor to explain it to you.

3

HOW TO COCK AND FIRE

Keep the Hammer Block engaged.

Keep your finger off the trigger and out of the trigger guard.

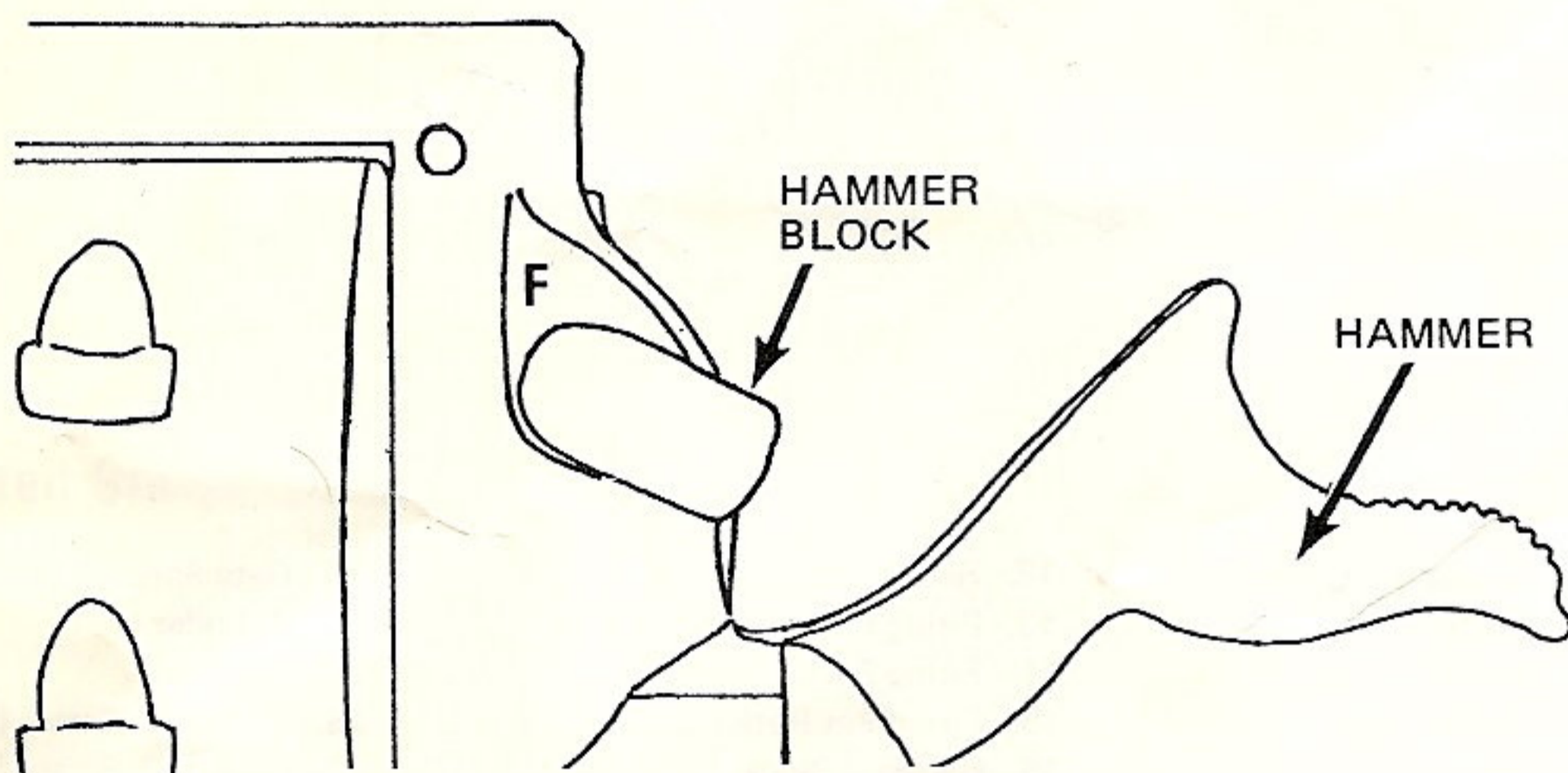
Pull hammer all the way back with a brisk, smooth stroke.

Point revolver at the target area.

Turn Hammer Block **DOWN** to disengage, so the letter "F" shows.

Aim. **(Be sure of the target and backstop.)**

Put your finger on the trigger and squeeze.



"Quick-draw" and "fanning" the hammer are dangerous to you and others, and abusive for your gun.

Never "quick-draw" a loaded revolver.

"Fanning" the hammer will void the warranty.

REVOLVERS HAVE "SIDE BLAST" or "CYLINDER BLAST," hot gasses and particles escaping at high speeds to the sides of the gun from the clearance gap between the cylinder and barrel. Keep people behind and away from you and keep your hands and body clear of the sides of the revolver when firing.

4

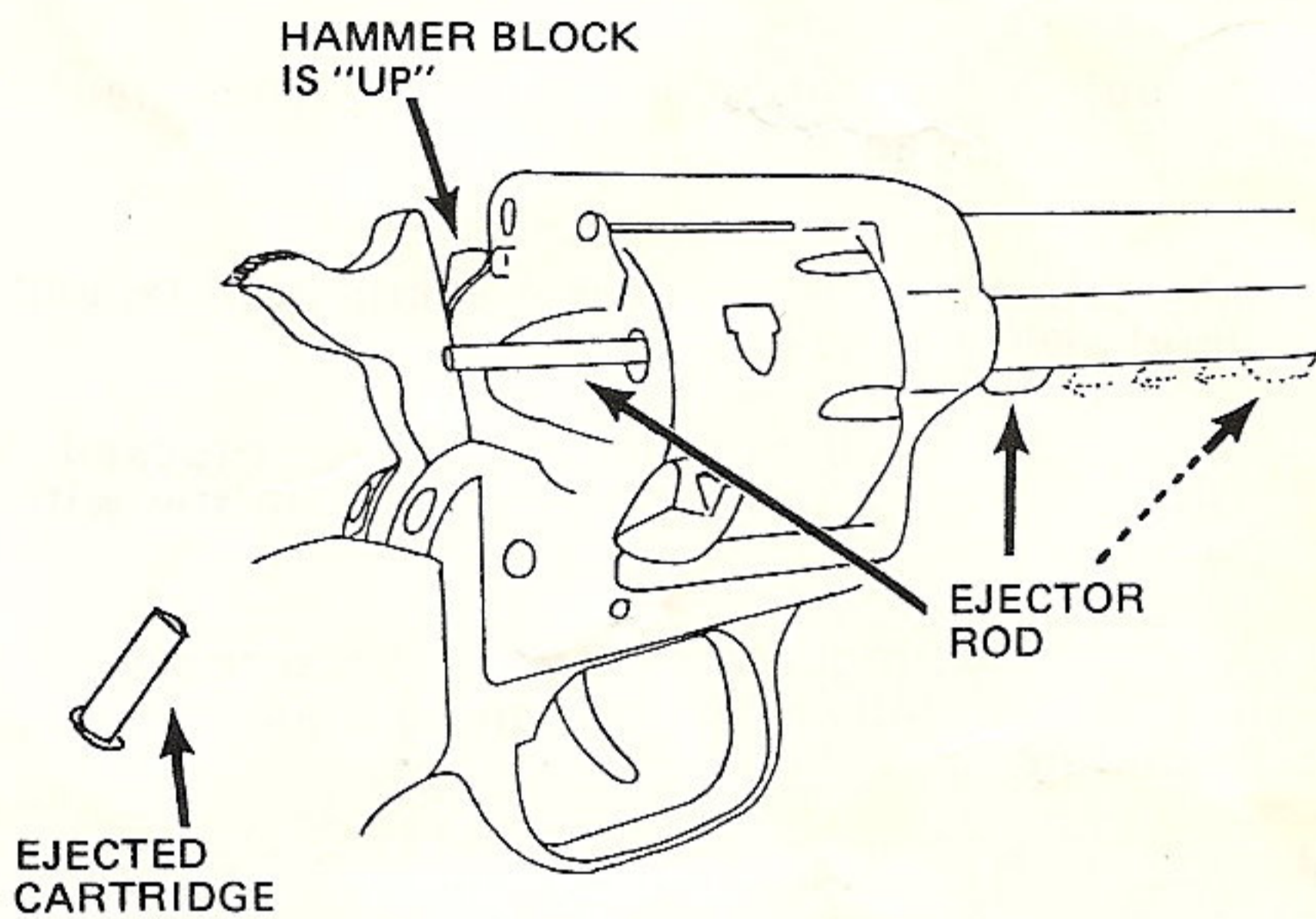
HOW TO UNLOAD

Keep the Hammer Block engaged.

Point gun **away** in a **safe direction**.

Pull hammer back to second notch.
(Cylinder will rotate freely.)

Open loading gate.



Line up chamber with ejector rod, push ejector rod back through chamber to push out cartridge.

Do not let loaded cartridges drop to the floor or ground. Rimfire ammo may go off and injure you or others if dropped.

Return ejector rod to its forward position, turn cylinder one click and repeat until cylinder is empty. Then return hammer to its first notch position.

ammunition

MODEL TEX-22—All .22 short, long and Long Rifle rim-fire ammunition, standard velocity, high velocity, hyper-velocity or shotshells.

MODEL TEX-22 COMBO—With .22 LR cylinder, same as above. With .22 Magnum cylinder use only .22 WMR (Winchester Magnum Rimfire) ammunition.

5

HOW TO CHANGE CYLINDERS IN THE TEX-22 COMBO

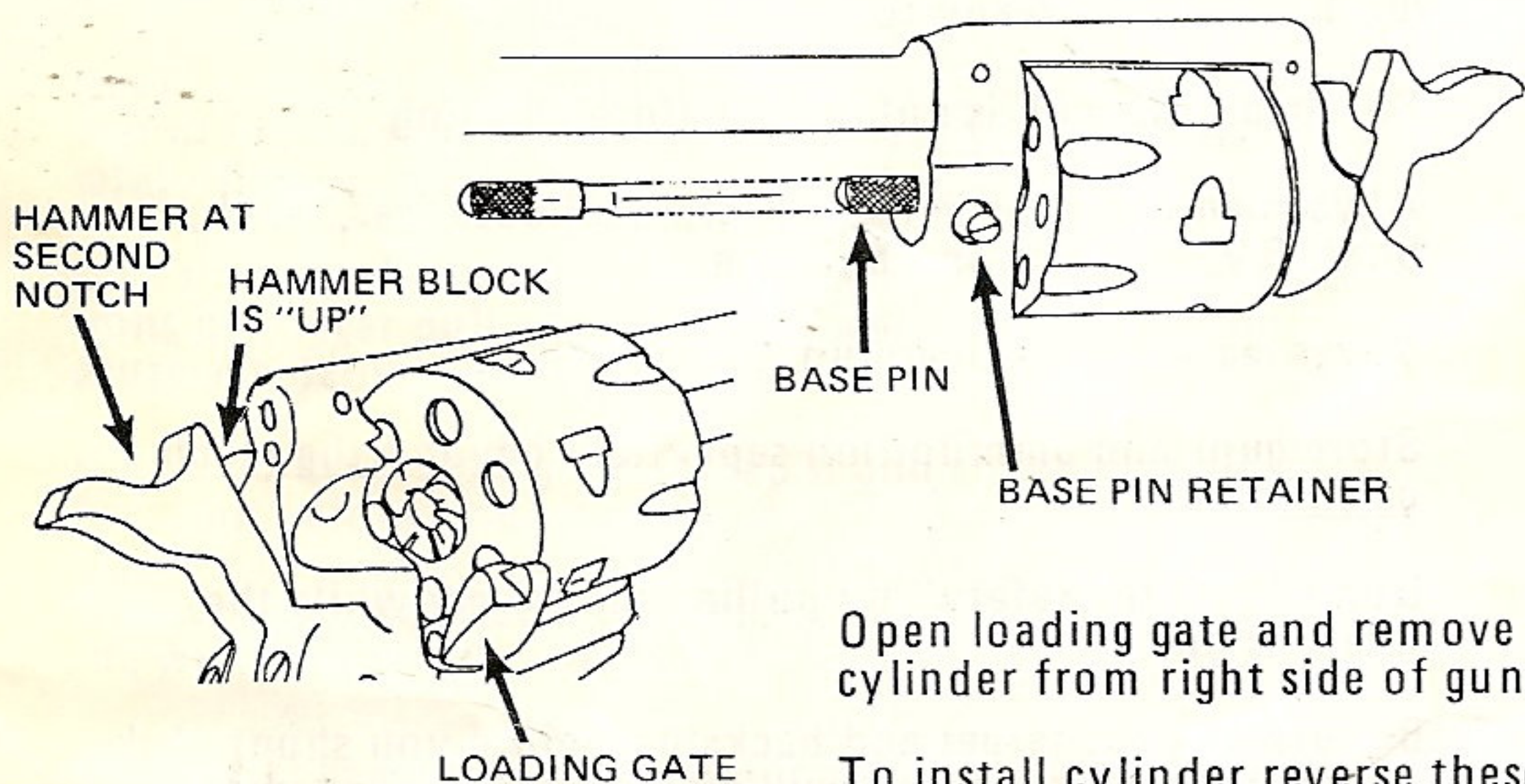
Keep the Hammer Block engaged.

Pull hammer back to second notch (cylinder will rotate freely).

Check every chamber to be sure revolver is completely unloaded.

Press base pin retainer on left side.

Pull base pin forward out of revolver.



Open loading gate and remove cylinder from right side of gun.

To install cylinder reverse these steps.

Before loading, test base pin by pulling it forward without pressing base pin retainer. If installed correctly you should not be able to pull it out.

Never remove or install a loaded cylinder. If dropped or struck a blow the cartridges can fire.

EVERY CYLINDER IS HAND FITTED AND TIMED TO THE REVOLVER IT COMES WITH. BOTH TEX-22 COMBO CYLINDERS HAVE BEEN HAND FITTED TO YOUR GUN. IF YOU BUY A NEW CYLINDER OR WANT TO ADD A .22 MAGNUM CYLINDER TO THE SINGLE CYLINDER TEX-22 IT MUST BE FITTED AND TIMED BY A COMPETENT GUNSMITH TO ENSURE PROPER CYLINDER-BARREL ALIGNMENT. IMPROPER USE OR ABUSE CAN CAUSE EXCESSIVE WEAR AND IMPROPER ALIGNMENT. SEE INSTRUCTIONS, SECTION 3.

WARNINGS

READ THIS AND BE A SAFE SHOOTER

Never point a gun at any person or thing you don't intend to shoot.

Treat every gun as if it is loaded...all the time.

Get instructions from a competent firearms instructor before using any gun.

Never rely on a gun's "safety" to protect you from unsafe gun handling. A safety is only a mechanical device, not a substitute for common sense.

Keep your finger off the trigger until you are actually aiming at the target ready to shoot.

Be certain the gun is unloaded before cleaning.

Always empty guns before entering a house, car, truck, boat, RV, camp or any building.

Never leave a loaded gun unattended.

Store guns and ammunition separately beyond the reach of children.

Don't "test the safety" by pulling the trigger while the safety is on.

Be sure of your target and backstop before you shoot. Ask yourself what your bullet will hit if it misses the target.

Be sure the barrel is clear of obstruction before shooting.

Guns and alcohol or drugs don't mix. Don't take them before or during shooting activities.

Never pull a gun towards you by the muzzle. Don't climb a tree or cross a fence or ditch with a loaded gun.

Load and unload with the muzzle pointed in a safe direction.

If a gun fails to fire when trigger is pulled, keep it pointed at target for at least 30 seconds. Sometimes slow primer ignition will cause a "hang fire" and the cartridge will go off after a short pause.

Never shoot at hard flat surfaces or water...bullets will ricochet.

When receiving a gun always open the action and check that it's unloaded.

Never put your hand over the muzzle of a gun.

WARNINGS

READ THIS AND BE A SAFE SHOOTER

Never leave a gun where it could fall and fire.

Check ammo to be sure it is the right size and caliber.

Old or reloaded ammo may be dangerous. We recommend against using it.

Spectators should be 10 feet behind and away from the shooter while loading, firing and unloading.

Load the gun only when on the range preparing to fire, and unload it before leaving the range.

Never carry any handgun in your pocket, purse or tucked in a belt or waistband. Use a pistol case or a proper holster with safety flap or strap.

Don't try to change your gun's trigger pull, because alterations of trigger pull usually affect sear engagement and may cause accidental firing.

If you do drop your gun, unload it and check it for proper function before using it again.

Always wear fluorescent orange vest, hat or jacket when in the woods or fields.

Check all chambers in cylinder after firing, to make sure that all cartridges have fired.

Never "HORSEPLAY" with a revolver. Quick draw and hammer "fanning" are dangerous for you and abusive for your gun.

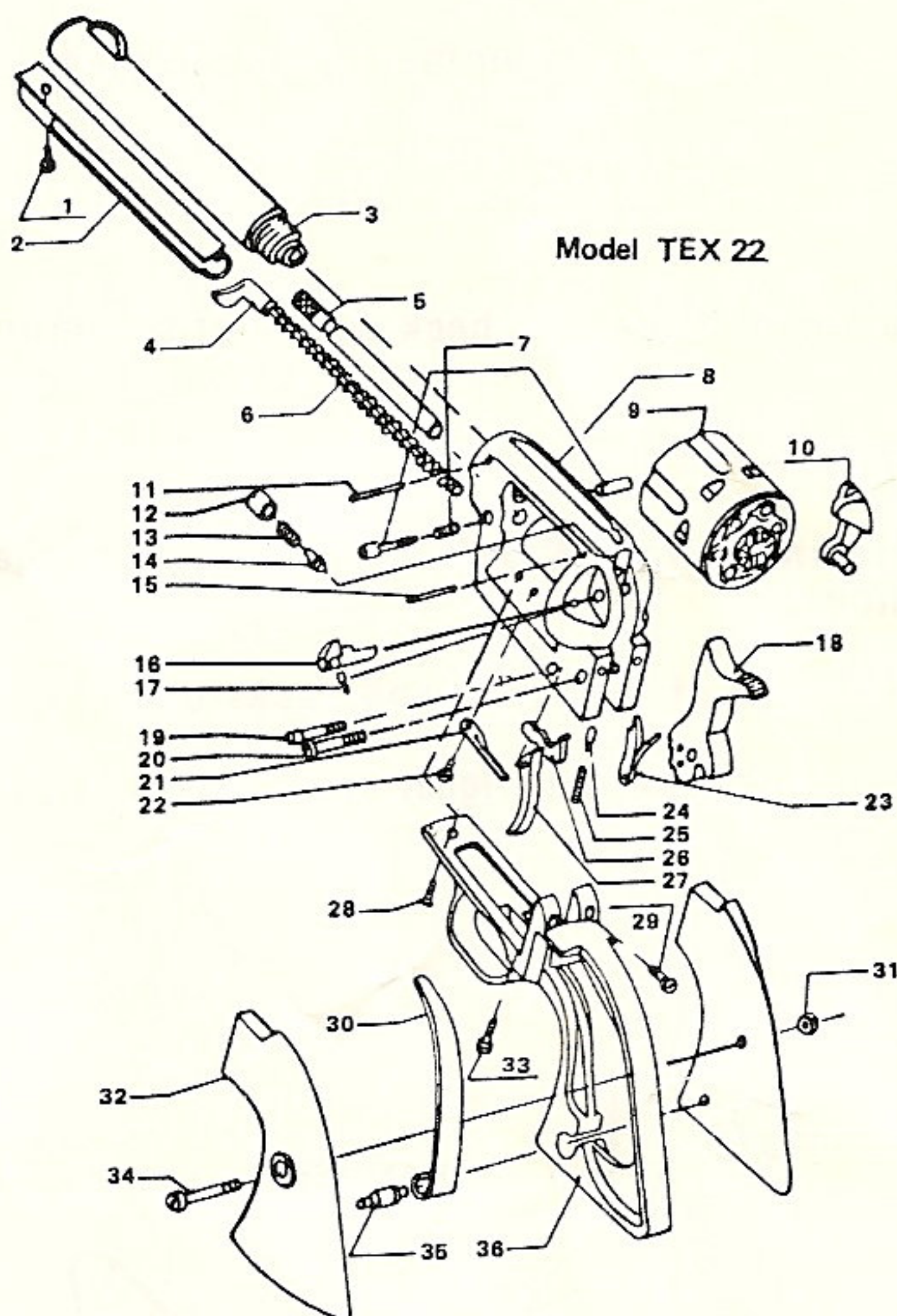
Many ammunition identifications sound similar. Make sure you do not use wrong size ammo in your revolver.

Write to us concerning any items or circumstances which you don't understand and which might relate to your safety and the operation of any of our products.



FIE CORP.—4541 NW 133rd St., Opa-Locka, FL 33054

EXPLODED VIEW DRAWING



PARTS LIST

- | | | |
|---|------------------------------|------------------------------|
| 1. Ejector Tube Screw | 12. Recoil Cup | 25. Gate Spring |
| 2. Ejector Tube | 13. Firing Pin Spring | 26. Cylinder Bolt |
| 3. Barrel | 14. Firing Pin | 27. Trigger |
| 4. Ejector Rod | 15. Firing Pin Retention Pin | 28. Backstrap Screw (Front) |
| 5. Base Pin | 16. Hammer Block | 29. Backstrap Screw (Top) |
| 6. Ejector Spring | 17. Plunger & Spring | 30. Mainspring |
| 7. Base Pin Spring Nut, Screw Assembly | 18. Hammer | 31. Grip Nut |
| 8. Frame | 19. Bolt & Trigger Screw | 32. Grip, Pair |
| 9. Cylinder | 20. Hammer Screw | 33. Backstrap Screw (Bottom) |
| 10. Gate | 21. Bolt & Trigger Spring | 34. Grip Screw |
| 11. Barrel Pin | 22. Bolt Spring Screw | 35. Grip Pin |
| | 23. Hand & Post | 36. Backstrap |
| | 24. Gate Detent | |

WARNING

THIS GUN WAS MANUFACTURED TO PERFORM PROPERLY WITH THE ORIGINAL PARTS AS DESIGNED. IT IS YOUR DUTY TO MAKE SURE ANY PARTS YOU BUY ARE INSTALLED CORRECTLY AND THAT NEITHER REPLACEMENTS NOR ORIGINALS ARE ALTERED OR CHANGED. YOUR GUN IS A COMPLEX TOOL WITH MANY PARTS THAT MUST RELATE CORRECTLY TO OTHER PARTS. PUTTING A GUN TOGETHER WRONG OR WITH MODIFIED PARTS CAN RESULT IN A DAMAGED GUN, DANGER, AND INJURY OR DEATH TO YOU AND OTHERS THROUGH MALFUNCTION. ALWAYS LET A QUALIFIED GUNSMITH WORK ON YOUR GUN OR AT LEAST CHECK ANY WORK NOT PERFORMED BY A GUNSMITH. WE AT FIE THINK THIS IS A SMALL PRICE TO PAY FOR FIREARMS SAFETY.

STATEMENT OF OUR POLICY

We do our best to build dependable, safe, modern, sensibly priced guns. We use methods and materials in keeping with the best manufacturing technology. We handcraft many parts of our guns where mass production would not provide finishes or actions in accordance with our standards. Our handguns are tested, cleaned and oiled prior to shipment. We maintain a continuing interest in our guns after they are sold.

The enclosed factory registration card should be filled out and returned to us as soon as possible. Only by having this card back in our files, can we continue to be of service to you.

You have purchased a good gun. Use it carefully. Become familiar with it by getting competent instruction in shooting, cleaning and maintenance. Use the safety features in your gun. Never point it at anyone, even when unloaded. All firearms should be loaded or unloaded only when the muzzle is pointed in a safe direction.

Write to us if you have any problem which can be handled by our factory technicians.

ONE YEAR LIMITED WARRANTY

All FIE guns are warranted to the original retail customer for one year from date of purchase against defects in material and workmanship. All parts and labor or replacement (at our option) are covered. YOU must send in your Factory Registration Card to obtain warranty coverage.

Transportation to and from our repair facilities, damage caused by failure to perform normal maintenance, sales outside the United States, damage due to use of high velocity, high pressure, reloaded or other nonstandard ammunition, or any unauthorized repair, modification, misuse, abuse, including abuse by "fanning" the hammer, or alteration of the product is not covered by this Limited Warranty. Any implied warranties, including the implied warranties of merchantability and fitness for a particular purpose, are limited to one year from date of original retail purchase. Consequential or incidental damages or expenses, or any other expenses are not covered by this warranty.

To obtain warranty performance send your product with proof of retail purchase, freight prepaid, to: FIE Corporation, 4541 N.W. 133rd Street, Opa-Locka, Florida 33054.

YOUR OWNER'S MANUAL

This manual contains important warnings which must be understood BEFORE using this firearm. Always keep it with the firearm.

When you lend, give or sell the firearm, be sure the manual goes with it. You can get a copy of this manual from FIE on request.