

GR-8

FOURTEEN SHOT .22 LONG RIFLE

NYLON
SEMIAUTOMATIC
RIFLE



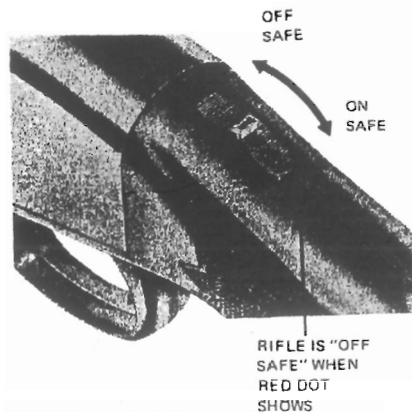
HONESTLY NOW...

have you read this Owner's Manual ?

1 ALWAYS USE THE SAFETY

Engage safety by pulling it back with thumb to cover the red dot. Push safety forward, so red dot shows, for "off safe".

Keep the rifle "on safe" all the time, except at the actual moment of firing, to help protect against accidental firing and possible injury or death of yourself or others.



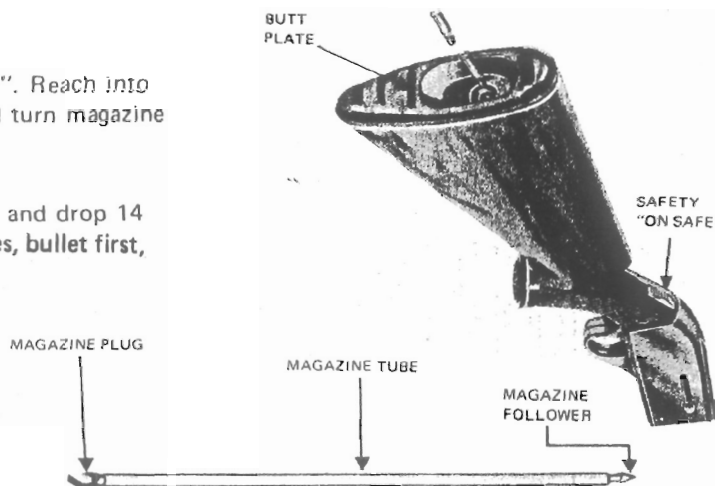
The safety is not a substitute for safe gun handling. You are this gun's main safety.

2 HOW TO LOAD

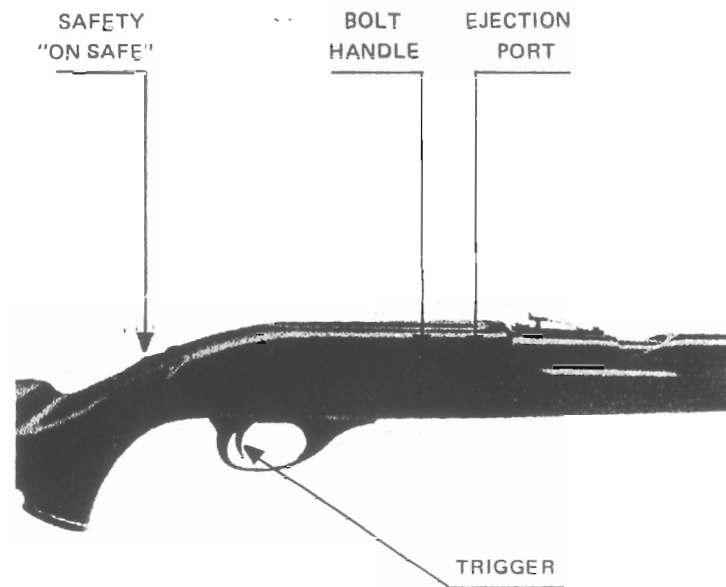
Put the safety "on safe". Reach into recess in butt plate and turn magazine plug to unlock.

Pull magazine tube out and drop 14 .22 Long Rifle cartridges, bullet first, into stock.

Push magazine tube back into stock and turn clockwise to lock.



3 HOW TO FIRE



Put the rifle "on safe" and point it in a safe direction.

Pull the bolt handle all the way back and release it.

The rifle is now loaded and cocked.

Choose your target carefully. Be sure there is a safe backstop. **THINK!**

What will you **HIT** if you **MISS** the target?

Push the safety forward to "off safe" so red dot is showing.

Aim and squeeze the trigger to fire.

The semiautomatic action will eject the empty cartridge, cock the rifle, and load a live cartridge so you may keep firing by repeated trigger squeezes.

As soon as you stop firing pull the safety back to "on safe".

4 HOW TO UNLOAD

Put the safety "on safe" and point rifle down.
 Unlock the magazine plug in the recess of the butt plate.
 Pull out the magazine tube.
 Carefully empty cartridges out into your hand or onto a soft surface by pointing the rifle upwards.

WARNING:
WARNING:

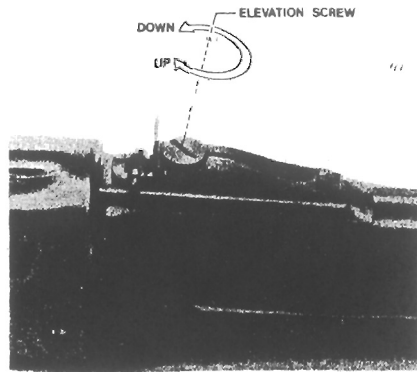
Live cartridges may fire if dropped. Be careful.
 There is still a live cartridge in the chamber of the barrel ready to fire. With safety "on safe" pull the bolt handle back all the way to get the live cartridge out of the rifle. Be sure it drops into your hand or onto a soft surface to avoid danger of accidental firing.

CHECK TO BE SURE

rifle is unloaded by looking into the open ejection port.
 You should see no cartridge in the chamber and the colored magazine follower in the loading area.

SIGHT ADJUSTMENT

Move the rear sight in the same direction you want the bullet impact to move on target. Raising the sight moves impact up.
 Moving sight left moves impact left.



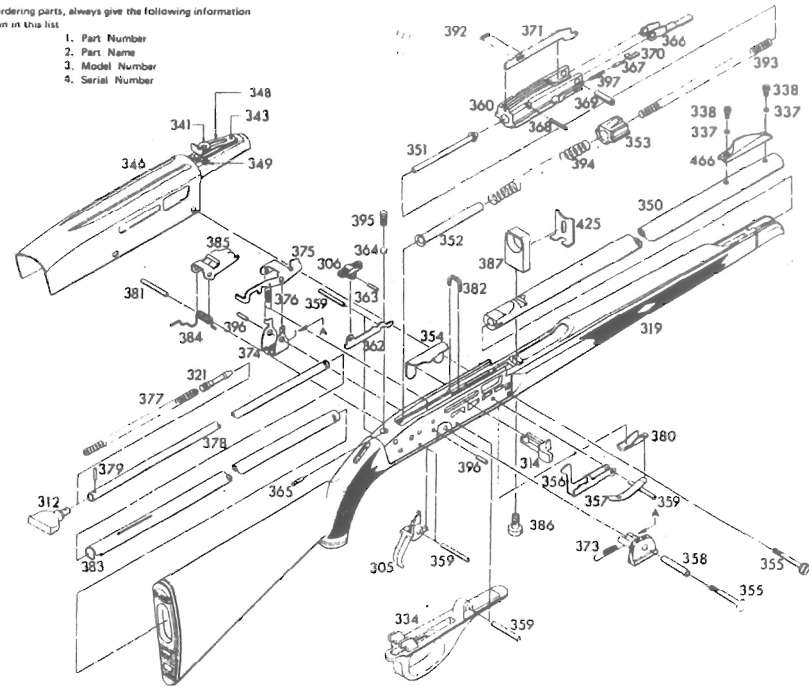
SPECIFICATIONS

Action: Semiautomatic
 Caliber: .22 Long Rifle only
 Magazine: Tubular through buttstock
 Capacity: 14 .22 Long Rifle cartridges
 Barrel: 19 1/2" precision rifled
 Stock: One piece structural Nylon with checkered grip and forend.
 Sights: Ramp front, adjustable rear
 Receiver: Grooved for telescopic sight
 Weight: 4 pounds

EXPLODED VIEW DRAWING

When ordering parts, always give the following information as shown in this list

1. Part Number
2. Part Name
3. Model Number
4. Serial Number



PARTS LIST

305 Trigger Complete	356 Cartridge Stop	376 Trigger Spring
306 Safety	357 Cartridge Stop Spring	377 Magazine Spring
312 Magazine Plug	358 Rear Cover Screw Bushing	378 Inner Magazine Tube
314 Bolt Handle	359 Cartridge Stop, Safety Lever	379 Magazine Pin
319 Stock Assembly	Cam, Trigger Assembly and	380 Cartridge Feed Insert
321 Magazine Follower	Trigger Guard Assembly Pins	381 Sear Assembly Pin
324 Trigger Guard	Bolt	382 Magazine Lock
337 Front Sight Washer	360 Bolt	383 Outer Magazine Tube
338 Front Sight Screw	362 Safety Lever	384 Sear Spring
341 Elevation Screw	363 Safety Lever Pin	385 Sear
343 Rear Sight Rivet	364 Safety Detent Ball	386 Barrel Lock Screw
346 Receiver Cover	365 Safety Detent Retaining Pin	387 Barrel Bracket
348 Rear Sight	366 Cartridge Feed Guide	392 Firing Pin Retractor Spring
349 Windage Screw	367 Extractor Plunger	393 Action Spring
350 Barrel	368 Firing Pin Retaining Pin	394 Firing Pin Striker Spring
351 Action Spring Plunger	369 Firing Pin Stop Pin	395 Safety Detent Spring
352 Striker Spring Sleeve	370 Extractor	396 Disconnecter Pivot Pin
353 Firing Pin Striker	371 Firing Pin	397 Extractor Spring
354 Ejector	373 Disconnecter Pivot Spring	425 Barrel Support
355 Cover Screw	374 Disconnecter Pivot	466 Front Sight
	375 Disconnecter	

WARNING

THIS GUN WAS MANUFACTURED TO PERFORM PROPERLY WITH THE ORIGINAL PARTS AS DESIGNED. IT IS YOUR DUTY TO MAKE SURE ANY PARTS YOU BUY ARE INSTALLED CORRECTLY AND THAT NEITHER REPLACEMENTS NOR ORIGINALS ARE ALTERED OR CHANGED. YOUR GUN IS A COMPLEX TOOL WITH MANY PARTS THAT MUST RELATE CORRECTLY TO OTHER PARTS. PUTTING A GUN TOGETHER WRONG OR WITH MODIFIED PARTS CAN RESULT IN A DAMAGED GUN, DANGER, AND INJURY OR DEATH TO YOU AND OTHERS THROUGH MALFUNCTION. ALWAYS LET A QUALIFIED GUNSMITH WORK ON YOUR GUN OR AT LEAST CHECK ANY WORK NOT PERFORMED BY A GUNSMITH. WE AT FIE THINK THIS IS A SMALL PRICE TO PAY FOR FIREARMS SAFETY.

WARNINGS

READ THIS AND BE A SAFE SHOOTER

Never point a gun at any person or thing you don't intend to shoot.

Treat every gun as if it is loaded... all the time.

Always load your gun only when on the range or in the field and ready to shoot. When you stop shooting, unload before leaving the field or range.

Get instructions from a competent firearms instructor before using any gun.

Never rely on a gun's "safety" to protect you from unsafe gun handling.

A safety is only a mechanical device, not a substitute for common sense.

Keep your finger off the trigger until you are actually aiming at the target ready to shoot.

Be certain the gun is unloaded before cleaning.

Always empty guns before entering a house, car, truck, boat, RV, camp or any building.

Never leave a loaded gun unattended.

Store guns and ammunition separately beyond the reach of children.

Don't "test the safety" by pulling the trigger while the safety is on.

Be sure of your target and backstop before you shoot. Ask yourself what your bullet will hit if it misses the target.

Be sure the barrel is clear of obstruction before shooting.

Guns and alcohol or drugs don't mix. Don't take them before or during shooting activities.

Never pull a gun towards you by the muzzle. Don't climb a tree or cross a fence or ditch with a loaded gun.

Load and unload with the muzzle pointed in a safe direction.

If a gun fails to fire when trigger is pulled, keep it pointed at target for at least 30 seconds. Sometimes slow primer ignition will cause a "hang fire" and the cartridge will go off after a short pause.

Never shoot at hard flat surfaces or water... bullets will ricochet.

REMEMBER - A .22 Long Rifle bullet can travel 1 1/2 miles or more depending on the gun, ammunition, angle of the shot and other factors. BE CAREFUL.

WARNINGS

READ THIS AND BE A SAFE SHOOTER

Don't "horseplay" with a gun.

Your gun can't think... but you can.

Firearms safety depends on you.

Never leave a gun where it could fall and fire.

Check ammo to be sure it is the right size and caliber.

Old ammo may be dangerous. We recommend against using it.

Spectators should be 10 feet behind and away from the shooter while loading, firing and unloading.

Always wear protective shooting glasses when shooting on the range or in a field or forest.

Don't try to change your gun's trigger pull, because alterations of trigger pull usually affect sear engagement and may cause accidental firing.

If you do drop your gun, unload it and check it for proper function before using it again.

Always wear a fluorescent orange vest, hat or jacket when in the woods or fields.

Never let water, snow, mud or other material enter barrel.

If anything does get into barrel, remove cartridges and clean bore immediately before attempting to shoot. Obstructed barrels can burst and injure you or bystanders.

Many ammunition identifications sound similar. Make sure you do not use wrong size ammo in your gun.

When receiving a gun always open the action and check that it's unloaded. Never put your hand over the muzzle of a gun.

Do not let a gun rest on or against a tree, fence, rock, wall or any other place where it could tip over or fall and fire.

Open rifle sights, sometimes called field sights, are suitable for most general shooting but not ideal for precision target shooting.

ONE YEAR LIMITED WARRANTY

All products marketed by FIE are warranted to the original retail customer for one year from date of purchase against defects in material and workmanship. All parts and labor or replacement (at our option) are covered. YOU must send in your Factory Registration Card to obtain warranty coverage.

Transportation, to and from our repair facilities, damage caused by failure to perform normal maintenance, sales outside the United States, damage due to use of high velocity, high pressure, reloaded or other nonstandard ammunition, or any unauthorized repair, modification, misuse, abuse, or alteration of the product is not covered by this Limited Warranty. Any implied warranties, including the implied warranties of merchantability and fitness for a particular purpose, are limited to one year from date of original retail purchase. Consequential or incidental damages or expenses, or any other expenses are not covered by this warranty.

To obtain warranty performance send your product with proof of retail purchase, freight prepaid, to: FIE Corporation, 4541 N.W. 133 rd Stret, Opa-Locka, Florida 33054.

HOME GUN SAFETY IS PROBABLY YOUR BIGGEST CONCERN.

A good, inexpensive gun lock kit that works for just about any firearm (rifle, pistol and shotgun) or airgun, yet is instantly removable by an adult, is made by Agapé Gun Lock, Inc. Box 11, Bolmont, Michigan 49306. FIE has tested them and we recommend them. After all, you have invested this much in your new gun. Now invest a little more in your children's safety.

YOUR OWNER'S MANUAL

The manual contains important warnings which must be understood BEFORE using this firearm. Always keep it with the firearm.

When you lend, give or sell the firearm, be sure the manual goes with it. You can get a copy of the manual from FIE on request.

Write to us concerning any items or circumstances which you don't understand and which might relate to your safety and the operation of any of our products.



