

INFORMATION ABOUT YOUR F.I.E. MODEL A27 PISTOL

Caliber .25
Barrel Length 2½" (57mm)
Weight Unloaded 13½ oz.
Magazine Capacity 6 Shot

The A27 pistol has a thumb safety and magazine safety. When the thumb safety is in the "safe" position with the letter "S" showing, the action of the pistol is literally frozen and the gun cannot be fired...the magazine safety is a built-in safety device which makes it impossible to fire the pistol if the magazine is not in place.

Do not clean your A27 with strong chemicals,,,a bristle brush and a good quality light gun oil and a clean soft cloth are all that you need to routinely maintain your pistol.

To disassemble your pistol the following steps should be followed:

1. Remove the magazine and inspect the pistol to make sure that the chamber is empty.
2. Move the thumb safety into safe position. Draw the slide to the rear. The hook on the thumb safety will engage the notch on the side of the slide. The slide will remain open.
3. Hold the pistol in the left hand and turn the barrel ½ turn to the right. This will loosen the barrel from the frame. Draw the barrel forward and turn it ½ turn to the left. Remove the barrel from the slide.
4. Release the thumb safety and move the slide forward until it is free from the frame.

The above four steps constitute all the disassembly necessary in order to clean, oil and maintain your F.I.E. A27 pistol.

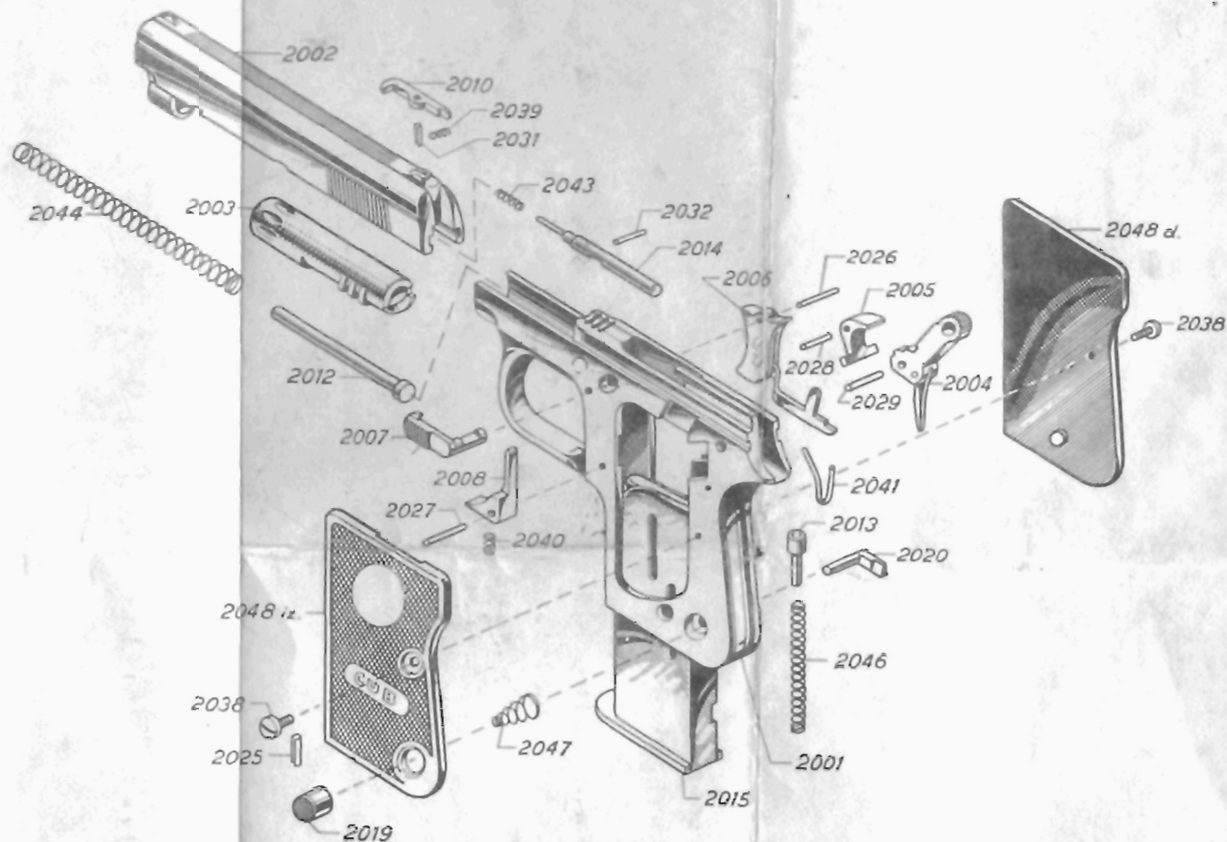
When disassembling your pistol, remember that it is a precision piece of equipment and no parts should ever be forced. We further recommend that when you disassemble your gun, place the pieces in sequence on a table in front of you and lay the pieces out from left to right. This will simplify reassembling of your pistol.

The logo for F.I.E. (Federal Industrial Equipment) is displayed in a large, bold, stylized font. The letters are blocky with a double-line outline, giving it a heavy, industrial appearance. The 'F' and 'E' are significantly larger than the 'I' in the middle.

A27 - THE BEST .25 AUTO

PART
No. DESCRIPTION

- 2001 Frame (Not Available)
 2002 Slide
 2003 Barrel (Not Available)
 2004 Hammer and strut
 2005 Sear
 2006 Trigger and strut
 2007 Thumb safety
 2008 Magazine safety
 2010 Extractor
 2012 Guide level of recoil spring
 2013 Hammer spring guide
 2014 Firing pin
 2015 Magazine
 2019 Magazine catch button
 2020 Magazine catch
 2025 Magazine catch pin
 2026 Trigger pin
 2027 Magazine safety pin
 2028 Sear pin
 2029 Hammer pin
 2031 Extractor retainer
 2032 Firing pin retainer
 2038 Grips screws
 2039 Extractor spring
 2040 Magazine safety spring
 2041 Sear spring
 2043 Firing pin spring
 2044 Recoil spring
 2046 Hammer spring
 2047 Magazine catch spring
 2048 Grip plates



FIE

FIREARMS IMPORT AND EXPORT CORP.
 P. O. BOX 520691 • MIAMI, FLORIDA 33152

STATEMENT OF OUR POLICY

We try to build dependable, safe, modern, sensibly, priced guns. We use methods and materials in keeping with the best manufacturing technology. We handcraft many parts of our guns where mass production would not provide finishes or actions in accordance with our standards. Our handguns are tested, cleaned and oiled prior to shipment. Our shotguns and replicas are all proof tested with standard loads. We maintain a continuing interest in our guns after they are sold.

The enclosed registration card should be filled out and returned to us as soon as possible. Only by having the registration back in our files can we continue to be of service to you.

You have purchased a good gun. Use it carefully. Become familiar with it by getting competent instructions in shooting, cleaning and maintenance. Use the safety features in your gun. Never point it at anyone even when unloaded. All firearms should be loaded or unloaded only when the muzzle is pointed at the ground.

Write to us if you have any problem which can be handled by our factory technicians.

STATEMENT OF LIMITED WARRANTY

All of the guns that we build or import are guaranteed to be free from defects in materials or workmanship for one year after you, the owner, has purchased the gun from an authorized licensed dealer.

During this period of one year you are guaranteed repair or replacement (at our option) without charge for parts or labor but excluding transportation to and from our repair facilities. In case of replacement the guarantee period continues from the original date of purchase.

This guarantee is void on transfer of ownership. It is also voided if the gun has been modified, misused, abused, altered in any way, repaired without our authorization or used with reloaded or non standard ammunition. No warranty is implied against normal wear and tear.

Failure to send us your registration card cancels out the warranty. Our warranty of merchantability and fitness applies only for the effective period of the expressed warranty.

F.I.E.'s obligations and liabilities shall be limited to those set forth above.

F.I.E. CORP.

Mailing Address: P.O. Box 520691 Biscayne Annex Miami, Fla. 33152

