

READ THESE INSTRUCTIONS BEFORE USING THIS PISTOL



ERMA-EXCAM SEMI AUTOMATIC PISTOL MODEL RX22

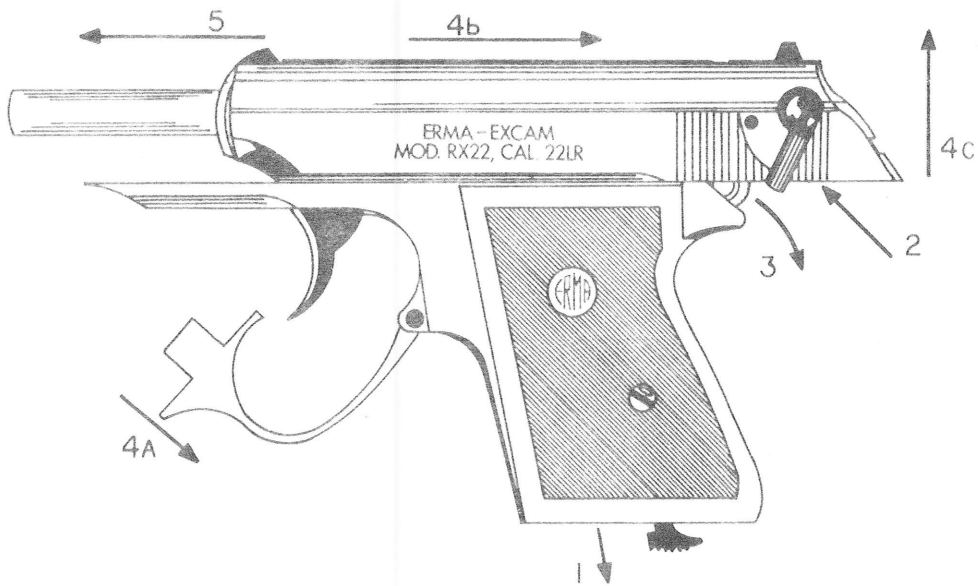
Caliber: 22LR
Barrel Length: 3¼ inches
Overall Length: 6¼ inches
Capacity: 8 shot magazine

Finish: Polished Blue
Sights: Fixed
Weight: 17 ounces
Width: 1 inch

Grips: Wraparound
Patented Ignition
Safety System
Trigger: Double Action

SAFETY PROCEDURES

1. We recommend that you seek competent firearms instruction in safe handling before using this firearm. All guns can be dangerous if carelessly handled. Remember that the gun USER is the best "Safety." To depend solely on mechanical devices is to be only half safe.
2. Do not store, carry, or holster this pistol with a cartridge in the chamber. Load only the magazine. The chamber should only be loaded when you intend to fire. Carrying a pistol with a cartridge in the chamber can result in accidental discharge.
3. The thumb safety is engaged or "Safe" when the red dot is not visible. When the red dot is seen the pistol is in the "Fire" position. Unload the pistol by removing the magazine and unloading the chamber. Move the safety lever back and forth until you are familiar with its operation. This pistol should be carried, stored, and loaded with the safety in the "Safe" position (red dot covered). Failure to keep the gun on "Safe" can result in accidental discharge if the pistol is mishandled.
4. Do not point the pistol at anything that is not your intended target. When loading or unloading, cleaning, carrying, or inspecting, always point the muzzle in a safe direction. Always treat the pistol as if it is loaded even if you know it is not.



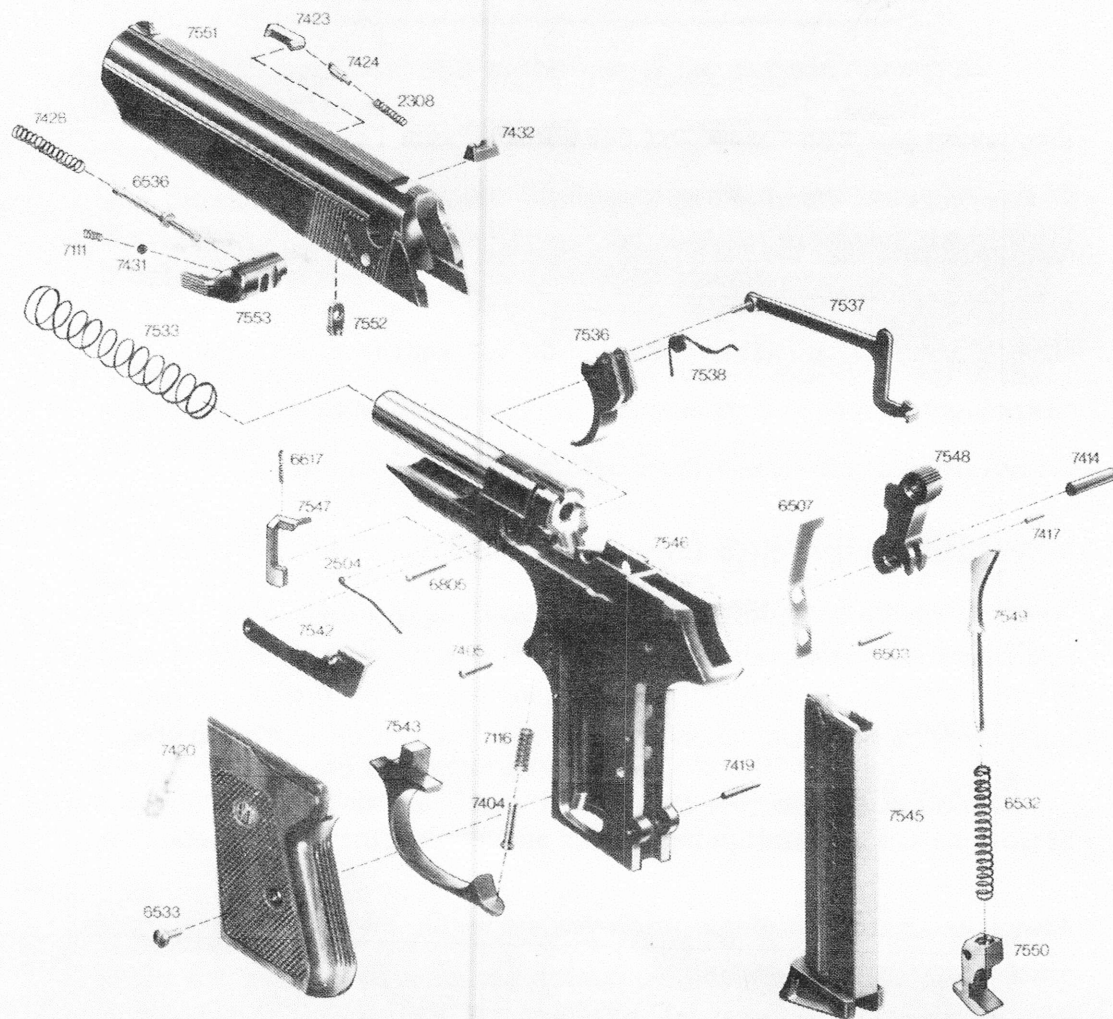
DISASSEMBLY INSTRUCTIONS

1. Remove the magazine from the pistol.
2. Put the safety in the safe position, retract the slide and make sure that the chamber is unloaded.
3. Cock the hammer.
4. Holding the slide in the right hand with the safety facing you, pull down the trigger guard. While pulling the trigger guard down retract the slide with the other hand until it reaches its farthest rear point of travel and disengages from the frame.
5. When the slide disengages from the frame allow the recoil spring to pull the slide forward off the barrel and frame.
6. To reassemble the pistol simply reverse the procedure. We do not recommend any further disassembly.

CLEANING

All cleaning can be done with powder solvent, cotton patches, bore brush, and light oil. Before using this pistol wipe the barrel with a bore brush to remove any shipping grease that may remain. After each firing session, a few strokes of the bore brush with powder solvent followed with a swab of light oil in the bore will maintain your pistol for years. The exterior surfaces should be rubbed down with a fine film of oil to protect the finish.

PARTS SCHEMATIC



2504 Leaf Spring	7414 Hammer Pin	6536 Firing Pin
7543 Trigger Guard	6532 Main Spring	7552 Firing Pin Plug
7116 Lock Spring	7549 Main Spring Guide	7428 Firing Pin Spring
7404 Spring Pin	7417 Guide Pin	7547 Ignition Safety
7405 Guard Pin	7542 Catch Link	6617 Safety Spring
7536 Trigger	7550 Magazine Catch	7553 Thumb Safety
6805 Trigger Pin	7419 Catch Pin	7111 Lever Spring
7537 Trigger Bar	7420 Plastic Grips	7431 Safety Detent
7538 Bar Spring	7421 Wood Grips	7432 Rear Sight
6507 Sear	6533 Grip Screws (2)	7533 Recoil Spring
6503 Sear Pin	7423 Extractor	7545 Magazine
7548 Hammer	2308 Extractor Spring	7424 Extractor Pin

All Parts orders should be addressed to: EXCAM, INC., 4480 East 11th Avenue, Hialeah, Florida 33013.

All orders are subject to a \$ 3.00 shipping and handling fee.

LOADING INSTRUCTIONS

1. Retract the magazine catch at the base of the grip and remove the magazine from the pistol.
2. Put the safety lever in the safe position with the white dot showing. Retract the slide and visually inspect the chamber to be sure the pistol is unloaded and the bore is free of foreign objects.
3. Load the magazine by depressing the top surface or follower with the rear edge of the cartridge. Press the cartridge down and into the magazine until all eight cartridges are loaded in the magazine.
4. Reinsert the magazine in the pistol until it is secured by the magazine catch. Grasp the serrations on the rear sides of the slide and retract the slide to its rearmost position and release. The recoil spring will pull the slide forward loading the chamber. Be careful not to put your fingers on or near the trigger when loading the chamber. Unless you intend to fire immediately, engage the safety in the safe position. We do not recommend that you carry, store, or holster the pistol with a cartridge in the chamber. Load the chamber only when you intend to fire.
5. The pistol is now ready to fire. If you desire to fire, put the safety in the fire position with the red dot exposed. Firing may be done double action (merely pull the trigger) or for target shooting single action (manually cock the hammer prior to pulling the trigger). Single action firing is always more accurate due to the lighter trigger pull. The pistol will automatically load the chamber and cock the hammer after each shot until all eight cartridges have been fired and the slide remains open.
6. High velocity ammunition with jacketed bullets gives the best feeding in automatic pistols. During our tests we found Remington High Velocity No. 1522 and Federal Hi-Power rimfire ammunition functioned best. Some forms of Hyper Velocity ammunition may jam and not feed consistently due to the smaller weight of the bullets and the extra cartridge length. We recommend that you fire high velocity ammunition only.

STATEMENT OF LIMITED WARRANTY

We hereby warrant this firearm against defective workmanship and materials for the period of one year. During this period we will repair or replace, at our option, if it proves to be defective.

There will be no charge for parts and labor. The customer will be liable for transportation costs to and from our repair facilities in Hialeah.

This warranty is voided by work done by others, misuse, modifications, transfer of ownership, and the use of reloaded or non standard ammunition. No warranty is implied against normal wear and tear.

Our warranty of salability and fitness applies only for the effective period of the expressed limited warranty.



THE ERMA-EXCAM RX22 PISTOL IS ASSEMBLED IN AMERICA BY:
EXCAM, INC, 4480 East 11th Avenue, Hialeah, Florida 33013 IN COOP-
ERATION WITH ERMA WERKE GMBH, Johann-Ziegler Strasse 13/15,
Dachau, West Germany