
CM2



RIMFIRE BOLT ACTION RIFLE

WARNINGS AND INSTRUCTIONS MANUAL

European American Armory Corp. (EAA)
3855 North U.S. Highway 1
Cocoa, Florida 32926
(321) 639-4842
www.eaacorp.com
E-mail: eaacorp@eaacorp.com

© Copyright EAA Corp. March 2004

EAA MODEL: CM2 Bolt Action Rifle

WARNINGS AND INSTRUCTION MANUAL

PLEASE READ THESE INSTRUCTIONS

MODEL NUMBER	BARREL LENGTH	CALIBERS	FINISH
CM2 YOUTH	20"	22LR	BLUE
CM2	26.75"	22LR OR 22WMR	BLUE

GENERAL INFORMATION:

Weight (average) - 7.9 Lbs., 10 Lbs.

Overall Length - 37", 43.75"

FOR YOUR SAFETY AND THE SAFETY OF OTHERS, this owner's manual contains important warnings and safety procedures which must be understood BEFORE using this firearm. Read the **ENTIRE MANUAL** and if you do not understand any part of it or the operation of your Bolt Action Rifle, stop and seek professional firearms instructions. You can get a copy of this manual from European American Armory Corp. upon request.

Record the serial number of your firearm

and a description of it:

Make a copy of this manual, proof of purchase/sales record for safekeeping in a secure safe or fireproof container. Such proof is necessary if the firearm is stolen or sent in for warranty repair.

Before handling any firearm, make sure you know the safety procedures and most importantly, keep the firearm pointed in a safe direction.

 **WARNING**


****YOU RISK PERSONAL INJURY OR DEATH BY
HANDLING THIS FIREARM****

Before handling this firearm, read, understand and follow the instructions in this manual. Always keep this manual with the firearm. If you lend, give or sell this firearm, be sure the manual goes with it. If there is anything you do not understand, seek advice from someone qualified in safe handling of firearms. You must ALWAYS obey the following warnings, instructions and safety procedures:

1. Always keep the muzzle pointed in a safe direction.
2. Firearms should be unloaded and secured when not actually in use.
3. Don't rely on your firearm's safety.
4. Be sure of your target and what's beyond it.
5. Use only proper ammunition matching the precise gauge of your specific shotgun.
6. If your shotgun fails to fire when the trigger is pulled, handle with care.
7. Always wear ear and eye protection when shooting.
8. Be sure the barrel is clear of obstructions before shooting.
9. Don't alter or modify your firearm and have it serviced regularly.
10. Learn the mechanical and handling characteristics of your shotgun.
11. Shoot sober!

Type Of Ammunition To Be Used:

It is suggested that high quality commercially manufactured ammunition be used in this firearm. Avoid military surplus or old ammunition as it may not fire with sufficient force to expel the projectile or wad from the barrel. **The use of reloaded, high pressure or hand-loaded ammunition will void the warranty.**

 **LEAD WARNING:** The actual firearm does not contain any lead; however, it does fire ammunition which contains lead or lead compounds known to the State of California to cause cancer, birth defects, reproductive toxicity, and other serious physical injury. Those who discharge a firearm, stand near someone who discharges a firearm or clean firearms are hereby warned of the dangers presented by lead and lead compounds and should take protective health measures. Avoid exposure to lead while handling and wash your hands after contact. Proper air ventilation is absolutely necessary when shooting indoors.

NOTICE

BOLT ACTION RIFLES ARE CLASSIFIED AS FIREARMS OR DANGEROUS WEAPONS and are sold by European American Armory Corp. with the specific understanding that we are not responsible in any manner what-so-ever for their safe handling or resale under local laws and regulations.

European American Armory Corp. shall not be responsible in any manner whatsoever for malfunctioning of the firearm, for physical injury or for property damage resulting in whole or in part from (1) intentional or negligent discharge, (2) improper or careless handling, (3) unauthorized modifications and/or alteration to the internal/safety mechanisms, (4) defective, improper, high pressure, hand-loaded, or reloaded ammunition, (5) corrosion and/or lack of proper maintenance (6) neglect, or (7) other influences beyond our direct and immediate control. This limitation applies regardless of whether liability is asserted on the basis of contract, negligence or strict liability (including any failure to warn). Under no circumstance shall European American Armory Corp. be liable for incidental or consequential damages, such as loss of use of property, commercial loss and loss of earnings or profits.

FOLLOWING THESE SAFETY RULES CAN SAVE YOUR LIFE OR THE LIFE OF SOMEONE ELSE

Get competent firearms instruction in safe handling before using this firearm. Please ask your dealer for names of qualified instructors. All guns are extremely dangerous if carelessly handled or used. Remember that the firearm user is the primary "safety" and that reliance on any mechanical device should never replace safe handling procedures.

This firearm WILL FIRE if a cartridge is in the chamber and the trigger is pulled and the safety is disengaged.

DO NOT LOAD THIS BOLT ACTION RIFLE UNTIL YOU UNDERSTAND HOW THIS BOLT ACTION RIFLE OPERATES. KEEP this Bolt Action Rifle unloaded at all times except when ready to fire and you are sure of your target.

ALWAYS carry this Bolt Action Rifle in a case or original box **unloaded**.

NEVER point this Bolt Action Rifle at anything that is not your intended target even if this Bolt Action Rifle is unloaded. When loading, cleaning, unloading or handling, always be sure the muzzle is pointed in a safe direction and always keep your finger off the trigger.

NEVER assume any gun is unloaded. Before handling, check to make sure the chamber is empty. See unloading Instructions and then unload any ammunition. Make sure you know that this or any firearm is fully unloaded before displaying or handling it. When handling any firearm, keep your fingers away from the trigger at all times until you intend to fire.

Get instructions from a competent firearms instructor before using this or any firearm. Learn from a professional how to handle, load, unload, operate, fire and care for your gun.

NEVER PLAY with your firearm. It is not a toy and can be a very dangerous weapon that can cause serious personal injury or death.

Always keep the gun pointed in a safe direction. Treat every gun as if it is loaded...all the time. NEVER point any firearm (loaded or unloaded) at any person or anything you do not intend to shoot. Always keep your gun unloaded until ready to use and make sure that it is unloaded before cleaning.

Keep your finger OFF the trigger until you are actually aiming at the target and ready to shoot. Learn to rest your finger outside of the trigger guard.

Never rely on a gun's "safety" to protect you from unsafe gun handling. A safety is only a mechanical device, not a substitute for common sense and gun safety procedures.

Never leave a gun unattended or where it could fall.

Store guns and ammunition separately **beyond the reach of children**. Make

FOLLOWING THESE SAFETY RULES CAN SAVE YOUR LIFE OR THE LIFE OF SOMEONE ELSE

sure that they are properly secured so untrained individuals and children will be denied access to your guns and ammunition.

Test your gun's operation and safeties only at a shooting range while the fire-arm is pointed in a safe direction.

Know your target and what is beyond. Ask yourself what your bullet will hit if it misses the target or passes through the intended target. Remember, a fired projectile can travel over a mile (including a ricochet) and is capable of going through walls.

Guns and alcohol or drugs do not mix. Don't take any alcoholic beverages and/ or drugs before or during shooting activities.

Never pull a gun toward you by the muzzle. Don't climb a tree, cross a ditch or fence with a loaded gun.

Always empty guns before entering a house, car, truck, boat, RV, camp or any building.

When receiving a gun, always open the action and check to make sure the chamber is unloaded.

NEVER accept anyone's word that a gun is "unloaded" or "empty". You should immediately open the action and check to make sure it is unloaded.

Be careful with ALL ammunition. Even "blank" cartridges are deadly at close range due to the muzzle blast. Make sure your ammunition is in new and in good, clean condition. Do NOT oil or grease ammo as this may damage the cartridge primer. Do NOT tamper with or alter the standard factory ammunition.

Keep firearms unloaded when not actually in use. Load the gun only when on the range preparing to fire and unload it before leaving the range.

Never put your hand over the muzzle of a gun.

ALWAYS WEAR protective shooting glasses and hearing protection when using firearms.

Spectators should be at least 10 feet behind and away from the shooter while the shooter is loading, shooting and unloading. Spectators should wear protection for hearing and sight loss and they should avoid distracting those shooting their firearms.

Never drop your gun. If you do drop it, unload it and check it for proper function before using it again.

Do NOT alter or modify your gun. Don't try to change your gun's trigger ing

FOLLOWING THESE SAFETY RULES CAN SAVE YOUR LIFE OR THE LIFE OF SOMEONE ELSE

pull, because it may affect sear engagement and may cause accidental firing.

Do NOT remove any internal safety or safety device on the firearm. Safety mechanisms are designed to help protect you from personal injury or death.

Maintain and keep your gun clean. Keep in a dry place away from other metals and water. If your gun shows sign of corrosion or improper operation, have it serviced by a competent gunsmith.

Keep the muzzle pointed in a safe direction when loading and unloading your gun. Never point the muzzle at anyone.

Never shoot at hard flat surfaces or water....bullets ricochet.

If a gun fails to fire when the trigger is pulled, keep it pointed down range at the target for 60 seconds. Sometimes slow primer ignition may cause a delay in full ignition of the cartridge. If it after 60 seconds, the cartridge does not fire, keep the muzzle pointed in safe direction and avoid exposure to the breech, as you attempt to unload your firearm.

Never let water, snow, mud or other material enter the barrel. Always be sure the barrel is free of any obstruction.

Since many ammunition identifications sound similar, be sure that you use only the correct ammunition for your gun. Do NOT use the wrong size or wrong strength ammunition in your firearm.

Repeated and prolonged exposure to gunfire may cause toxic levels of lead in your body. High levels of lead in the blood may result in cancer, impotency, birth defects and other serious physical injury. When shooting indoors, make sure there is proper fresh air ventilation.

Teach children: 1. NOT to touch guns, bullets, cartridges, shells, flares or any explosive device and 2. That if they discover such a dangerous item or weapon, they must immediately report its location to their parents, school teacher or police.

Remember a firearm has the capability of taking your life or the life of someone else. Be careful with your firearm — an accident is almost always the result of not following basic safety rules.

HOME SAFETY IS PROBABLY YOUR BIGGEST CONCERN. We suggest a gun lock such as Master Gun Locks. They work on most firearms and are available in gun shops and sporting goods departments. For more information write: Master Gun Locks; Master Lock Company, P.O. Box 10367, Milwaukee. WI 53210. You have invested this much in your new firearm, now invest a little more in your family's safety.

USED FIREARMS - If you got your European American Armory Corp firearm as a used gun, **BEFORE USING IT** you should take it to a good gunsmith who knows European American Armory Corp firearms, and have him examine it. Firearms are sometimes altered to work incorrectly, or parts may be removed, lost or replaced with incorrect parts.

WRITE EAA Corp concerning any items or circumstances which you don't understand and which might relate to your safety and the operation of your firearm. EAA Corp, 3855 North US Hwy One, Cocoa, FL 32926

 **WARNING (POTENTIAL OBSTRUCTIONS)**

BEFORE LOADING or firing a rifle, examine the bore and the firing chamber to be certain they are clean and free of any obstruction. Even a heavy coat of oil, grease, snow or water may result in damage to the firearm and personal injury to the shooter and/or persons near the firearm. A misfire or unusual sound upon firing is a signal to cease firing and to examine the chamber and bore. If there is any obstruction, clear the obstruction and clean the bore and chamber before firing.

Any bore obstruction, even if it is only partly blocked, may cause the gun to blow up if it is fired, or may cause damage to the gun such as a bulged barrel. To avoid injury or death to the shooter or bystanders, check the barrel before shooting or if a shot does not sound normal.

 **WARNING**

Always keep the muzzle pointed in a safe direction! Never attempt to load or unload any firearm inside a vehicle, building or other confined space (except a properly constructed shooting range). Enclosed areas frequently offer no completely safe direction in which to point the firearm. If an accidental discharge occurs, there is great risk of death, personal injury or property damage. Before loading, always clean all, grease and oil from the bore and chamber, and check to be certain that no obstruction is in the barrel. Any foreign matter in the barrel could result in a bulged or burst barrel or other damage to the firearm and could cause serious injury to the shooter or others.

 **WARNING**

If there is any reason to suspect that a bullet or projectile is obstructing the barrel, immediately unload the firearm (See Unloading Instructions) and check the chamber and the bore. A bullet may be lodged some distance down the barrel where it can not easily be seen. Check the bore by using a cleaning rod to pass through the barrel. If a blockage is in the bore, **DO NOT ATTEMPT TO SHOOT IT OUT WITH ANOTHER CARTRIDGE, OR BLOW IT OUT WITH A BLANK CARTRIDGE OR A CARTRIDGE FROM WHICH THE BULLET HAS BEEN REMOVED. SUCH TECHNIQUE(S) CAN GENERATE EXCESSIVE**

PRESSURE, DAMAGE THE FIREARM AND CAUSE SERIOUS PERSONAL INJURY. If the blockage can be removed with a cleaning rod, clean any unburned powder grains from the bore, chambers & mechanism before resuming shooting. If the blockage can not be dislodged by tapping it with a cleaning rod, take the firearm to a gunsmith.

⚠ WARNING (EYE AND EAR PROTECTION)

When shooting, full eye and ear protection is mandatory at all times. Shooters and spectators must wear shooting glasses and hearing protection to prevent eye injury and hearing loss. Vision and hearing impairment can occur with only one moment of non-protection.

⚠ WARNING (Mechanical Malfunctions)

STOP SHOOTING IMMEDIATELY AND UNLOAD YOUR FIREARM if your firearm develops: a mechanical malfunction; binding or stoppage; spitting powder/gas; a cartridge primer is punctured; a cartridge case is bulged or ruptured; or the sound on firing does not sound quite right. Do NOT try one more shot but unload your firearm and take it and the ammunition to a qualified gunsmith or send it back to EAA Corp. for examination. Do not assume that the Bolt Action Rifle is empty merely because you checked the chamber. You must also check the bore for any fired cartridge jammed inside the barrel.

BASIC PARTS OF YOUR RIFLE

Safety : Your rifle has a lever safety, located behind the bolt handle. Moving the lever forward locks the trigger and bolt (red dot is covered). Moving the button rearward (disengaged) unlocks the trigger and bolt (red dot showing). To load and unload the rifle move the safety lever to the fire position (disengaged) so as to release the bolt for movement.

WARNING....KEEP FINGERS AWAY FROM TRIGGER DURING ALL SAFETY MOVEMENT.....MAKE SURE YOU UNDERSTAND HOW THE SAFETY WORKS BEFORE YOU LOAD OR USE THE BOLT ACTION RIFLE)....NOTE: WITH SAFETY ENGAGED OR "ON" THE BOLT HANDLE IS LOCKED. Fig A (Safety engaged), Fig B (Safety disengaged)



Figure A



Figure B

⚠ WARNING

Do not touch the trigger while moving the safety lever. When operating the safety lever, make sure you push it to the full extent of its travel in the desired direction, either fully "on" – engaged or fully "off" – disengaged. Half-safe or partially-safe is UNSAFE.

Trigger : Located in the trigger guard. If the safety is disengaged and the mechanism has been cocked and the trigger is pulled to the rear the Bolt Action Rifle will discharge, if there is a live cartridge in the chamber. (See Fig 1)



Figure 1

⚠ WARNING

NEVER pull the trigger until you are actually ready to fire. Keep your fingers off the trigger and outside of the trigger guard until you are ready to pull the trigger and fire the rifle. When opening and closing the bolt and when engaging or disengaging the safety mechanism, make sure your fingers are outside of the trigger guard and away from the trigger.

Bolt : Located in aft section of receiver and moves fore and aft. The bolt is used to load and unload a round and houses the firing pin assembly and mechanism. The bolt functions in lift and rotate manner. The bolt handle is lifted up and then rotates to the left from the locked / down position and then is moved rearward to extract an empty case. Once the bolt is fully back A) You may manually load a round into the chamber if your rifle does not have a magazine feeding system or B) If your rifle has a magazine feeding system the next round in the magazine will be lifted up so that the bolt can strip a round from the magazine to feed into the chamber or C) if there was an empty or live round in the chamber the fully aft movement of the bolt will extract the round from the chamber and eject it to your right. **Warning: When moving the bolt the safety is disengaged (off) so if the trigger is pulled the firearm will fire if a live round is in the chamber and the bolt handle is locked. Be careful in any bolt function since the safety is disengaged (off).** Forward movement of the bolt will insert a round into the chamber or will close the bolt on an empty chamber. Moving the bolt handle down once fully forward will lock the bolt. **Warning the gun is cocked at this moment and the safety is disengaged (off). Engage the safety immediately unless you are ready to fire. Even though the bolt contains a safety device which requires the bolt to be closed to allow the firearm to fire, we strongly recommend that you always check that the bolt is fully closed and you know where you are aiming before you pull the trigger, no matter weather the safety is engaged or disengaged.** Fig 3 (Bolt movement open or close), Fig 4 (Bolt fully rearward and round being extracted), Fig 7 (Bolt fully closed and safety engaged).



Figure 3



Figure 4



Figure 7

Optional Magazine Release: If your CM2 has a magazine the release it is located forward of the magazine well on the bottom side of the rifle and is a push button system. You move the release forward to disengage the magazine. The release allows you to remove the magazine from the rifle or locks the magazine in place once the magazine has been inserted into the rifle (See Fig 5).



Figure 5

Cocking Indicator: Protrudes out behind the bolt when the firing mechanism is cocked or is inside the bolt when the gun is un-cocked. See Fig 6a (Rifle action cocked), Fig 6b (Rifle action uncocked)



Figure 6a

WARNING

The cocking indicator is merely an aid to help you confirm when hunting or shooting that your rifle is cocked and ready-to-fire. NEVER rely on the status of the cocking indicator to justify careless handling of your shotgun. The cocking indicator may be broken or obscured. Always handle your rifle as if it were loaded, cocked and ready-to-fire.



Figure 6b

Directions For Assembly Of Bolt Action Rifle:

- 1) Remove protective wrapping from rifle, with gun pointed in a safe direction open bolt to assure the action is empty and free of debris.
- 2) Open bolt (See Fig 3).
- 3) Clean gun and run cleaning rod down barrel to assure that barrel and action is free of debris.
- 4) Close the bolt and engage the safety (See Fig 7).



Figure 3

To Load Bolt Action Rifle:

- 1) Make sure the Bolt Action Rifle is pointed in safe direction at all times, the safety is engaged, and never allow fingers or objects to contact trigger during loading.
- 2) If the rifle has the optional detachable magazine, remove magazine and load ammunition, make sure the ammunition is the type that is marked on the gun (See Fig 9).



Figure 7



Figure 9

3) Disengage Safety and move the bolt to the rear. Visually inspect the chamber and barrel for obstructions. The chamber and barrel must be free of oil or grease or obstructions.

4) If the rifle has the optional detachable magazine feature engage safety after barrel and chamber inspection, insert loaded magazine into the magazine well until the magazine release engages the magazine (Fig 10).



Figure 10

5) If the rifle does not have the detachable magazine insert a round into the breach area and then close the bolt so as to move the round into the chamber from the breach area. Lock bolt closed by rotating the bolt handle down once the round is in the chamber....**WARNING NEVER FORCE THE BOLT CLOSED ON ANY RIFLE, IF THE BOLT WILL NOT CLOSE EASILY, THEN UNLOAD AND INSPECT CHAMBER AND ROUND FOR DEBREE OR DAMAGE....** once the bolt is closed and locked engage the safety and do not disengage safety until you are ready to fire. Whenever the rifle is loaded always keep rifle with safety fully engaged so as to lock bolt and trigger and keep rifle pointed in a safe direction. Fig 11a (Inserting round into chamber), Fig 12 (Closing bolt), Fig 11b (Engaging safety when bolt is fully closed)



Figure 11a



Figure 11b

6) If the gun has a detachable magazine, disengage the safety and move bolt to the full rear position. Next, move the bolt forward to strip a round from the magazine and insert it into the chamber. Once loaded, re-engage the safety and do not disengage safety until you are ready to fire. Whenever the rifle is loaded always keep rifle with safety fully engaged, so as to lock bolt and trigger and keep rifle pointed in a safe direction. Fig B (Safety disengaged), Fig 14 (Bolt movement rearward) , Fig 12 (Bolt movement forward and round being striped from Magazine), Fig 11b (Safety engaged on closed bolt)




Figure B




Figure 12



Figure 14

 **WARNING.....ONCE YOU HAVE COMPLETED THE PREVIOUS STEPS, YOUR RIFLE HAS A CARTRIDGE IN THE CHAMBER AND IF THE SAFETY IS DISENGAGED AND THE TRIGGER IS MOVED THE RIFLE WILL FIRE, MAKE SURE YOU HAVE SELECTED THE CORRECT AMMUNITION BEFORE YOU FIRE THE RIFLE.....**

 **WARNING**
Never keep or store your rifle loaded.....
There is no excuse for not being careful.....

To Unload Bolt Action Rifle:

- 1) Make sure the gun is pointed in safe direction and the safety is engaged and your fingers are away from the trigger.
- 2) Move safety to the rear position or disengaged – Fig B.
- 3) Put one hand over the ejection port to catch round as it is ejected.
- 4) Lift the handle up and then slowly pull the bolt handle rearward to remove the cartridge from the chamber– Fig 15.
- 5) Remove the magazine if your rifle has a detachable magazine option – Fig 10.
- 6) Visually check that the barrel and chamber so that they are empty and free of obstructions.
- 7) Close the Bolt and engage the safety once fire-arm is empty– Fig A.



Figure B



Figure 15



Figure 10





Figure A

FIRING YOUR RIFLE

WARNING

Never load a round into the chamber until you are ready to fire the rifle...

 **WARNING** Do not disengage the safety until the rifle is pointed in a safe direction and you are ready to fire.

 **WARNING** If a round does not fire and the trigger has been pulled and the safety is disengaged...Stop! and do the following: **a)** Make sure the gun is pointed in a safe direction **b)** Engage the safety **c)** Wait 60 seconds **d)** Follow the instructions above for unloading the shotgun.

If during firing the sound of any round is noticeably softer or louder than the previous round fired, Stop! Do not load another round or fire another round and do the following: **a)** Make sure the gun is pointed in a safe direction **b)** Engage the safety **c)** Follow the instruction above for unloading the rifle **d)** With the rifle unloaded visually inspect the rifle for barrel blockage or damage and inspect the mechanical operation, receiver and bolt of the rifle for damage before continuing.

READ, UNDERSTAND AND FOLLOW ALL WARNINGS AND INSTRUCTIONS IN THIS MANUAL BEFORE FIRING THE RIFLE.

TO FIRE THE RIFLE:

- 1) Make sure the rifle is pointed in a safe direction with the trigger block safety engaged.
- 2) Make sure you are wearing eye and ear protection.
- 3) Keep your fingers away from the trigger.
- 4) Move the safety to the disengaged "off" position with the red dot showing.
- 5) With the butt stock held firmly against your shoulder and the barrel pointed towards your intended target, place your trigger finger on the trigger. The rifle will fire when you pull or squeeze the trigger with the requisite force.
- 6) If the rifle has a detachable magazine: To reload after firing, move the bolt to the rear and eject empty case and then move the bolt forward to

strip another round from the magazine and insert it into the chamber, repeat this process until the magazine is empty. Fig 12 (Unlocking bolt), Fig 14 (Moving bolt rearward), Fig13 (Moving bolt forward)

- 6a) To reload a rifle with out detachable magazine after firing, move the bolt to the rear and eject the empty case. Then place a round in the breach area and then move the bolt forward and insert the round into the chamber, then rotate bolt handle down to lock the bolt closed...Fig 12 (Unlocking bolt), Fig 14 (Moving bolt reward), Fig 13 (Moving bolt forward), Fig 2 (Loading round into breach area)

 **WARNING**

Once you have finished firing the rifle, immediately engage the safety. Then follow the unloading instructions above while keeping the muzzle pointed in a safe direction.



Figure 12



Figure 13

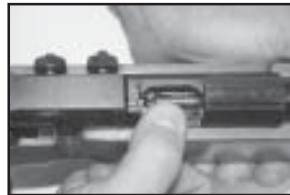


Figure 2



Figure 14

To Disassemble the Bolt Action Rifle:

- 1) Make sure the gun is pointed in safe direction and the safety is engaged and your fingers are away from the trigger.
- 2) Move safety to the rear position or disengaged— Fig B.
- 3) Move bolt to the rearward position and make sure gun is fully unloaded – Fig 3.
- 4) With bolt in the rearward position and gun empty and safety disengaged, pull trigger rearward and then pull bolt rearward and remove bolt assembly completely from the



Figure B



Figure 3

receiver (Never Force bolt out of the receiver). Fig 16 ... To reinstall bolt simply pull trigger and inset bolt back into the receiver (Never force bolt into the receiver) Fig 17

- 5) Other items that can be disassembled are the removal of the magazine, if the gun has a magazine and the removal of the rear sight, we suggest that a competent gunsmith do any disassemble past the above items .



Figure 16




Figure 17

MANUFACTURER'S WARNING

This firearm was manufactured to properly perform with the original parts as designed. It is your duty to make sure any parts you buy are correctly installed and that neither replacements nor originals are altered or changed. Your gun is a complex tool with many parts that must relate correctly to other parts for safe and accurate operation. Putting a gun together wrong or with modified parts can result in a damaged gun, personal injury or death to you or others. Always let a qualified gunsmith work on your gun or at least, check any work not performed by a gunsmith. Firearms safety is your primary concern. **THE GUN OWNER MUST ACCEPT FULL RESPONSIBILITY FOR THE CORRECT RE-ASSEMBLY AND FUNCTIONING OF THE FIREARM AFTER ANY DISASSEMBLY OR REPLACEMENT OF PARTS.**

To Clean and Maintain Your Bolt Action Rifle:

- 1) Follow procedures for unloading rifle as described previously.
- 2) Follow procedures for disassembly of rifle as described previously.
- 3) Materials needed to clean this rifle are: a cleaning rod, cotton bore patches, brass bore brush, powder solvent, a small soft brush and good quality gun oil.

 **WARNING:** Lead or lead compounds are known to the State of California to cause cancer, birth defects, reproductive toxicity, and other serious physical injury. Those who clean firearms should take protective measures to avoid contact or exposure to such chemicals.

- 4) Using the bore brush with powder solvent, scrub the interior of the barrel and chamber to remove any powder and lead residue in the bore. Always and lastly, swab the interior of the barrel with cotton patch with gun oil to coat and protect the bore and chambers from rust and corrosion.
- 5) Any powder fouling on the bolt or firing wall, barrel, etc. can be easily cleaned with a brush and powder solvent.
- 6) All external surfaces should be wiped down with a light coat of rust preventative. Avoid using too much oil as powder, dust or other foreign material may get trapped in the oil. This could lead to congealed deposits which may interfere with the safe and reliable operation of the rifle.

 **DANGER — AMMUNITION WARNING**

Firearms may be damaged and serious personal injury or death to the shooter or bystanders may result from any condition which contributes to the generation of excessive pressure or uncontrolled release of gas within the firearm. Such adverse conditions can be caused by bore or chamber obstructions, propellant powder overloads or by defective, incorrect or improperly loaded and assembled cartridge components. Even the strongest firearm can be blown up as a result of excessive pressure. It is extremely dangerous to use a cartridge whose pressure is greater than that developed by cartridges loaded to industry standards.

AMMUNITION (CARTRIDGES) NOTICE

We specifically disclaim responsibility for any damage, injury or death occurring in connection with or as the result of the use of European American Armory Corp rifles with faulty, non-standard, remanufactured, hand-loaded or reloaded ammunition or with cartridges other than factory cartridges for which the firearm was originally chambered.

 **LUBRICATION WARNING**

Firing a rifle with oil, grease or any other material even partially obstructing the bore may result in damage to the rifle and personal injury to the shooter and those nearby. Do not spray or apply lubricants directly on ammunition. If the powder charge of a cartridge is affected by the lubricant, they may not fully ignite yet the energy from the primer and/or powder may still be sufficient to push the projectile or wad into the bore where it may become lodged. Firing a subsequent cartridge into the obstructed bore will damage the rifle and may cause personal injury to the shooter and those nearby. Use lubricants properly. You are responsible for the proper care and maintenance of your firearm and ammunition.

ONE YEAR LIMITED WARRANTY

This European American Armory Corp. firearms is warranted to the original retail customer for One Year from date of purchase against defects in material and workmanship. All parts and labor or replacement **at our option** are covered. Wood Stock and Wood Forend are not covered by the One Year Warranty. The warranty on the wood stock and forend is 60 days from purchase and only covers manufactured and material defects.


Transportation to and from our repair facilities, government fees, damage caused by failure to perform normal maintenance, sales outside the United States, damage due to use of high velocity, high pressure, reloaded or other nonstandard ammunition, or any unauthorized repair, modification, misuse, abuse, or alteration of the product is not covered by this Limited Warranty.

Any implied warranties, including the implied warranties of merchantability and fitness for a particular purpose, are limited to one year from date of original retail purchase. Consequential or incidental damages and/or expenses, or any other expenses are not covered by this warranty.

To obtain warranty performance send your firearm with proof of retail purchase, freight prepaid to:

**European American Armory Corp.
3855 North U.S. Highway 1
Cocoa, Florida 32926**

NOTICE: It is illegal to ship a firearm with ammunition in the firearm or in the same packaging. Firearms and ammunition must be shipped separately. For information about shipping ammunition, call EAA Corp at (321) 639-4842.

 **WARNING—ALTERATIONS OR MODIFICATIONS VOID THE WARRANTY**
Altering or modifying parts and/or internal safeties is dangerous and will void the warranty. This Bolt Action Rifle was manufactured to perform properly with the original parts as designed. It is your duty to make sure any parts you buy are made for this firearm and are installed correctly and that neither the replacements nor originals are altered or changed. Your gun is a complex precision tool with many parts that must relate correctly to other parts in order for proper and safe operation. Putting a gun together wrong or with incorrect or modified parts can result in a damaged gun, danger, and injury or death to you and others through malfunction. Always have a qualified gunsmith work on your gun or at least check any work not performed by a gunsmith.

YOUR OWNERS' MANUAL

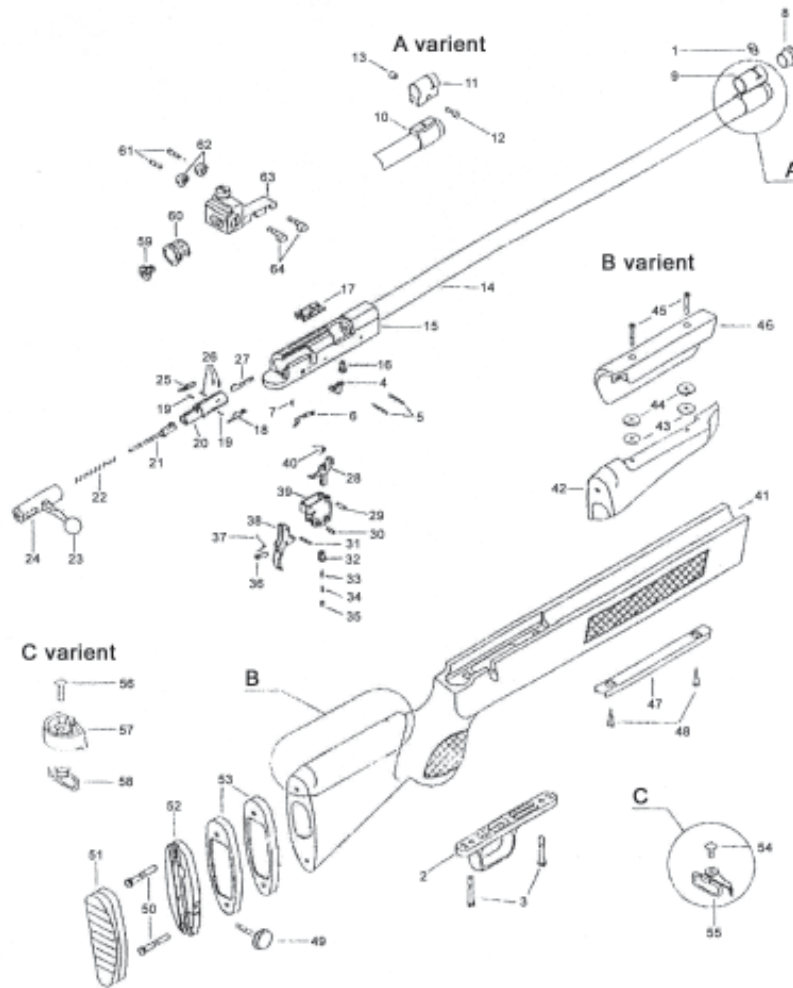
Always keep this manual with your firearm. Make sure you understand all the warnings, operation instructions and safety procedures. When you lend, give or sell the firearm, be sure this manual goes with it. You can get a copy of this manual from European American Armory on request.

ALL PARTS ORDERS ARE SUBJECT TO A \$10.00 CHARGE FOR SHIPPING AND HANDLING. Please state Model, Caliber, Serial Number, and Finish Color when ordering. For parts, information and service contact: European American Armory Corp., 3855 North U.S. Highway 1, Cocoa, Florida 32926 Phone: (321) 639-4842.

Optional Features:

- 1) Adjustable Stock Butt Plate- Adjustment of length of pull via shims, increase or decrease length of trigger pull by removing or inserting shims, remove screws in butt plate and add or remove shims...Make sure you reinstall screws and tighten butt plate screws fully.
- 2) Adjustable Sling Base- Unscrew forward sling base and position to location that best fits user...Make sure you reinstall sling screw and tighten fully.
- 3) Adjustable Rear Sight- Turn horizontal or vertical adjusting knobs so as to sight in rifle to desired point of impact.
- 4) Hooded Front Sight with Interchangeable Sight Blades- Back of front sight unscrews and allows the installation of different sight blades / sight pictures.
- 5) Adjustable Trigger- See trigger drawing and adjustment information
- 6) Interchangeable rear peep eye piece
- 7) 11mm Scope rail
- 8) Hooded Front Sight with screw lock system and inserts for different sight picture.

CM2 RIFLE COMPONENTS EXPLODED VIEW



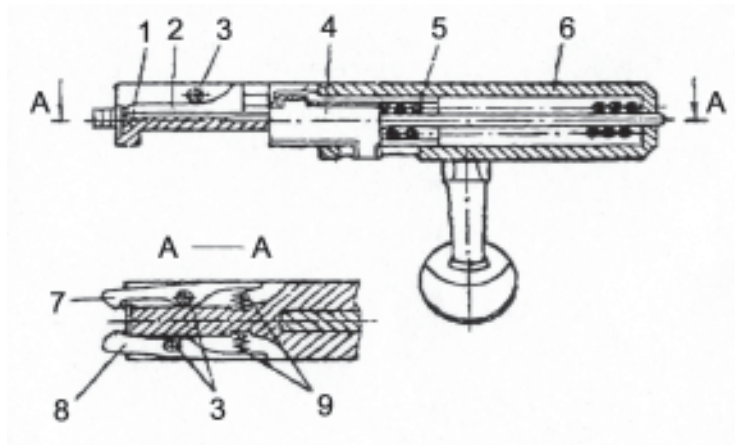
PARTS LIST

- | | | |
|----------------------------|-------------------------|--------------------------|
| 1. Circular Front Sight | 14. Barrel | 27. Firing Point |
| 2. Trigger Guard | 15. Receiver | 28. Sear |
| 3. Connecting Screw | 16. Tray Screw | 29. Tubular Axle |
| 4. Selector | 17. Tray | 30. Axle |
| 5. Pin | 18. Extractor | 31. Pin |
| 6. Safety | 19. Extractor Spring | 32. Warning Screw |
| 7. Back-Sight Spring | 20. Bolt Head | 33. Plunger |
| 8. Front-Sight Nut | 21. Firing Pin | 34. Warning Spring |
| 9. Front-Sight Base | 22. Mainspring | 35. Trigger-pull Screw |
| 10. Front-Sight Base | 23. Handle | 36. Trigger-travel Screw |
| 11. Front-Sight Body | 24. Bolt | 37. Trigger-pull Spring |
| 12. Front-Sight Body Clamp | 25. Auxiliary Extractor | 38. Trigger |
| 13. Front-Sight Body Nut | 26. Axle | 39. Trigger Housing |

PARTS LIST CONT'D

- | | | |
|-------------------------------|----------------------|--------------------|
| 40. Sear Spring | 49. Locking Screw | 58. Clamp Assembly |
| 41. Stock, LH | 50. Connecting Screw | 59. Diopter |
| 42. Stock | 51. Butt Pad, Rubber | 60. Blind |
| 43. Adjusting Washer | 52. Butt-pad Base | 61. Screw |
| 44. Adjusting Washer | 53. Butt Gasket | 62. Clamp Nut |
| 45. Screw | 54. Screw | 63. Sight |
| 46. Butt Cheek-piece Assembly | 55. Clamp Assembly | 64. Clamp |
| 47. Butt-swivel Plate | 56. Screw | |
| 48. Rosette Wood Screw | 57. Swivel Base | |

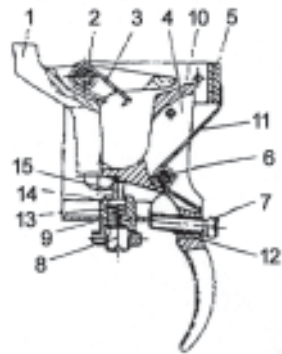
CM2 RIFLE FIGURE 1- BOLT ASSEMBLY



BOLT ASSEMBLY PARTS LIST

- | | | |
|-----------------|---------------|-------------------------|
| 1. Bolt Head | 4. Firing Pin | 7. Extractor |
| 2. Firing Point | 5. Mainspring | 8. Auxilliary Extractor |
| 3. Axle | 6. Bolt | 9. Extractor Spring |

CM2 RIFLE FIGURE 2- TRIGGER MECHANISM



TRIGGER ASSEMBLY PARTS LIST

- | | |
|-------------------------|-------------------------|
| 1. Sear | 9. Trigger Spring |
| 2. Tubular Axle | 10. Trigger Assembly |
| 3. Sear Spring | 11. Trigger-Pull Spring |
| 4. Trigger | 12. Pin |
| 5. Trigger Housing | 13. Warning Spring |
| 6. Trigger Axle | 14. Warning Screw |
| 7. Trigger-travel Screw | 15. Plunger |
| 8. Trigger Pull Screw | |

 **WARNING**

Children are attracted to and can operate firearms that can cause severe injuries or death.

Prevent child access by always keeping guns locked away and unloaded when not in use. If you keep a loaded firearm where a child obtains and improperly uses it, you may be fined or sent to prison.

 **ADVERTENCIA**

A los niños les atraen las armas de fuego y los pueden hacer funcionar. Ellos pueden causarse lesiones graves y la muerte.

Evite que los niños tengan acceso a las armas de fuego guardándolas siempre con llave y descargadas cuando no las esté utilizando. Si usted tiene un arma de fuego cargada en un lugar en que un niño tiene acceso a ella y la usa indebidamente, le pueden dar una multa o enviarlo a la cárcel.

Importer:

European American Armory Corp.
3855 North US Hwy. 1
Cocoa, FL 32926

Manufacturer:

Izhmash JSC
OJSC "Concern Izhmash"
3 PR. Deryabinia
426006 Izhevsk, Russia