
Black Arrow Bolt Action Rifle

WARNING & INSTRUCTION MANUAL

**European American Armory
411 Hawk Street
Rockledge, Florida 32955
(321) 639-4842
www.eaa.com
E-mail: eaa@eaacorp.com**

EAA MODEL: Black Arrow Bolt Action Rifle

WARNING AND INSTRUCTION MANUAL PLEASE READ THESE INSTRUCTIONS

MODEL NUMBER	BARREL LENGTH	CALIBERS	FINISH
BLACK ARROW	837 mm	.50 Browning	BLUE

GENERAL INFORMATION:

Weight (average) - 14 kg.
Overall Length - 1500 mm
Effective Target Range - 1800 m

FOR YOUR SAFETY AND THE SAFETY OF OTHERS, this owner's manual contains important warnings and safety procedures which must be understood BEFORE using this firearm. Read the entire manual and if you do not understand any part of it or the operation of your Bolt Action Rifle, stop and seek professional firearms instructions. You can get a copy of this manual from European American Armory Corp. on request.

Record the serial number of your firearm

and a description of it:

Make a copy of this manual, proof of purchase/sales record for safekeeping in a secure safe or fireproof container. Such proof is necessary if the firearm is stolen or for warranty repair. Before handling any firearm, make sure you know the safety procedures and most importantly, keep the firearm pointed in a safe direction.

WARNING

****YOU RISK INJURY OR DEATH BY HANDLING THIS FIREARM****

Before handling this firearm, read, understand and follow the instructions in this manual. Always keep this manual with the firearm. If you lend, give or sell this firearm, be sure the manual goes with it. If there is anything you do not understand, seek advice from someone qualified in safe handling of firearms.

WARNING

This firearm should always be transported and stored unloaded in its case.

Type Of Ammunition To Be Used:

It is suggested that high quality commercially manufactured ammunition be used in this firearm. Some factory ammunition works better than others and you should stick with the brand you find works well in your Bolt Action Rifle. Avoid military surplus or hot loaded ammo. The use of reloaded, high pressure or hand loaded ammunition will void the warranty.

NOTICE

BOLT ACTION RIFLES ARE CLASSIFIED AS FIREARMS OR DANGEROUS WEAPONS and are sold by European American Armory Corporation with the specific understanding that we are not responsible in any manner whatsoever for their safe handling or resale under local laws and regulations.

European American Armory shall not be responsible in any manner whatsoever for malfunctioning of the firearm, for physical injury or for property damage resulting in whole or in part from (1) intentional or negligent discharge, (2) improper or careless handling, (3) unauthorized modifications and/or alteration to the internal/safety mechanisms, (4) defective, improper, high pressure, hand-loaded, or reloaded ammunition, (5) corrosion and/or lack of proper maintenance (6) neglect, or (7) other influences beyond our direct and immediate control. This limitation applies regardless of whether liability is asserted on the basis of contract, negligence or strict liability (including any failure to warn). Under no circumstance shall European American Armory Corporation be liable for incidental or consequential damages, such as loss of use of property, commercial loss and loss of earnings or profits.

Safety Procedures:


1. We recommend that you get competent firearms instruction in safe handling before using this firearm. Please ask your dealer. All guns are extremely dangerous if carelessly handled or used. Remember that the firearm user is the primary "safety" and to depend on any mechanical devices is to be only half safe.
2. This firearm will fire if a cartridge is in the chamber and the trigger is pulled and the safety is disengaged.

3. DO NOT LOAD THIS BOLT ACTION RIFLE UNTIL YOU UNDERSTAND HOW THIS BOLT ACTION RIFLE OPERATES. KEEP this Bolt Action Rifle unloaded at all times except when ready to fire and you are sure of your target.

4. ALWAYS carry this Bolt Action Rifle in a case or original box unloaded.

5. NEVER point this Bolt Action Rifle at anything that is not your intended target even if this Bolt Action Rifle is unloaded. When loading, cleaning, unloading or handling, always be sure the muzzle is pointed in a safe direction and always keep your finger off the trigger.

6. NEVER assume any gun is unloaded. Before handling, check to make sure the chamber is empty. See unloading Instructions and then unload any ammunition. Make sure you know that this or any firearm is fully unloaded before displaying or handling it. When handling any firearm, keep your fingers away from the trigger at all times until you intend to fire.

7.  **WARNING: The actual firearm does not contain any lead; however, it does fire ammunition containing lead or lead compounds known to the State of California to cause cancer, birth defects, reproductive toxicity, and other serious physical injury. Those who discharge a firearm, stand near someone who discharges a firearm or cleans firearms are hereby warned of the dangers presented by lead and lead compounds and should take protective health measures. Avoid exposure to lead while handling and wash your hands after contact. Proper air ventilation is absolutely necessary when shooting indoors.**

AMMUNITION WARNING

Old, Hot-loaded and/or re-loaded ammunition may be dangerous. Because of the poor or nonexistent quality control standards among some companies or people who make reloaded ammunition and the dangers of overloads and under loads (squib loads) which may occur, we recommend that only good quality new factory ammunition be fired in our firearms. [If you prepare your own hand loads, do NOT exceed recommended pressures in line with those generated by standard factory loads as manufactured by Remington, Winchester, Federal, PMC or other reputable companies.] Old ammunition may not fire with sufficient force to expel the projectile from the barrel.

READING THESE SAFETY RULES WILL SAVE YOUR LIFE OR THE LIFE OF SOMEONE ELSE

Get instructions from a competent firearms instructor before using this or any firearm. Learn from a professional how to handle, load, unload, operate, fire and care for your gun.

NEVER PLAY with your firearm. It is not a toy and can be a very dangerous weapon that can cause serious personal injury or death.

Always keep the gun pointed in a safe direction. Treat every gun as if it is loaded...all the time. **NEVER** point any firearm (loaded or unloaded) at any person or anything you do not intend to shoot. Always keep your gun unloaded

until ready to use and make sure that it is unloaded before cleaning.

Keep your finger OFF the trigger until you are actually aiming at the target and ready to shoot. Learn to rest your finger outside of the trigger guard.

Never rely on a gun's "safety " to protect you from unsafe gun handling. A safety is only a mechanical device, not a substitute for common sense and gun safety procedures.

Never leave a gun unattended or where it could fall and fire.

Store guns and ammunition separately **beyond the reach of children**. Make sure that they are properly secured so untrained individuals and children will be denied access to your guns and ammo.

Test your gun's operation and safeties only at a shooting range while the firearm is pointed in a safe direction.

Know your target and what is beyond. Ask yourself what your bullet will hit if it misses the target or passes through the intended target. Remember, a fired projectile can travel over a mile (including a ricochet) and is capable of going through walls.

Guns and alcohol or drugs do not mix. Don't take any alcoholic beverages and/ or drugs before or during shooting activities.

Never pull a gun toward you by the muzzle. Don't climb a tree, cross a ditch or fence with a loaded gun.

Always empty guns before entering a house, car, truck, boat, RV, camp or any building.

When receiving a gun, always open the action and check to make sure the chamber is unloaded.

NEVER accept anyone's word that a gun is "unloaded" or "empty". You should immediately open the action and check to make sure it is unloaded.

Be careful with ALL ammunition. Even "blank" cartridges are deadly at close range due to the muzzle blast. Make sure your ammunition is in new and in good clean condition. Do NOT oil or grease ammo as this may damage the cartridge primer. Do NOT tamper with or alter the standard factory ammunition.

Keep firearms unloaded when not actually in use. Load the gun only when on the range preparing to fire and unload it before leaving the range.

Never put your hand over the muzzle of a gun.

ALWAYS WEAR protective shooting glasses and hearing protection when using firearms.

Spectators should be at least 10 feet behind and away from the shooter while the shooter is loading, shooting and unloading. Spectators should wear protection for hearing and sight loss and they should avoid distracting those shooting their firearms.

READING THESE SAFETY RULES WILL SAVE YOUR LIFE OR THE LIFE OF SOMEONE ELSE

Never drop your gun. If you do drop it, unload it and check it for proper function before using it again.

Do NOT alter or modify your gun. Don't try to change your gun's trigger pull, because it may affect sear engagement and thereby cause accidental firing.

Do NOT remove any internal safety or safety device on the firearm. Safety mechanisms are designed to protect you from injury or death.

Do maintain and keep your gun clean. Keep in a dry place away from other metals and water. If your gun shows sign of corrosion or improper operation, have it serviced by a competent gunsmith.

Keep the muzzle pointed in a safe direction when loading and unloading your gun. Never point the muzzle at anyone.

Never shoot at hard flat surfaces or water....bullets ricochet.

If a gun fails to fire when the trigger is pulled, keep it pointed down range at the target for 60 seconds. Sometimes slow primer ignition will cause a "hang fire" and the cartridge will go off after a short pause. If it still fails to fire, keep muzzle pointed in safe direction and avoid exposure to the breech, as you attempt to unload your firearm.

Never let water, snow, mud or other material enter the barrel. Always be sure the barrel is free of any obstruction.

Since many ammunition identifications sound similar, be sure that you use only the correct ammunition for your gun. Do NOT use the wrong size or wrong strength ammunition in your firearm.

Repeated and prolonged exposure to gunfire may cause toxic levels of lead in your body. High levels of lead in the blood may result in cancer, impotency, birth defects and other serious physical injury. When shooting indoors, make sure there is proper fresh air ventilation.

Teach children: 1. NOT to touch guns, bullets, cartridges, shells, flares or any explosive device and 2. If they discovery such a dangerous item or weapon, they must immediately report its location to their parents, school teacher or police.

Remember a firearm has the capability of taking your life or the life of someone else. Be careful with your firearm -- an accident is almost always the result of not following basic safety rules.

HOME SAFETY IS PROBABLY YOUR BIGGEST CONCERN. We suggest a gun lock such as Master Gun Locks. They work on most firearms and are available in gun shops and sporting goods departments. For more information write: Master Gun Locks; Master Lock Company, P.O. Box 10367, Milwaukee. WI 53210. You have invested this much in your new firearm, now invest a little more in your family's safety.

USED FIREARMS - If you got your European American Armory firearm as a used gun, BEFORE USING IT you should unload it and check all its functions to be sure it works correctly. Firearms are sometimes altered to work incorrectly, or parts may be removed, lost or replaced with incorrect parts. First, unload it and check it yourself and then take it to a good gunsmith who knows European American Armory firearms, and have him examine it.

WRITE US concerning any items or circumstances which you don't understand and which might relate to your safety and the operation of your firearm.

WARNING

BEFORE LOADING or firing a Bolt Action Rifle, examine the bore and the firing chamber to be certain they are clean and free of any obstruction. Even a heavy coat of oil, grease, snow or water may result in damage to the firearm and injury to the shooter and/or persons near the firearm. A misfire or unusual sound upon firing is a signal to cease firing and to examine the chamber and bore. If there is any obstruction, clear the obstruction and clean the bore and chamber before firing.

FIRING WARNING

When shooting, full eye and ear protection is mandatory at all times. Shooters and spectators must wear shooting glasses and sound suppressor to prevent eye injury and hearing loss. ***Vision loss and hearing impairment can occur with only one moment of non-protection.***

WARNING

Any bore obstruction, even if it is only partly blocked, may cause the gun to blow up if it is fired, or may cause damage to the gun such as a bulged barrel. To avoid injury or death to the shooter or bystanders, check the barrel before shooting or if a shot does not sound normal.

WARNING

Always keep the muzzle pointed in a safe direction! Never attempt to load or unload any firearm inside a vehicle, building or other confined space (except a properly constructed shooting range). Enclosed areas frequently offer no completely safe direction in which to point the firearm. If an accidental discharge occurs, there is great risk of injury or property damage. Before loading, always clean all, grease and oil from the bore and chamber, and check to be certain that no obstruction is in the barrel. Any foreign matter in the barrel could result in a bulged or burst barrel or other damage to the firearm and could cause serious injury to the shooter or to others.

WARNING

If there is any reason to suspect that a bullet or projectile is obstructing the barrel, immediately unload the firearm (See Unloading Instructions) and check the chamber and the bore. A bullet may be lodged some distance down the barrel where it can not easily be seen. Check the bore by using a cleaning rod

to pass through the barrel. If a blockage is in the bore, DO **NOT** ATTEMPT TO SHOOT IT OUT WITH ANOTHER CARTRIDGE, OR BLOW IT OUT WITH A BLANK CARTRIDGE OR A CARTRIDGE FROM WHICH THE BULLET HAS BEEN REMOVED. SUCH TECHNIQUE(S) CAN GENERATE EXCESSIVE PRESSURE, DAMAGE THE FIREARM AND CAUSE SERIOUS PERSONAL INJURY. If the blockage can be removed with a cleaning rod, clean any unburned powder grains from the bore, chambers & mechanism before resuming shooting. If the blockage can not be dislodged by tapping it with a cleaning rod, take the firearm to a gunsmith.

WARNING (Mechanical Malfunctions)

STOP SHOOTING IMMEDIATELY AND UNLOAD YOUR FIREARM if your firearm develops: a mechanical malfunction; binding or stoppage; spitting powder/gas; a cartridge primer is punctured; a cartridge case is bulged or ruptured; or the sound on firing does not sound quite right. Do NOT try one more shot but unload your firearm and take it and the ammunition to a qualified gunsmith or send it back to EAA for examination. Do not assume that the Bolt Action Rifle is empty merely because you checked the chamber. You must also check the bore for any fired cartridge jammed inside the barrel.

External Control Parts:

Safety : You rifle has a large flip lever, located at the rear of trigger. Moving the lever from behind the trigger in a rotating motion disengages the safety or turns it off or in the ready to fire position. Moving the lever behind the trigger engages the safety or puts the rifle in the safe position. When your safety is not blocking the trigger your rifle is in the fire position. Your rifle safety is simply a trigger block when engaged. To load and unload the rifle put safety in a position so that it blocks the trigger. **WARNING....KEEP FINGERS AWAY FROM TRIGGER DURING ALL SAFETY MOVEMENT.....MAKE SURE YOU UNDERSTAND HOW THE SAFETY WORKS BEFORE YOU LOAD OR USE THE BOLT ACTION RIFLE)....NOTE: WITH SAFETY ENGAGED OR "ON" THE BOLT HANDLE IS free to move. See Fig A (engaged), Fig B (disengaged)**

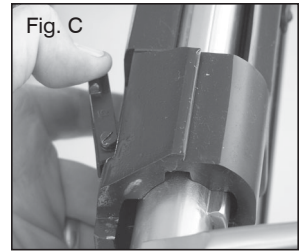
Trigger : Located in the trigger guard. If the safety is disengaged and the mechanism has been cocked and a live round has been loaded into the chamber and the trigger is pulled to the rear the Bolt Action Rifle will discharge.

Rear and Front Sight : Not adjustable

Scope Mount: Optional with or without rings or with rail, depending on type

Bolt Stop : Located on left hand side of receiver, Pull out to remove or install bolt, note magazine must be removed to move bolt past magazine follower. **See Fig C**

Bolt : Located in center of receiver after assembly, Used to load and unload round and houses firing pin assembly and is the firing mechanism.



2. The rifle (Fig. 1) consists of the following parts and assemblies: barrel (1), receiver (2), triggering mechanism (3), bolt (4), stock (5), muzzle brake (6), magazine (7), bipod (8), optical sight (9), handgrip (10), mechanical sight (11), carrying handle (12), wooden cover (13), accessories (14).

1) BARREL

3. Function of the barrel (1, Fig. 1) is to give bullet the direction of flight. Cartridge chamber and bullet lead section of the barrel are protected from corrosion by chrome coating.

There are two threads on the barrel exterior; the one on the front part connects it with the muzzle brake while that on the rear part joins it with the receiver.

4. The sights (front and rear) (11, Fig. 1) are folding type, non-adjustable, allowing for firing at distances up to 400 m. The sight bases are provided with dovetail guides which fit onto corresponding dovetail lugs located on the barrel.

2) RECEIVER

5. Function of the receiver (2, Fig. 1) is to join together all parts of the rifle into a functional whole. The interior of the receiver serves to accommodate and guide the bolt. Inside the receiver (Fig. 2) there are:

- two longitudinal grooves (1) along which bolt nipples slide in forward-backward movement,
- two lugs (2) upon which the bolt nipples rest when closing the barrel bore with a part of spiral surface along which the bolt nipples slide in locking and unlocking - achieving the ultimate pushing of the round and extraction of the case out of the cartridge chamber respectively,
- lug in the rear part (3) as a support for the bolt rear nipple with a corresponding part of spiral surface,

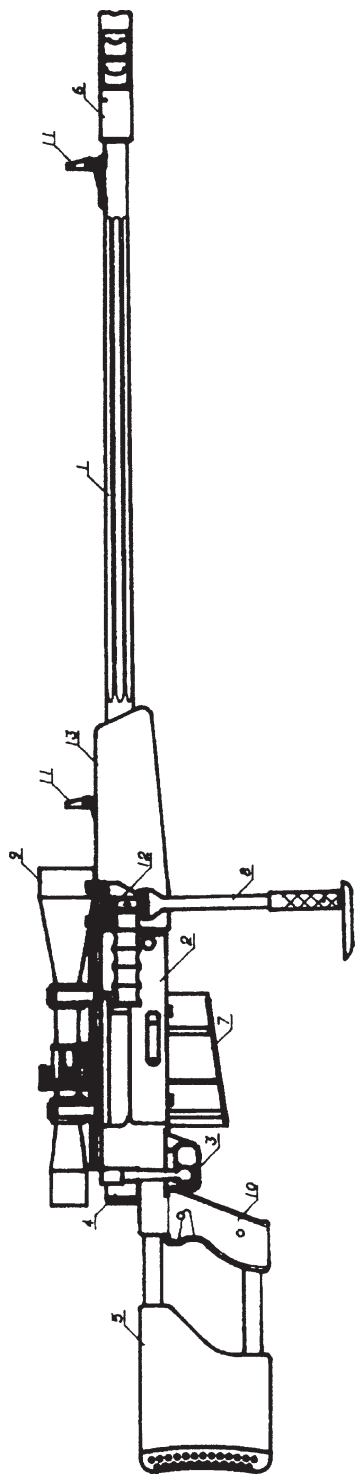


Fig. 1 – General view of the .50 Browning

- rectangular opening (4) above the lug supporting the rear nipple to guide the body in its movement forward-backward. Inside the receiver on the left side there are fixed the bolt stop and case ejector, on the right side is fixed the magazine catch, while the triggering mechanism is fixed from the underside.

On the receiver there are the following:

- top opening (5) for inserting the round when loading the rifle and for ejecting the case or round,
- bottom rectangular opening (6) to accommodate the magazine,
- lug (7) for connection with the handgrip and upper shaft for connection with the stock,
- on the rear side there is a spiral surface (8) for unlocking the bolt while pulling the bolt into its rearmost position,
- lug (9) in dovetail shape for connection with the optical sight mount.

The front end of the receiver is provided with a thread for joining it with the barrel.

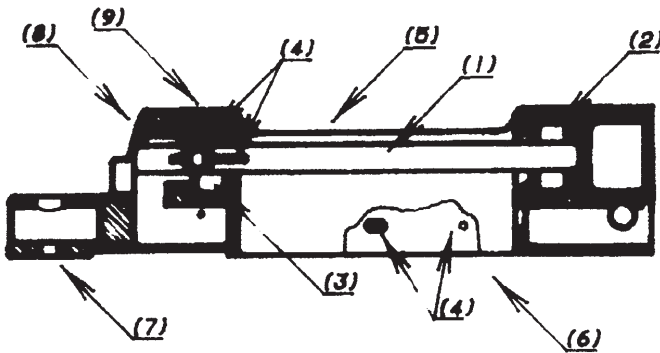


Fig. 2 – Receiver

3) TRIGGERING MECHANISM

6. Function of the triggering mechanism (Fig. 3) is to retain the striker in cocked position when the bolt is locked and to release it at pulling the trigger.

The parts of the mechanism are:

- trigger (1) serves to act upon the sear. When the trigger is pulled the trigger first rests upon a circular-segmented lug (the first knee), and then the trigger rest moves from the lug to a rounded part on the other end of the trigger (the second knee),
- trigger rest (2)

- sear (3) serves to retain the striker in cocked position by means of the spring. The sear front end is pressed by the spiral spring holding its rear end in upper position. The sear turns around its pin in the receiver,
- spring (4),
- trigger guard (5) with trigger safety; the trigger safety is situated behind the trigger, in the guard. The safety has two positions: vertical position (locked) whereat pulling the trigger backward and firing are made impossible, and horizontal position to the left (unlocked). The trigger safety ensures reliability of operation of the mechanism.

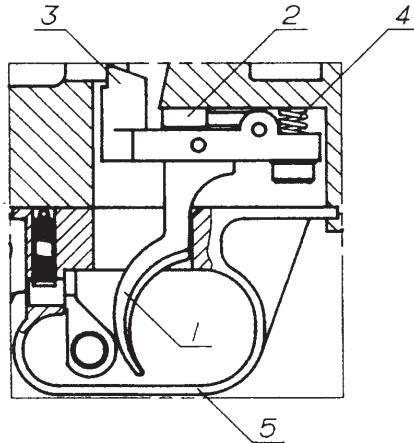


Fig. 3 – Triggering mechanism

4) BOLT

7. Functions of the bolt (Fig. 4) are as follows: pushing the round into the cartridge chamber, closing the barrel bore, firing the round, extracting the case.

The basic parts of the bolt are: bolt body and firing mechanism.

8. The parts of the bolt body are:

- bolt handle (1),
- bolt nest with the rim (2) which accomodates the cartridge case bottom
- groove (3) through which the firing pin bracket passes,
- slot for ejector (4),
- ring shaped groove (5) which accomodates the extractor fixing ring,
- spiral surface (6) for cocking the striker,
- two front nipples (7) with corresponding spiral surfaces on their edges which push the round into the cartridge chamber while the bolt moves forward that is, in locking,

- rear nipple (8) – takes up and transmits load upon the receiver in extreme cases of pressure upon the bolt face,
- bolt body guide (9) prevents radial movement of the bolt until the moment of locking when pushing the bolt forward and backward,
- extractor (10) is located in the front part of the bolt. To engage the cartridge case there is a lug which can move in relation to the bolt so that the extractor lug can grip the cartridge case rim while the bolt is reaching the front position having chambered the round,
- ring (1),
- coupling (12) with firing spring guide.

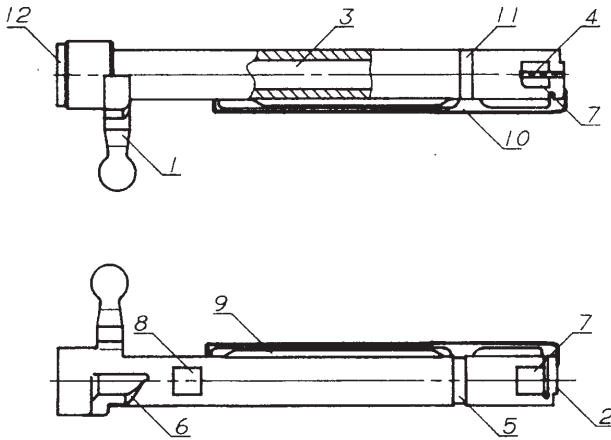


Fig. 4 – Bolt

9. Firing mechanism (Fig. 5) serves to fire the round which is in the chamber.

The parts of the firing mechanism are:

- striker (1) is equipped with a projection with a catch which by its front end engages the sear of the triggering mechanism when the bolt is being pushed;
in unlocking the striker compresses the firing spring through the spiral surface on the bolt body;
- firing spring guide (2);
- firing pin (3) serves to fire the primer: it is of cylindrical shape with coned and rounded top;
- firing spring (4) pushes the striker into front position so that the firing pin fires the primer of the round;
- coupling (5).

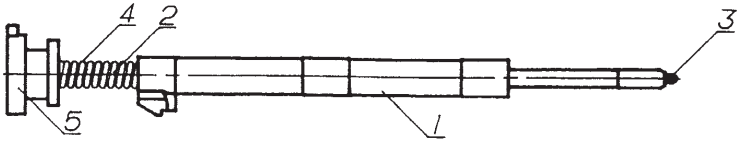


Fig. 5 – Firing mechanism

5) STOCK

10. The stock (8) serves for resting the rifle upon the shoulder in firing. It is connected to the receiver and handgrip with guides and fixed to them by means of screws.

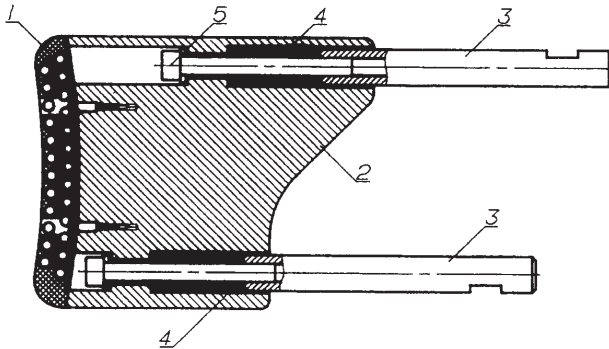


Fig.6 – Stock

The parts of the stock are:

- pad (1) serves as the rifle rest against the shooter's shoulder during aiming and firing,
- wooden rest (2) contains holes for accomodation of the springs which absorb the recoil force in firing,
- guide (3) connects the stock with the receiver and handgrip. The lower guide is held by hand during firing,
- spring (4) serves to absorb the recoil force in firing and returns the barrel with the receiver and handgrip into the foremost position after firing,
- screw (5) is used to adjust the spring and to connect the stock to the guides.

6) MUZZLE BRAKE

11. The muzzle brake (Fig. 7) is used to reduce the recoil energy of the weapon. It is located at the barrel muzzle attached to it by its threaded part and secured in horizontal position in relation to the rifle by means of its securing pin.

The force of the muzzle brake acts in the direction opposite to the weapon recoil and occurs due to change of direction of flow of a certain quantity of powder gases which flow out of the barrel. The gases formed by powder combustion flow out through lateral openings on the muzzle brake.

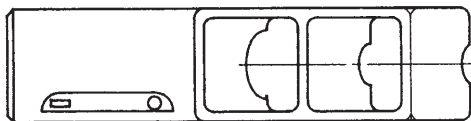


Fig. 7 – Muzzle brake

7) MAGAZINE

12. The magazine (Fig. 8) serves to hold the specified quantity of ammunition and to move it to the lips in firing.

The magazine is loaded with five rounds in two rows alternatively.

The magazine consists of the following parts:

- magazine body, inseparable assembly, (1) includes two sides, left and right, and two abutments (bigger and smaller). In magazine design special attention is devoted to shape and dimensions of the magazine lips which serve for holding the round within the magazine and ensuring its direction while it is being pushed into the cartridge chamber. The shape of the lips allows for only one round at a time to be gripped by the bolt and chambered;

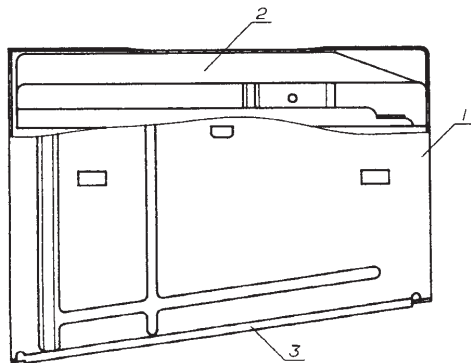


Fig. 8 – Magazine

- cartridge follower (2) – its role is to ensure that the round reaches the lips in due time - before the bolt reaches the position for gripping the round. For proper functioning of the follower it is necessary that the force of the spring of the cartridge follower mechanism is sufficient to move the round with acceleration which ensures that all the rounds travel the necessary path so that the next round reaches the magazine lips and can be pushed into the cartridge chamber;
- magazine bottom plate (3).

8) BIPOD

13. The bipod (Fig. 9) is used as a rest in firing. The bipod height can be adjusted if necessary by means of a clamping guide which fixes the bipod at the height required. The bipod has two positions: folded and extended.

The main parts are:

- bipod body with swivel joint (1),
- telescopic leg with shoe (2),
- bipod sleeve (3) serves to connect the bipod to the rifle,
- handle (4) serves for changing the position of the bipod.

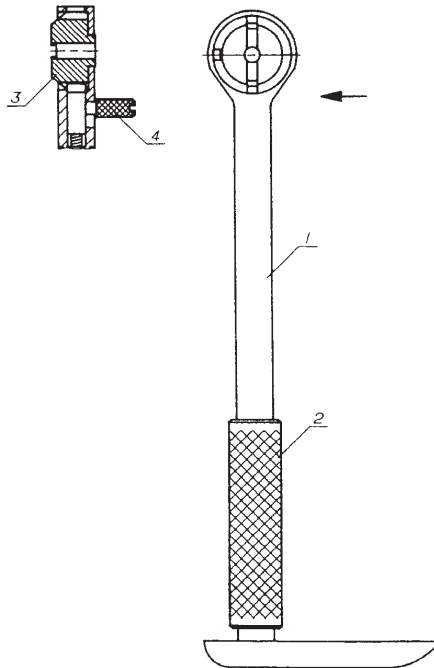


Fig. 9 – Bipod

9) OPTICAL SIGHT (OPTIONAL)

14. The optical sight (Fig. 11) serves for firing at various distances.

The basic parts are:

- mount (1) with dovetailed guides which fit onto corresponding lugs in the shape of dovetail provided on the receiver. Along the whole length of the guide there is an opening bridged in the middle with a screw and a wing which, in proper position, tightens the mount to the receiver thus fixing the optical sight to the rifle;
- on the right side of the mount at two places on the guide there are clips into whose openings the scope is inserted through two rings (plastic) and two movable semi-clips;
- the scope (2) has fixed magnification of 8x. Up to the distance of 1400 m the reticle is adjusted by means of the corresponding knob marked from 4 to 14 on the top side of the scope; over 1400 m aiming is done by means of respective divisions at the reticle (Fig. 10).
- screw with fixing pin (3).
- firing range adjusting screw (4).
- traverse adjusting screw (5).

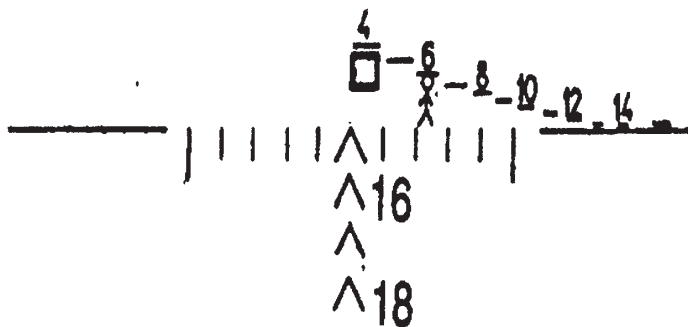


Fig. 10 – Reticle

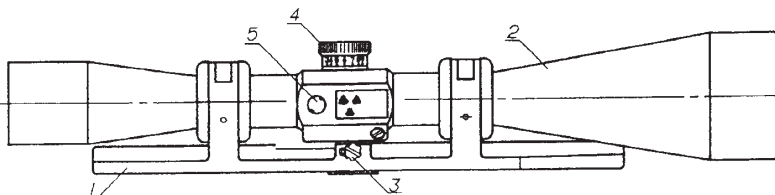


Fig.11 – Optical sight

10) HANDGRIP

15. The handgrip (Fig. 12) serves as a hand rest in firing and it joins the stock to the receiver.

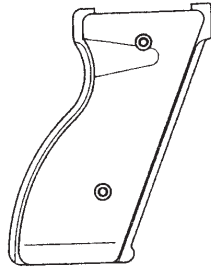


Fig. 12 – Handgrip

11) CARRYING HANDLE

16. The carrying handle (Fig. 13) serves for carrying and taking the rifle from one combat position to another.

It consists of the handle which is connected to the slide through a hinged lever; through the slide and by means of two screws the handle is connected to the same securing sleeve as the bipod of the rifle. The handle has two positions: extended and folded position for packing into the rifle packing case.

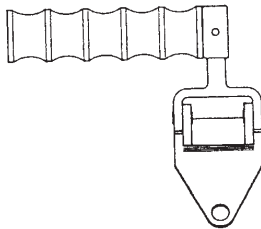


Fig. 13 – Carrying handle

12) ACCESSORIES

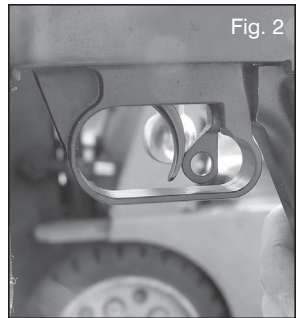
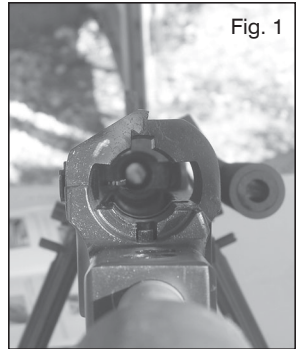
17. The accessories are intended for cleaning, lubrication and assembling of the rifle.

The accessories include the following items:

- barrel bore cleaning rod (1),
- optical sight adjusting tool (2),
- screwdriver for tightening the optical sight mount (3),
- gun lubricant can (4),
- barrel bore cleaning and lubrication brush (5).

Directions For Assembly Of Bolt Action Rifle:

- 1) Remove protective wrapping from rifle and bolt and engage the safety and remove the magazine
- Fig 1 : While keeping the rifle pointed in a safe direction at all times, make sure the rifle receiver and action are free of debris...While the bolt is out look inside barrel from the receiver end to assure that the gun is free of debris, if you find debris clean before firing and assembly
- 2) Fig 2: Make sure the safety is engaged after completion of assembly. (See Safety Notes above)
- 3) Fig 3: If your rifle was equipped with optional scope mount, install mounts.

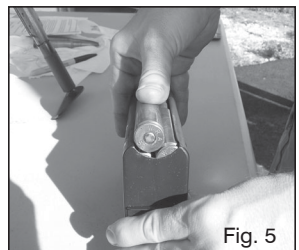
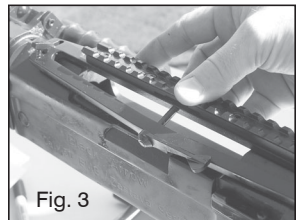


To Load Bolt Action Rifle:

- 1) Make sure the Bolt Action Rifle is pointed in a safe direction at all times, the safety is engaged, and never allow fingers or objects to contact trigger during loading.

⚠ Warning * Do not load Bolt Action Rifle until you are ready to fire**

- 2) Remove the magazine from the receiver by depressing the magazine release button on the right hand side of the receiver and pulling the magazine down and away from the receiver. See Fig 4.
- 3) Make sure the ammo that you are using is the correct caliber as identified on the receiver or barrel.
- 4) Visually inspect the chambers and barrel for obstructions. The chamber and barrel should be free of oil or grease or obstructions.
- **⚠ WARNING...ONCE YOU HAVE COMPLETED STEP 5 YOUR RIFLE HAS A CARTRIDGE IN THE CHAMBER AND WITH THE SAFETY DISENGAGED COULD FIRE, MAKE SURE YOU HAVE SELECTED THE CORRECT AMMUNITION BEFORE YOU ATTEMPTING STEP 5.**
- 5) Fig 5: Load desired number of rounds to be used into magazine a) Make sure safety is blocking the trigger b) Insert the magazine back



into the receiver c) Raise the bolt handle d) Pull the bolt handle all the way back e) Slide the bolt handle forward stripping a round from the magazine, then push the bolt handle down to lock the cartridge into the chamber.

⚠ WARNING

***Never keep or store your rifle loaded.....
There is no excuse for not being careful.....***

⚠ WARNING

Never load a round or cartridge into the chamber until you are ready to fire the Bolt Action Rifle...

To Fire Bolt Action Rifle:

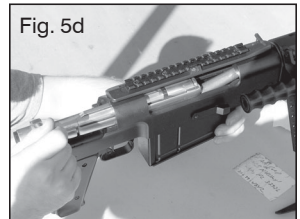
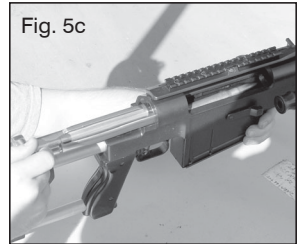
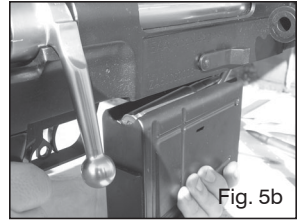
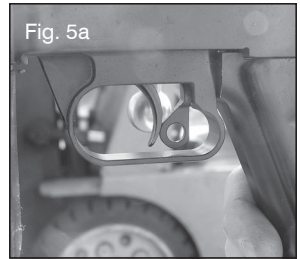
⚠ WARNING

- Do not disengage the safety until the Bolt Action Rifle is pointed in a safe direction and you are ready to fire.
- If a cartridge does not fire and the trigger has been pulled and the safety is disengaged...Stop! and do the following: a) Make sure the gun is pointed in a safe direction b) Engage the safety c) Wait 60 seconds d) Follow the instruction below for unloading the Bolt Action Rifle.
- If during firing the sound of any cartridge is noticeably softer or louder than the previous cartridge fired, Stop! Do not load another cartridge or fire another cartridge and do the following: a) Make sure the gun is pointed in a safe direction b) Engage the safety c) Follow the instruction below for unloading the Bolt Action Rifle d) With the Bolt Action Rifle unloaded visually inspect the Bolt Action Rifle for barrel blockage or damage and inspect the mechanical portion and receiver of the Bolt Action Rifle for damage before continuing.

PLEASE READ AND UNDERSTAND ALL WARNINGS IN THIS MANUAL BEFORE FIRING YOUR BOLT ACTION RIFLE, MAKE SURE YOU KNOW WHAT YOU ARE SHOOTING AT

There is no excuse for not being careful.....

- 1) Make sure the gun is pointed in a safe direction and that you are **wearing ear and eye protection and keep fingers away from triggers.**
- 2) Engage safety if not already engaged



- 3) Disengage the safety and begin firing only when you are ready to fire and the Bolt Action Rifle is pointed in a safe direction to be fired. At this point the Bolt Action Rifle will fire if the trigger is pulled.

To Unload Bolt Action Rifle:

- 1) Make sure the gun is pointed in safe direction and the safety is engaged and your fingers are away from the trigger

There is no excuse for not being careful.....There is no excuse for not being careful.....

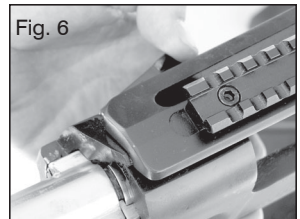
- 2) Remove the magazine
- 3) Raise the bolt handle and put one hand over the ejection port.
- 4) Slowly pull the bolt handle rearward to remove the cartridge from the chamber
- 5) The released cartridge should fall into the empty magazine well
- 7) Visually check that the barrel and chamber so that they are empty and free of obstructions
- 8) Never disengage the safety during unloading, simply the safety is blocking the trigger

To Disassemble The Bolt Action Rifle:

- 1) Make sure the Bolt Action Rifle is unloaded (FOLLOW UNLOADING INSTRUCTIONS) and pointed in a safe direction and the safety is engaged.
- 2) Make sure your fingers are away from the trigger.

There is no excuse for not being careful.....

- 3) Move safety lever to load / unload position (perpendicular to barrel axis)
- 4) Fig 6: Raise the bolt handle and move the bolt stop out or away from the receiver
- 5) Fig 7: Pull the bolt handle all the way back and out of the receiver. Check the barrel for damage and blockage after removal of the bolt



⚠ MANUFACTURER'S WARNING

This firearm was manufactured to properly perform with the original parts as designed. It is your duty to make sure any parts you buy are correctly installed and that neither replacements nor originals are altered or changed. Your gun is a complex tool with many parts that must relate correctly to other parts for

safe and accurate operation. Putting a gun together wrong or with modified parts can result in a damaged gun, injury or death to you or others through malfunction. Always let a qualified gunsmith work on your gun or at least, check any work not performed by a gunsmith. Firearms safety is your primary concern. **THE GUN OWNER MUST ACCEPT FULL RESPONSIBILITY FOR THE CORRECT REASSEMBLY AND FUNCTIONING OF THE FIREARM AFTER ANY DISASSEMBLY OR REPLACEMENT OF PARTS.**

Cleaning and Maintenance of Bolt Action Rifle:

Warning : Check to make sure the rifle is fully unloaded, see unloading instructions

- A) Follow procedures for unloading Bolt Action Rifle as described previously
- B) Follow procedures for disassembly of Bolt Action Rifle as described previously
- C) Materials needed to clean this Bolt Action Rifle are: a cleaning rod, cotton bore patches, brass bore brush, powder solvent, a small soft brush and good quality gun oil.

⚠ WARNING: Lead or lead compounds are known to the State of California to cause cancer, birth defects, reproductive toxicity, and other serious physical injury. Those who clean firearms should take protective measures to avoid contact or exposure to such chemicals.

There is no excuse for not being careful.....

D) Using the bore brush with powder solvent scrub the barrel and chamber to remove any powder and lead residue in the bore. Always and lastly, swab with cotton patch with gun oil to coat and protect the bore and chambers from rust and corrosion.

E) Any powder fowling on the firing wall, barrel, etc. can be easily cleaned with a brush and powder solvent.

F) All external surfaces should be wiped down with a light coat of rust preventative. Avoid using too much oil as dust and/or debris can get trapped in the oil creating a gum that in time will cause misfires.

G) CAUTION in using solvents in gun bore cleaning. Prolonged or excess contact with finish or bluing can damage the gun's finish. Be sure to wipe away all excess solvent and then lubricate with oil.

H) A gun should be cleaned after firing. In addition, external parts should be wiped with an oiled cloth after handling. A light oil is ordinarily all that is

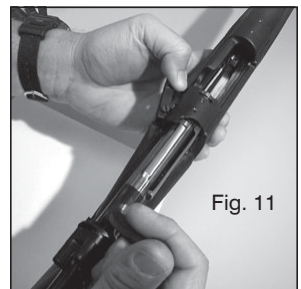


Fig. 11

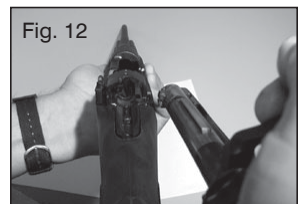


Fig. 12

necessary in cleaning if the gun has not been fired or fired very little. If a gun is used frequently, it must be cleaned after each firing and regularly serviced by a professional gunsmith. If the gun has been stored, remove all excess oil and/or grease before firing. Always check to be sure that no cleaning patch or other obstruction remains in the bore or chambers before firing.

3. STRIPPING AND ASSEMBLING OF THE RIFLE

21. In stripping and assembling rifles should be handled carefully, not allowing the parts to strike one another, and always observing the rule that stripping and assembling should be done on a table or bench, and when in the field on a clean rug.

The rifle is stripped for the purpose of inspection, cleaning, lubrication, replacement and repair of parts. Before stripping the rifle must be emptied and checked for that. Frequent stripping is harmful because it leads to sooner wear of parts.

22. Partial stripping of the rifle includes the following:

- place the rifle on the table (ground) resting on its bipod;
- take the bolt out by pressing upon the bolt stop with the left hand thumb and opening and taking the bolt out with the right hand. Further stripping includes stripping of the bolt by the following sequence: Separate the firing spring coupling while resting the bolt nest upon a wooden object. Take the bolt body in the left hand and, retaining the handle with the thumb, press the firing pin guide with the right hand and turn it right by 90° whereby it gets disengaged from the bolt body; releasing gradually the pressure of the firing spring, take the firing spring and the striker out of the bolt body.

23. Assembling of the bolt is performed by the following procedure:

- put the striker into bolt body so that its lug enters the groove on the bolt body,
- put the firing spring into the striker bringing the bolt into vertical position and resting its nest upon a wooden object; by pressing from above upon the firing spring guide put it into such a position that the corresponding part on the guide slips into its place within the bolt body.

Then turn the guide to the left by 90° so that it is engaged to the bolt body.

Incomplete stripping of the rifle is shown in the following figures.

Further stripping and assembling may be carried out only by expert personnel.

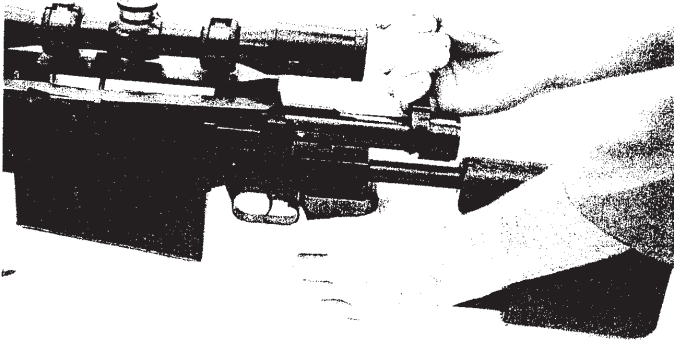


Fig. 14 – Taking the bolt out

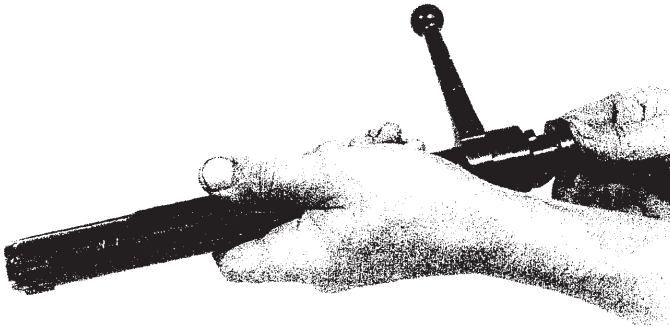


Fig. 15 – Stripping of the bolt

DANGER -- AMMUNITION WARNING

Firearms may be damaged and serious injury or death to the shooter or bystander may result from any condition which contributes to the generation of excessive pressure or uncontrolled release of gas within the firearm. Such adverse conditions can be caused by bore or chamber obstruction, propellant powder overloads or by defective, incorrect or improperly loaded and assembled cartridge components. Even the strongest firearm can be blown up as a result of excessive pressure. It is extremely dangerous to use a cartridge whose pressure is greater than that developed by cartridges loaded to industry standards.

AMMUNITION (CARTRIDGES) NOTICE

We specifically disclaim responsibility for any damage, injury or death occurring in connection with or as the result of the use of European American Armory Bolt Action Rifle of faulty, non-standard, remanufactured, hand loaded or reloaded ammunition, used cartridges or cartridges other than factory cartridges for which the firearm was originally chambered.

LUBRICATION WARNING

Firing a Bolt Action Rifle with oil, grease or any other material even partially obstructing the bore may result in damage to the Bolt Action Rifle and injury to the shooter and those nearby. Do not spray or apply lubricants directly on ammunition. If the powder charge of a cartridge is affected by the lubricant, it may not be ignited, but the energy from the primer may be sufficient to push the bullet into the bore where it may become lodged. Firing a subsequent bullet into the obstructed bore will damage the Bolt Action Rifle and may cause injury to the shooter and those nearby. Use lubricants properly. You are responsible for the proper care and maintenance of your firearm and ammunition.

ONE YEAR LIMITED WARRANTY

This European American Armory Corp. firearms is warranted to the original retail customer for One Year from date of purchase against defects in material and workmanship. All parts and labor or replacement **at our option** are covered. Wood Stock and Wood Forend are not covered by the One Year Warranty. The warranty on the wood stock and forend is 60 days from purchase and only covers manufactured and material defects.

Transportation to and from our repair facilities, government fees, damage caused by failure to perform normal maintenance, sales outside the United States, damage due to use of high velocity, high pressure, reloaded or other nonstandard ammunition, or any unauthorized repair, modification, misuse, abuse, or alteration of the product is not covered by this Limited Warranty.

Any implied warranties, including the implied warranties of merchantability and fitness for a particular purpose, are limited to one year from date of original retail purchase. Consequential or incidental damages and/or expenses, or any other expenses are not covered by this warranty.

To obtain warranty performance send your firearm with proof of retail purchase, freight prepaid to:

European American Armory Corp.
411 Hawk Street
Rockledge, Florida 32955

WARNING

Altering or modifying parts and/or internal safeties is dangerous and will void the warranty. This Bolt Action Rifle was manufactured to perform properly with the original parts as designed. It is your duty to make sure any parts you buy

are made for this firearm and are installed correctly and that neither the replacements nor originals are altered or changed. Your gun is a complex precision tool with many parts that must relate correctly to other parts in order for proper and safe operation. Putting a gun together wrong or with incorrect or modified parts can result in a damaged gun, danger, and injury or death to you and others through malfunction. Always have a qualified gunsmith work on your gun or at least check any work not performed by a gunsmith.

PARTS LIST AND PARTS EXPLOSION

WARNING

Children are attracted to and can operate firearms that can cause severe injuries or death.

Prevent child access by always keeping guns locked away and unloaded when not in use. If you keep a loaded firearm where a child obtains and improperly uses it, you may be fined or sent to prison.

ADVERTENCIA

A los niños les atraen las armas de fuego y los pueden hacer funcionar. Ellos pueden causarse lesiones graves y la muerte.

Evite que los niños tengan acceso a las armas de fuego guardándolas siempre con llave y descargadas cuando no las esté utilizando. Si usted tiene un arma de fuego cargada en un lugar en que un niño tiene acceso a ella y la usa indebidamente, le pueden dar una multa a enviarlo a la cárcel.

YOUR OWNERS' MANUAL

Always keep this manual with your firearm. Make sure you understand all the warnings, operation instructions and safety procedures. When you lend, give or sell the firearm, be sure this manual goes with it. You can get a copy of this manual from European American Armory on request.

ALL PARTS ORDERS ARE SUBJECT TO A \$10.00 CHARGE FOR SHIPPING AND HANDLING. Please state Model, Caliber, Serial Number, and Finish Color when ordering. For parts, information and service contact: European American Armory Corp., 411 Hawk Street, Rockledge, Florida 32955 Phone: (321) 639-4842.

MANUFACTURER'S WARNING

This firearm was manufactured to properly perform with the original parts as designed. It is your duty to make sure any parts you buy are correctly installed and that neither replacements nor originals are altered or changed. Your gun is a complex tool with many parts that must relate correctly to other parts for safe and accurate operation. Putting a gun together wrong or with modified parts can result in a damaged gun, injury or death to you or others through malfunction. Always let a qualified gunsmith work on your gun or at least, check any work not performed by a gunsmith. Firearms safety is your primary concern. **THE GUN OWNER MUST ACCEPT FULL RESPONSIBILITY FOR THE CORRECT REASSEMBLY AND FUNCTIONING OF THE FIREARM AFTER ANY DISASSEMBLY OR REPLACEMENT OF PARTS.**

MANUFACTURER:



Zastava
a r m s

ZASTAVA ORUŽJE AD
34000 KRAGUJEVAC, Trg topolivaca 4
Serbia
Phone > ++381 34 336077
Fax > ++381 34 323683

e-mail > zastavanp@ptt.yu
web site > zastava-arms.co.yu

IMPORTER:

EAA Corp.
411 Hawk Street
Rockledge, FL 32955
321-639-4842
www.eaacorp.com