

---

# BIATHLON

## “Series”

### Bolt Action Rifle

# FIREARMS INSTRUCTION MANUAL

European American Armory Corp.  
3855 North U.S. Highway One  
Cocoa, Florida 32926  
(321) 639-4842  
[www.eaacorp.com](http://www.eaacorp.com)  
E-mail: [eaacorp@bv.net](mailto:eaacorp@bv.net)

---

© Copyright EAA Corp. 05/02

# EAA MODEL: BIATHLON "SERIES" BOLT ACTION RIFLE

## WARNING AND INSTRUCTION MANUAL PLEASE READ THESE INSTRUCTIONS

MODEL NUMBER	BARREL LENGTH	CALIBERS	FINISH
BIATHLON BASIC	19.5 Inches	22LR or 22 WMR	BLUE
BIATHLON	19.5 Inches	22LR	BLUE
BIATHLON 7-3	19.5 Inches	22LR	BLUE
BIATHLON 7-4	19.5 Inches	22LR	BLUE

### GENERAL INFORMATION:

Weight (average) - 7.3 LBS..

Overall Length - 19.5" Inches

FOR YOUR SAFETY AND THE SAFETY OF OTHERS, this owner's manual contains important warnings and safety procedures which must be understood BEFORE using this firearm. Read the entire manual and if you do not understand any part of it or the operation of your Bolt Action Rifle, stop and seek professional firearms instructions. You can get a copy of this manual from European American Armory Corp. on request.

Record the serial number of your firearm

# \_\_\_\_\_

and a description of it:  
\_\_\_\_\_

Make a copy of this manual, proof of purchase/sales record for safekeeping in a secure safe or fireproof container. Such proof is necessary if the firearm is stolen or for warranty repair. Before handling any firearm, make sure you know the safety procedures and most importantly, keep the firearm pointed in a safe direction.

### **WARNING**

**\*\*YOU RISK INJURY OR DEATH BY HANDLING THIS FIREARM\*\***

Before handling this firearm, read, understand and follow the instructions in this manual. Always keep this manual with the firearm. If you lend, give or sell this firearm, be sure the manual goes with it. If there is anything you do not understand, seek advice from someone qualified in safe handling of firearms.

### **WARNING**

\*This firearm should always be transported and stored unloaded in its case.\*

### **Type Of Ammunition To Be Used:**

It is suggested that high quality commercially manufactured ammunition be used in this firearm. Some factory ammunition works better than others and you should stick with the brand you find works well in your Bolt Action Rifle. Avoid military surplus or hot loaded ammo. The use of reloaded, high pressure or hand loaded ammunition will void the warranty.

### **NOTICE**

BOLT ACTION RIFLES ARE CLASSIFIED AS FIREARMS OR DANGEROUS WEAPONS and are sold by European American Armory Corporation with the specific understanding that we are not responsible in any manner what-so-ever for their safe handling or resale under local laws and regulations.

European American Armory shall not be responsible in any manner whatsoever for malfunctioning of the firearm, for physical injury or for property damage resulting in whole or in part from (1) intentional or negligent discharge, (2) improper or careless handling, (3) unauthorized modifications and/or alteration to the internal/safety mechanisms, (4) defective, improper, high pressure, hand-loaded, or reloaded ammunition, (5) corrosion and/or lack of proper maintenance (6) neglect, or (7) other influences beyond our direct and immediate control. This limitation applies regardless of whether liability is asserted on the basis of contract, negligence or strict liability (including any failure to warn). Under no circumstance shall European American Armory Corporation be liable for incidental or consequential damages, such as loss of use of property, commercial loss and loss of earnings or profits.

### **Safety Procedures:**

1. We recommend that you get competent firearms instruction in safe handling before using this firearm. Please ask your dealer. All guns are extremely dangerous if carelessly handled or used. Remember that the firearm user is the primary "safety" and to depend on any mechanical devices is to be only half safe.
2. This firearm will fire if a cartridge is in the chamber and the trigger is pulled and the safety is disengaged.
3. DO NOT LOAD THIS BOLT ACTION RIFLE UNTIL YOU UNDERSTAND HOW THIS BOLT ACTION RIFLE OPERATES. KEEP this Bolt Action Rifle unloaded at all times except when ready to fire and you are sure of your target.
4. ALWAYS carry this Bolt Action Rifle in a case or original box unloaded.
5. NEVER point this Bolt Action Rifle at anything that is not your intended target even if this Bolt Action Rifle is unloaded. When loading, cleaning, unloading or handling, always be sure the muzzle is pointed in a safe direction and always keep your finger off the trigger.
6. NEVER assume any gun is unloaded. Before handling, check to make sure the chamber is empty. See unloading instructions and then unload any

ammunition. Make sure you know that this or any firearm is fully unloaded before displaying or handling it. When handling any firearm, keep your fingers away from the trigger at all times until you intend to fire.

7. **WARNING:** The actual firearm does not contain any lead; however, it does fire ammunition containing lead or lead compounds known to the State of California to cause cancer, birth defects, reproductive toxicity, and other serious physical injury. Those who discharge a firearm, stand near someone who discharges a firearm or cleans firearms are hereby warned of the dangers presented by lead and lead compounds and should take protective health measures. Avoid exposure to lead while handling and wash your hands after contact. Proper air ventilation is absolutely necessary when shooting indoors.

### **AMMUNITION WARNING**

Old, Hot-loaded and/or reloaded ammunition may be dangerous. Because of the poor or nonexistent quality control standards among some companies or people who make reloaded ammunition and the dangers of overloads and under loads (squib loads) which may occur, we recommend that only good quality new factory ammunition be fired in our firearms. [If you prepare your own hand loads, do NOT exceed recommended pressures in line with those generated by standard factory loads as manufactured by Remington, Winchester, Federal, PMC or other reputable companies.] Old ammunition may not fire with sufficient force to expel the projectile from the barrel.

### ***READING THESE SAFETY RULES WILL SAVE YOUR LIFE OR THE LIFE OF SOMEONE ELSE***

Get instructions from a competent firearms instructor before using this or any firearm. Learn from a professional how to handle, load, unload, operate, fire and care for your gun.

NEVER PLAY with your firearm. It is not a toy and can be a very dangerous weapon that can cause serious personal injury or death.

Always keep the gun pointed in a safe direction. Treat every gun as if it is loaded...all the time. NEVER point any firearm (loaded or unloaded) at any person or anything you do not intend to shoot. Always keep your gun unloaded until ready to use and make sure that it is unloaded before cleaning.

Keep your finger OFF the trigger until you are actually aiming at the target and ready to shoot. Learn to rest your finger outside of the trigger guard.

Never rely on a gun's "safety" to protect you from unsafe gun handling. A safety is only a mechanical device, not a substitute for common sense and gun safety procedures.

Never leave a gun unattended or where it could fall and fire.

Store guns and ammunition separately **beyond the reach of children.** Make

sure that they are properly secured so untrained individuals and children will be denied access to your guns and ammo.

Test your gun's operation and safeties only at a shooting range while the firearm is pointed in a safe direction.

Know your target and what is beyond. Ask yourself what your bullet will hit if it misses the target or passes through the intended target. Remember, a fired projectile can travel over a mile (including a ricochet) and is capable of going through walls.

Guns and alcohol or drugs do not mix. Don't take any alcoholic beverages and/or drugs before or during shooting activities.

***READING THESE SAFETY RULES WILL SAVE YOUR LIFE  
OR THE LIFE OF SOMEONE ELSE***

Never pull a gun toward you by the muzzle. Don't climb a tree, cross a ditch or fence with a loaded gun.

Always empty guns before entering a house, car, truck, boat, RV, camp or any building.

When receiving a gun, always open the action and check to make sure the chamber is unloaded.

NEVER accept anyone's word that a gun is "unloaded" or "empty". You should immediately open the action and check to make sure it is unloaded.

Be careful with ALL ammunition. Even "blank" cartridges are deadly at close range due to the muzzle blast. Make sure your ammunition is in new and in good clean condition. Do NOT oil or grease ammo as this may damage the cartridge primer. Do NOT tamper with or alter the standard factory ammunition.

Keep firearms unloaded when not actually in use. Load the gun only when on the range preparing to fire and unload it before leaving the range.  
Never put your hand over the muzzle of a gun.

**ALWAYS WEAR** protective shooting glasses and hearing protection when using firearms.

Spectators should be at least 10 feet behind and away from the shooter while the shooter is loading, shooting and unloading. Spectators should wear protection for hearing and sight loss and they should avoid distracting those shooting their firearms.

Never drop your gun. If you do drop it, unload it and check it for proper function before using it again.

Do NOT alter or modify your gun. Don't try to change your gun's trigger pull,

because it may affect sear engagement and thereby cause accidental firing.

Do NOT remove any internal safety or safety device on the firearm. Safety mechanisms are designed to protect you from injury or death.

Do maintain and keep your gun clean. Keep in a dry place away from other metals and water. If your gun shows sign of corrosion or improper operation, have it serviced by a competent gunsmith.

Keep the muzzle pointed in a safe direction when loading and unloading your gun. Never point the muzzle at anyone.

Never shoot at hard flat surfaces or water....bullets ricochet.

If a gun fails to fire when the trigger is pulled, keep it pointed down range at the target for 60 seconds. Sometimes slow primer ignition will cause a "hang fire" and the cartridge will go off after a short pause. If it still fails to fire, keep muzzle pointed in safe direction and avoid exposure to the breech, as you attempt to unload your firearm.

Never let water, snow, mud or other material enter the barrel. Always be sure the barrel is free of any obstruction.

***READING THESE SAFETY RULES WILL SAVE YOUR LIFE  
OR THE LIFE OF SOMEONE ELSE***

Since many ammunition identifications sound similar, be sure that you use only the correct ammunition for your gun. Do NOT use the wrong size or wrong strength ammunition in your firearm.

Repeated and prolonged exposure to gunfire may cause toxic levels of lead in your body. High levels of lead in the blood may result in cancer, impotency, birth defects and other serious physical injury. When shooting indoors, make sure there is proper fresh air ventilation.

Teach children: 1. NOT to touch guns, bullets, cartridges, shells, flares or any explosive device and 2. If they discovery such a dangerous item or weapon, they must immediately report its location to their parents, school teacher or police. Remember a firearm has the capability of taking your life or the life of someone else. Be careful with your firearm -- an accident is almost always the result of not following basic safety rules.

HOME SAFETY IS PROBABLY YOUR BIGGEST CONCERN. We suggest a gun lock such as Master Gun Locks. They work on most firearms and are available in gun shops and sporting goods departments. For more information write: Master Lock Company, P.O. Box 10367 Milwaukee, WI 53210. You have invested this much in your new firearm, now invest a little more in your family's safety.

USED FIREARMS - If you got your European American Armory firearm as a used gun, BEFORE USING IT you should unload it and check all its functions to be sure it works correctly. Firearms are sometimes altered to work incorrectly, or parts may be removed, lost or replaced with incorrect parts. First, unload it and check it yourself and then take it to a good gunsmith who knows European American Armory firearms, and have him examine it.

WRITE US concerning any items or circumstances which you don't understand and which might relate to your safety and the operation of your firearm.

### **WARNING**

BEFORE LOADING or firing a Bolt Action Rifle, examine the bore and the firing chamber to be certain they are clean and free of any obstruction. Even a heavy coat of oil, grease, snow or water may result in damage to the firearm and injury to the shooter and/or persons near the firearm. A misfire or unusual sound upon firing is a signal to cease firing and to examine the chamber and bore. If there is any obstruction, clear the obstruction and clean the bore and chamber before firing.

### **FIRING WARNING**

When shooting, full eye and ear protection is mandatory at all times. Shooters and spectators must wear shooting glasses and sound suppressor to prevent eye injury and hearing loss. *Vision loss and hearing impairment can occur with only one moment of non-protection.*

### **WARNING**

Any bore obstruction, even if it is only partly blocked, may cause the gun to blow up if it is fired, or may cause damage to the gun such as a bulged barrel. To avoid injury or death to the shooter or bystanders, check the barrel before shooting or if a shot does not sound normal.

### **WARNING**

Always keep the muzzle pointed in a safe direction! Never attempt to load or unload any firearm inside a vehicle, building or other confined space (except a properly constructed shooting range). Enclosed areas frequently offer no completely safe direction in which to point the firearm. If an accidental discharge occurs, there is great risk of injury or property damage. Before loading, always clean all, grease and oil from the bore and chamber, and check to be certain that no obstruction is in the barrel. Any foreign matter in the barrel could result in a bulged or burst barrel or other damage to the firearm and could cause serious injury to the shooter or to others.

### **WARNING**

If there is any reason to suspect that a bullet or projectile is obstructing the barrel, immediately unload the firearm (See Unloading Instructions) and check the chamber and the bore. A bullet may be lodged some distance down the barrel where it can not easily be seen. Check the bore by using a cleaning rod to pass through the barrel. If a blockage is in the bore, DO NOT ATTEMPT TO SHOOT

IT OUT WITH ANOTHER CARTRIDGE, OR BLOW IT OUT WITH A BLANK CARTRIDGE OR A CARTRIDGE FROM WHICH THE BULLET HAS BEEN REMOVED. SUCH TECHNIQUE(S) CAN GENERATE EXCESSIVE PRESSURE, DAMAGE THE FIREARM AND CAUSE SERIOUS PERSONAL INJURY. If the blockage can be removed with a cleaning rod, clean any unburned powder grains from the bore, chambers & mechanism before resuming shooting. If the blockage can not be dislodged by tapping it with a cleaning rod, take the firearm to a gunsmith.

### **WARNING (Mechanical Malfunctions)**

STOP SHOOTING IMMEDIATELY AND UNLOAD YOUR FIREARM if your firearm develops: a mechanical malfunction; binding or stoppage; spitting powder/gas; a cartridge primer is punctured; a cartridge case is bulged or ruptured; or the sound on firing does not sound quite right. Do NOT try one more shot but unload your firearm and take it and the ammunition to a qualified gunsmith or send it back to EAA for examination. Do not assume that the Bolt Action Rifle is empty merely because you checked the chamber. You must also check the bore for any fired cartridge jammed inside the barrel.

### **External Control Parts:**

**Safety** : Your rifle has a push button, located at the front of the trigger guard. Moving the button rearward locks the trigger and bolt (red portion of safety is covered). Moving the button forward unlocks the trigger and bolt (red portion of safety showing). To load and unload the rifle move the safety button to the fire position so as to release the bolt for movement. **WARNING....KEEP FINGERS AWAY FROM TRIGGER DURING ALL SAFETY MOVEMENT....MAKE SURE YOU UNDERSTAND HOW THE SAFETY WORKS BEFORE YOU LOAD OR USE THE BOLT ACTION RIFLE)....NOTE: WITH SAFETY ENGAGED OR "ON" THE BOLT HANDLE IS LOCKED. SEE FIG 1 (disengaged) & FIG 2 (engaged) ON PAGE 9....SEE OPTIONAL FEATURES SAFETY FOR USE WITH GLOVES ON PAGE 15.**

**Trigger** : Located in the trigger guard. If the safety is disengaged and the mechanism has been cocked and the trigger is pull Bolt Action Rifle will discharge, if there is a live cartridge in the chamber.

**Rear Sight** : Optional: Windage or Windage and Elevation adjustable.

**Scope Mount Rail** : Optional "Weaver® Rail Type" WEAVER® IS A TRADE MARK OF BLOWIT.

**Bolt** : Located in center of receiver, Used to load and unload round and houses firing pin assembly and is the firing mechanism. The bolt functions in a straight back and fourth movement. The black handle is moved rearward to open the bolt and extract a round or empty case. The bolt handle is pushed forward to close the bolt and pick up a round from the magazine. Note: The bolt contains a mechanism that prevents the firing pin from reaching the primer unless the bolt is closed. **Warning: Even though the bolt contains this type of safety device, we strongly recommend that you always check that the bolt is fully**



closed and you know where you are aiming before you pull the trigger no matter weather the safety is engaged or disengaged. **Warning: Never force bolt closed, bolt should close easily.**

**Magazine Release:** Located under the receiver and in front of the trigger guard. Used to release and load magazine, push rearward to release magazine.

### Directions For Assembly Of Bolt Action Rifle:

- 1) Remove protective wrapping from rifle, with gun pointed in a safe direction open bolt to assure the action is empty and free of debris.
- 2) Clean gun and run cleaning rod down barrel to assure that barrel and action is free of debris.
- 3) Close bolt and engage safety.
- 4) Make sure the safety is engaged. (Fig 2), (See Safety Notes above)

### To Load Bolt Action Rifle:

- 1) Visually inspect the chambers and barrel for obstructions. The chamber and barrel should be free of oil or grease or obstructions.
- 2) Make sure the Bolt Action Rifle is pointed in a safe direction at all times, the safety is engaged, and never allow fingers or objects to contact trigger during loading. (Fig 2)

### **Warning \*\*\* Do not load Bolt Action Rifle until you are ready to fire**

- 3) Remove magazine and load five or ten rounds of ammunition, make sure the ammunition is the type that is marked on the gun. (Fig 3)
- 4) Insert magazine back into magazine well until the magazine release engages the magazine. (Fig 4)
- 5) Disengage safety (Fig 1) and move bolt to the rear position, now move the

Disengaged



Engaged



bolt forward to strip around from the magazine and insert it into the chamber. (Fig 5) Once loaded re-engage the safety and do not disengage safety until you are ready to fire. Whenever the rifle is loaded always keep rifle with safety fully engaged so as to lock bolt and trigger and keep rifle pointed in a safe direction.



FIG 5 Biathlon 7-2 & "Basic"

• **WARNING...ONCE YOU HAVE COMPLETED THE ABOVE STEPS YOUR RIFLE HAS A CARTRIDGE IN THE CHAMBER AND WITH THE SAFETY DISENGAGED COULD FIRE, MAKE SURE YOU HAVE SELECTED THE CORRECT AMMUNITION BEFORE YOU FIRE THE RIFLE.**



FIG 5 Biathlon 7-3 & 7-4

**WARNING**

***Never keep or store your rifle loaded..... There is no excuse for not being careful.....***

**WARNING**

***Never load a shell or cartridge into the chamber until you are ready to fire the Bolt Action Rifle...***

**To Fire Bolt Action Rifle:**

**WARNINGS**

- Do not disengage the safety until the Bolt Action Rifle is pointed in a safe direction and you are ready to fire.
- If a cartridge does not fire and the trigger has been pulled and the safety is disengaged...Stop! And do the following: a) Make sure the gun is pointed in a safe direction b) Engage the safety c) Wait 60 seconds d) Follow the instruction below for unloading the Bolt Action Rifle.
- If during firing the sound of any cartridge is noticeably softer or louder than the previous cartridge fired, Stop! Do not load another cartridge or fire another cartridge and do the following: a) Make sure the gun is pointed in a safe direction b) Engage the safety c) Follow the instruction below for unloading the Bolt Action Rifle d) With the Bolt Action Rifle unloaded visually inspect the Bolt Action Rifle for barrel blockage or damage and inspect the mechanical portion and receiver of the Bolt Action Rifle for damage before continuing.

**PLEASE READ AND UNDERSTAND ALL WARNINGS IN THIS MANUAL BEFORE FIRING YOUR BOLT ACTION RIFLE, MAKE SURE YOU KNOW WHAT YOU ARE SHOOTING AT.**

***There is no excuse for not being careful.....***

- 1) Make sure the gun is pointed in a safe direction and that you are wearing ear and eye protection and keep fingers away from triggers.

- 2) Engage safety if not already engaged. (Fig 2)



- 3) Disengage the safety and begin firing only when you are ready to fire. Make sure the Bolt Action Rifle is pointed in a safe direction to be fired. Warning: The Bolt Action Rifle will fire if the trigger is pulled and the safety is disengaged and there is a live round in the chamber and the bolt is fully closed.....



- 4) To reload after firing move bolt to the rear and eject empty case and then move bolt forward to strip another round from the magazine and insert it into the chamber, repeat this process until the magazine is empty. To reload follow loading instructions. (Fig 5)

### To Unload Bolt Action Rifle:

- 1) Make sure the gun is pointed in safe direction and the safety is engaged and your fingers are away from the trigger.

**There is no excuse for not being careful.....There is no excuse for not being careful.....**

- 2) Remove the magazine.
- 3) Move safety to the forward position or disengaged position.
- 4) Put one hand over the ejection port to catch round as it is ejected. (Fig 7)
- 5) Slowly pull the bolt handle rearward to remove the cartridge from the chamber.
- 6) Visually check that the barrel and chamber so that they are empty and free of obstructions.
- 7) Re-engage (rearward position) safety once firearm is empty.



### MANUFACTURER'S WARNING

This firearm was manufactured to properly perform with the original parts as designed. It is your duty to make sure any parts you buy are correctly installed and that neither replacements nor originals are altered or changed. Your gun is a complex tool with many parts that must relate correctly to other parts for safe and accurate operation. Putting a gun together wrong or with modified parts can result in a damaged gun, injury or death to you or others through malfunction. Always let a qualified gunsmith work on your gun or at least, check any work not performed by a gunsmith. Firearms safety is your primary concern. **THE GUN OWNER MUST ACCEPT FULL RESPONSIBILITY FOR THE CORRECT REASSEMBLY AND FUNCTIONING OF THE FIREARM AFTER ANY DISASSEMBLY OR REPLACEMENT OF PARTS.**

### **Cleaning and Maintenance Of Bolt Action Rifle**

Warning : Check to make sure the rifle is fully unloaded, see unloading instructions

- A) Follow procedures for unloading Bolt Action Rifle as described previously.
- B) Follow procedures for disassembly of Bolt Action Rifle as described previously.
- C) Materials needed to clean this Bolt Action Rifle are: a cleaning rod, cotton bore patches, brass bore brush, powder solvent, a small soft brush and good quality gun oil.

**WARNING:** Lead or lead compounds are known to the State of California to cause cancer, birth defects, reproductive toxicity, and other serious physical injury. Those who clean firearms should take protective measures to avoid contact or exposure to such chemicals.

#### ***There is no excuse for not being careful.....***

- D) Using the bore brush with powder solvent scrub the barrel and chamber to remove any powder and lead residue in the bore. Always and lastly, swab with cotton patch with gun oil to coat and protect the bore and chambers from rust and corrosion.
- E) Any powder fowling on the firing wall, barrel, etc. can be easily cleaned with a brush and powder solvent.
- F) All external surfaces should be wiped down with a light coat of rust preventative. Avoid using too much oil as dust and/or debris can get trapped in the oil creating a gum that in time will cause misfires.
- G) CAUTION in using solvents in gun bore cleaning. Prolonged or excess contact with finish or bluing can damage the gun's finish. Be sure to wipe away all excess solvent and then lubricate with oil.
- H) A gun should be cleaned after firing. In addition, external parts should be wiped with an oiled cloth after handling. A light oil is ordinarily all that is necessary in cleaning if the gun has not been fired or fired very little. If a gun is used frequently, it must be cleaned after each firing and regularly serviced by a professional gunsmith. If the gun has been stored, remove all excess oil and/or grease before firing. Always check to be sure that no cleaning patch or other obstruction remains in the bore or chambers before firing.

#### **DANGER -- AMMUNITION WARNING**

Firearms may be damaged and serious injury or death to the shooter or bystander may result from any condition which contributes to the generation of excessive pressure or uncontrolled release of gas within the firearm. Such adverse conditions can be caused by bore or chamber obstruction, propellant

powder overloads or by defective, incorrect or improperly loaded and assembled cartridge components. Even the strongest firearm can be blown up as a result of excessive pressure. It is extremely dangerous to use a cartridge whose pressure is greater than that developed by cartridges loaded to industry standards.

### **AMMUNITION (CARTRIDGES) NOTICE**

We specifically disclaim responsibility for any damage, injury or death occurring in connection with or as the result of the use of European American Armory Bolt Action Rifle of faulty, nonstandard, re-manufactured, hand loaded or reloaded ammunition, used cartridges or cartridges other than factory cartridges for which the firearm was originally chambered.

### **LUBRICATION WARNING**

Firing a Bolt Action Rifle with oil, grease or any other material even partially obstructing the bore may result in damage to the Bolt Action Rifle and injury to the shooter and those nearby. Do not spray or apply lubricants directly on ammunition. If the powder charge of a cartridge is affected by the lubricant, it may not be ignited, but the energy from the primer may be sufficient to push the bullet into the bore where it may become lodged. Firing a subsequent bullet into the obstructed bore will damage the Bolt Action Rifle and may cause injury to the shooter and those nearby. Use lubricants properly. You are responsible for the proper care and maintenance of your firearm and ammunition.

### **ONE YEAR LIMITED WARRANTY**

This European American Armory Corp. firearms is warranted to the original retail customer for One Year from date of purchase against defects in material and workmanship. All parts and labor or replacement **at our option** are covered. Wood Stock and Wood Forend are not covered by the One Year Warranty. The warranty on the wood stock and forend is 60 days from purchase and only covers manufactured and material defects.

Transportation to and from our repair facilities, government fees, damage caused by failure to perform normal maintenance, sales outside the United States, damage due to use of high velocity, high pressure, reloaded or other nonstandard ammunition, or any unauthorized repair, modification, misuse, abuse, or alteration of the product is not covered by this Limited Warranty.

Any implied warranties, including the implied warranties of merchantability and fitness for a particular purpose, are limited to one year from date of original retail purchase. Consequential or incidental damages and/or expenses, or any other expenses are not covered by this warranty.

To obtain warranty performance send your firearm with proof of retail purchase, freight prepaid to:

European American Armory Corp.  
3855 North U.S. Highway One  
Cocoa, Florida 32926

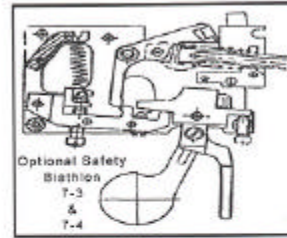
## **WARNING**

Altering or modifying parts and/or internal safeties is dangerous and will void the warranty. This Bolt Action Rifle was manufactured to perform properly with the original parts as designed. It is your duty to make sure any parts you buy are made for this firearm and are installed correctly and that neither the replacements nor originals are altered or changed. Your gun is a complex precision tool with many parts that must relate correctly to other parts in order for proper and safe operation. Putting a gun together wrong or with incorrect or modified parts can result in a damaged gun, danger, and injury or death to you and others through malfunction. Always have a qualified gunsmith work on your gun or at least check any work not performed by a gunsmith.

### **Optional Features:**

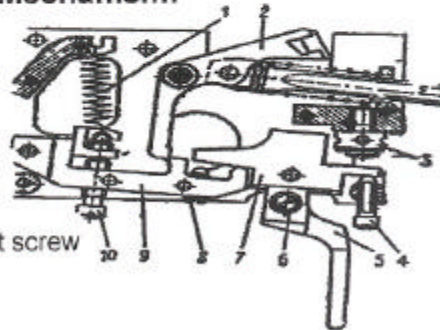
- 1) Adjustable Stock Butt Plate - Used for adjustment of length of pull via shims, increase or decrease length of trigger pull by removing or inserting shims, remove screws in butt plate and add or remove shims....Make sure you reinstall screws and tighten butt plate screws fully.
- 2) Adjustable Stock Check Piece - Used for adjustment of check piece via shim washers, increase or decrease check piece height by removing or inserting washers. Remove screws in check piece and add or remove washers....Make sure you reinstall screws and tighten check piece screws fully.
- 3) Barrel Weights - Used to increase muzzle weight, add or remove weights as required. Remove screws in weights and add or remove weights until desired balance is achieved....Make sure you reinstall screws and tighten weight screws fully.
- 4) Adjustable Sling Base - Unscrew forward sling base and position to the location that best fits user...Make sure you reinstall sling screw and tighten fully.
- 5) Adjustable Rear Sight with Snow cover - Turn horizontal or vertical adjusting knobs so as to sight in rifle to desired point of impact, make sure snow cover is moved up during use.
- 6) Hooded Front Sight with Interchangeable Sight Blades - Back of front sight unscrews and allows the installation of different sight blades / sight pictures.
- 7) Barrel Snow Cover - Located on end of barrel and tips down to uncover end of barrel (must be in down position to fire). Note: Barrel Snow Cover has a rubber plug in center so that if not moved down during use bullet will pass through rubber. This cover prevents Snow and debris from entering barrel when it is in the closed position.
- 8) Adjustable Trigger - See trigger drawings and adjustment information.
- 9) Stock Magazine Holder - Used to hold four magazines during use.

10) Safety for use with Gloves - Stamped metal disk that blocks trigger. Safety in the rearward position (Engaged) the trigger is blocked and bolt is locked. Safety in forward position (Disengaged) and trigger is released and bolt is released. **Warning....When safety is in the forward position the gun will fire if the bolt is closed and the chamber is loaded with a live round and the trigger is pulled or moved to the rear....( NOTE SEE PAGE 8 & 9 SAFETY).**



### Optional Adjustable Trigger Mechanism:

- 1 - Trigger Lever spring
- 2 - Hammer
- 3 - Adjusting Screw
- 4 - Over Travel Screw
- 5 - Trigger
- 6 - Screw for trigger position fore /aft
- 7 - Trigger Lever
- 8 - Second Stage Trigger Adjustment screw
- 9 - Release Lever
- 10 - Trigger Pull



Before any adjustment - make sure gun is unloaded. If you dry fire the gun, use a snap cap or an empty round....Warning completely check the rifle function including safety and trigger movement after any trigger adjustment...Warning any trigger adjustment should only be done by a qualified gunsmith...Warning improper trigger adjustment could create an extremely dangerous condition with the rifle.

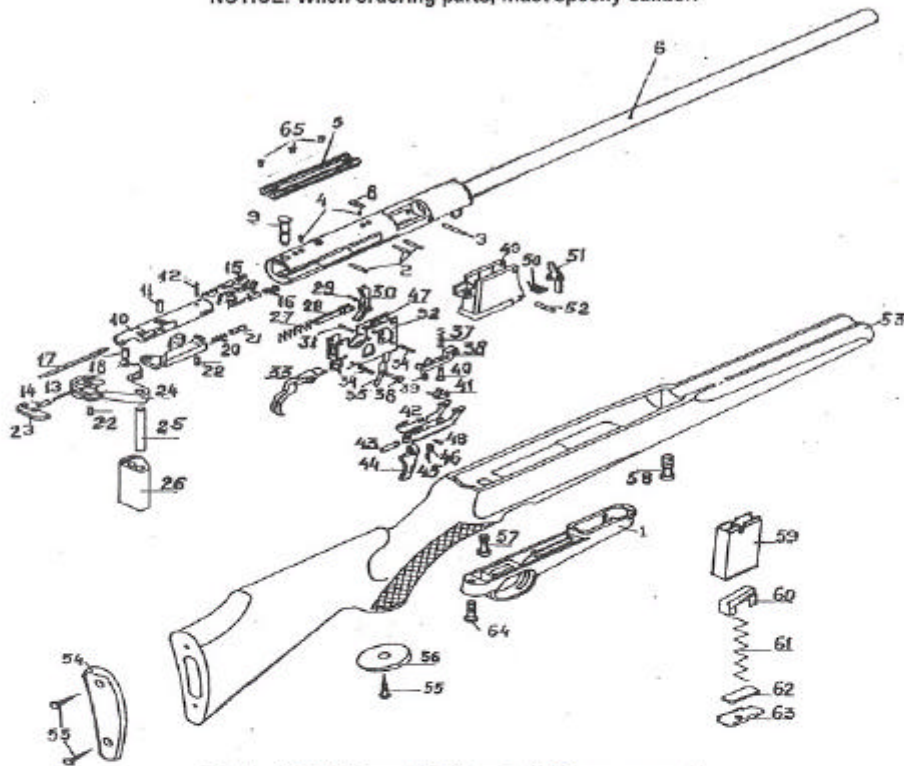
- 1) Length of Pull - Loosen screw (6) move trigger fore or aft to desire position.
- 2) Over Travel - Is adjusted by screw (4).
- 3) Trigger Pull - Is adjusted by screw (10), if trigger pull screw is unscrewed trigger pull will increases. If screw (10) is unscrewed (counter clockwise) until the stop and the trigger pull is too light then, screw in (clockwise) second stage trigger adjustment screw (8) until it contacts trigger lever (7). Note: Small movement of (8) will change trigger pull greatly.

**CAUTION: THE TRIGGER SHOULD NEVER BE ADJUSTED TO LESS THAN 3.5LBS OF PRESSURE FOR MOVEMENT.....**

- 4) Adjustment of (3) Adjusting Screw prevents the trigger from traveling after it's disengagement.

## Exploded View Biathlon 7-2 "Basic"

NOTICE: When ordering parts, must specify caliber.



### List of Biathlon 7-2 "Basic" Components

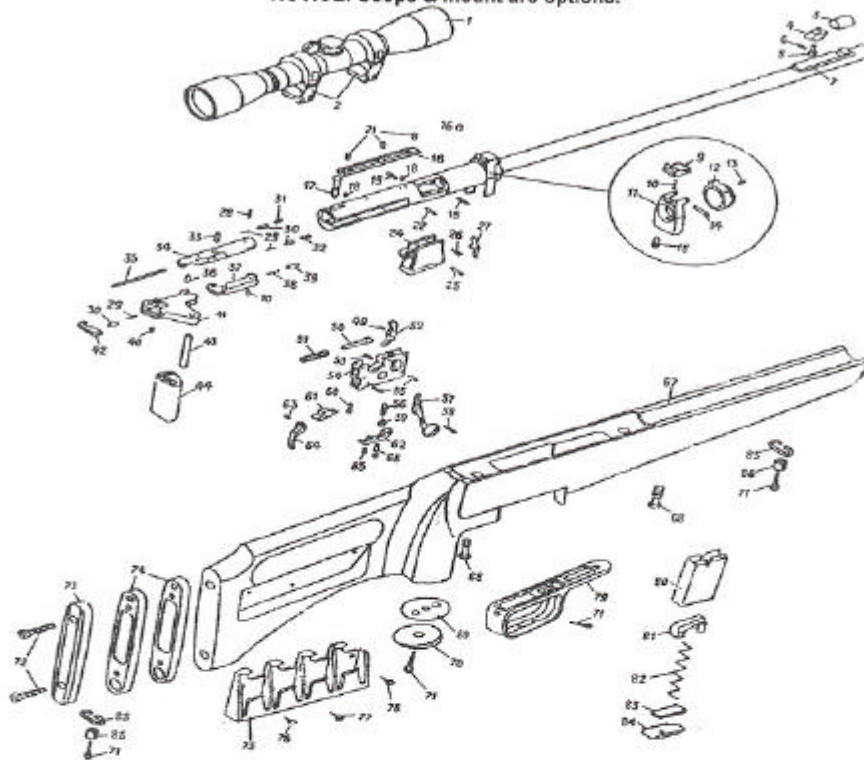
NOTE. PARTS BEING ASTERISKED "\*" ARE NOT SUBJECT TO ORDER

- |                             |                            |                           |
|-----------------------------|----------------------------|---------------------------|
| 1. Trigger guard            | 25. Handle pin             | 48. Pin                   |
| 2. Bolt-stop pin            | 26. Handle                 | 49. Casing                |
| 3. Bolt-stop pin            | 27. Mainspring             | 50. Magazine latch spring |
| 4. Base pin                 | 28. Rod                    | 51. Magazine latch        |
| 5. Sight leaf               | 29. Hammer pin             | 52. Magazine-latch pin    |
| 6. Barrel                   | 30. Hammer                 | 53. Stock                 |
| 7. Receiver w/ receiver     | 31. Hammer pin             | 54. Butt Plate            |
| 8. Ejector                  | 32. Housing assy.          | 55. Wood screw            |
| 9. Pin                      | 33. Trigger Assy.          | 56. Cap                   |
| 10. Bolt                    | 34. Pin                    | 57. Connecting screw      |
| 11. Bolt pin                | 35. Safety lever           | 58. Connecting screw      |
| 12. Firing-pin stud         | 36. Safety-lever pin       | 59. Magazine body         |
| 13. Extractor spring        | 37. Trigger-release spring | 60. Follower              |
| 14. Plunger                 | 38. Trigger-release lever  | 61. Magazine spring       |
| 15. Retainer                | 39. Limiting screw         | 62. Magazine cover catch  |
| 16. Extractor               | 40. Spring hook            | 63. Magazine cover        |
| 17. Firing pin              | 41. Retainer               | 64. Body screw            |
| 18. Pin                     | 42. Safety body            | 65. Base screw            |
| 19. Connectong rod          | 43. Selector pin           |                           |
| 20. Pin                     | 44. Selector               |                           |
| 21. Connecting-rod retainer | 45. Pin                    |                           |
| 22. Pin                     | 46. Warning screw          |                           |
| 23. Catch                   | 47. Pin                    |                           |



## Exploded View Biathlon 7-2

NOTICE: Scope & mount are options.

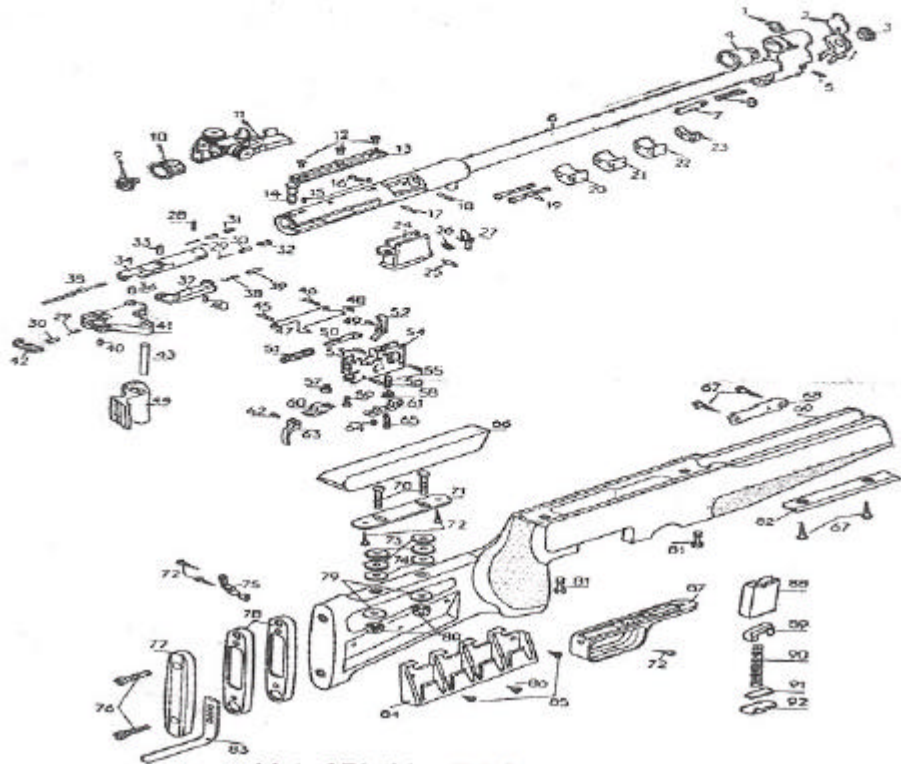


### List of Biathlon 7-2 Components

NOTE, PARTS BEING ASTERISKED "\*" ARE NOT SUBJECT TO ORDER

- |                       |                           |                        |                   |
|-----------------------|---------------------------|------------------------|-------------------|
| 2. Mount Assy.        | 24. Magazine Casing       | 50. Rod                | 73. Butt-plate    |
| 3. Front-sight Cover  | 25. Magazine-latch Pin    | 51. Mainspring         | 74. Gasket        |
| 4. Front-sight        | 26. Magazine-latch Spring | 52. Hammer             | 75. Mag holder    |
| 5. Front-sight screw  | 27. Magazine Latch        | 53. Hammer Pin         | 76. Wood screw    |
| 6. Pin                | 28. Firing Pin Stud       | 54. Body Assy.         | 77. Wood screw    |
| 7. Front-sight Base   | 29. Extractor Spring      | 55. Trigger Axle       | 79. Trigger guard |
| 8. Barrel*            | 30. Plunger               | 56. Trigger Spring     | 80. Mag body      |
| 9. Back-sight         | 31. Auxiliary Extractor   | 57. Safety             | 81. Follower      |
| 10. Back-sight Spring | 32. Extractor             | 58. Safety-lever Axle  | 82. Mag spring    |
| 11. Sight Bead        | 33. Bolt Axle             | 59. Spring Hook        | 83. Mag catch     |
| 12. Selector          | 34. Bolt*                 | 60. Catching Screw     | 84. Mag cover     |
| 13. Pin               | 35. Firing Pin*           | 61. Release Lever      | 85. Swivel ring   |
| 14. Pin               | 36. Axle                  | 62. Trigger Lever      | 86. Swivel base   |
| 15. Stop Screw        | 37. Connecting Rod*       | 63. Washer Screw       |                   |
| 16a. Receiver Assy.*  | 38. Aux. Extractor Spring | 64. Trigger            |                   |
| 16. Sight Base        | 39. Connecting-rod Ret.   | 65. Double-pull Screw  |                   |
| 17. Axle              | 40. Axle                  | 66. Trigger-pull Screw |                   |
| 18. Base Pin          | 41. Lever*                | 67. Stock              |                   |
| 19. Ejector*          | 42. Latch                 | 68. Connecting Screw   |                   |
| 20. Bolt-stop Axle    | 43. Handle Axle           | 69. Gasket for Rosette |                   |
| 21. Base Screw        | 44. Handle                | 70. Rosette            |                   |
| 22. Bolt-stop Axle    | 49. Hammer Pin            | 71. Swivel Wood Screw  |                   |
|                       |                           | 72. Butt Plate Screw   |                   |

## Exploded View Biathlon 7-3 & 7-4



### List of Biathlon 7-3 Components

NOTE: PARTS BEING ASTERISKED "\*" ARE NOT SUBJECT TO ORDER

1. Circular front sight	24. Clip	47. Interceptor	70. Cheek screw
2. Cap	25. Magazine-catch pin	48. Interceptor spring	71. Plate
3. Plug	26. Magazine-catch spring	49. Hammer pin	72. Swivel screw
4. Front-sight body ext	27. Magazine-catch	50. Stem	73. Set washer
5. Axle	28. Firing pin stud	51. Mainspring	74. Set washer
6. Barrel w/ receiver	29. Extractor spring	52. Hammer	75. Swivel
7. Tie rod	30. Plunger	53. Hammer pin	76. Butt plate screw
8. Spring	31. Auxiliary extractor	54. Body assy.	77. Butt plate
9. Diopter	32. Extractor	55. Trigger lever pin	78. Gasket
10. Blind	33. Bolt pin	56. Trigger lever spring	79. Washer
11. Sight assy.	34. Bolt	57. Adjust. screw assy.	80. Clamp nut
12. Base screw	35. Firing pin	58. Spring hook	81. Conn. screw
13. Sight base	36. Axle	59. Engagement screw	82. Swivel plate
14. Axle	37. Connecting rod	60. Trigger lever	83. Hook
15. Base pin	38. Aux. extractor spring	61. Releasing lever	84. Mag. holder
16. Ejector	39. Connecting-rod ret.	62. Washer screw	85. Wood screw
17. Retarder axle	40. Axle	63. Trigger	86. Wood screw
18. Retarder axle	41. Lever	64. Dbl-pull trigger screw	87. Trigger guard
19. Weight screw	42. Latch	65. Trigger pull screw	88. Mag. body
20. Weight	43. Handle Pin	66. Butt cheek	89. Follower
21. Weight	44. Handle	67. Rosette wood screw	90. Mag. spring
22. Weight	45. Axle	68. Swivel base	91. Mag. catch
23. Weight nut	46. Pin	69. Stock	92. Mag. Cover

### **YOUR OWNERS' MANUAL**

Always keep this manual with your firearm. Make sure you understand all the warnings, operation instructions and safety procedures. When you lend, give or sell the firearm, be sure this manual goes with it. You can get a copy of this manual from European American Armory on request.

ALL PARTS ORDERS ARE SUBJECT TO A \$10.00 CHARGE FOR SHIPPING AND HANDLING. Please state Model, Caliber, Serial Number, and Finish Color when ordering. For parts, information and service contact: European American Armory Corp., 3855 North U.S. Highway One, Cocoa, Florida 32926 Phone: (321) 639-4842.

### **MANUFACTURER'S WARNING**

This firearm was manufactured to properly perform with the original parts as designed. It is your duty to make sure any parts you buy are correctly installed and that neither replacements nor originals are altered or changed. Your gun is a complex tool with many parts that must relate correctly to other parts for safe and accurate operation. Putting a gun together wrong or with modified parts can result in a damaged gun, injury or death to you or others through malfunction. Always let a qualified gunsmith work on your gun or at least, check any work not performed by a gunsmith. Firearms safety is your primary concern. **THE GUN OWNER MUST ACCEPT FULL RESPONSIBILITY FOR THE CORRECT REASSEMBLY AND FUNCTIONING OF THE FIREARM AFTER ANY DISASSEMBLY OR REPLACEMENT OF PARTS.**

 **WARNING**

Children are attracted to and can operate firearms that can cause severe injuries or death.

Prevent child access by always keeping guns locked away and unloaded when not in use. If you keep a loaded firearm where a child obtains and improperly uses it, you may be fined or sent to prison.

 **ADVERTENCIA**

A los niños les atraen las armas de fuego y los pueden hacer funcionar. Ellos pueden causarse lesiones graves y la muerte.

Evite que los niños tengan acceso a las armas de fuego guardándolas siempre con llave y descargadas cuando no las esté utilizando. Si usted tiene un arma de fuego cargada en un lugar en que un niño tiene acceso a ella y la usa indebidamente, le pueden dar una multa o enviarlo a la cárcel.

**Importer:**

European American Armory Corp.  
3855 North US Hwy. 1  
Cocoa, FL 32926

**Manufacturer:**

Izhmash JSC  
OJSC "Concern Izhmash"  
3 PR. Deryabinia  
426006 Izhevsk, Russia