



DETONICS
MANUFACTURING CORPORATION
a subsidiary of Energy Sciences Corporation
13456 S.E. 27th Place / Bellevue, WA 98005

**DETONICS MANUFACTURING
CORPORATION**

13456 SE 27th PLACE
BELLEVUE, WA 98005
(206) 747-2100

**SCOREMASTER™/
SERVICEMASTER™**

AUTO LOADING PISTOL
INSTRUCTION MANUAL

This instruction manual should always accompany this firearm and be transferred with it upon change of ownership.

If your instruction manual becomes lost or is destroyed, obtain a replacement by writing to DETONICS MANUFACTURING CORPORATION, 13456 S.E., 27th PLACE BELLEVUE, WASHINGTON 98005. Make a note of your address, and when requesting a manual, include the information which is on the left side of your firearm together with its serial number, or quote the Part Number as shown on the back cover of this manual.

TABLE OF CONTENTS

1

I.	Scoremaster™ Features	3
II.	Safety Precautions	5
III.	Scoremaster™ Function and Safety Features	8
	A.	Description of Pistol Function
	B.	Safety Lock
	C.	Grip Safety
	D.	Half Cock Notch in Hammer
	E.	Disconnecter
	F.	Inertial Firing Pin
IV.	Operating Instructions	13
	A.	Loading the Magazine
	B.	Loading the Pistol
	C.	Firing the Pistol
	D.	Unloading
V.	Maintenance	19
	A.	Stripping for Cleaning
	B.	When to Clean
	C.	How to Clean
	D.	Cleaning the Magazine
	E.	Storage
	F.	Service and Repair
VI.	Statement of Liability	28
VII.	Parts List and Exploded View of Gun	29
VIII.	Scoremaster™ Record/Notes	32
IX.	Limited Warranty	33

Your Scoremaster™/Servicemaster™ was built with endurance and reliability in mind. All of its components are made of high quality stainless steel to provide a lifetime of corrosion-free service. Each gun is hand crafted and thoroughly tested to insure smooth and dependable operation.

The shock absorbing dual-spring recoil system and self-centering barrel are unique features that distinguish this pistol from others of its class. We believe that the standard features listed below make the Scoremaster™/Servicemaster™ the best pistol on the market.

1. Detonics® .45ACP or .451 Detonics® Magnum™ caliber
2. Detonics® Combat Recoil System with elastomer shock absorber
3. Closely tolerated receiver, slide, and barrel (National Match or better)
4. Match-tuned trigger pull, adjustable for over-travel
5. Extended magazine catch
6. Relieved ejection port
7. Beveled slide stop
8. Beveled magazine well inlet
9. Extended beaver-tail grip safety
10. Ambidextrous safety lock
11. Universal ejector slot in slide (.45 & 9MM type)

-
12. Finest extractor on the market
 13. Match-style front sight (changeable)
 14. Fully adjustable rear sight
 15. Wrap-around grip
 16. Scoremasters 8 round magazine and 2.7 round clips

Options: Factory installed .45ACP or .451 Detonics®
Magnum™ (additional charge)

II. SAFETY PRECAUTIONS

Whether this is your first pistol, or you are an experienced owner, we strongly recommend that you read all the instructions in this manual and follow the safety precautions listed below. ABOVE ALL ELSE, YOU MUST ALWAYS BEAR IN MIND THAT A PISTOL IS A LETHAL WEAPON. SAFETY SHOULD ALWAYS BE YOUR FIRST CONCERN.

1. Always treat your pistol as if it were loaded, even when you think it is not. If you don't intend to shoot at something, don't point the pistol at it. KEEP YOUR FINGER OUT OF THE TRIGGER GUARD AND OFF THE TRIGGER UNTIL YOU ARE READY TO SHOOT.
2. Before handing your pistol to someone, or before laying it down, always be sure that it is not loaded.
3. When taking the pistol from someone, always check to be sure that it is not loaded, REGARDLESS OF WHAT YOU HAVE BEEN TOLD BY THE PERSON GIVING IT TO YOU.
4. To eliminate the possibility of accidental discharge while carrying your pistol, always be sure that the chamber is empty and the hammer is forward.
5. NEVER leave the hammer in the half-cocked position: it is not a safe position. Never pull the hammer all the way

to the rear and then release it to the half-cocked position. The phrase "going off half-cocked" probably originated from shooters who failed to follow these rules and lived to tell about it. THE HALF-COCKED POSITION IS NOT SAFE.

6. DO NOT PUT A ROUND IN THE CHAMBER UNTIL YOU ARE READY TO FIRE. BE SURE TO CLEAR THE CHAMBER AS SOON AS YOU ARE FINISHED FIRING. A ROUND IN THE CHAMBER MAY ACCIDENTALLY DISCHARGE IF THE PISTOL IS DROPPED OR RECEIVES A SUDDEN BLOW. THIS CAN HAPPEN REGARDLESS OF THE POSITION OF THE HAMMER OR ANY OF THE SAFETY DEVICES. KEEP THE CHAMBER EMPTY UNTIL YOU ARE READY TO FIRE.

7. You and those near you should always wear ear protection.

8. Always wear eye protection.

9. When using targets for practice shooting, be sure that the backstop will prevent the penetration of bullets.

10. BE ABSOLUTELY SURE OF YOUR TARGET BEFORE SQUEEZING THE TRIGGER.

11. If your pistol fails to function properly, NEVER force it. You could damage the pistol or cause an accidental discharge.

12. Do not shoot at objects that could cause a bullet to ricochet. Rocks and water surfaces are particularly dangerous. There is no way to predict where a deflected bullet might travel.

13. Do not fire your pistol in the presence of animals that are unaccustomed to the sound of gunfire.

14. Alcohol and other drugs impair judgment, vision, and dexterity. NEVER USE YOUR GUN WHILE YOU ARE UNDER THE INFLUENCE OF ALCOHOL OR OTHER DRUGS. If you must take medication, consult your physician before using your pistol to assure safe handling and shooting practices.

15. ALWAYS STORE YOUR PISTOL AND AMMUNITION IN SEPARATE, LOCKED CONTAINERS, WELL OUT OF THE REACH OF CHILDREN. MAKE THIS A RULE YOU FOLLOW RELIGIOUSLY.

It is impossible to over-emphasize the importance of being safety-conscious. It is YOUR RESPONSIBILITY as a gun owner to make certain that your gun is used in a reasonable manner and is kept in a safe place when not in use. EVERY FIREARM SHOULD BE TREATED WITH THE UTMOST RESPECT FOR ITS ABILITY TO CAUSE SERIOUS INJURY OR LOSS OF LIFE. PROTECT YOURSELF AND THOSE AROUND YOU BY ALWAYS BEING SAFETY-CONSCIOUS.

8 III. FUNCTION AND SAFETY FEATURES

A. Description of Function

The pistol is readied for firing by inserting a loaded magazine, pulling the slide all the way to the rear, and then releasing the slide. The backward movement of the slide cocks the hammer. The forward movement feeds a cartridge into the chamber, locks the barrel and slide together, and activates the disconnector. When the pistol stock is firmly grasped, the grip safety is released, which allows the trigger to be squeezed. Squeezing the trigger disengages the sear from the hammer. The hammer then pivots forward under the force of the mainspring until it strikes the firing pin. The firing pin then strikes the primer in the base of the cartridge, which ignites the main powder charge. This ignition rapidly generates extremely high gas pressure, which drives the bullet down the barrel. The barrel's rifling grooves add a stabilizing spin to the bullet, giving it a more accurate trajectory.

The force generated on the slide breech face automatically starts the slide on its rearward movement. This action depresses the disconnector and carries the spent cartridge backward until it is struck by the ejector. The ejector propels the spent cartridge through the ejection

port. The backward movement of the slide cocks the hammer again, and the forward movement feeds another cartridge into the chamber. The pistol is now ready to fire again. When the last round in the magazine has been fired, the magazine follower activates the slide stop, which holds the slide to the rear.

B. Safety Lock (See Figure 1)

The safety lock is located on the left and right sides of the pistol, just below the back of the slide. When the hammer

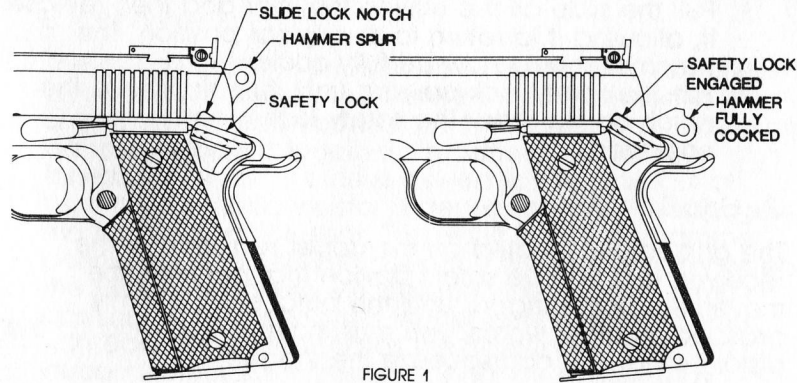


FIGURE 1

is fully cocked and the safety lock is flipped upward, the slide is fixed in position. Simultaneously, an internal cam surface engages the sear and prevents the hammer from moving forward when pressure is applied to the trigger. The pistol cannot be fired as long as the safety lock prevents the movement of the slide and hammer. **ONLY WHEN THE SLIDE IS FULLY FORWARD AND THE HAMMER FULLY COCKED CAN THE SAFETY LOCK BE USED.**

To activate the safety lock:

1. Pull the slide all the way to the rear and then release it, allowing it to return to its original position. The hammer should now be fully cocked.
2. Flip the safety lock upward until it fits firmly into the notch on the slide. The safety lock is now engaged.

C. Grip Safety

The grip safety, located on the upper rear part of the receiver, is a passive safety device that prevents the movement of the trigger until the pistol stock is firmly grasped. In other words, you must have a tight grip on the pistol before you can squeeze the trigger.

D. Half Cock Notch in Hammer

The half cock notch is another passive safety feature that prevents the forward motion of the hammer should the primary sear notch fail. Furthermore, if your thumb should slip while cocking the pistol, the half cock notch will catch the hammer before it strikes the firing pin. **HOWEVER, ALWAYS REMEMBER THAT THE HAMMER SHOULD NEVER BE PLACED IN THE HALF COCK NOTCH INTENTIONALLY. IT IS NOT A SUBSTITUTE FOR THE SAFETY LOCK.**

E. Disconnecter

The disconnecter is an internal safety feature that prevents a round from being fired before it is fully seated in the chamber. The pistol cannot be fired unless the slide and barrel are locked together "in battery" (slide fully forward). When the slide is moved to the rear (out of battery), the disconnecter is depressed and disengages the trigger from the sear. The result is that the hammer cannot be released by squeezing the trigger. Only when the slide is in battery will the disconnecter move into a position that will bring the trigger and sear into contact with each other. As long as the trigger and sear are disconnected, the hammer cannot be released by

squeezing the trigger. DO NOT CHECK THE DISCONNECTOR ACTION WHILE THE PISTOL IS LOADED. NEVER PUSH THE MUZZLE AGAINST YOUR HAND OR ANY OTHER PART OF YOUR BODY, OR ANY OTHER SURFACE. DOING SO COULD CAUSE AN ACCIDENTAL DISCHARGE.

F. Inertial Firing Pin

The firing pin is shorter than its housing. It is held in place by a spring and will not protrude beyond the breechface of the slide until it is forced out by the impact of the hammer. However, it could also be forced out accidentally by a sharp blow to the muzzle. THIS IS WHY IT IS UNSAFE TO CARRY YOUR PISTOL WITH A ROUND IN THE CHAMBER. KEEP THE CHAMBER EMPTY UNTIL YOU ARE READY TO FIRE.

IV. OPERATING INSTRUCTIONS

A. Loading the Magazine

USING ONLY HIGH QUALITY COMMERCIAL AMMUNITION OR CAREFULLY RELOADED AMMUNITION OF THE CORRECT CALIBER.

Grasp the magazine as illustrated in Figure 2. Place a cartridge on the magazine follower with the rim of the cartridge just forward of the retaining lips on the magazine. Press the cartridge down and back until its rim comes in contact with the rear of the magazine. Continue loading cartridges until the magazine is full.

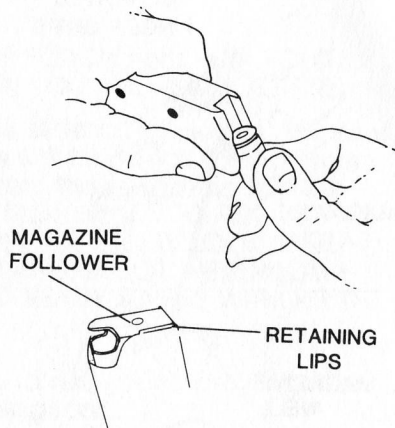


FIGURE 2

B. Loading the Pistol

POINT THE PISTOL IN A SAFE DIRECTION AND KEEP YOUR FINGER OFF THE TRIGGER WHILE LOADING.

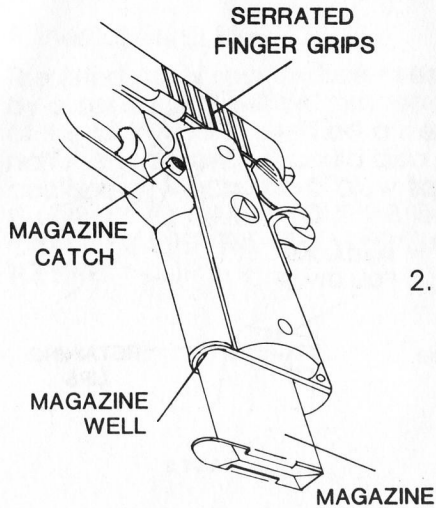


FIGURE 3

1. Remove empty magazine from pistol (place your hand under magazine to catch it) by pressing the magazine catch, which is located on the left side of the pistol behind the trigger guard. (See Figure 3). The magazine should pop out into your hand.
2. Pull the slide back slightly and look through the ejection port to be sure the chamber is empty. (If you pull the slide all the way to the rear, release the cocked hammer by squeezing the trigger ONCE YOU ARE SURE THE CHAMBER IS EMPTY.)

3. Insert loaded magazine into magazine well with cartridge pointed forward. Push the magazine in until you hear the "click" that indicates that the magazine is locked in place. THE PISTOL IS NOW LOADED.

C. Firing the Pistol

POINT THE PISTOL IN A SAFE DIRECTION AND KEEP YOUR FINGER OFF THE TRIGGER UNTIL YOU ARE READY TO FIRE.

1. To fire the pistol, pull the slide all the way to the rear and then release it. This will fully cock the hammer and feed a cartridge from the magazine into the chamber. THE PISTOL IS NOW READY TO FIRE. AT THIS POINT YOU SHOULD APPLY THE SAFETY LOCK UNTIL YOU ARE READY TO AIM AND SHOOT. NEVER LEAVE THE PISTOL COCKED AND READY TO FIRE WITHOUT THE SAFETY LOCK APPLIED.
2. Grasp the pistol firmly and rest your index finger on the outside of the trigger guard.
3. Disengage the safety lock.

4. Hold the pistol as steady as possible to keep your aim, and the gently squeeze the trigger with your index finger. Don't jerk the trigger; it will disturb your aim. Continue firing by releasing the trigger and squeezing it again after each round is fed into the chamber. THE SCOREMASTER™ IS A SEMI-AUTOMATIC PISTOL AND IS IMMEDIATELY LOADED AND READY TO FIRE AFTER EACH SHOT UNTIL THE MAGAZINE IS EMPTY. IF YOU CHOOSE NOT TO FIRE EVERY ROUND IN THE MAGAZINE IN RAPID SUCCESSION, APPLY THE SAFETY LOCK UNTIL YOU ARE READY TO FIRE THE NEXT ROUND.
5. After the last round in the magazine has been fired, the slide will remain to the rear (out of battery). You are now ready to insert another loaded magazine and continue firing.

SAFETY PRECAUTION: IF THE PISTOL FAILS TO FIRE, POINT THE PISTOL DOWN-RANGE OR IN A SAFE DIRECTION AND WAIT 30 SECONDS. A SLOW IGNITION SHOULD FIRE WITHIN THAT TIME. IF THE ROUND DOES NOT FIRE AFTER 30 SECONDS, REMOVE THE MAGAZINE, EJECT THE ROUND (PULL THE SLIDE ALL THE WAY TO THE REAR), AND EXAMINE THE PRIMER. IF THE FIRING PIN INDENT ON THE PRIMER IS SHALLOW, OFF

CENTER, OR NONEXISTENT, HAVE THE PISTOL EXAMINED BY A COMPETENT GUNSMITH. IF THE INDENT APPEARS NORMAL (AS COMPARED WITH PREVIOUSLY FIRED ROUNDS), YOU CAN ASSUME THAT THE AMMUNITION IS FAULTY. KEEP THE MISFIRED ROUND AWAY FROM OTHER LIVE AMMUNITION AND EMPTY CARTRIDGES; RELOAD WITH NEW AMMUNITION AND CONTINUE FIRING. DISPOSE OF MISFIRED ROUNDS IN ACCORDANCE WITH AMMUNITION MANUFACTURER'S INSTRUCTIONS.

D. Unloading

POINT THE PISTOL IN A SAFE DIRECTION AND KEEP YOUR FINGER OFF THE TRIGGER. KEEP YOUR HANDS AWAY FROM THE MUZZLE AND EJECTION PORT.

1. Press the magazine catch and allow the magazine to pop into your hand.

NOTE: AFTER SHOOTING AND BEFORE REMOVING THE MAGAZINE, ONE SHOULD APPLY THE SAFETY EVEN IF MAGAZINE IS EMPTY.

2. Pull the slide all the way to the rear to extract the round in the chamber. (The slide would be in this position if every round in the gun were fired.)

3. CHECK THE CHAMBER TO BE SURE THAT IT IS EMPTY.
4. Let the slide return to its forward position, then squeeze the trigger to release the hammer from its cocked position.
5. The remaining rounds of ammunition can be removed by sliding them forward out of the magazine.

V. MAINTENANCE

A. STRIPPING FOR CLEANING

WEAR SAFETY GLASSES TO PROTECT YOUR EYES IN THE EVENT A SPRING-LOADED PART ACCIDENTALLY SLIPS FROM YOUR GRASP.

1. Remove magazine and check to be sure chamber is empty.
2. Pull the slide to the rear until the lug on the slide stop is aligned with the disassembly notch on the slide. Push the rounded end of the slide stop (on right side of receiver) to disengage it from the slide. (See Figure 4).
3. Lift out the slide stop.
4. Remove the slide and barrel assembly by pulling the slide forward.

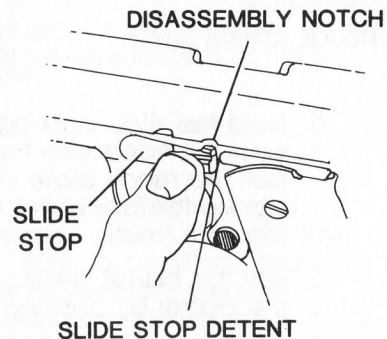


FIGURE 4

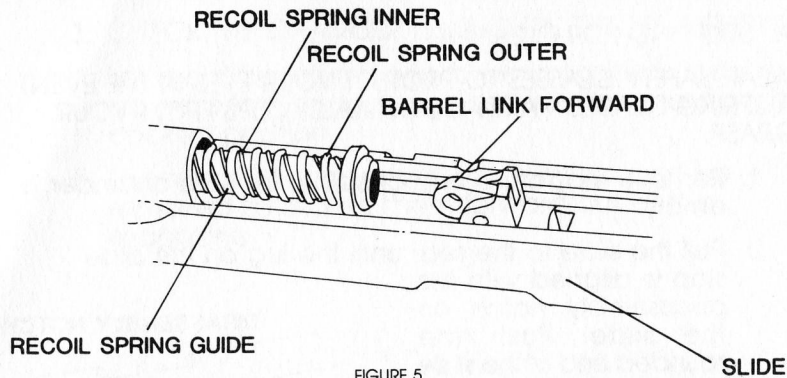


FIGURE 5

5. Hold the slide and barrel assembly upside down in your left hand with the muzzle toward you. Carefully pull the recoil plate slightly upward and to the right above the barrel link. Ease the recoil system out to the rear (away from you). (See figure 5)
6. Lay the barrel link down against the barrel. Remove the barrel by pushing it through the front of the slide.
7. Re-assemble your gun by repeating steps 2 through 6 in reverse order.

B. WHEN TO CLEAN

Clean your pistol as soon as possible after firing. (It will be easier to clean.) If you keep your pistol in storage for extended periods of time, it is still a good idea to clean it once or twice a year. A wet pistol should be cleaned as soon as possible.

C. HOW TO CLEAN

You will need the following materials to clean your pistol: cleaning rod, cotton flannel patches (cut to fit snugly into the bore), a small toothbrush, good quality light gun oil, gun cleaning solution, and a brass wire bore cleaning brush.

1. Strip for cleaning as described in the previous section.
2. Attach a flannel patch to the cleaning rod and insert it in the breech. Pass the rod and patch down through the barrel, taking care to avoid contact between the rod and muzzle (resultant wear will reduce accuracy). Repeat this procedure, changing patches each time until the last one comes out clean.

3. Inspect the barrel. If it is clean, proceed to step 6. If it is still dirty, proceed to the next step.
4. (The following should be necessary only if the gun has been fired.) Attach the bristle brush to the cleaning rod and dip it into the gun cleaning solution. Thoroughly scrub the barrel by passing the brush completely through before reversing direction. If you try to reverse direction while the brush is in the barrel, it will stick.
5. Repeat steps 2 and 3.
6. With the small toothbrush, clean the rear face of the barrel and the breechface of the slide.
7. Lightly moisten a flannel patch with gun oil and pass it once through the barrel to leave a thin film of oil on the inside surface. If the pistol is to be stored, leave this film of oil. If it is not to be stored, or if it is being removed from storage for use, pass a dry flannel patch through the barrel to remove as much oil as possible.

8. Check to be certain that no flannel shreds or brush bristles have become lodged in any part of the pistol. Moisten a flannel patch with gun oil and wipe down all the external surfaces of the pistol.
9. Lubricate the pistol by placing a few drops of gun oil on the locking lugs of the barrel, and on the conical section of the barrel where it comes into contact with the slide. Also place a drop of oil on the disconnecter and a few drops on the slide-frame rails.
10. Re-assemble your gun as described in the previous section.

D. CLEANING THE MAGAZINE (See Figure 6)

1. Depress the follower to the bottom of the magazine.
2. Pin the spring through the 2nd hole from the bottom of the magazine.

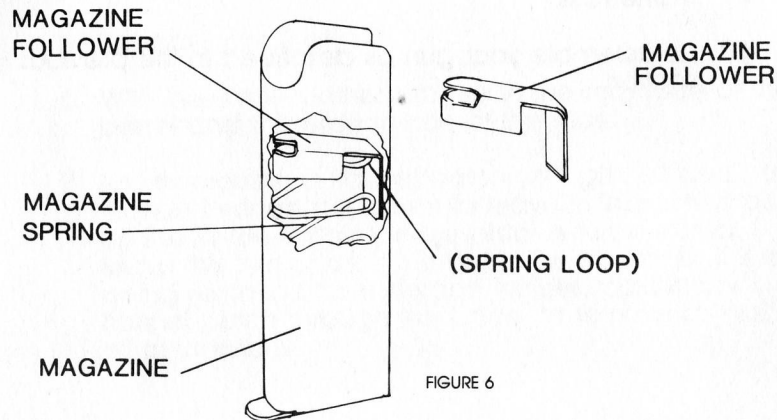


FIGURE 6

3. Remove the follower from the top of the magazine by rotating the front of the follower in an upward motion.
4. Clean all three components, taking care to remove any carbon residue from the lips of the magazine and the magazine follower.
5. Re-assemble the magazine by repeating steps 1 through 3 in reverse order.

E. STORING YOUR PISTOL

ALWAYS STORE YOUR PISTOL AND AMMUNITION IN SEPARATE, LOCKED CONTAINERS, WELL OUT OF THE REACH OF CHILDREN. UNLOAD YOUR PISTOL BEFORE STORAGE.

F. SERVICE AND REPAIR

In the event that your pistol should require adjustment or repair, it can be sent back to the factory. Your local dealer, however, can help you find genuine Detonics spare parts should you need them. An exploded view of the pistol and a parts list appear elsewhere in the manual to provide necessary identification. NOT ALL PARTS ARE AVAILABLE FOR SALE. REPAIR AND INSTALLATION OF THOSE PARTS MUST BE MADE AT THE FACTORY. When ordering parts, please use the names given on the parts list. We also need the caliber, model name, and serial number of your gun.

IMPORTANT: IF UNAUTHORIZED ADJUSTMENTS ARE MADE, OR UNAUTHORIZED PARTS ARE USED, DETONICS® WILL NOT ASSUME RESPONSIBILITY FOR THE FUNCTION OF THE PISTOL.

Federal and state laws and local ordinances govern the transfer and transportation of firearms. Your local dealer can advise you as regards the shipment of your pistol to the factory.

BEFORE SHIPPING YOUR PISTOL, REMEMBER THESE IMPORTANT POINTS:

1. Remove the magazine and MAKE CERTAIN THE PISTOL IS NOT LOADED.
2. Write a letter explaining the nature of the problem in as much detail as possible. Include the model name and serial number and your return address. Enclose the letter with your pistol in a well-padded package.
3. Do not send presentation boxes, accessories or ammunition.
4. DO NOT INDICATE THE CONTENTS, OR INCLUDE "DETONICS" IN THE ADDRESS ON THE PACKAGE. THIS WILL REDUCE THE CHANCES OF YOUR GUN BEING STOLEN OR "LOST" ON ITS WAY TO THE FACTORY.
5. INSURE THE PACKAGE CONTENTS AGAINST LOSS OR THEFT.
6. PLEASE SEND ALL MAGAZINES.

28 VI. STATEMENT OF LIABILITY

This gun is classified as a FIREARM or DANGEROUS WEAPON and is surrendered by Detonics Mfg. Corp. with the express understanding that it assumes no liability for its re-sale or safe handling. Detonics Mfg. Corp. assumes no responsibility for physical injury or property damage resulting from either intentional or accidental discharge, or for the function of any gun subjected to influences beyond their control, and will honor no claims which may result from careless handling, unauthorized adjustments, defective or improper ammunition, corrosion or neglect.

For your protection, examine your gun carefully at the time of purchase, then promptly fill out and mail to Detonics Mfg. Corp. the registration card which accompanies all new guns. Be sure to fill in your pistol's serial number.

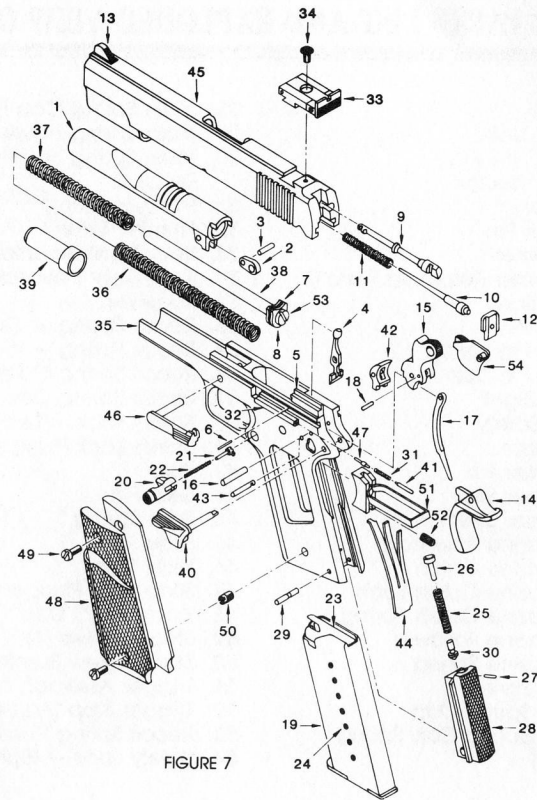


FIGURE 7

VII. PARTS LIST AND EXPLODED VIEW OF GUN

1. Barrel
2. Barrel Link
3. Barrel Link Pin
4. Disconnecter
5. Ejector
6. Ejector Pin
7. Elastomer
8. Elastomer Retaining Plate (2)
9. Extractor
10. Firing Pin
11. Firing Pin Spring
12. Firing Pin Stop
13. Front Sight
14. Grip Safety
15. Hammer
16. Hammer Pin
17. Hammer Strut
18. Hammer Strut Pin
19. Magazine Assembly
20. Magazine Catch
21. Magazine Catch Lock
22. Magazine Catch Spring
23. Magazine Follower
24. Magazine Spring
25. Main Spring
26. Main Spring Cap
27. Main Spring Cap Spring
28. Main Spring Cap Pin
29. Main Spring Housing
30. Main Spring Housing Pin Retainer
31. Plunger Spring
32. Plunger Tube
33. Rear Sight Elevation Screw
34. Rear Sight Elevation Screw
35. Receiver
36. Recoil Spring — Outer
37. Recoil Spring — Inner
38. Recoil Spring Guide
39. Recoil Spring Cap
40. Safety Lock — Left
41. Safety Lock Plunger
42. Sear
43. Sear Pin
44. Sear Spring
45. Slide
46. Slide Stop
47. Slide Stop Plunger
48. Pachmayr™ Grip
49. Stock Screws (4)
50. Stock Screw Bushings (4)
51. Trigger Assembly
52. Trigger Stop (Adjustable)
53. Recoil Spring Guide Screw
54. Safety Lock — Right