



POCKET 9™ 9MM PARABELLUM

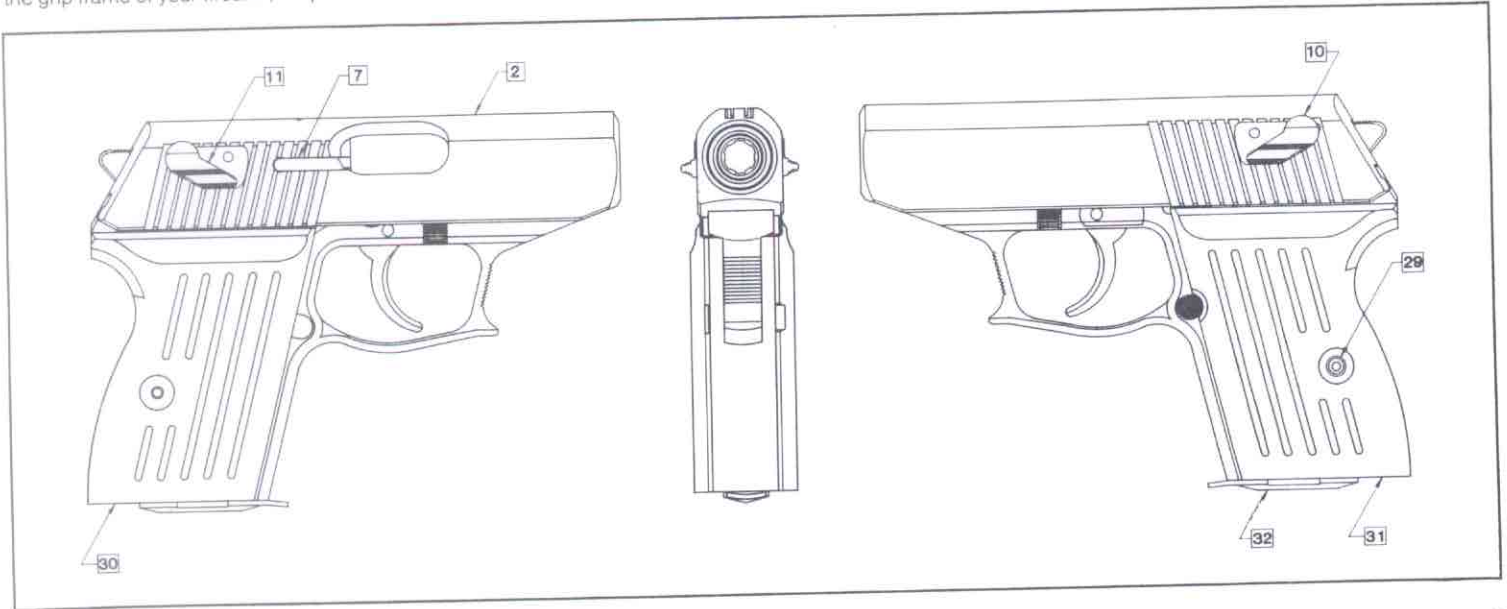
Please Note Address Change:



DETONICS MANUFACTURING
13456 S.E. 27th Place
Bellevue, Washington 98005
206 747-2100

This instruction manual should always accompany this firearm and be transferred with it upon change of ownership.

If your instruction manual becomes lost or is destroyed, obtain a replacement by writing to DETONICS MANUFACTURING CORPORATION, 2500 SEATTLE TOWER, SEATTLE, WASHINGTON 98101. Make a note of your address, and when requesting a manual, include the serial number which is on the bottom of the grip frame of your firearm, or quote the Part Number 7-03-03-001.



I. POCKET 9™ 9MM PARABELLUM FEATURES

Your POCKET 9™ 9 MM Parabellum was built with endurance and reliability in mind. This weapon will provide a lifetime of corrosion-resistant service. Each gun is hand-crafted and thoroughly tested to insure smooth and dependable operation.

1. Smooth Double Action Lockwork
2. Fixed Barrel
3. Ambi. Blocked Firing Pin Safety
4. Combat Style Magazine Catch
5. Hooked and Serrated Trigger Guard
6. Snag Resistant Wide Combat Sights
7. All Parts Contained For Easy Field Stripping
8. Throated and Polished Feed Ramp and Barrel
9. Able to be Cycled With Safety On and Firing Pin Blocked
10. Simple, Strong Design With Few Moving Parts For Many Years of Trouble Free Service
11. 7 round Capacity (Six in Magazine, One in the Chamber)

II. SAFETY PRECAUTIONS

Whether this is your first pistol, or you are an experienced owner, we strongly recommend that you read all the instructions in this manual and follow the safety precautions listed below. ABOVE ALL ELSE, YOU MUST ALWAYS BEAR IN MIND THAT A PISTOL IS A LETHAL WEAPON. SAFETY SHOULD ALWAYS BE YOUR FIRST CONCERN.

1. Always treat your pistol as if it were loaded, even when you think it is not. If you don't intend to shoot at something, don't point the pistol at it. KEEP YOUR FINGER OUT OF THE TRIGGER GUARD UNTIL YOU ARE READY TO SHOOT.
2. Before handing your pistol to someone, or before laying it down, always be sure that it is not loaded.
3. When taking the pistol from someone, always check to be sure that it is not loaded, REGARDLESS OF WHAT YOU HAVE BEEN TOLD BY THE PERSON GIVING IT TO YOU.
4. To eliminate the possibility of accidental discharge while carrying your pistol, always be sure that the chamber is empty and the hammer is forward.
5. DO NOT PUT A ROUND IN THE CHAMBER UNTIL YOU ARE READY TO FIRE. BE SURE TO CLEAR THE CHAMBER AS SOON AS YOU ARE FINISHED FIRING. KEEP THE CHAMBER EMPTY UNTIL YOU ARE AGAIN READY TO FIRE.
6. You and those near you should always wear ear and eye protection.
7. When using targets for practice shooting, be sure that the backstop will prevent the penetration of bullets.
8. BE ABSOLUTELY SURE OF YOUR TARGET BEFORE SQUEEZING THE TRIGGER.
9. If your pistol fails to function properly, NEVER force it. You could damage the pistol or cause an accidental discharge.
10. Do not shoot at objects that could cause a bullet to ricochet. Rocks and water surfaces are particularly dangerous. There is no way to predict where a deflected bullet might travel.

11. Do not fire your pistol in the presence of animals that are unaccustomed to the sound of gunfire.
12. Alcohol and other drugs impair judgment, vision, and dexterity. NEVER USE YOUR GUN WHILE YOU ARE UNDER THE INFLUENCE OF ALCOHOL OR OTHER DRUGS. If you must take medication, consult your physician before using your pistol to assure safe handling and shooting practices.
13. ALWAYS STORE YOUR PISTOL AND AMMUNITION IN SEPARATE, LOCKED CONTAINERS, WELL OUT OF THE REACH OF CHILDREN. MAKE THIS A RULE YOU FOLLOW RELIGIOUSLY.

It is impossible to over-emphasize the importance of being safety-conscious. It is YOUR RESPONSIBILITY as a gun owner to make certain that your gun is used in a reasonable manner and is kept in a safe place when not in use. EVERY FIREARM SHOULD BE TREATED WITH THE UTMOST RESPECT FOR ITS ABILITY TO CAUSE SERIOUS INJURY OR LOSS OF LIFE. PROTECT YOURSELF AND THOSE AROUND YOU BY ALWAYS BEING SAFETY-CONSCIOUS.

III. POCKET 9™ 9MM PARABELLUM FUNCTION AND SAFETY FEATURES

A. DESCRIPTION OF FUNCTION

The pistol is readied for firing by inserting a loaded magazine, pulling the slide all the way to the rear, and then releasing the slide. The backward movement of the slide cocks

the hammer. The forward movement feeds a cartridge into the chamber. Squeezing the trigger disengages the sear from the hammer. The hammer then pivots forward under the force of the mainspring until it strikes the firing pin. The firing pin then strikes the primer in the base of the cartridge, which ignites the main powder charge. This ignition rapidly generates extremely high gas pressure, which drives the bullet down the barrel. The barrel's rifling grooves add a stabilizing spin to the bullet, giving it a more accurate trajectory.

The force generated on the slide breech face automatically starts the slide on its rearward movement. The spent cartridge is carried backward until it is struck by the ejector portion of the slide stop, which propels it through the ejection port. The backward movement of the slide cocks the hammer again, and the forward movement feeds another cartridge into the chamber. The pistol is now ready to fire again. When the last round in the magazine has been fired, the magazine follower activates the slide stop, which holds the slide to the rear.

B. SAFETY LOCK

The safety lock is located on the left and right sides of the slide just below the rear sight notch. When the safety lock is flipped upward, the firing pin is simultaneously moved forward out of the reach of the hammer and locked into place. This not only prevents the hammer from striking the firing pin if the trigger is pulled, but also prevents a discharge of the weapon should it be dropped or receive a sharp blow to the muzzle.

Note: The slide and lockwork can be cycled with the safety on.

To activate the safety lock:

1. Flip the safety lock upward through its full travel. The safety lock is now engaged.

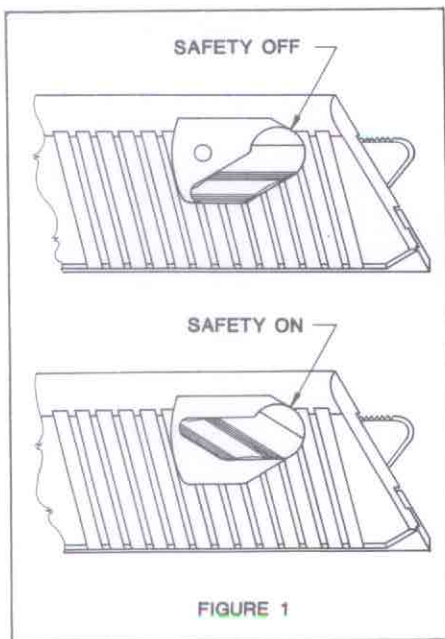


FIGURE 1

C. INERTIAL FIRING PIN

The firing pin is shorter than its housing. It is held in place by a spring and will not protrude beyond the breech-face of the slide until it is forced out by the impact of the hammer. The hammer can reach the firing pin only when the safety lock is in the off or "fire" position. See the previous section on safety lock for function details.

IV. OPERATING INSTRUCTIONS

A. LOADING THE MAGAZINE

USE ONLY HIGH QUALITY AMERICAN MANUFACTURED COMMERCIAL AMMUNITION.

Grasp the magazine as illustrated in Figure 2. Place a cartridge on the magazine follower with the rim of the cartridge just forward of the retaining lips on the magazine. Press the cartridge down and back until its rim comes in contact with the rear of the magazine. Continue loading cartridges until the magazine is full.

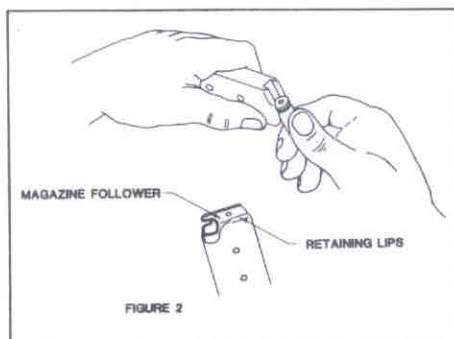


FIGURE 2

B. LOADING THE PISTOL

POINT THE PISTOL IN A SAFE DIRECTION AND KEEP YOUR FINGER OFF THE TRIGGER WHILE LOADING — ACTIVATE SAFETY.

1. Remove empty magazine from pistol (place your hand under magazine to catch it) by pressing the magazine catch, which is located on the left side of the pistol behind the trigger guard. (See figure 3). The magazine should pop out into your hand.
2. Pull the slide back slightly and look through the ejection port to be sure the chamber is empty. (If you pull the slide all the way to the rear, release the cocked hammer by squeezing the trigger ONCE YOU ARE SURE THE CHAMBER IS EMPTY AND THE SAFETY IS ON).
3. Insert loaded magazine into magazine well with cartridge pointed forward. Push the magazine in until you hear the "click" that indicates that the magazine is locked in place.

THE PISTOL IS NOW LOADED.

C. FIRING THE PISTOL

POINT THE PISTOL IN A SAFE DIRECTION AND KEEP YOUR FINGER OFF THE TRIGGER UNTIL YOU ARE READY TO FIRE.

1. To fire the pistol, pull the slide all the way to the rear and then release it. This will fully cock the hammer and feed a cartridge from the magazine into the chamber.

2. Grasp the pistol firmly and rest your index finger on the OUTSIDE of the trigger guard.
3. Disengage the safety lock.
4. Hold the pistol as steady as possible to keep your aim, and gently squeeze the trigger with your index finger. Don't jerk the trigger; it will disturb your aim. Continue firing by releasing the trigger and squeezing it again after each round is fed into the chamber. THE POCKET 9™ 9MM PARABELLUM IS A SEMI-AUTOMATIC PISTOL AND IS IMMEDIATELY LOADED AND READY TO FIRE AFTER EACH SHOT UNTIL THE MAGAZINE IS EMPTY. IF YOU CHOOSE NOT TO FIRE EVERY ROUND IN THE MAGAZINE IN RAPID SUCCESSION, APPLY THE SAFETY LOCK UNTIL YOU ARE READY TO FIRE THE NEXT ROUND.
5. After the last round in the magazine has been fired, the slide will remain to the rear (out of battery). You are now ready to insert another loaded magazine and continue firing.

SAFETY PRECAUTION: If the pistol fails to fire, point the pistol down-range or in a safe direction and wait 30 seconds. A slow ignition should fire within that time. If the round does not fire after 30 seconds, apply the safety, remove the magazine, eject the round in the chamber by pulling the slide all the way to the rear, and examine the primer. If the firing pin indent on the primer is shallow, off center, or non-existent, have the pistol examined by a competent gunsmith. If the indent appears normal (as compared with previously fired rounds), you can assume that the ammunition is faulty. Keep the misfired round away from other live ammunition and empty cartridges; reload with new ammunition and continue firing. Dispose of misfired rounds in accordance with ammunition manufacturer's instructions.

D. UNLOADING

POINT THE PISTOL IN A SAFE DIRECTION AND KEEP YOUR FINGER OFF THE TRIGGER. KEEP YOUR HANDS AWAY FROM THE MUZZLE AND EJECTION PORT AND ACTIVATE SAFETY.

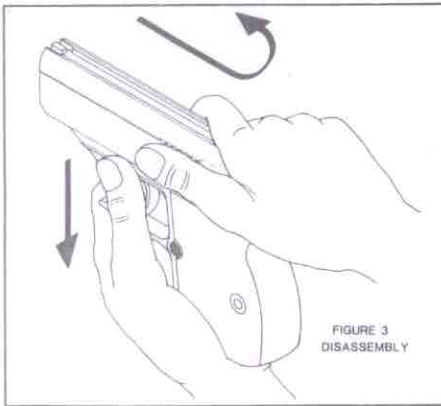
1. Press the magazine catch and allow the magazine to pop into the hand.
2. Pull the slide all the way to the rear to extract the round in the chamber. (The slide would be in this position if every round in the magazine were fired.)
3. CHECK THE CHAMBER TO BE SURE THAT IT IS EMPTY.
4. Let the slide return to its forward position, then squeeze the trigger to release the hammer from its cocked position.
5. The remaining rounds in the magazine can be removed by sliding them forward out of the magazine.

V. MAINTENANCE

Reliable functioning is best realized by maintaining a clean firearm with special attention to the chamber area.

A. STRIPPING FOR CLEANING

1. Activate the safety (Flip Safety Lock Upward).
2. Remove magazine and check to be sure the chamber is empty.
3. Pull straight down on disassembly block.



Note: Block must be pulled all the way down evenly on both sides.

4. While resting the rear of the stock against your hip or thigh, pull the slide all the way to the rear of its cycle. Once the slide is completely rearward, lift the back of the slide up and allow it to slide forward and remove from the receiver.

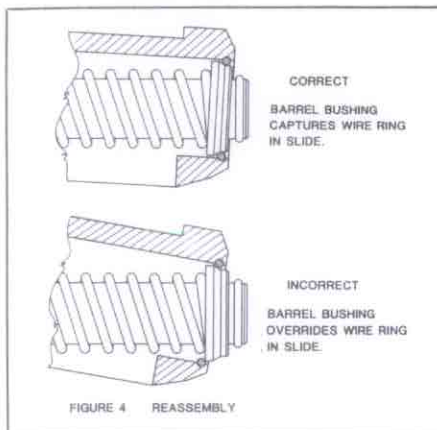
Note: Do not "Dry Fire" the lockwork while the slide is removed from the receiver.

B. REASSEMBLY

Repeat above instructions in reverse order.

Note: When reassembling, make sure that the wire slide ring (inside the muzzle of the slide) is seated correctly on the shoulder of the barrel bushing.

This can be done by applying a slight upward tension on the muzzle of the slide as there will be a tendency for the barrel bushing to override the wire slide ring at the bottom of the muzzle.



C. WHEN TO CLEAN

Clean your pistol as soon as possible after firing. (It will be easier to clean.) If you keep your pistol in storage for extended periods of time, it is still a good idea to clean it once or twice a year. A wet pistol should be cleaned as soon as possible.

D. HOW TO CLEAN

You will need the following materials to clean your pistol: cleaning rod, cotton flannel patches (cut to fit snugly into the bore), a small toothbrush, good quality light gun oil, gun cleaning solution, and bore cleaning brush.

1. Strip for cleaning as described in the previous section.
2. Attach a flannel patch to the cleaning rod and insert it in the breech. Pass the rod and patch down through the barrel, taking care to avoid contact between the rod and muzzle (resultant wear will reduce accuracy). Repeat this procedure, changing patches each time until the last one comes out clean.
3. Inspect the barrel. If it is clean, proceed to step 6. If it is still dirty, proceed to the next step.
4. (The following should be necessary only if the gun has been fired.) Attach the bristle brush to the cleaning rod and dip it into the gun cleaning solution. Thoroughly scrub the barrel by passing the brush completely through before reversing direction. If you try to reverse direction while the brush is in the barrel, it will stick.
5. Repeat steps 2 and 3.
6. With the small toothbrush, clean the rear face of the barrel and the breechface of the slide.
7. Lightly moisten a flannel patch with gun oil and pass it once through the barrel to leave a thin film of oil on the inside surface. If the pistol is to be stored, leave this film of oil. If it is not to be stored, or if it is being removed from storage for use, pass a dry flannel patch through the barrel to remove as much oil as possible.
8. Check to be certain that no flannel shreds or brush bristles have become lodged in any part of the pistol. Moisten a flannel patch with gun oil and wipe down all the external surfaces of the pistol.
9. Lubricate the pistol by placing a few drops of gun oil on the barrel and the slide frame rails.
10. Reassemble your gun as described in the previous section.

E. STORING YOUR PISTOL

ALWAYS STORE YOUR PISTOL AND AMMUNITION IN SEPARATE, LOCKED CONTAINERS, WELL OUT OF THE REACH OF CHILDREN. UNLOAD YOUR PISTOL BEFORE STORAGE.

F. SERVICE AND REPAIR

In the event that your pistol should require adjustment or repair, it can be sent back to the factory. Your local dealer, however, can help you find genuine Detonics spare parts should you need them. Detailed views of the pistol and a parts list appear on the last page of this manual to provide necessary identification. NOT ALL PARTS ARE AVAILABLE FOR SALE. REPAIR AND INSTALLATION OF THOSE PARTS MUST BE MADE AT THE FACTORY. When ordering parts, please use the names given on the parts list along with caliber, model name, and serial number of your gun.

IMPORTANT: IF UNAUTHORIZED ADJUSTMENTS ARE MADE, OR UNAUTHORIZED PARTS ARE USED, DETONICS® WILL NOT ASSUME RESPONSIBILITY FOR THE FUNCTION OF THE PISTOL.

Federal and state laws and local ordinances govern the transfer and transportation of firearms. Your local dealer can advise you as regards the shipment of your pistol to the factory.

BEFORE SHIPPING YOUR PISTOL, REMEMBER THESE IMPORTANT POINTS:

1. Remove the magazine and MAKE CERTAIN THE PISTOL IS NOT LOADED.
2. Write a letter explaining the nature of the problem in as much detail as possible. Include the model name and serial number and your return address. Enclose the letter with your pistol in a well-padded package. Be sure to include ALL MAGAZINES.
3. Do not send presentation boxes, accessories or ammunition.
4. DO NOT INDICATE THE CONTENTS, OR INCLUDE "DETONICS" IN THE ADDRESS ON THE PACKAGE. THIS WILL REDUCE THE CHANCES OF YOUR GUN BEING STOLEN OR "LOST" ON ITS WAY TO THE FACTORY.
5. INSURE THE PACKAGE CONTENTS AGAINST LOSS OR THEFT.

WHICH OF THE FOLLOWING MOST INFLUENCED YOUR DECISION TO PURCHASE THE POCKET 9™ 9MM PARABELLUM?

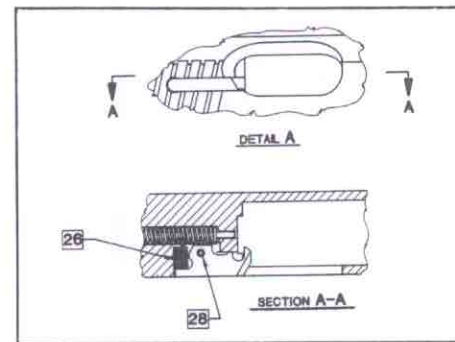
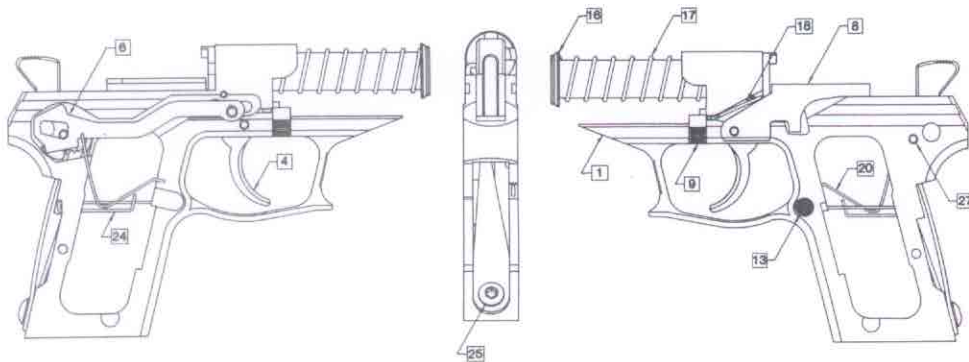
- Dealer Recommendation
- A Friend
- Detonics Literature
- Experience with other Detonics Products

Advertisement In _____

Product Review In _____

Trade Show (which) _____

Comments on My Purchase _____



VI. STATEMENT OF LIABILITY

This gun is classified as a FIREARM or DANGEROUS WEAPON and is surrendered by Detonics Manufacturing Corporation with the express understanding that it assumes no liability for its re-sale or safe handling. Detonics Mfg. Corp. assumes no responsibility for physical injury or property damage resulting from either intentional or accidental discharge, or for the function of any gun subjected to influences beyond their control, and will honor no claims which may result from careless handling, unauthorized adjustments, defective or improper ammunition, corrosion or neglect.

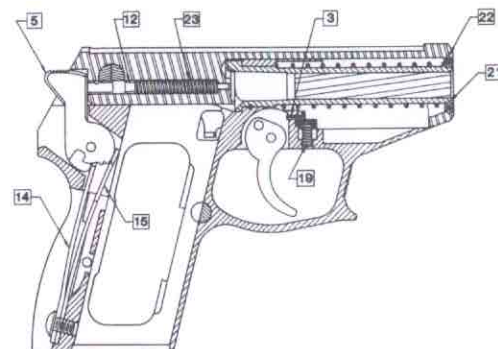
For your protection, examine your gun carefully at the time of purchase, then promptly fill out and mail to Detonics Mfg. Corp. the registration card which accompanies all new guns. Be sure to fill in your pistol's serial number.

VII. POCKET 9™ 9MM PARABELLUM RECORD

DETONICS MODEL _____
 SERIAL NUMBER _____
 CALIBER _____
 PURCHASED FROM _____
 DATE PURCHASED _____
 PURCHASE PRICE _____

VIII. PARTS LIST

1. Receiver-Barrel Assembly
2. Slide
3. Slide Block Pin
4. Trigger
5. Hammer
6. Disconnecter Assy.
7. Extractor
8. Slide Stop Assy.
9. Slide Block
10. Left Hand Safety Assy.
11. Right Hand Safety
12. Firing Pin
13. Magazine Catch
14. Mainspring
15. Sear
16. Barrel Bushing
17. Recoil Spring
18. Slide Stop Spring
19. Slide Block Spring
20. Disconnecter Spring
21. Barrel Ring Spring
22. Slide Ring Spring
23. Firing Pin Spring
24. Magazine Catch Spring
25. Mainspring-Sear Screw
26. Extractor Spring
27. Hammer Pin
28. Extractor Pin
29. Grip Screw
30. Right Hand Grip Assy.
31. Left Hand Grip Assy.
32. Magazine Assy.



IX. LIMITED WARRANTY

Detonics Manufacturing Corporation warrants its firearms for 5 years to the original owner recorded on the warranty card, against defects in workmanship and materials, existing at the time of shipment, provided the warranty card is filled out and returned to the factory within 10 days of purchase or receipt. Return of warranty card is required.

Detonics Manufacturing Corporation's warranty obligations are limited to repair or replacement of defective parts provided written notice is given within 5 years of date of purchase or receipt. Manufacturer assumes no liability for any incidental or consequential damages. Detonics firearms products are designed and manufactured for use with factory loaded American made ammunition. Manufacturer excludes from this warranty damage resulting from abuse or misuse of the product. All warranty rights are terminated when unauthorized modifications are made or if the product is used in a manner inconsistent with manufacturer's instructions.

This warranty is expressly in lieu of any other expressed or implied warranties.

Note: This warranty gives you specific legal rights, and you may also have other rights which vary from state to state. Some states do not allow limitations on how long an implied warranty lasts, so the above limitations may not apply to you. Some states do not allow the exclusion or limitation of incidental or consequential damages, so the above may not apply to you.

Products serviced under this warranty must be unloaded and shipped prepaid to:

DMC
 Service Department
 2500 Seattle Tower
 Third & University
 Seattle, WA 98101

Please Return This Card To Establish the Effective Date of Your Warranty

OWNER

Name _____
 Address _____
 City _____
 State _____ Zip _____
 Model _____

Date Purchased _____

DEALER

Name _____
 Address _____
 City _____
 State _____ Zip _____
 Dealer No. _____

Serial No. _____

I certify that I have read and understand all of the Safety instructions in this booklet.

Send to: Detonics Manufacturing Corporation
 2500 Seattle Tower
 Seattle, WA 98101